



US00D752783S

(12) **United States Design Patent**
Whang et al.

(10) **Patent No.:** **US D752,783 S**
(45) **Date of Patent:** **** Mar. 29, 2016**

- (54) **REAR LAMP FOR AN AUTOMOBILE**
- (71) Applicant: **Nissan Motor Co., Ltd.**, Yokohama, Kanagawa (JP)
- (72) Inventors: **Seonwook Whang**, Kanagawa (JP); **Yoshihiro Okada**, Kanagawa (JP)
- (73) Assignee: **Nissan Motor Co., Ltd.**, Yokohama (JP)
- (**) Term: **14 Years**
- (21) Appl. No.: **29/502,830**
- (22) Filed: **Sep. 19, 2014**

- (30) **Foreign Application Priority Data**
Mar. 19, 2014 (JP) 2014-005803
- (51) **LOC (10) Cl.** **26-06**
- (52) **U.S. Cl.**
USPC **D26/28**
- (58) **Field of Classification Search**
USPC D26/28-36; 362/459-468, 475-478, 362/485-487
See application file for complete search history.

- (56) **References Cited**
U.S. PATENT DOCUMENTS
D526,427 S * 8/2006 Morioka D26/28
D550,380 S * 9/2007 Lin D26/28
D552,769 S * 10/2007 Leclercq D26/28
D565,211 S * 3/2008 Haller et al. D26/28
D595,880 S * 7/2009 Lamm D26/28
D596,766 S 7/2009 Yoneyama
D602,616 S * 10/2009 Okamura et al. D26/28
D605,793 S * 12/2009 Weil D26/28

(Continued)

- FOREIGN PATENT DOCUMENTS
JP D1271830 S 5/2007
JP D1333896 S 6/2008

(Continued)

Primary Examiner — Marcus Jackson
(74) *Attorney, Agent, or Firm* — Global IP Counselors, LLP

(57) **CLAIM**
The ornamental design for a rear lamp for an automobile, as shown and described.

DESCRIPTION

FIG. 1 is a front elevational view of a rear lamp for an automobile in accordance with a first embodiment of our new design;

FIG. 2 is a rear elevational view of the rear lamp in accordance with the first embodiment of our new design of FIG. 1;

FIG. 3 is a top plan view of the rear lamp in accordance with the first embodiment of our new design of FIGS. 1 and 2;

FIG. 4 is a bottom plan view of the rear lamp in accordance with the first embodiment of our new design of FIGS. 1 to 3;

FIG. 5 is a right side elevational view of the rear lamp in accordance with the first embodiment of our new design of FIGS. 1 to 4;

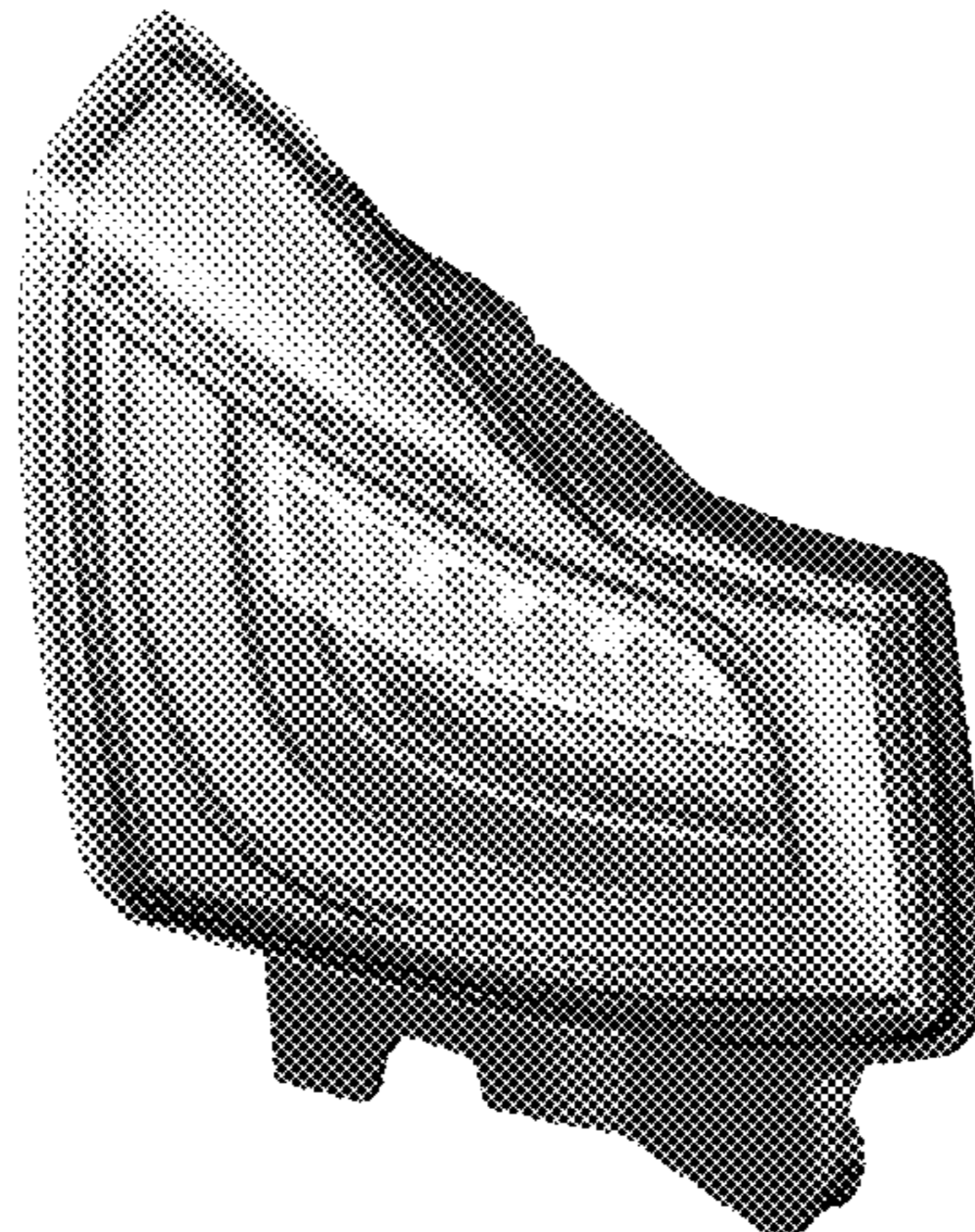
FIG. 6 is a left side elevational view of the rear lamp in accordance with the first embodiment of our new design of FIGS. 1 to 5; and,

FIG. 7 is a front side perspective view of the rear lamp in accordance with the first embodiment of our new design of FIGS. 1 to 6.

A second embodiment of our new design is identical to the first embodiment except that the rear elevational view of FIG. 2 forms no part of the claimed design. In addition, in the second embodiment, the appearance of the rear side structures and inside side structures of the rear lamp as seen in FIGS. 1-7 is for purpose of illustrating the boundaries of the exterior surface of the outside of the rear lamp, and forms no part of the claimed design.

Our new design includes the mirror image of the rear lamp shown in FIGS. 1 to 7.

1 Claim, 7 Drawing Sheets



(56)

References Cited

FOREIGN PATENT DOCUMENTS

U.S. PATENT DOCUMENTS						
				JP	D1346162 S	12/2008
				JP	D1358417 S	5/2009
D635,698 S *	4/2011	Jeong	D26/28	JP	D1389691 S	6/2010
D637,743 S *	5/2011	Cho	D26/28	JP	D1403173 S	12/2011
D652,550 S *	1/2012	Cho	D26/28	JP	D1444733 S	6/2012
D680,249 S	4/2013	Iwai et al.		JP	D1418203 S	7/2012
D681,240 S *	4/2013	Hamilton et al.	D26/28	JP	D1419130 S	7/2012
D681,245 S *	4/2013	Colborne	D26/28	JP	D1509064 S	10/2014
D690,447 S	9/2013	Endo et al.		JP	D1501254 S	6/2015
D696,445 S	12/2013	Ishizuka et al.				
D714,985 S *	10/2014	Moon	D26/28			

* cited by examiner

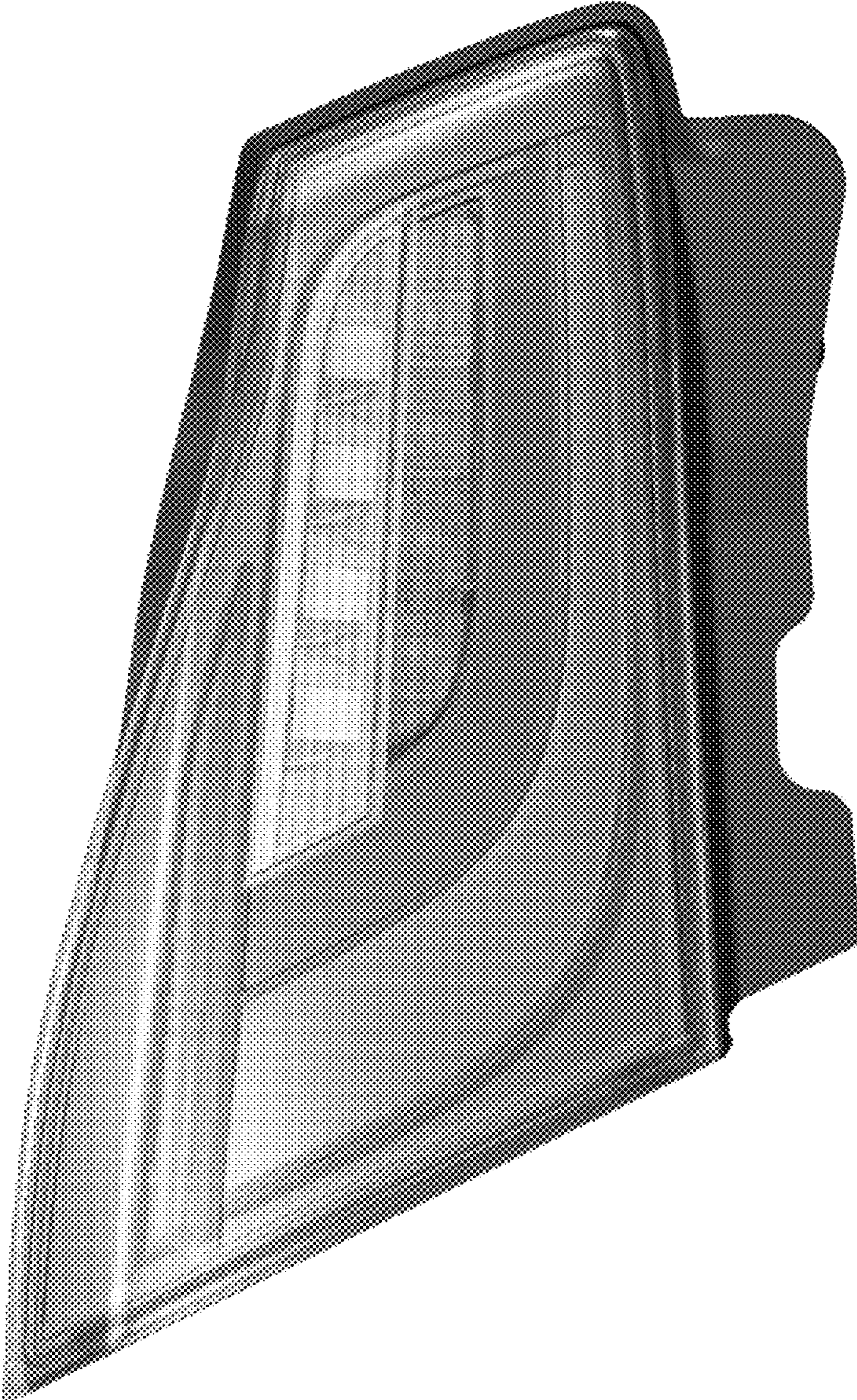


FIG. 1

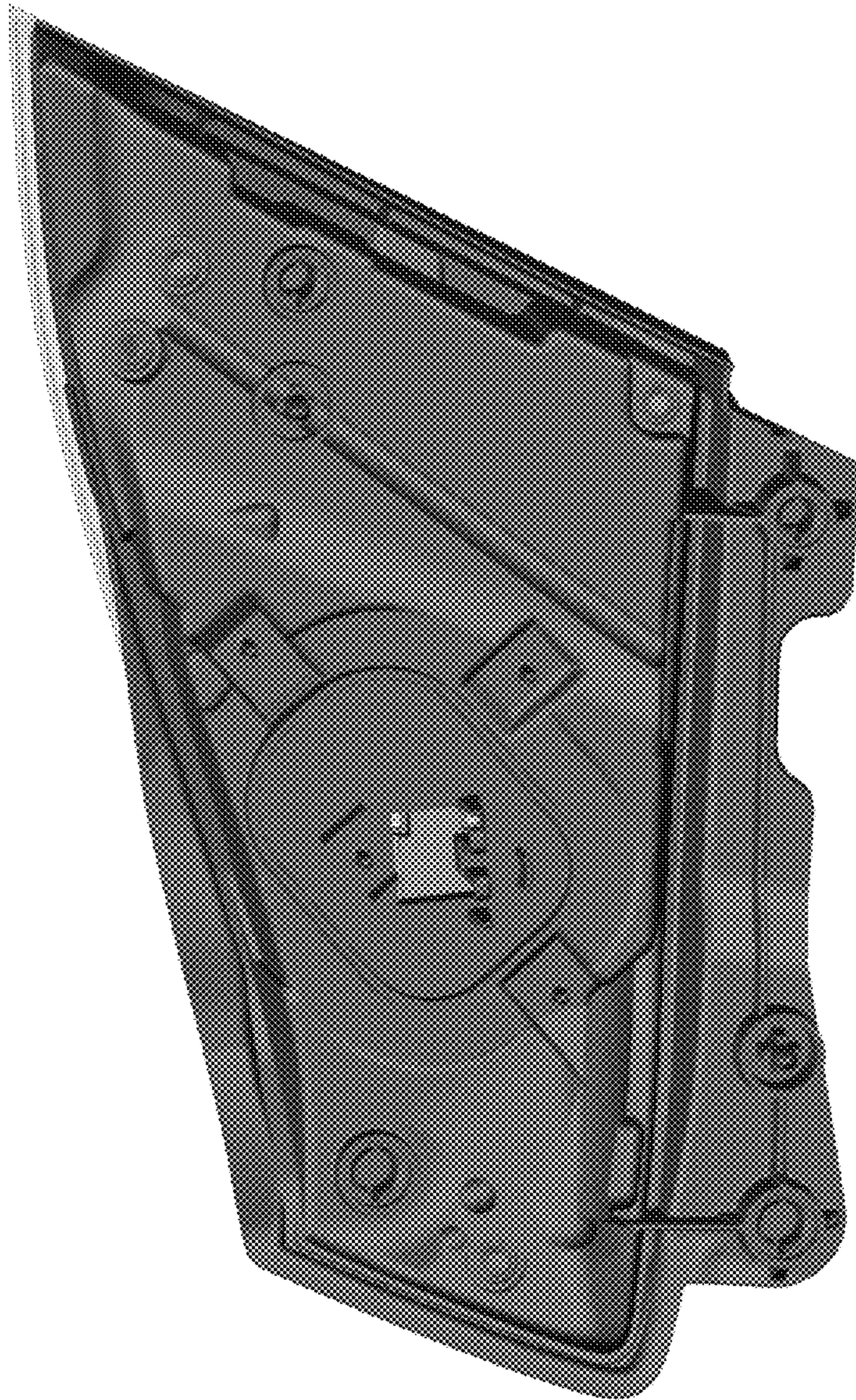


FIG. 2

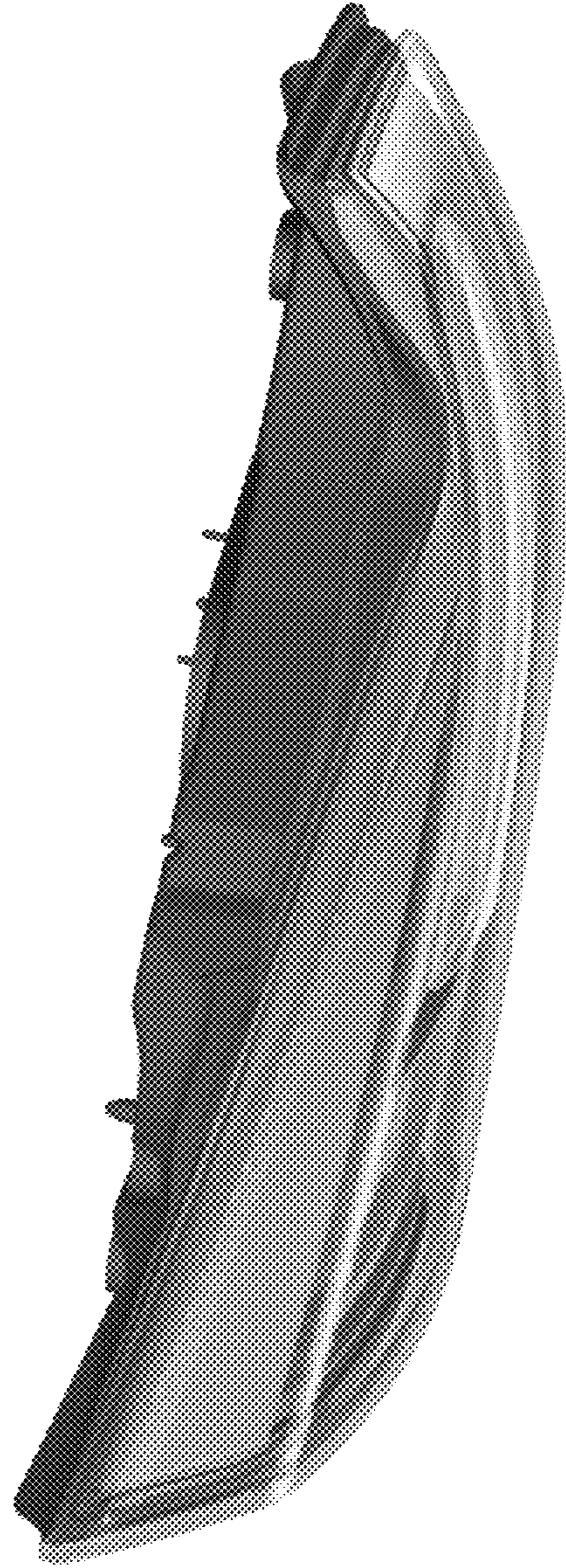


FIG. 3

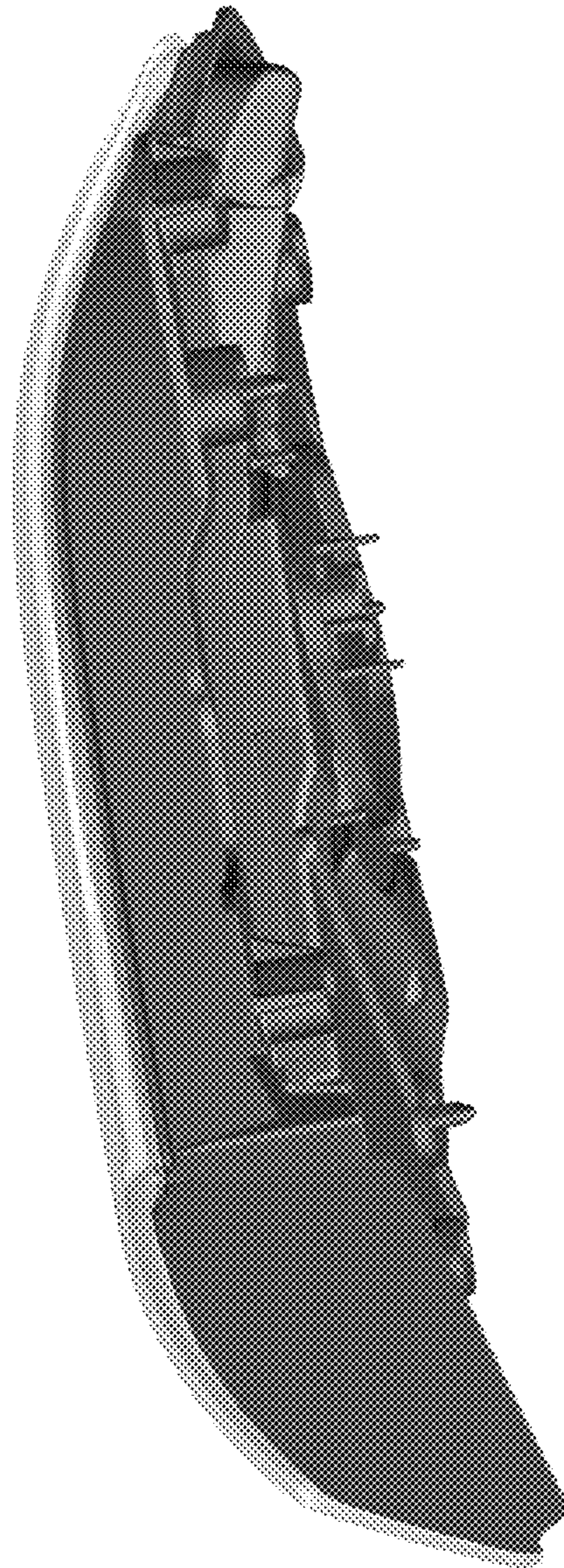


FIG. 4

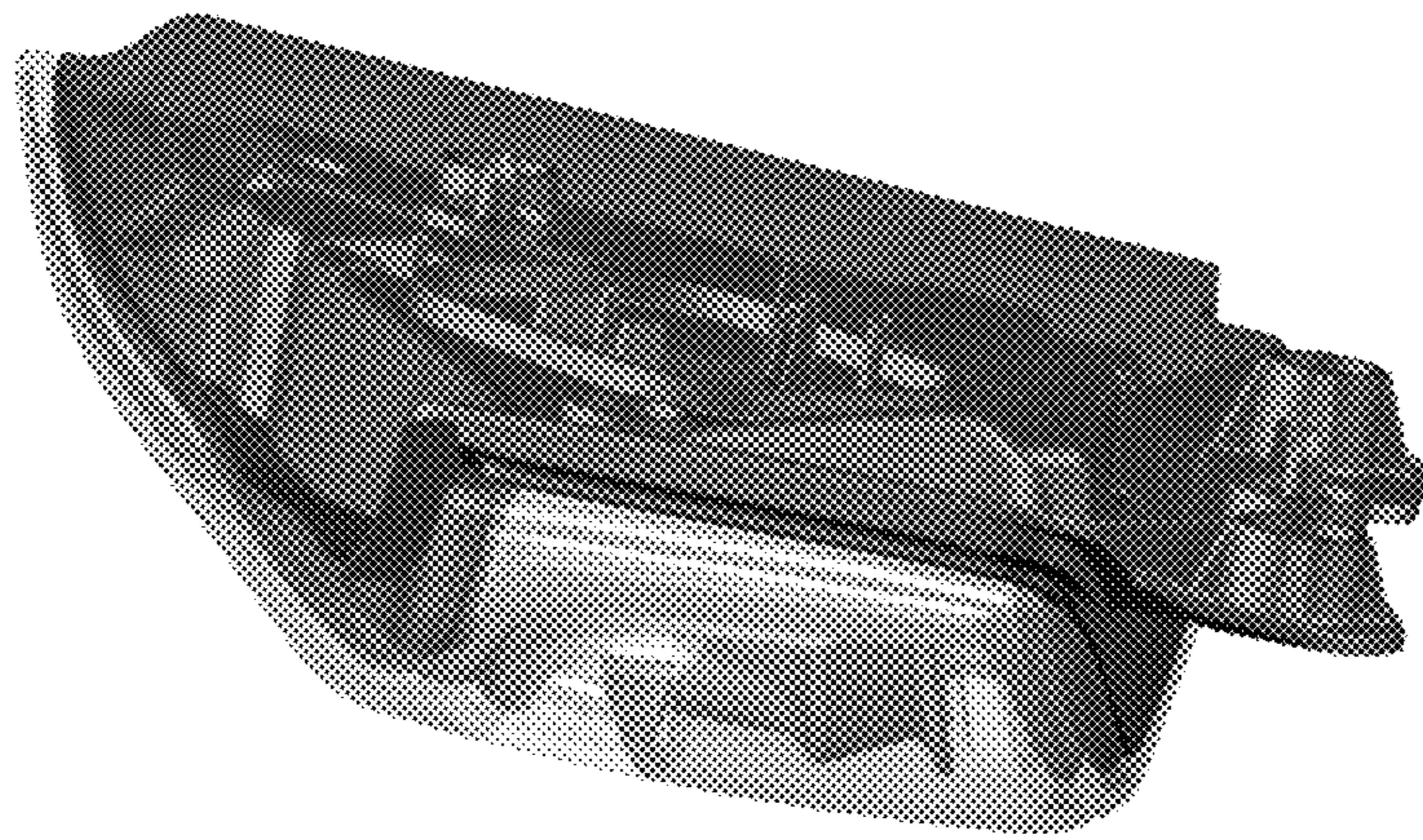


FIG. 5

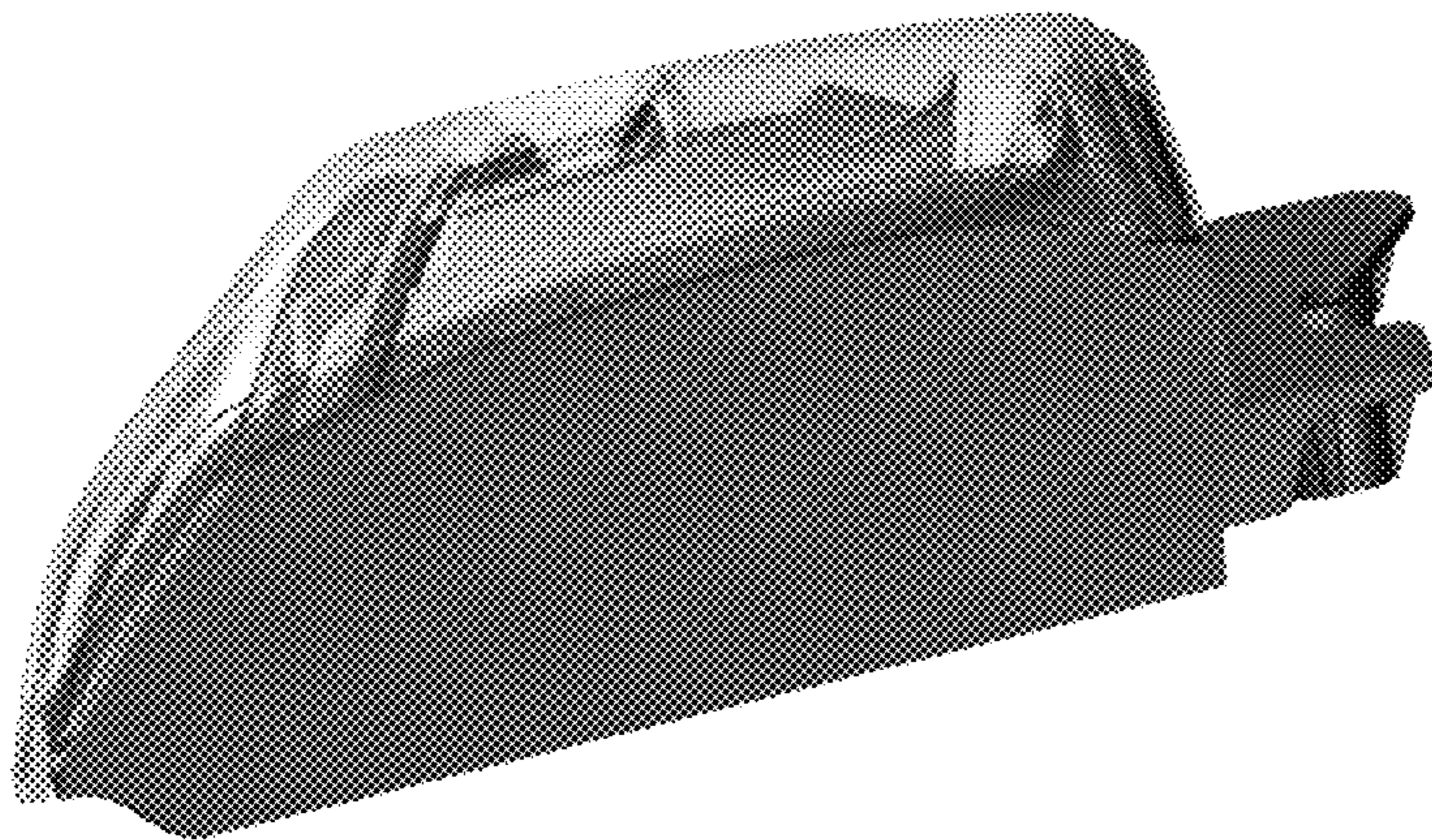


FIG. 6



FIG. 7