



US00D752779S

(12) **United States Design Patent**
Coleiny

(10) **Patent No.:** **US D752,779 S**

(45) **Date of Patent:** **** *Mar. 29, 2016**

(54) **LIGHT GUIDE FOR AN LED LAMP**

(71) Applicant: **Golshan Coleiny**, Rockport, MA (US)

(72) Inventor: **Golshan Coleiny**, Rockport, MA (US)

(73) Assignee: **OSRAM SYLVANIA Inc.**, Wilmington, MA (US)

(*) Notice: This patent is subject to a terminal disclaimer.

(**) Term: **14 Years**

(21) Appl. No.: **29/454,152**

(22) Filed: **May 7, 2013**

(51) **LOC (10) Cl.** **26-06**

(52) **U.S. Cl.**
USPC **D26/4**

(58) **Field of Classification Search**
USPC D26/1-5; 313/313, 315, 316, 317, 318,
313/493; 315/52, 53, 56, 57, 58
See application file for complete search history.

(56) **References Cited**

U.S. PATENT DOCUMENTS

6,679,621	B2	1/2004	West et al.	
6,803,607	B1	10/2004	Chan et al.	
7,111,972	B2	9/2006	Coushaine et al.	
D576,317	S *	9/2008	Jensen	D26/5
D589,176	S *	3/2009	Huang et al.	D26/4

D599,491	S *	9/2009	Luo	D26/4
2002/0136027	A1	9/2002	Hansler et al.	
2004/0228131	A1	11/2004	Minano et al.	
2005/0225988	A1	10/2005	Chaves et al.	
2009/0129230	A1	5/2009	Grotsch	
2010/0097821	A1	4/2010	Huang et al.	
2010/0208488	A1	8/2010	Luo	
2011/0089861	A1	4/2011	Zeng et al.	
2012/0147611	A1	6/2012	Huang et al.	

FOREIGN PATENT DOCUMENTS

WO 2010079436 A1 7/2010

* cited by examiner

Primary Examiner — Marcus Jackson

(74) *Attorney, Agent, or Firm* — Edward S. Podszus

(57) **CLAIM**

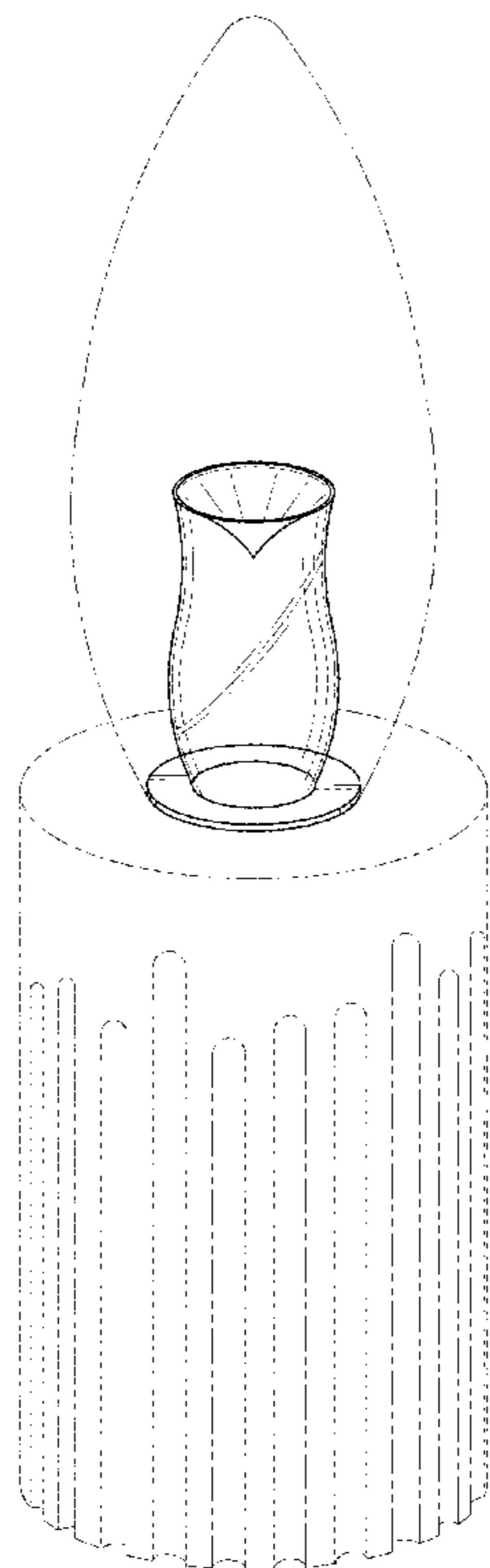
The ornamental design for a light guide for an LED lamp, as shown and described.

DESCRIPTION

FIG. 1 is a perspective view of the ornamental design for the light guide of an LED lamp;
FIG. 2 is a front elevational view thereof;
FIG. 3 is a side elevational view thereof;
FIG. 4 is a top view thereof; and,
FIG. 5 is a bottom view thereof; wherein no part of the design is visible.

The broken line disclosure is for environmental purposes only, and does not form a part of the claimed design.

1 Claim, 4 Drawing Sheets



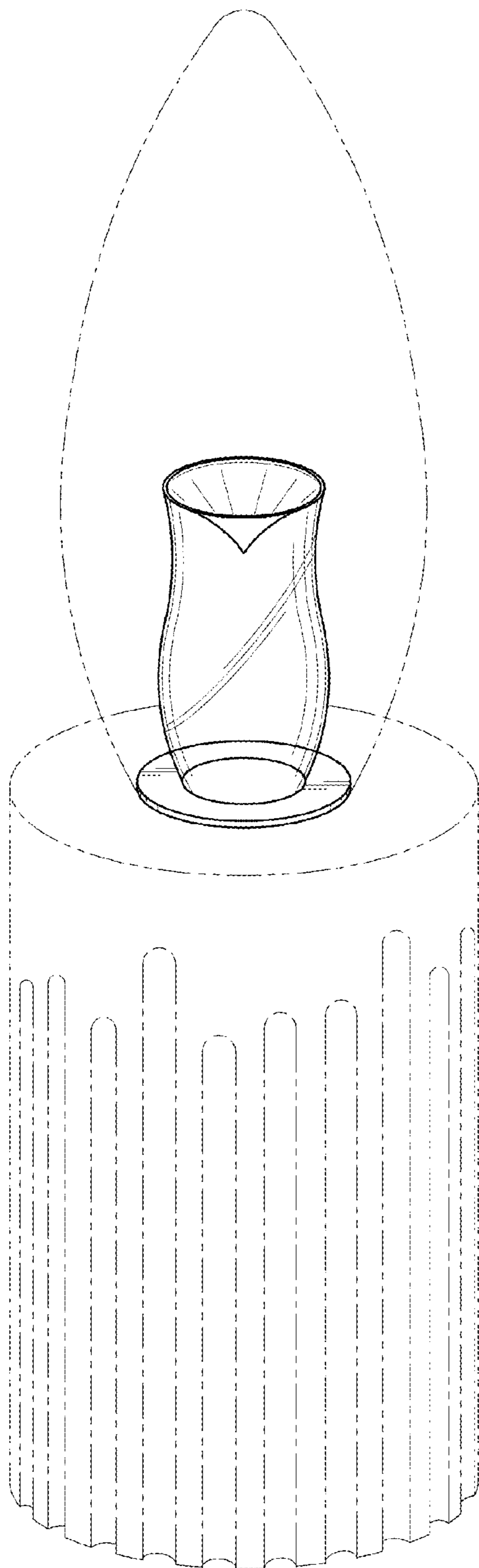


FIG. 1

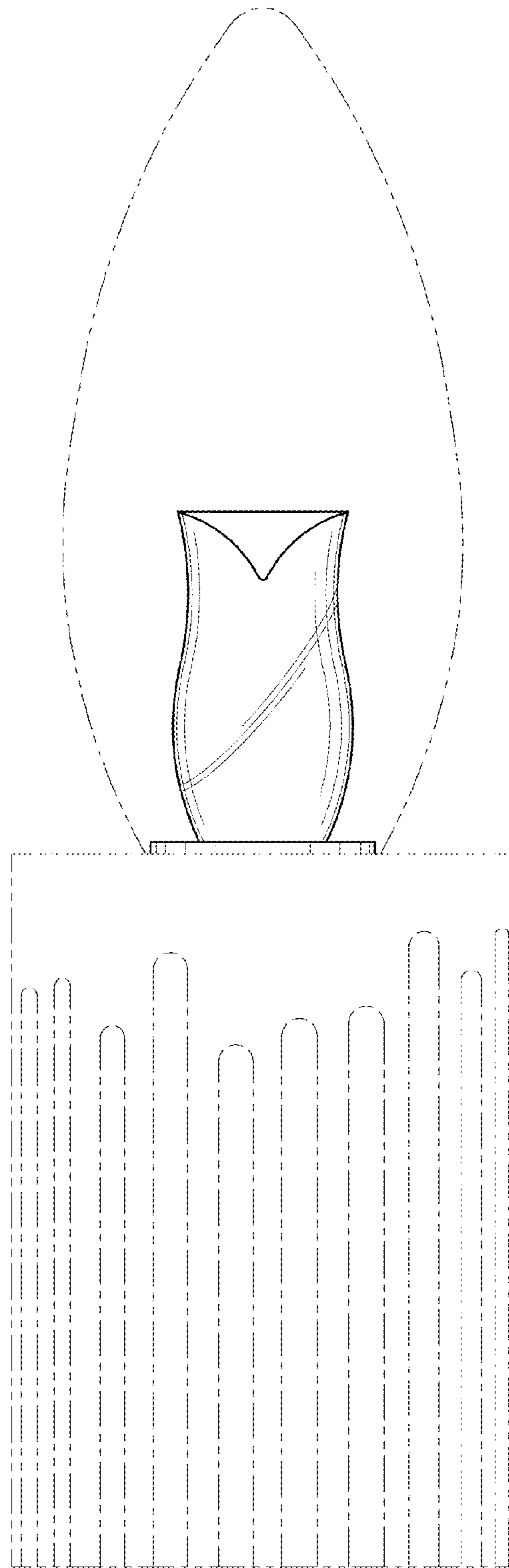


FIG. 2

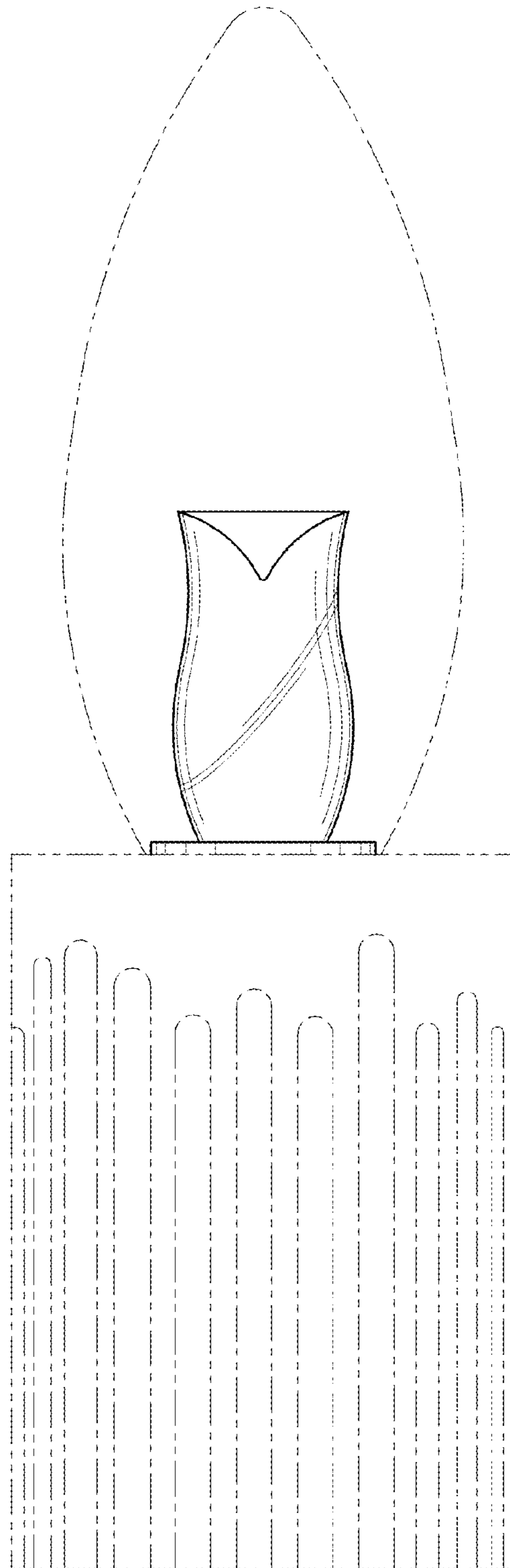


FIG. 3

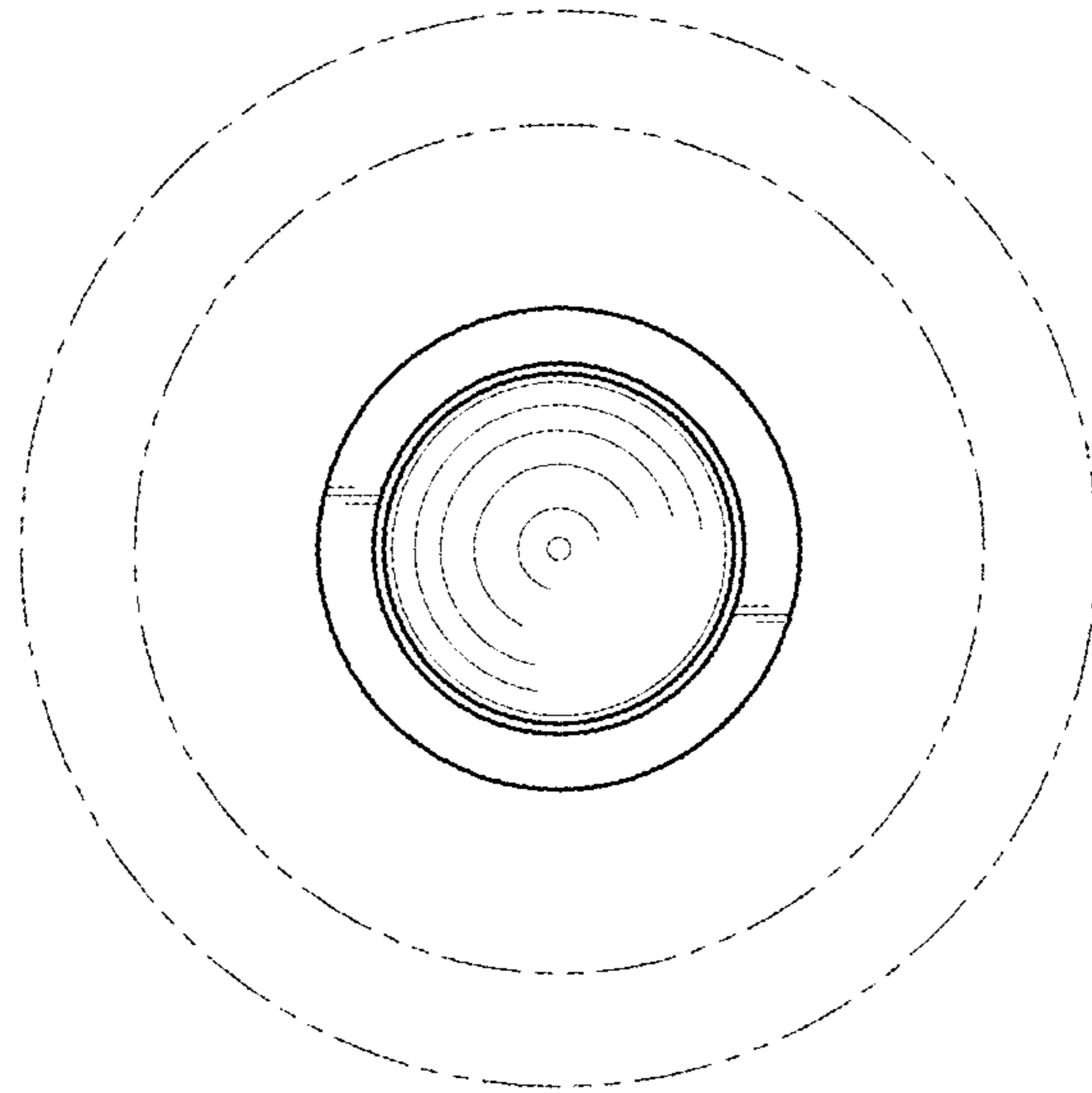


FIG. 4

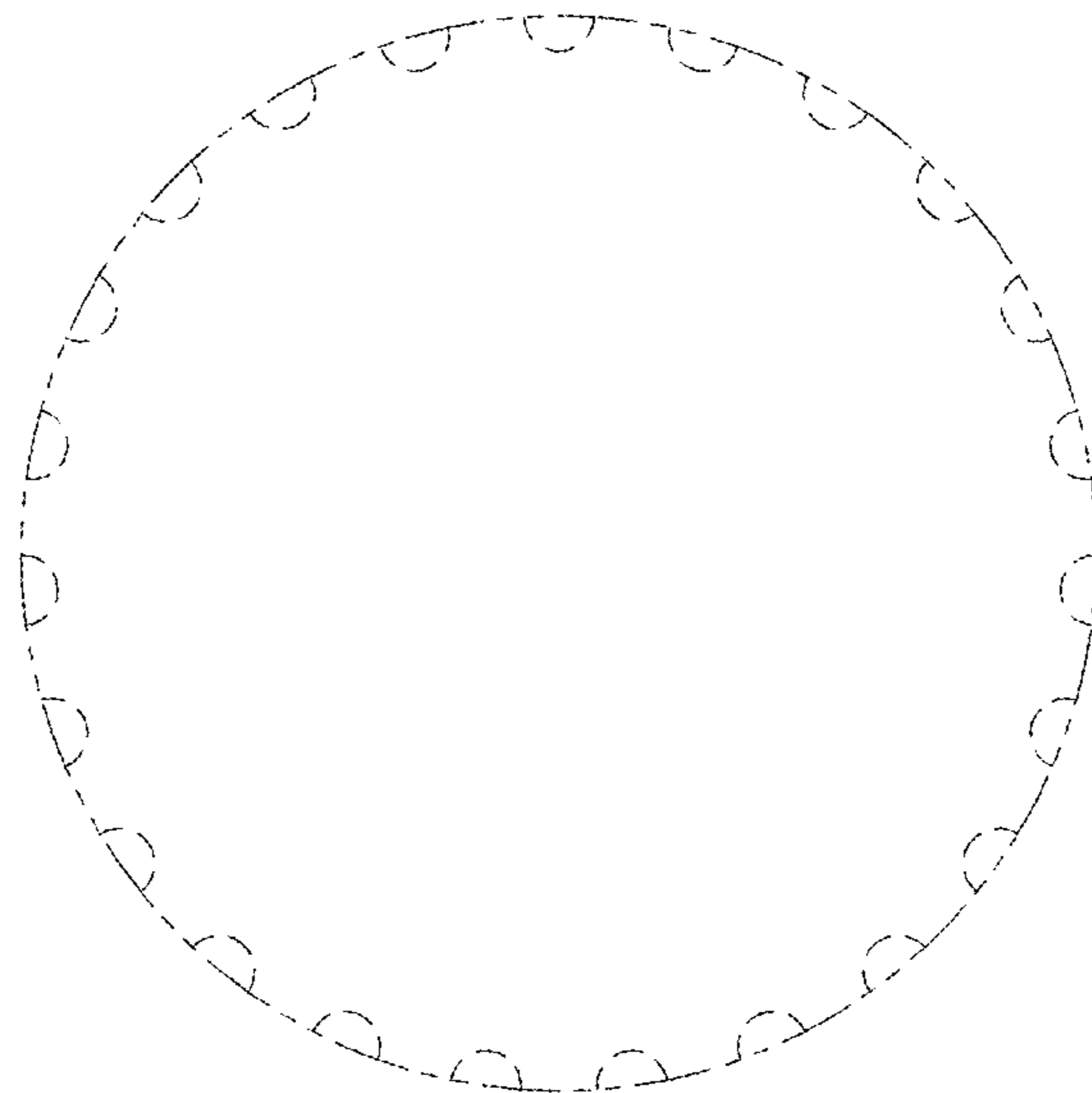


FIG. 5