

US00D752778S

(12) **United States Design Patent**
Taylor

(10) **Patent No.:** **US D752,778 S**
(45) **Date of Patent:** **** Mar. 29, 2016**

- (54) **LED LAMP**
- (71) Applicant: **TADD, LLC**, Cary, IL (US)
- (72) Inventor: **Timothy Taylor**, Barrington, IL (US)
- (73) Assignee: **TADD, LLC**, Cary, IL (US)
- (**) Term: **14 Years**
- (21) Appl. No.: **29/519,167**
- (22) Filed: **Mar. 3, 2015**
- (51) **LOC (10) Cl.** **26-04**
- (52) **U.S. Cl.**
USPC **D26/2**
- (58) **Field of Classification Search**
USPC D26/1-4, 113, 118; 313/313, 315, 316,
313/317, 318, 493; 315/52, 53, 56, 57, 58;
D13/179
CPC F21K 9/135; F21K 9/1375; F21K 9/13
See application file for complete search history.

D706,462 S *	6/2014	Lu	D26/2
D712,074 S *	8/2014	Rupp	D26/2
D723,193 S *	2/2015	Taylor	D26/2
D723,194 S *	2/2015	Taylor	D26/2
D728,834 S *	5/2015	Taylor	D26/2
D734,879 S *	7/2015	Chen	D26/2
D734,884 S *	7/2015	Rupp	D26/2
D743,061 S *	11/2015	Liu	D26/2
D743,585 S *	11/2015	Ding	D26/2
2014/0098528 A1 *	4/2014	Taylor	F21V 29/02 362/227
2014/0098568 A1 *	4/2014	Taylor	F21V 3/0436 362/650

* cited by examiner

Primary Examiner — Ian Simmons
Assistant Examiner — Harold Blackwell, II
(74) *Attorney, Agent, or Firm* — James R. Foley; Clark Hill PLC

(57) **CLAIM**
The ornamental design for an LED lamp, as shown and described.

DESCRIPTION

FIG. 1 is a perspective view of the LED lamp;
FIG. 2 is a side view thereof;
FIG. 3 is a top view thereof; and,
FIG. 4 is a bottom view thereof.
The broken lines in the drawings illustrate portions of the LED lamp which form no part of the claimed design.

1 Claim, 4 Drawing Sheets

- (56) **References Cited**
U.S. PATENT DOCUMENTS
- | | | | | |
|--------------|---------|--------|-------|-------|
| D602,182 S * | 10/2009 | Foo | | D26/2 |
| D623,777 S * | 9/2010 | Moon | | D26/2 |
| D642,316 S * | 7/2011 | Zheng | | D26/2 |
| D663,049 S * | 7/2012 | Wada | | D26/2 |
| D673,698 S * | 1/2013 | Taylor | | D26/2 |

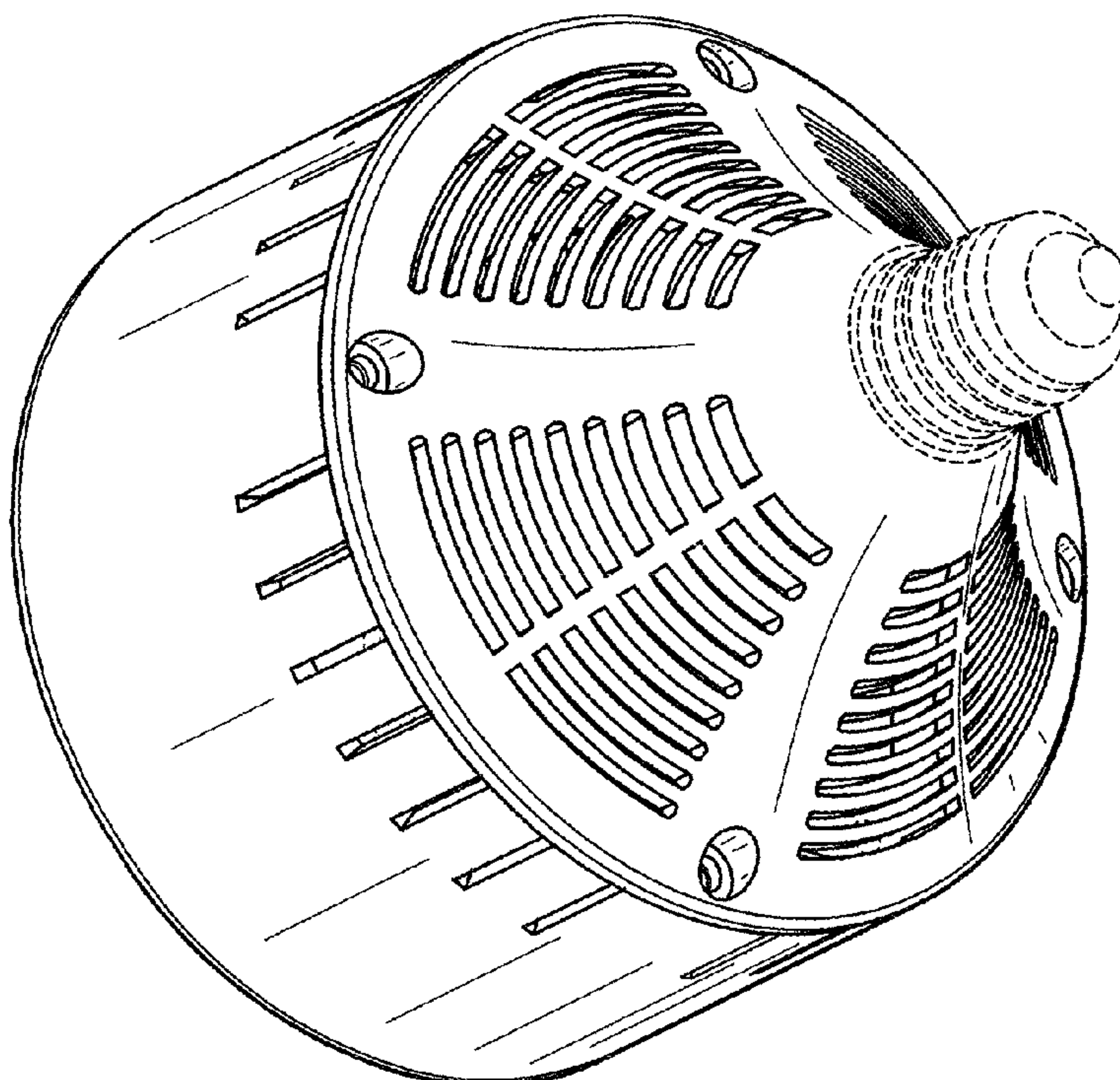


FIG. 1

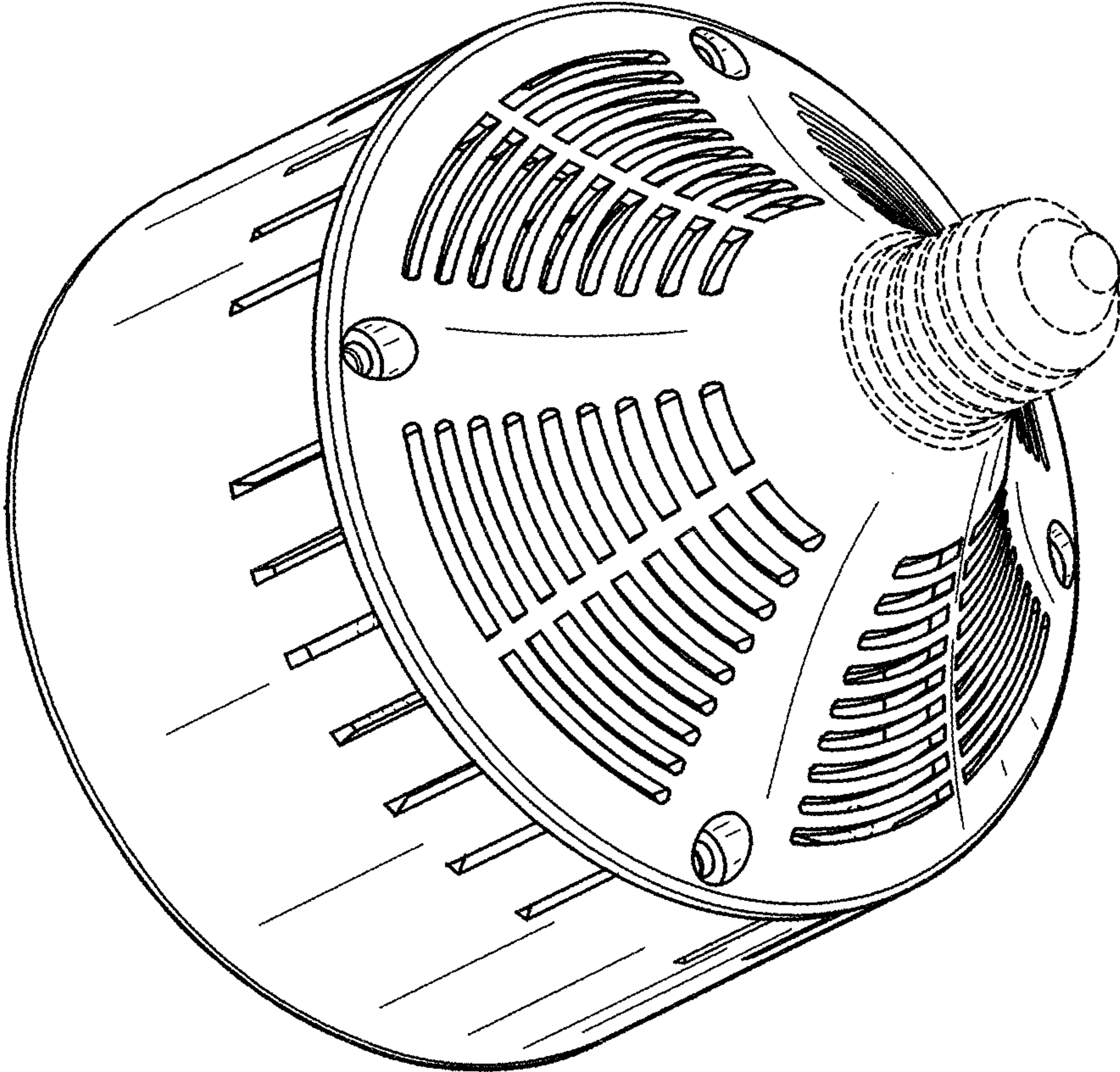


FIG. 2

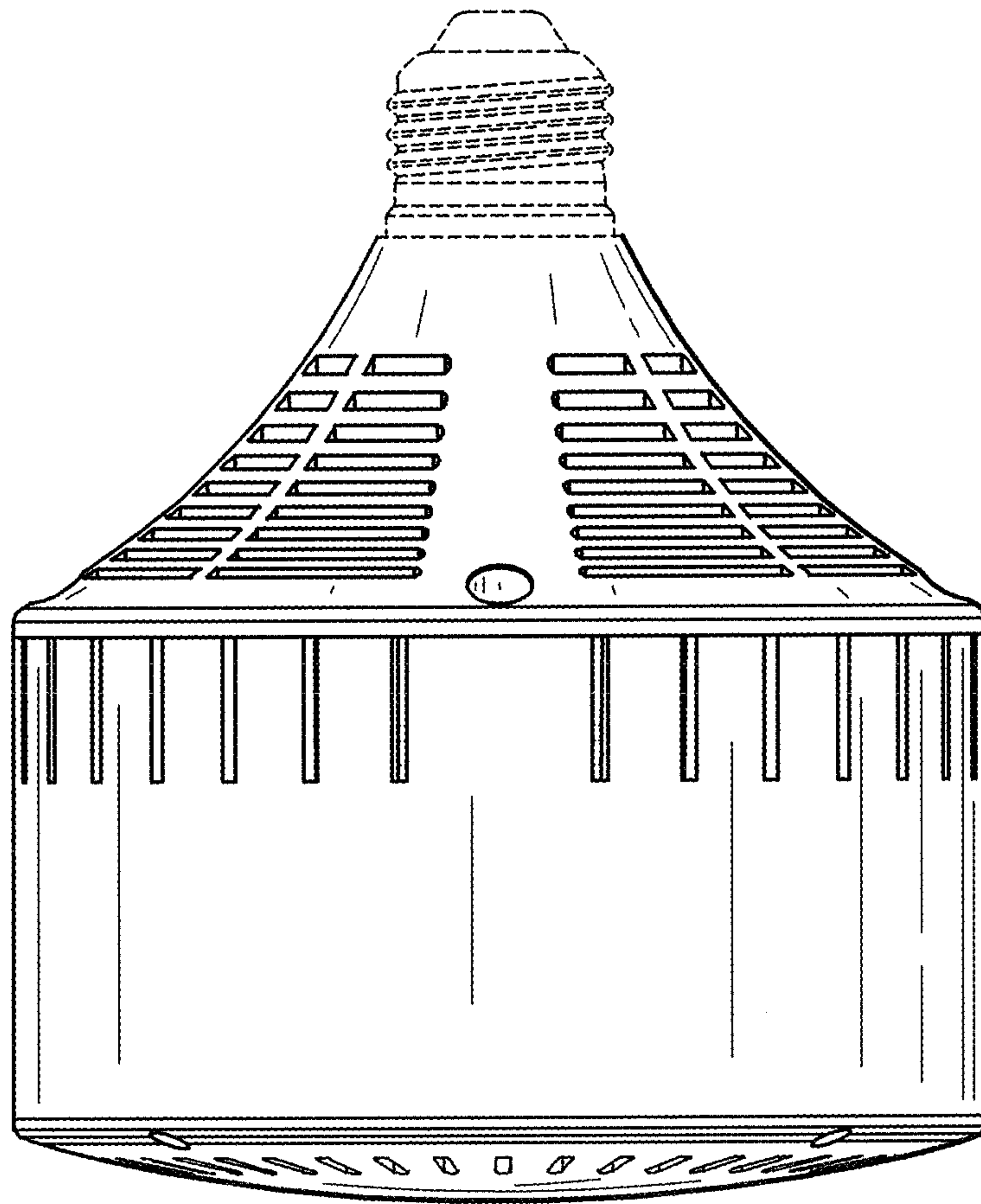


FIG. 3

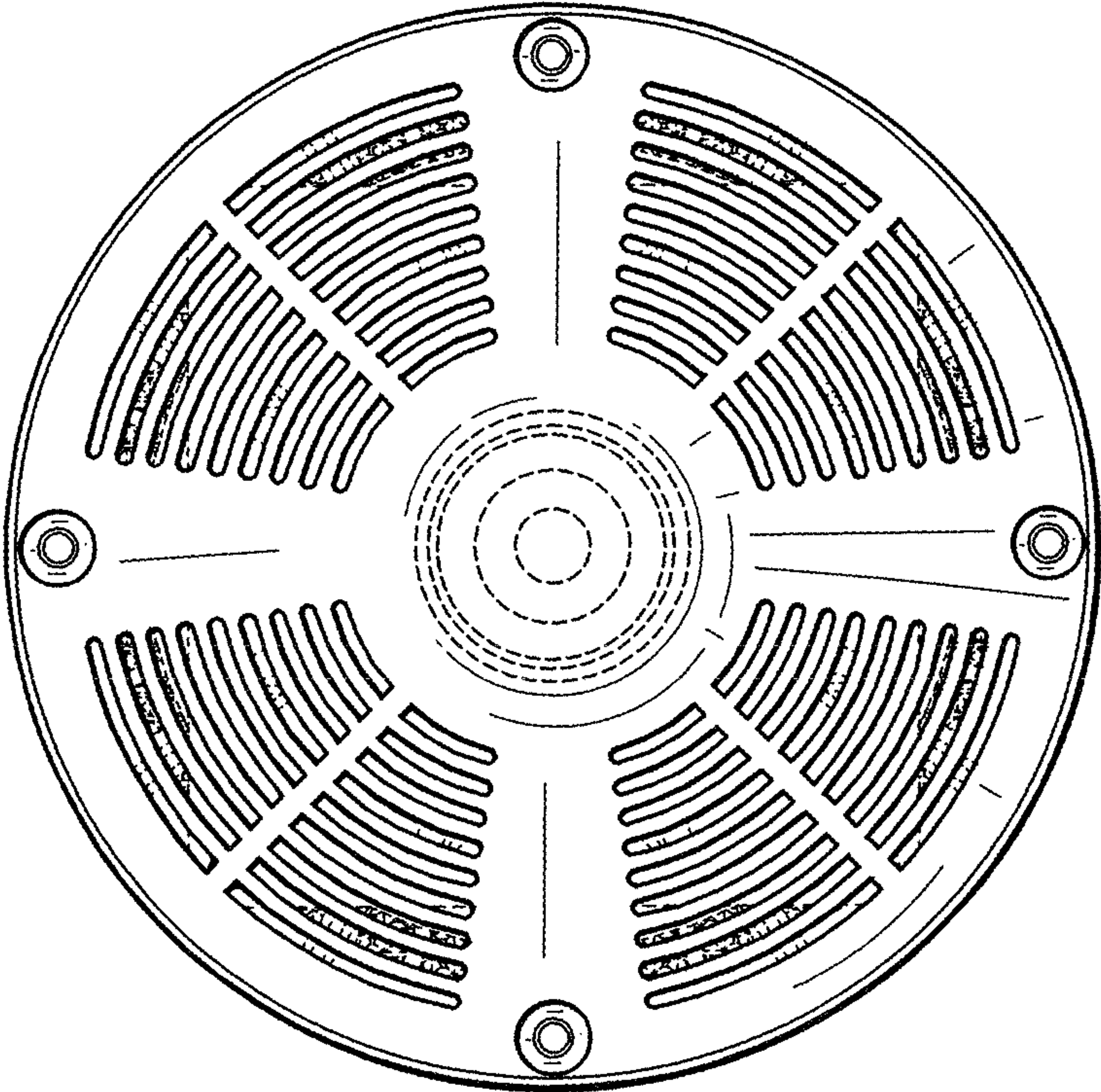


FIG. 4

