



US00D752775S

(12) **United States Design Patent**  
**Stacey et al.**

(10) **Patent No.:** **US D752,775 S**  
(45) **Date of Patent:** **\*\* Mar. 29, 2016**

(54) **STANCHION BASE**

(71) Applicant: **M-R Products, Inc.**, Copemish, MI (US)  
(72) Inventors: **Dennis Stacey**, Copemish, MI (US);  
**Maree Mulvoy**, Copemish, MI (US)

(73) Assignee: **M-R Products, Inc.**, Copemish, MI (US)

(\*\*) Term: **14 Years**

(21) Appl. No.: **29/490,682**

(22) Filed: **May 12, 2014**

(51) **LOC (10) Cl.** ..... **25-01**

(52) **U.S. Cl.**  
USPC ..... **D25/133**

(58) **Field of Classification Search**  
USPC ..... D25/133  
CPC ..... E04H 17/22; E04H 12/22; E04H 12/2238;  
E04H 12/2246; E04H 12/2253; E04H  
12/2269; E04C 3/00

See application file for complete search history.

(56) **References Cited**

U.S. PATENT DOCUMENTS

D458,389 S \* 6/2002 Abbestam ..... D25/133  
D513,536 S \* 1/2006 Walker ..... D25/133  
2013/0062585 A1 \* 3/2013 Deering ..... E01F 9/0124  
256/65.01

FOREIGN PATENT DOCUMENTS

GB 2511548 A \* 9/2014 ..... E04H 12/2261

\* cited by examiner

*Primary Examiner* — Doris Clark

(74) *Attorney, Agent, or Firm* — Fishman Stewart PLLC

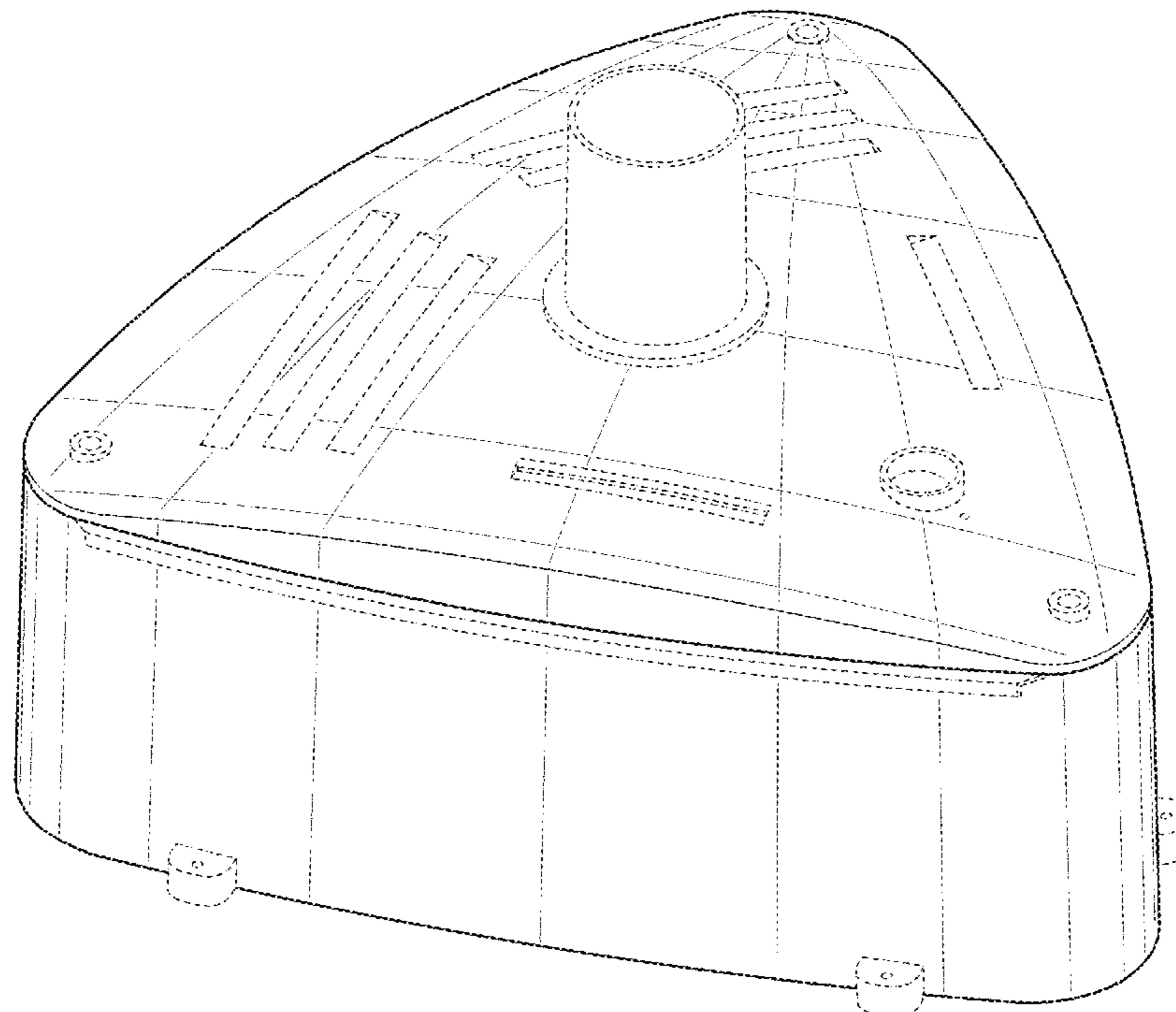
(57) **CLAIM**

The ornamental design for a stanchion base, as shown and described.

**DESCRIPTION**

FIG. 1 is a top perspective view of a stanchion base;  
FIG. 2 is a front view of a stanchion base;  
FIG. 3 is a rear view of a stanchion base;  
FIG. 4 is a top view of a stanchion base;  
FIG. 5 is a bottom view of a stanchion base; and,  
FIG. 6 is a side view of a stanchion base.  
Portions of the figures shown in dashed lines are for illustrative purposes only and form no part of the claimed design.

**1 Claim, 5 Drawing Sheets**



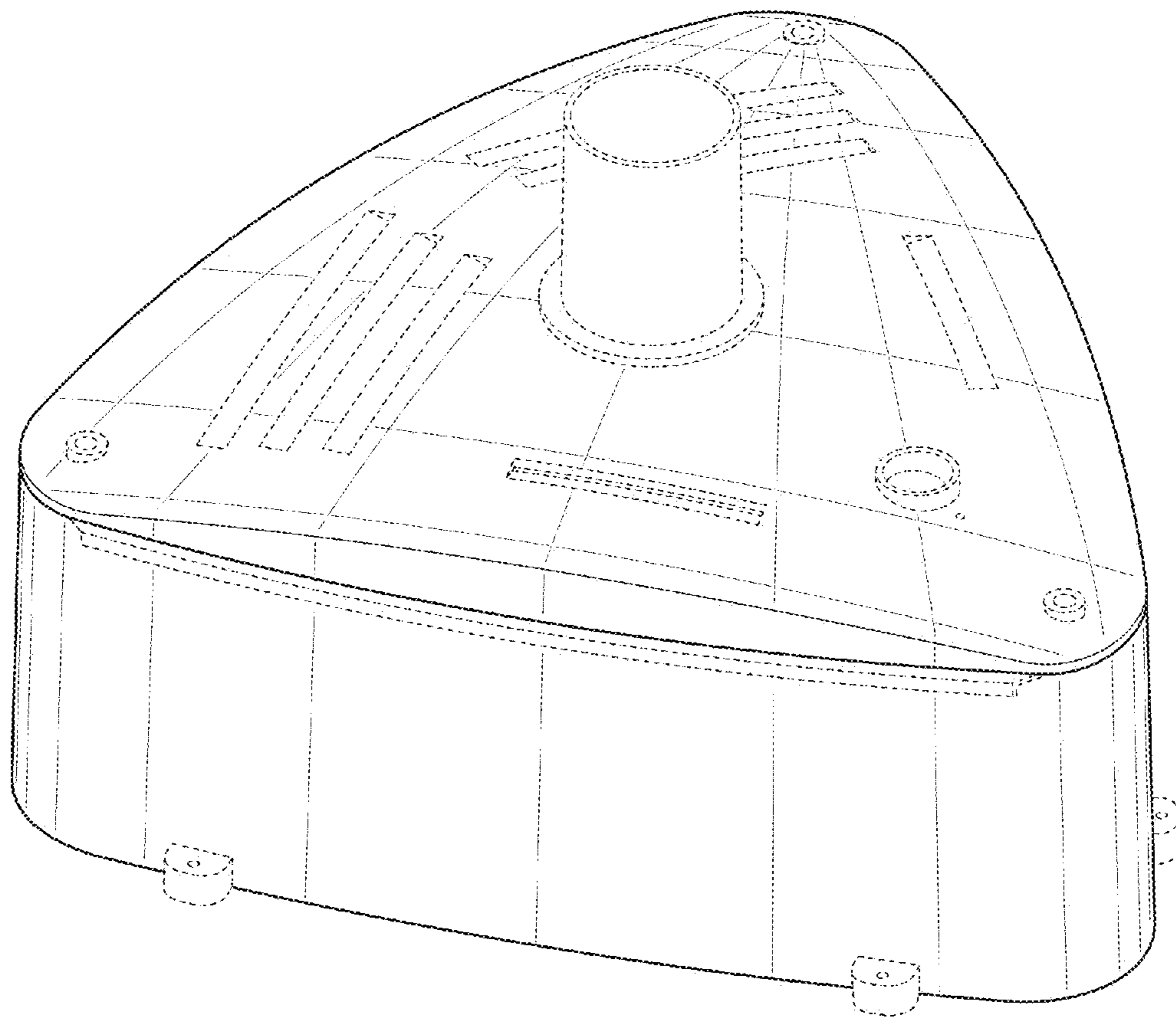


FIG. 1

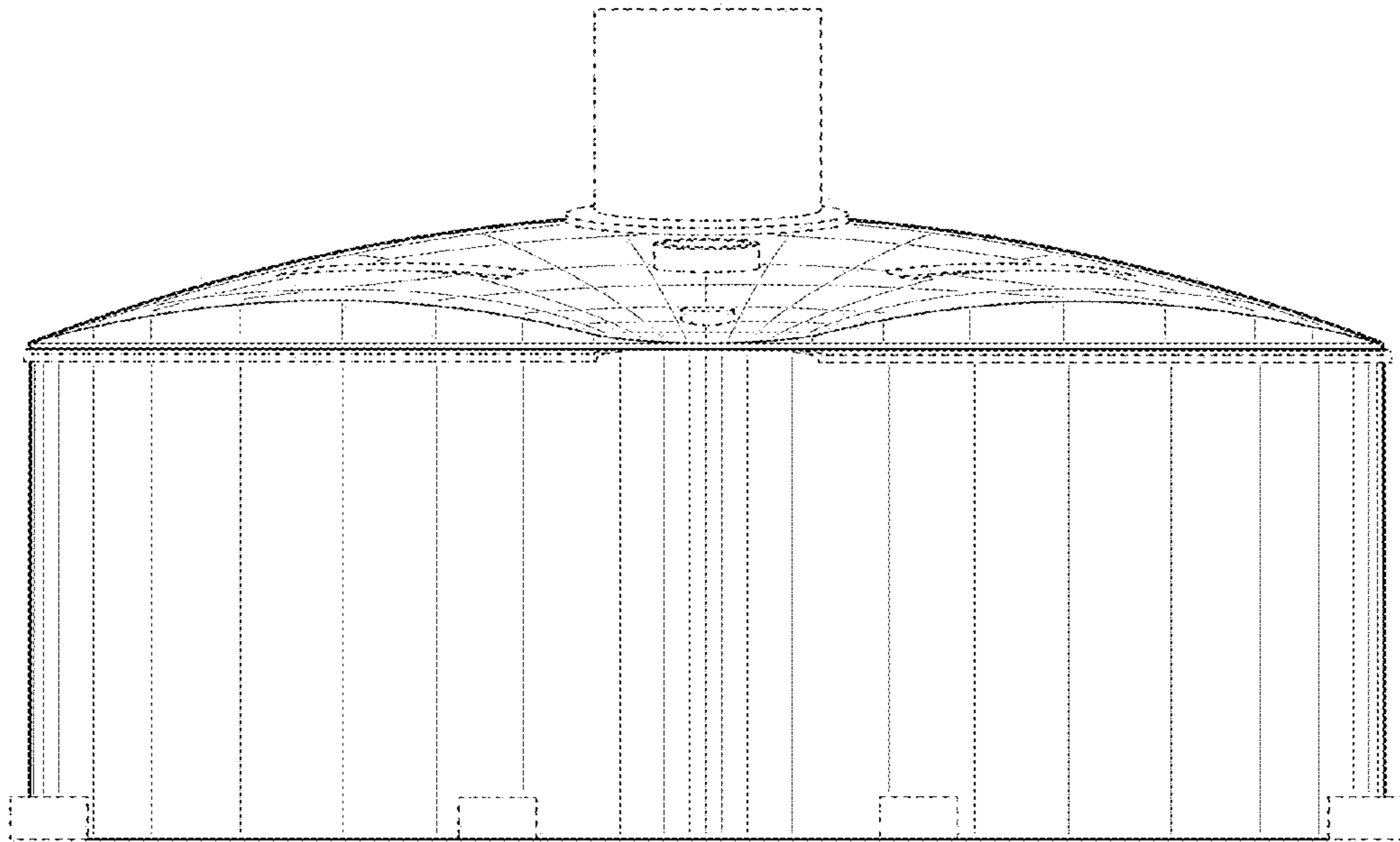


FIG. 2

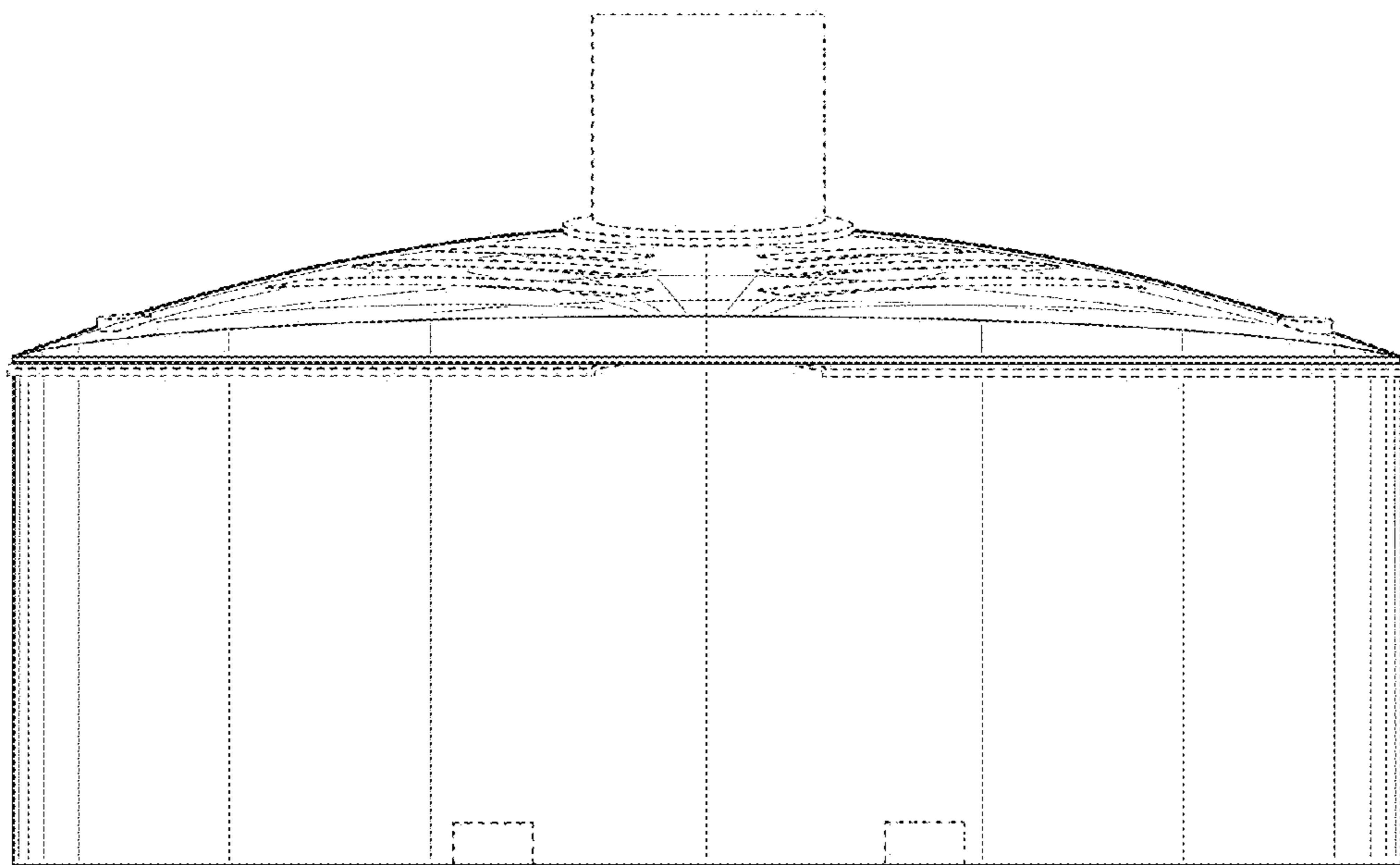


FIG. 3

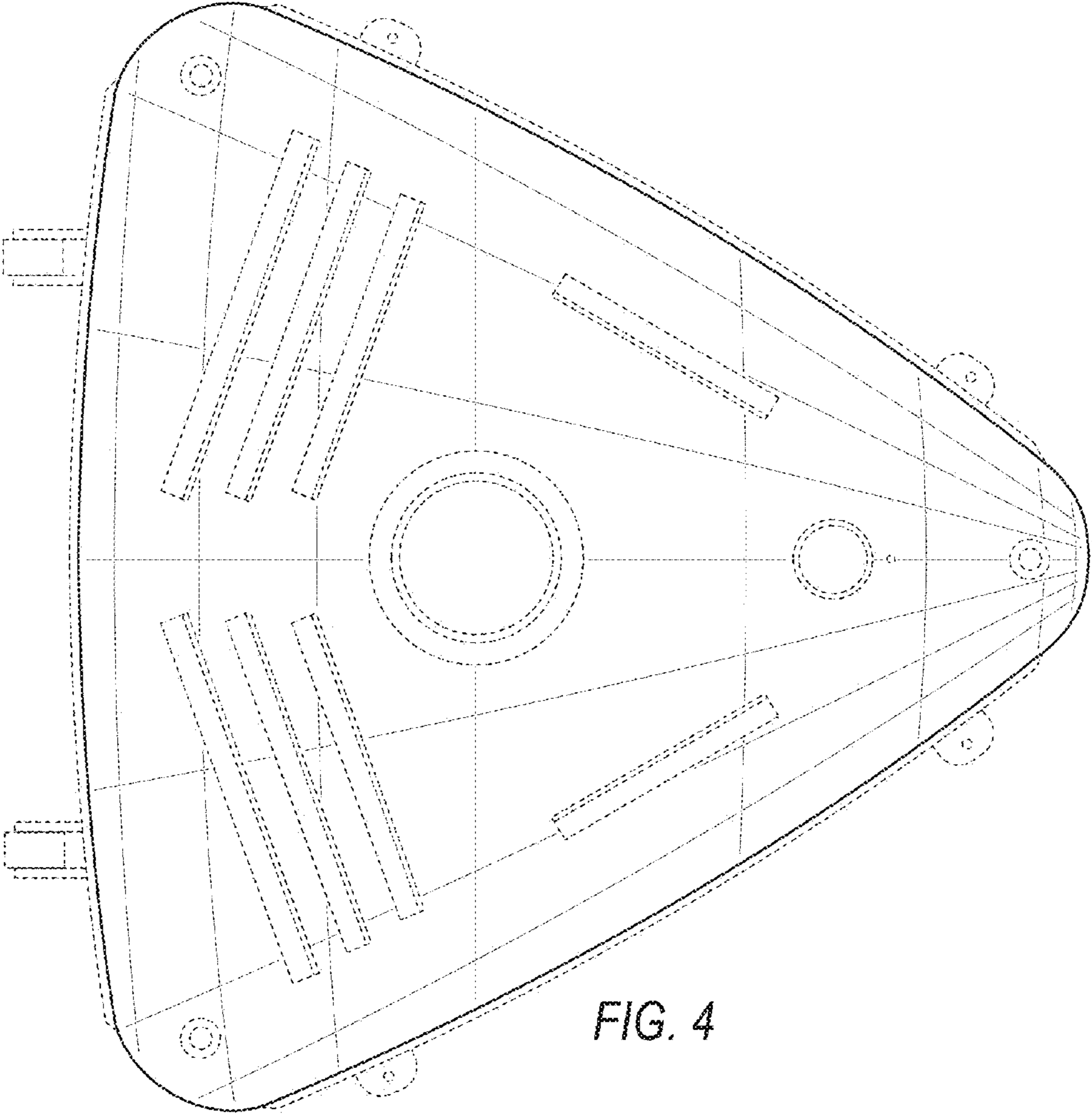
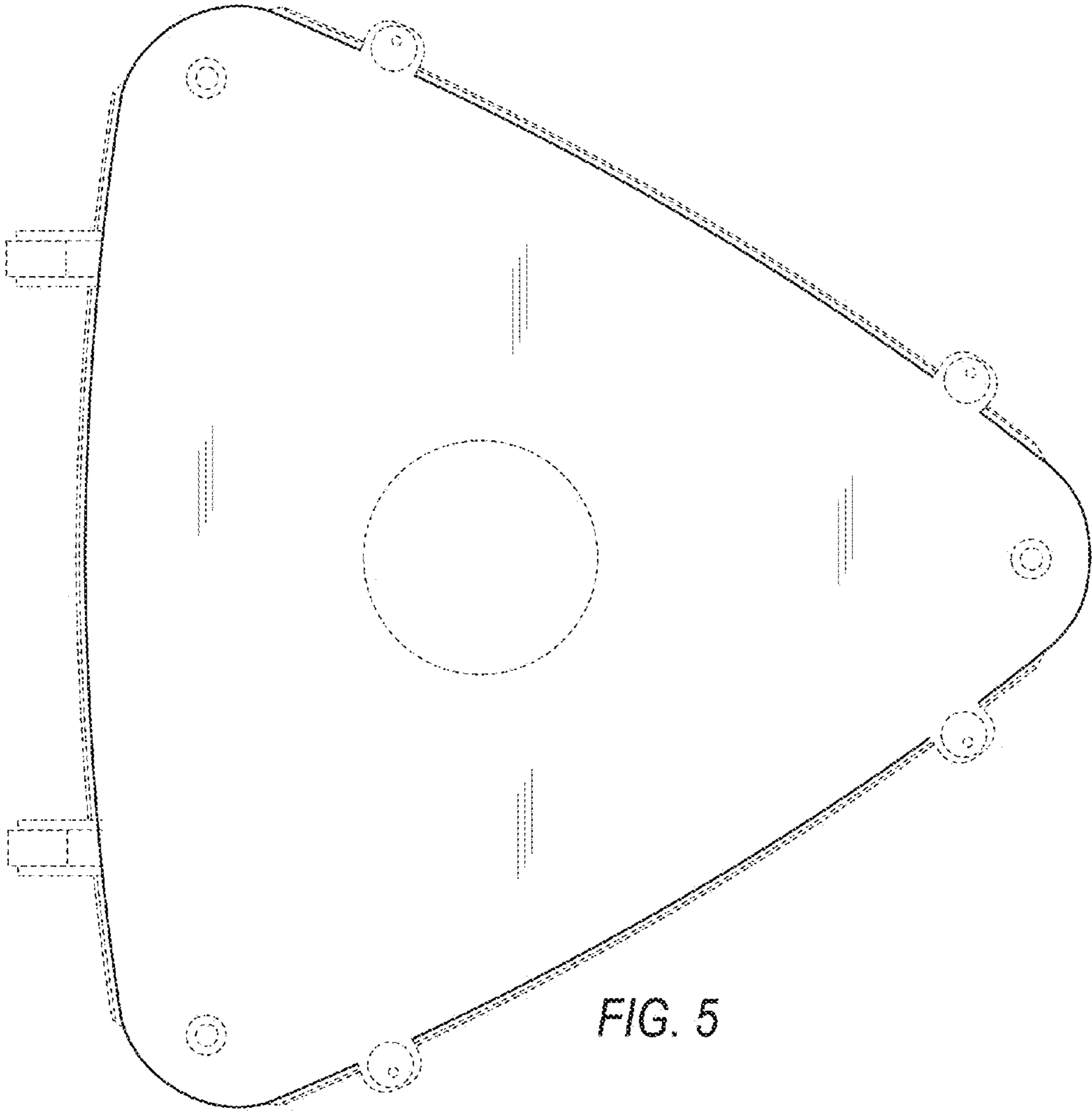


FIG. 4



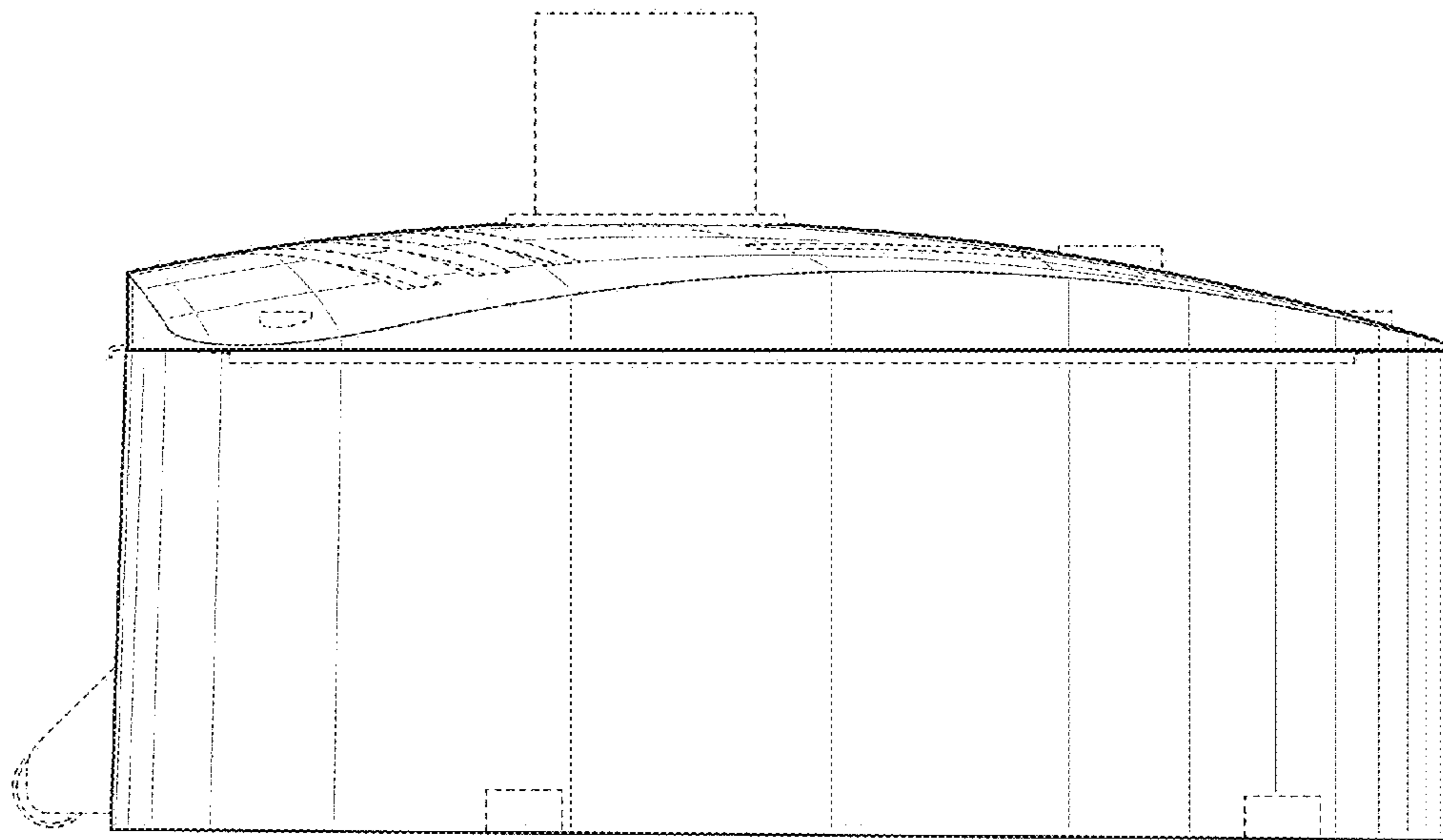


FIG. 6