



US00D752774S

(12) **United States Design Patent**  
**Van Der Woerd**

(10) **Patent No.:** **US D752,774 S**  
(45) **Date of Patent:** **\*\* Mar. 29, 2016**

(54) **DOOR OR WINDOW FRAME EXTRUSION**

(71) Applicant: **SECUREVIEW (AUSTRALIA) PTY LTD**, New South Wales (AU)

(72) Inventor: **Philip Van Der Woerd**, New South Wales (AU)

(73) Assignee: **Secureview (Australia) Pty Ltd**, New South Wales (AU)

(\*\*) Term: **14 Years**

(21) Appl. No.: **29/471,185**

(22) Filed: **Oct. 29, 2013**

(30) **Foreign Application Priority Data**

Apr. 30, 2013 (AU) ..... 11999/2013

(51) **LOC (10) Cl.** ..... **25-01**

(52) **U.S. Cl.**  
USPC ..... **D25/125**

(58) **Field of Classification Search**  
USPC ..... D25/124, 125  
CPC ..... E06B 1/16; E06B 1/18; E06B 1/26;  
E06B 1/52; E06B 1/36; E06B 3/205

See application file for complete search history.

(56) **References Cited**

U.S. PATENT DOCUMENTS

D612,519 S \* 3/2010 Brabeck ..... D25/119  
D647,634 S \* 10/2011 Pensi ..... D25/124  
2007/0074469 A1 \* 4/2007 Plagemann ..... E06B 1/30  
52/204.1

\* cited by examiner

*Primary Examiner* — Doris Clark

(74) *Attorney, Agent, or Firm* — Sheridan Ross P.C.

(57) **CLAIM**

The ornamental design for a door or window frame extrusion, as shown and described.

**DESCRIPTION**

FIG. 1 is a top, front and left side perspective view of the door or window frame extrusion;

FIG. 2 is a bottom, rear and left side perspective view of the door or window frame extrusion of FIG. 1;

FIG. 3 is a front elevation view of the door or window frame extrusion of FIG. 1;

FIG. 4 is a rear elevation view of the door or window frame extrusion of FIG. 2;

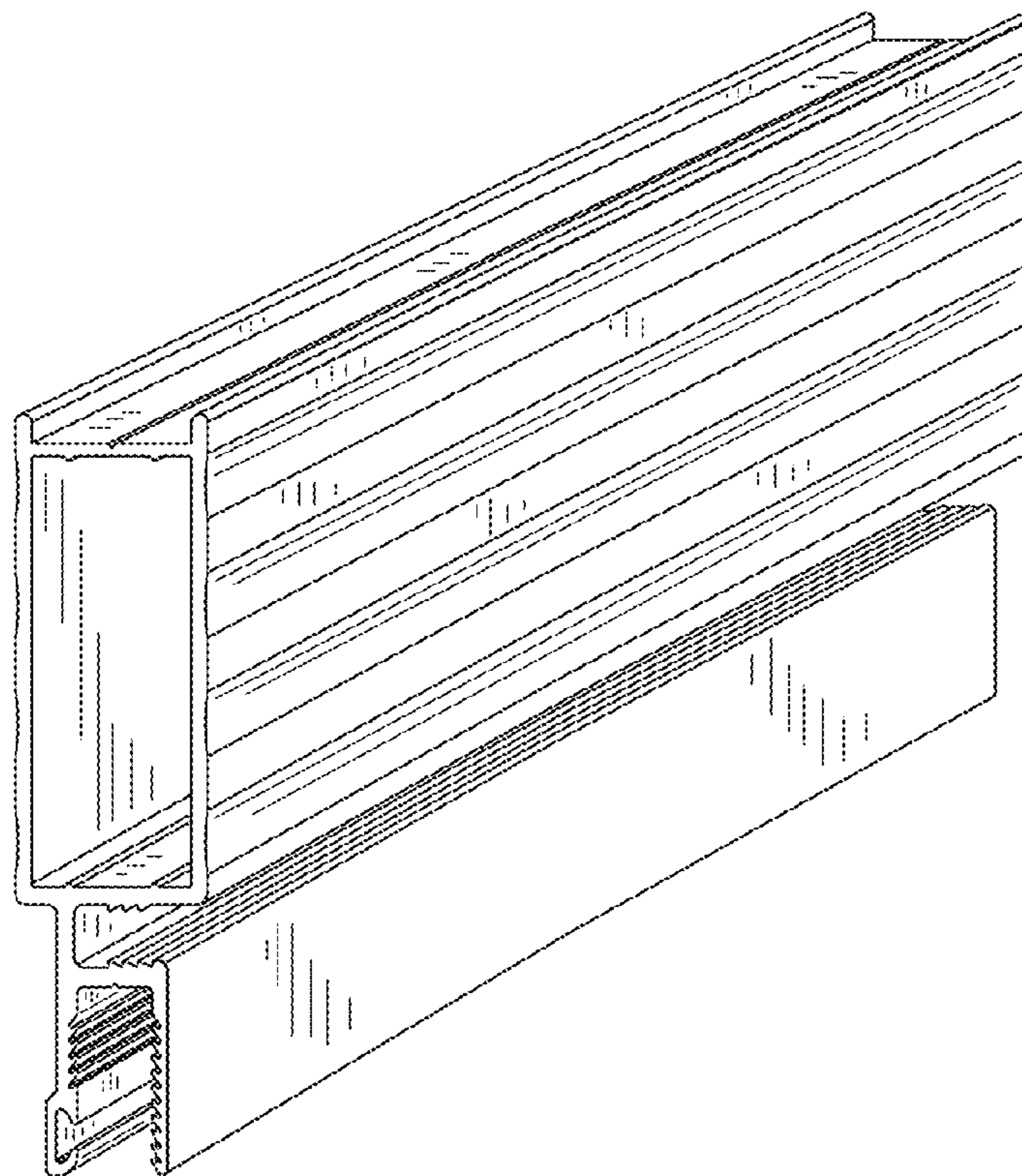
FIG. 5 is a left side view of the extrusion of FIG. 1;

FIG. 6 is a right side view of the extrusion of FIG. 1;

FIG. 7 is a top plan view of the extrusion of FIG. 1; and,

FIG. 8 is a bottom plan view of the extrusion of FIG. 1;

**1 Claim, 4 Drawing Sheets**



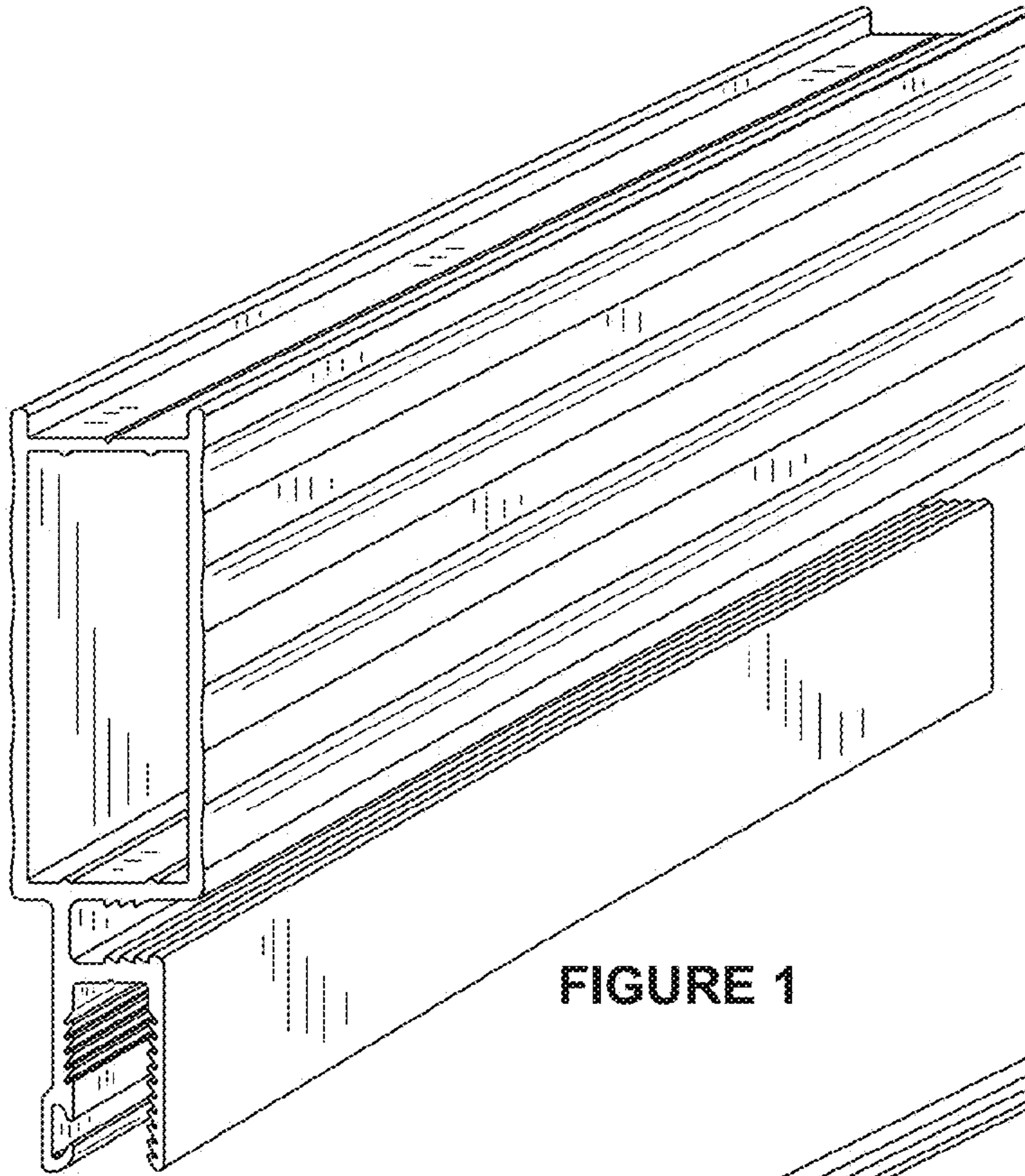


FIGURE 1

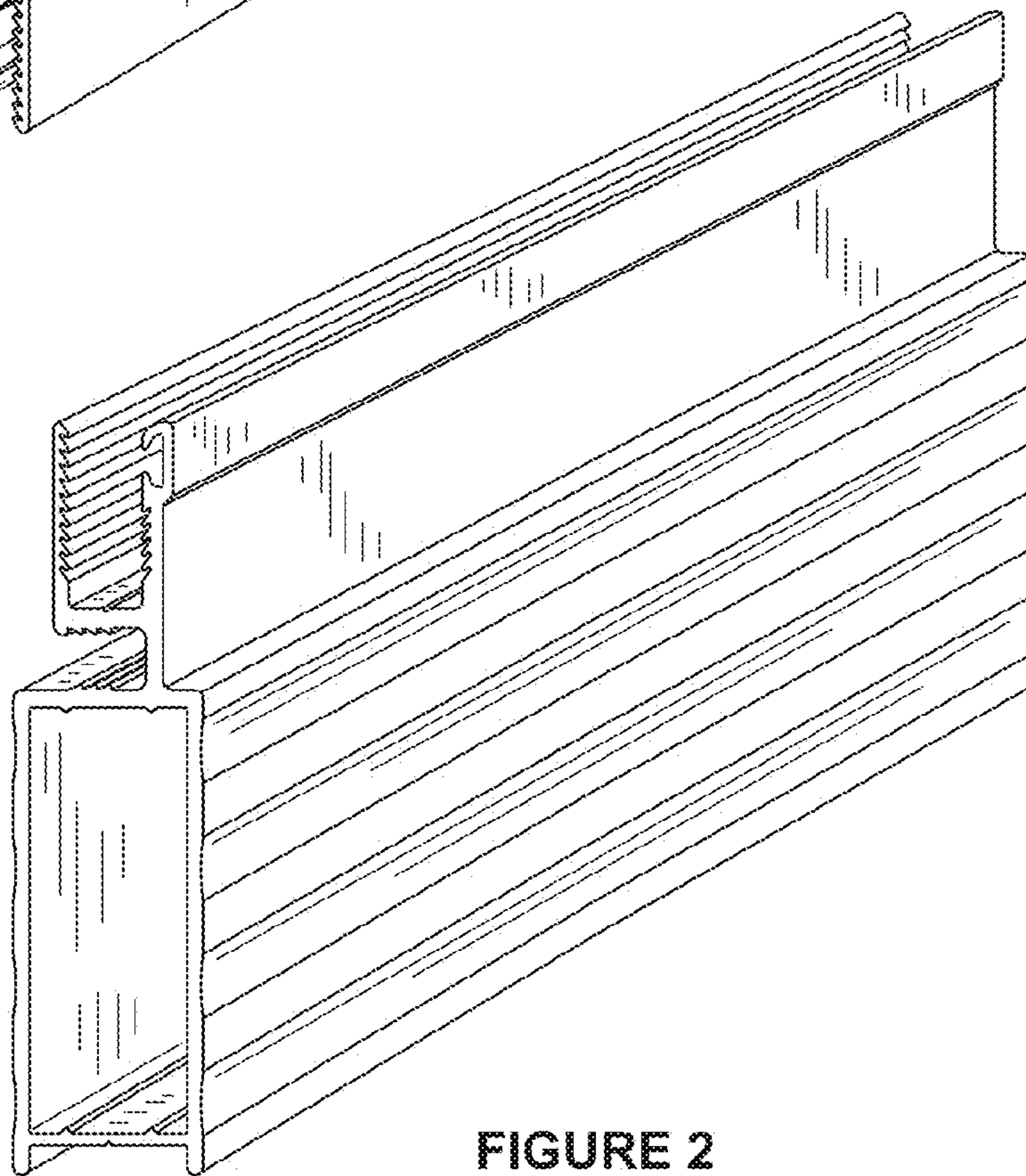


FIGURE 2

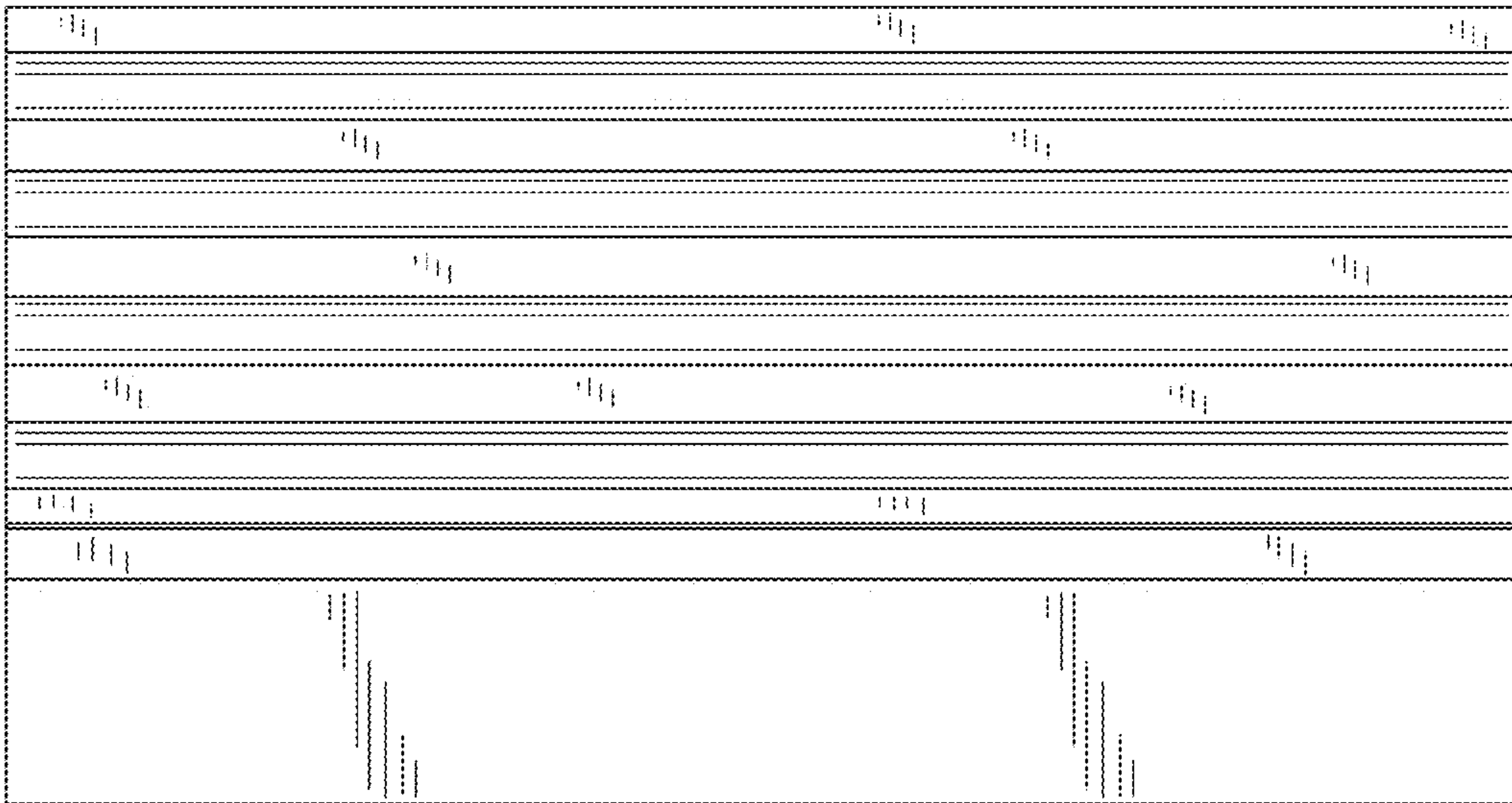


FIGURE 3

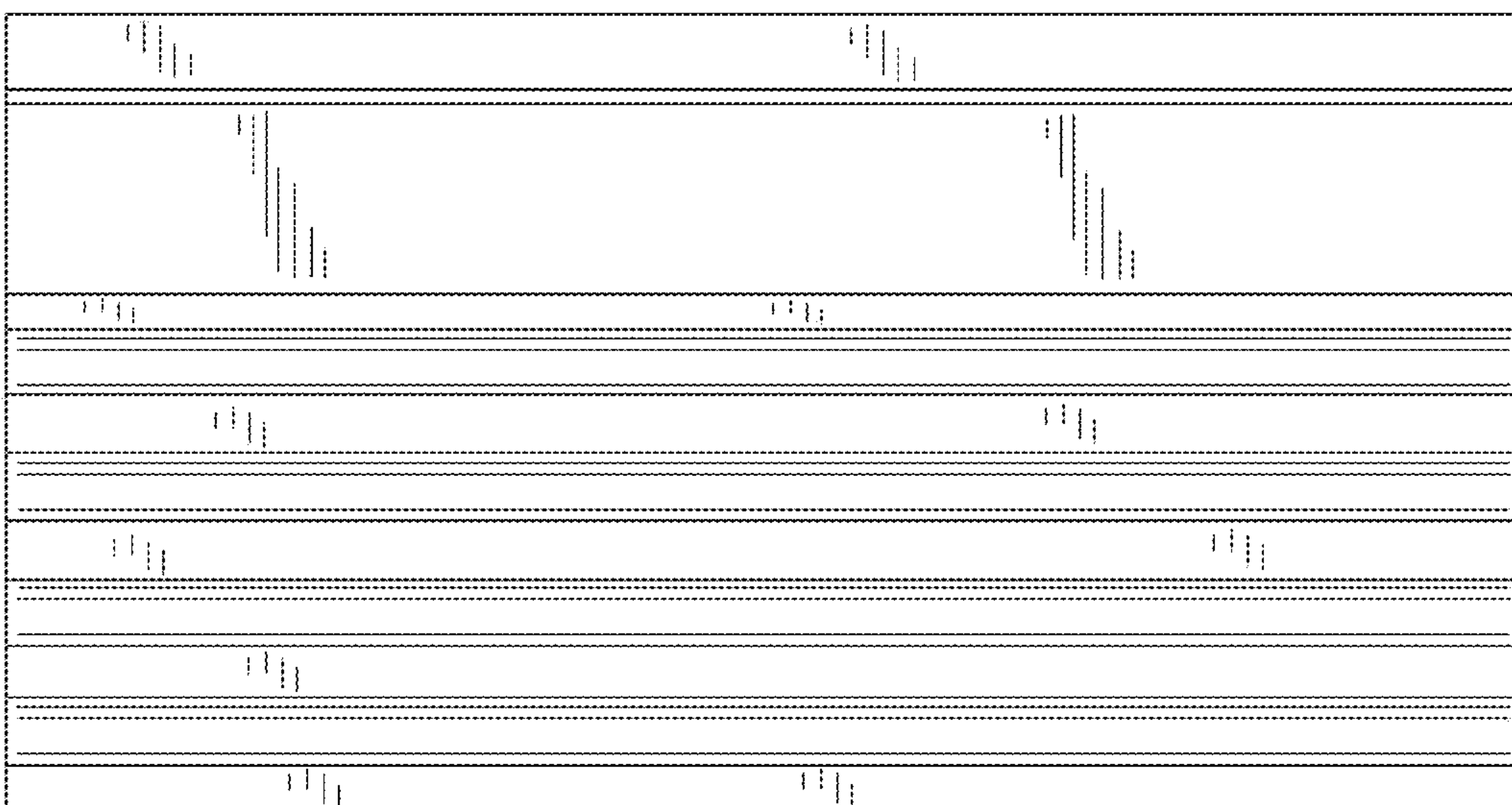


FIGURE 4



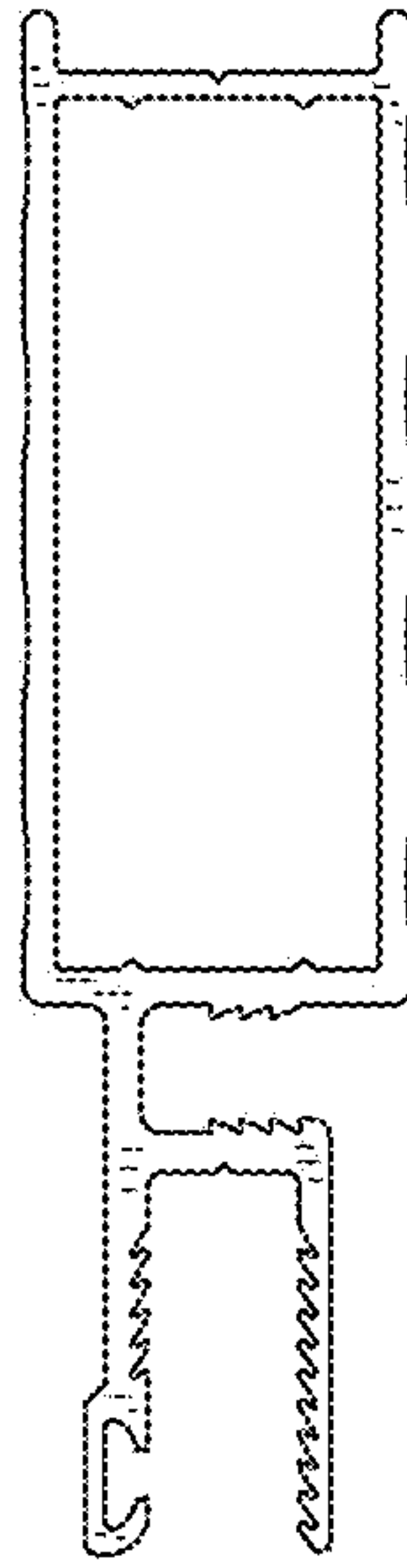


FIGURE 5

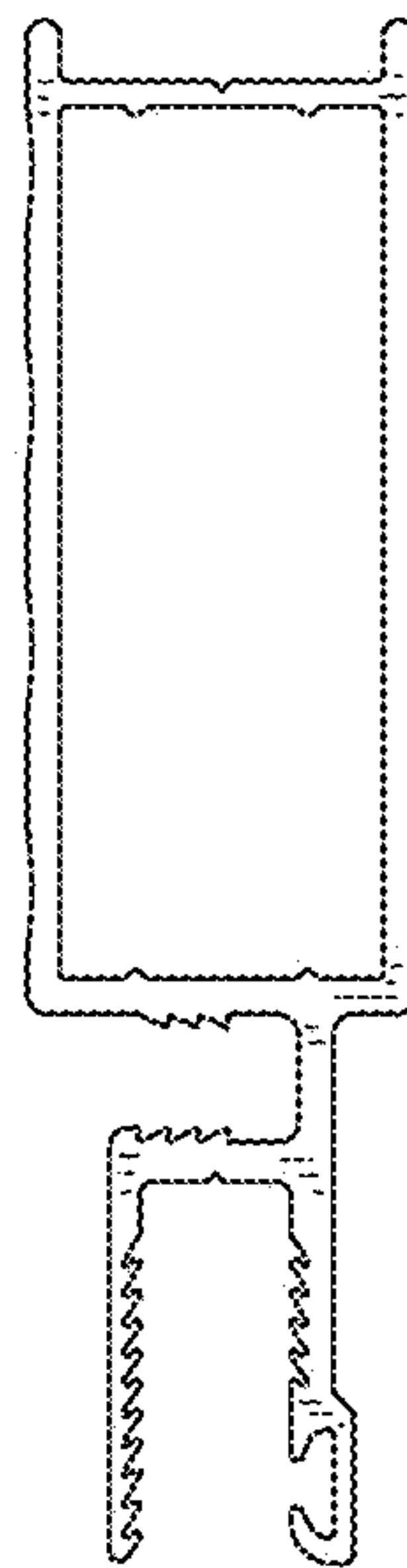


FIGURE 6

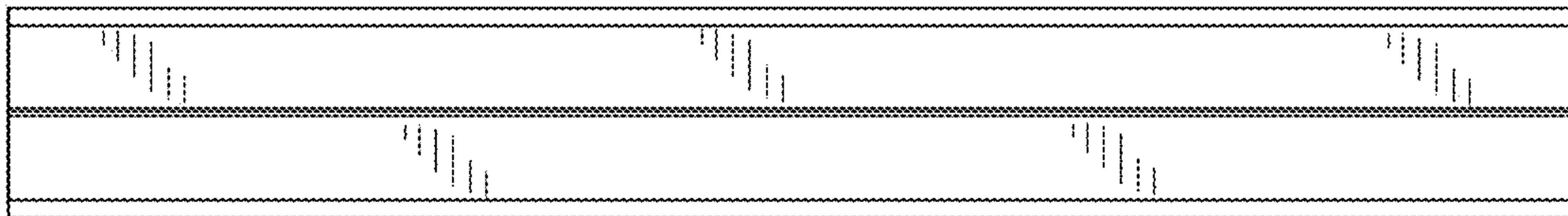


FIGURE 7

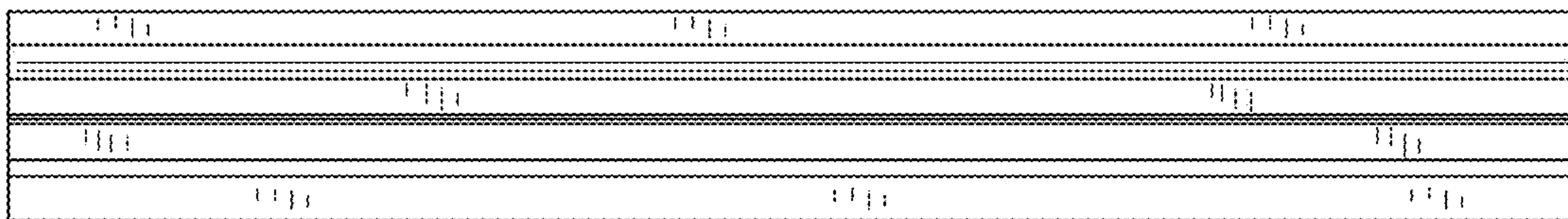


FIGURE 8