



US00D752772S

(12) **United States Design Patent**
Mirer et al.

(10) **Patent No.:** **US D752,772 S**
(45) **Date of Patent:** **** Mar. 29, 2016**

(54) **TEMPORARY DOOR ASSEMBLY FOR USE DURING CONSTRUCTION**

(71) Applicant: **Level Headed Pro Tools LLC**, Staten Island, NY (US)

(72) Inventors: **Josef Mirer**, Riverdale, NY (US);
Cristtian Cerna, Selden, NY (US)

(73) Assignee: **LEVEL HEADED PRO TOOLS LLC**, Staten Island, NY (US)

(**) Term: **14 Years**

(21) Appl. No.: **29/489,167**

(22) Filed: **Apr. 28, 2014**

(51) **LOC (10) Cl.** **25-02**

(52) **U.S. Cl.**
USPC **D25/48.3**

(58) **Field of Classification Search**
USPC D25/48.3
CPC E06B 5/025; E06B 5/00; E06B 3/92;
E06B 3/76; E06B 2003/7096; E06B 3/00;
E06B 3/70; E04G 21/241; E04G 21/24
See application file for complete search history.

(56) **References Cited**

U.S. PATENT DOCUMENTS

- 3,216,483 A * 11/1965 Ford B60J 5/0497
160/370.1
- 3,241,601 A * 3/1966 Bruning B60J 5/08
105/423
- D520,644 S * 5/2006 Lualdi D25/48.3
- 2006/0174561 A1* 8/2006 Hansen E04G 21/24

- 2007/0181271 A1* 8/2007 Earnest E04G 21/24
160/368.1
- 2009/0133354 A1* 5/2009 Spear E04B 2/7453
52/588.1
- 2011/0308747 A1* 12/2011 Starzomski E04G 21/30
160/368.1

* cited by examiner

Primary Examiner — Doris Clark

(74) *Attorney, Agent, or Firm* — Tarter Krinsky & Drogin LLP

(57) **CLAIM**

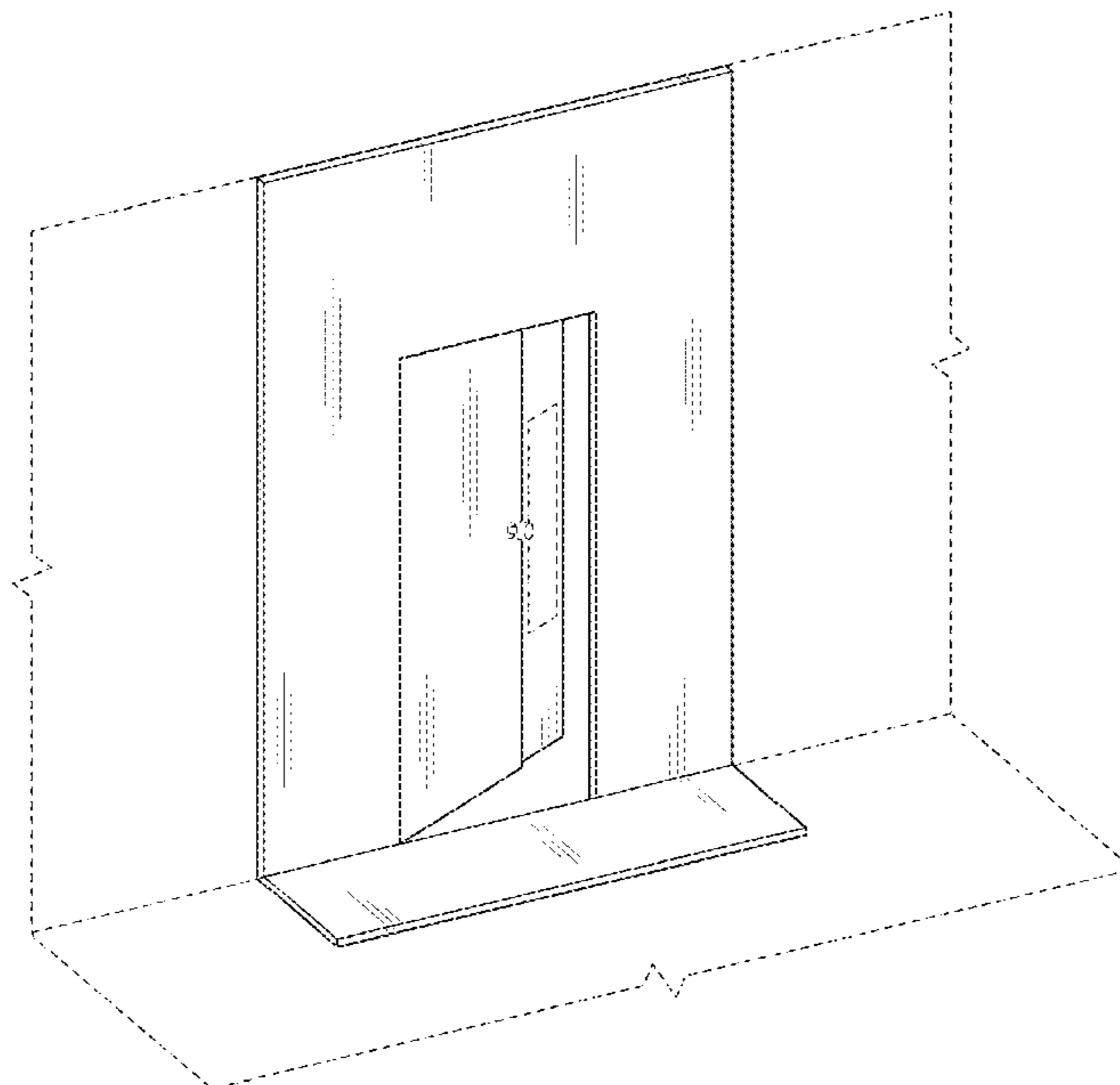
We claim the ornamental design for a temporary door assembly for use during construction, as shown and described.

DESCRIPTION

FIG. 1 is a front perspective view of a temporary door assembly for use during construction in a closed position; FIG. 2 is a rear perspective view thereof; FIG. 3 is a front view thereof; FIG. 4 is a rear view thereof; FIG. 5 is a first side view thereof; FIG. 6 is a second side view thereof; FIG. 7 is a top view thereof; FIG. 8 is a bottom view thereof; FIG. 9 is a front perspective view thereof of the temporary door assembly for use during construction in an open position; and, FIG. 10 is a rear perspective view thereof of the temporary door assembly for use during construction in an open position.

The phantom lines shown in the drawings are for illustrative purposes only and form no part of the claimed design.

1 Claim, 6 Drawing Sheets



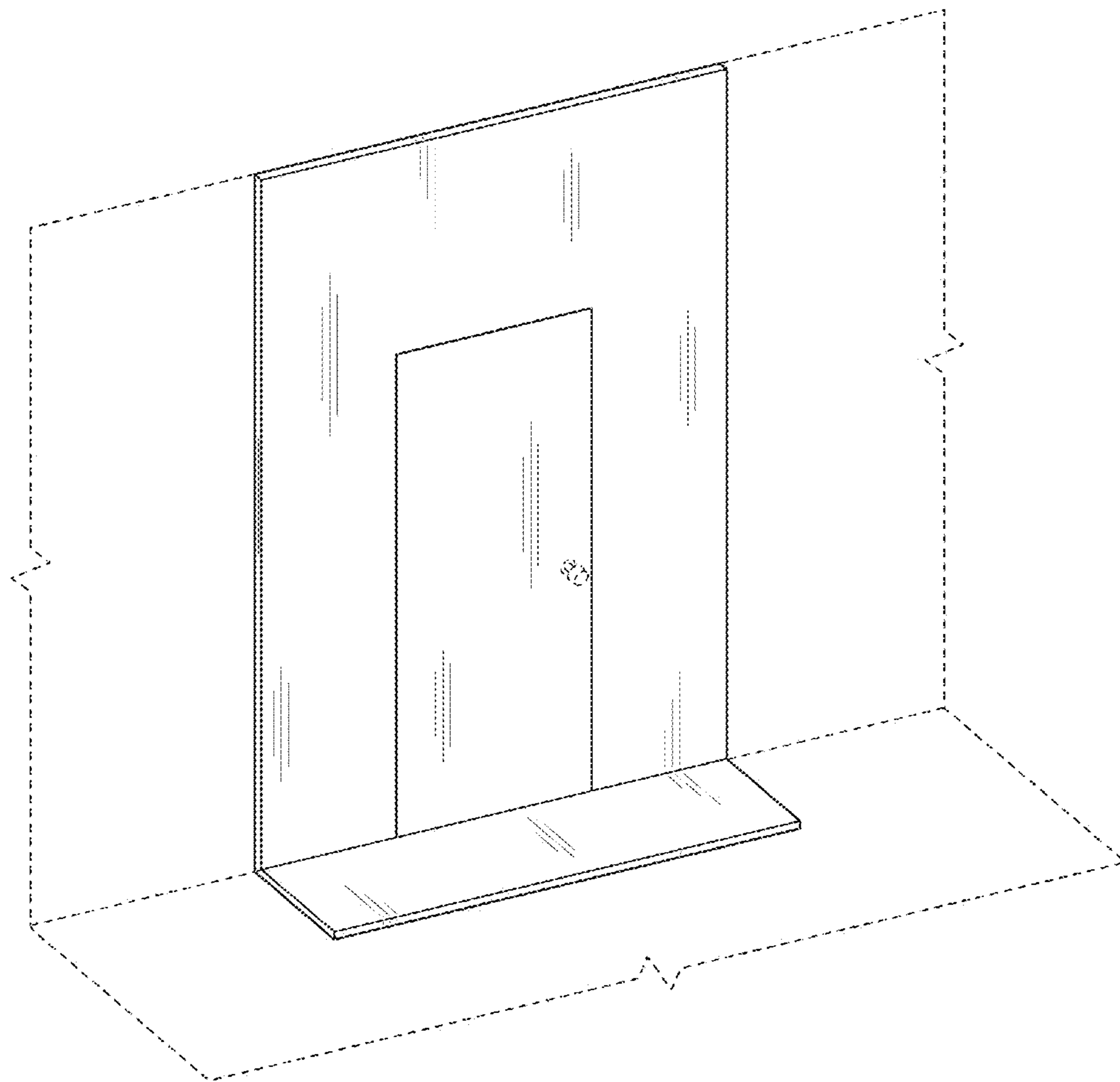


FIG. 1

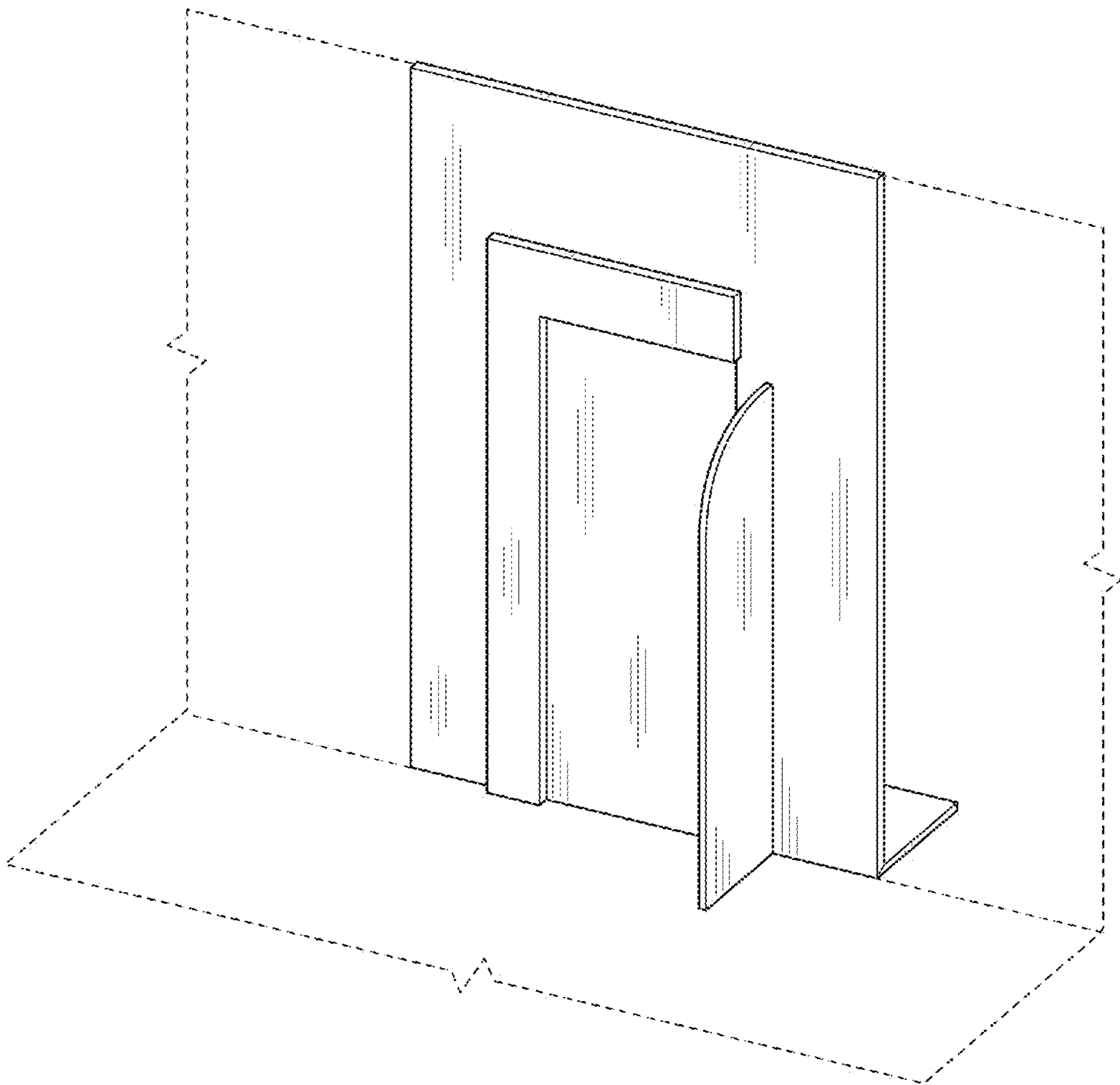


FIG. 2

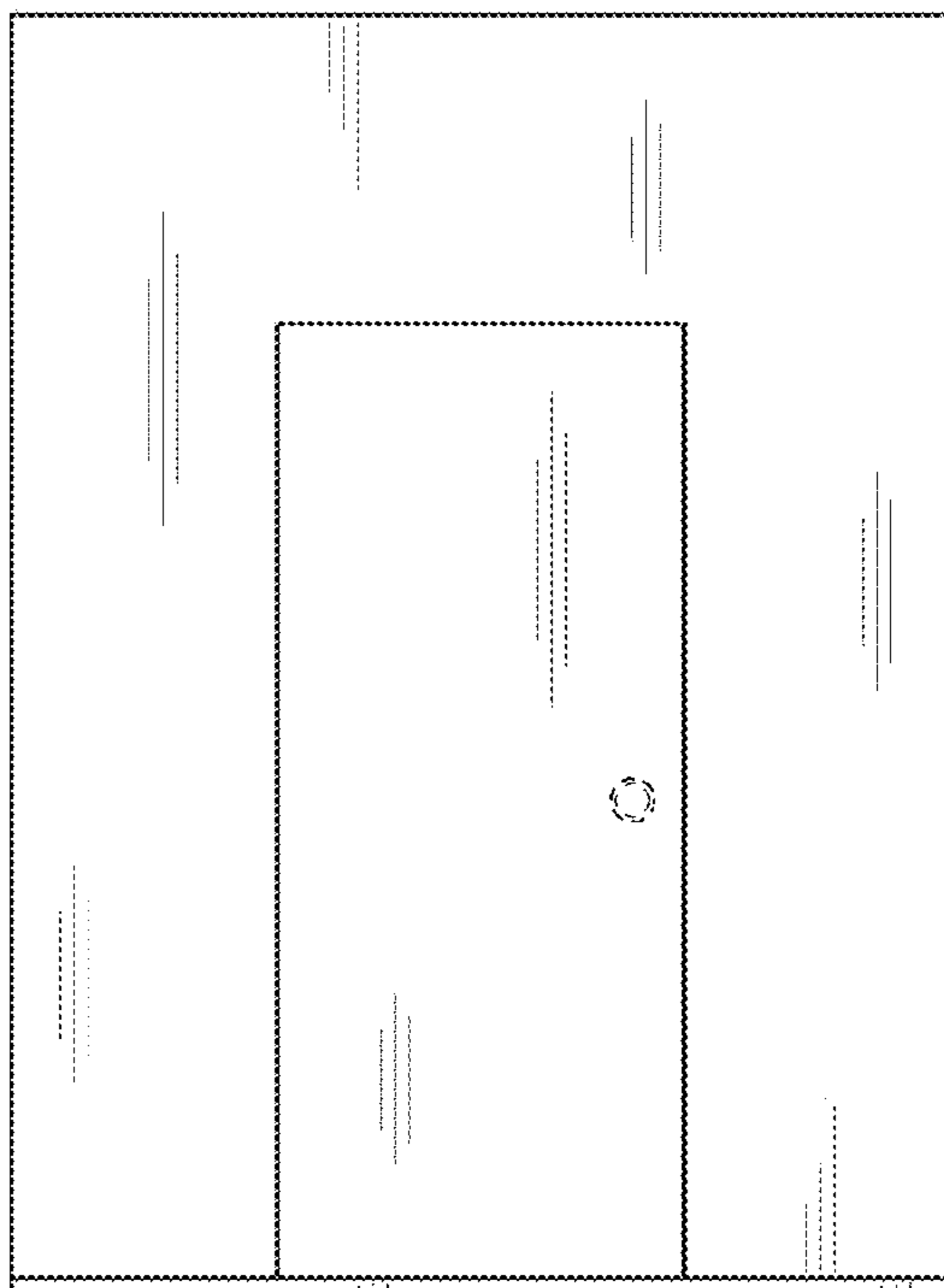


FIG. 3

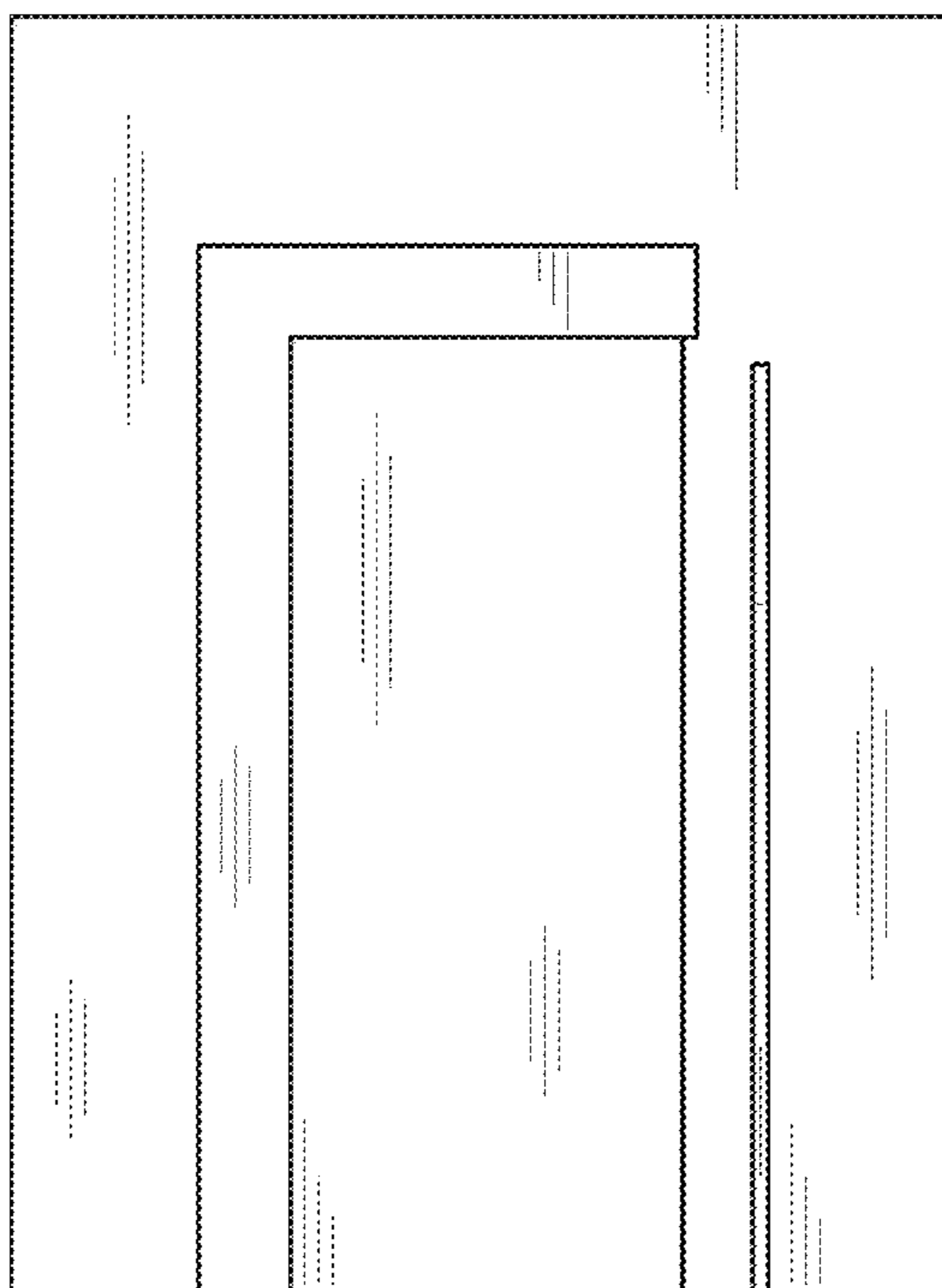


FIG. 4

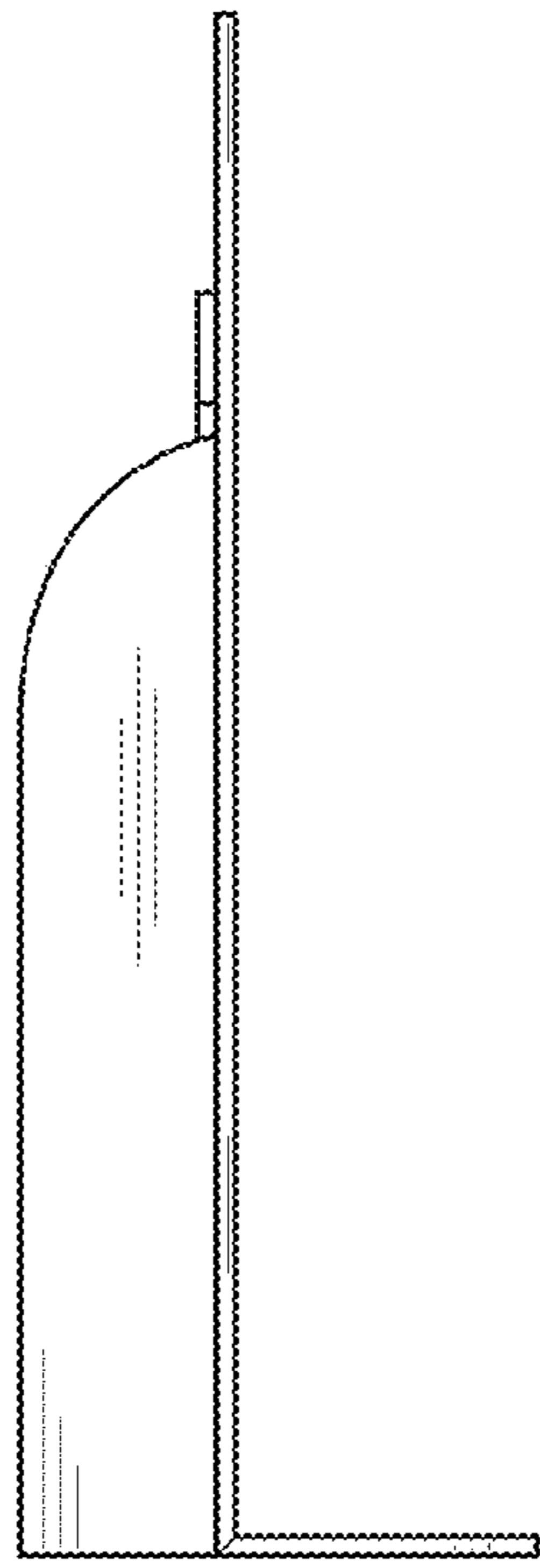


FIG. 5

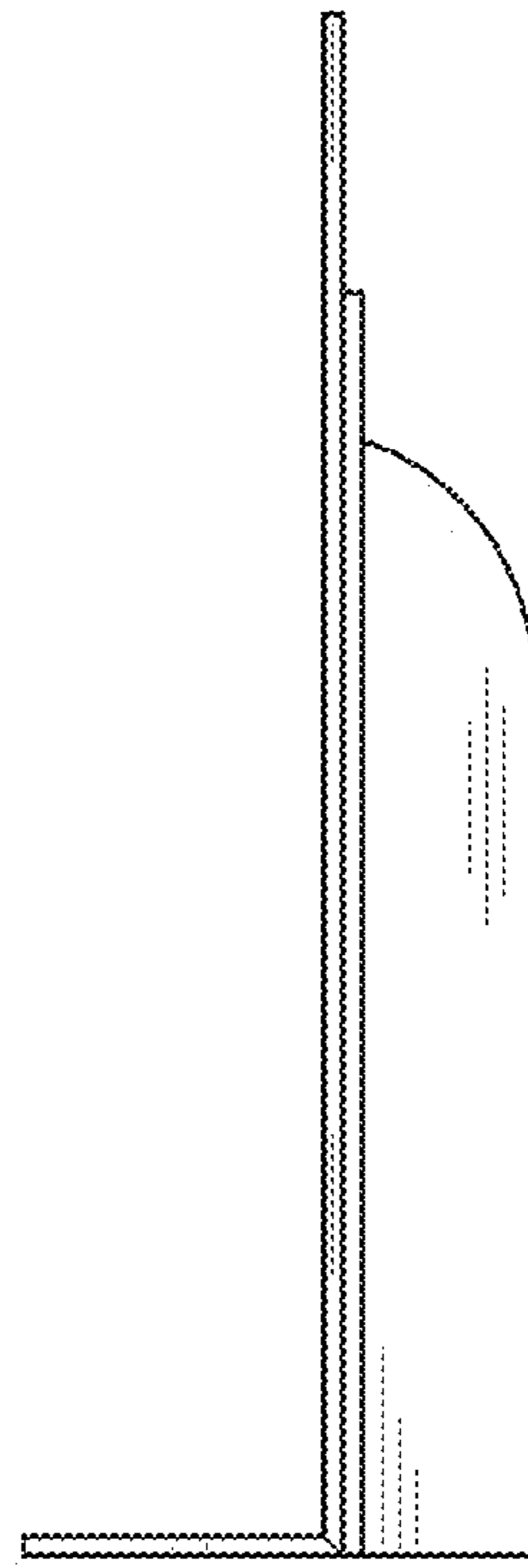


FIG. 6

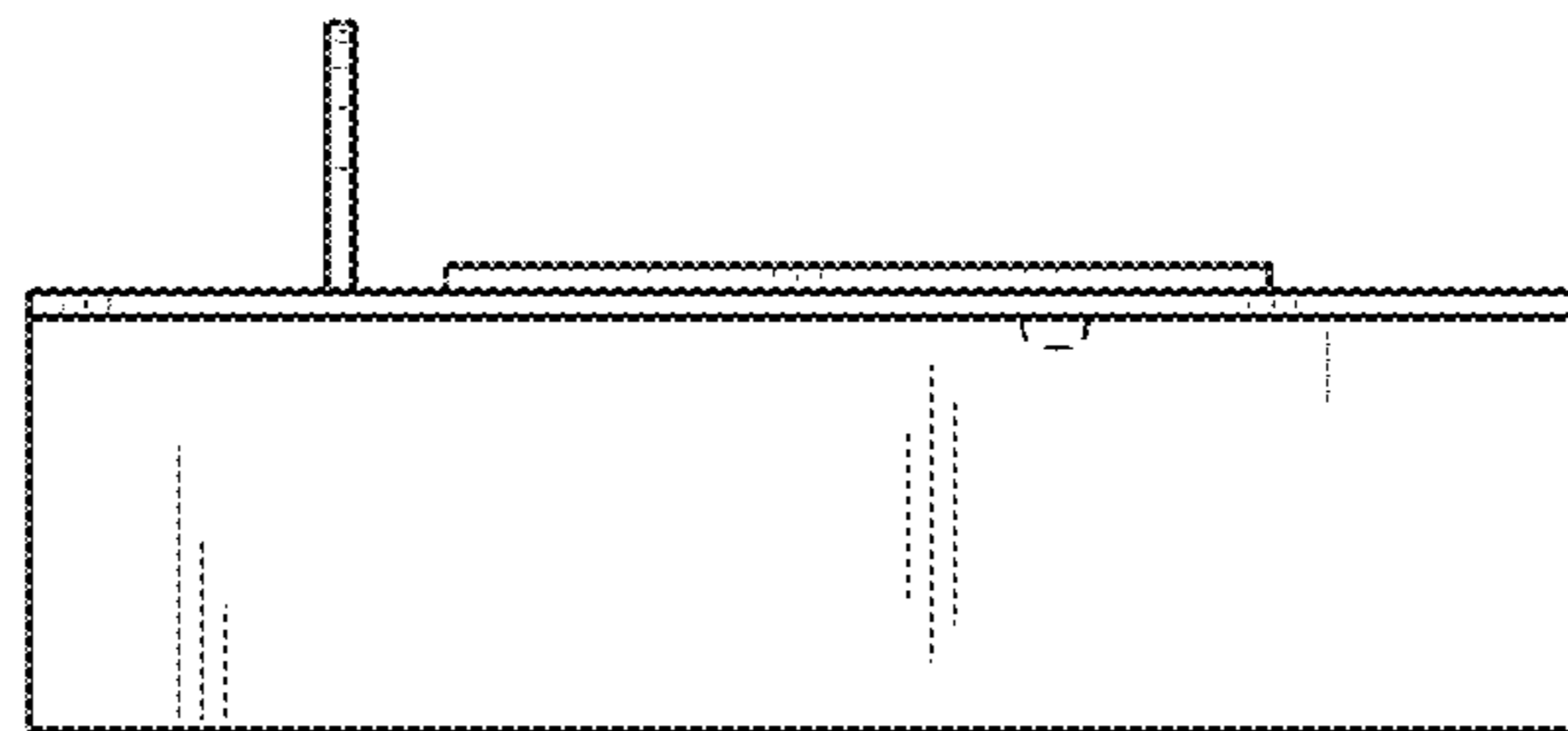


FIG. 7

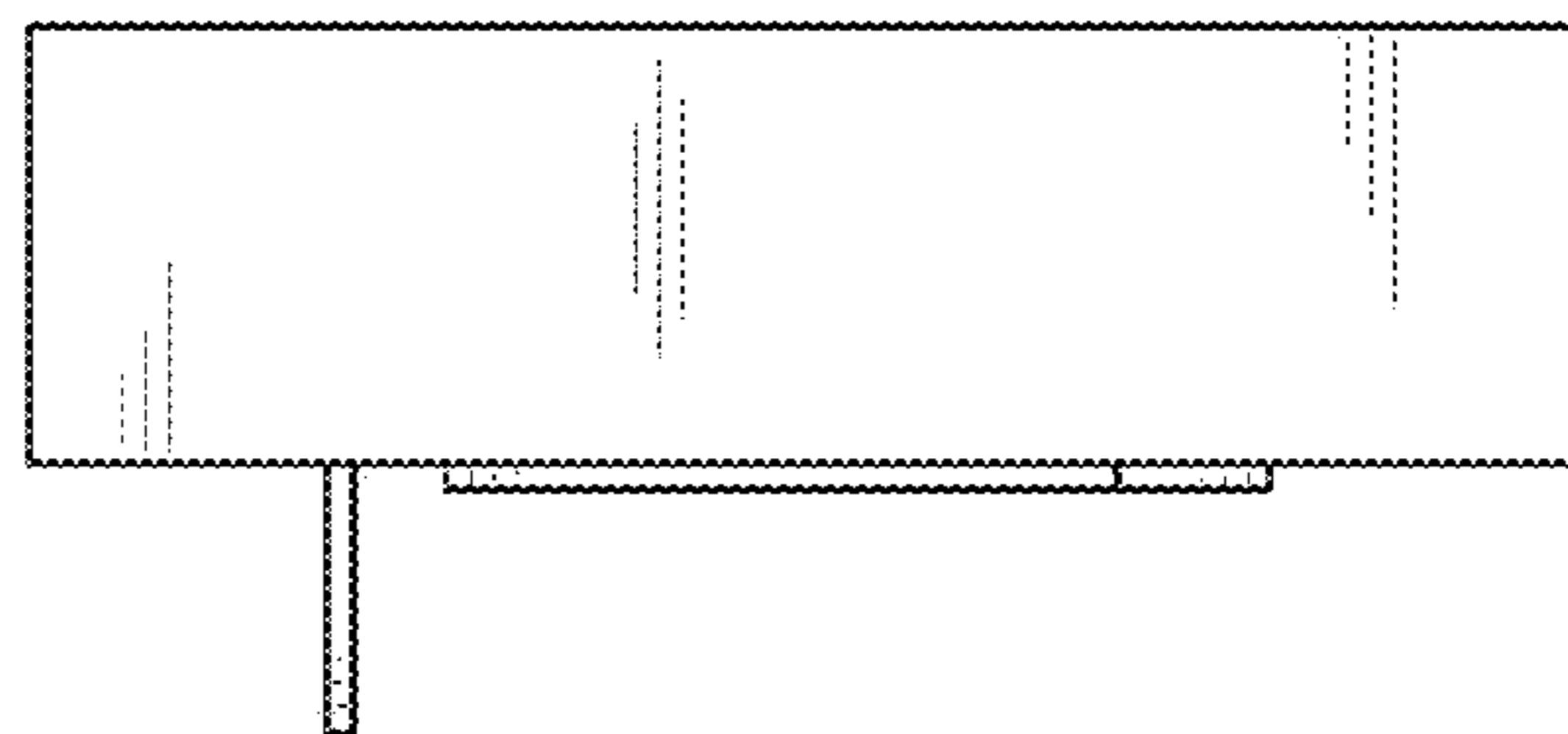


FIG. 8

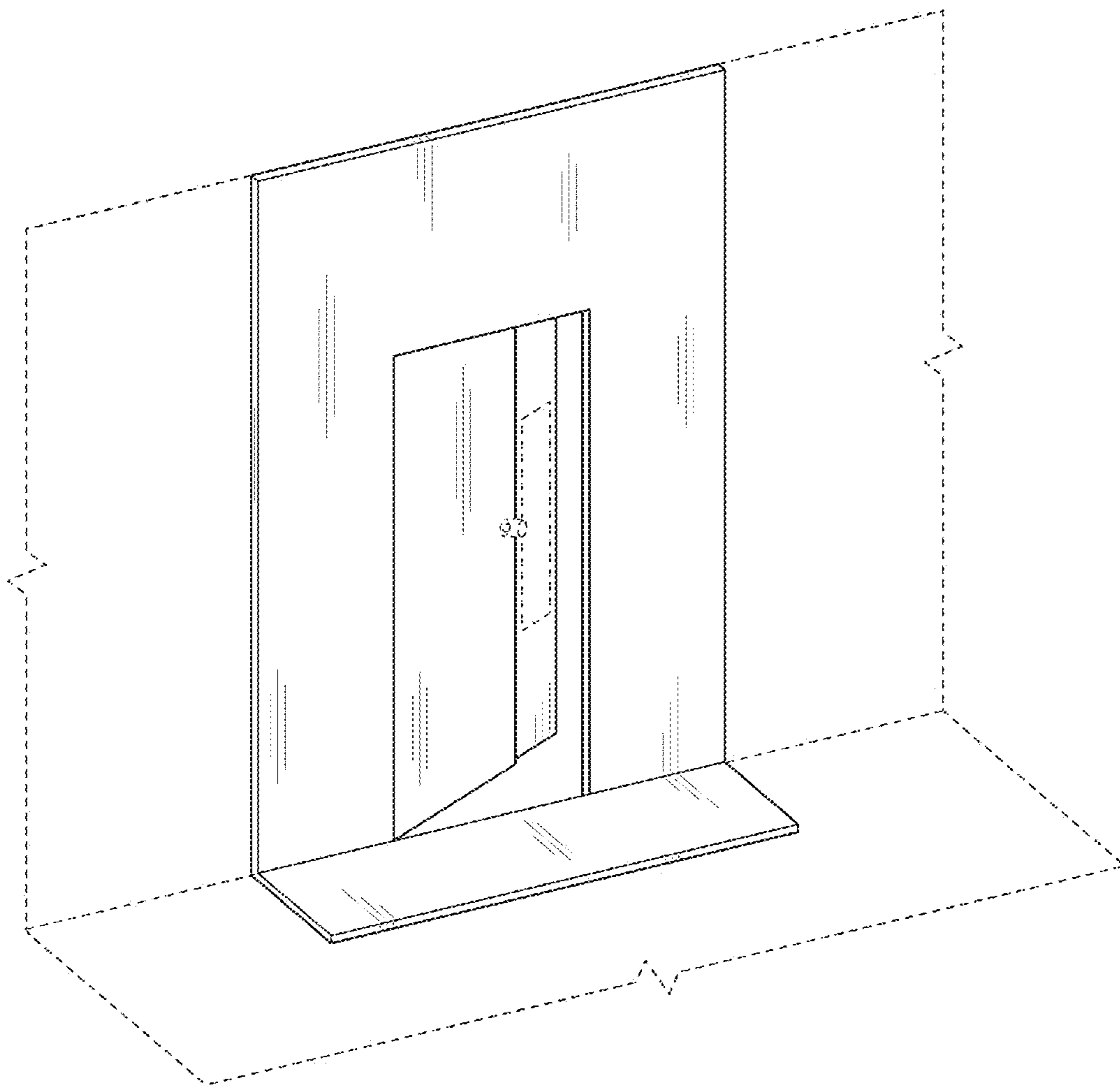


FIG. 9

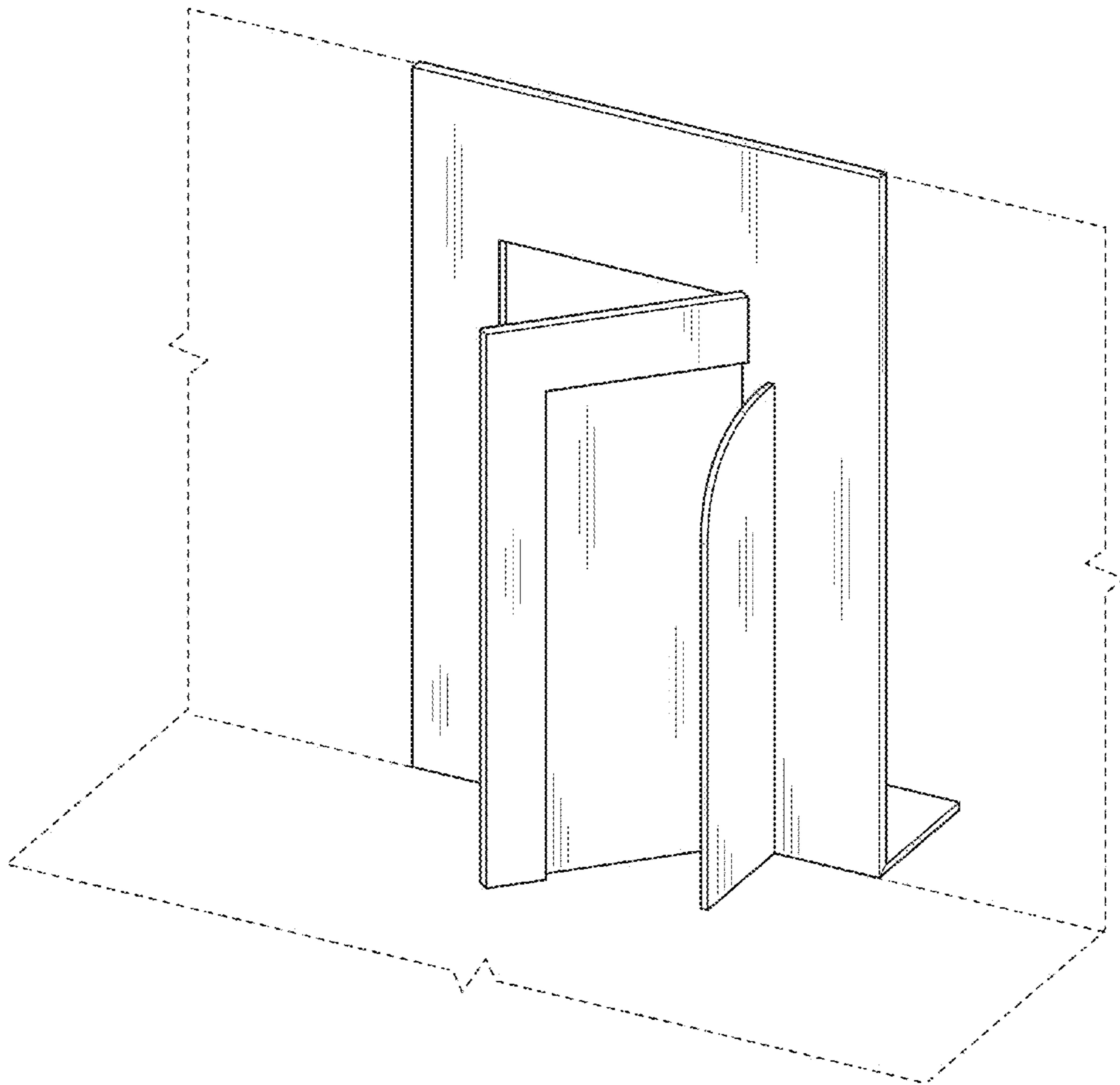


FIG. 10