

US00D752769S

(12) **United States Design Patent**
Taniguchi et al.

(10) **Patent No.:** **US D752,769 S**
(45) **Date of Patent:** **** Mar. 29, 2016**

(54) **CENTRIFUGE**

(71) Applicant: **Hitachi Koki Co., Ltd.**, Minato-Ku,
Tokyo (JP)

(72) Inventors: **Takeshi Taniguchi**, Hitachinaka (JP);
Hiroyuki Hasegawa, Hitachinaka (JP);
Tadashi Ohkawara, Hitachinaka (JP)

(73) Assignee: **Hitachi Koki Co., Ltd.**, Minato-ku,
Tokyo (JP)

(**) Term: **14 Years**

(21) Appl. No.: **29/489,308**

(22) Filed: **Apr. 29, 2014**

(30) **Foreign Application Priority Data**

Oct. 29, 2013 (JP) 2013-025114

(51) **LOC (10) Cl.** **24-01**

(52) **U.S. Cl.**
USPC **D24/219**

(58) **Field of Classification Search**
USPC D24/216-219, 186, 231, 232; D10/81
CPC G01N 9/30; G01N 15/042; G01N 33/491;
B04B 7/02

See application file for complete search history.

(56) **References Cited**

U.S. PATENT DOCUMENTS

3,970,245	A *	7/1976	Aeschlimann	B04B 5/0414 494/11
7,090,633	B2 *	8/2006	Hall	B04B 7/02 494/12
D617,909	S *	6/2010	Taniguchi	D24/219
D679,409	S *	4/2013	Johnson	D24/219
D684,271	S *	6/2013	Kosugi	D24/219
D684,272	S *	6/2013	Taniguchi	D24/219
2013/0219926	A1 *	8/2013	Fischer	B04B 7/02 62/62

* cited by examiner

Primary Examiner — Anhdao Doan

(74) *Attorney, Agent, or Firm* — Banner & Witcoff, Ltd.

(57) **CLAIM**

The ornamental design for centrifuge, as shown and described.

DESCRIPTION

FIG. 1 is a perspective view of the centrifuge showing our new design;

FIG. 2 is a front view thereof;

FIG. 3 is a rear view thereof;

FIG. 4 is a left side view thereof;

FIG. 5 is a right side view thereof;

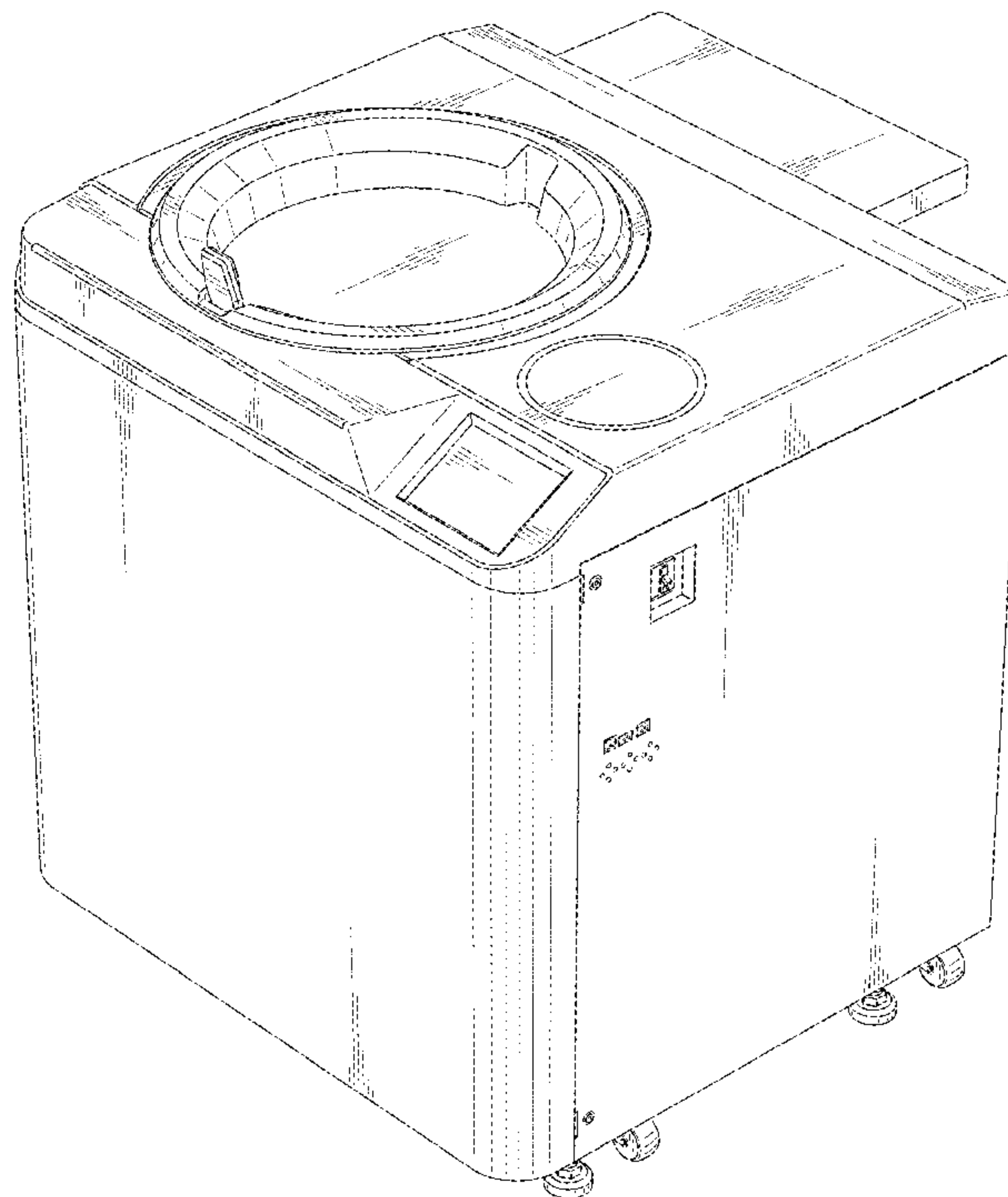
FIG. 6 is a top plan view thereof;

FIG. 7 is a bottom view thereof; and,

FIG. 8 is a perspective view showing a door opened state.

The broken lines represent the portions of the design that form no part of the claim.

1 Claim, 8 Drawing Sheets



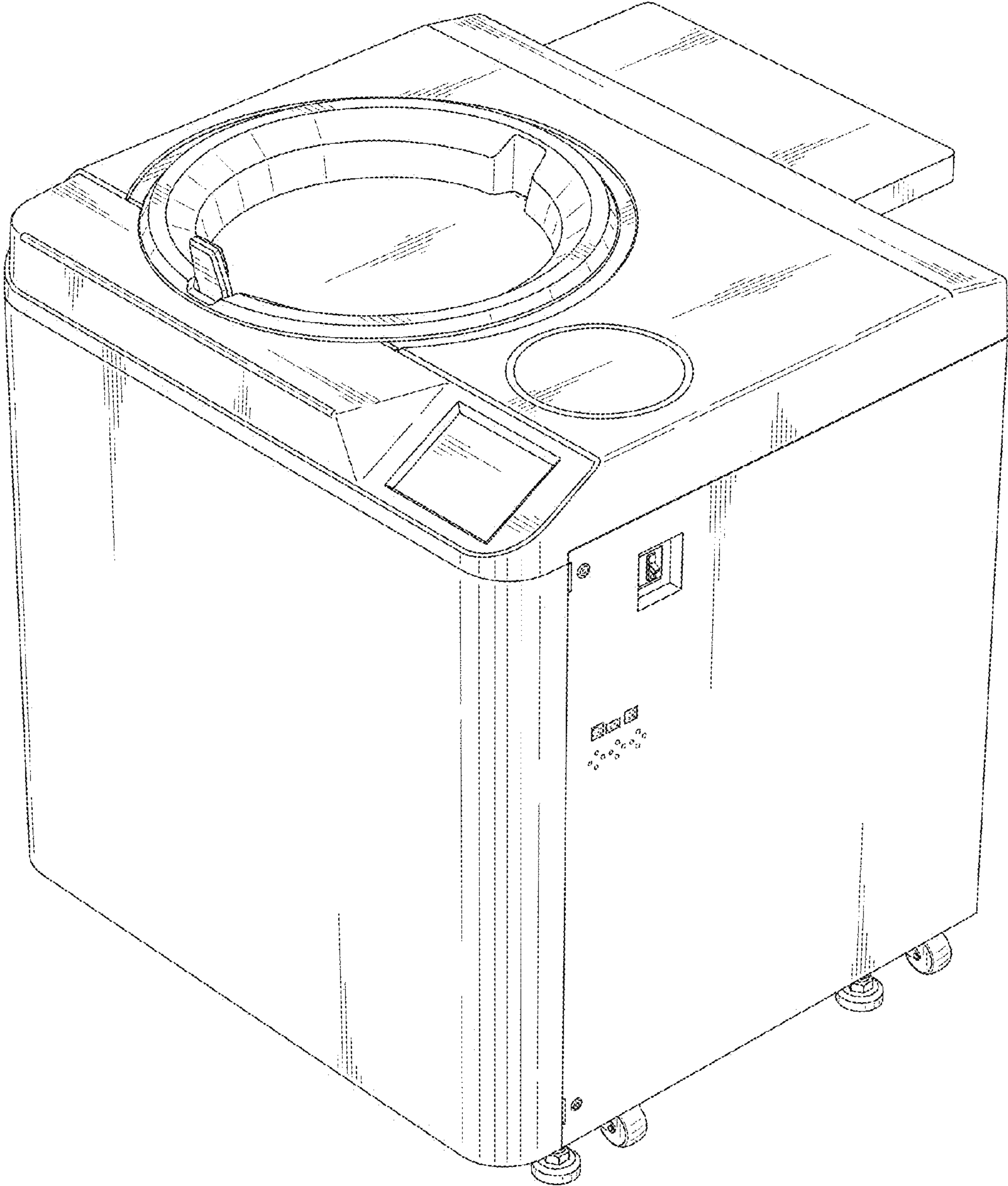


FIG. 1

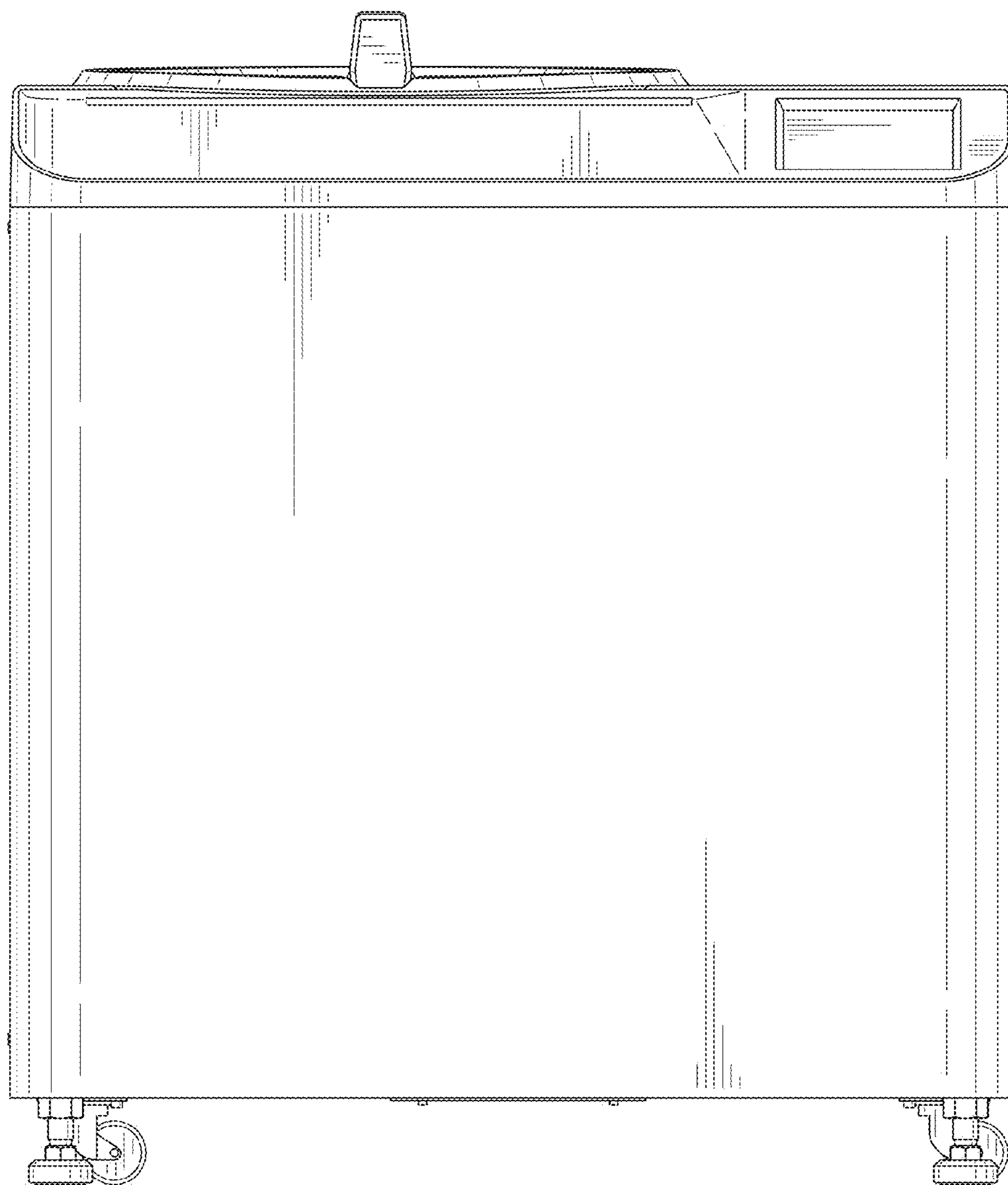


FIG. 2

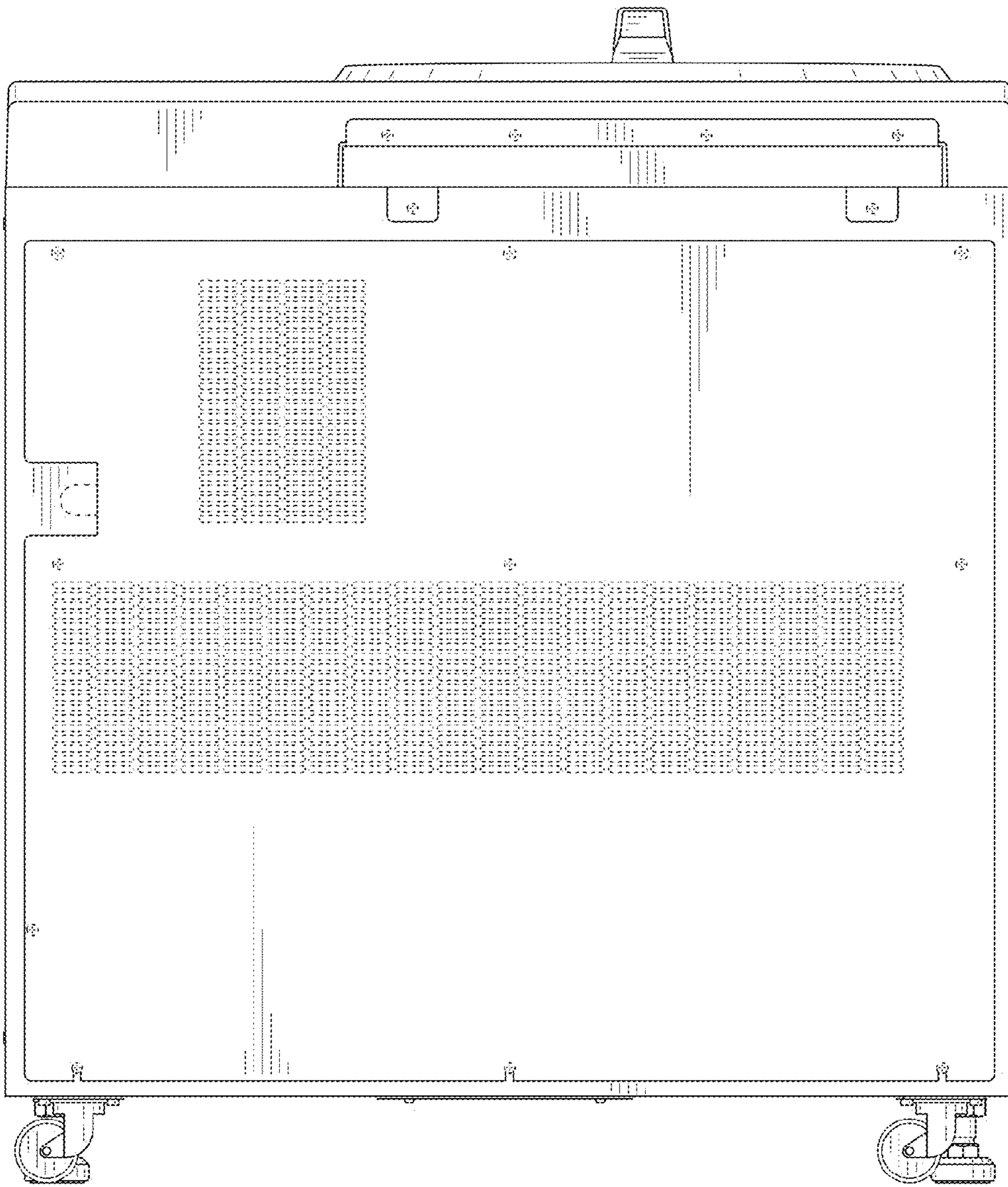


FIG. 3

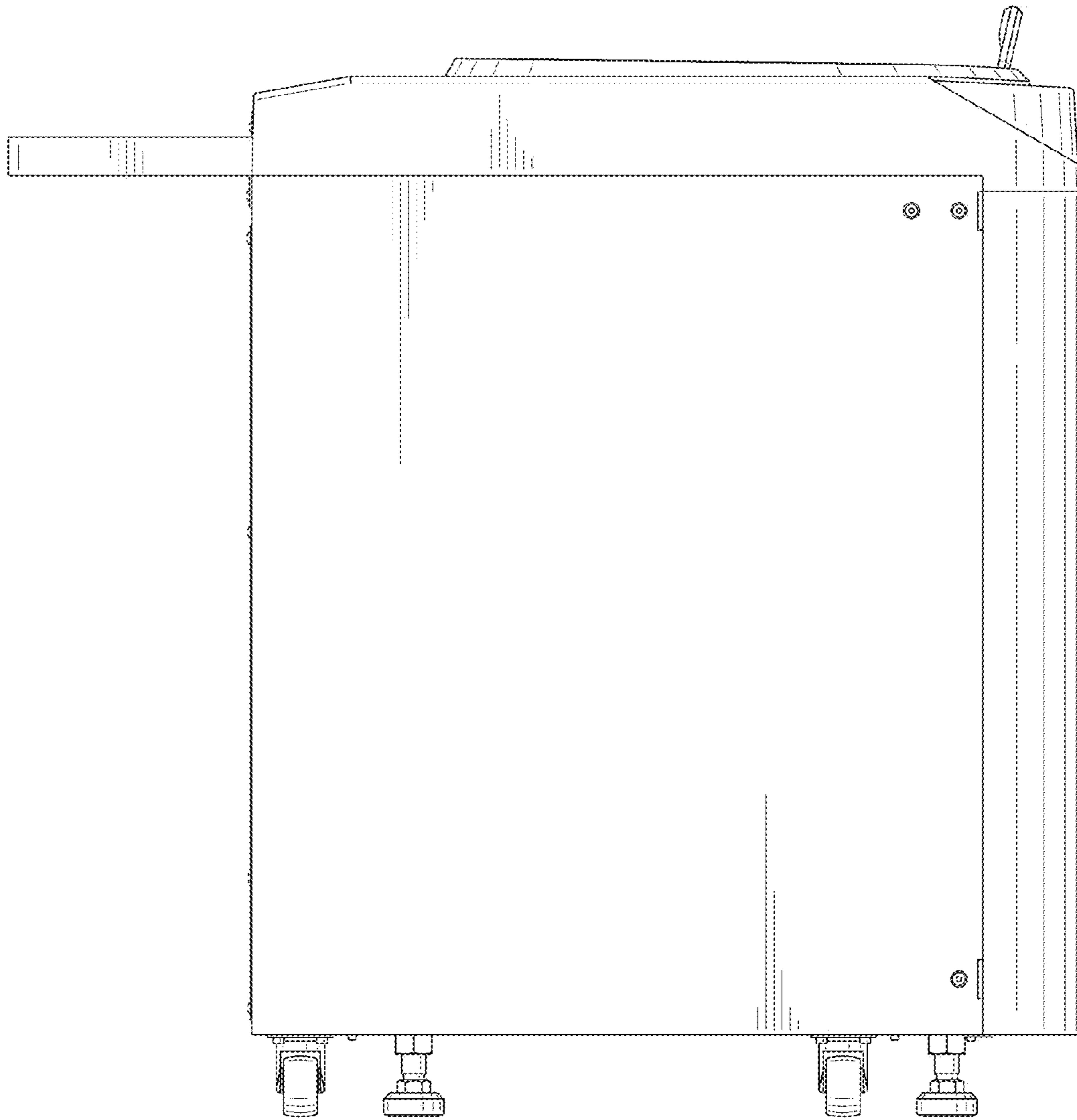


FIG. 4

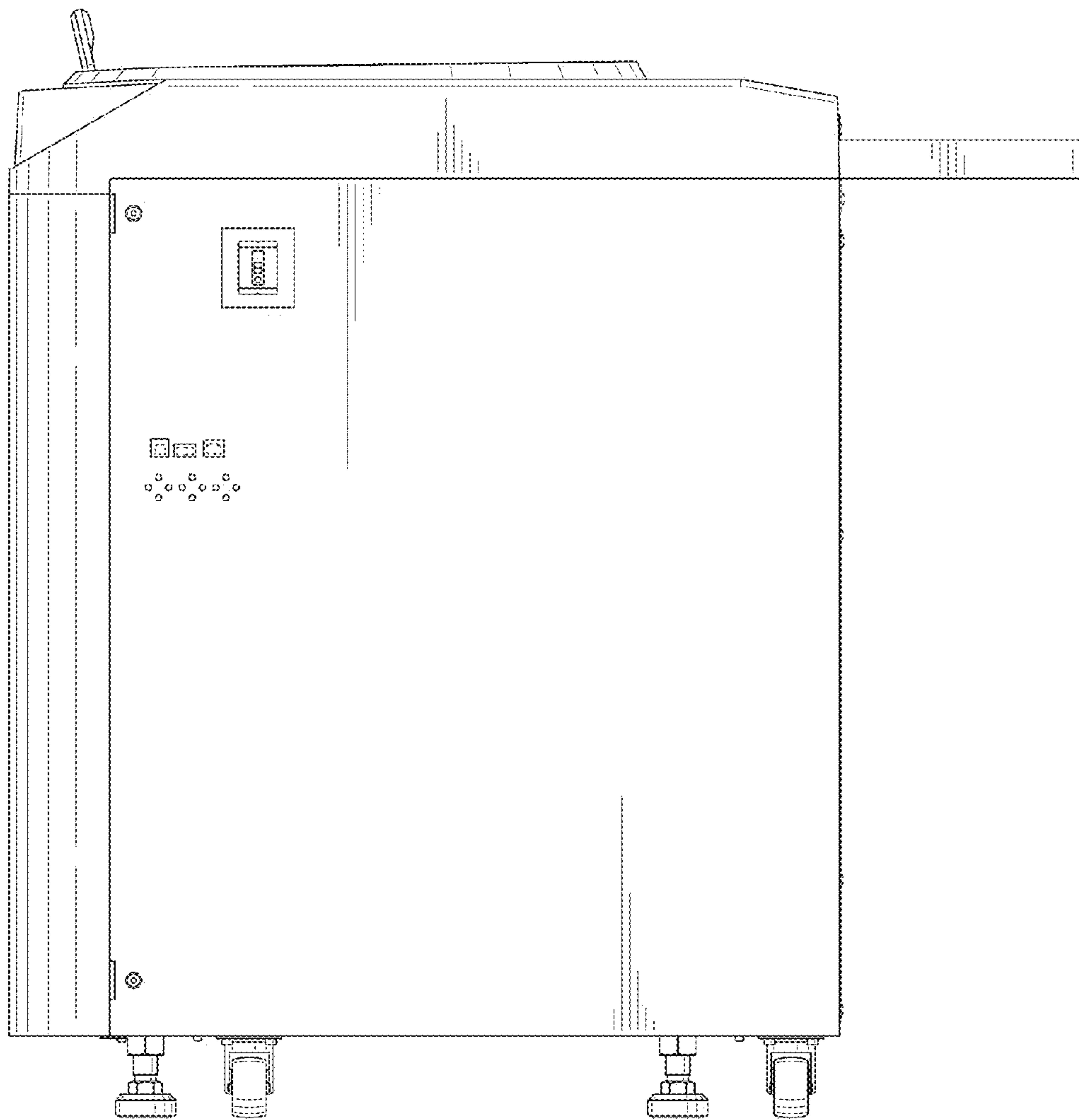


FIG. 5

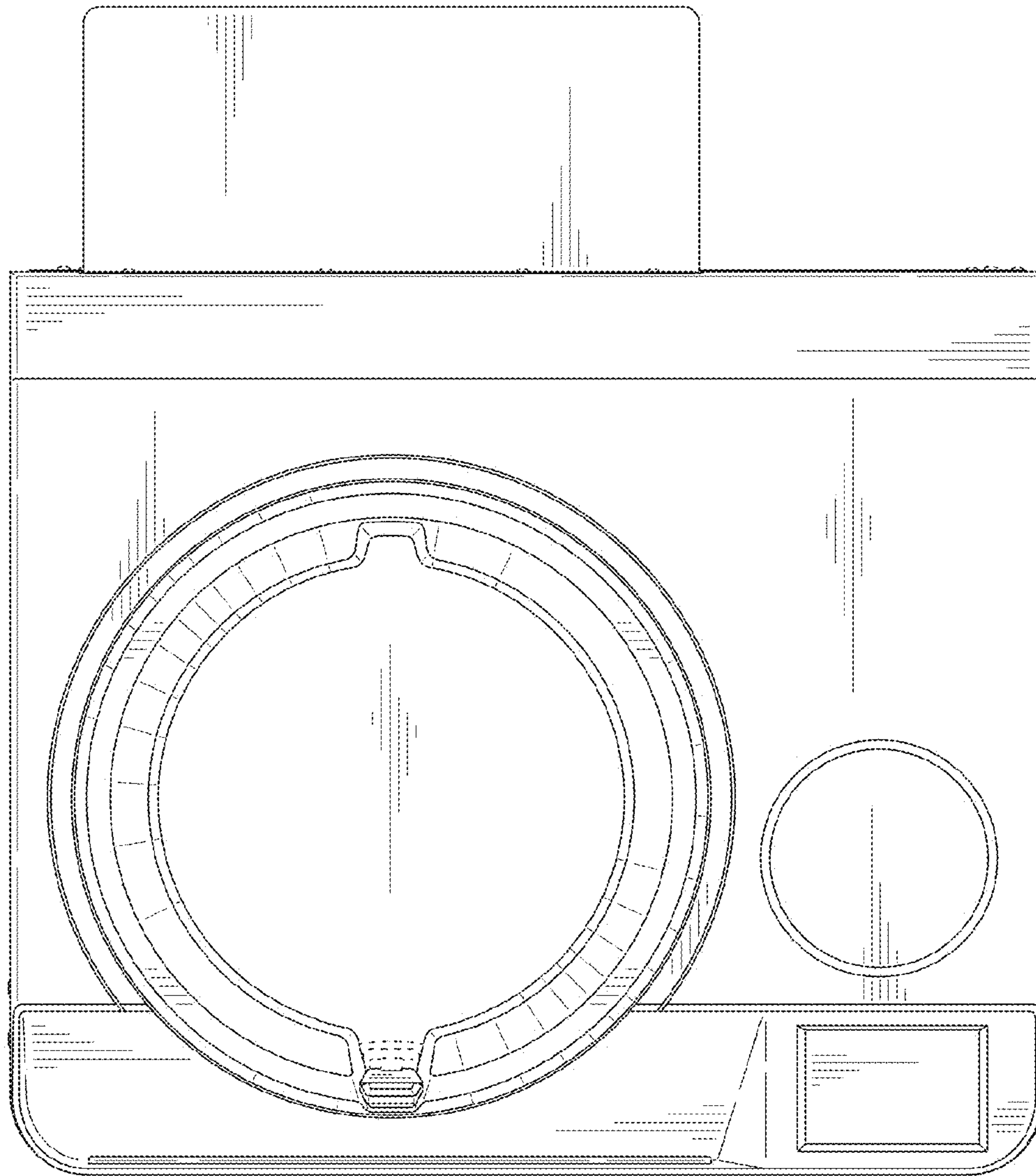


FIG. 6

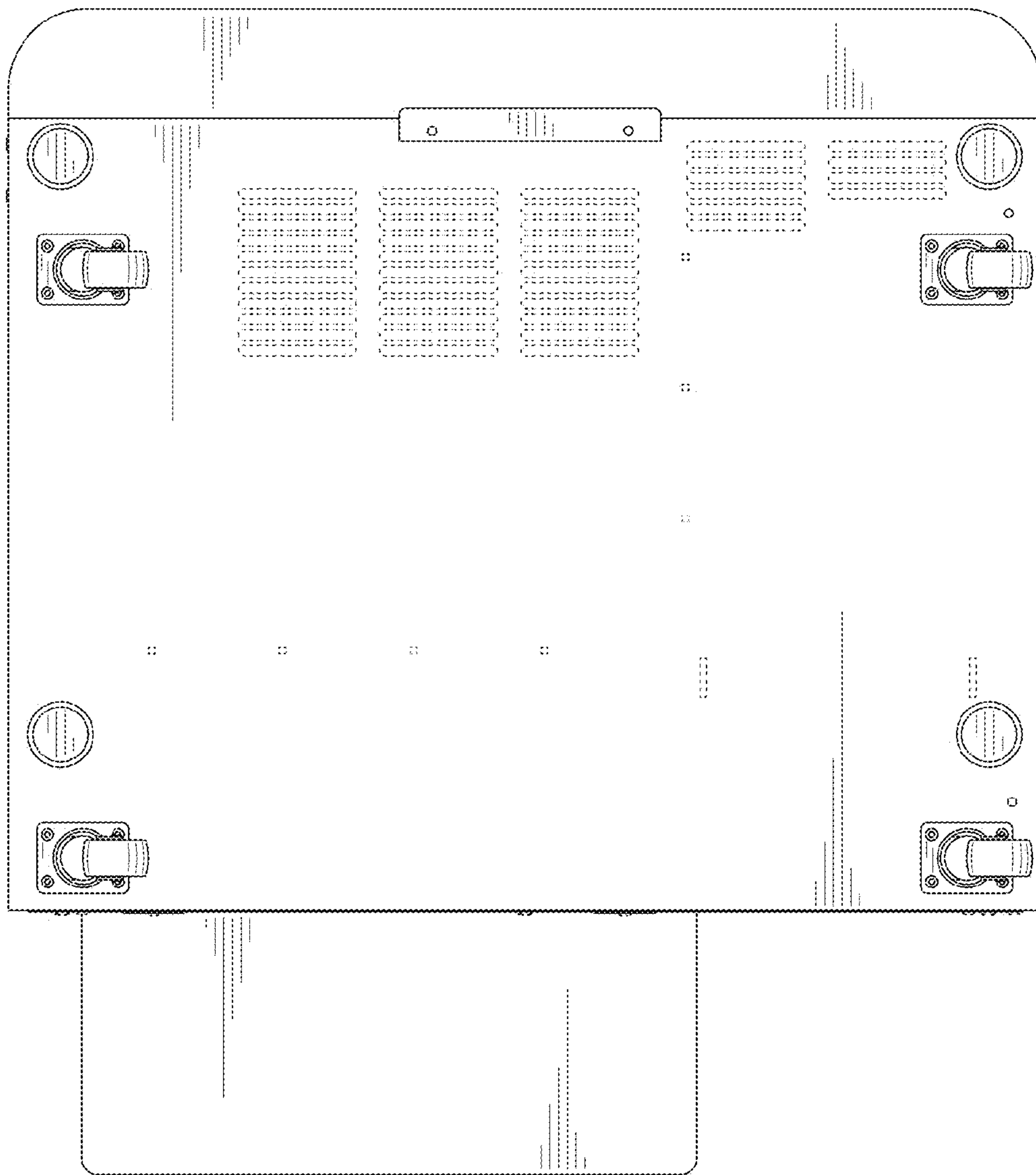


FIG. 7

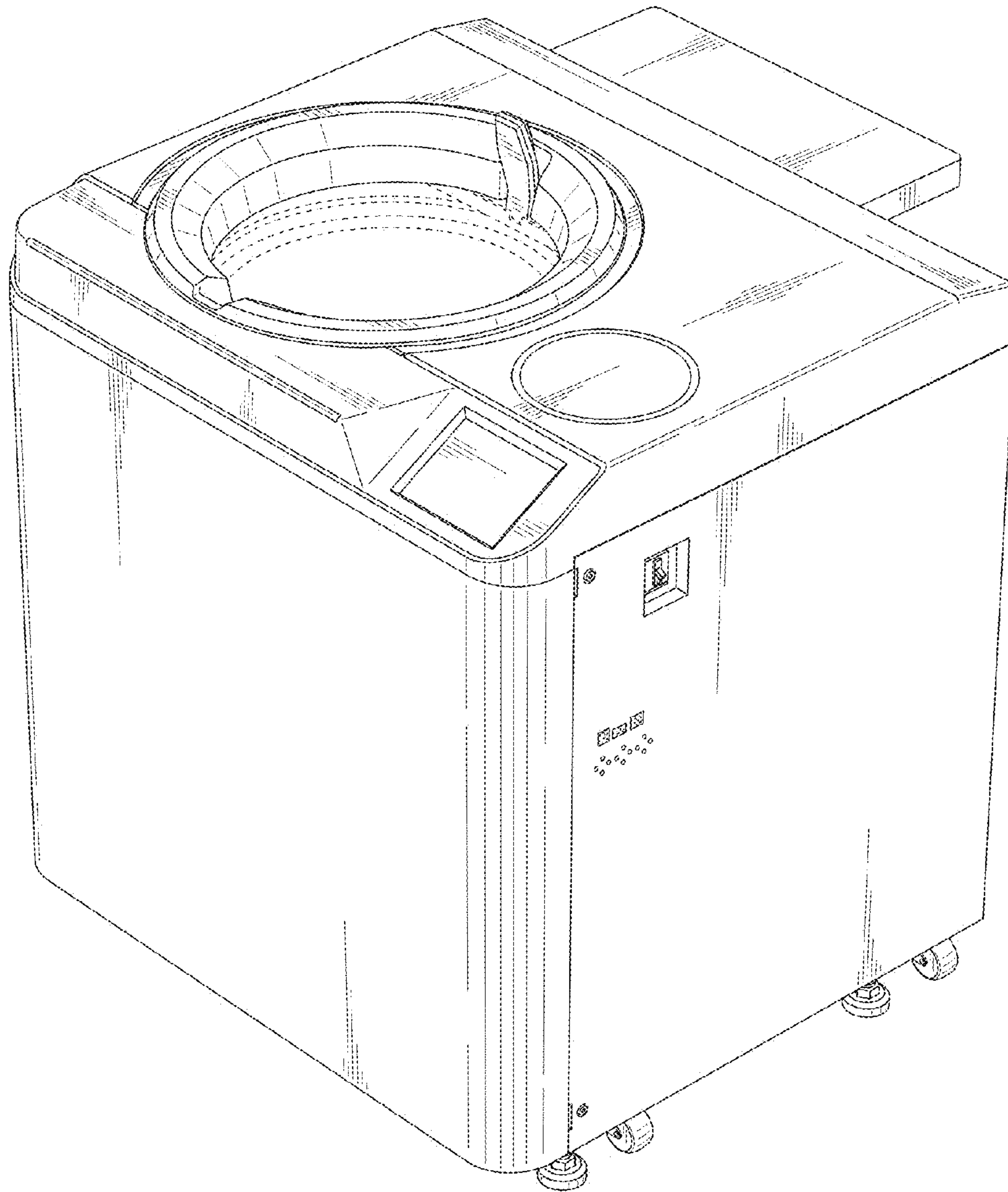


FIG. 8