



US00D752768S

(12) **United States Design Patent**  
**Bartolotta**

(10) **Patent No.:** **US D752,768 S**  
(45) **Date of Patent:** **\*\* Mar. 29, 2016**

(54) **MASSAGER**

(71) Applicant: **Nicolas Andrew Bartolotta**, Venice, CA  
(US)

(72) Inventor: **Nicolas Andrew Bartolotta**, Venice, CA  
(US)

(\*\*) Term: **15 Years**

(21) Appl. No.: **29/531,613**

(22) Filed: **Jun. 27, 2015**

(51) **LOC (10) Cl.** ..... **28-03**

(52) **U.S. Cl.**  
USPC ..... **D24/215**

(58) **Field of Classification Search**  
USPC ..... D24/200, 211, 212, 213, 214, 215,  
D24/189-193; 601/19, 27-33, 38, 46, 52,  
601/112, 118, DIG. 12, DIG. 14, DIG. 1,  
601/DIG. 16, DIG. 17; D30/160  
CPC ..... A61H 2201/0153; A61H 2201/0207;  
A61H 2201/0263; A61H 2201/0111; A61H  
2201/1253; A61H 2205/082; A61H 2205/085;  
A61H 15/0085; A61H 19/00; A61H 19/30;  
A61H 19/32; A61H 19/40; A61H 19/44;  
A61H 19/50

See application file for complete search history.

(56) **References Cited**

**U.S. PATENT DOCUMENTS**

D197,750 S \* 3/1964 Rosenberg ..... D24/211  
D341,426 S \* 11/1993 Hubbard ..... D24/211  
D372,313 S \* 7/1996 McMillan ..... D24/211  
D387,482 S \* 12/1997 Khan ..... D28/8.1

D406,389 S \* 3/1999 Henry ..... D28/7  
D548,851 S \* 8/2007 Huang ..... D24/214  
D581,543 S \* 11/2008 Ferber ..... D24/215  
D582,049 S \* 12/2008 Ferber ..... D24/214  
D582,563 S \* 12/2008 Ferber ..... D24/214  
D649,653 S \* 11/2011 Halvorsen ..... D24/215  
D718,870 S \* 12/2014 Hildebrand ..... D24/211  
D732,182 S \* 6/2015 Viner ..... D24/212  
D740,732 S \* 10/2015 Ernstsson ..... D12/179  
2009/0298656 A1 \* 12/2009 Dannenberg ..... A63B 22/14  
482/141

\* cited by examiner

*Primary Examiner* — Sandra Snapp

(74) *Attorney, Agent, or Firm* — Loza & Loza, LLP; Heidi Eisenhut

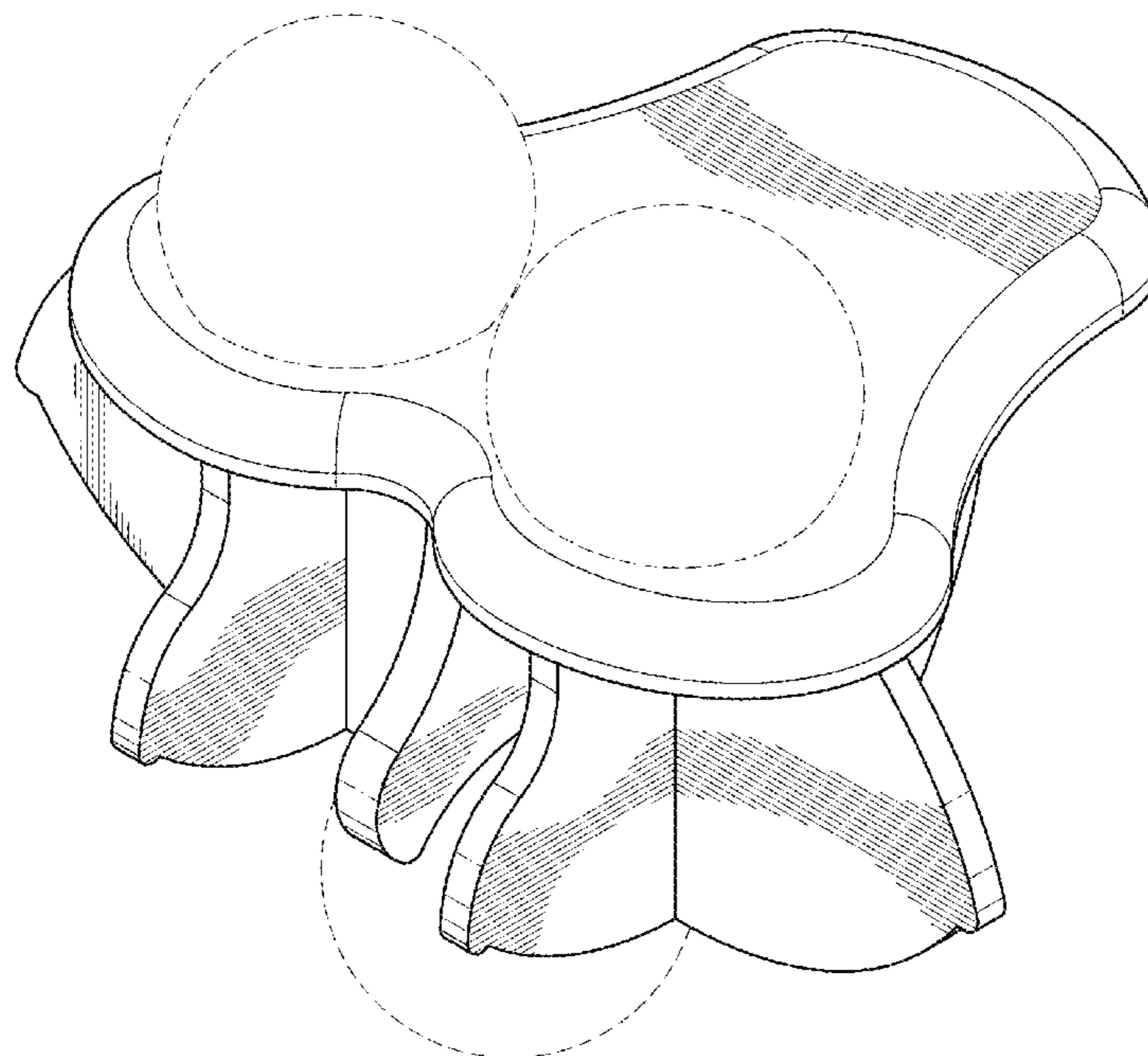
(57) **CLAIM**

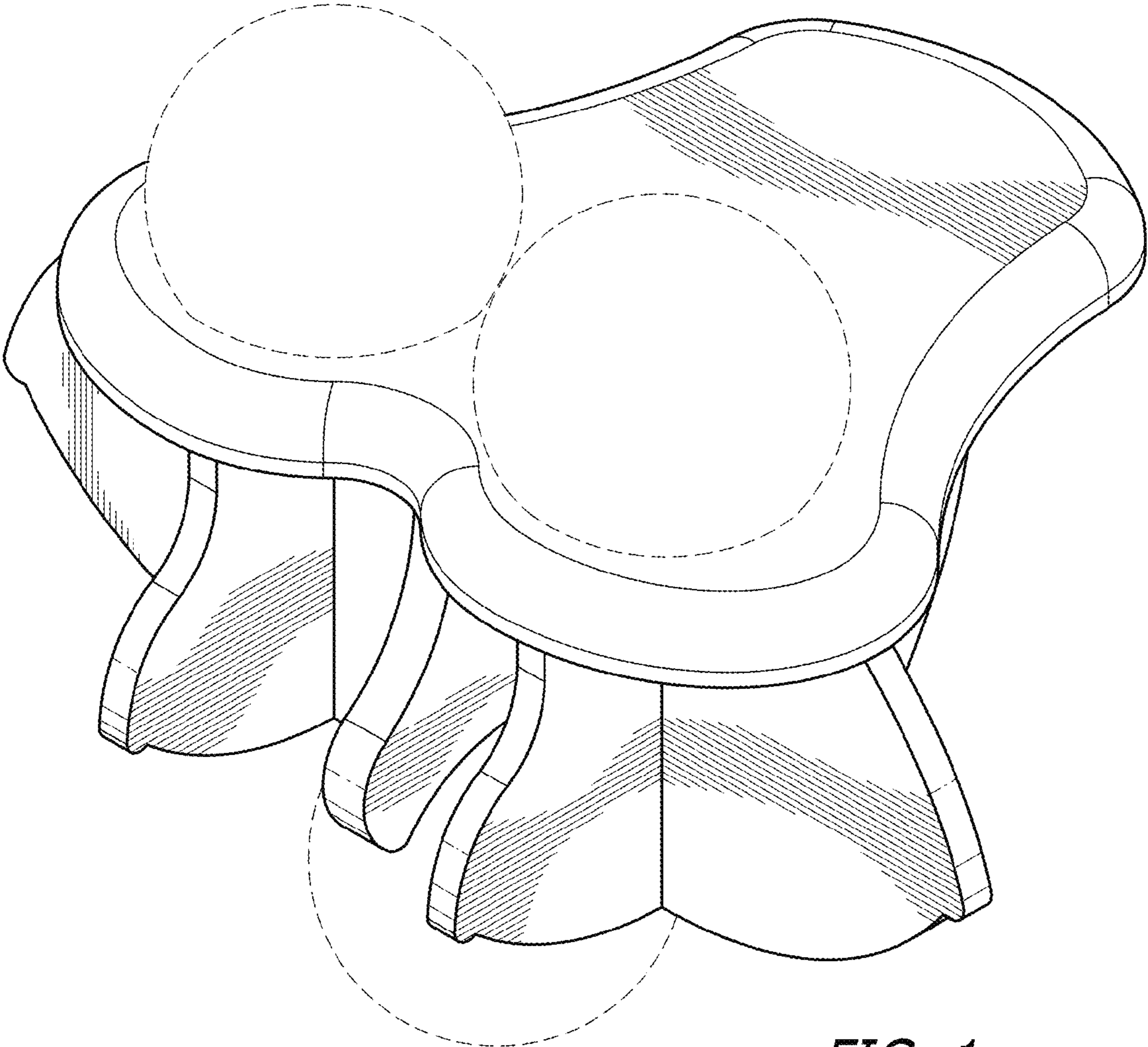
The ornamental design for a massager, as shown and described.

**DESCRIPTION**

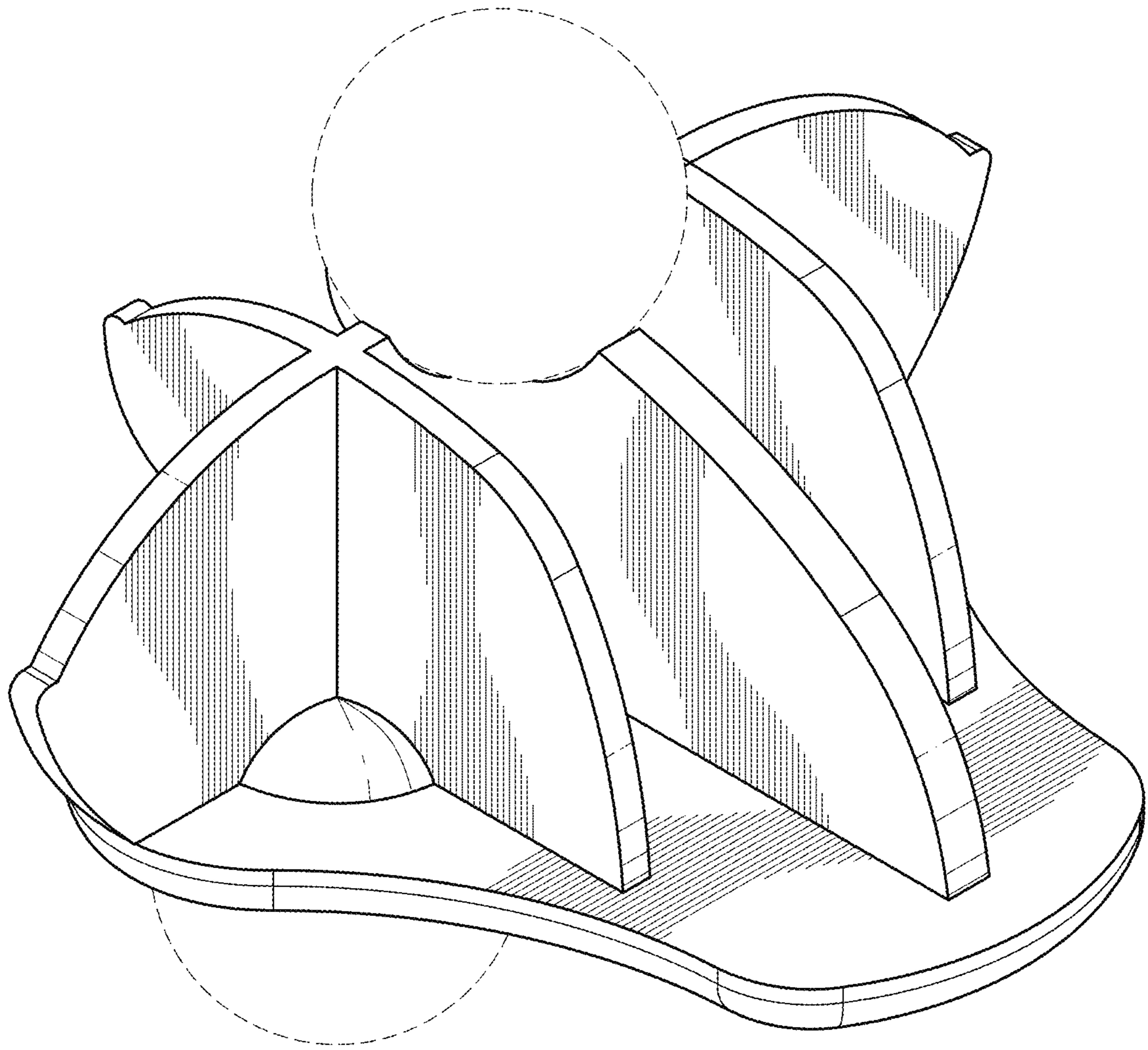
FIG. 1 is a top right perspective view of a massager of the present invention;  
FIG. 2 is a bottom left perspective view of the massager of FIG. 1;  
FIG. 3 is a front elevation view of the massager of FIG. 1;  
FIG. 4 is a back elevation view of the massager of FIG. 1;  
FIG. 5 is a left side elevation view of the massager of FIG. 1;  
FIG. 6 is a right elevation view of the massager of FIG. 1;  
FIG. 7 is a top plan view of the massager of FIG. 1; and,  
FIG. 8 is a bottom plan view of the massager of FIG. 1.  
Dashed lines indicate material disclaimed from the invention and are for purposes of illustration only.

**1 Claim, 7 Drawing Sheets**





*FIG. 1*



*FIG. 2*

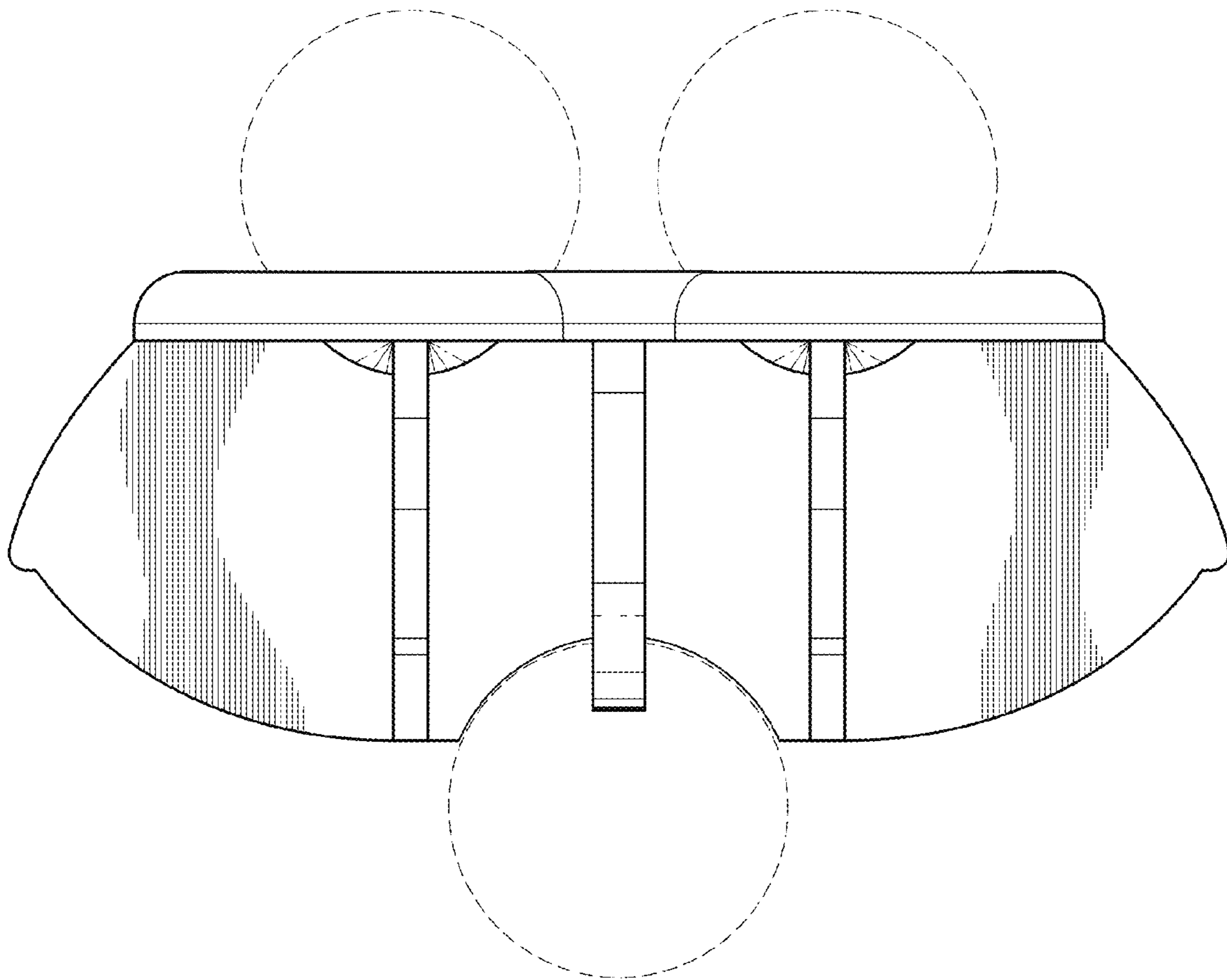


FIG. 3

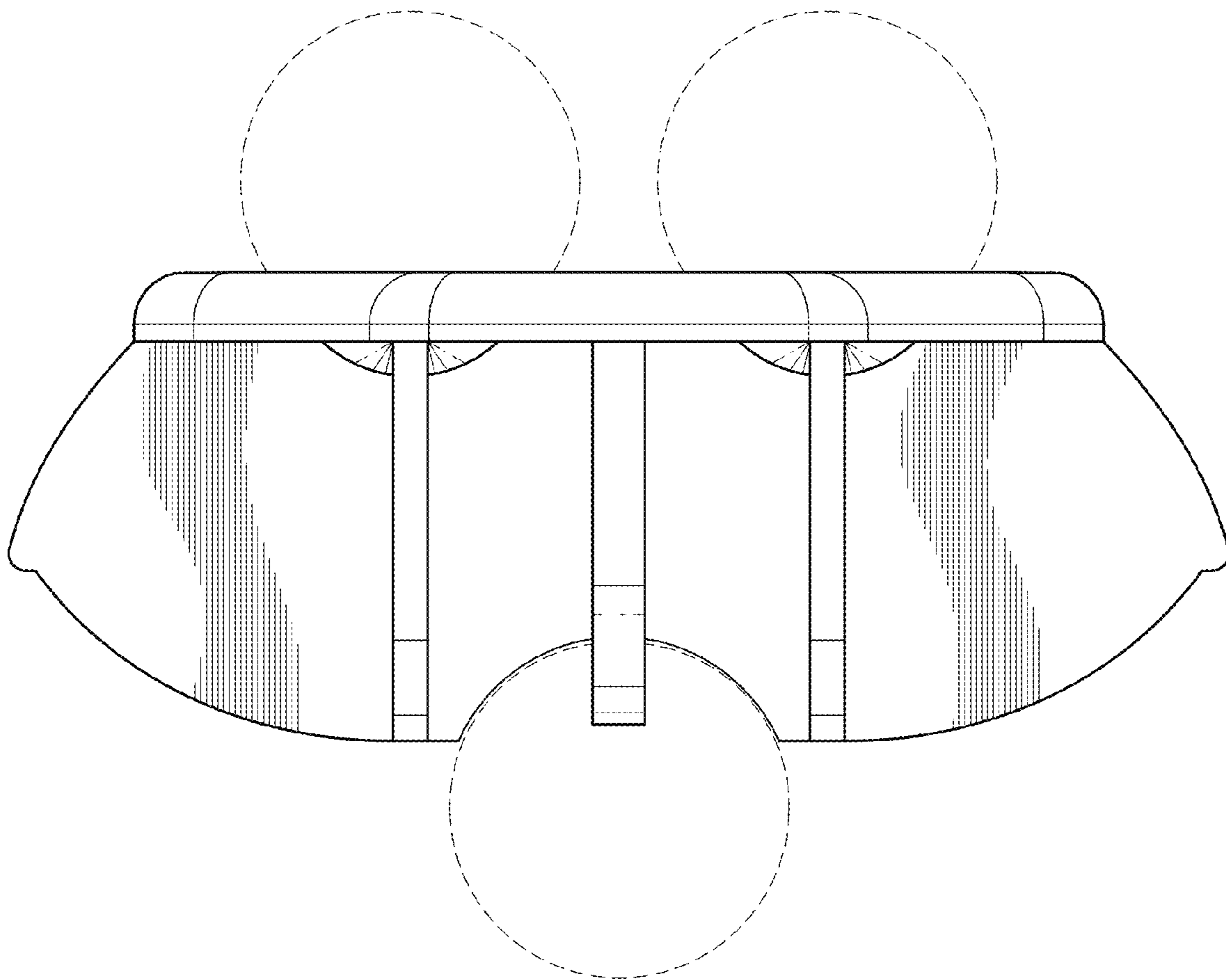


FIG. 4

FIG. 5

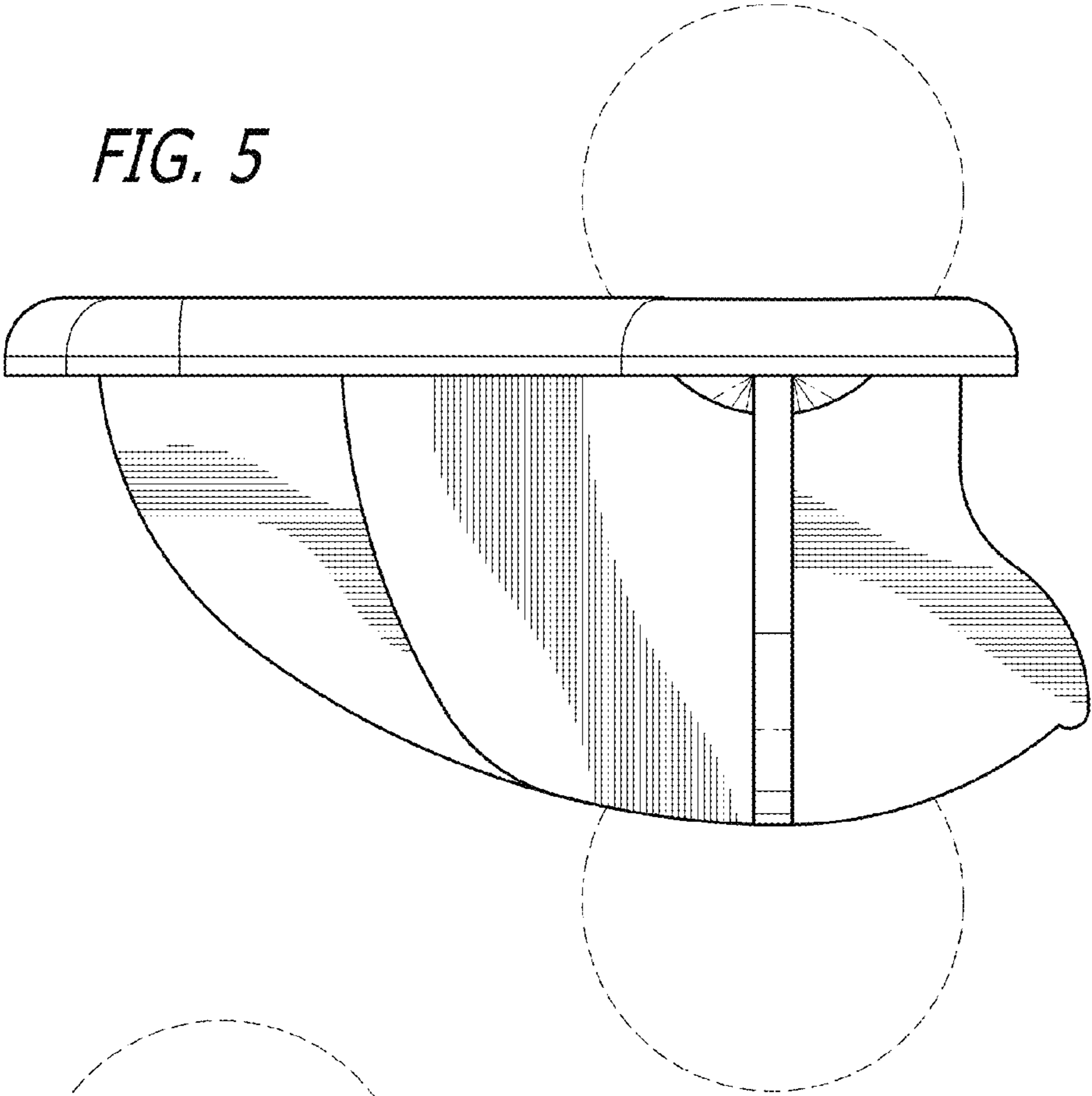
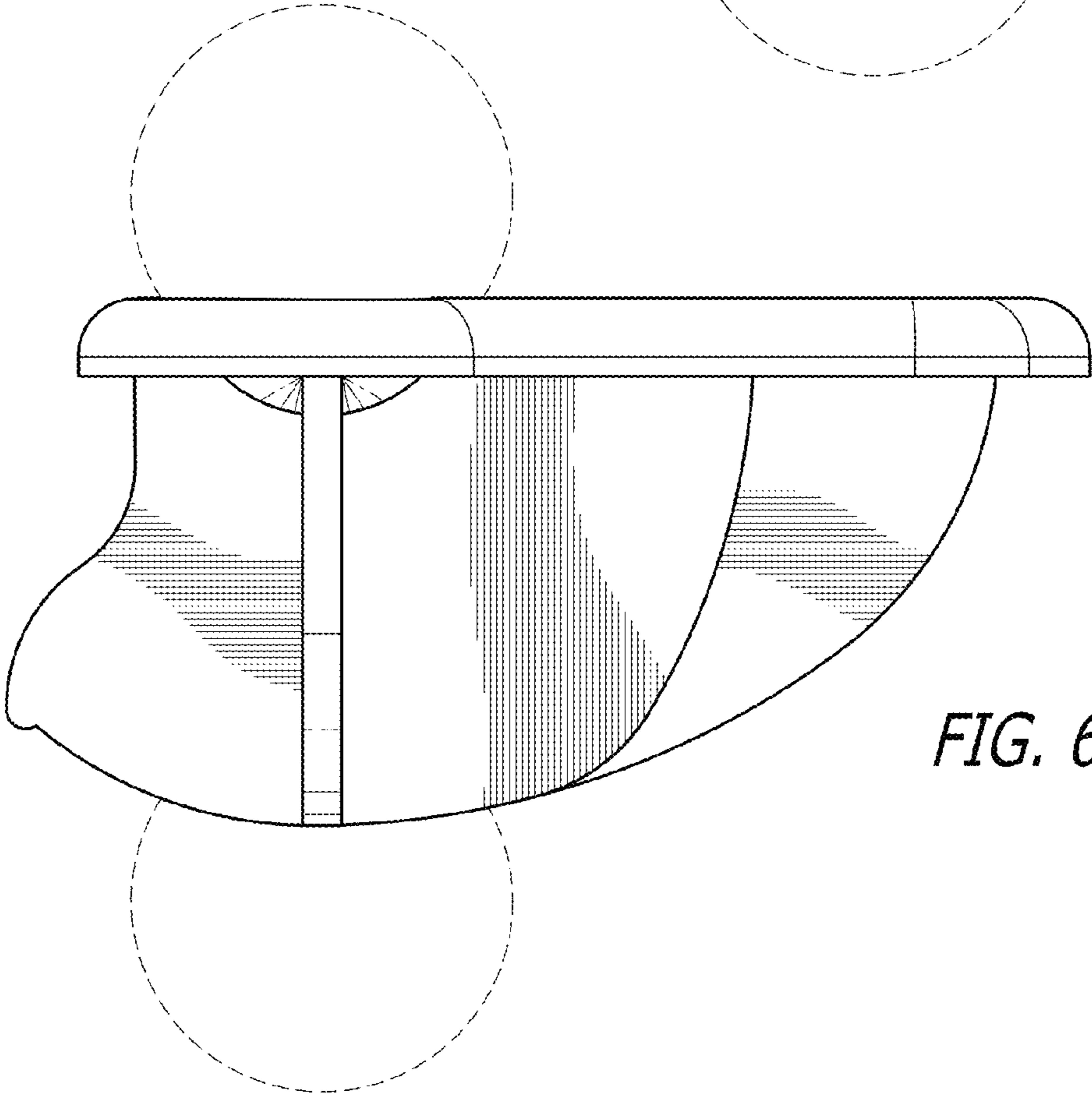


FIG. 6



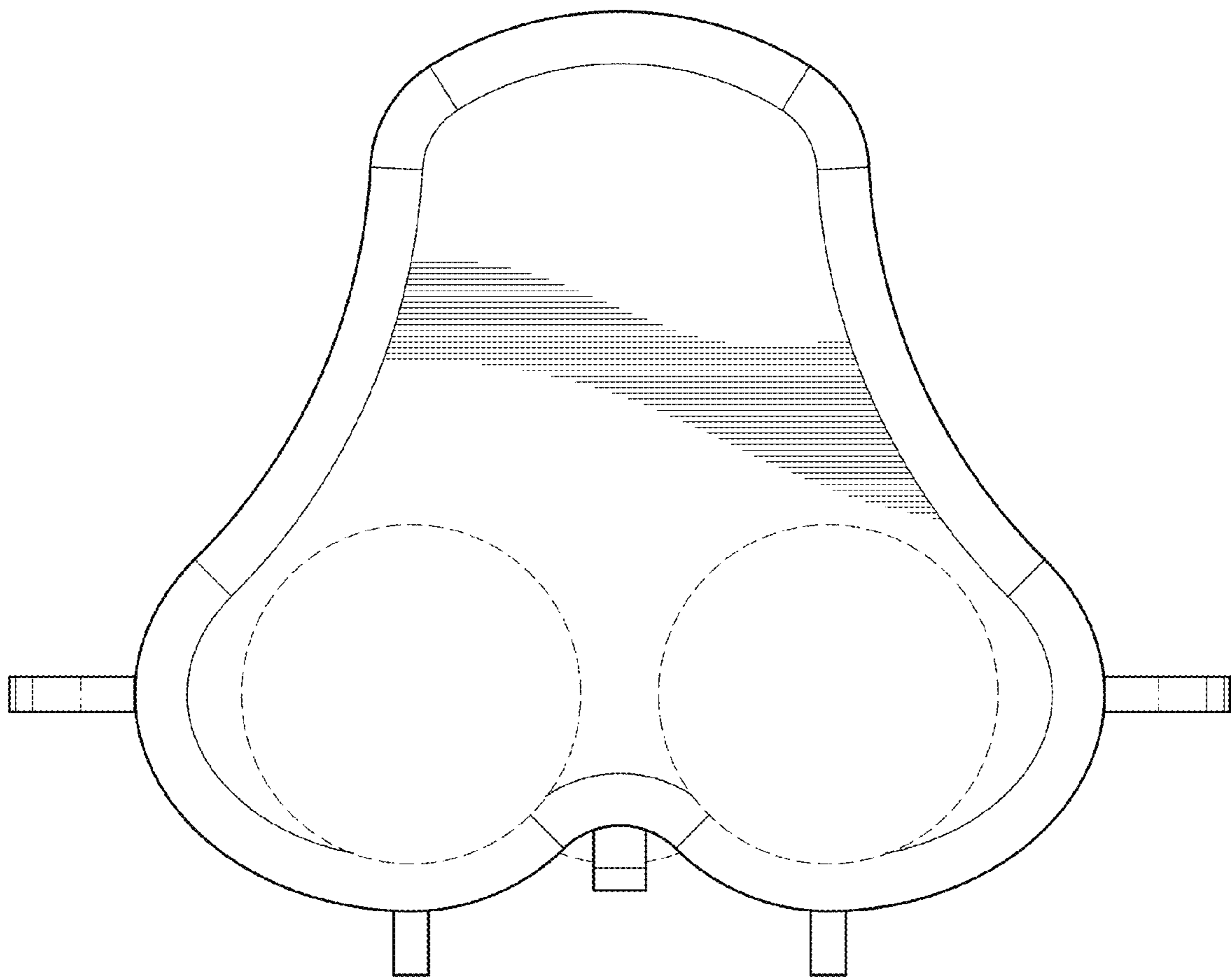
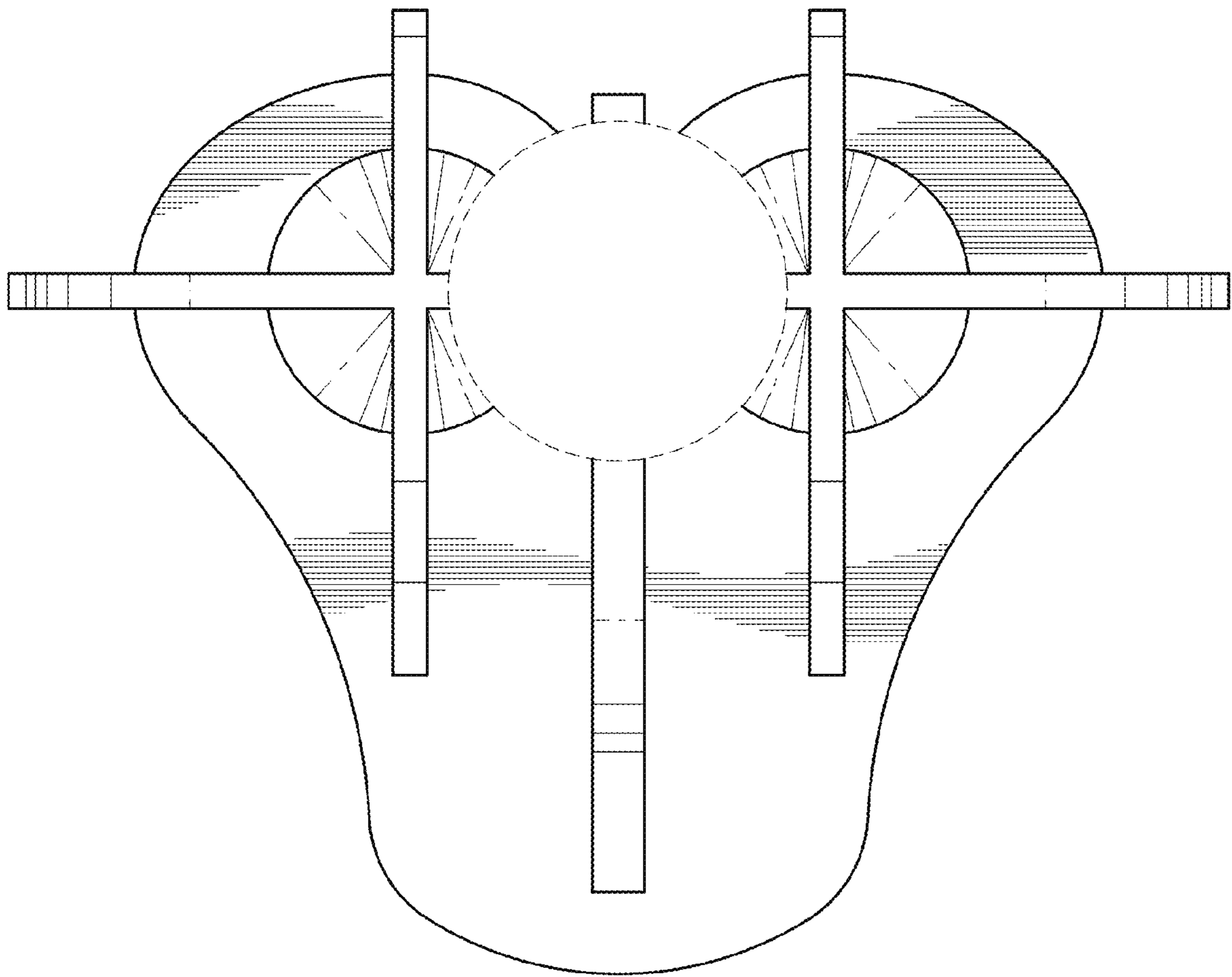


FIG. 7



*FIG. 8*