



US00D752765S

(12) **United States Design Patent**
Taylor et al.

(10) **Patent No.:** **US D752,765 S**
(45) **Date of Patent:** **** Mar. 29, 2016**

(54) **FEEDING POUCH WITH HOLDER**

(71) Applicant: **Very Smart Products LLC**, Cedar Falls, IA (US)

(72) Inventors: **Daniel Taylor**, Flemington, NJ (US);
David D McClanahan, Harleysville, PA (US)

(73) Assignee: **Very Smart Products LLC**, Cedar Falls, IA (US)

(**) Term: **14 Years**

(21) Appl. No.: **29/500,600**

(22) Filed: **Aug. 26, 2014**

(51) **LOC (10) Cl.** **07-01**

(52) **U.S. Cl.**
USPC **D24/197; D24/199**

(58) **Field of Classification Search**
USPC D24/127, 128, 129, 193, 196, 197, 198,
D24/199, 207; D9/444, 452, 516, 530, 719,
D9/761; 220/227, 235, 694, 703, 714, 727,
220/745; 215/11.1, 11.2, 11.3, 11.4, 11.5,
215/11.6; D7/510, 511
CPC A61J 7/00; A61J 9/00
See application file for complete search history.

(56) **References Cited**

U.S. PATENT DOCUMENTS

D244,776 S *	6/1977	Meeker	D24/198
5,183,229 A *	2/1993	Duggan	248/102
5,921,431 A *	7/1999	Pych	220/742
6,938,788 B2 *	9/2005	White	215/384
D563,609 S *	3/2008	Gick	D30/160
D620,320 S *	7/2010	Carter	D7/625
D621,259 S *	8/2010	Joy et al.	D9/444
D635,685 S *	4/2011	Hendricks et al.	D24/199

D644,072 S *	8/2011	McDonald et al.	D7/667
D701,091 S *	3/2014	Joy	D7/624.2
D707,087 S *	6/2014	Joy	D7/624.2
2010/0179593 A1 *	7/2010	Lamar	606/236
2014/0014605 A1 *	1/2014	Kilgore et al.	211/85.25

OTHER PUBLICATIONS

“The Ba Review”. babyrecs.com. Web. Mar. 1, 2012.*

* cited by examiner

Primary Examiner — Robert M Spear

Assistant Examiner — Kendra L Hamilton

(74) *Attorney, Agent, or Firm* — Invention to Patent Services; Alex Hobson

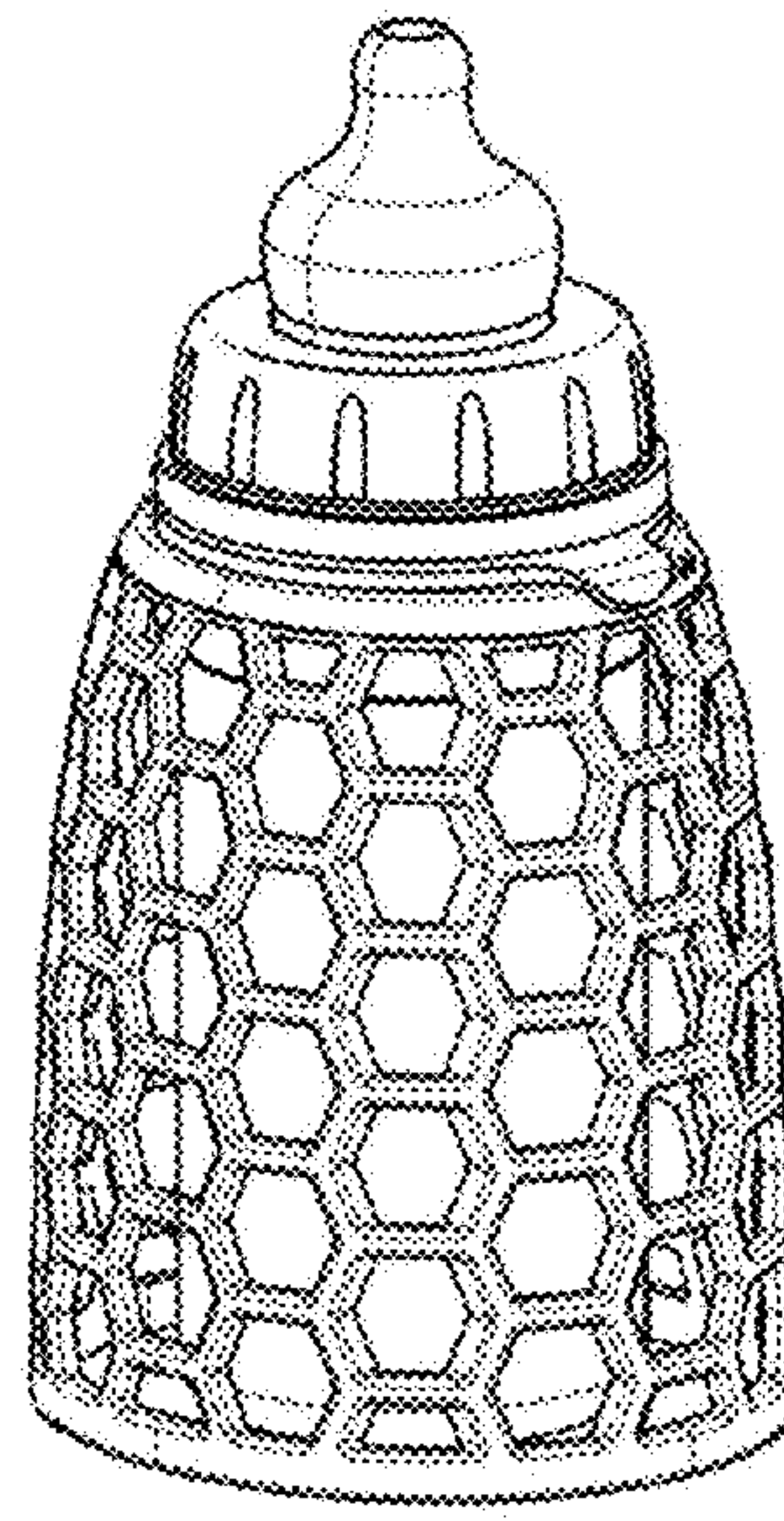
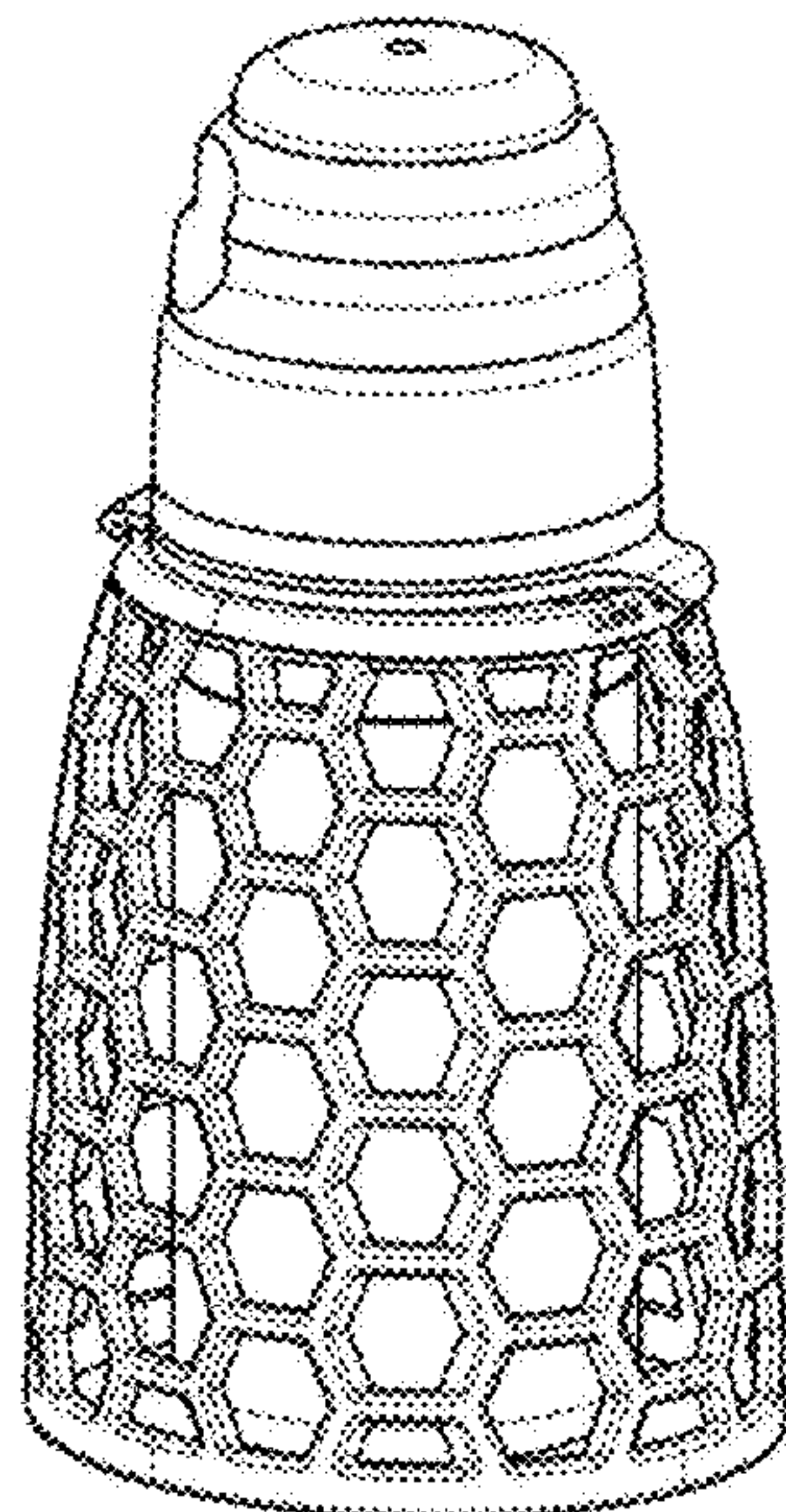
(57) **CLAIM**

The ornamental design for a feeding pouch with holder, as shown and described.

DESCRIPTION

FIG. 1 is a top perspective view of a feeding pouch with holder, showing our new design;
 FIG. 2 is a top perspective view of a feeding pouch with holder shown in FIG. 1, with the cap removed for clarity of disclosure;
 FIG. 3 is a bottom perspective view thereof;
 FIG. 4 is a front elevational view thereof;
 FIG. 5 is a side elevational view thereof;
 FIG. 6 is a top plan view of the feeding pouch with holder shown in FIG. 4;
 FIG. 7 is a bottom plan view of the feeding pouch with holder shown in FIG. 4;
 FIG. 8 is a top perspective view thereof, with the feeding pouch partially removed from the holder for clarity of disclosure; and,
 FIG. 9 is a top perspective view thereof, with the holder removed for clarity of disclosure.

1 Claim, 3 Drawing Sheets



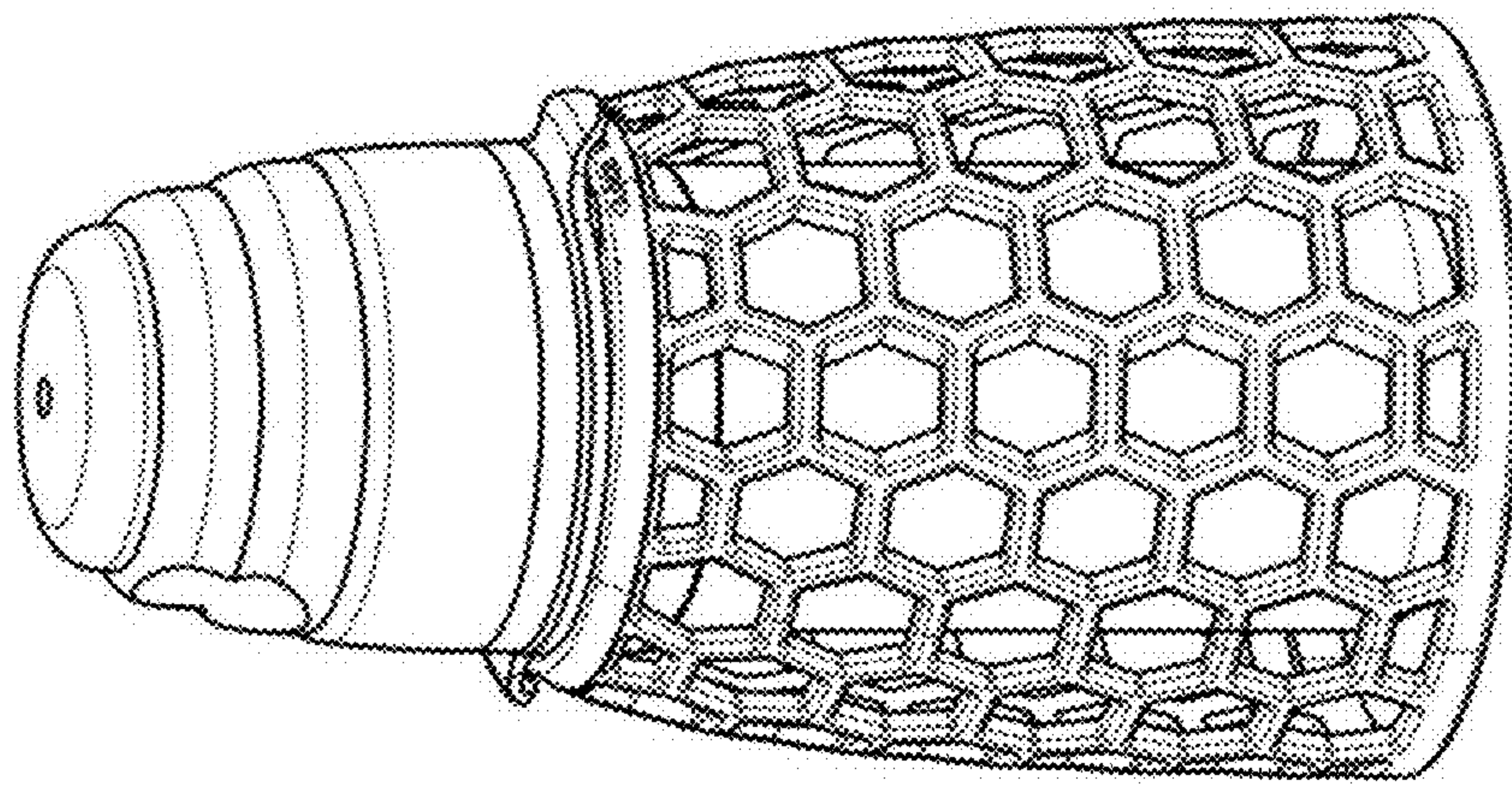


FIG. 1

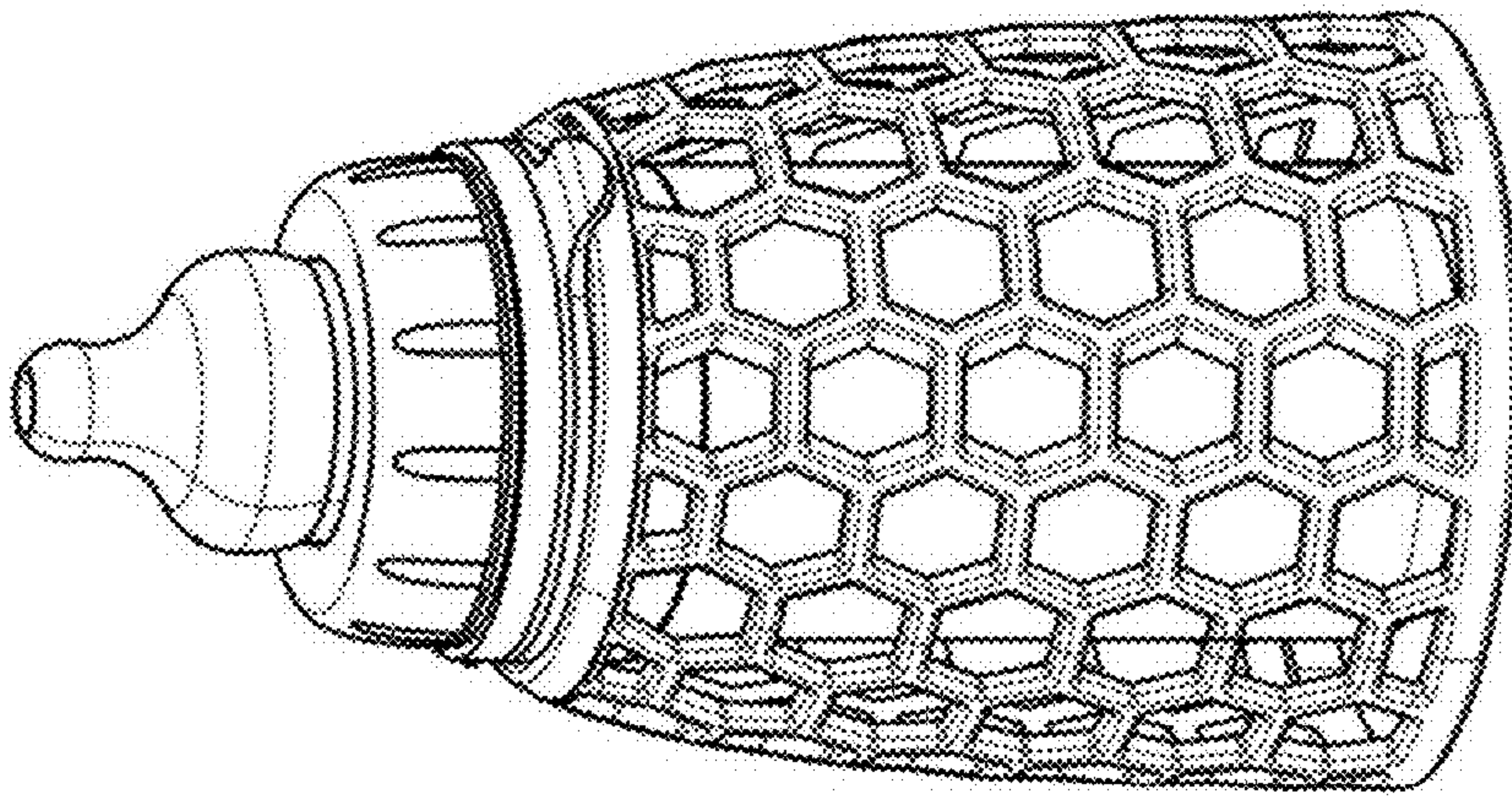


FIG. 2

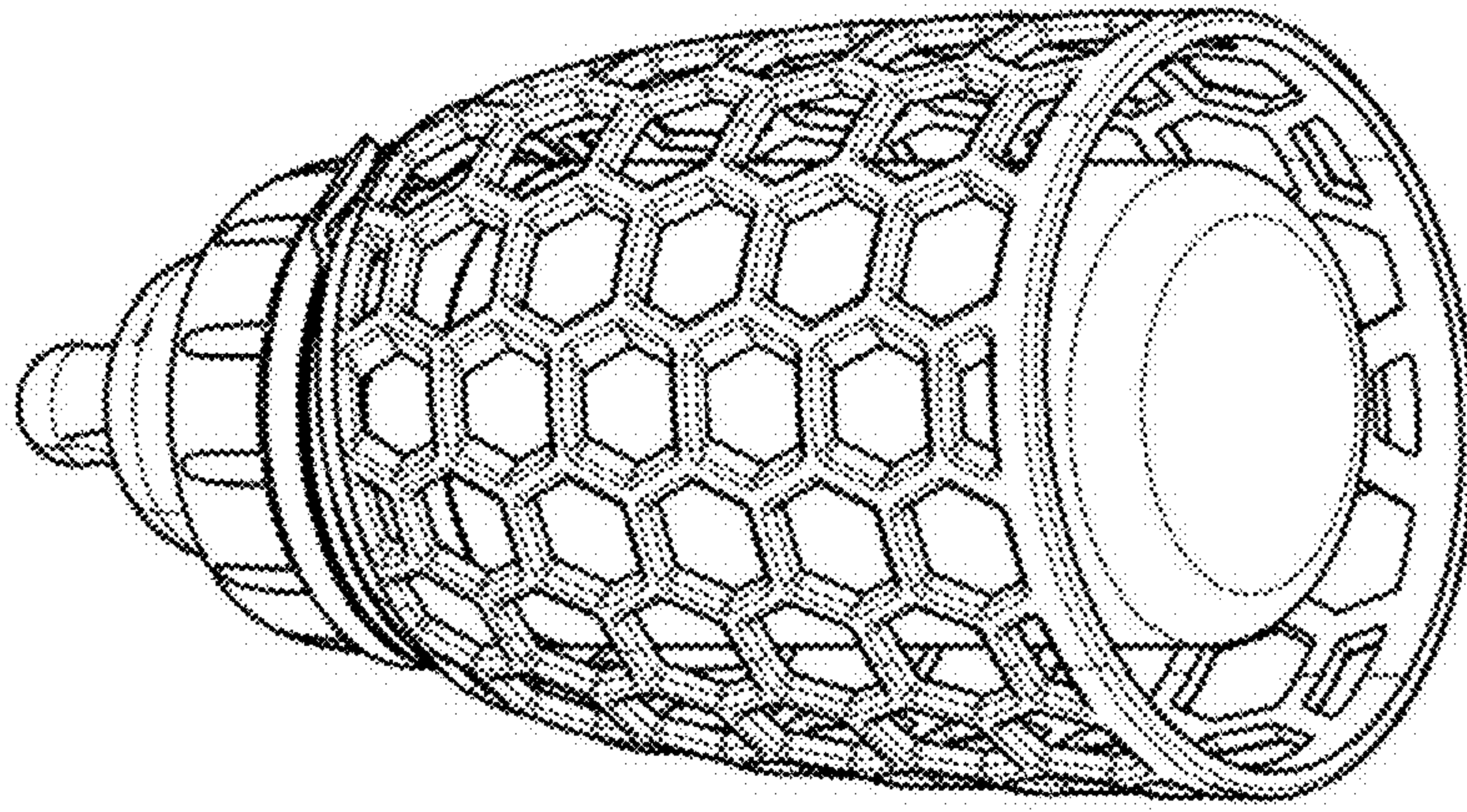


FIG. 3

FIG. 6

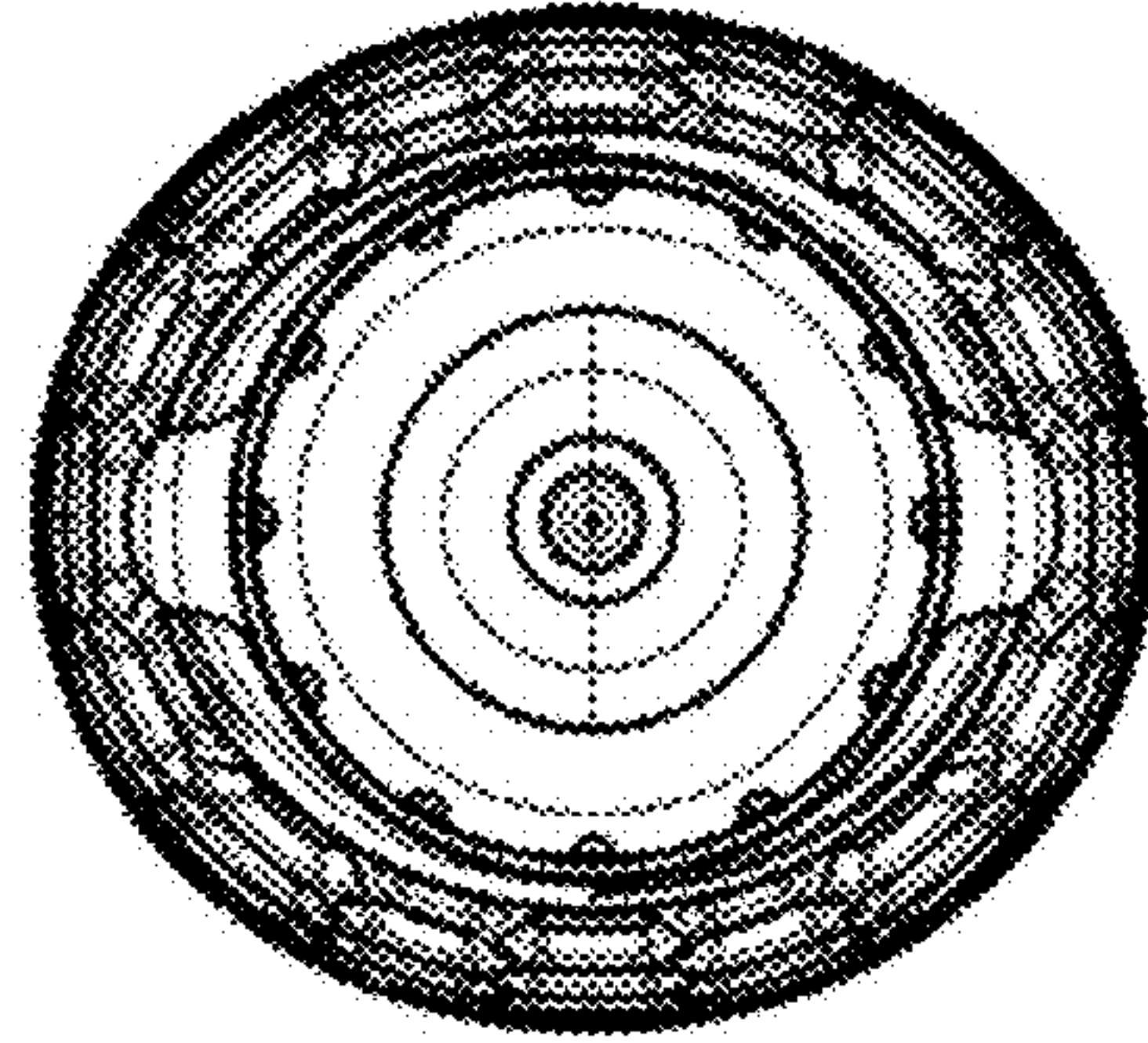


FIG. 4

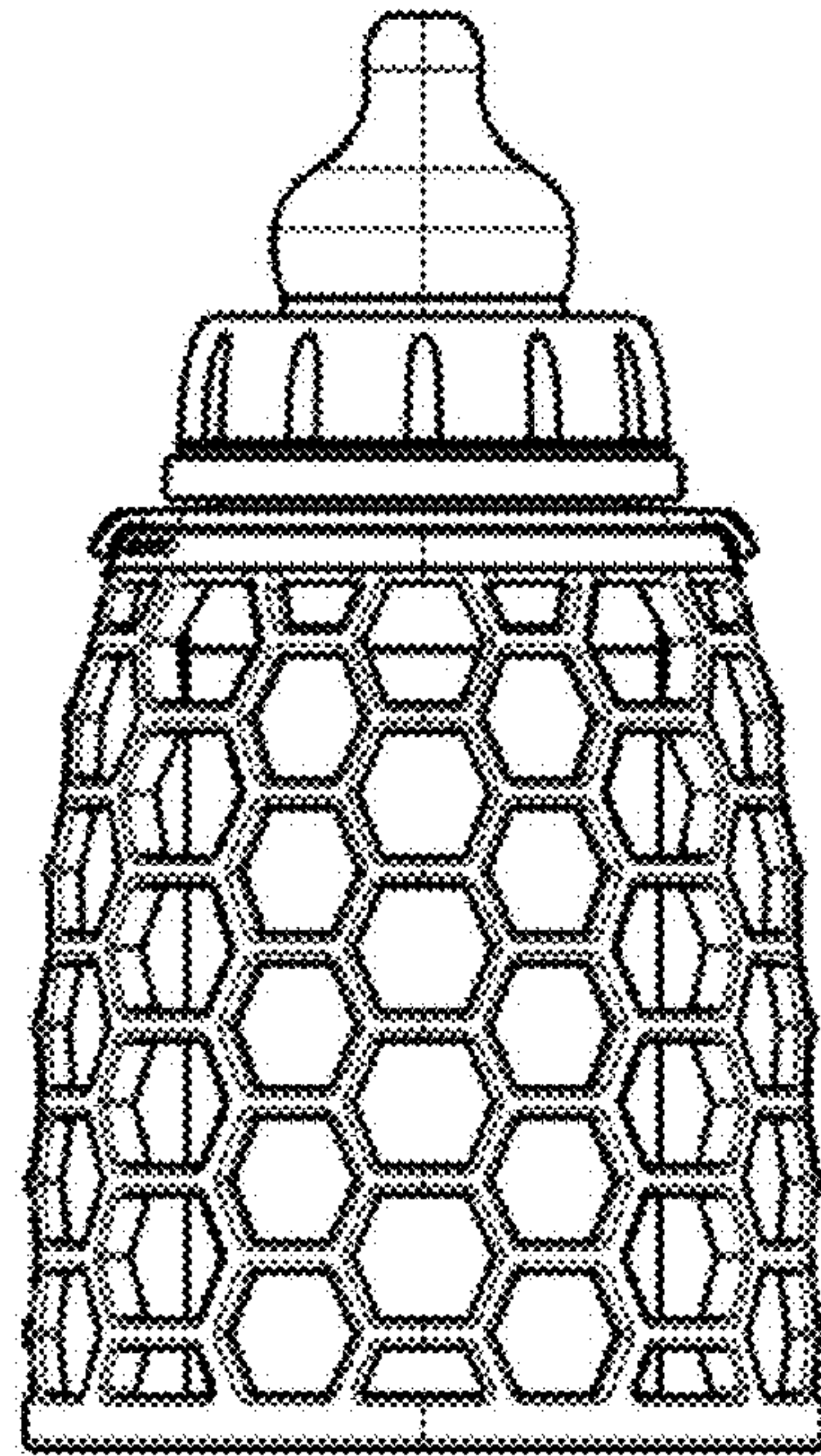


FIG. 5

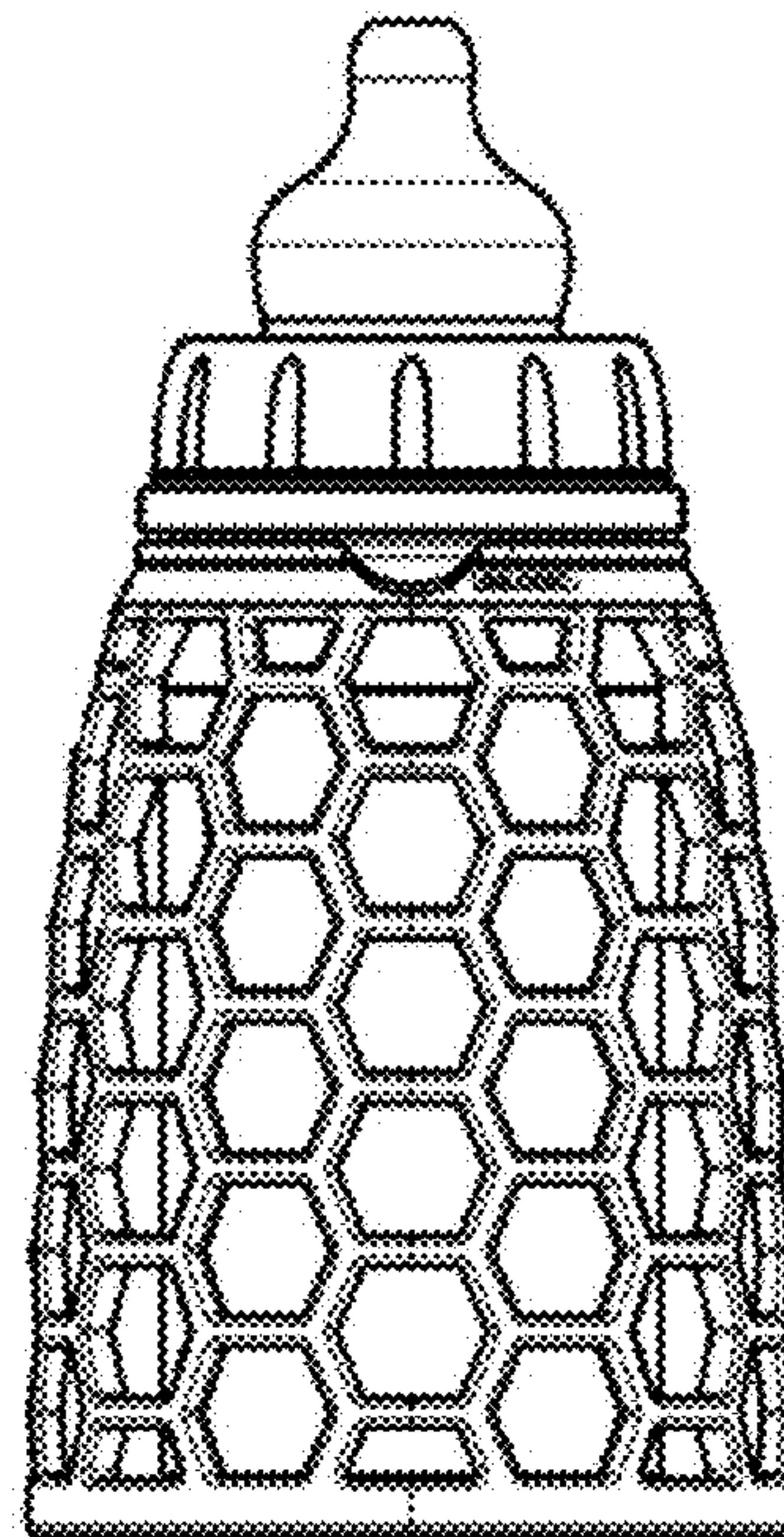
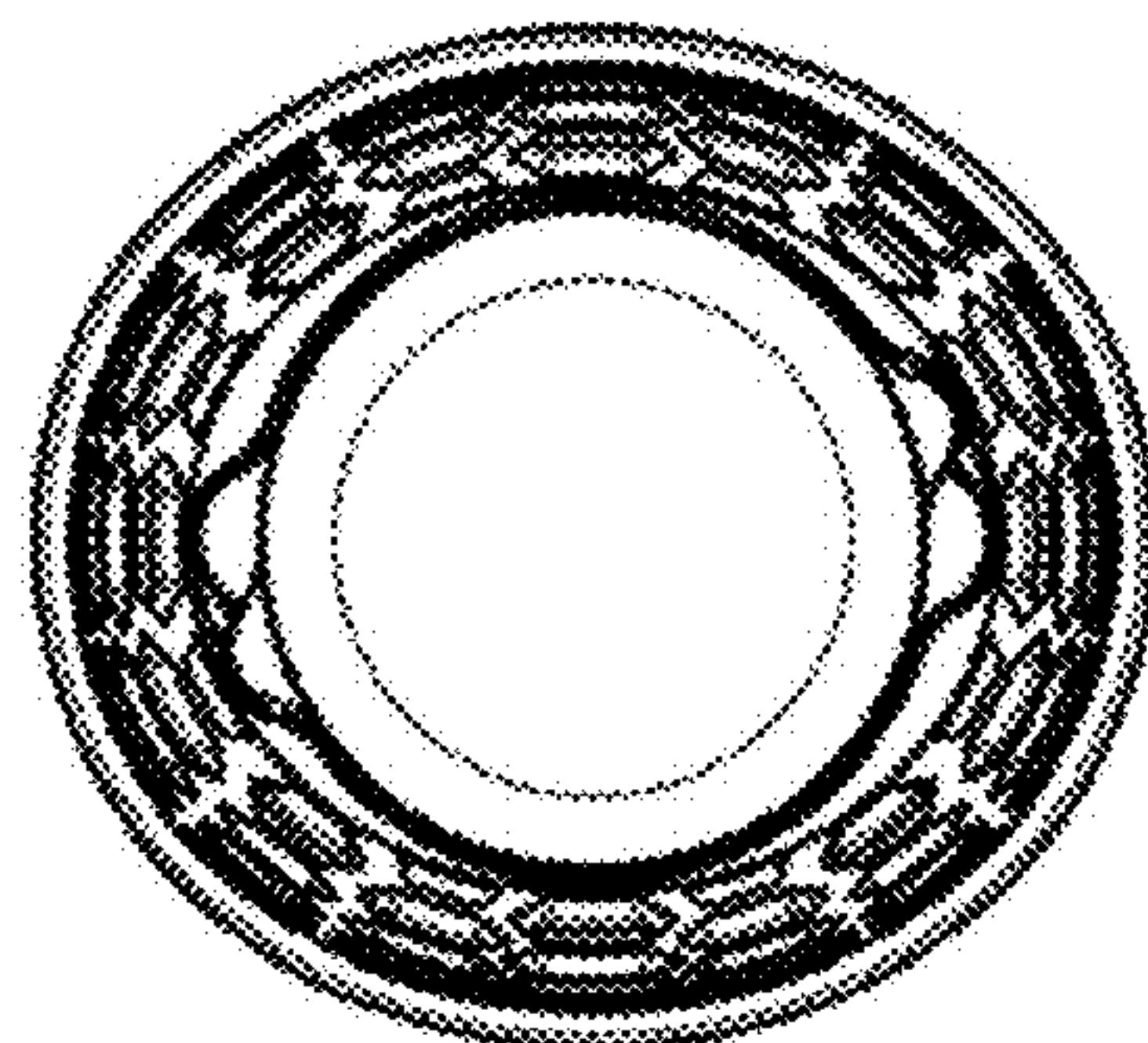


FIG. 7



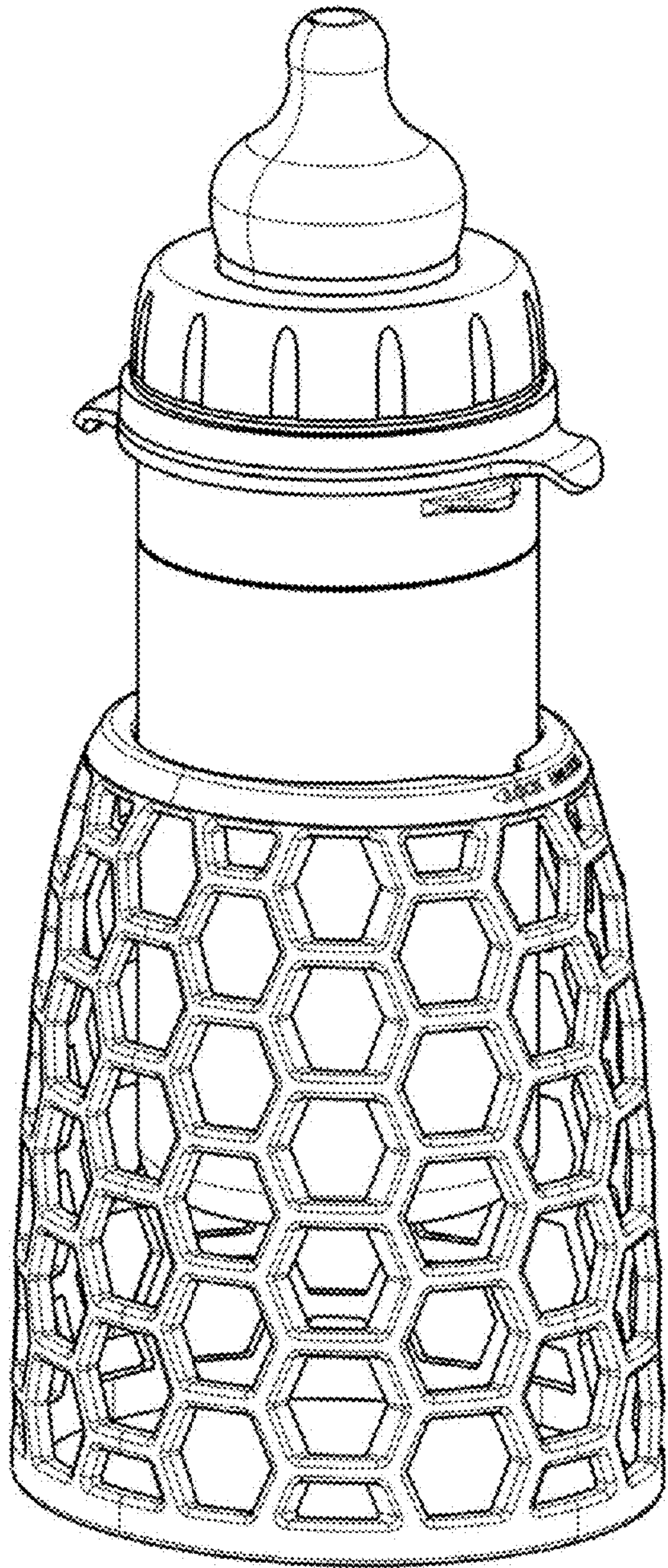


FIG. 8

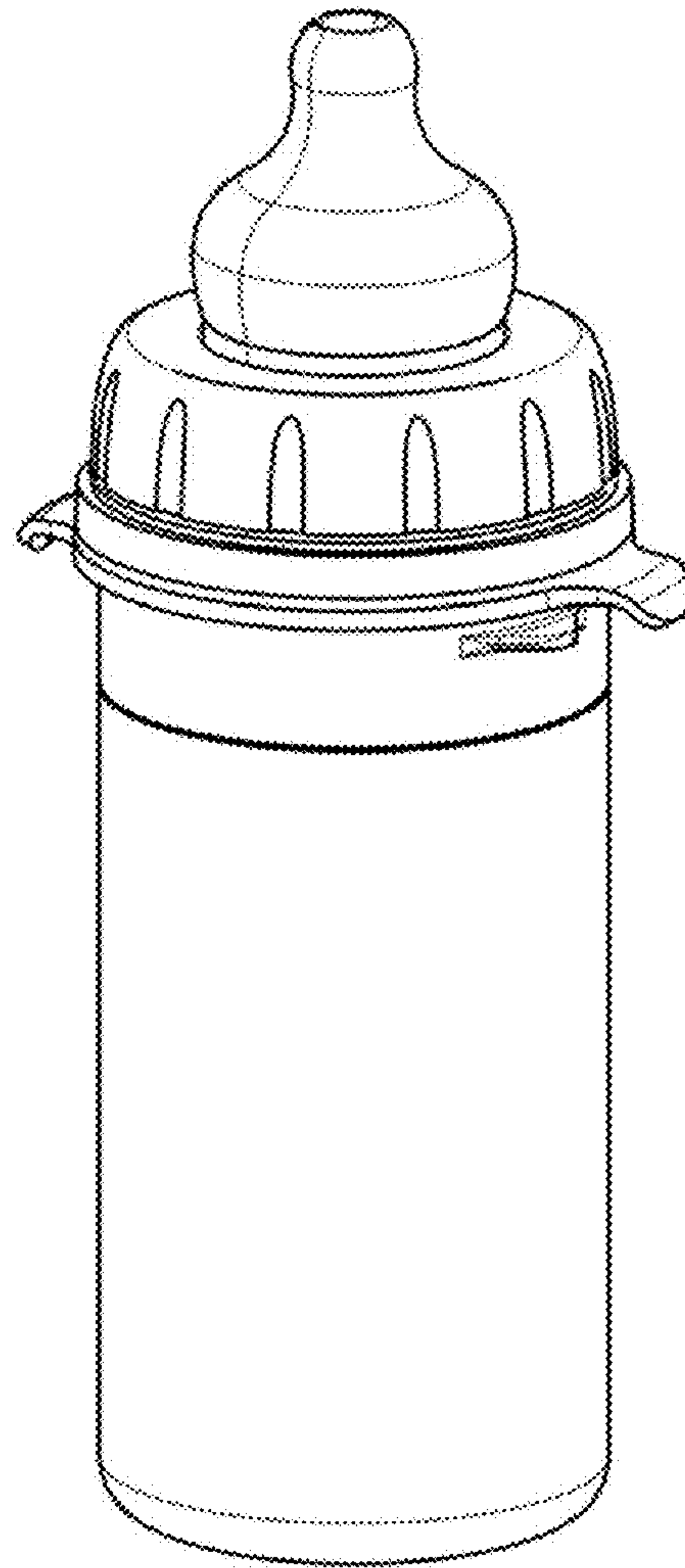


FIG. 9