



US00D752757S

(12) **United States Design Patent**
Li et al.

(10) **Patent No.:** **US D752,757 S**
(45) **Date of Patent:** **** Mar. 29, 2016**

(54) **RAD TABLE WITH FLOATING TABLE TOP**

(56) **References Cited**

(71) Applicant: **GE MEDICAL SYSTEMS GLOBAL TECHNOLOGY COMPANY, LLC**,
Waukesha, WI (US)

(72) Inventors: **Fusheng Li**, Beijing (CN); **Yuqing Li**,
Beijing (CN); **Zhiye Lu**, Shanghai (CN)

(73) Assignee: **GE MEDICAL SYSTEMS GLOBAL TECHNOLOGY CO. LLC**, Waukesha,
WI (US)

(**) Term: **14 Years**

(21) Appl. No.: **29/477,070**

(22) Filed: **Dec. 19, 2013**

(30) **Foreign Application Priority Data**

Jun. 21, 2013 (CN) 2013 3 0271131

(51) **LOC (10) Cl.** **24-01**

(52) **U.S. Cl.**
USPC **D24/159**

(58) **Field of Classification Search**
USPC D24/158-161, 183-185; D6/691.4;
378/4, 21-27, 38, 40, 62, 68, 102,
378/196-198, 209; 600/410, 422; 5/601,
5/607, 608
CPC . A61B 6/0407; A61B 6/0457; A61G 2210/50

See application file for complete search history.

U.S. PATENT DOCUMENTS

D441,868	S	*	5/2001	Rodenas Santiago et al.	D24/183
6,334,708	B1	*	1/2002	Kosugi	378/197
D462,445	S	*	9/2002	Barde et al.	D24/183
6,505,364	B2	*	1/2003	Simmons et al.	5/600
D527,459	S	*	8/2006	Gireesh	D24/183
D630,330	S	*	1/2011	Baba	D24/159
D681,208	S	*	4/2013	Ninomiya et al.	D24/159
D726,319	S	*	4/2015	Sul et al.	D24/159
D735,864	S	*	8/2015	Doerre et al.	D24/159
2008/0279331	A1	*	11/2008	Huang	378/68
2009/0086930	A1	*	4/2009	Xu et al.	378/209
2014/0053333	A1	*	2/2014	Krieg et al.	5/601

* cited by examiner

Primary Examiner — Anhdao Doan

(74) *Attorney, Agent, or Firm* — GE Global Patent Operation; Marc A. Vivencio

(57) **CLAIM**

The ornamental design for a rad table with a floating table top, as shown and described.

DESCRIPTION

FIG. 1 is a front right perspective view of a rad table with a floating table top according to an embodiment of the present design;

FIG. 2 is a front left perspective view thereof;

FIG. 3 is a front view thereof;

FIG. 4 is a rear view thereof;

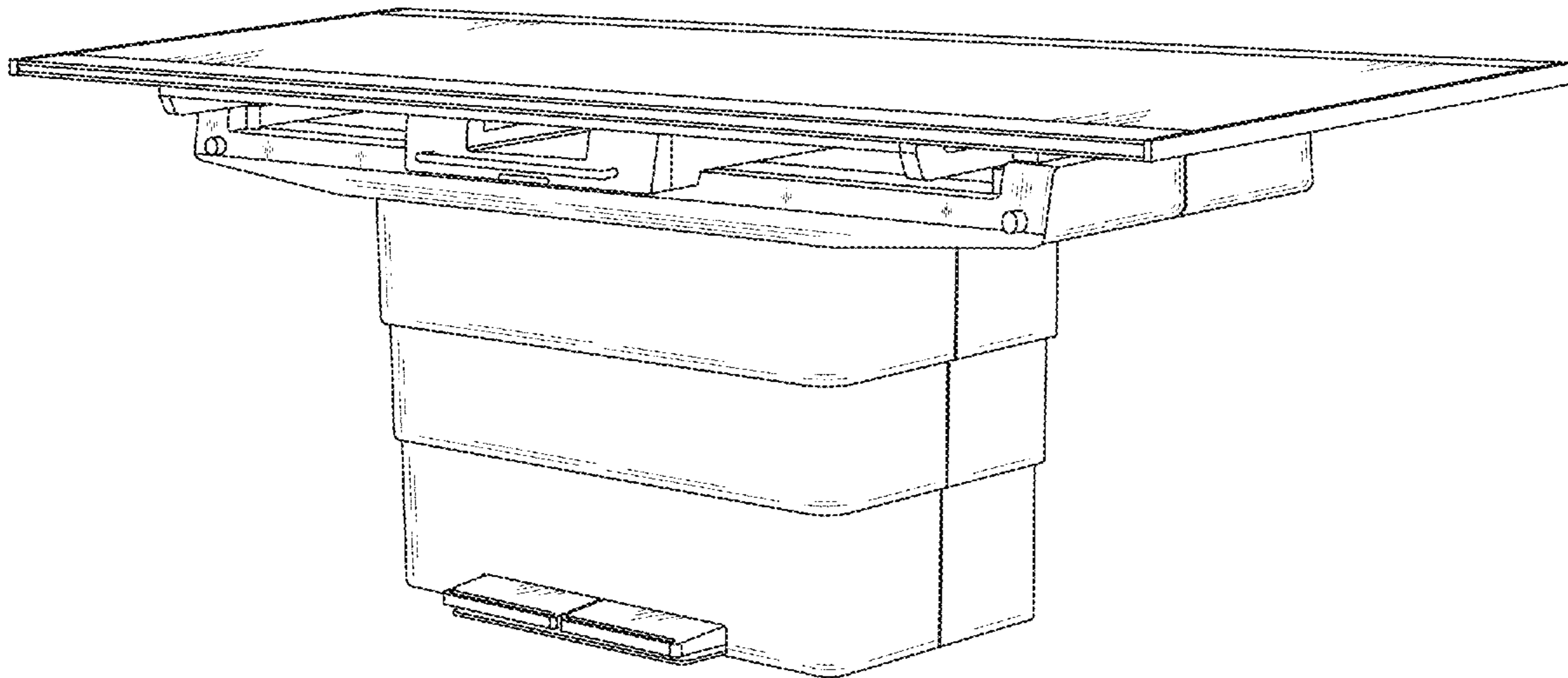
FIG. 5 is a left side view thereof;

FIG. 6 is a right side view thereof;

FIG. 7 is a top view thereof; and,

FIG. 8 is a bottom view thereof.

1 Claim, 7 Drawing Sheets



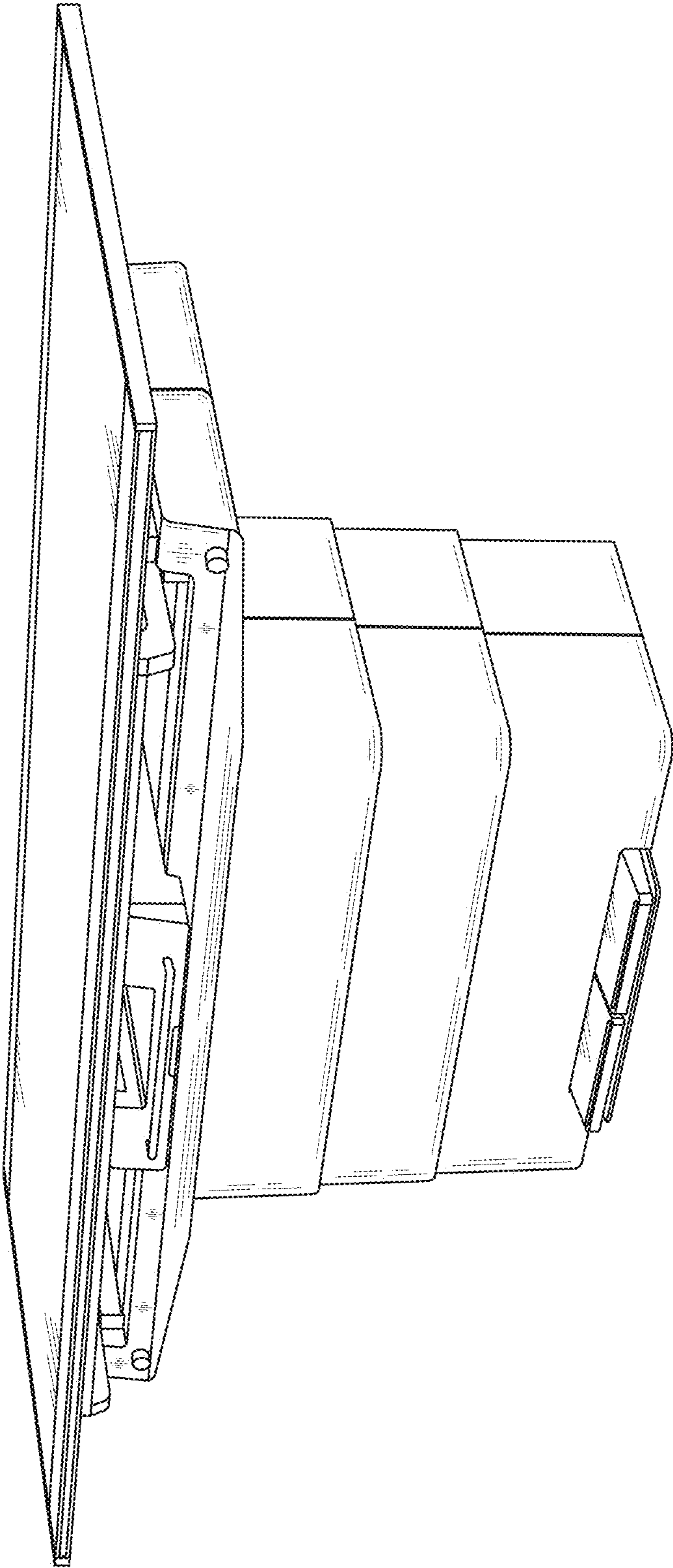


FIG. 1

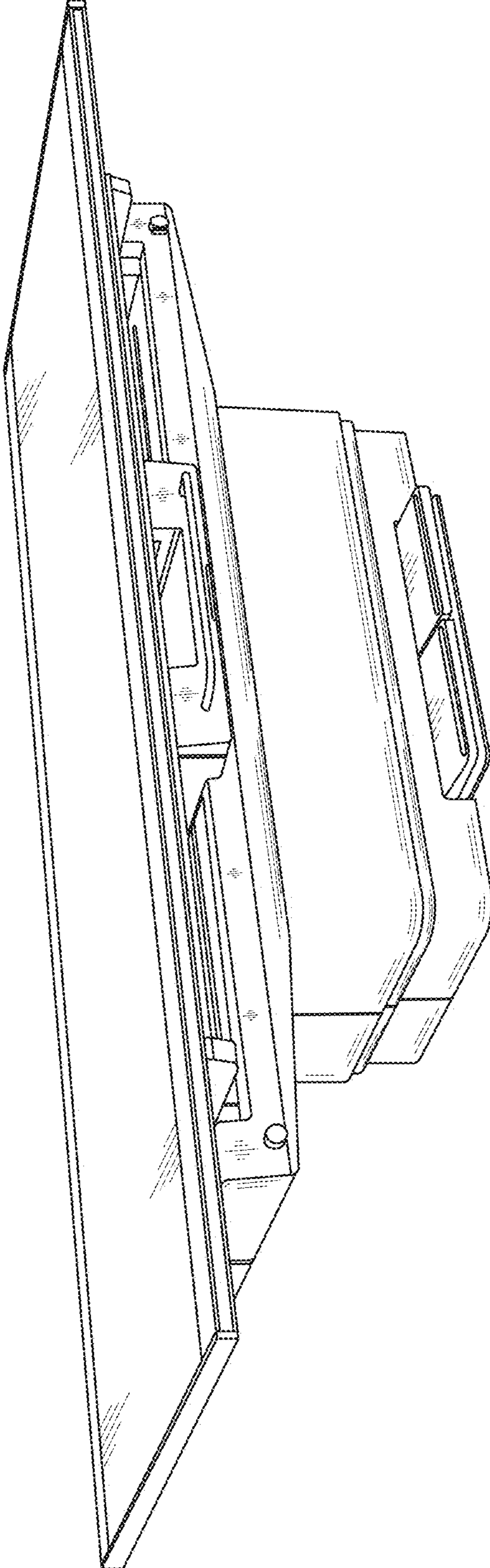


FIG. 2

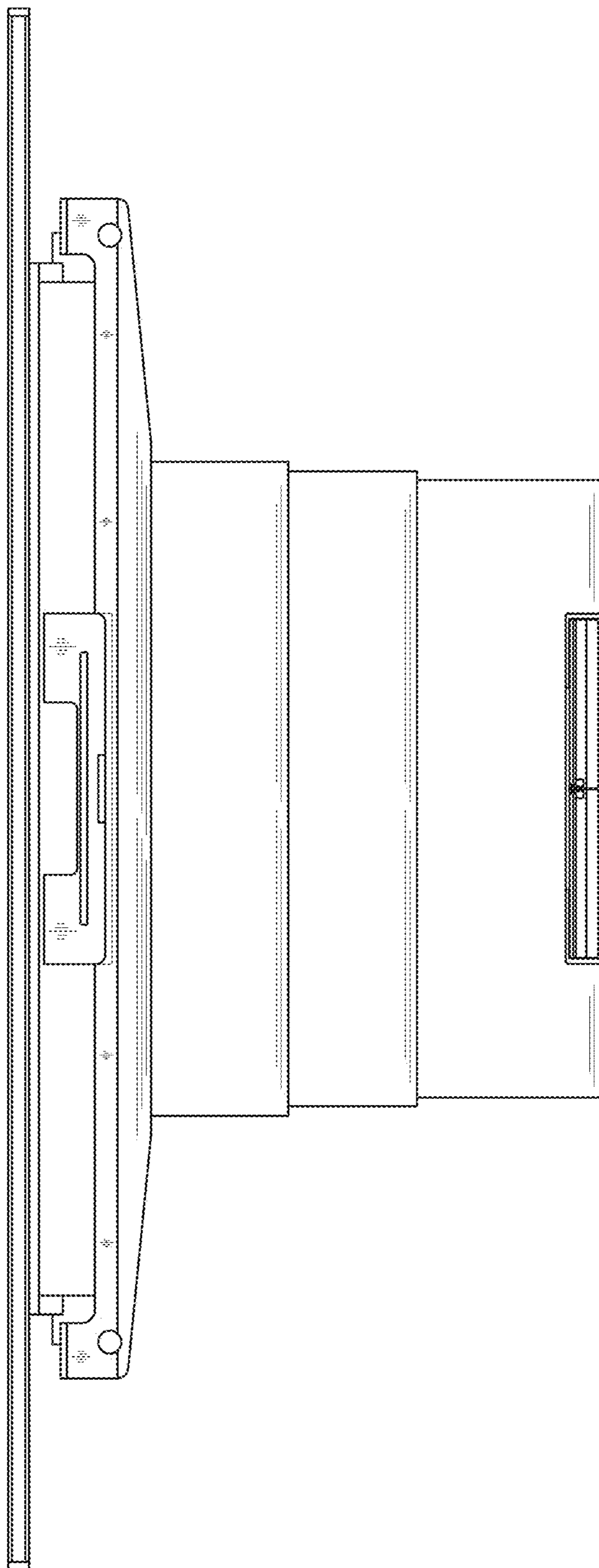


FIG. 3

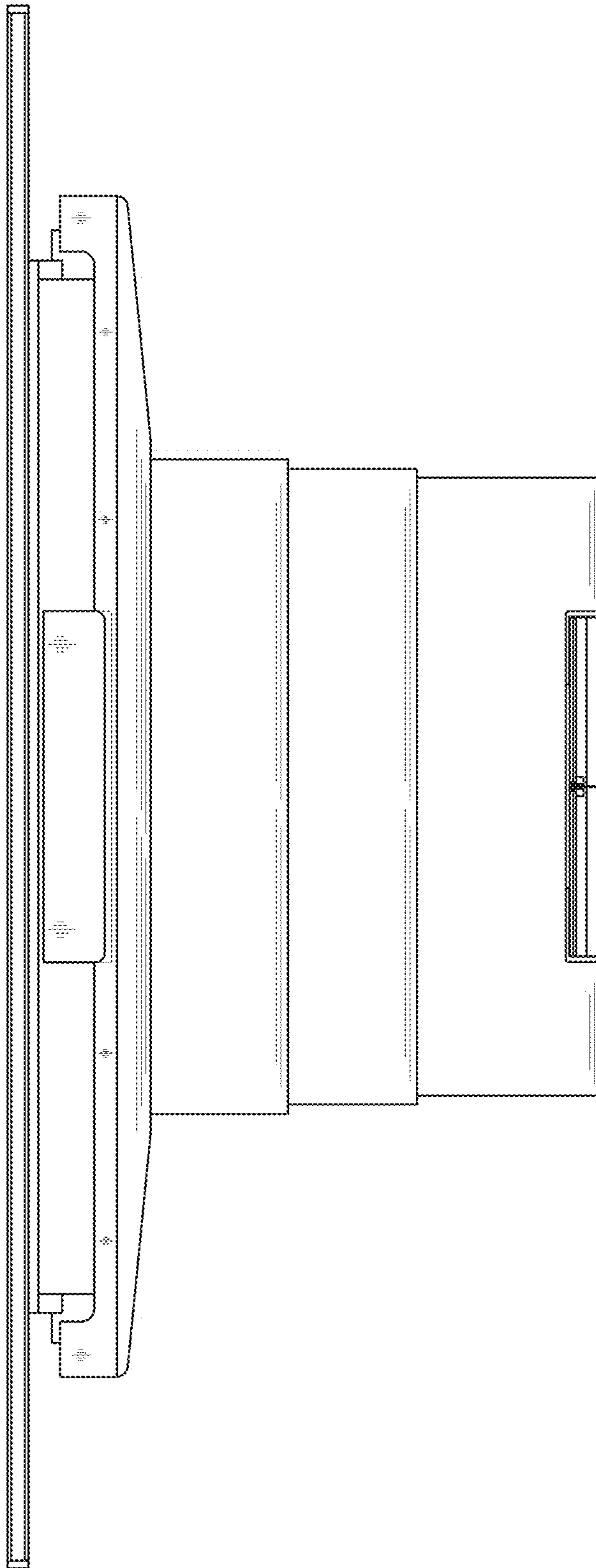


FIG. 4

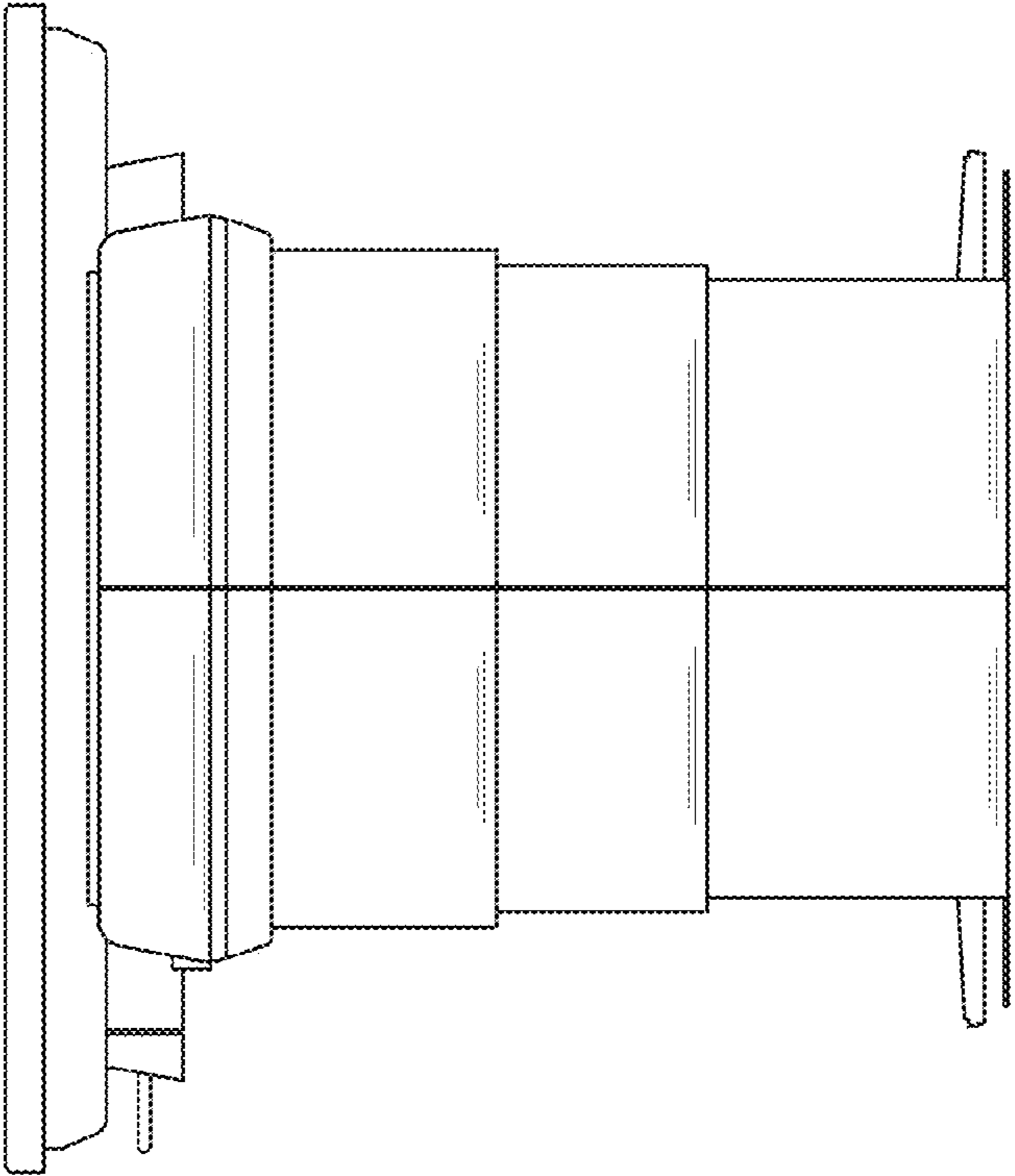


FIG. 6

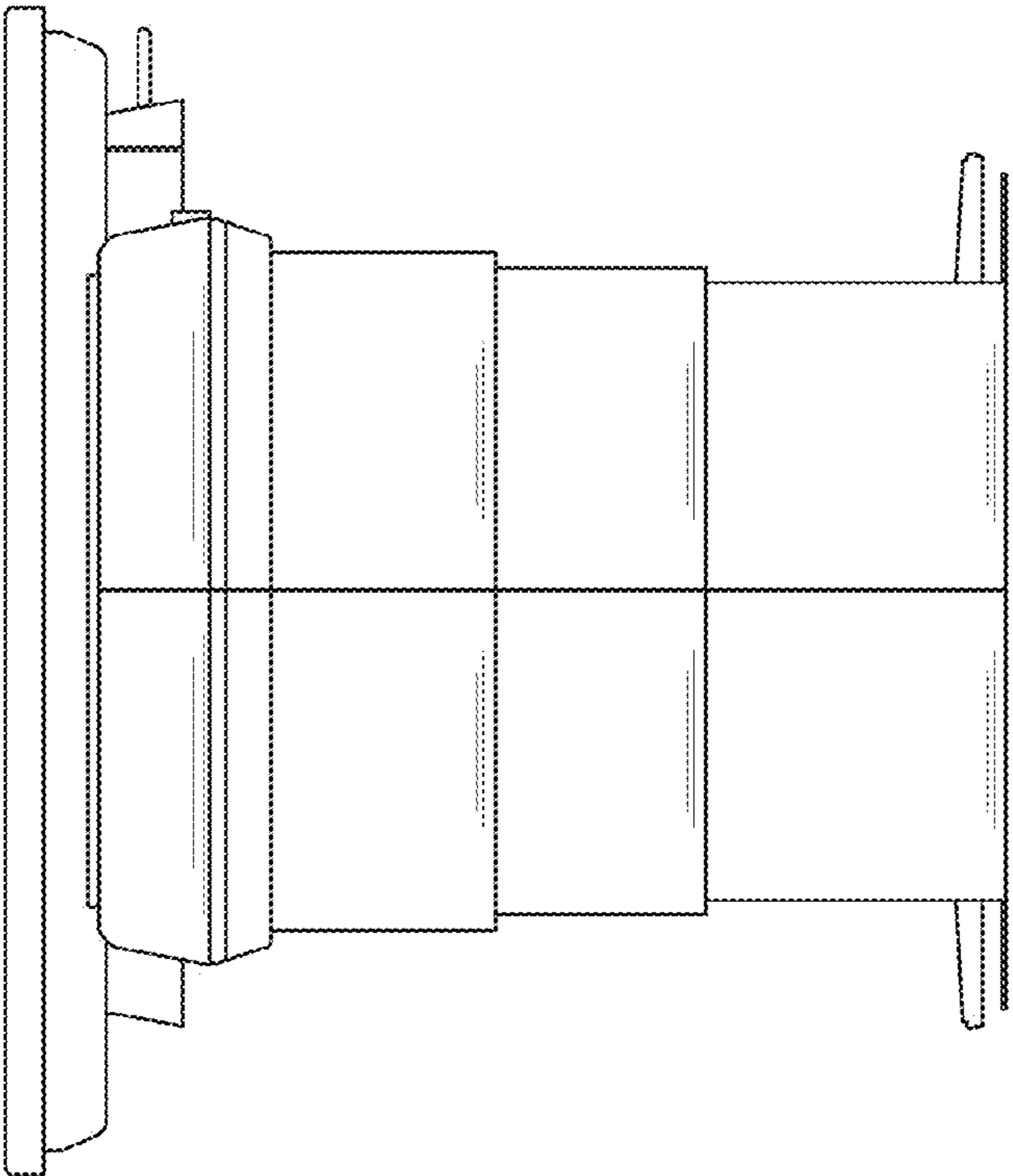


FIG. 5

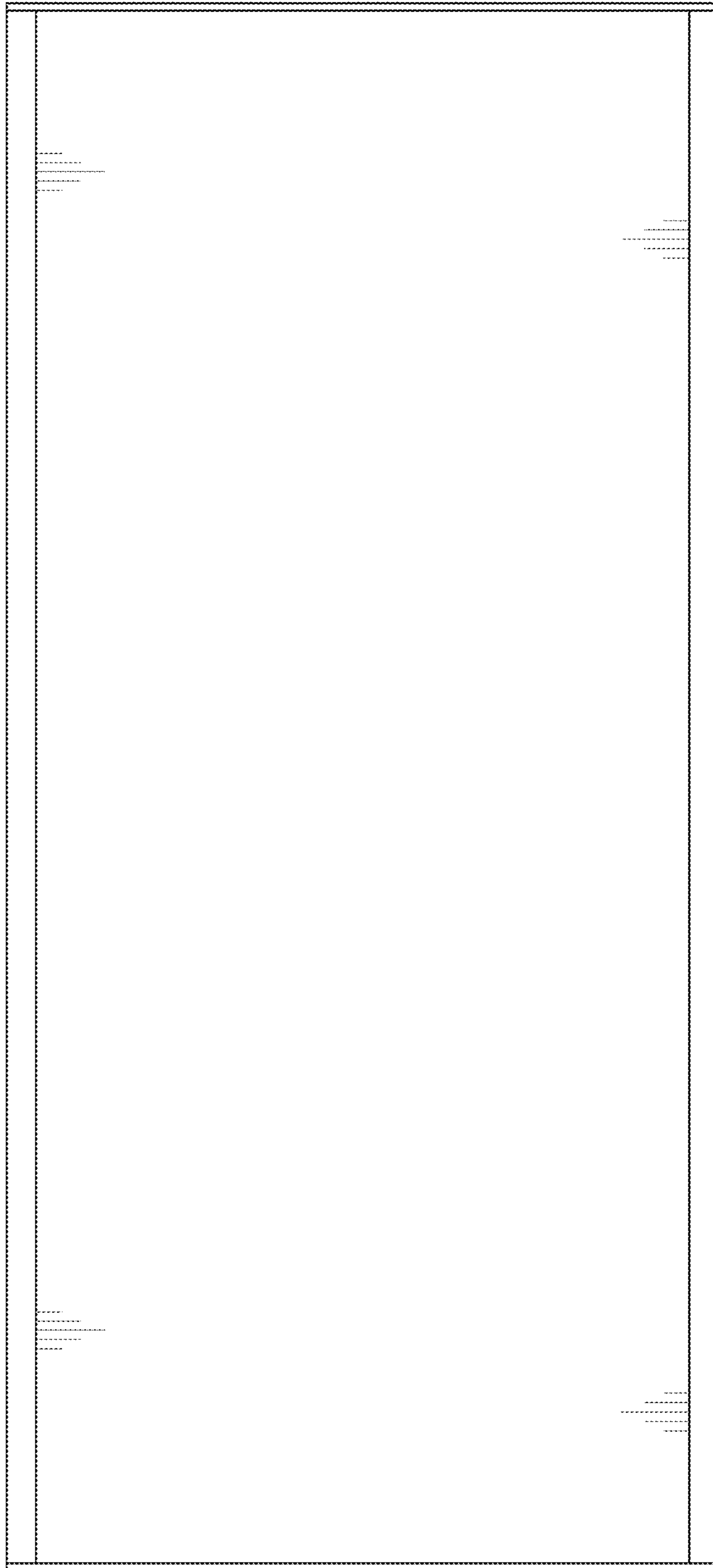


FIG. 7

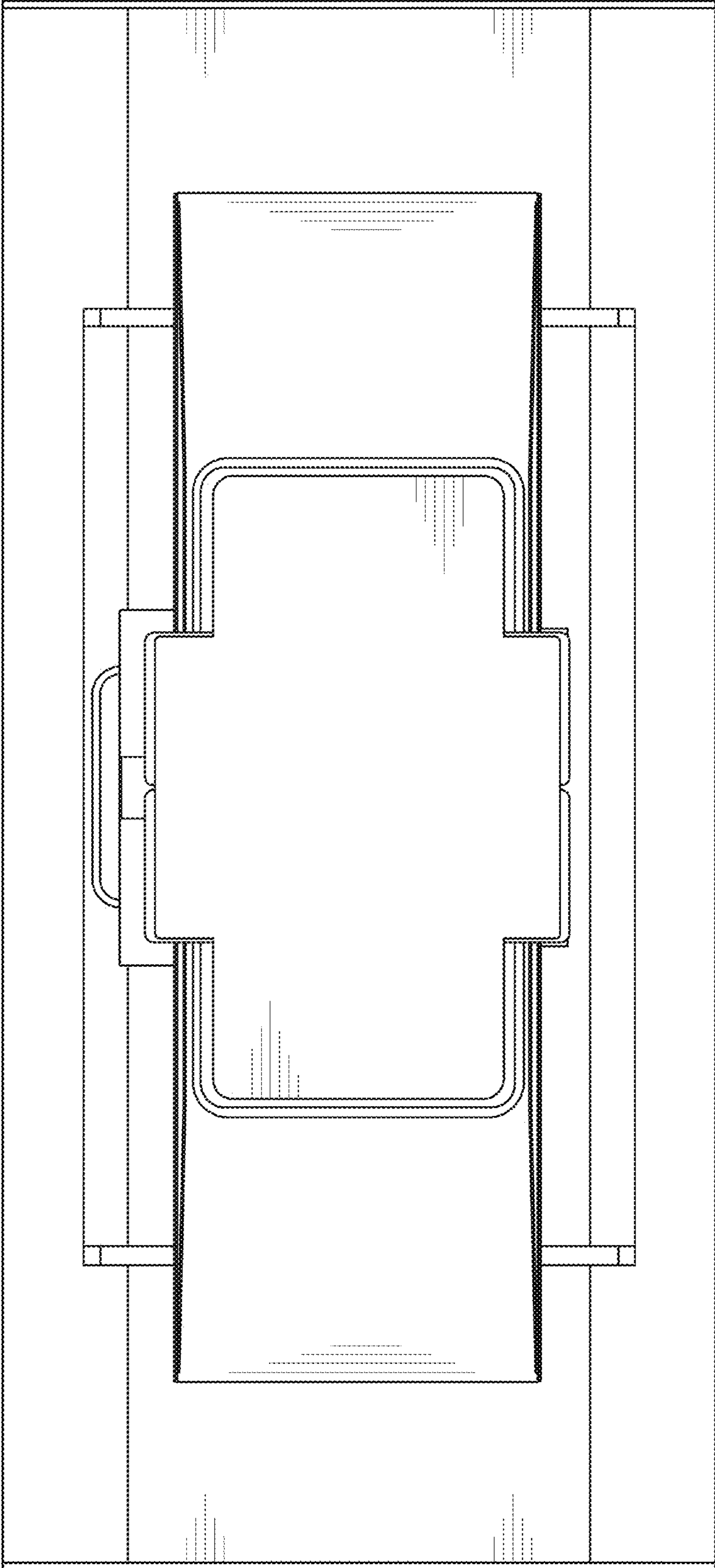


FIG. 8