



US00D752755S

(12) **United States Design Patent**
Aravena et al.

(10) **Patent No.:** **US D752,755 S**
(45) **Date of Patent:** **** Mar. 29, 2016**

(54) **DENTAL PROSTHESIS**

(71) Applicant: **Implant Direct Sybron International LLC**, Calabasas Hills, CA (US)

(72) Inventors: **Ines Aravena**, Santa Rosa Valley, CA (US); **Robin Reck**, Simi Valley, CA (US)

(73) Assignee: **Implant Direct Sybron International L.L.C.**, Calabasas Hills, CA (US)

(**) Term: **14 Years**

(21) Appl. No.: **29/485,217**

(22) Filed: **Mar. 17, 2014**

(51) **LOC (10) Cl.** **24-02**

(52) **U.S. Cl.**
USPC **D24/156**

(58) **Field of Classification Search**
USPC D24/155, 156
CPC .. A61C 8/0089; A61C 8/0069; A61C 8/0054;
A61C 8/00; A61C 8/0096; A61C 8/0039;
A61C 8/0063; A61C 8/006; A61C 8/0001;
A61C 8/0012; A61C 8/0075; A61C 13/225
See application file for complete search history.

(56) **References Cited**

U.S. PATENT DOCUMENTS

| | | | | |
|----------------|--------|-----------|-------|-----------------------|
| D477,667 S * | 7/2003 | Whitehead | | D24/156 |
| D477,876 S * | 7/2003 | Whitehead | | D24/156 |
| D477,877 S * | 7/2003 | Whitehead | | D24/156 |
| D477,878 S * | 7/2003 | Whitehead | | D24/156 |
| 7,249,949 B2 * | 7/2007 | Carter | | A61C 8/005 433/173 |

(Continued)

Primary Examiner — Susan Bennett Hattan

Assistant Examiner — Charles Hanson

(74) *Attorney, Agent, or Firm* — Wood, Herron & Evans, LLP

(57) **CLAIM**

The ornamental design for a dental prosthesis, as shown and described.

DESCRIPTION

The patent or application file contains at least one drawing executed in color. Copies of this patent with color drawings will be provided by the Office upon request of payment of the necessary fee.

FIG. 1 is a front perspective view of our new, original and ornamental design;

FIG. 2 is a bottom perspective view thereof;

FIG. 3 is a front side view thereof

FIG. 5 is a rear side view thereof;

FIG. 6 is a left side view thereof;

FIG. 7 is a top side view thereof; and

FIG. 8 is a bottom side view thereof;

FIG. 9 is a front perspective view of a second embodiment of our new, original and ornamental design;

FIG. 10 is a bottom perspective view thereof;

FIG. 11 is a front side view thereof

FIG. 12 is a right side view thereof;

FIG. 13 is a rear side view thereof;

FIG. 14 is a left side view thereof;

FIG. 15 is a top side view thereof; and

FIG. 16 is a bottom side view thereof;

FIG. 17 is a front perspective view of a third embodiment of our new, original and ornamental design;

FIG. 18 is a bottom perspective view thereof;

FIG. 19 is a front side view thereof

FIG. 20 is a right side view thereof;

FIG. 21 is a rear side view thereof;

FIG. 22 is a left side view thereof;

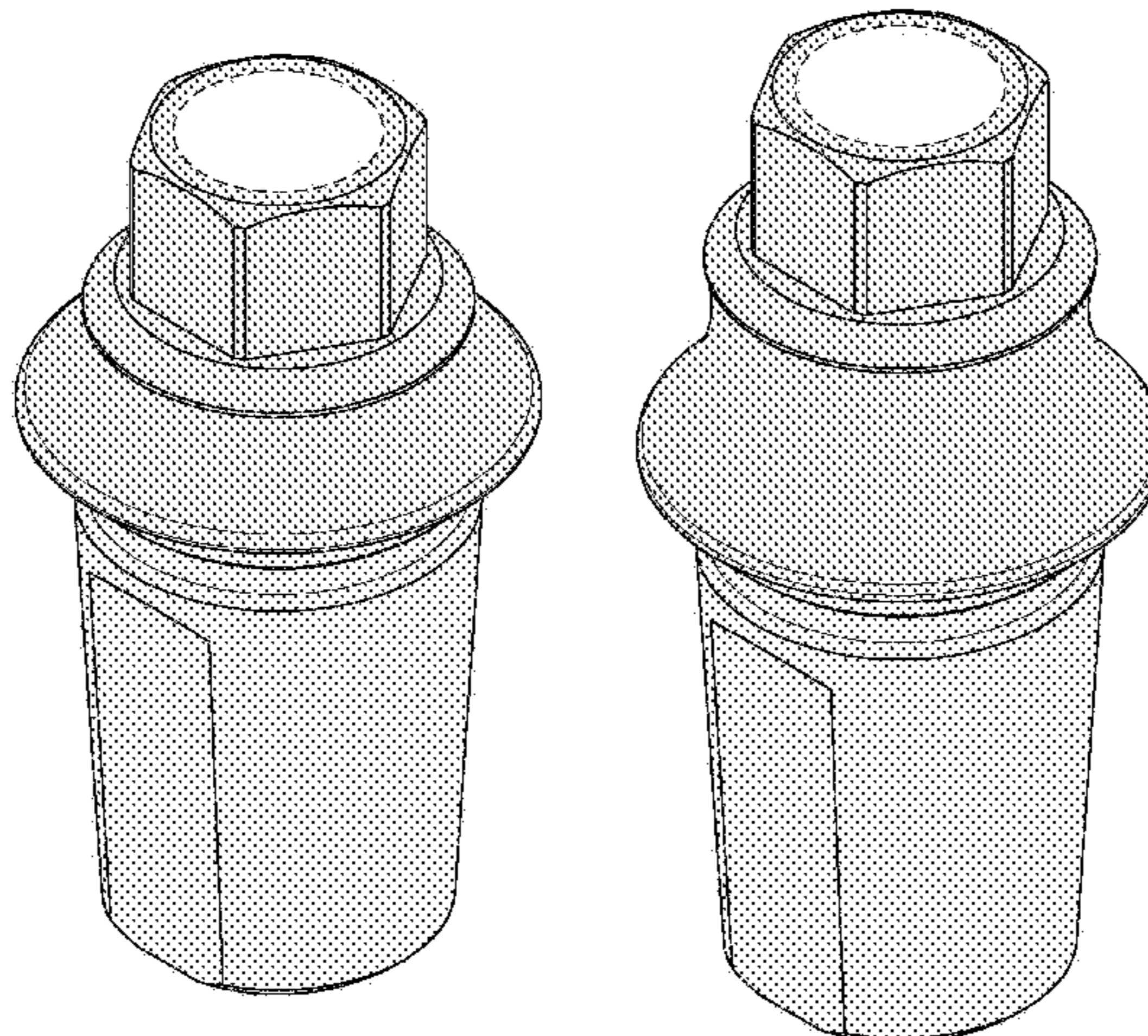
FIG. 23 is a top side view thereof; and,

FIG. 24 is a bottom side view thereof.

The broken dash lines in the dental prosthesis represent the bounds of the claimed design and form no part of the claimed design.

Additionally, the unshown portion of the dental prosthesis forms no part of the claimed design.

1 Claim, 12 Drawing Sheets
(12 of 12 Drawing Sheet(s) Filed in Color)



US D752,755 S

Page 2

(56)

References Cited

U.S. PATENT DOCUMENTS

| | | | |
|--------------|--------|----------------------|---------|
| D641,877 S * | 7/2011 | Aldecoa | D24/156 |
| D641,878 S * | 7/2011 | Anitua Aldecoa | D24/156 |
| 8,371,851 B2 | 2/2013 | Smith et al. | |
| D587,372 S * | 2/2009 | Purga | D24/156 |

* cited by examiner

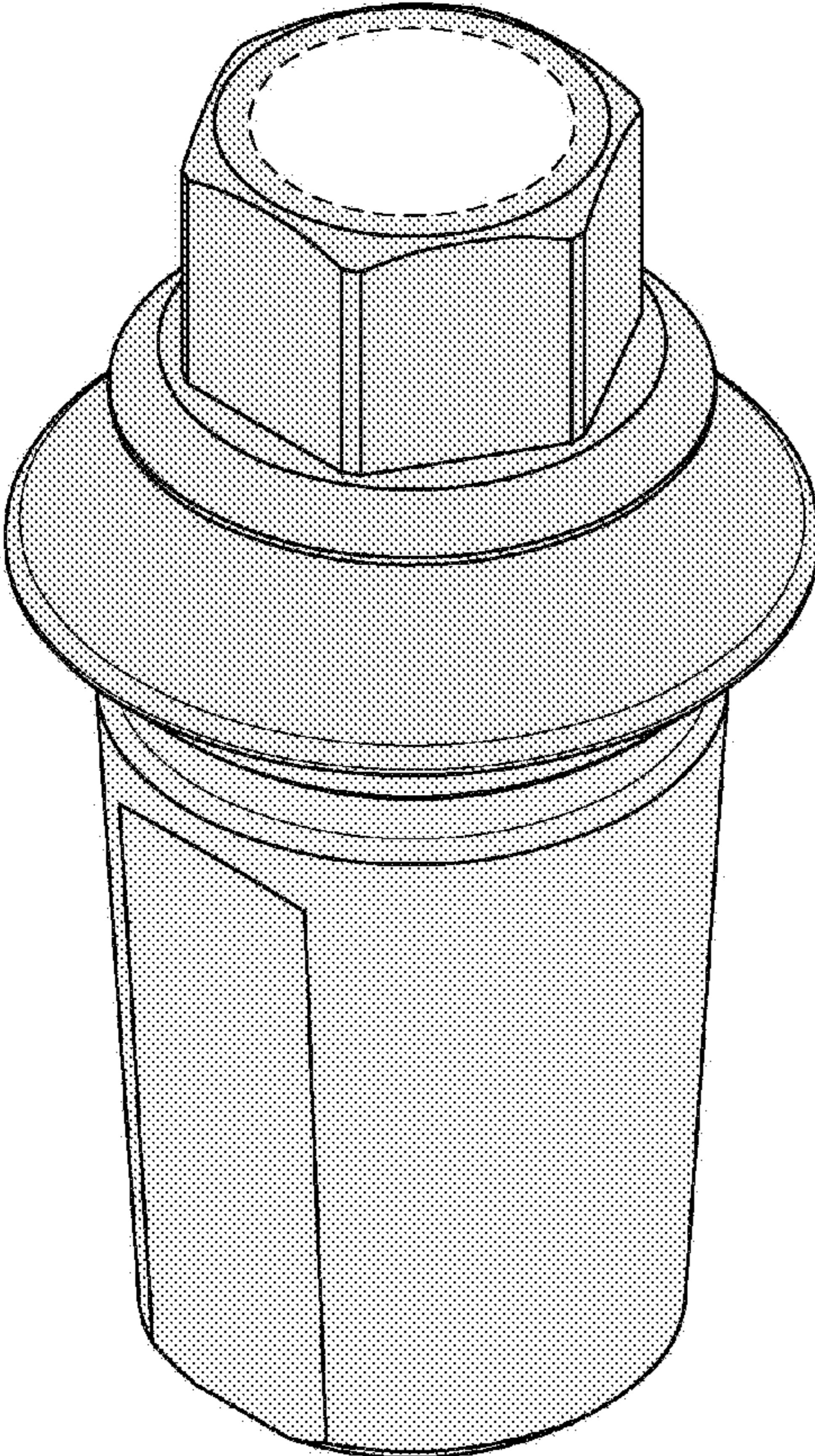


FIG. 1

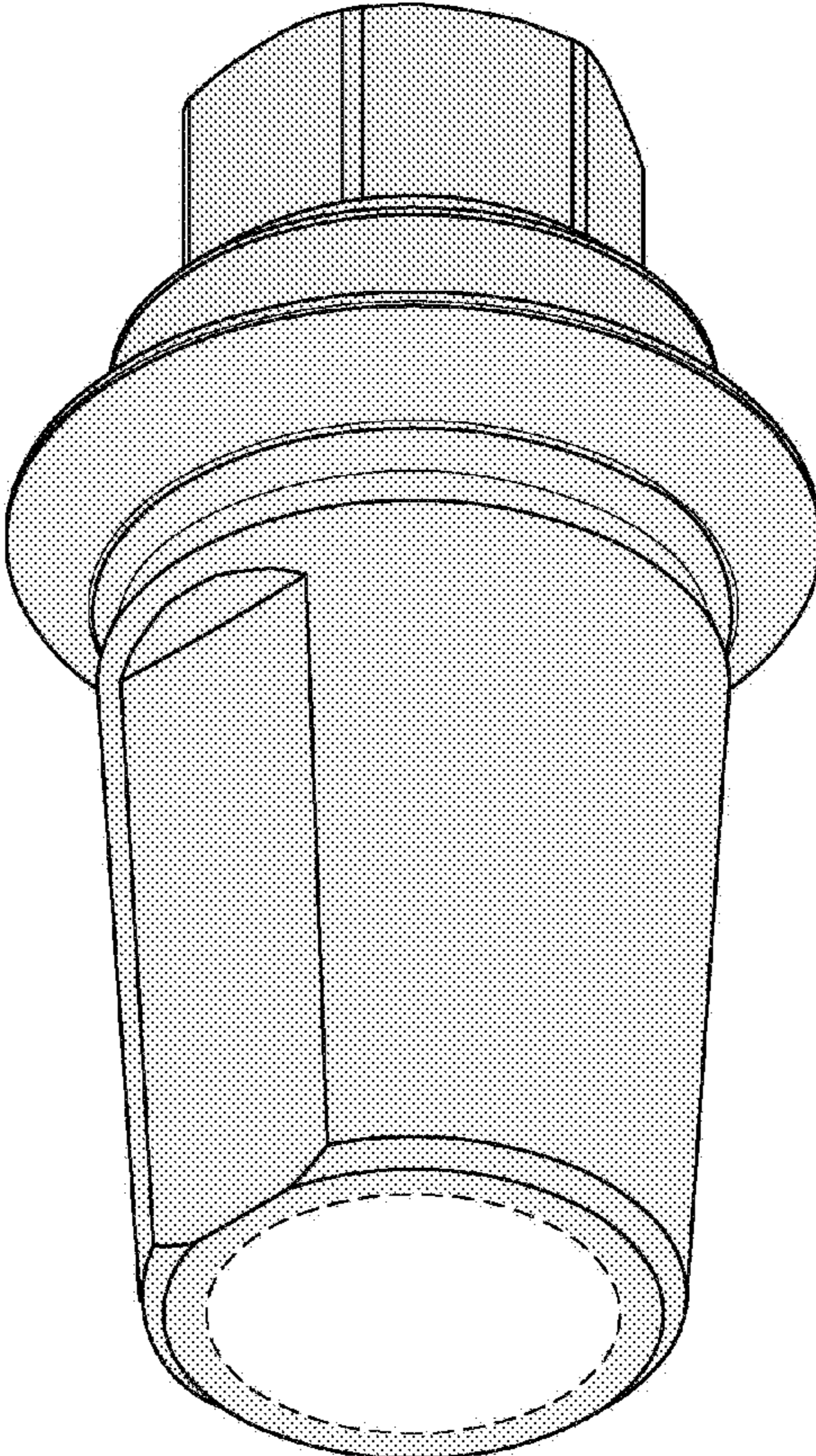


FIG. 2

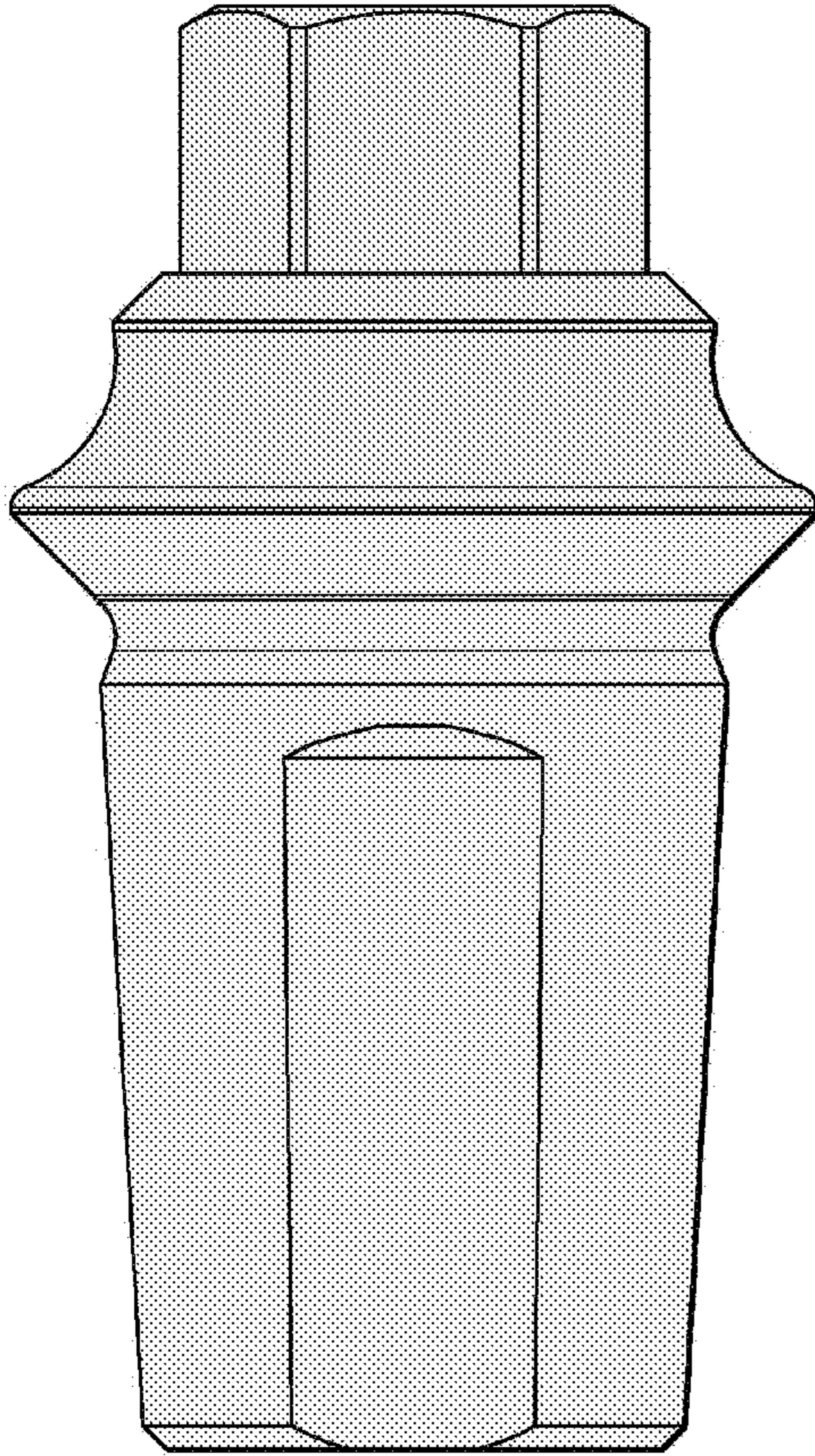


FIG. 3

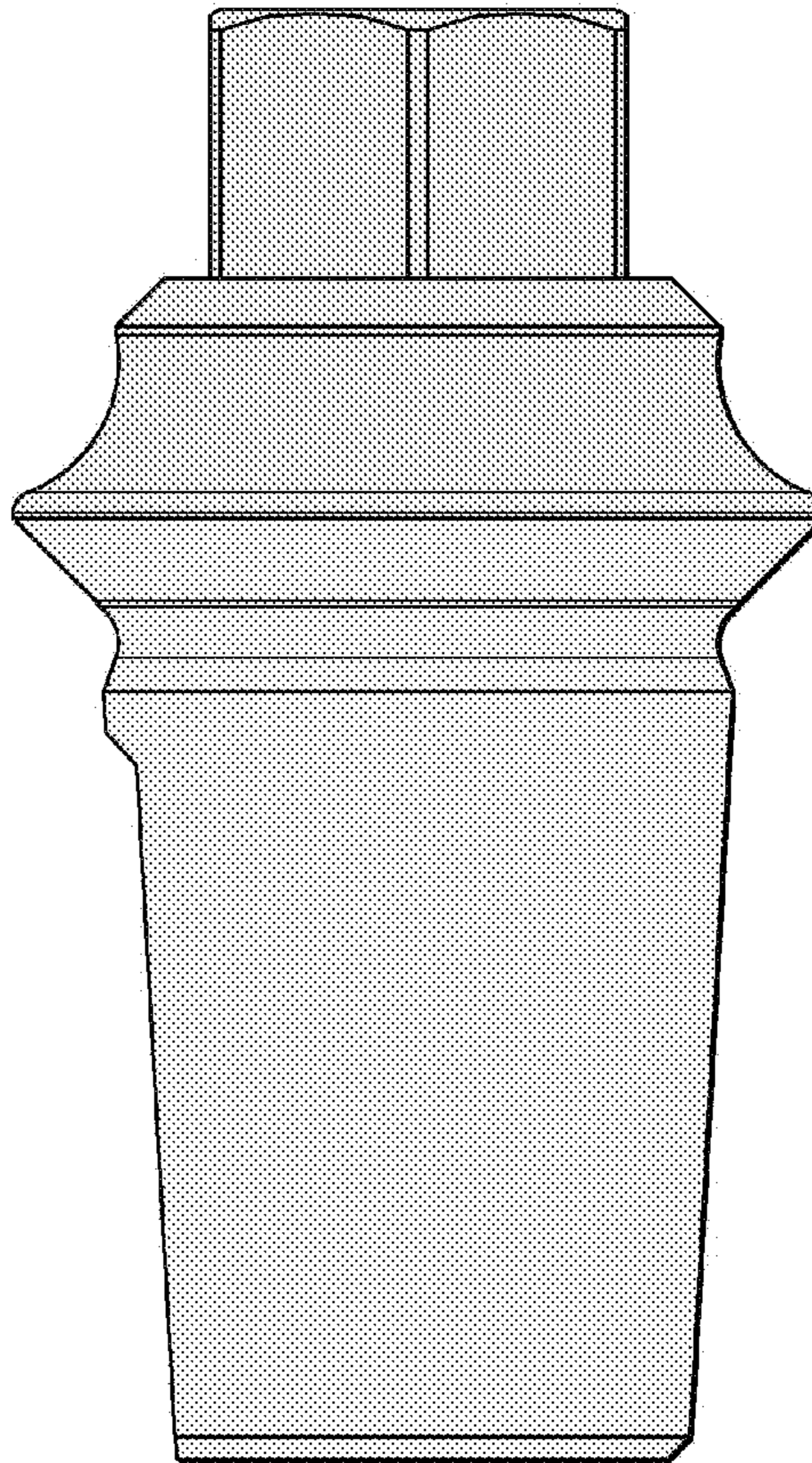


FIG. 4

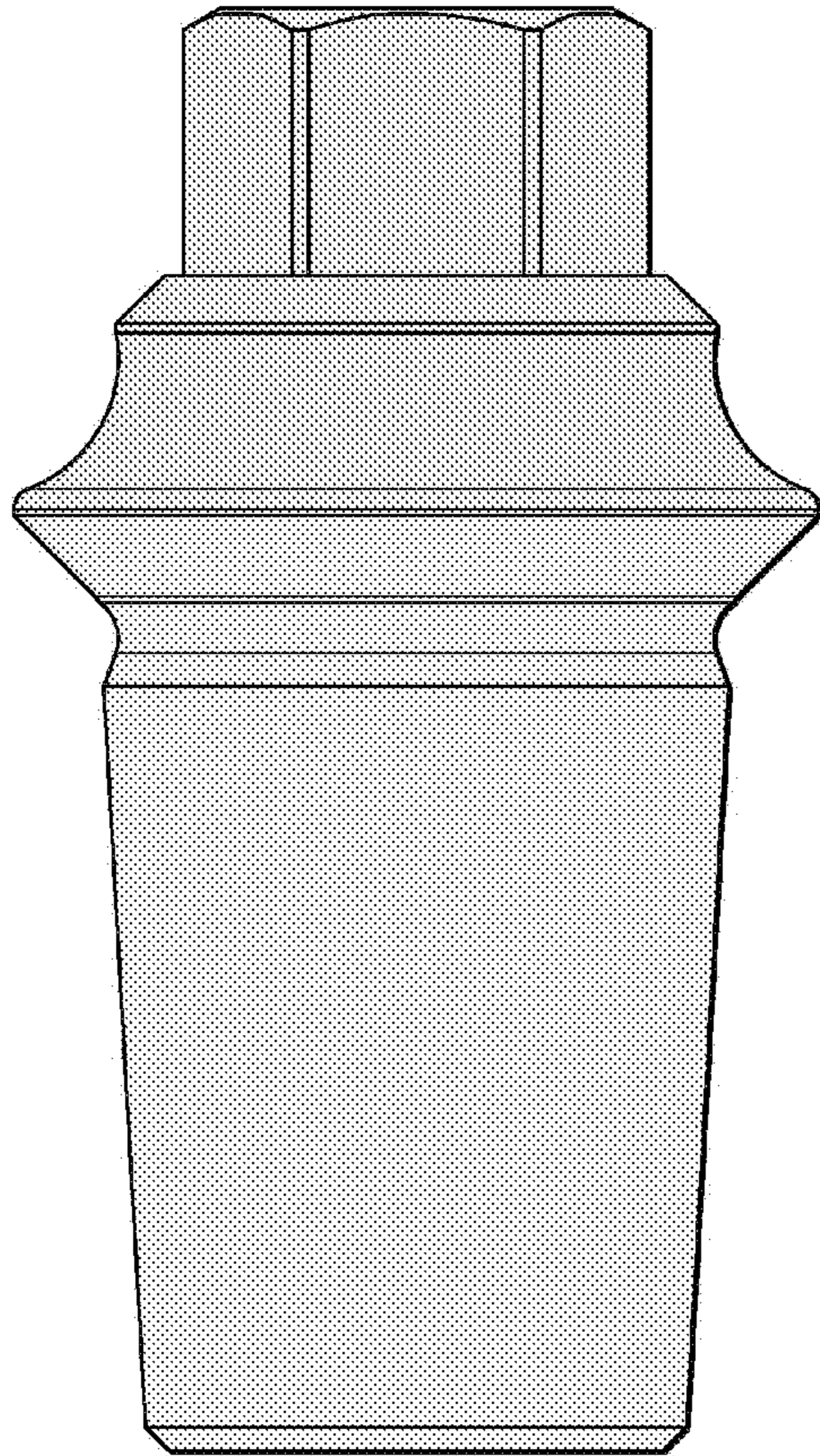


FIG. 5

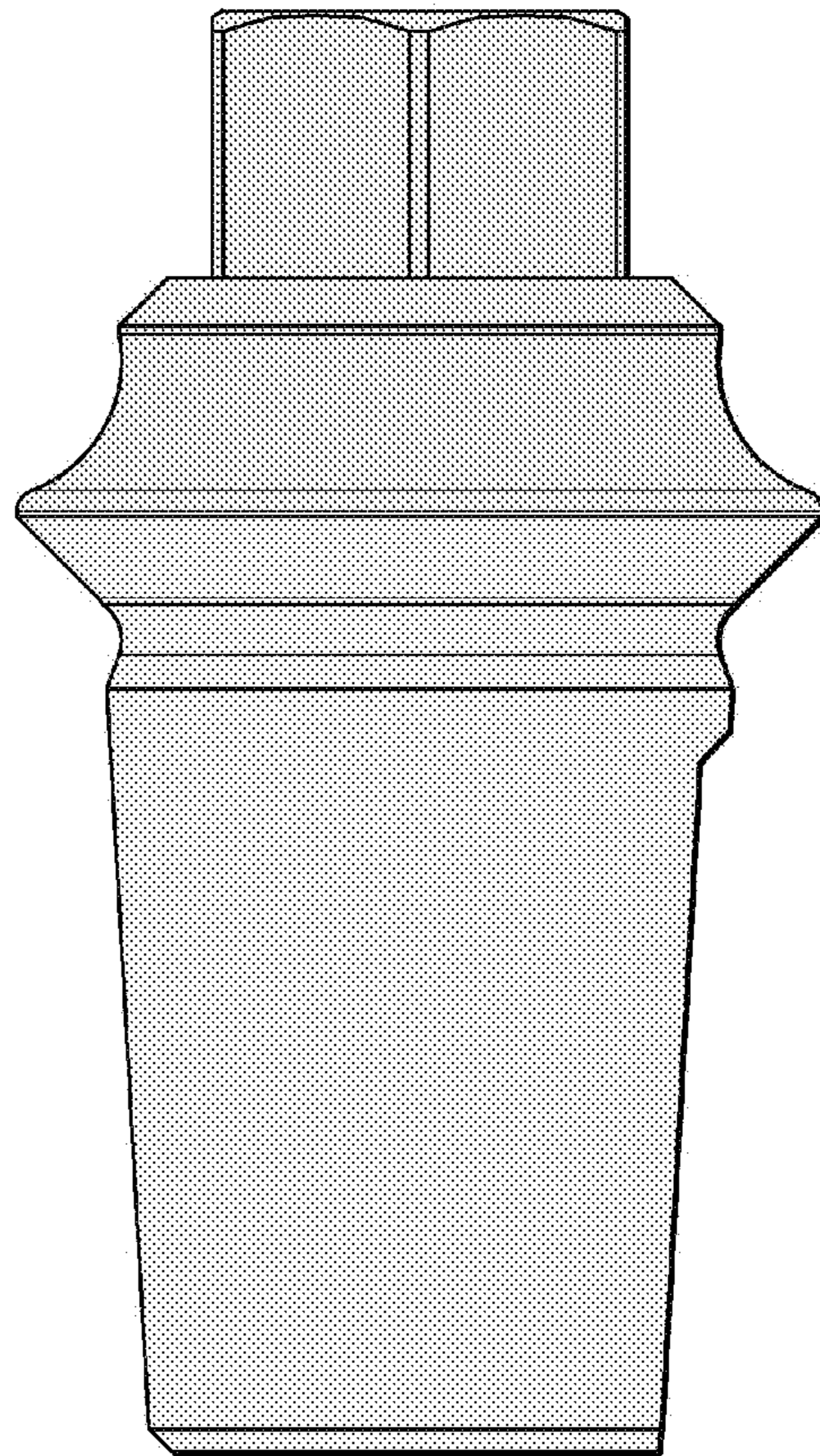


FIG. 6

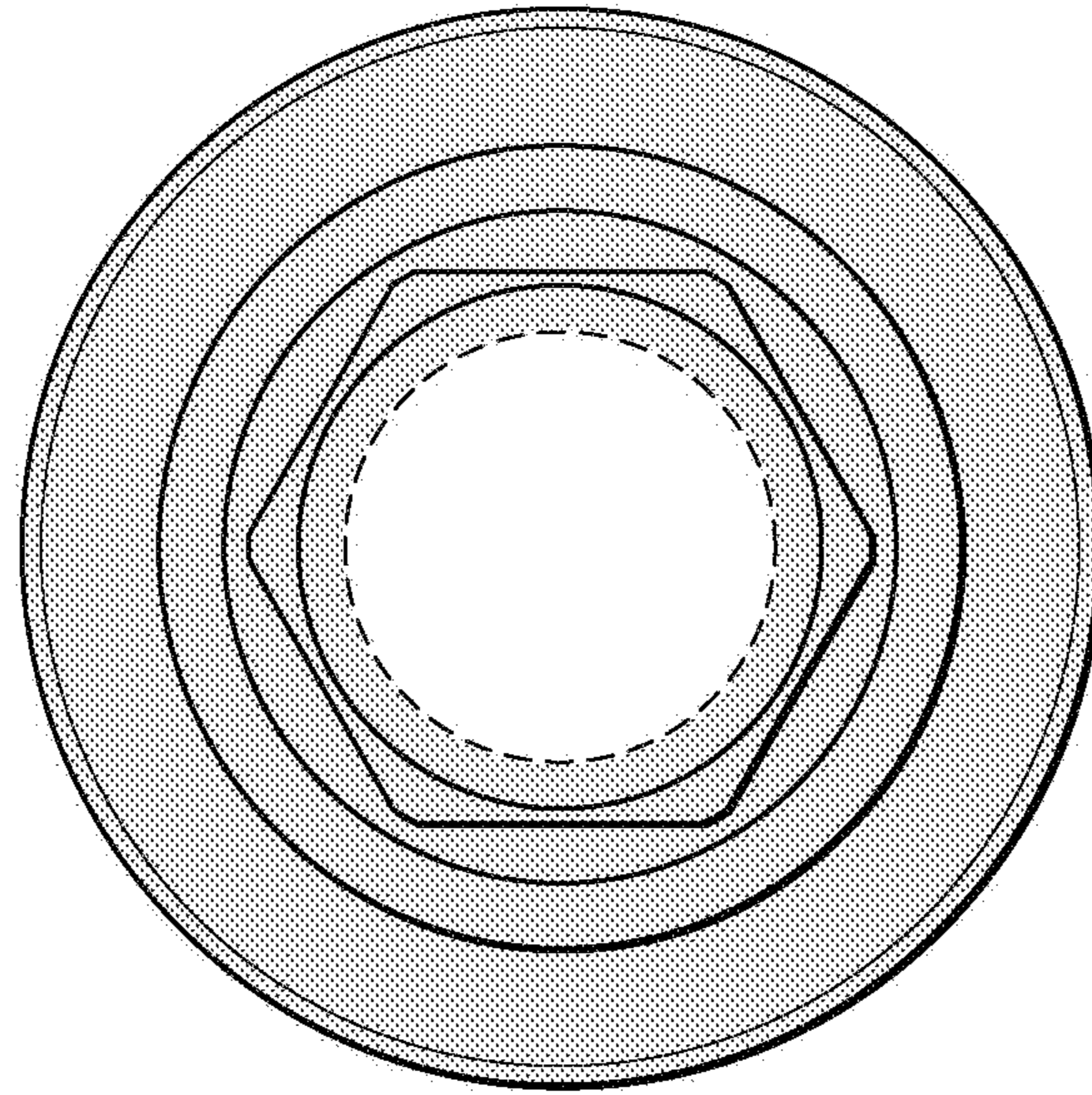


FIG. 7

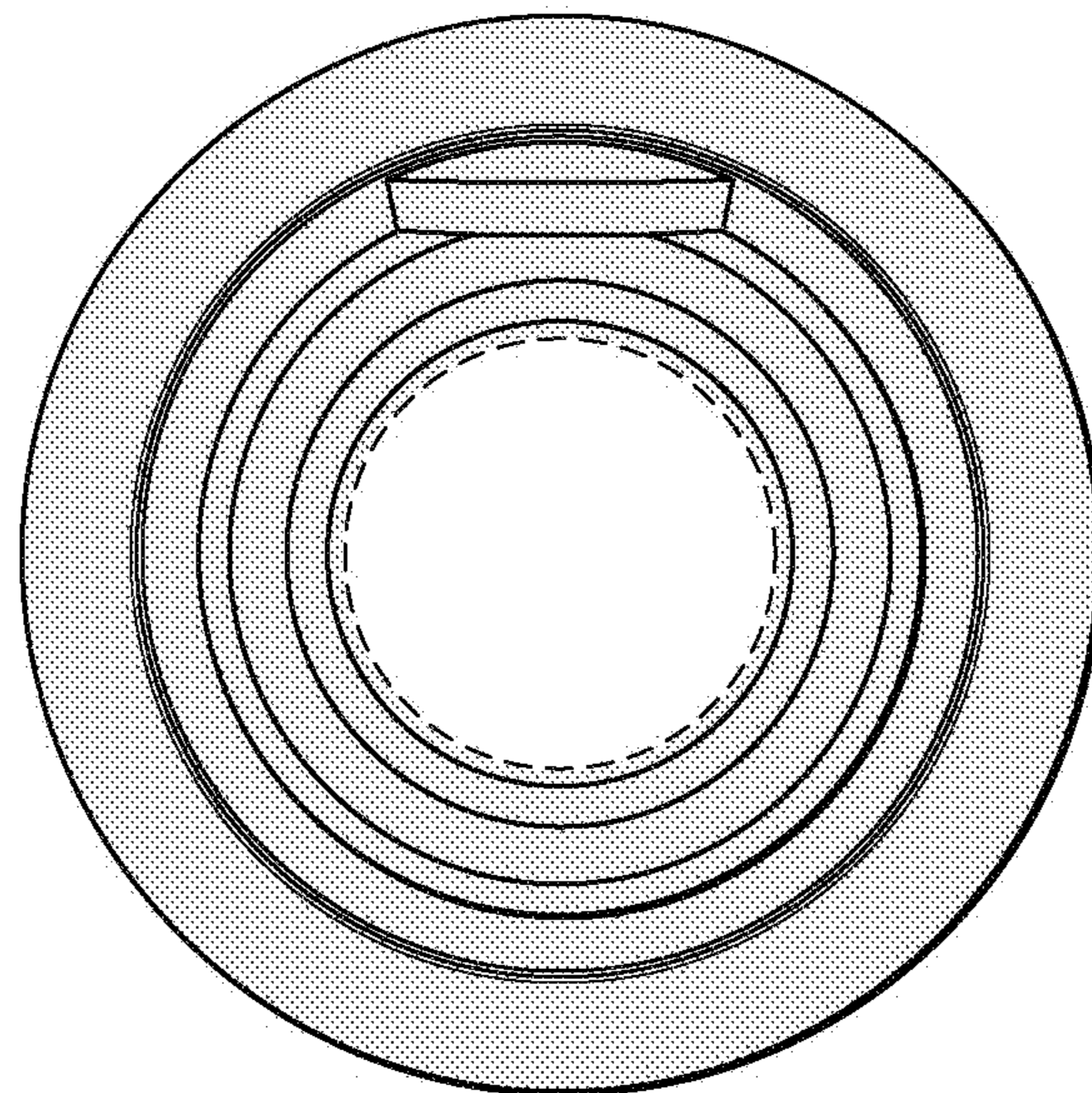


FIG. 8

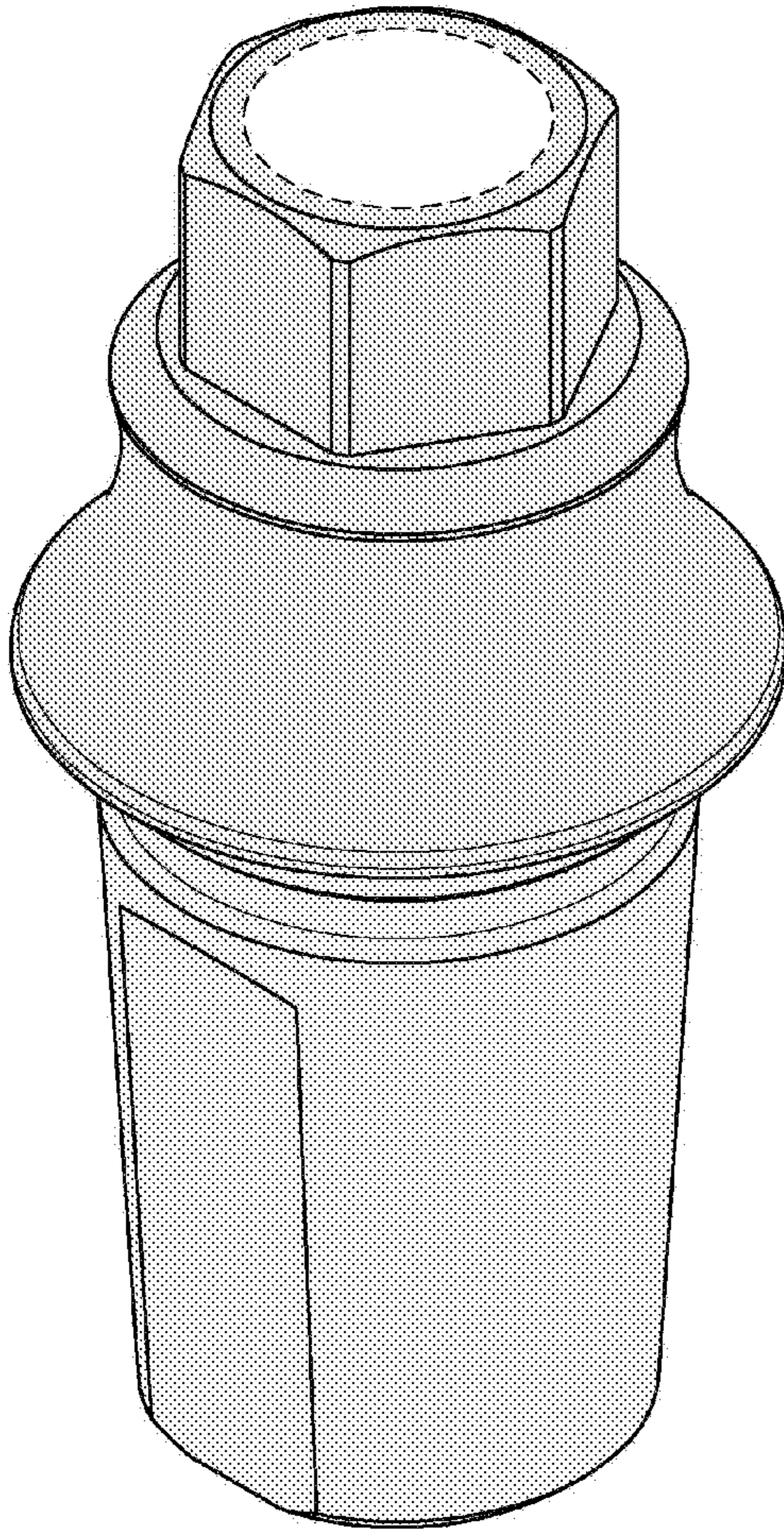


FIG. 9

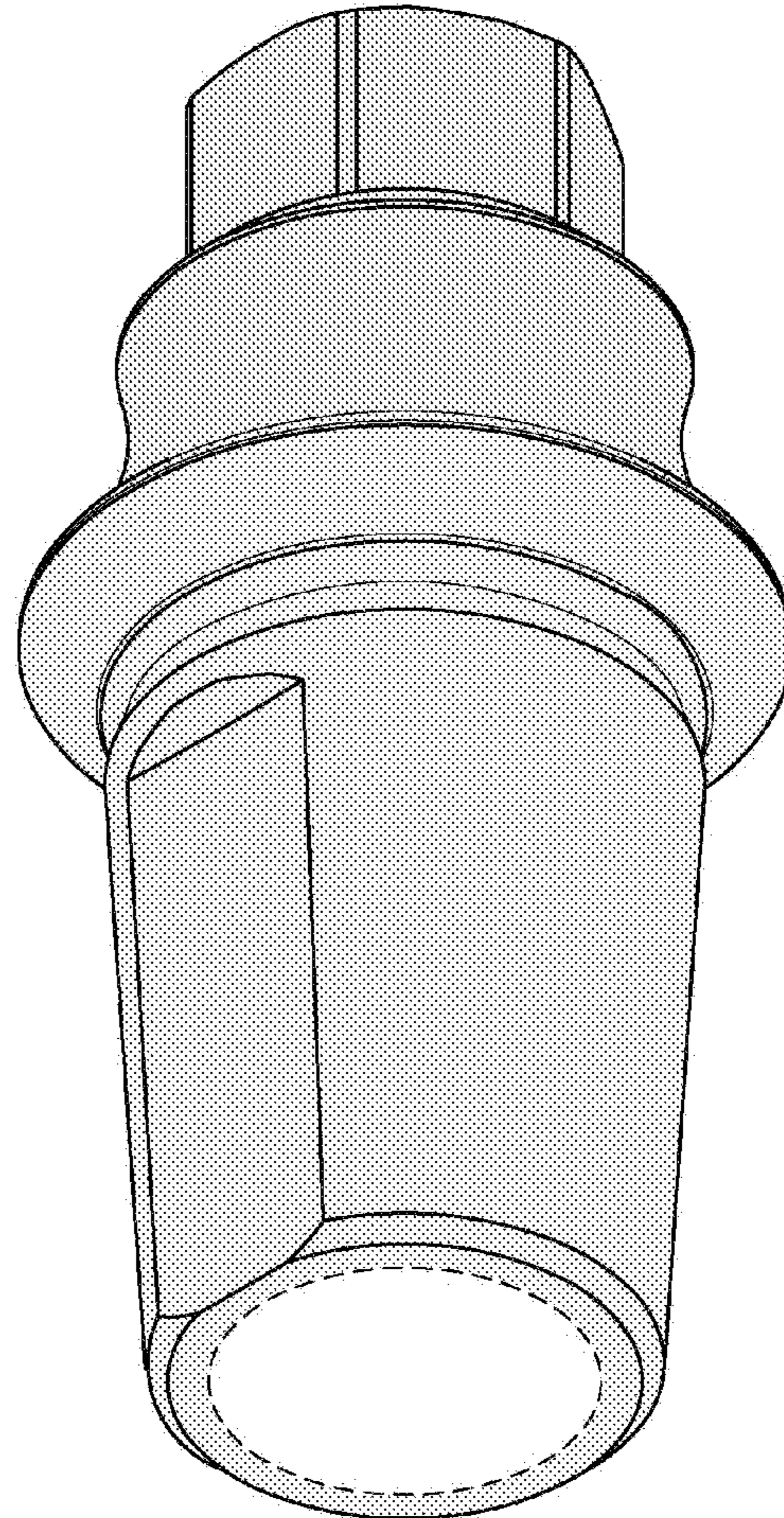


FIG. 10

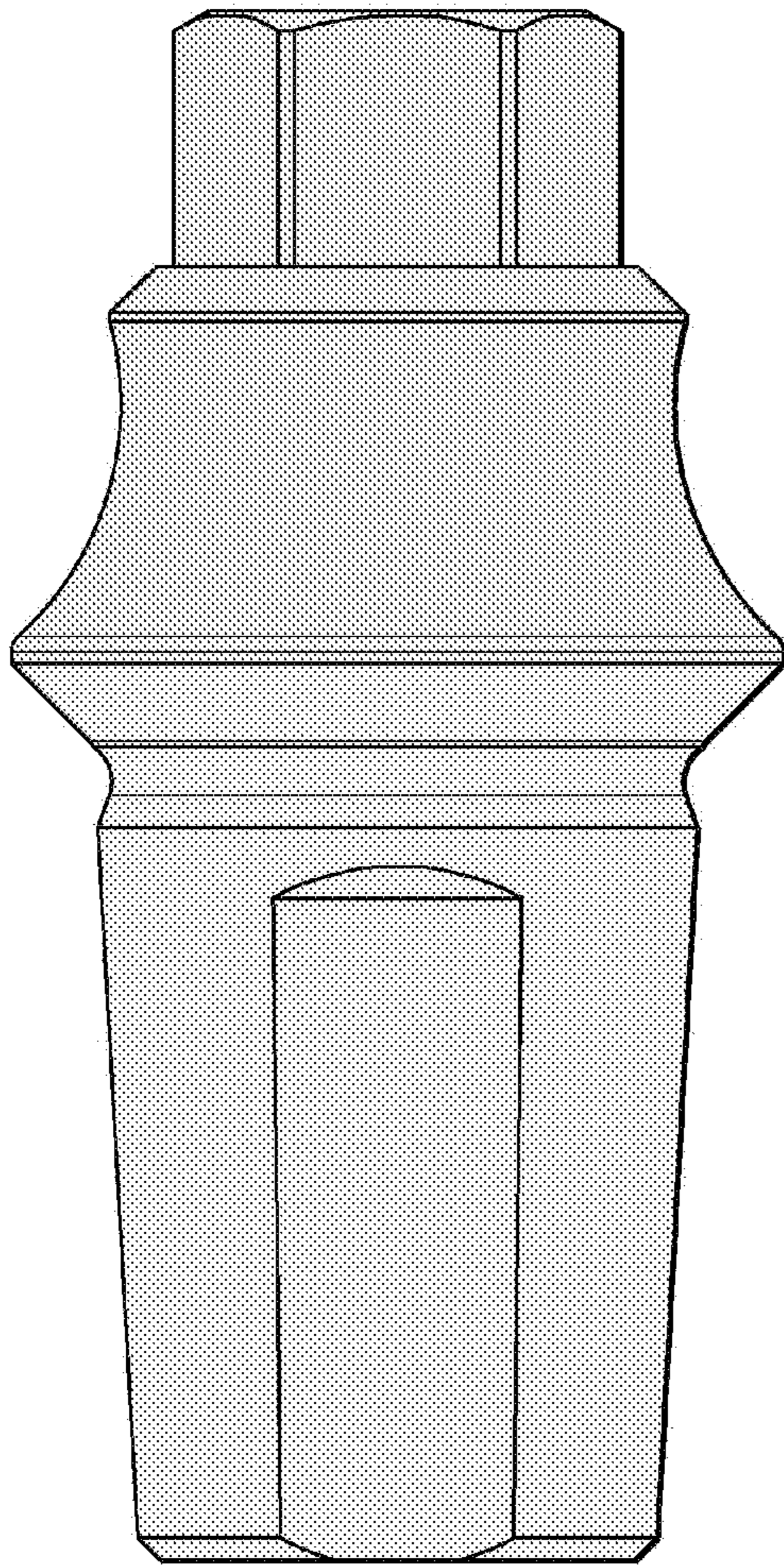


FIG. 11

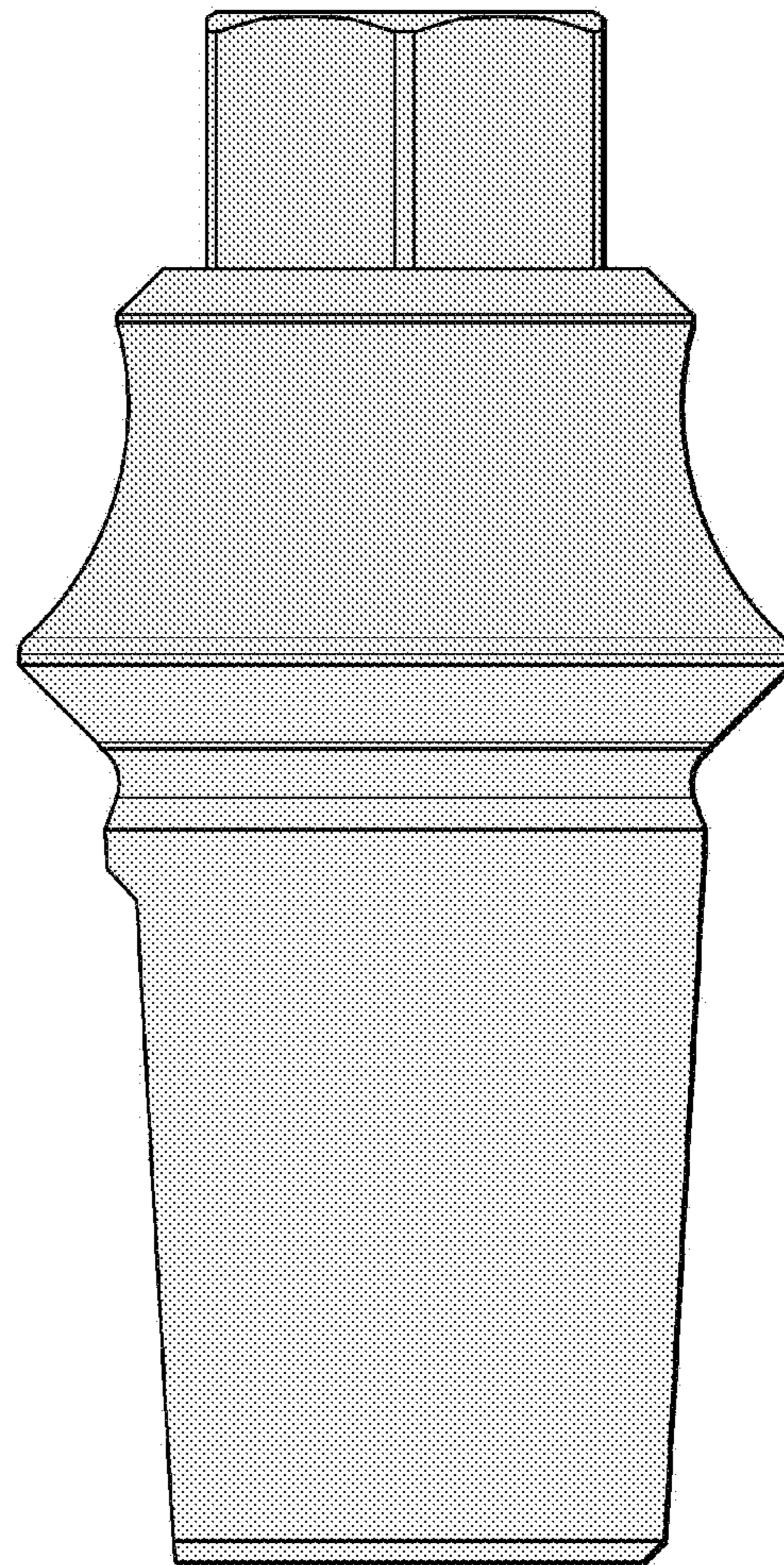


FIG. 12

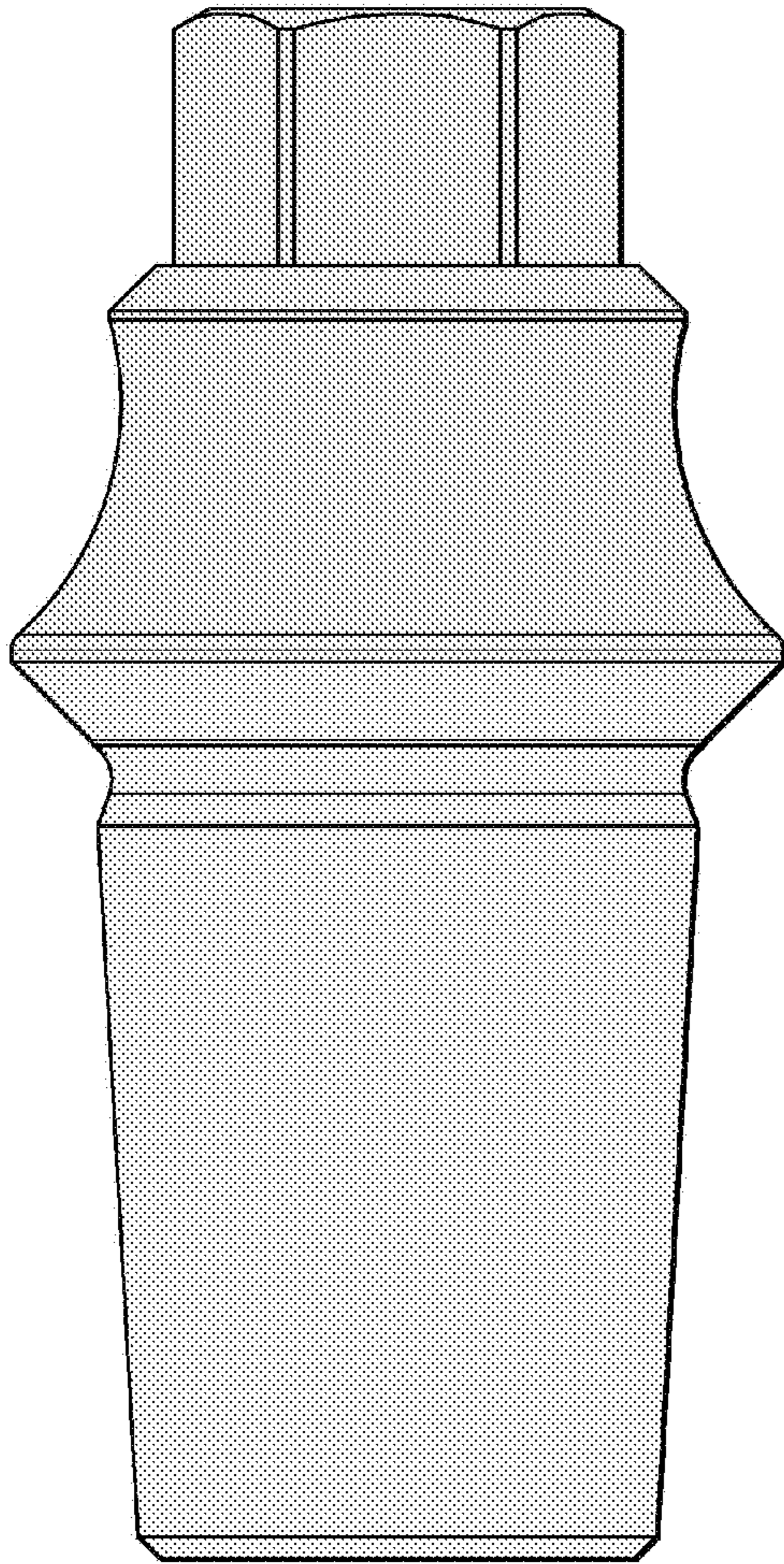


FIG. 13

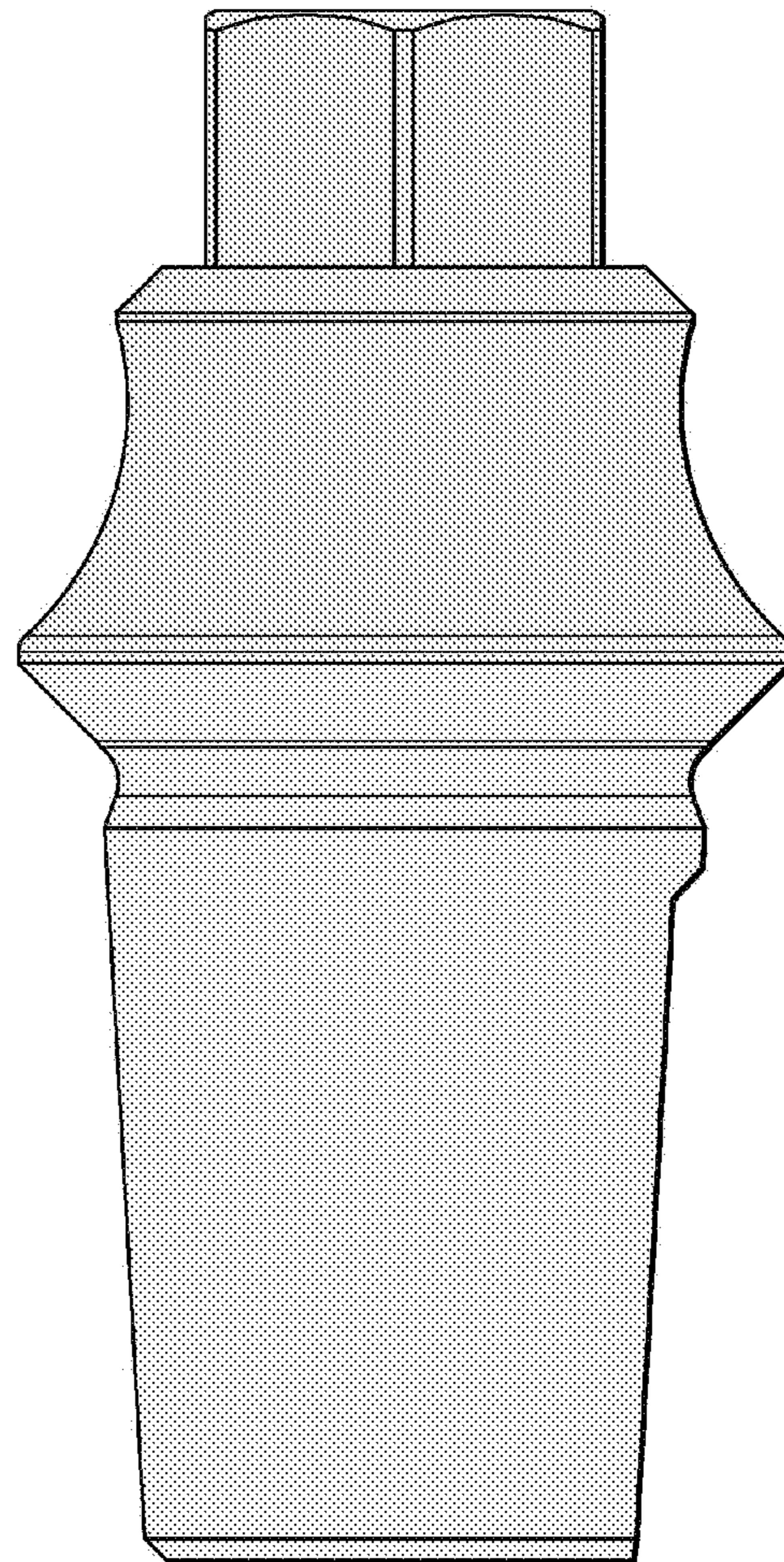


FIG. 14

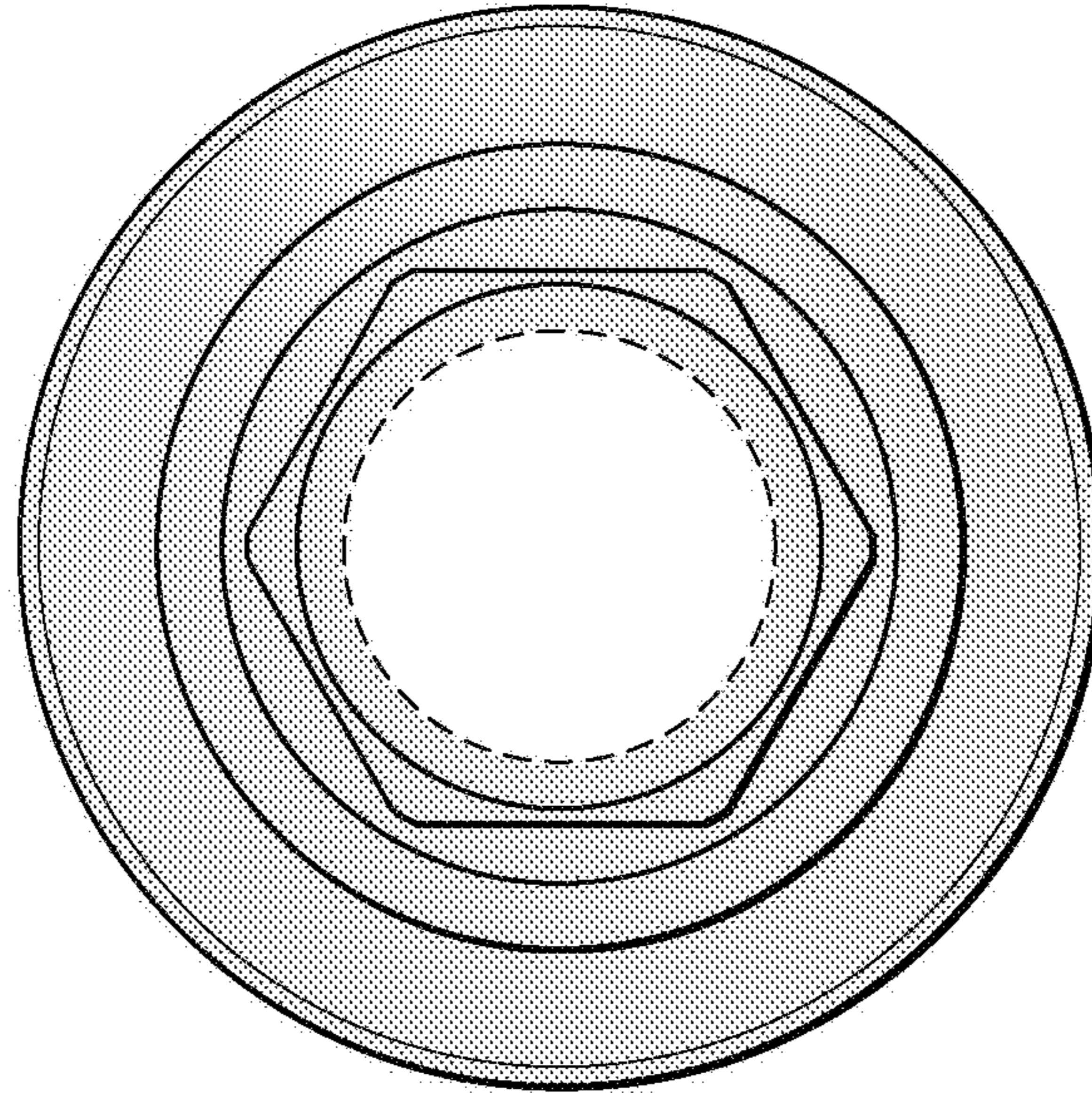


FIG. 15

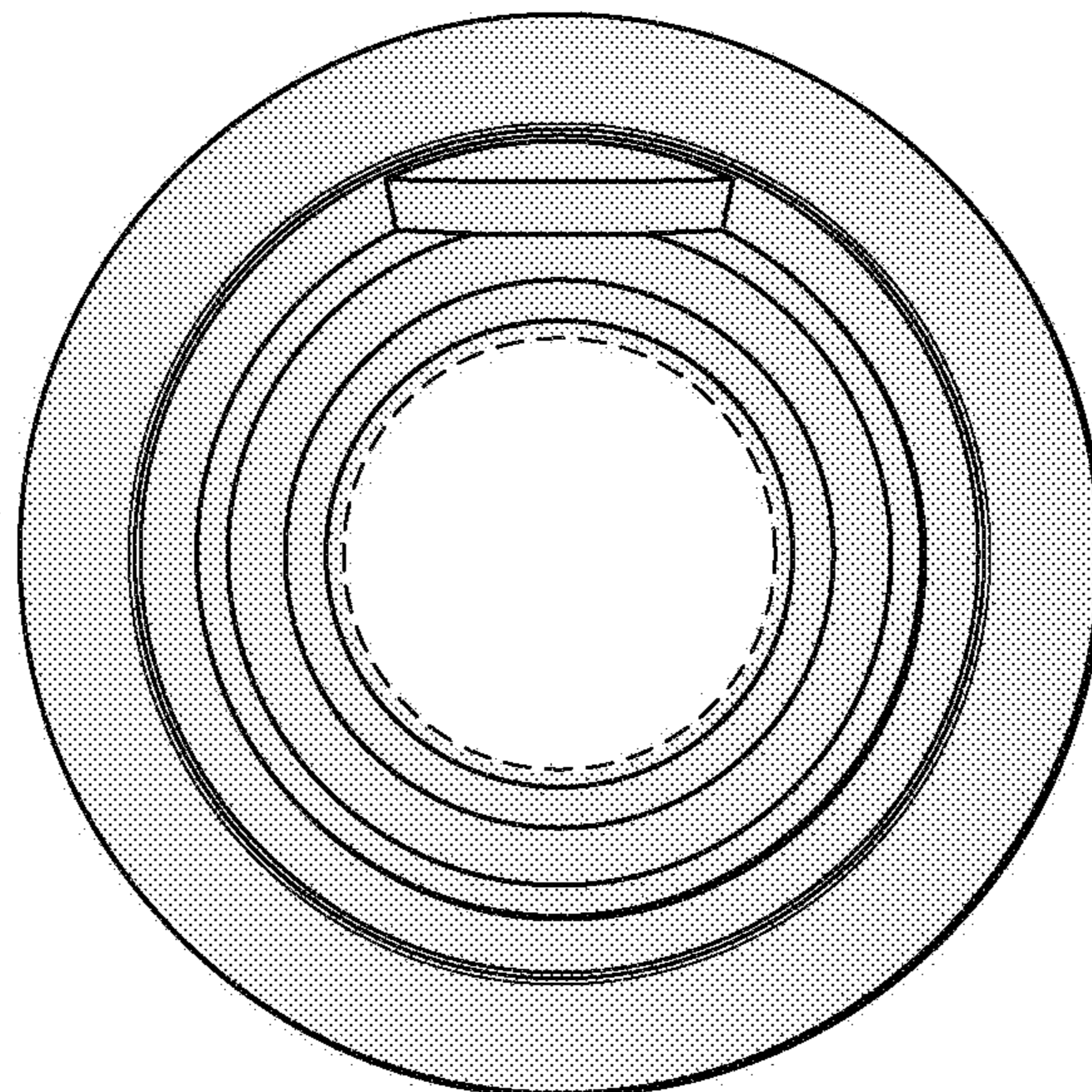


FIG. 16

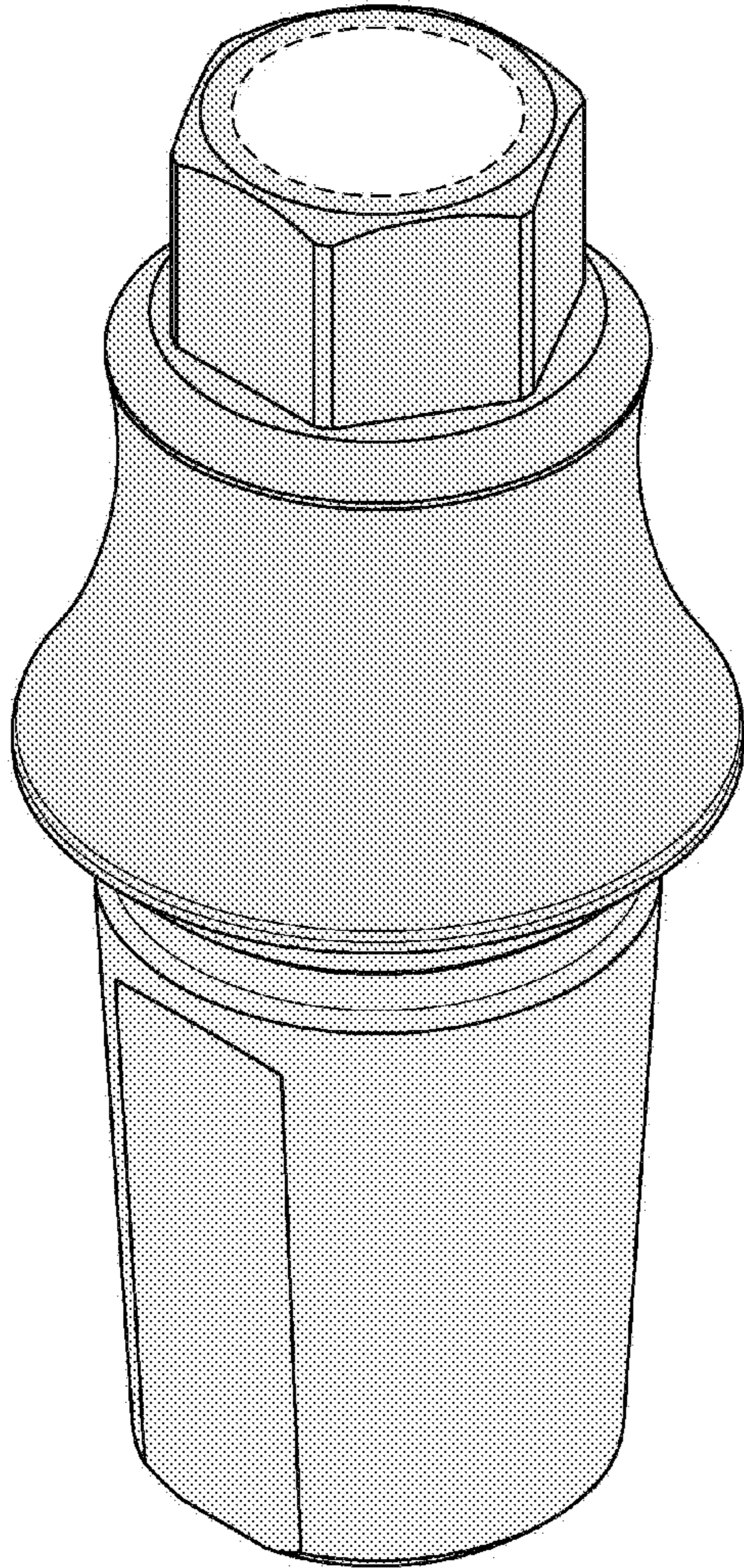


FIG. 17

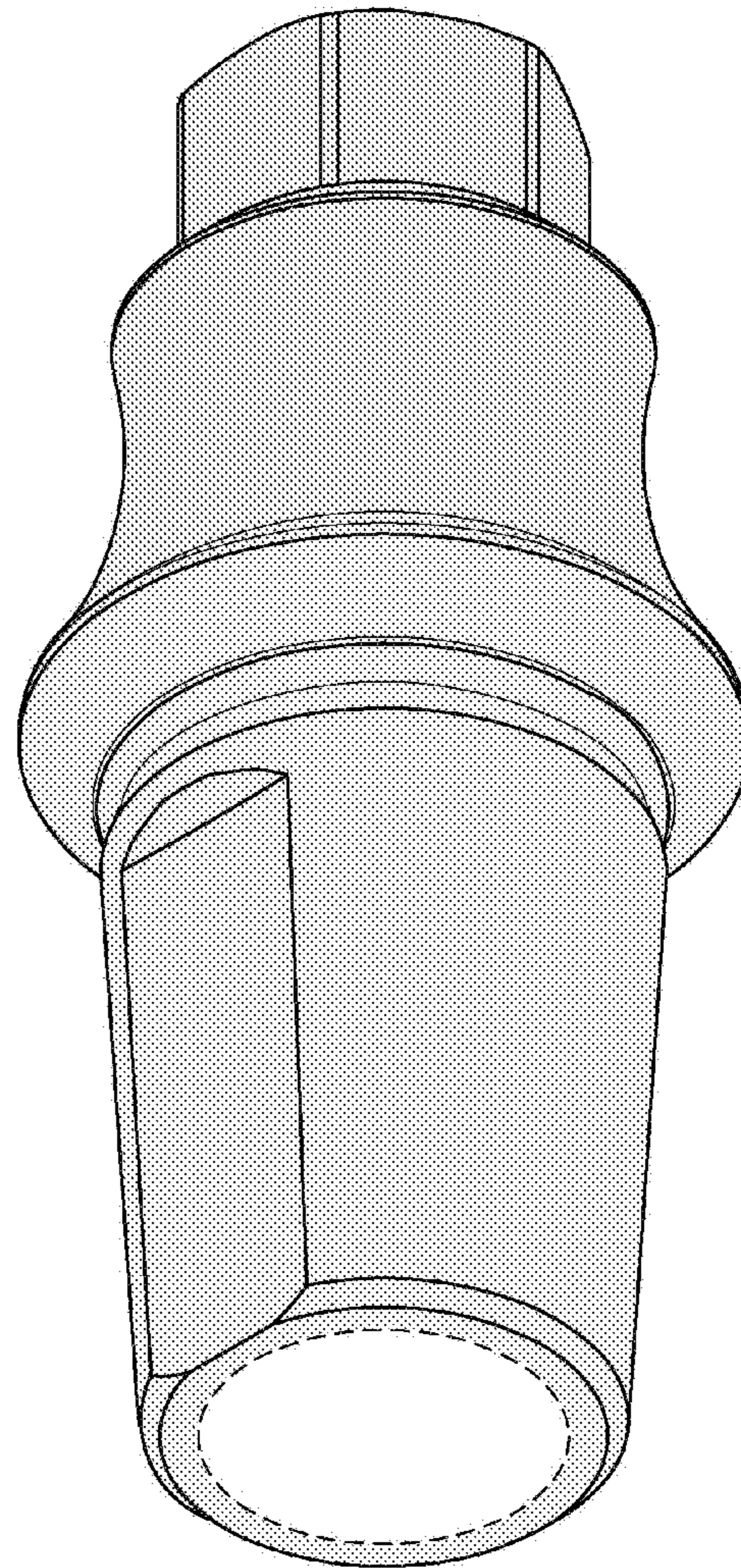


FIG. 18

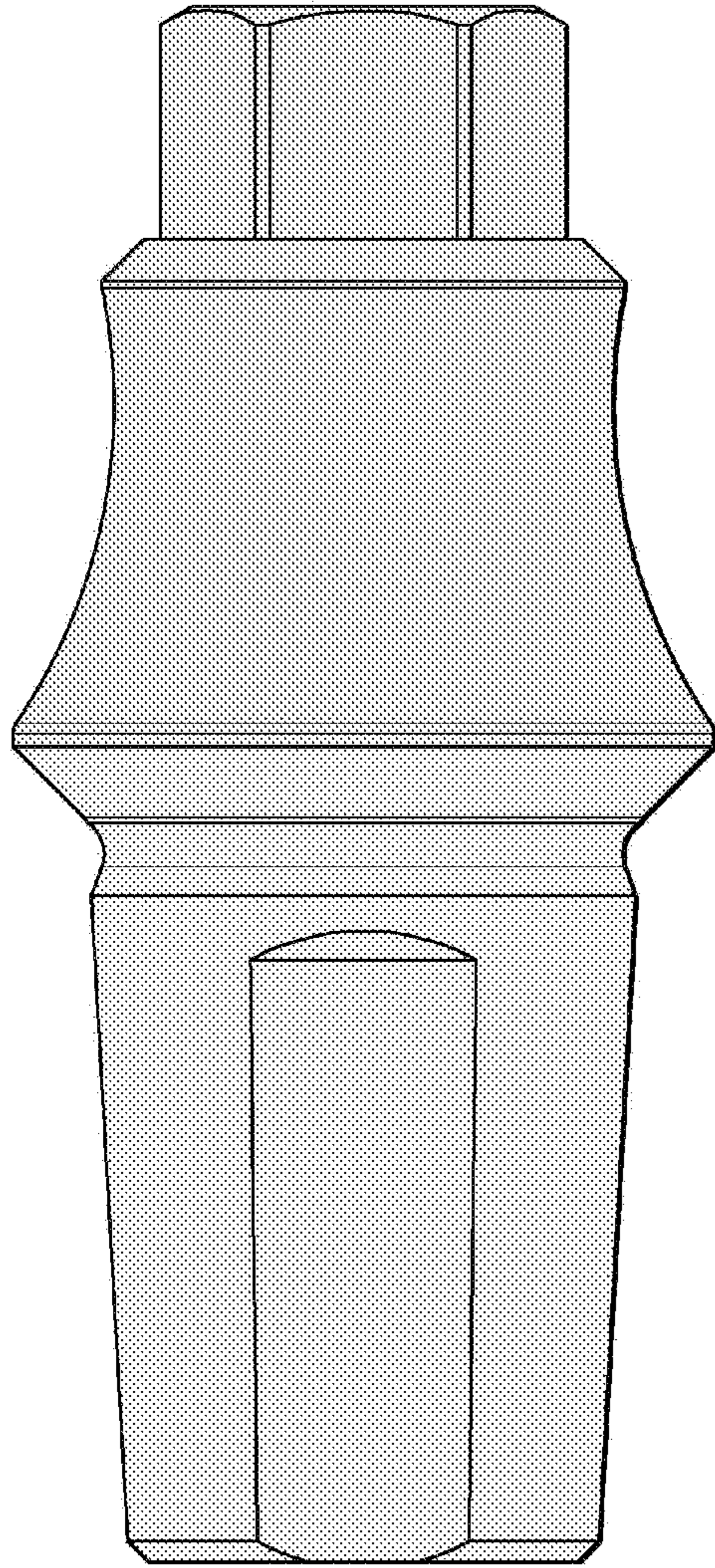


FIG. 19

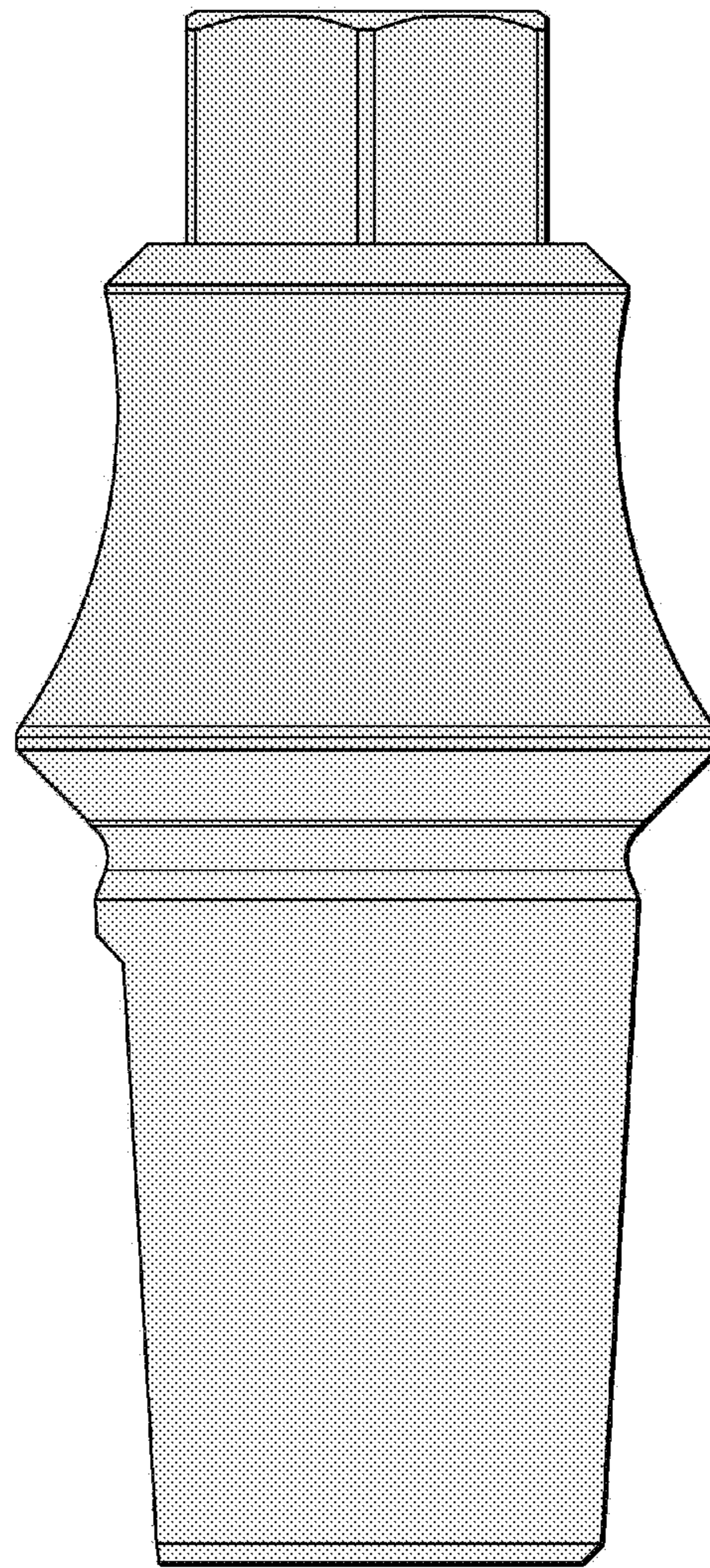


FIG. 20

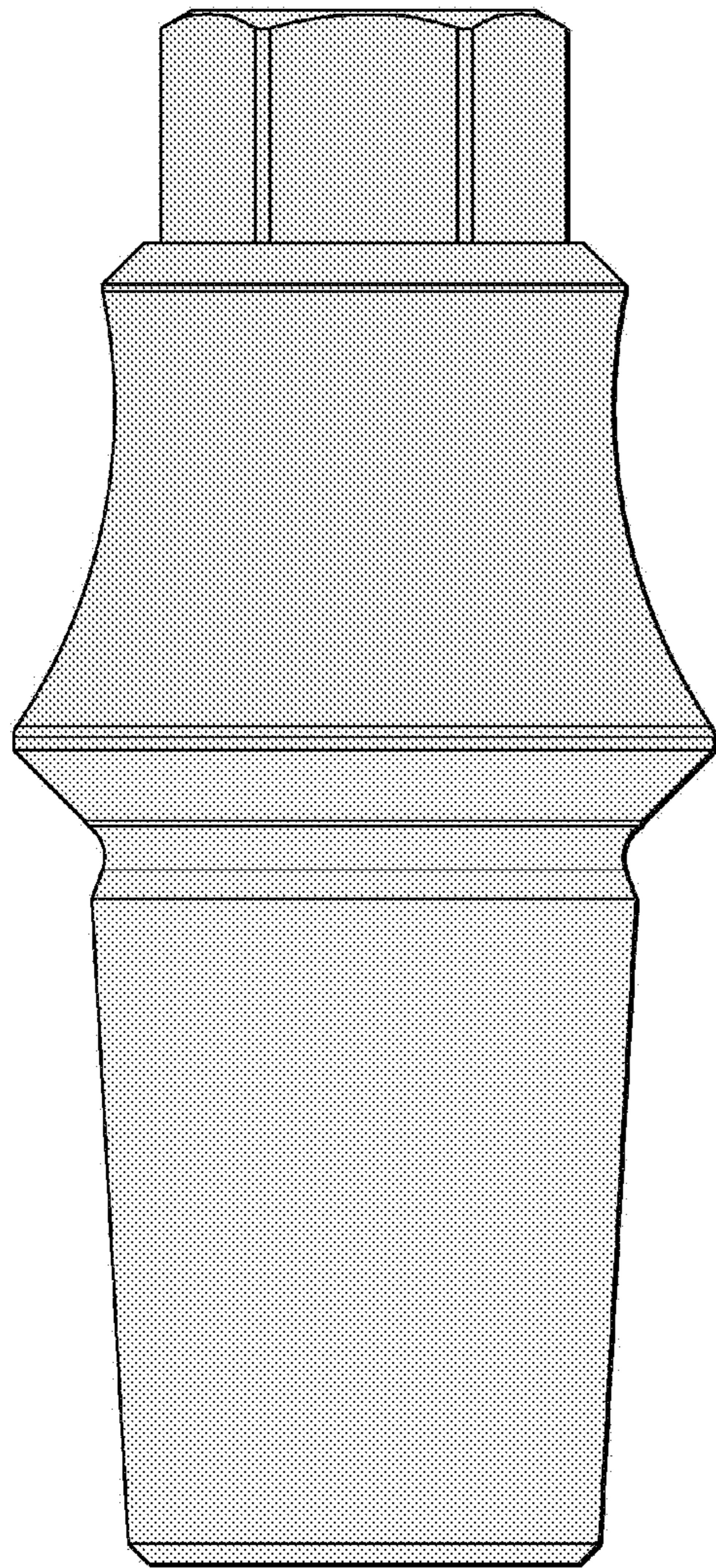


FIG. 21

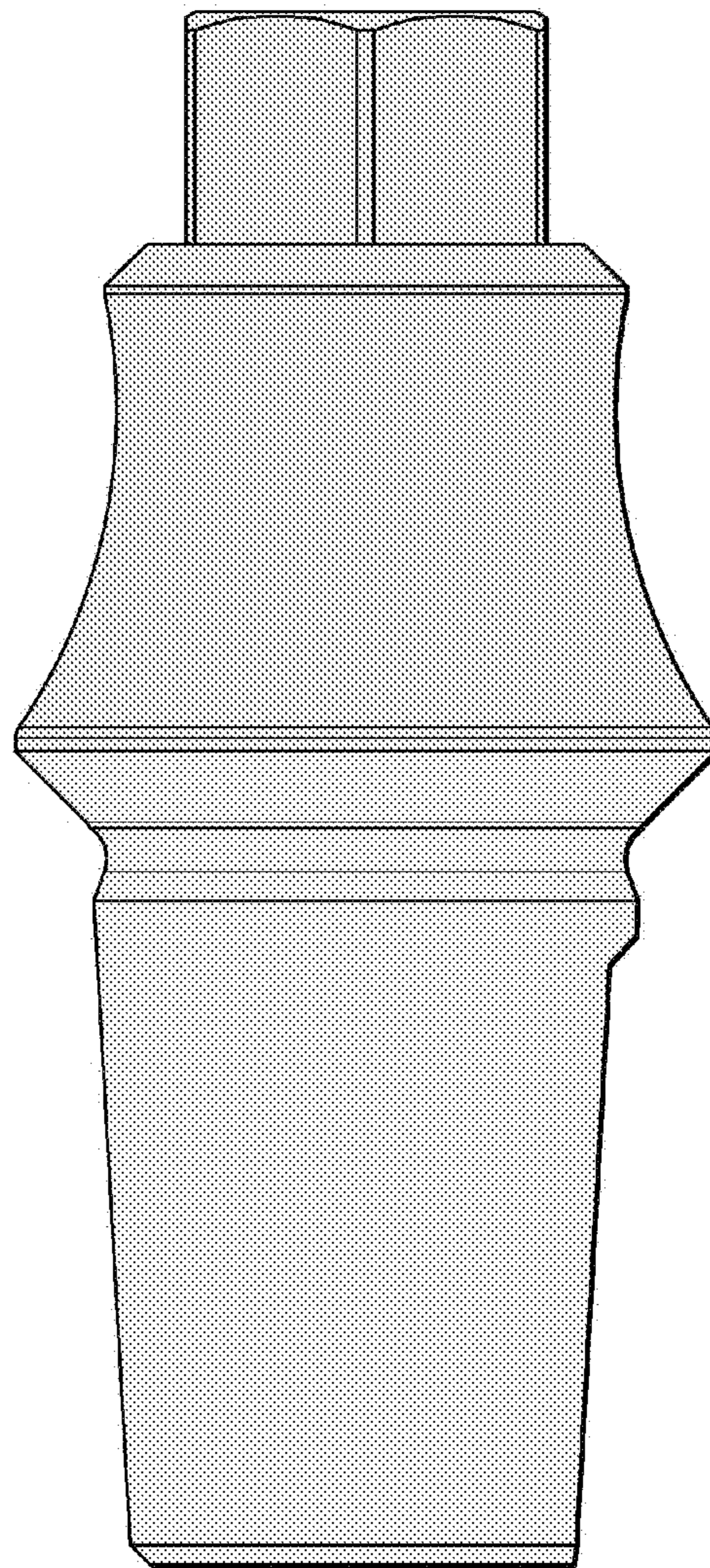


FIG. 22

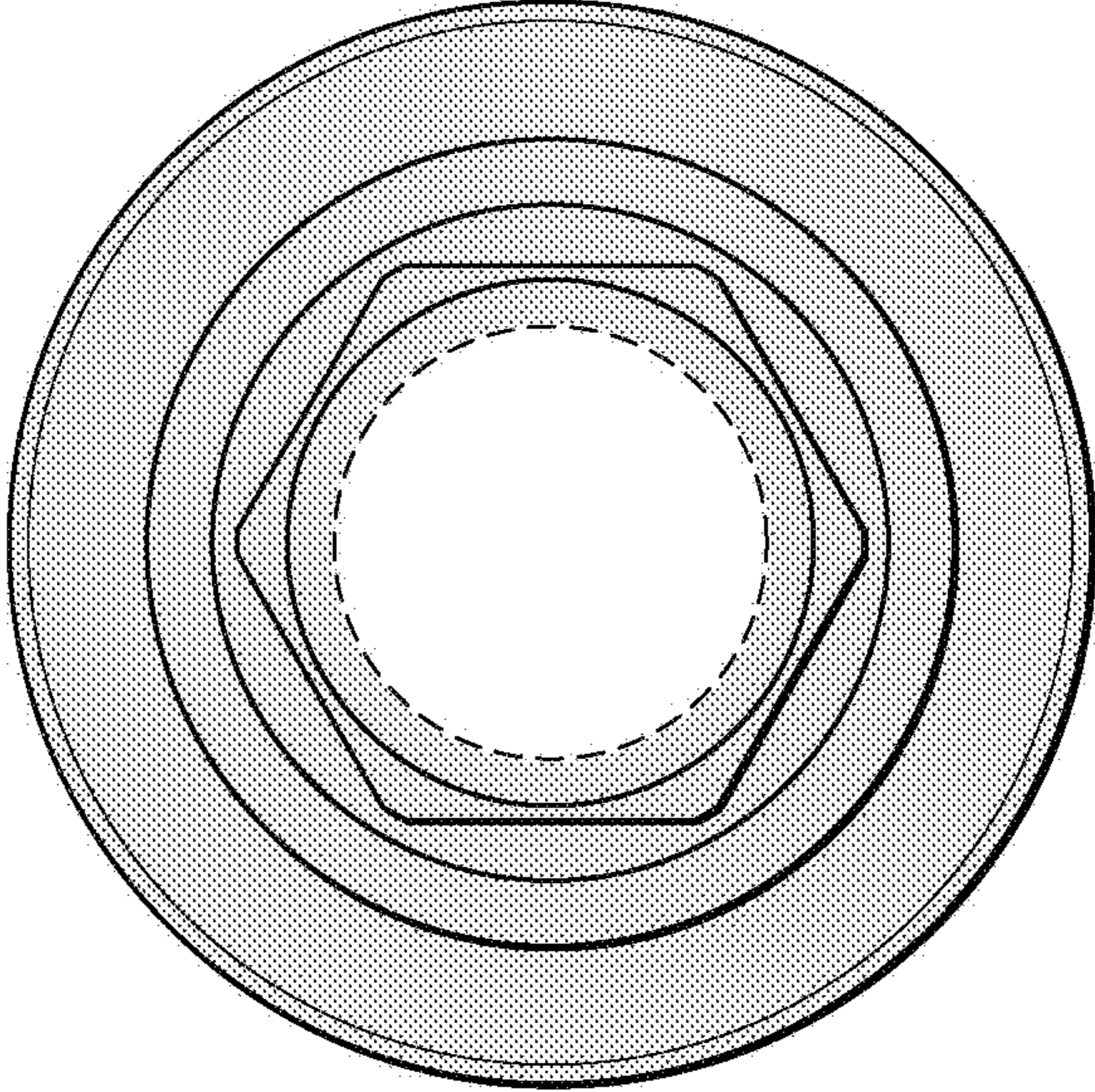


FIG. 23

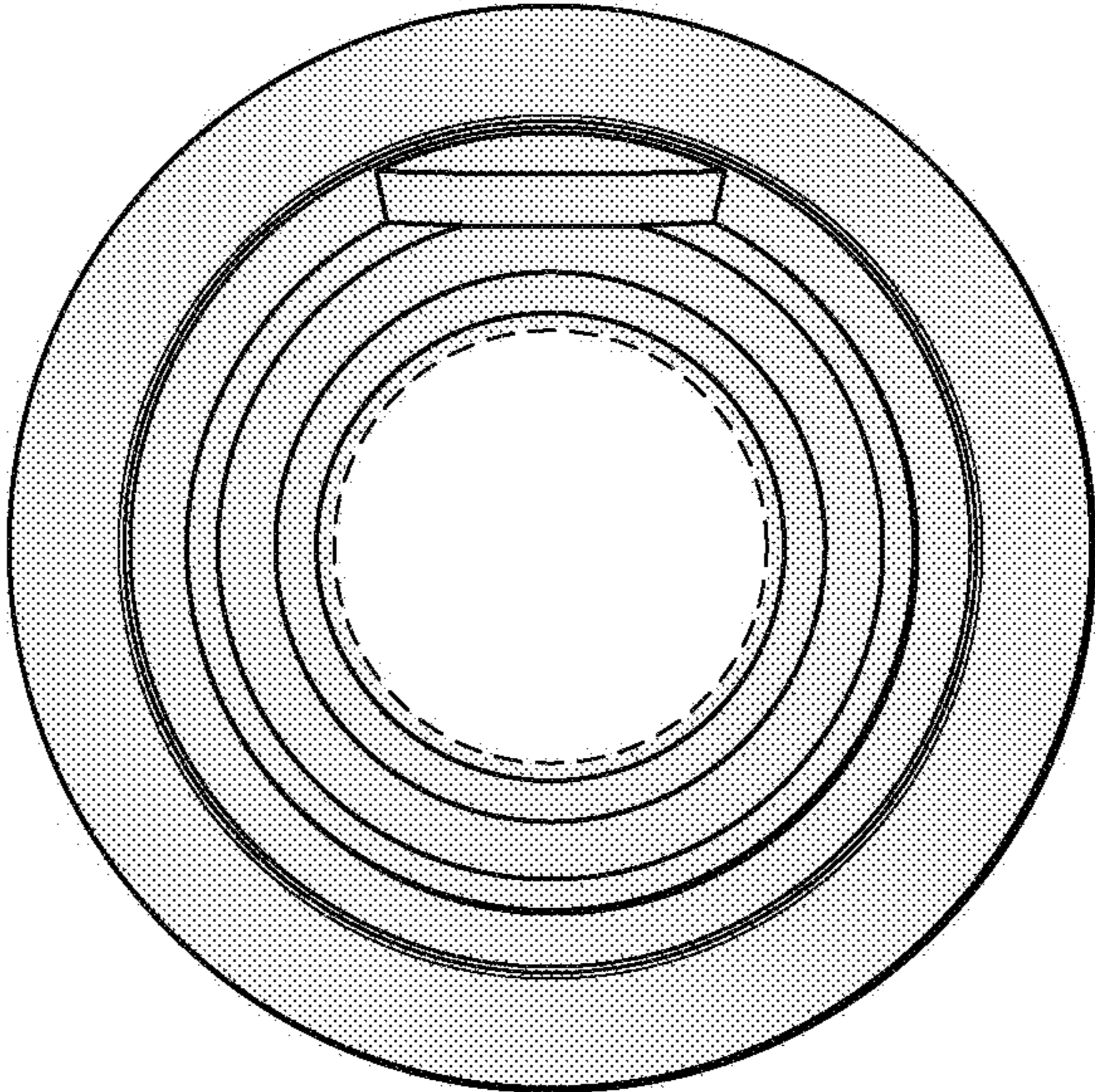


FIG. 24