

US00D752752S

(12) **United States Design Patent**
Casement et al.

(10) **Patent No.:** **US D752,752 S**
(45) **Date of Patent:** **** Mar. 29, 2016**

(54) **PROVISIONAL DENTAL IMPLANT**

(56) **References Cited**

(71) Applicant: **Provisional Implant Technology LLC,**
Denver, CO (US)

(72) Inventors: **Russell Casement,** Parker, CO (US);
Kelley Casement, Denver, CO (US);
Ricardo Gapski, Parana (BR)

(73) Assignee: **Provisional Implant Technology, LLC,**
Denver, CO (US)

(**) Term: **15 Years**

(21) Appl. No.: **29/529,318**

(22) Filed: **Jun. 5, 2015**

Related U.S. Application Data

(62) Division of application No. 29/471,534, filed on Nov. 1, 2013, now Pat. No. Des. 734,465.

(51) **LOC (10) Cl.** **24-02**

(52) **U.S. Cl.**
USPC **D24/155**

(58) **Field of Classification Search**
USPC D24/155-157
CPC .. A61C 8/0089; A61C 8/0069; A61C 8/0054;
A61C 8/00; A61C 8/0096; A61C 8/0039;
A61C 8/0063; A61C 8/006; A61C 8/0001;
A61C 8/0012; A61C 8/0075; A61C 13/225

See application file for complete search history.

U.S. PATENT DOCUMENTS

D362,720 S *	9/1995	Holmen	D24/155
5,779,480 A *	7/1998	Groll	A61C 8/005 433/172
6,024,567 A *	2/2000	Callan	A61C 8/0048 433/173
D486,914 S *	2/2004	Schulter	D24/156
D567,947 S *	4/2008	Lerner	D24/156
D580,059 S *	11/2008	Boettcher	D24/156
D587,371 S *	2/2009	Purga	D24/156
D587,373 S *	2/2009	Purga	D24/156
D659,829 S *	5/2012	Nihei	D24/156
D663,032 S *	7/2012	Mashio	D24/156
D663,419 S *	7/2012	Mashio	D24/156

* cited by examiner

Primary Examiner — Susan Bennett Hattan

Assistant Examiner — Charles Hanson

(74) *Attorney, Agent, or Firm* — Sheridan Ross P.C.

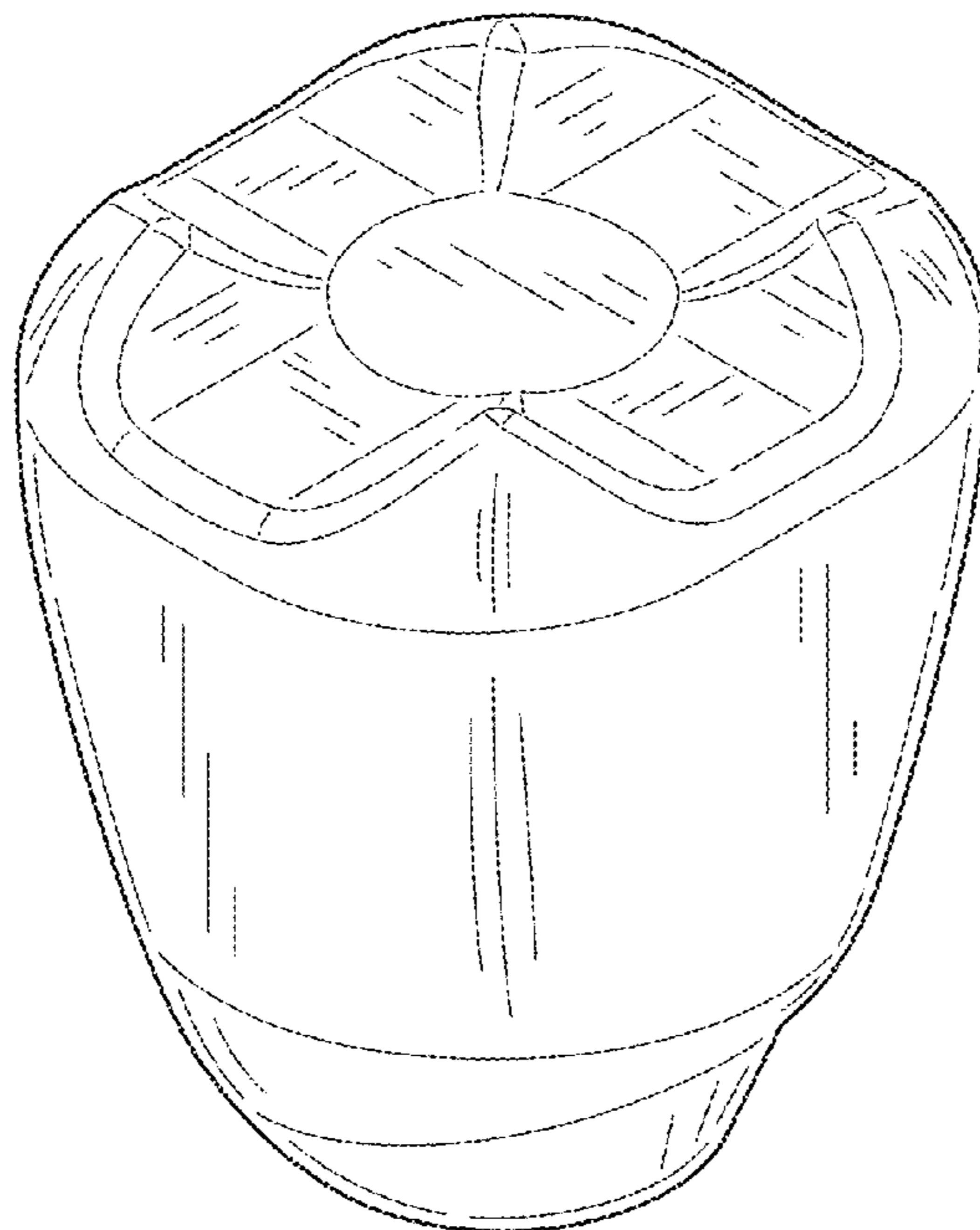
(57) **CLAIM**

The ornamental design for a provisional dental implant, as shown and described.

DESCRIPTION

FIG. 1 is a perspective view of the provisional dental implant showing the new design;
FIG. 2 is a front elevation view thereof;
FIG. 3 is a rear elevation view thereof;
FIG. 4 is a left elevation view thereof;
FIG. 5 is a right elevation view thereof;
FIG. 6 is a top plan view thereof; and,
FIG. 7 is a bottom plan view thereof.
The broken line showing is included for the purpose of illustrating environment and forms no part of the claimed design.

1 Claim, 4 Drawing Sheets



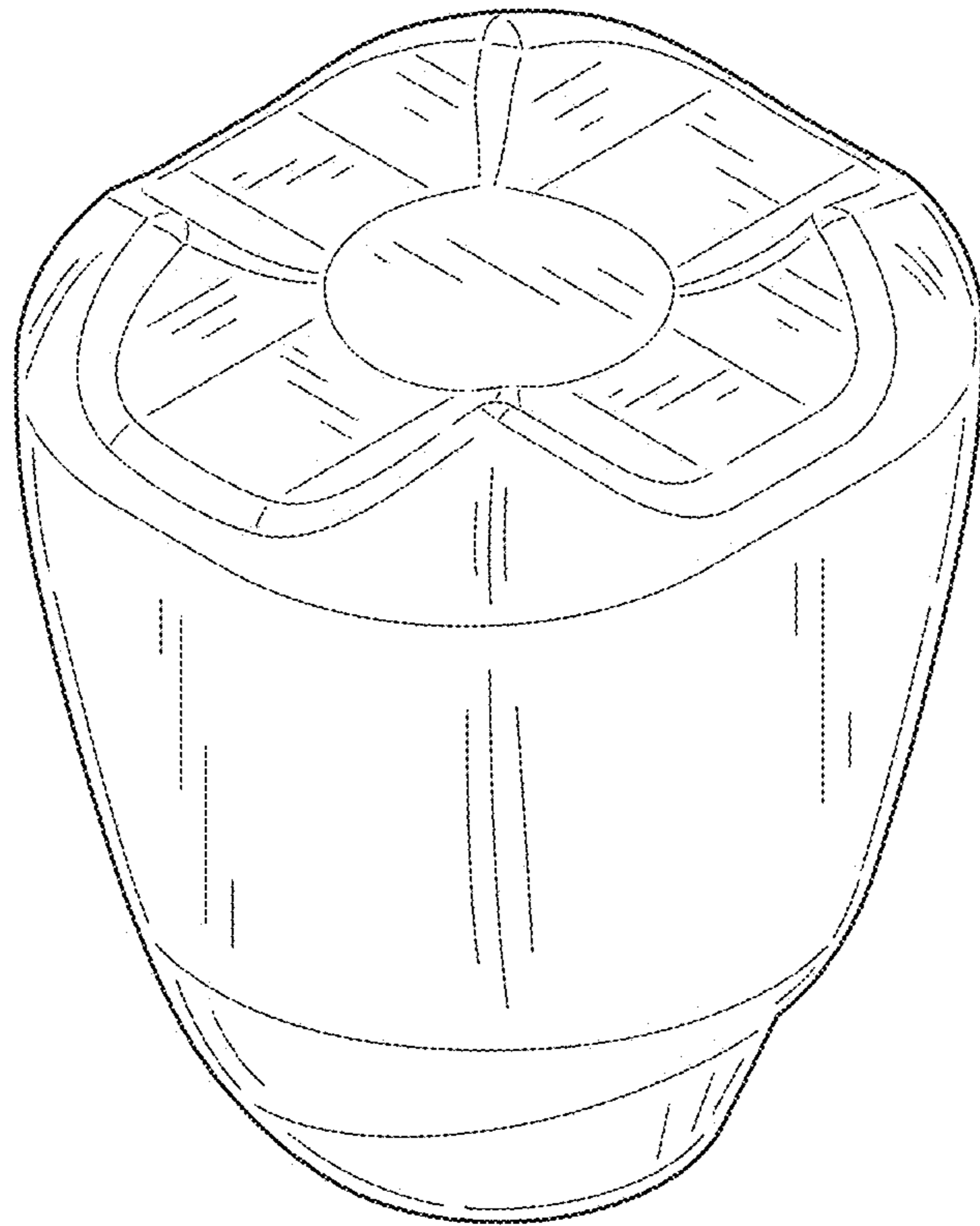


FIG.1

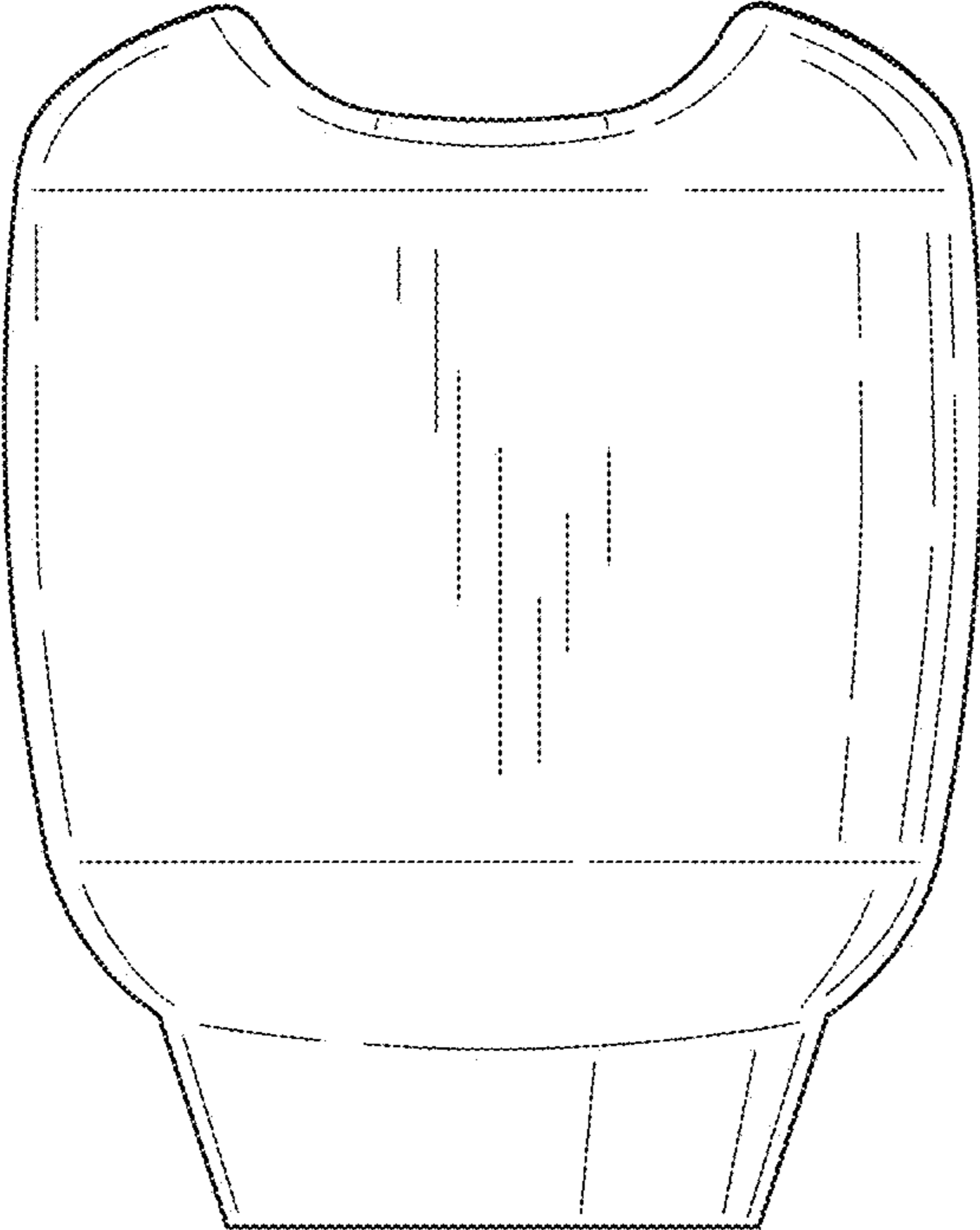


FIG.2

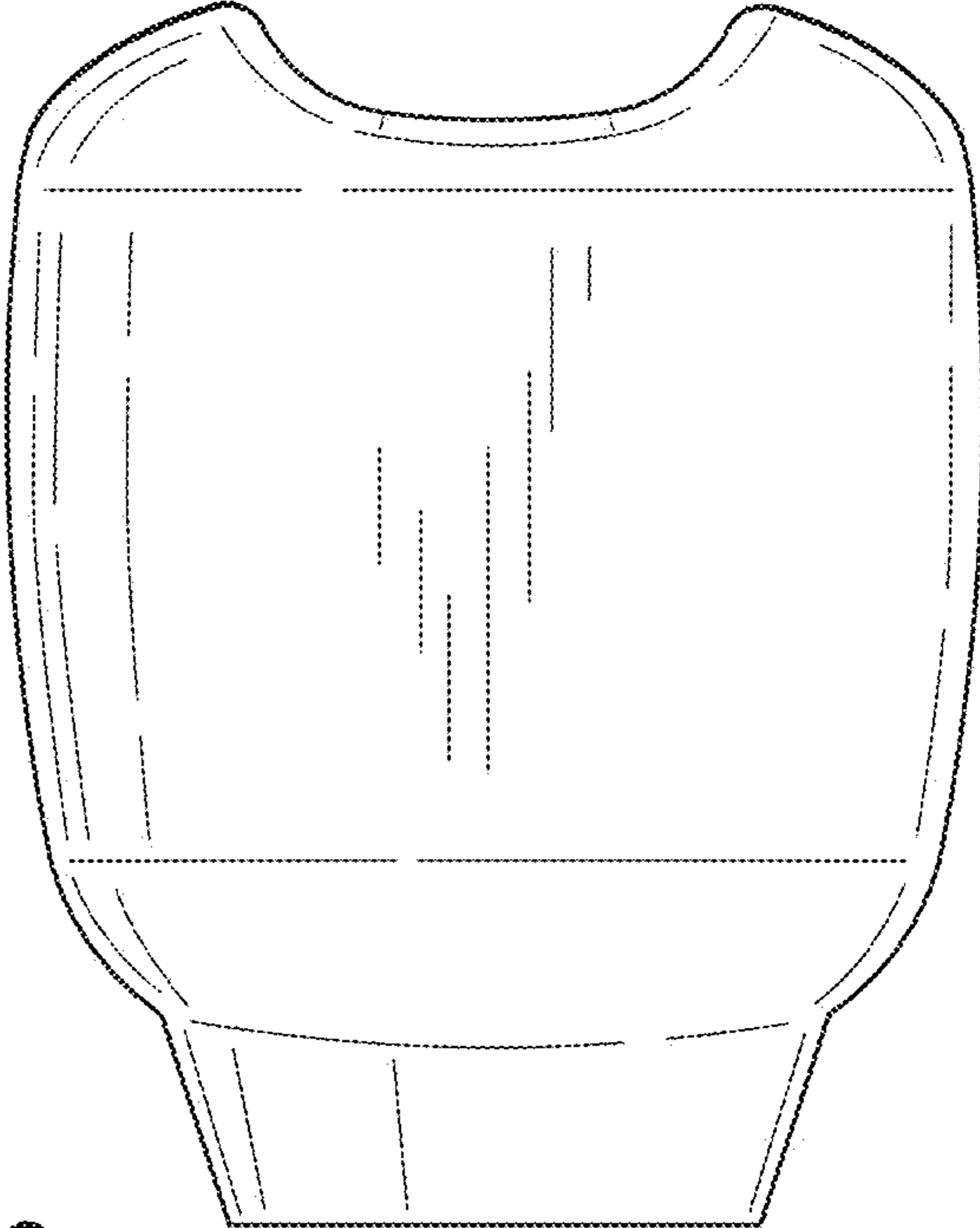


FIG.3

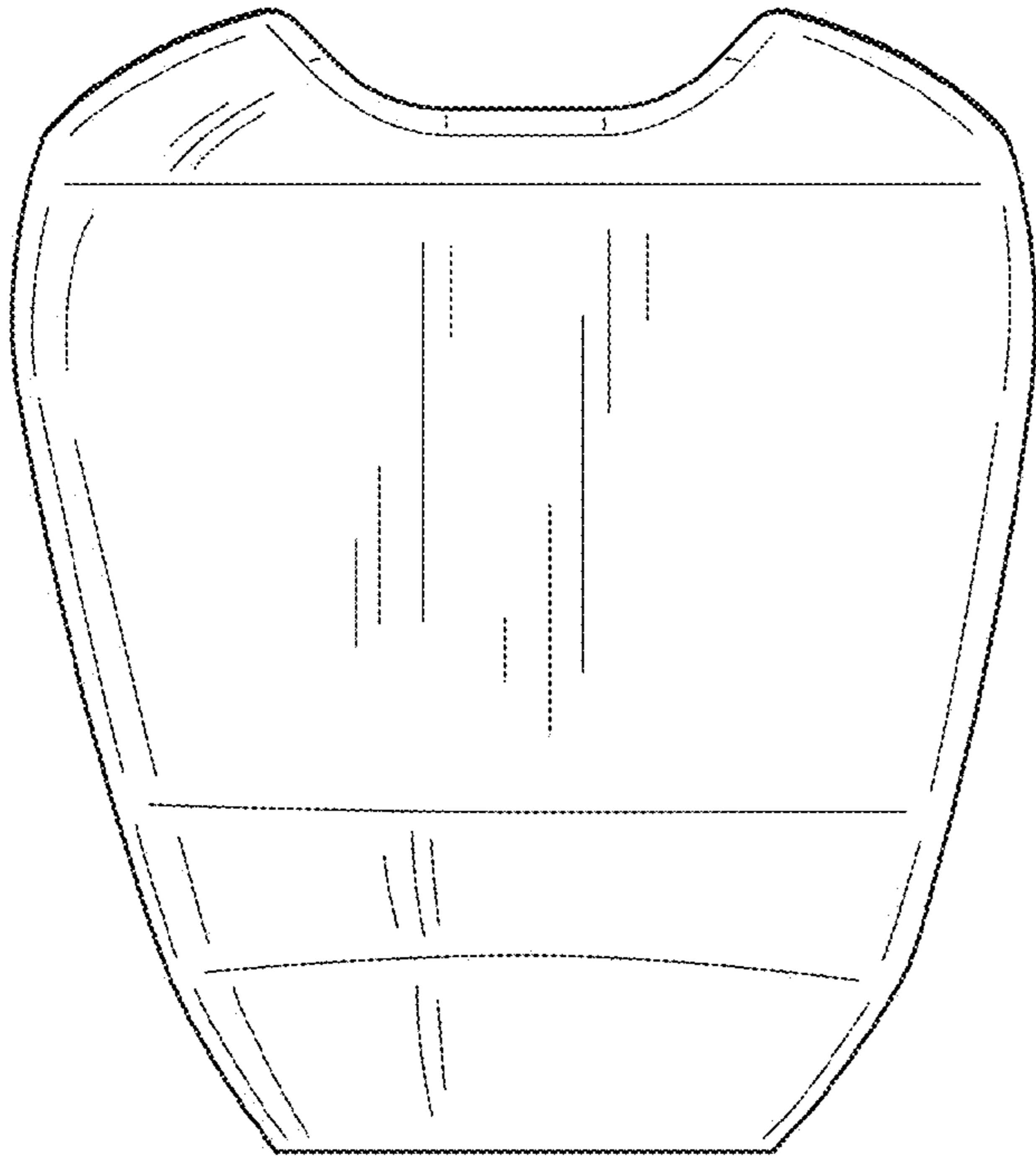


FIG.4

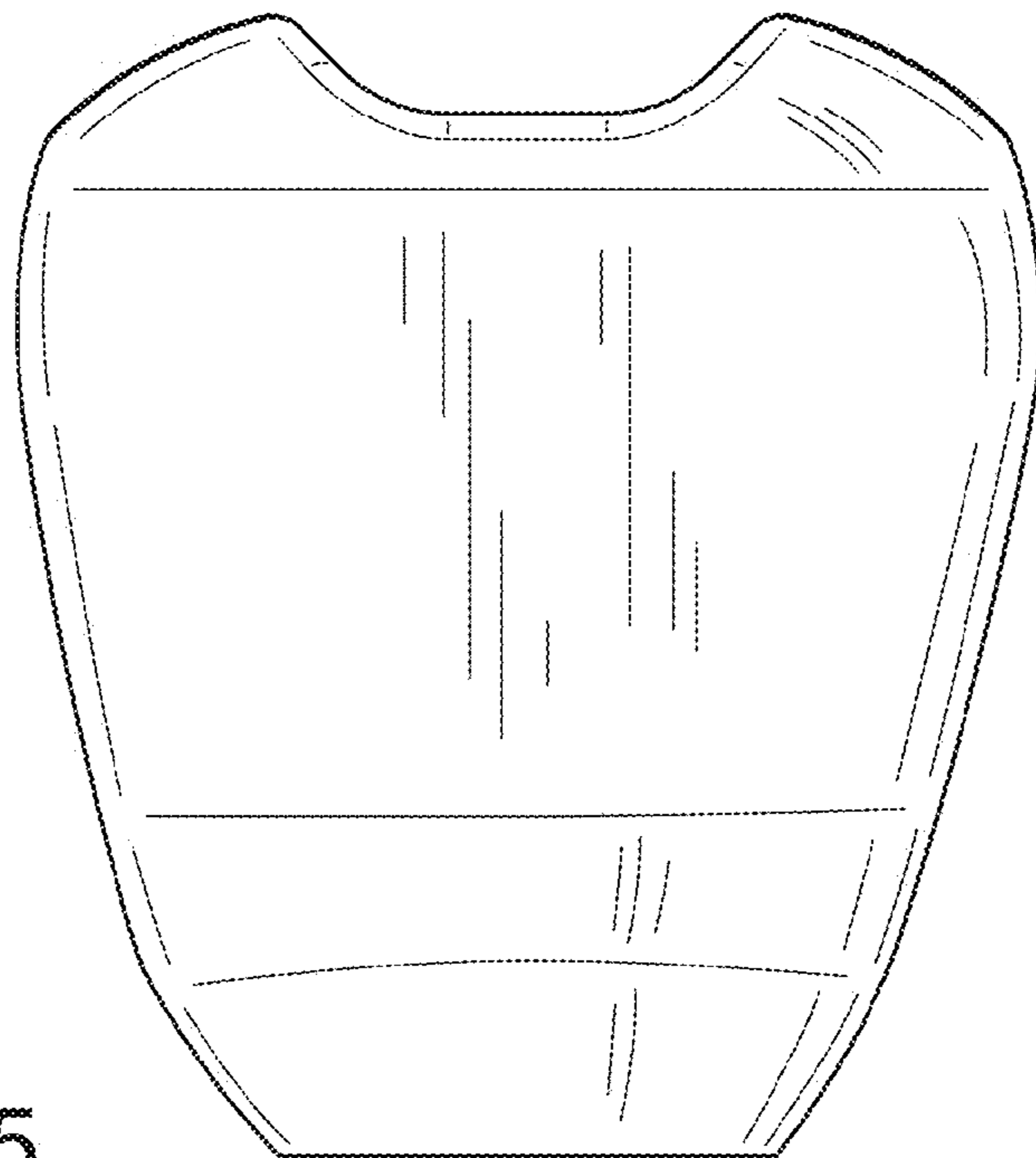


FIG.5

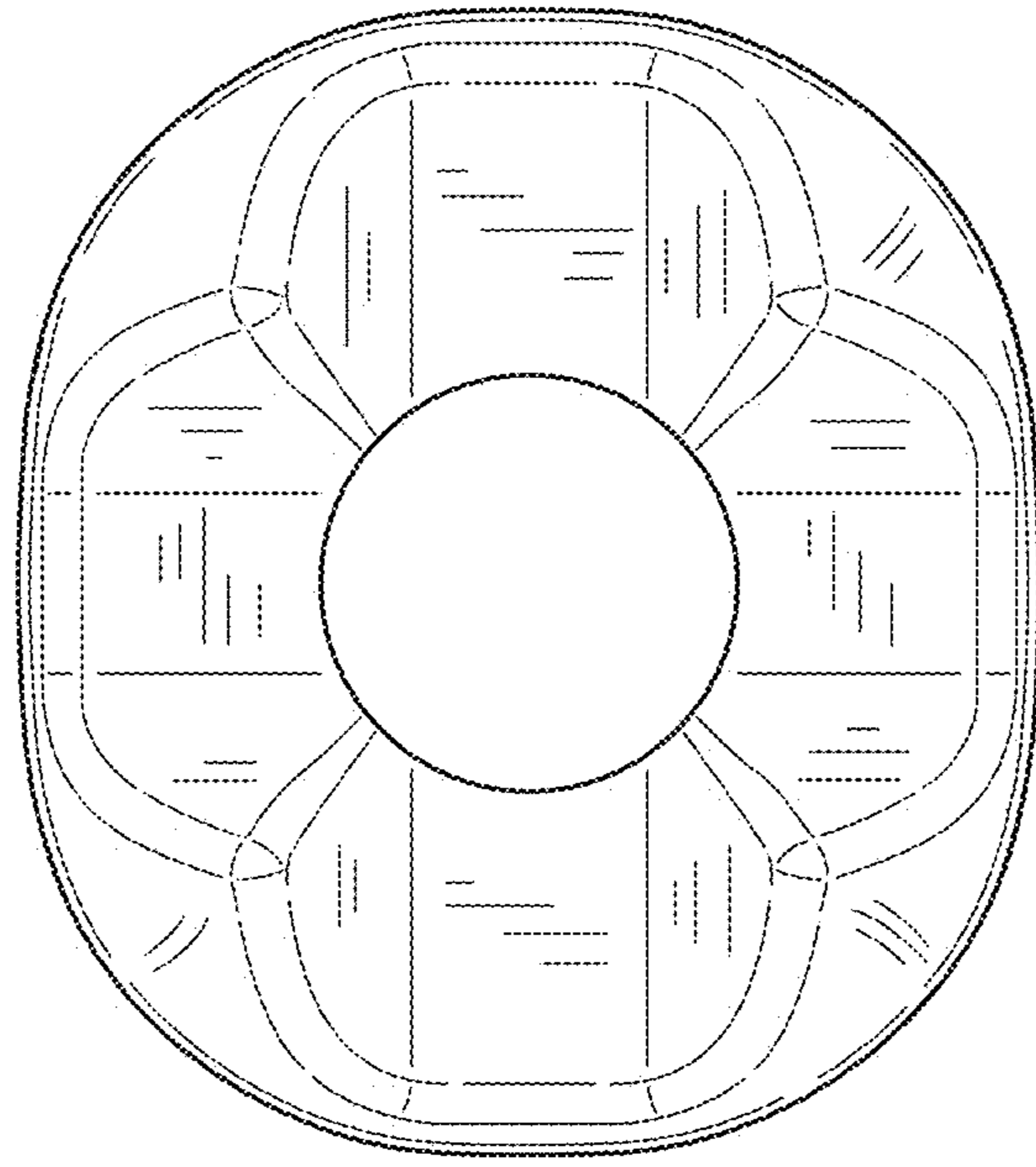


FIG. 6

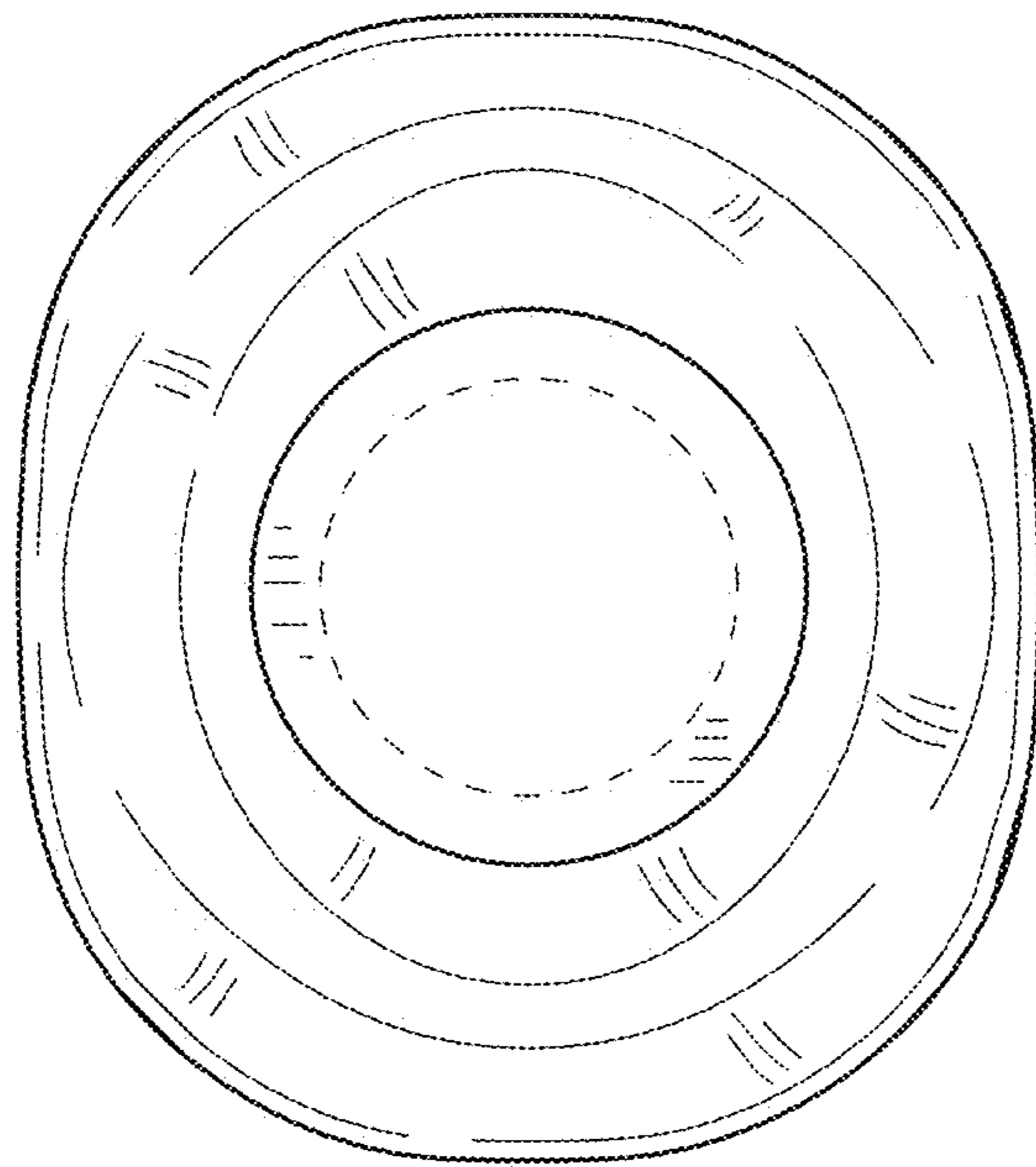


FIG. 7