



US00D752746S

(12) **United States Design Patent**  
**Teufel et al.**

(10) **Patent No.:** **US D752,746 S**  
(45) **Date of Patent:** **\*\* \*Mar. 29, 2016**

- (54) **TROCAR**
- (71) Applicant: **KARL STORZ GmbH & Co. KG**,  
Tuttlingen (DE)
- (72) Inventors: **Felix Teufel**, Tuttlingen (DE); **Martin Oberlaender**, Engen (DE)
- (73) Assignee: **KARL STORZ GmbH & Co. KG**,  
Tuttlingen (DE)
- (\*) Notice: This patent is subject to a terminal disclaimer.
- (\*\*) Term: **14 Years**
- (21) Appl. No.: **29/490,191**
- (22) Filed: **May 7, 2014**
- (30) **Foreign Application Priority Data**

Nov. 7, 2013 (EM) ..... 002340372-007

- (51) **LOC (10) Cl.** ..... **24-02**
- (52) **U.S. Cl.**  
USPC ..... **D24/146**

- (58) **Field of Classification Search**  
USPC ..... D7/649; D8/93, 97, 300, 310, 311, 313;  
D19/110, 115; D24/127, 130, 133,  
D24/146, 147, 148  
CPC ..... B26B 3/00; B26B 1/10; B26B 5/005;  
A61B 17/809; A61B 17/1617; A61B 17/3211;  
A61B 5/1411; A61B 17/3417  
See application file for complete search history.

(56) **References Cited**  
U.S. PATENT DOCUMENTS

3,980,078	A *	9/1976	Tominaga	.....	600/157
4,112,932	A *	9/1978	Chiulli	.....	604/264
D370,062	S *	5/1996	Tucker	.....	D24/130

5,685,823	A *	11/1997	Ito et al.	.....	600/127
D619,716	S	7/2010	Wagner		
7,846,090	B2 *	12/2010	Pilvisto et al.	.....	600/153
D638,941	S *	5/2011	Cuschieri	.....	D24/147
D664,654	S *	7/2012	Cuschieri et al.	.....	D24/138
8,251,900	B2 *	8/2012	Ortiz et al.	.....	600/208
D666,717	S *	9/2012	Hermle	.....	D24/138
D670,805	S *	11/2012	Hermle	.....	D24/138
8,430,811	B2 *	4/2013	Hess et al.	.....	600/203
8,485,970	B2 *	7/2013	Widenhouse et al.	.....	600/201
D717,432	S *	11/2014	Leroy et al.	.....	D24/138
D720,068	S *	12/2014	Oberlaender	.....	D24/133
8,961,406	B2 *	2/2015	Ortiz et al.	.....	600/204
2010/0063452	A1 *	3/2010	Edelman et al.	.....	604/175
2010/0228091	A1 *	9/2010	Widenhouse et al.	.....	600/203
2010/0228094	A1 *	9/2010	Ortiz et al.	.....	600/205

\* cited by examiner

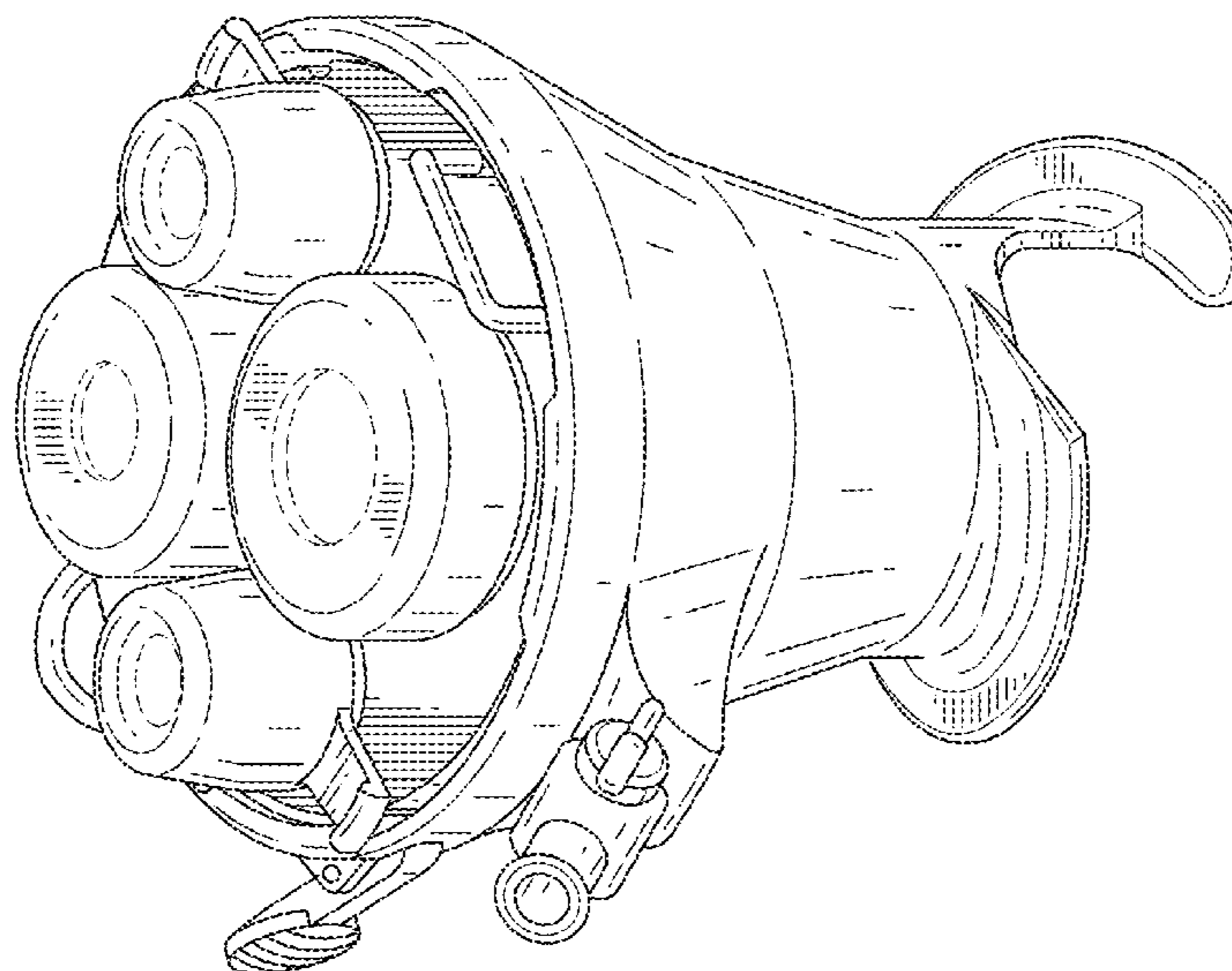
*Primary Examiner* — Robert M Spear  
*Assistant Examiner* — Marissa J Cash  
(74) *Attorney, Agent, or Firm* — Muncy, Geissler, Olds & Lowe, P.C.

(57) **CLAIM**  
The ornamental design for a trocar, as shown and described.

**DESCRIPTION**

FIG. 1 is a perspective view of a trocar according to the present invention.  
FIG. 2 is a bottom view of the trocar of FIG. 1.  
FIG. 3 is a top view of the trocar of FIG. 1.  
FIG. 4 is a left view of the trocar of FIG. 1.  
FIG. 5 is a right view of the trocar of FIG. 1.  
FIG. 6 is a front view of the trocar of FIG. 1; and,  
FIG. 7 is a rear view of the trocar of FIG. 1.  
The dashed lines illustrate environment that does not form a part of the present invention, and no claim is made to the material illustrated with dashed lines.

**1 Claim, 7 Drawing Sheets**



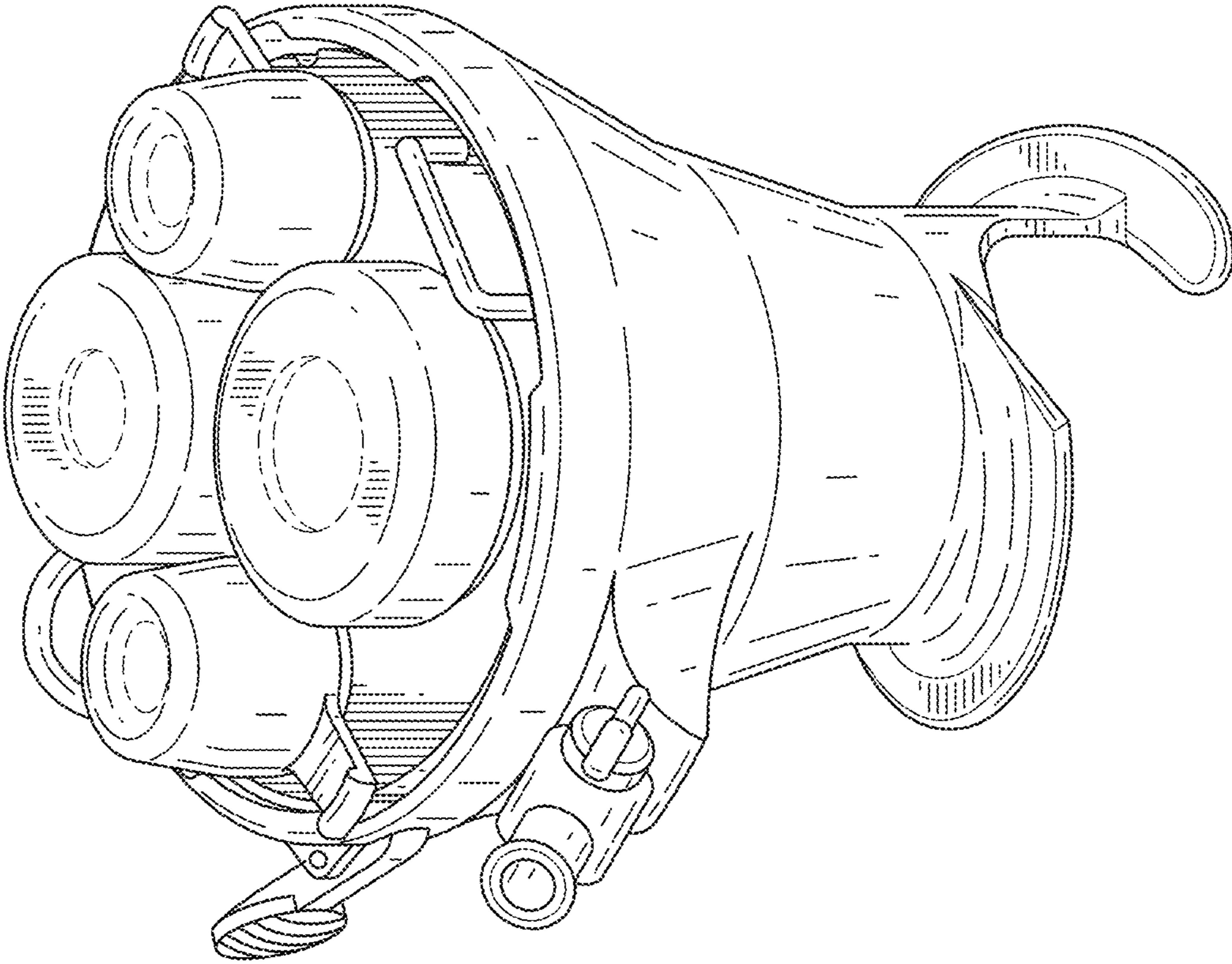


FIG. 1

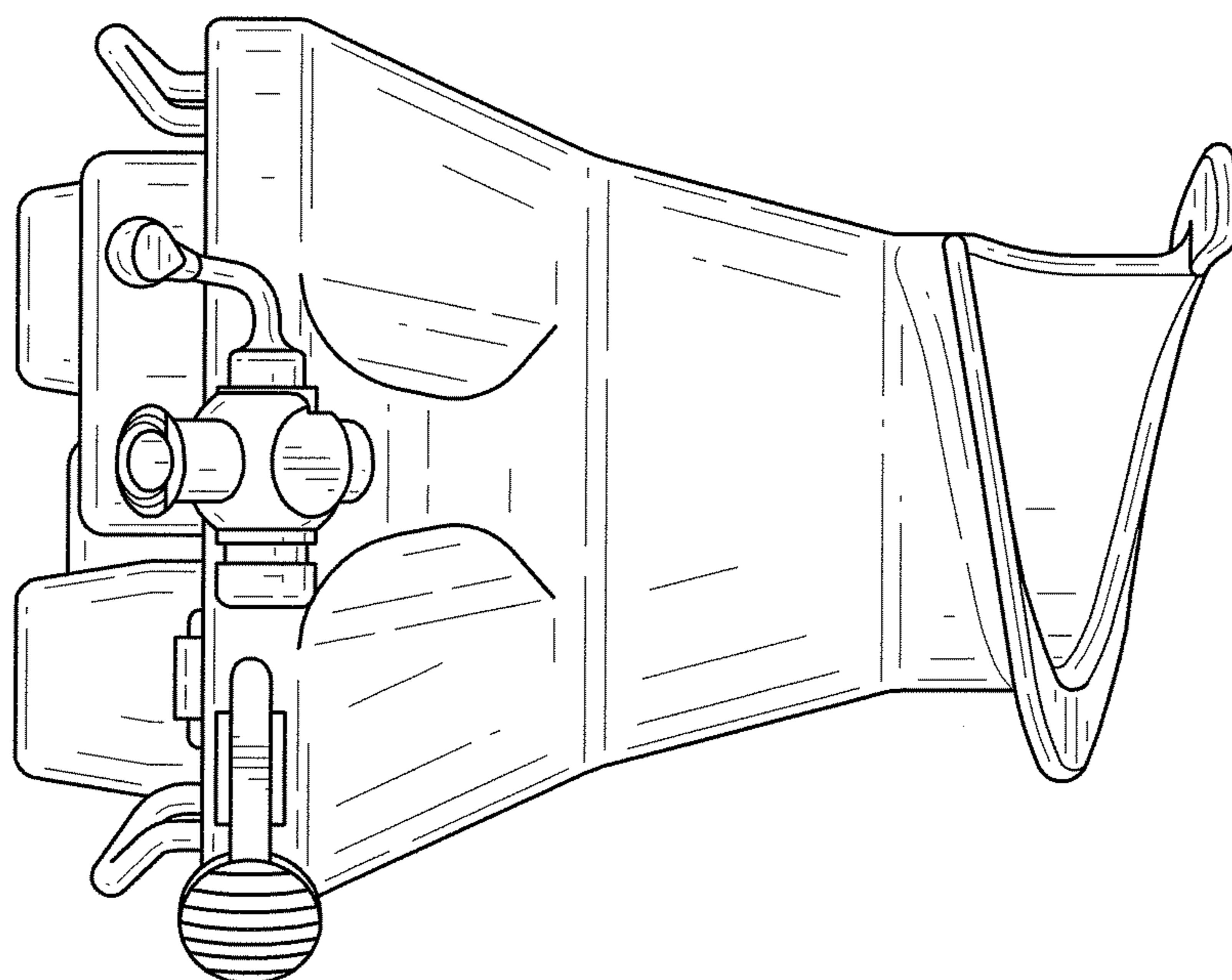


FIG.2

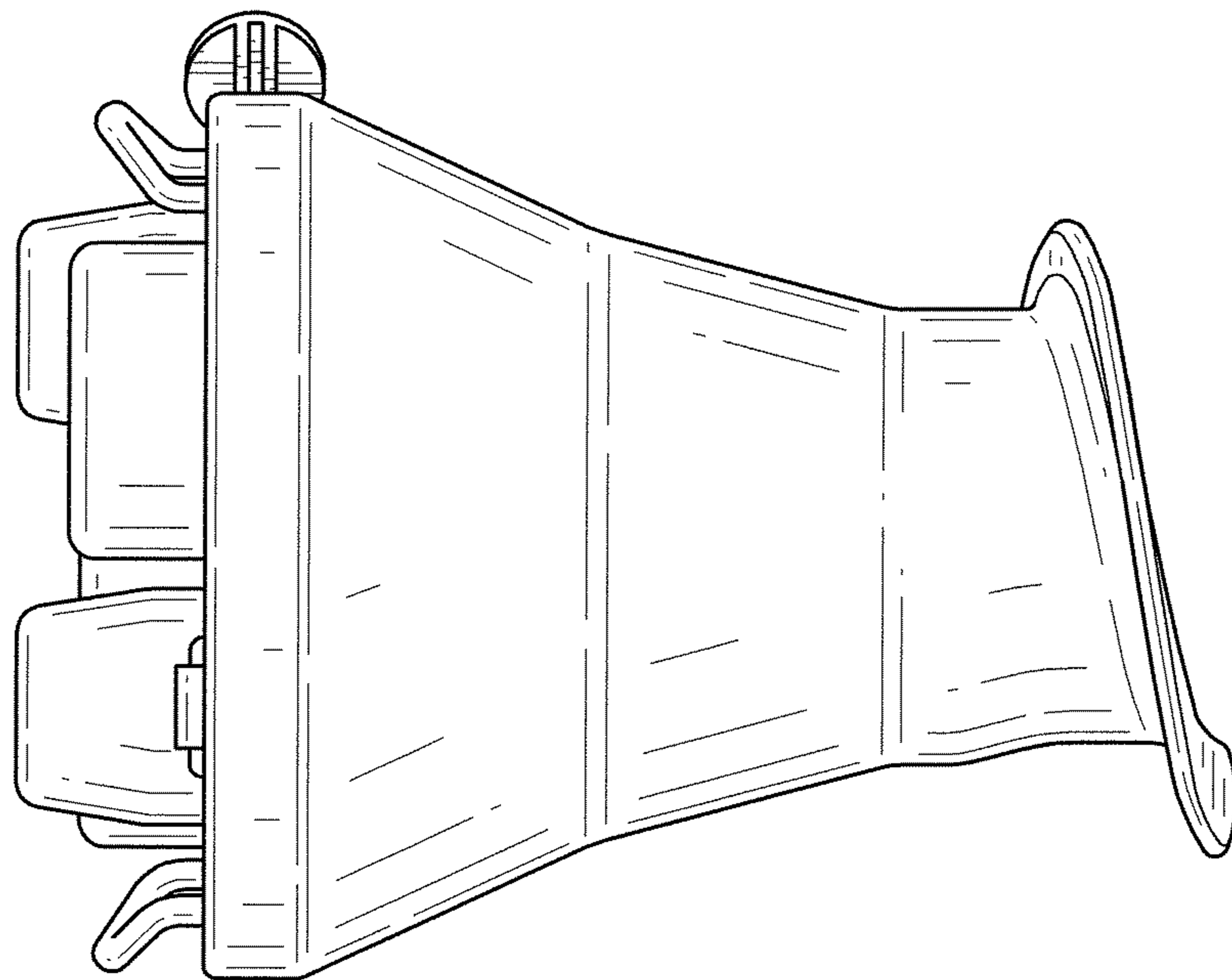


FIG.3

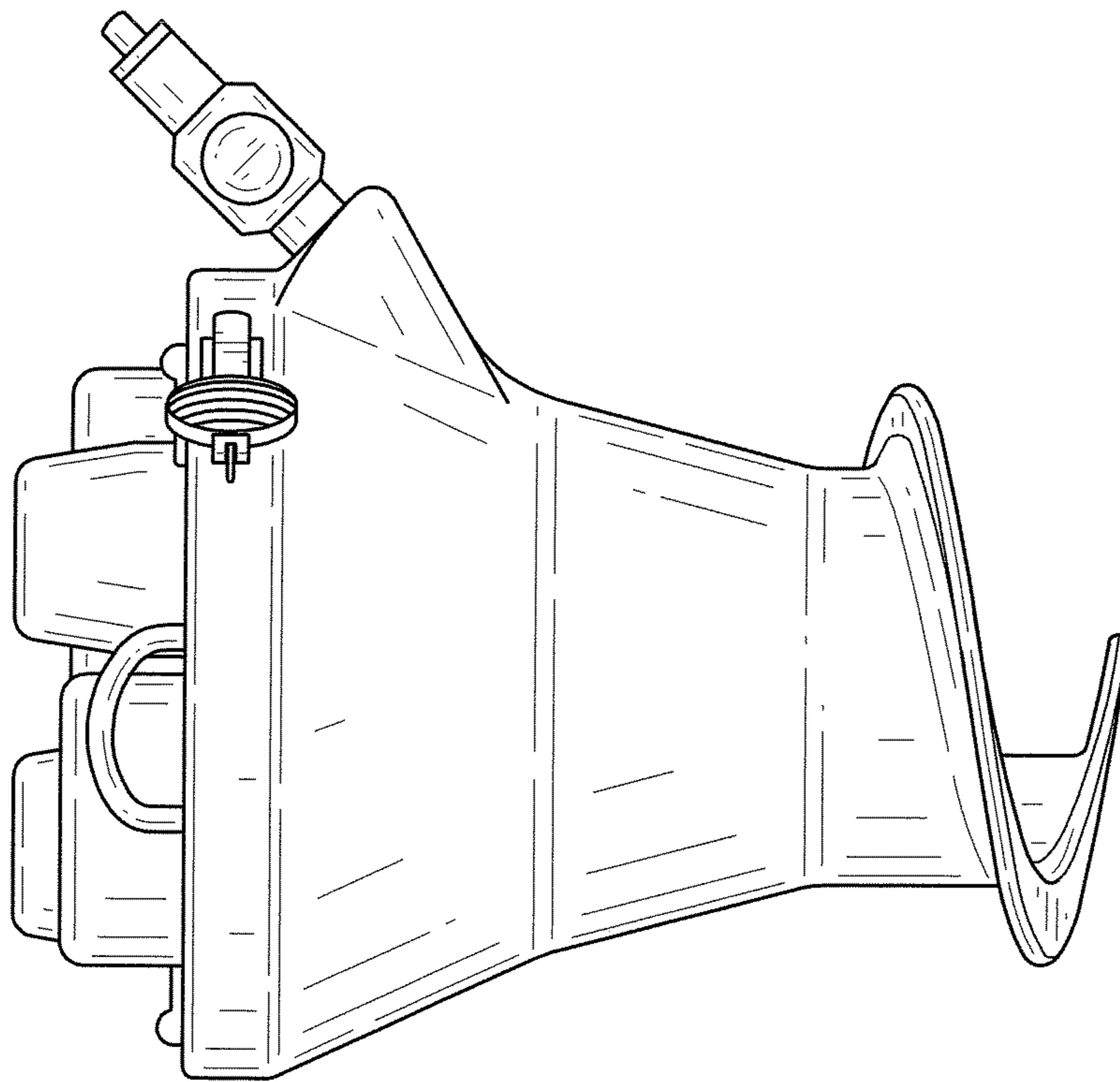


FIG.4

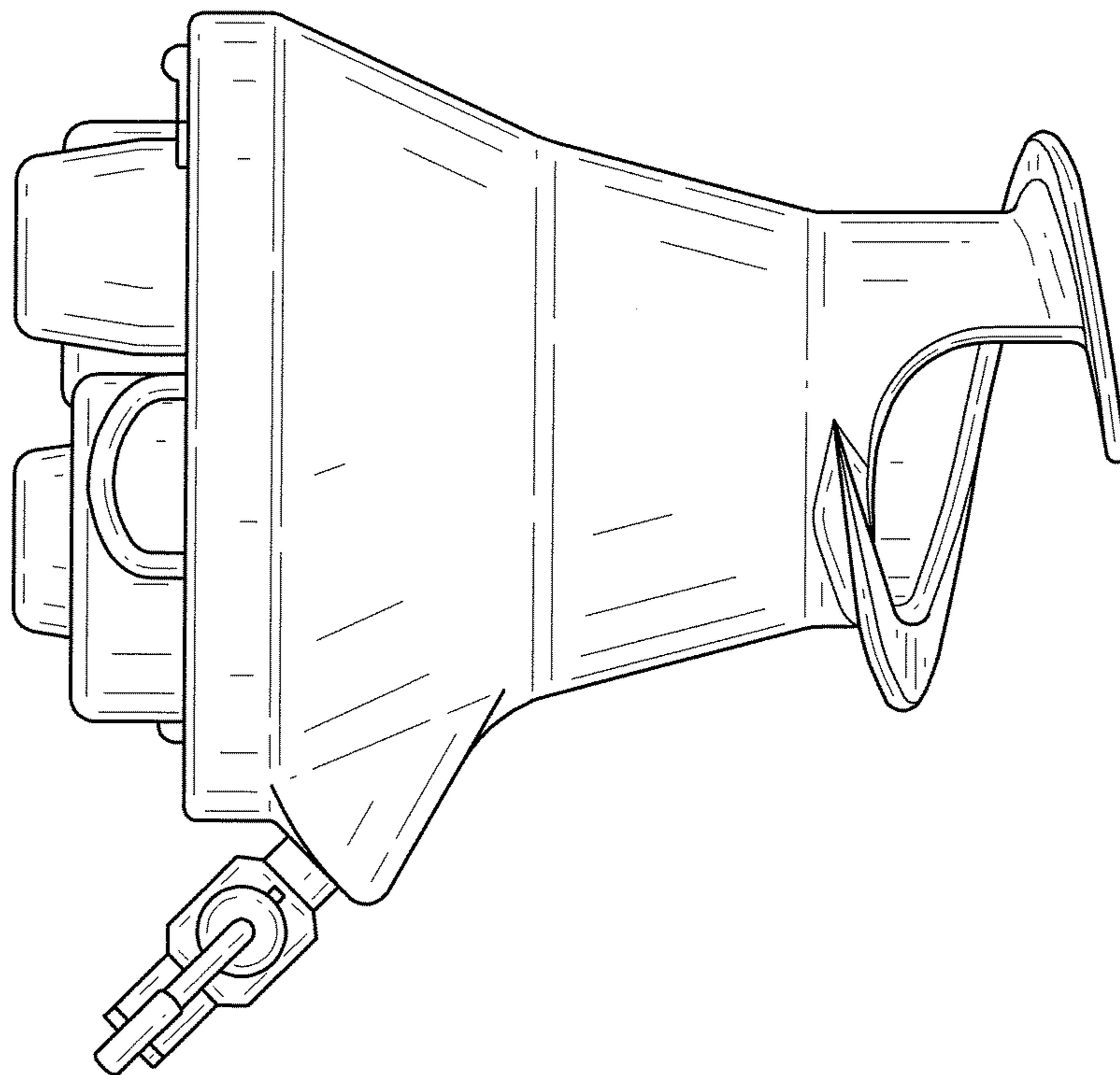


FIG.5

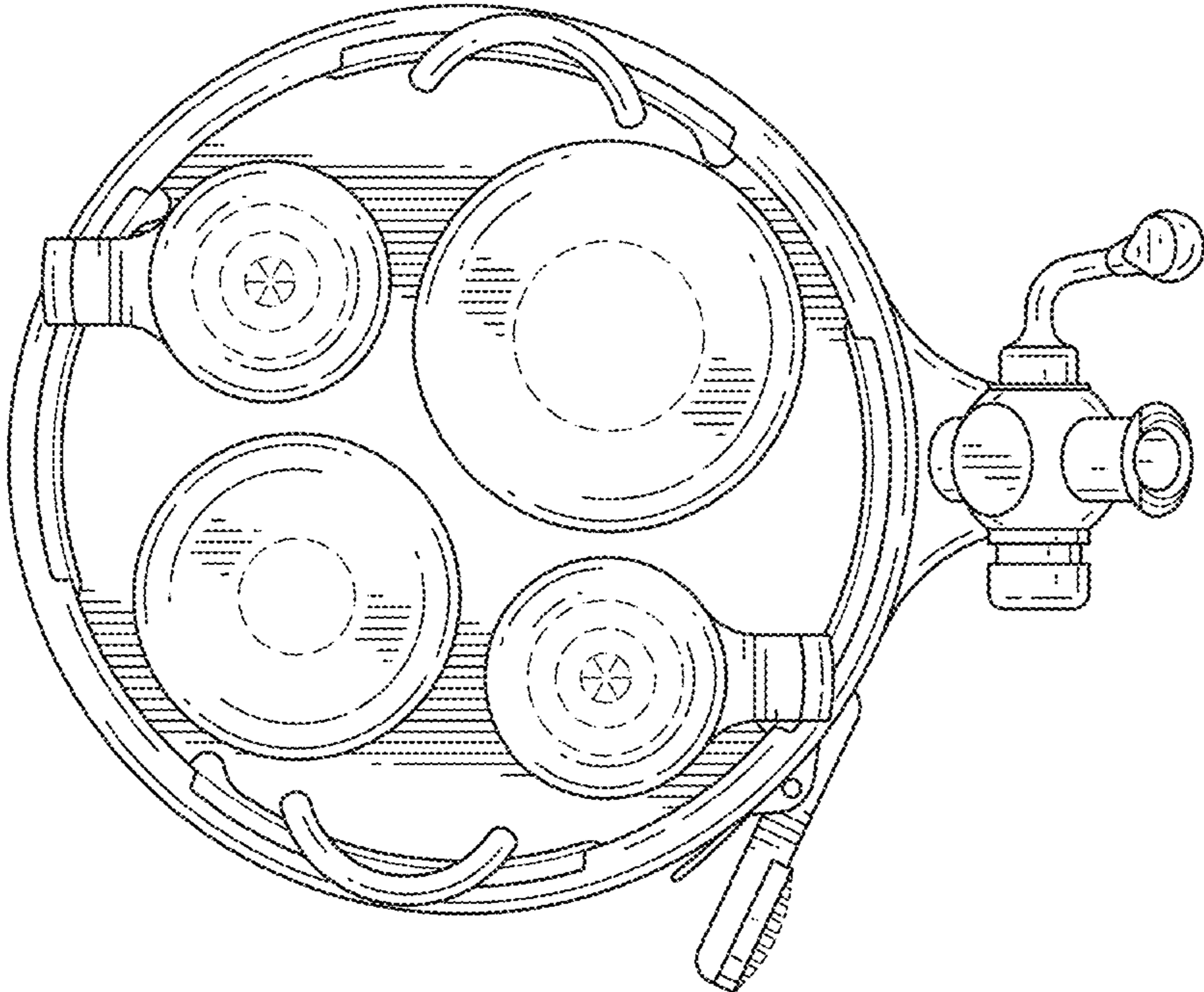


FIG.6

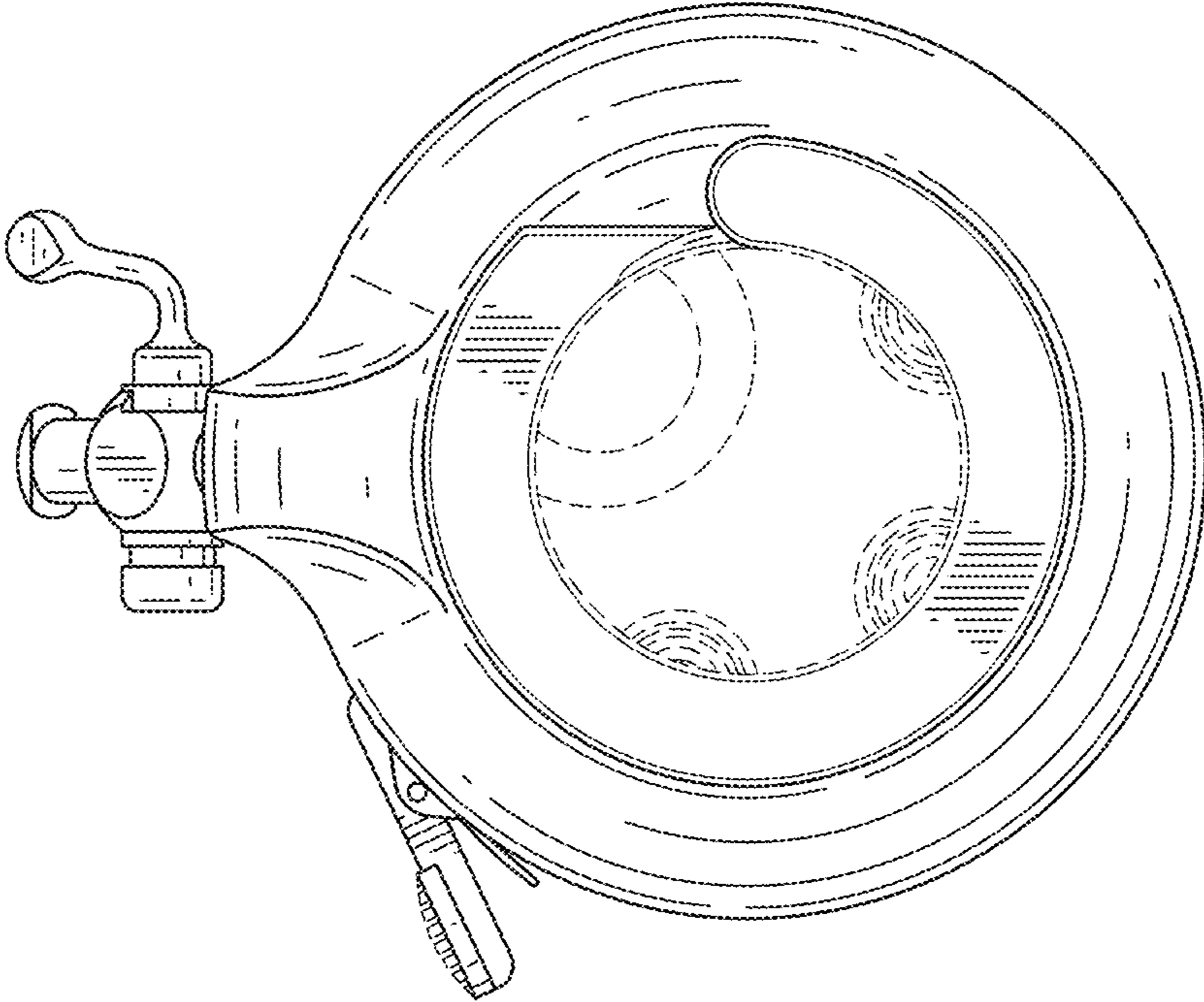


FIG.7