



US00D752744S

(12) **United States Design Patent**  
**Luo et al.**

(10) **Patent No.:** **US D752,744 S**  
(45) **Date of Patent:** **\*\* Mar. 29, 2016**

(54) **VIDEO LARYNGOSCOPE**

(71) Applicant: **Zhejiang Youyi Medical Apparatus Co., Ltd.**, Taizhou, Zhejiang (CN)

(72) Inventors: **Heguo Luo**, Zhejiang (CN); **Fushang Xue**, Zhejiang (CN); **Weidong Wang**, Zhejiang (CN); **Yuesheng Li**, Zhejiang (CN); **Jiazhi Zhang**, Zhejiang (CN); **Fubin Zhu**, Zhejiang (CN); **Benquan Yang**, Zhejiang (CN); **Aihua Chen**, Zhejiang (CN)

(73) Assignee: **ZHEJIANG YOUYI MEDICAL APPARATUS CO., LTD.**, Zhouyantou, Fuying, Xianju, Taizhou, Zhejiang (CN)

(\*\*) Term: **14 Years**

(21) Appl. No.: **29/485,091**

(22) Filed: **Mar. 14, 2014**

(51) **LOC (10) Cl.** ..... **24-02**

(52) **U.S. Cl.**  
USPC ..... **D24/138**

(58) **Field of Classification Search**  
USPC ..... D24/137, 138, 140, 158, 160; 600/185, 600/188, 196, 184, 102, 170  
See application file for complete search history.

(56) **References Cited**

**U.S. PATENT DOCUMENTS**

5,373,317	A *	12/1994	Salvati et al.	.....	348/65
D358,471	S *	5/1995	Cope et al.	.....	D24/137
D708,326	S *	7/2014	Wang et al.	.....	D24/137
D708,327	S *	7/2014	Wang et al.	.....	D24/137
8,840,544	B2 *	9/2014	Hosaka et al.	.....	600/131
2011/0028785	A1 *	2/2011	Chen	.....	600/109

2013/0041223	A1 *	2/2013	Kato	.....	600/121
2013/0066151	A1 *	3/2013	Chen	.....	600/188
2013/0066152	A1 *	3/2013	Chen	.....	600/188
2013/0237764	A1 *	9/2013	Berglund et al.	.....	600/188
2014/0094656	A1 *	4/2014	Matsukawa et al.	.....	600/110
2014/0275766	A1 *	9/2014	Schwartz et al.	.....	600/103
2014/0336466	A1 *	11/2014	Young et al.	.....	600/186

\* cited by examiner

*Primary Examiner* — Garth Rademaker

*Assistant Examiner* — Samantha Q Lawrence

(74) *Attorney, Agent, or Firm* — Global IP Services; Tianhua Gu

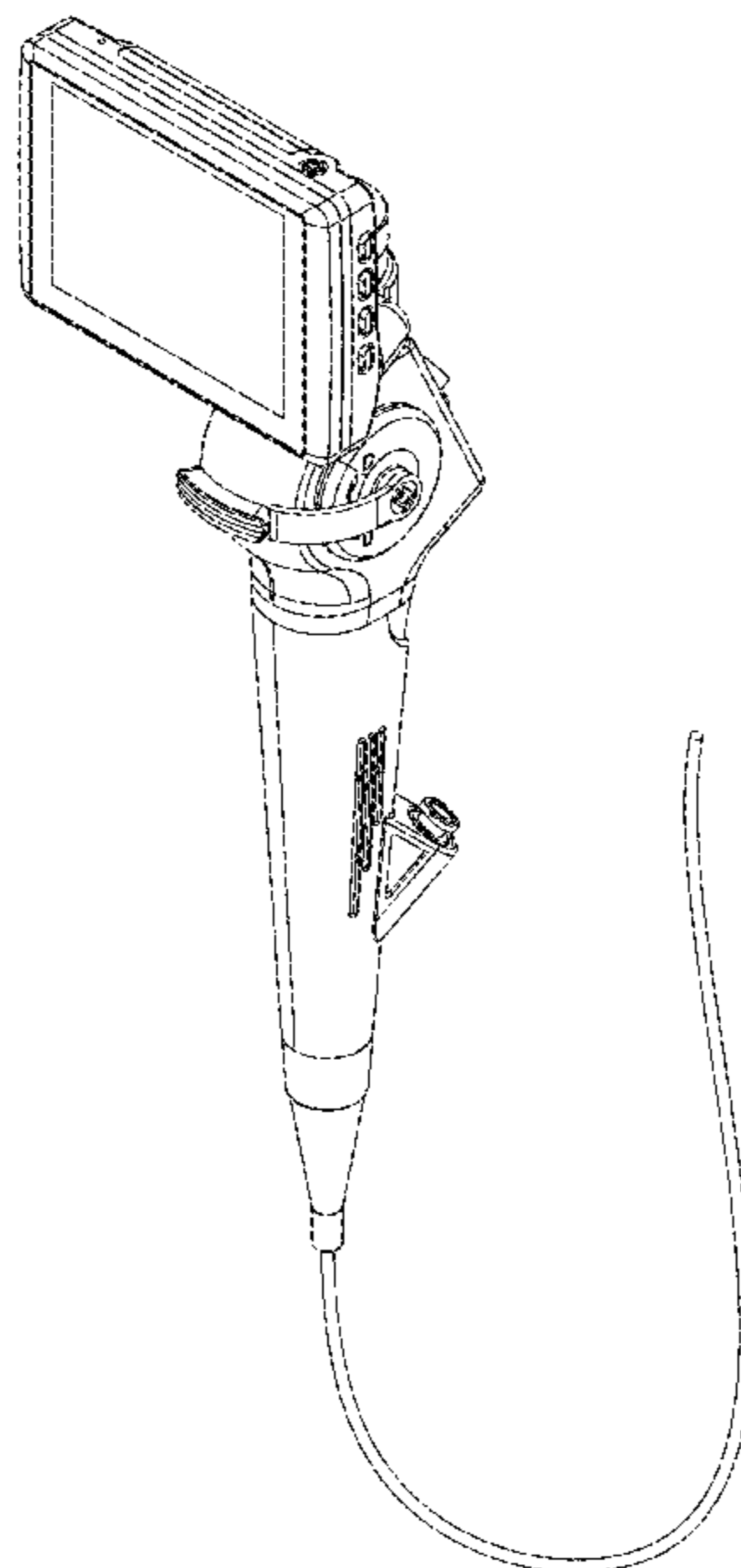
(57) **CLAIM**

The ornamental design for a video laryngoscope, as shown and described.

**DESCRIPTION**

FIG. 1 is a front elevational view of a video laryngoscope showing our new design;  
 FIG. 2 is an enlarged front elevational view of the top portion of FIG. 1;  
 FIG. 3 is a rear elevational view of the video laryngoscope;  
 FIG. 4 is an enlarged elevational view of the top portion of FIG. 3;  
 FIG. 5 is a left side view of the video laryngoscope;  
 FIG. 6 is a right side view of the video laryngoscope;  
 FIG. 7 is an enlarged view of the top portion of FIG. 5;  
 FIG. 8 is an enlarged view of the top portion of FIG. 6;  
 FIG. 9 is a top plan view of the video laryngoscope;  
 FIG. 10 is a bottom plan view of the video laryngoscope;  
 FIG. 11 is a front, right side perspective view of the video laryngoscope; and,  
 FIG. 12 is an enlarged view of the top portion of FIG. 11.

**1 Claim, 9 Drawing Sheets**



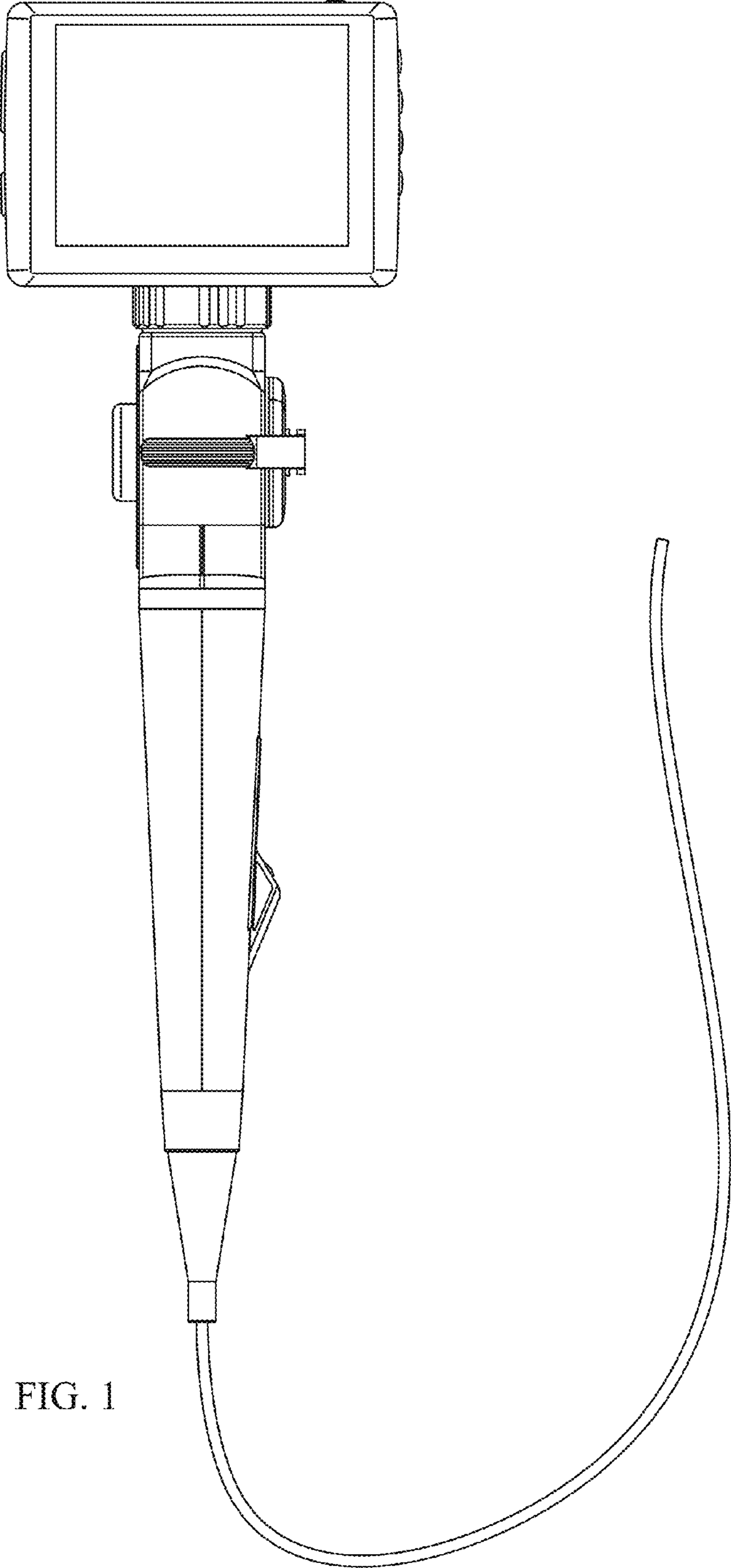


FIG. 1

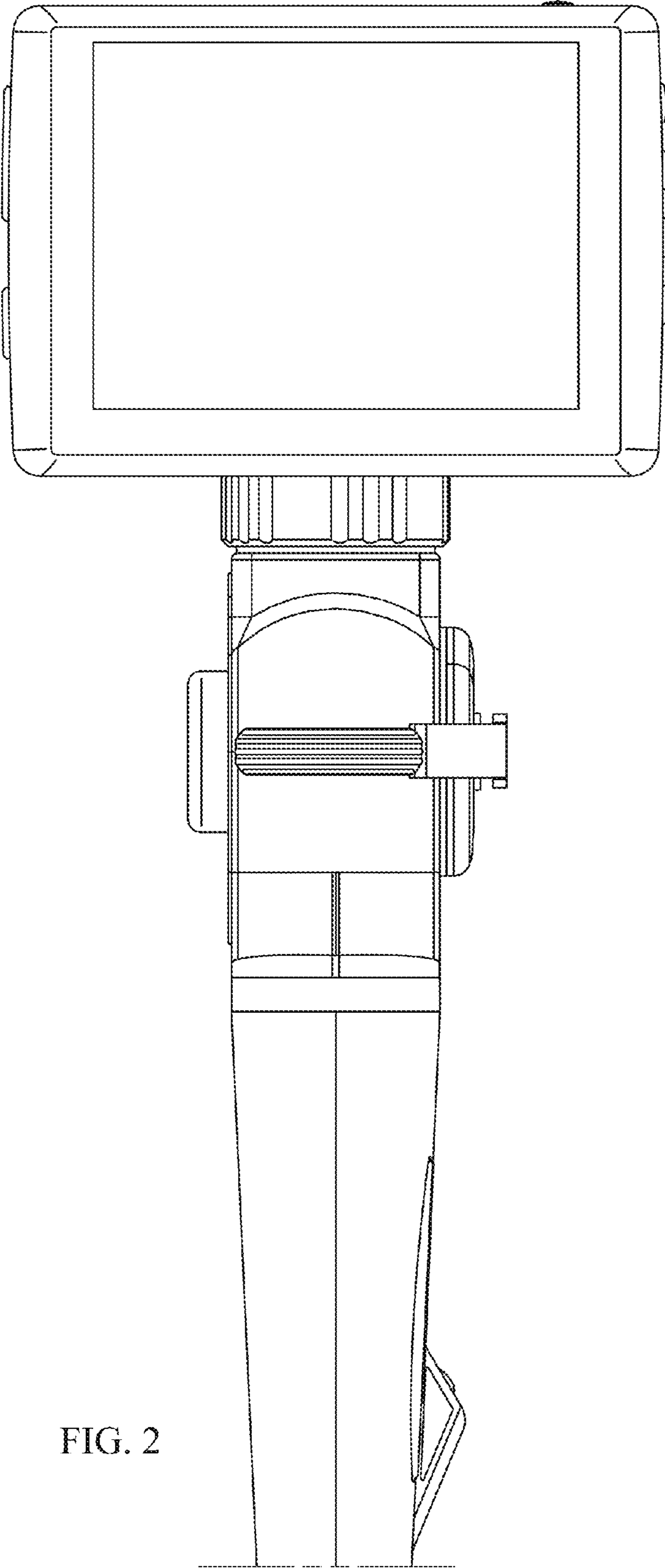


FIG. 2

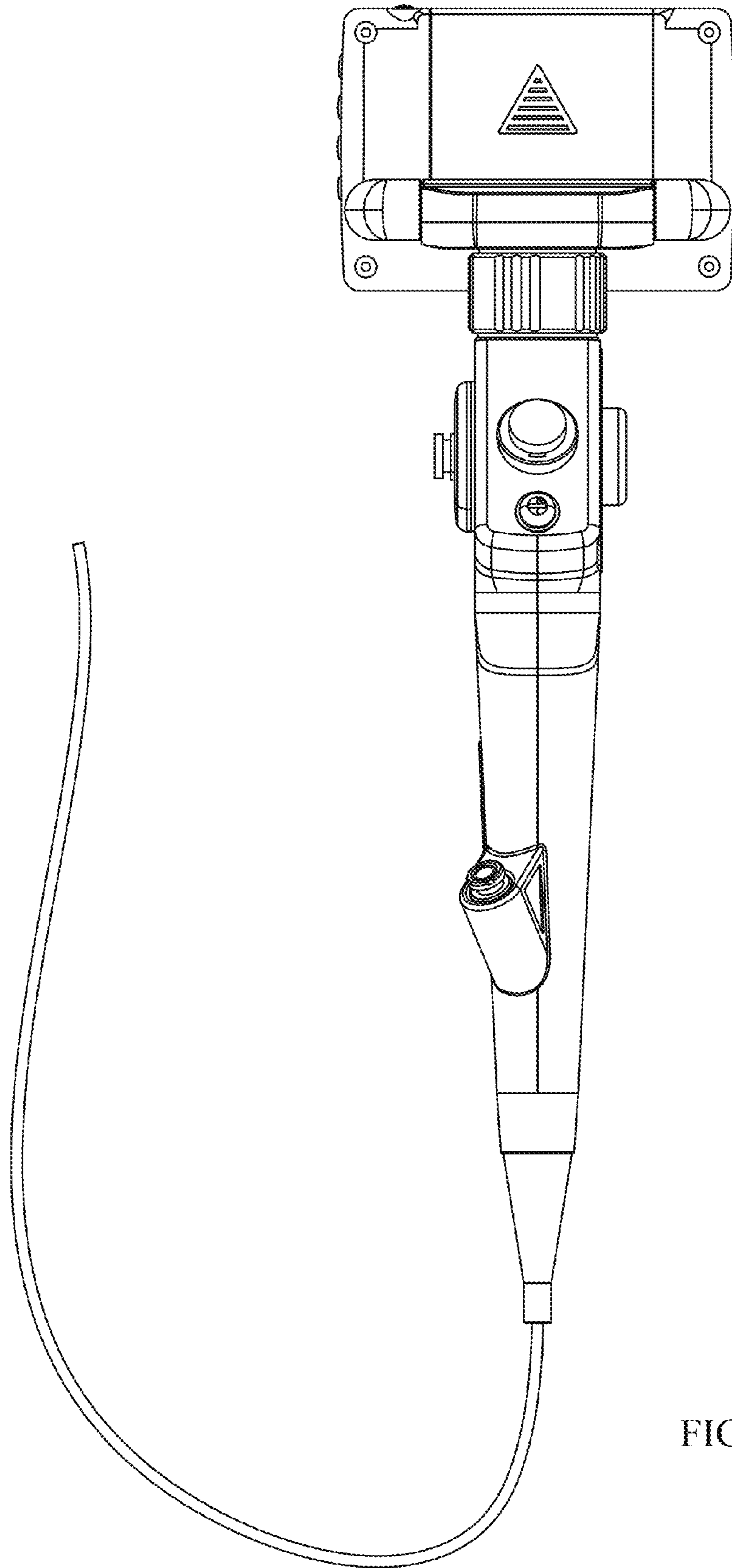


FIG. 3

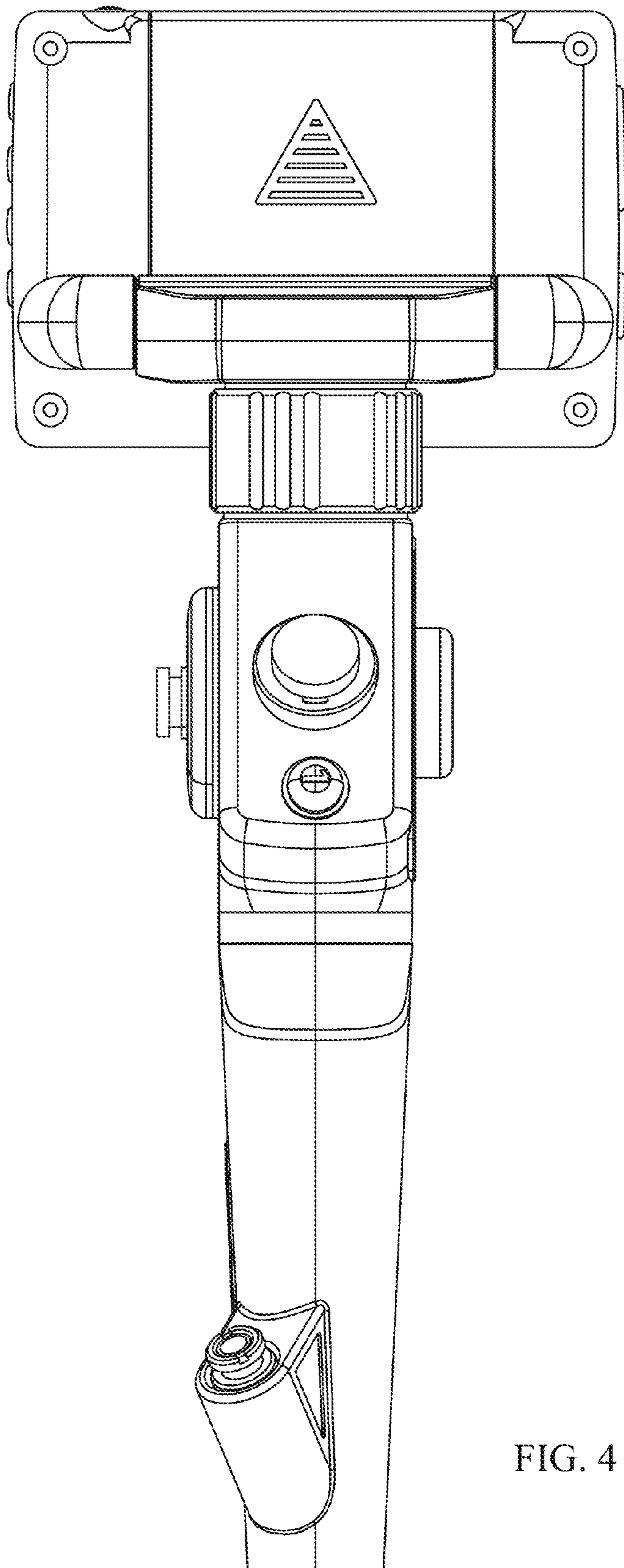


FIG. 4



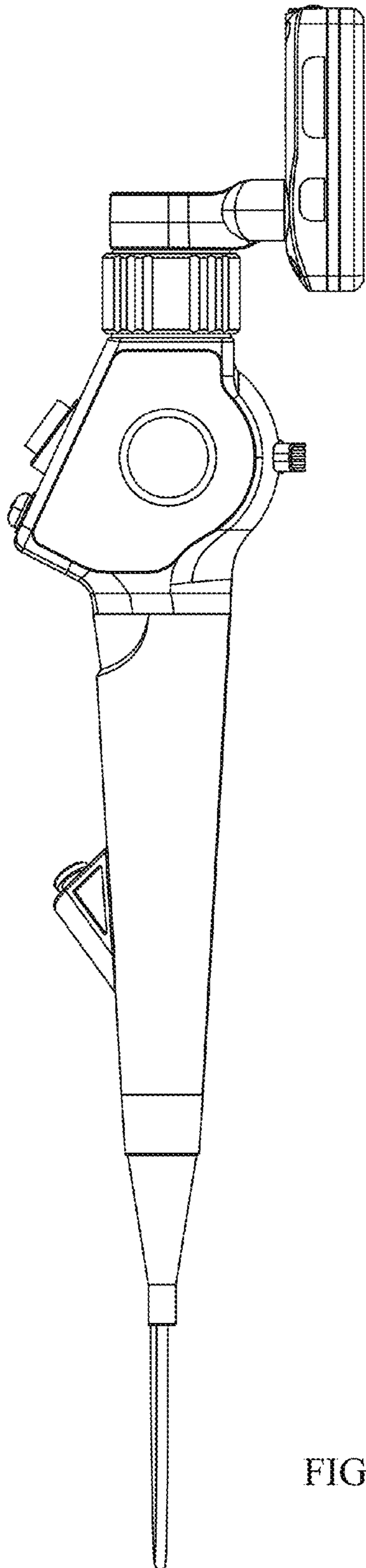


FIG. 5

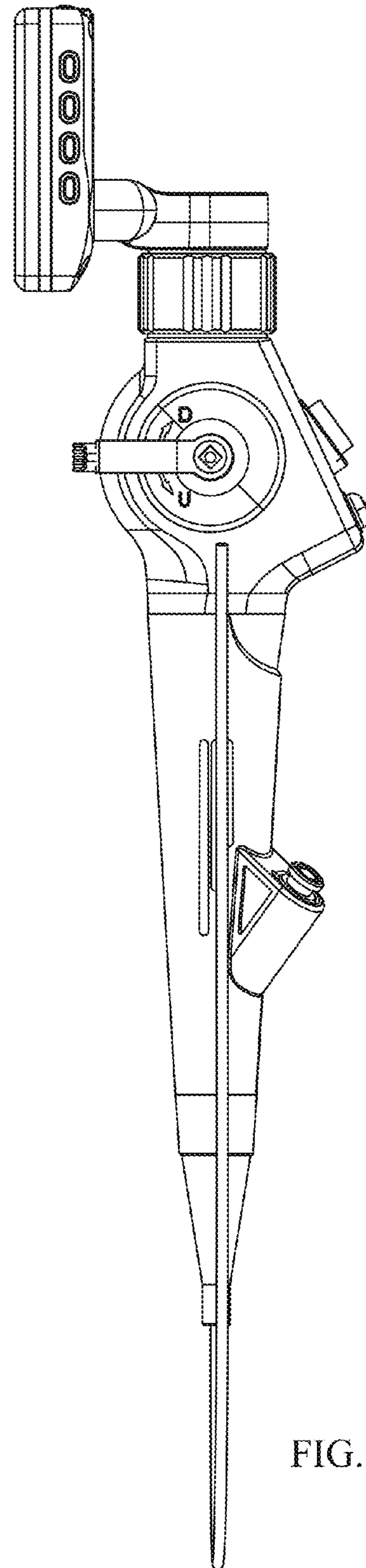


FIG. 6

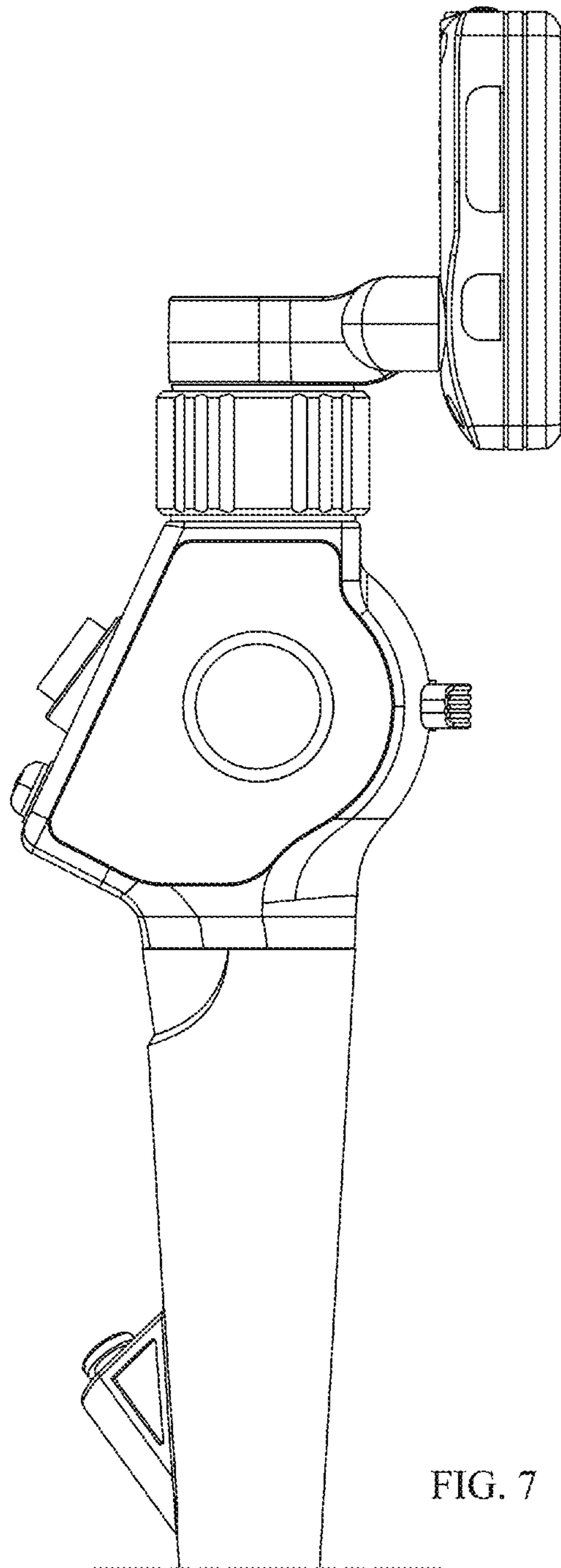


FIG. 7

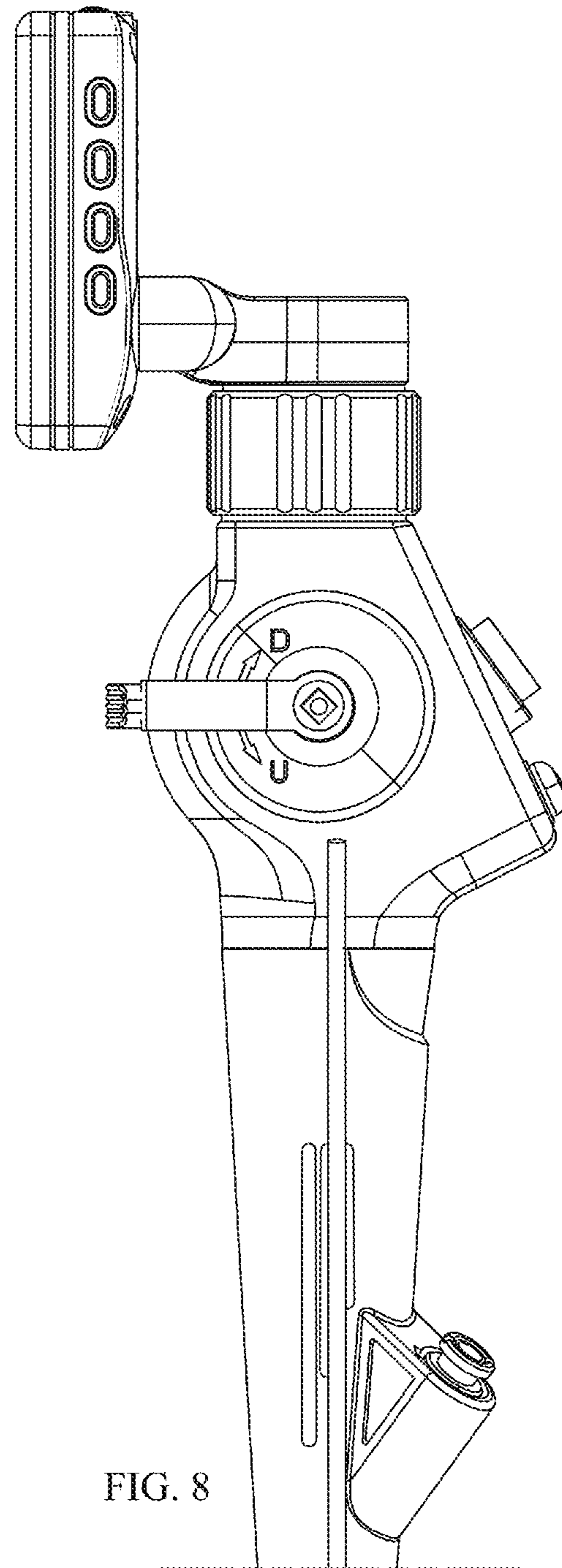


FIG. 8

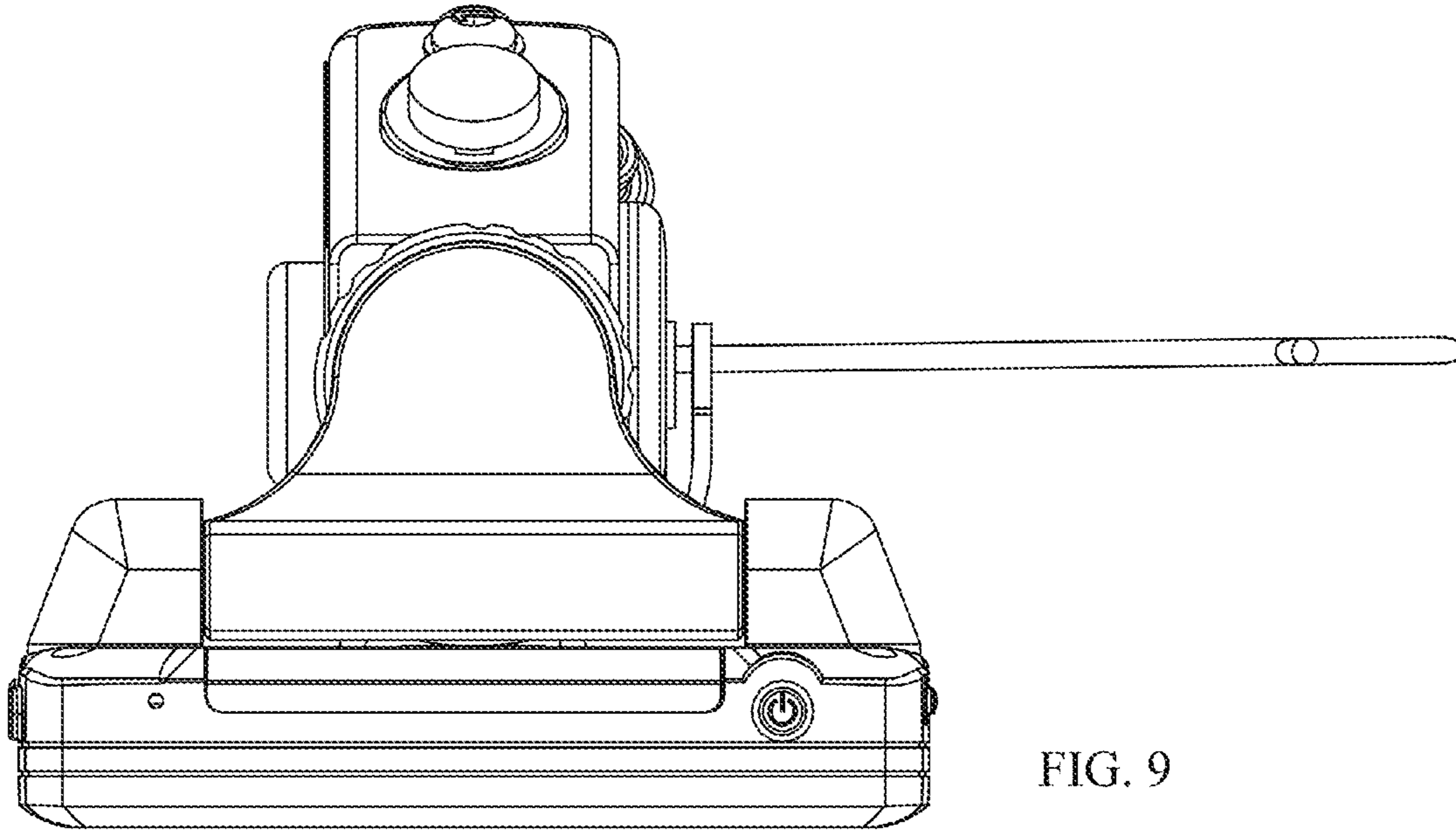


FIG. 9

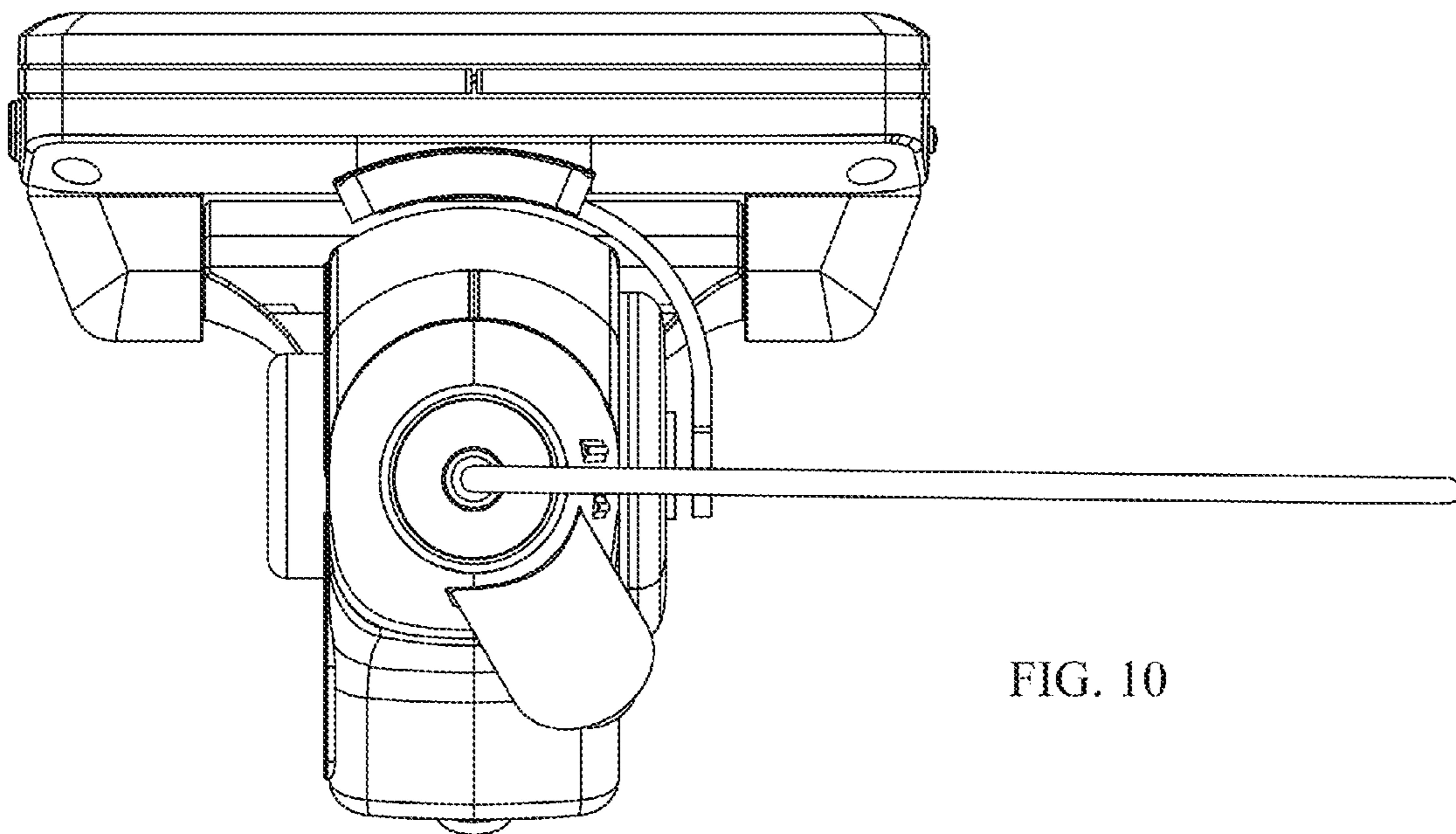


FIG. 10



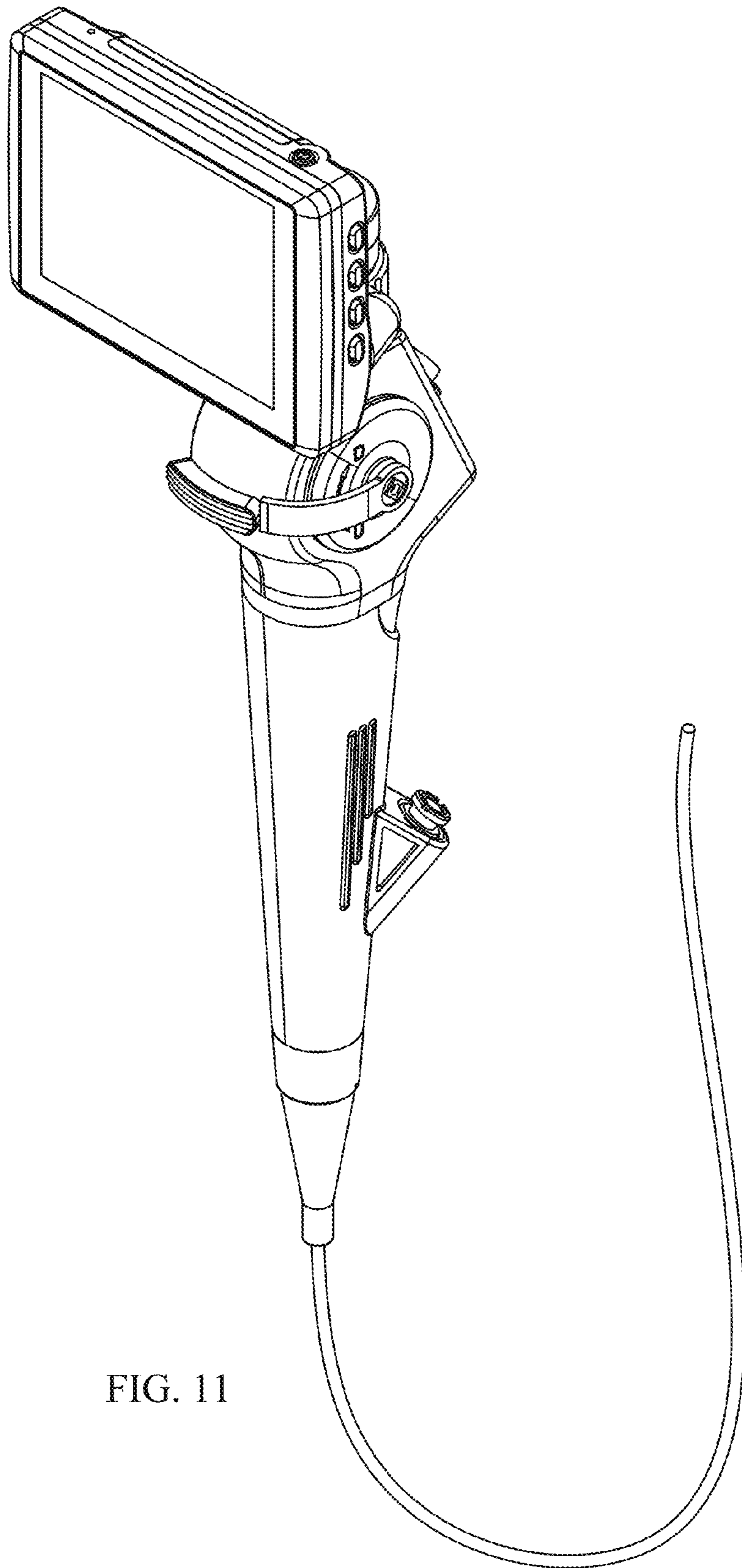


FIG. 11

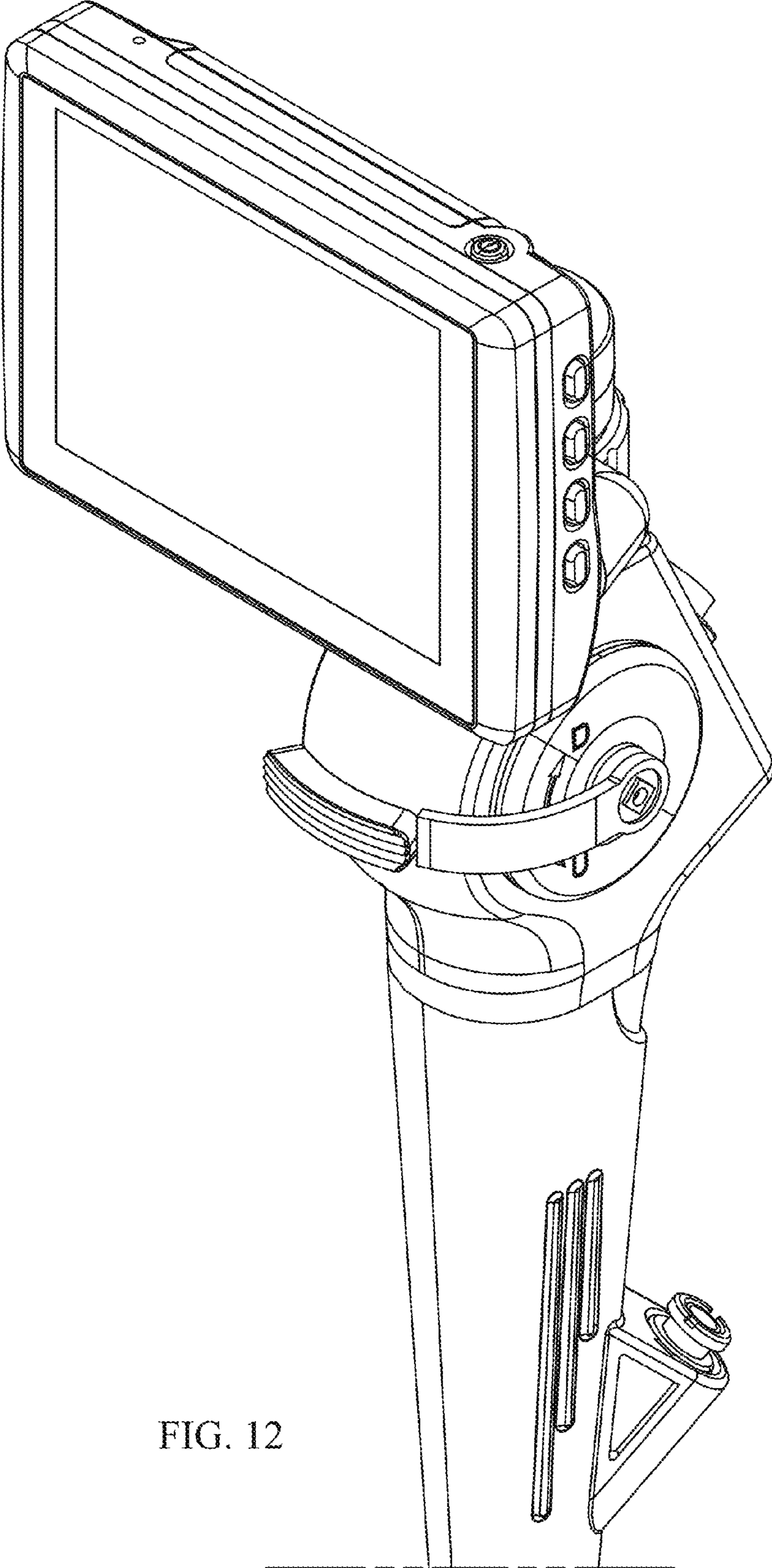


FIG. 12