



US00D752743S

(12) **United States Design Patent**  
**Oberg et al.**

(10) **Patent No.:** **US D752,743 S**  
(45) **Date of Patent:** **\*\* Mar. 29, 2016**

- (54) **NEEDLE GUIDE**
- (71) Applicant: **C. R. Bard, Inc.**, Murray Hill, NJ (US)
- (72) Inventors: **Kevin M. Oberg**, Clinton, MS (US);  
**Jason R. Stats**, Layton, UT (US); **Amir Orome**, Sandy, UT (US); **Jon B. Newman**, Centerville, UT (US)
- (73) Assignee: **C. R. Bard, Inc.**, Murray Hill, NJ (US)
- (\*\*) Term: **14 Years**
- (21) Appl. No.: **29/493,150**
- (22) Filed: **Jun. 5, 2014**

- 4,408,611 A 10/1983 Enjoji
- 4,469,106 A 9/1984 Harui
- 4,497,325 A 2/1985 Wedel
- 4,548,210 A 10/1985 Enjoji et al.
- 4,576,175 A 3/1986 Epstein
- 4,608,989 A 9/1986 Drue

(Continued)

**FOREIGN PATENT DOCUMENTS**

- CN 3655315 \* 6/2007
- DE 2942405 A1 4/1981

(Continued)

**OTHER PUBLICATIONS**

PCT/US2009/068828 filed Dec. 18, 2009 International Preliminary Report on Patentability dated Jun. 21, 2011.

(Continued)

**Related U.S. Application Data**

- (60) Continuation of application No. 13/886,196, filed on May 2, 2013, which is a division of application No. 12/642,456, filed on Dec. 18, 2009, now Pat. No. 8,574,160.
- (51) **LOC (10) Cl.** ..... **24-02**
- (52) **U.S. Cl.**  
USPC ..... **D24/130; D24/140**
- (58) **Field of Classification Search**  
USPC ..... D24/140, 108, 129, 130, 133, 186, 187;  
600/461, 407, 437, 459  
CPC ..... A61B 17/06061; A61B 17/0482;  
A61B 19/201; A61B 17/3403; A61M 5/3287  
See application file for complete search history.

*Primary Examiner* — Bridget L Eland  
*Assistant Examiner* — Lauren McVey  
(74) *Attorney, Agent, or Firm* — Rutan & Tucker, LLP

(57) **CLAIM**

The ornamental design for a needle guide, as shown and described.

**DESCRIPTION**

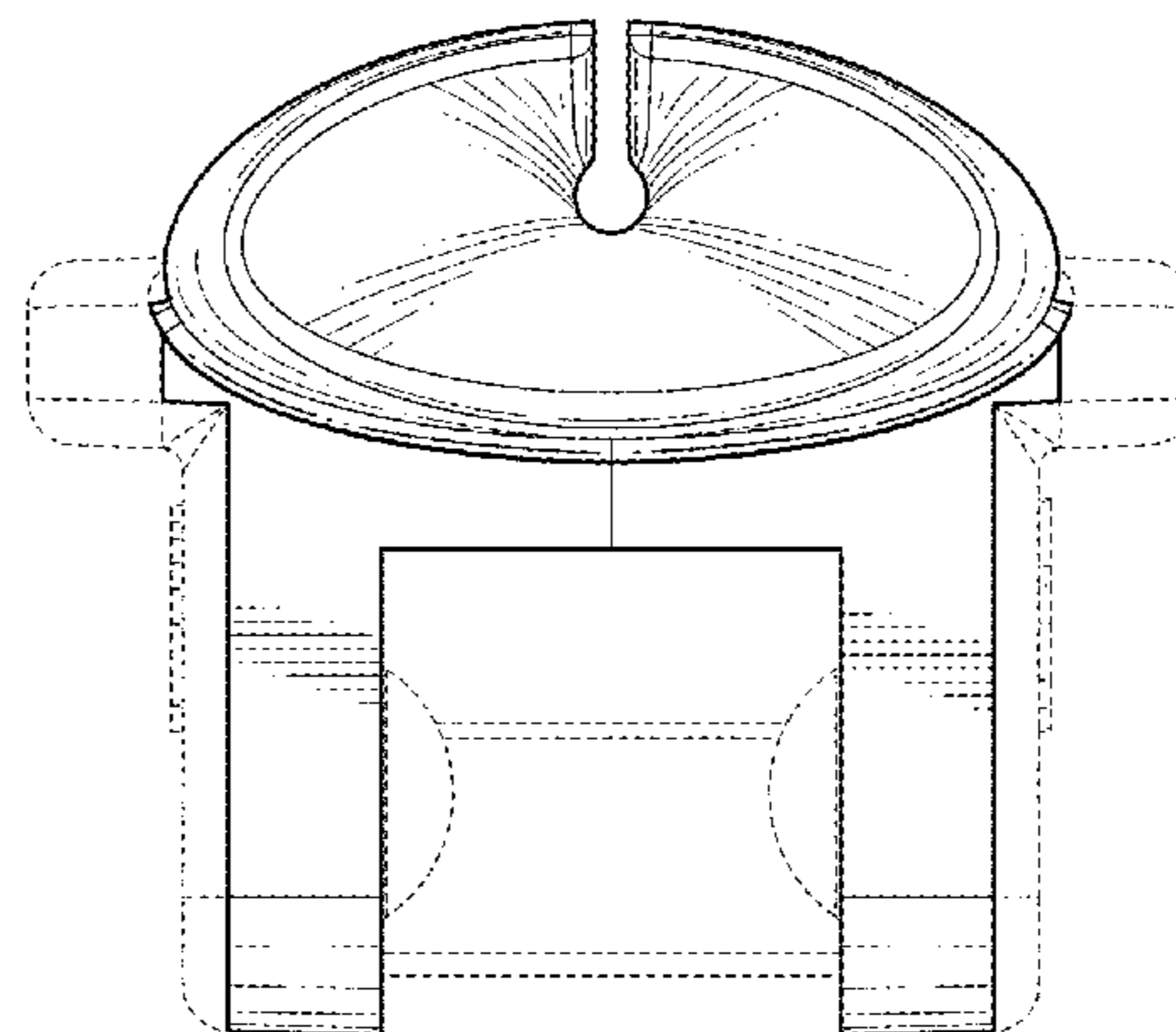
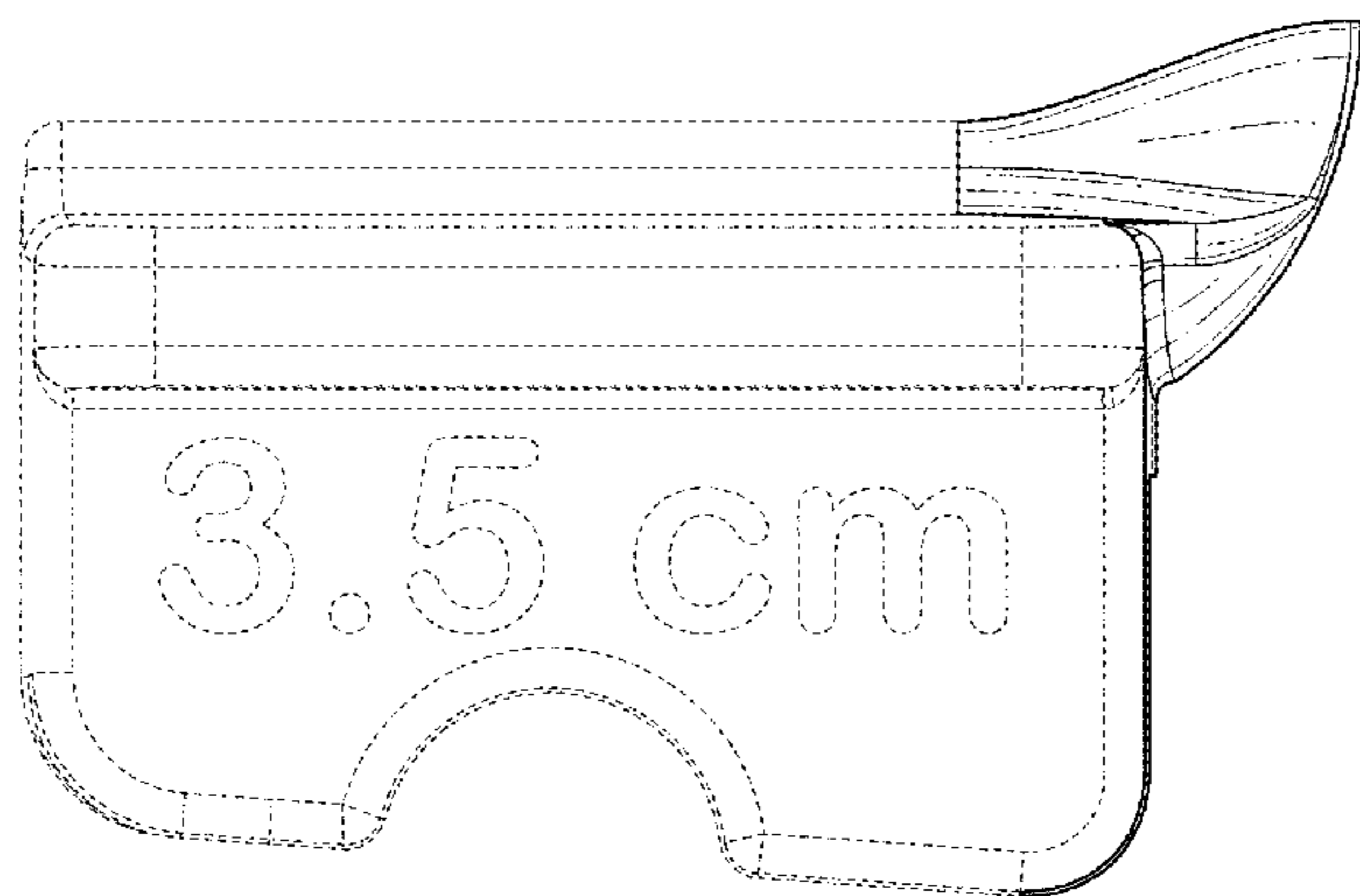
FIG. 1 is a top perspective view of a needle guide; FIG. 2 is a bottom perspective view thereof; FIG. 3 is a first side elevation view thereof; FIG. 4 is a front elevation view thereof; FIG. 5 is a second side elevation view thereof; FIG. 6 is a top plan view thereof; FIG. 7 is a rear elevation view thereof; and, FIG. 8 is a bottom plan view thereof. The broken are directed to environment; the broken lines form no part of the claimed design.

(56) **References Cited**

**U.S. PATENT DOCUMENTS**

- 4,058,114 A 11/1977 Soldner
- 4,108,165 A 8/1978 Kopp et al.
- 4,341,303 A 7/1982 Britt
- 4,346,717 A 8/1982 Haerten
- 4,363,326 A 12/1982 Kopel
- 4,402,324 A 9/1983 Lindgren et al.

**1 Claim, 5 Drawing Sheets**



(56)

References Cited

U.S. PATENT DOCUMENTS

4,635,644 A 1/1987 Yagata  
 4,662,870 A 5/1987 Augustine et al.  
 4,681,103 A 7/1987 Boner et al.  
 4,723,544 A 2/1988 Moore et al.  
 4,742,829 A 5/1988 Law et al.  
 4,838,506 A 6/1989 Cooper  
 4,877,033 A 10/1989 Seitz, Jr.  
 4,883,059 A 11/1989 Stedman et al.  
 4,898,178 A 2/1990 Wedel  
 4,899,756 A 2/1990 Sonek  
 4,911,173 A 3/1990 Terwilliger  
 5,052,396 A 10/1991 Wedel et al.  
 5,076,279 A 12/1991 Arenson et al.  
 5,100,387 A 3/1992 Ng  
 5,138,748 A 8/1992 Welles  
 5,235,987 A 8/1993 Wolfe  
 5,265,614 A 11/1993 Hayakawa et al.  
 5,280,427 A 1/1994 Magnusson et al.  
 5,427,108 A 6/1995 Bollinger  
 D362,064 S \* 9/1995 Smick ..... D24/130  
 5,494,039 A 2/1996 Onik et al.  
 5,623,931 A 4/1997 Wung et al.  
 5,758,650 A 6/1998 Miller et al.  
 D399,971 S \* 10/1998 Scherer ..... D24/130  
 5,911,707 A 6/1999 Wolvek et al.  
 D412,032 S 7/1999 Mikula-Curtis et al.  
 5,924,992 A 7/1999 Park et al.  
 5,941,889 A 8/1999 Cermak  
 6,050,954 A 4/2000 Mittermeier  
 D424,693 S 5/2000 Pruter  
 6,083,169 A 7/2000 Hansen  
 6,095,981 A 8/2000 McGahan  
 D434,850 S \* 12/2000 Balestracci ..... D24/112  
 6,203,499 B1 3/2001 Imling et al.  
 6,283,942 B1 9/2001 Staehlin et al.  
 6,296,614 B1 10/2001 Pruter  
 6,361,499 B1 3/2002 Bates et al.  
 6,368,280 B1 4/2002 Cermak et al.  
 6,379,307 B1 4/2002 Filly et al.  
 6,425,871 B1 7/2002 Jaggi  
 6,475,152 B1 11/2002 Kelly, Jr. et al.  
 6,485,426 B2 11/2002 Sandhu  
 6,612,990 B1 9/2003 Pruter  
 6,695,786 B2 2/2004 Wang et al.  
 6,743,177 B2 6/2004 Ito et al.  
 6,758,817 B1 7/2004 Pruter et al.  
 6,814,704 B2 11/2004 Weilandt  
 6,840,954 B2 1/2005 Dietz et al.  
 6,884,219 B1 4/2005 Pruter  
 7,022,082 B2 4/2006 Sonek  
 7,087,024 B1 8/2006 Pruter  
 7,322,990 B1 1/2008 Mark et al.  
 7,351,205 B2 4/2008 Szczech et al.  
 7,452,331 B1 11/2008 Pruter  
 7,588,541 B2 9/2009 Floyd et al.  
 7,635,336 B1 12/2009 Pruter  
 7,670,294 B2 3/2010 Kisen et al.  
 7,691,066 B2 4/2010 Kosaku  
 D625,802 S \* 10/2010 Choi ..... D24/133  
 D625,805 S \* 10/2010 Hereford ..... D24/108  
 7,837,627 B1 11/2010 Pruter  
 D629,898 S \* 12/2010 Bigelow ..... D24/128  
 D630,731 S 1/2011 Schmutzer et al.  
 7,909,815 B2 3/2011 Whitmore, III et al.  
 7,976,469 B2 7/2011 Bonde et al.  
 D649,245 S \* 11/2011 Klebs ..... D24/140  
 8,073,529 B2 12/2011 Cermak et al.  
 8,075,495 B2 12/2011 Andreyko et al.  
 8,118,743 B2 2/2012 Park et al.  
 D655,813 S 3/2012 Row et al.  
 8,137,281 B2 3/2012 Huang et al.  
 D659,825 S 5/2012 Dillard, III  
 D672,460 S 12/2012 Baid  
 8,430,889 B2 4/2013 Zeng et al.  
 D683,019 S \* 5/2013 Shahidi Bonjar ..... D24/133

8,496,593 B2 7/2013 Park et al.  
 8,523,824 B2 9/2013 Teirstein et al.  
 8,641,620 B2 2/2014 Lasser et al.  
 8,647,280 B2 2/2014 Ooishi et al.  
 8,696,583 B2 4/2014 Ohgishi et al.  
 8,696,585 B2 4/2014 Addison et al.  
 8,708,916 B2 4/2014 Okuno  
 8,740,800 B2 6/2014 Wakabayashi et al.  
 8,747,324 B1 6/2014 Pruter et al.  
 D710,995 S \* 8/2014 Shirley ..... D24/130  
 8,795,183 B2 8/2014 Siebrecht et al.  
 8,808,186 B2 8/2014 Fruland et al.  
 D727,495 S 4/2015 Bown et al.  
 2002/0123689 A1 9/2002 Furia  
 2002/0133079 A1 9/2002 Sandhu  
 2003/0144627 A1 7/2003 Woehr et al.  
 2003/0195425 A1 10/2003 Ito  
 2004/0133111 A1 7/2004 Szczech et al.  
 2005/0059891 A1 3/2005 Kosaku  
 2005/0113816 A1 5/2005 Whitmore et al.  
 2005/0143753 A1 6/2005 Whitmore et al.  
 2005/0267373 A1 12/2005 Lee  
 2006/0129046 A1 6/2006 Stevens et al.  
 2006/0150876 A1 7/2006 Green et al.  
 2006/0241477 A1 10/2006 Sasady et al.  
 2007/0016781 A1 1/2007 Asokan et al.  
 2007/0038113 A1 2/2007 Oonuki et al.  
 2007/0073155 A1 3/2007 Park et al.  
 2007/0078346 A1 4/2007 Park et al.  
 2007/0112272 A1 5/2007 Park et al.  
 2007/0167817 A1 7/2007 Huang et al.  
 2007/0276241 A1 11/2007 Park et al.  
 2007/0276253 A1 11/2007 Park et al.  
 2007/0282205 A1 12/2007 Furia  
 2008/0033454 A1 2/2008 Lukoschek et al.  
 2008/0300491 A1 12/2008 Bonde et al.  
 2009/0143684 A1 6/2009 Cermak et al.  
 2009/0171219 A1 7/2009 Uchibori  
 2009/0247876 A1 10/2009 Cannon, Jr. et al.  
 2009/0266957 A1 10/2009 Cermak  
 2009/0270722 A1 10/2009 Floyd et al.  
 2009/0275833 A1 11/2009 Ikeda et al.  
 2010/0041990 A1 2/2010 Schlitt et al.  
 2010/0081920 A1 4/2010 Whitmore, III et al.  
 2010/0106056 A1 4/2010 Norris  
 2010/0160787 A1 6/2010 Gorzitze  
 2010/0228131 A1 9/2010 Oonuki et al.  
 2010/0247513 A1 9/2010 Agee et al.  
 2010/0312121 A1 12/2010 Guan  
 2011/0028847 A1 2/2011 Whitmore, III et al.  
 2012/0165679 A1 6/2012 Orome et al.  
 2012/0330159 A1 12/2012 Orome et al.  
 2013/0150714 A1 6/2013 Howlett et al.  
 2013/0245452 A1 9/2013 Gorzitze  
 2015/0112200 A1 \* 4/2015 Oberg ..... A61B 8/4444  
 600/461

FOREIGN PATENT DOCUMENTS

EP 1709919 A1 10/2006  
 JP 01097440 A 4/1989  
 JP 03173542 A 7/1991  
 JP 11128237 A 5/1999  
 JP 21161683 6/2001  
 JP 21340334 12/2001  
 JP 23299654 10/2003  
 JP 23334191 11/2003  
 JP D1268564 \* 4/2006  
 WO 9610958 A2 4/1996  
 WO 0019906 4/2000  
 WO 0040155 A1 7/2000  
 WO 03094701 A2 11/2003  
 WO 2004021898 A1 3/2004  
 WO 2006060657 A2 6/2006  
 WO 2007027511 A2 3/2007  
 WO 2007040172 A1 4/2007  
 WO 2007110076 A1 10/2007  
 WO 2008024515 A2 2/2008  
 WO 2009073653 A1 6/2009



(56)

**References Cited**

FOREIGN PATENT DOCUMENTS

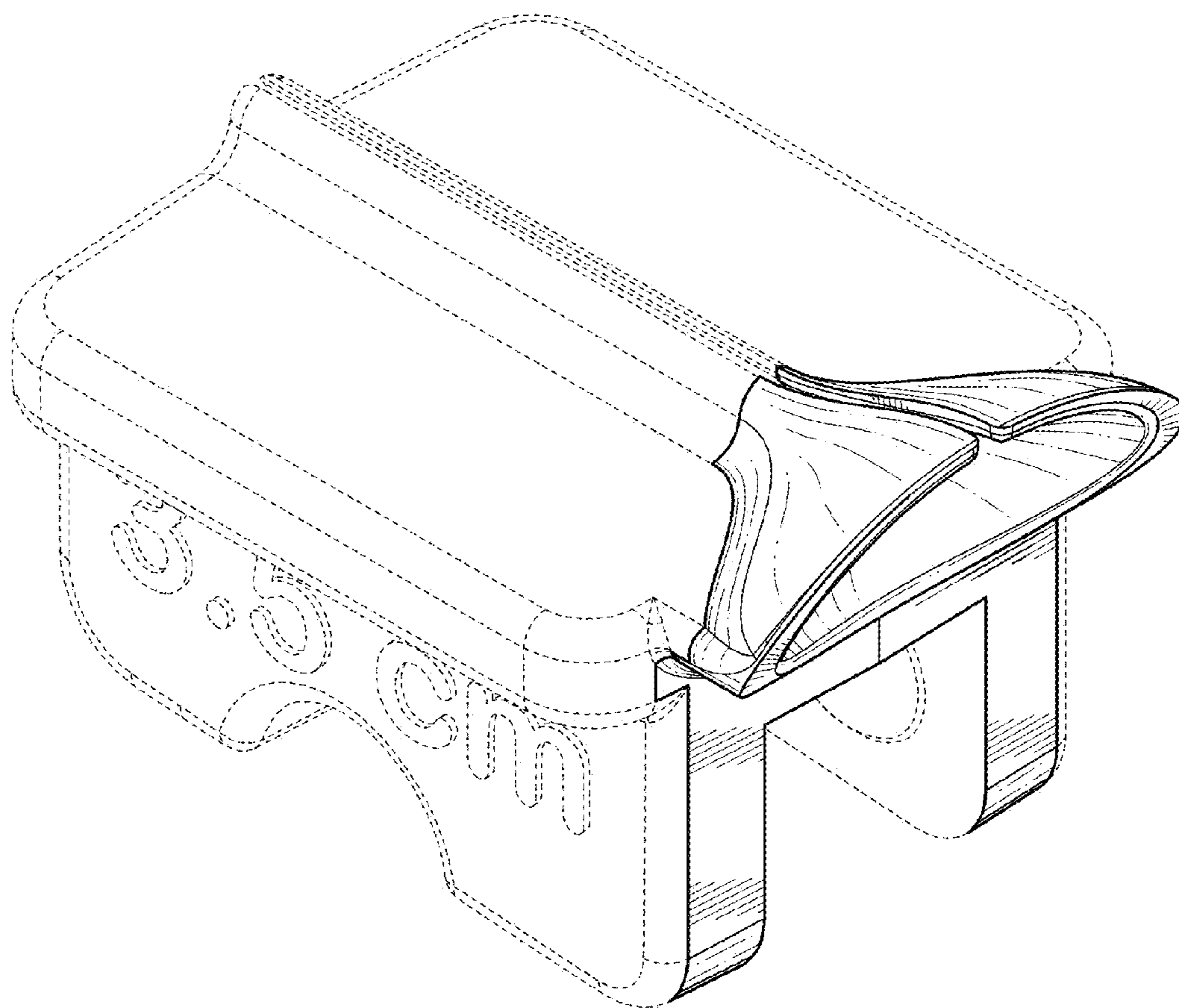
WO	2009090230	A1	7/2009
WO	2010080637	A1	7/2010
WO	2010084322	A1	7/2010
WO	2012088458		6/2012
WO	2012178109		12/2012
WO	2013054168	A2	4/2013
WO	2015100332	A1	7/2015

OTHER PUBLICATIONS

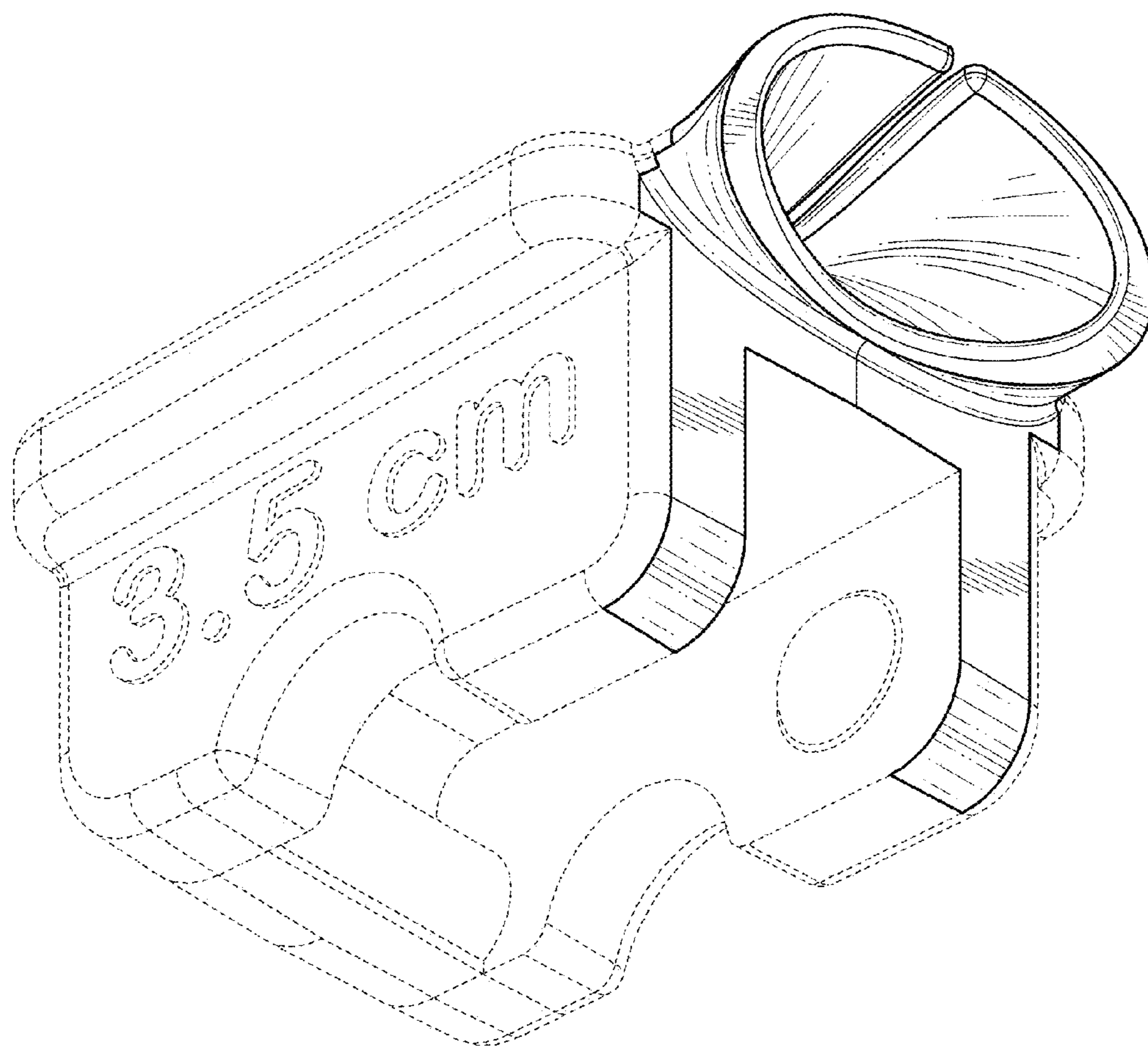
PCT/US2009/068828 filed Dec. 18, 2009 Search Report dated Mar. 3, 2010.  
 PCT/US2009/068828 filed Dec. 18, 2009 Written Opinion dated Mar. 3, 2010.  
 PCT/US2011/066940 filed Dec. 22, 2011 International Preliminary Report on Patentability dated Jul. 4, 2013.  
 PCT/US2011/066940 filed Dec. 22, 2011 International Search Report and Written Opinion dated Apr. 20, 2012.  
 PCT/US2012/043877 filed Jun. 22, 2012 International Search Report and Written Opinion dated Sep. 24, 2012.  
 U.S. Appl. No. 12/642,456, filed Dec. 18, 2009 Final Office Action dated Nov. 23, 2012.  
 U.S. Appl. No. 12/642,456, filed Dec. 18, 2009 Non-Final Office Action dated Jul. 2, 2012.  
 U.S. Appl. No. 12/642,456, filed Dec. 18, 2009 Notice of Allowance dated Jul. 12, 2013.  
 U.S. Appl. No. 13/335,587, filed Dec. 22, 2011 Non-Final Office Action dated Mar. 12, 2014.

U.S. Appl. No. 13/886,196, filed May 2, 2013 Final Office Action dated Apr. 10, 2014.  
 U.S. Appl. No. 13/886,196, filed May 2, 2013 Non-Final Office Action dated Dec. 19, 2013.  
 CN 201180067467.2 filed Aug. 13, 2013 First Office Action dated Sep. 4, 2014.  
 CN 201180067467.2 filed Aug. 13, 2013 second Office Action dated Apr. 30, 2015.  
 CN 201280030885.9 filed Dec. 23, 2013 First Office Action dated Mar. 3, 2015.  
 EP 11 850 516.3 filed Jul. 19, 2013 Extended European Search Report dated Mar. 4, 2015.  
 EP 12 803 493.1 filed Jan. 15, 2014 Extended European Search Report dated Mar. 5, 2015.  
 PCT/US2014/072168 filed Dec. 23, 2014 International Search Report and Written Opinion dated Apr. 16, 2015.  
 U.S. Appl. No. 13/335,587, filed Dec. 22, 2011 Final Office Action dated Jul. 28, 2014.  
 U.S. Appl. No. 13/335,587, filed Dec. 22, 2011 Final Office Action dated Jul. 8, 2015.  
 U.S. Appl. No. 13/335,587, filed Dec. 22, 2011 Non-Final Office Action dated Feb. 2, 2015.  
 U.S. Appl. No. 13/531,406, filed Jun. 22, 2012 Non-Final Office Action dated Jan. 9, 2015.  
 U.S. Appl. No. 13/886,196, filed May 2, 2013 Advisory Action dated Jun. 13, 2014.  
 U.S. Appl. No. 13/886,196, filed May 2, 2013 Final Office Action dated Dec. 22, 2014.  
 U.S. Appl. No. 13/886,196, filed May 2, 2013 Non-Final Office Action dated Jul. 25, 2014.

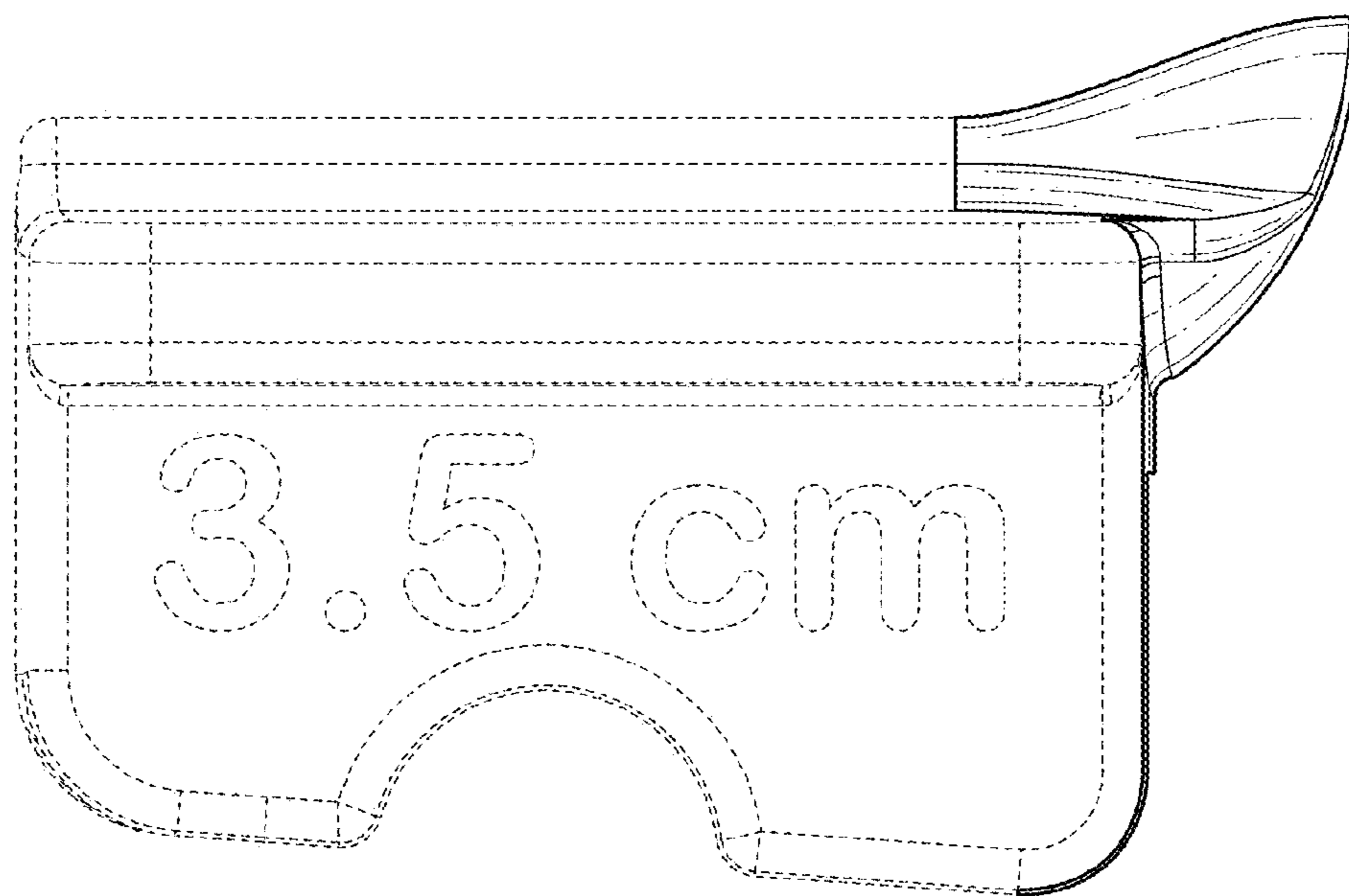
\* cited by examiner



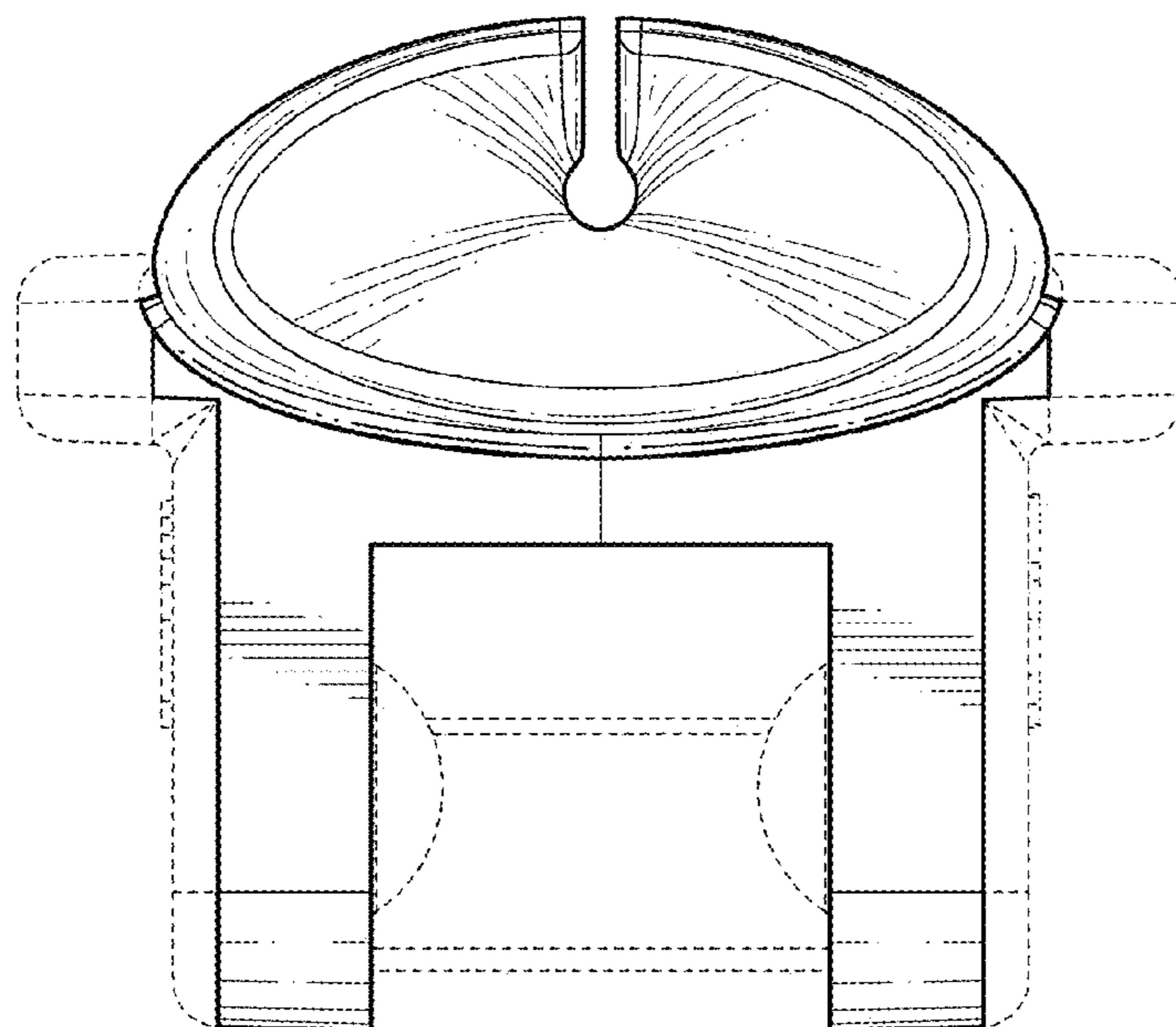
**FIG. 1**



**FIG. 2**

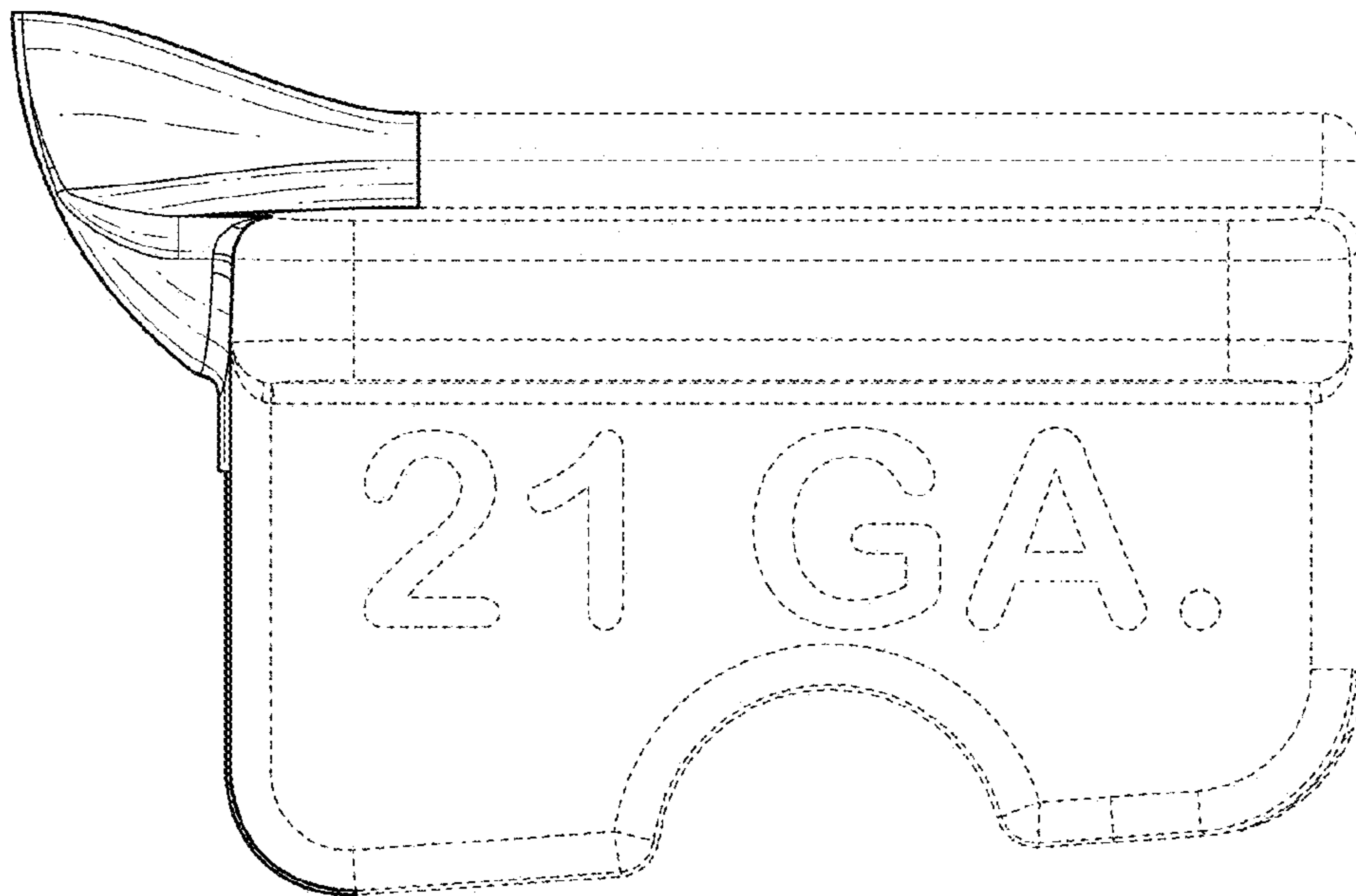


**FIG. 3**

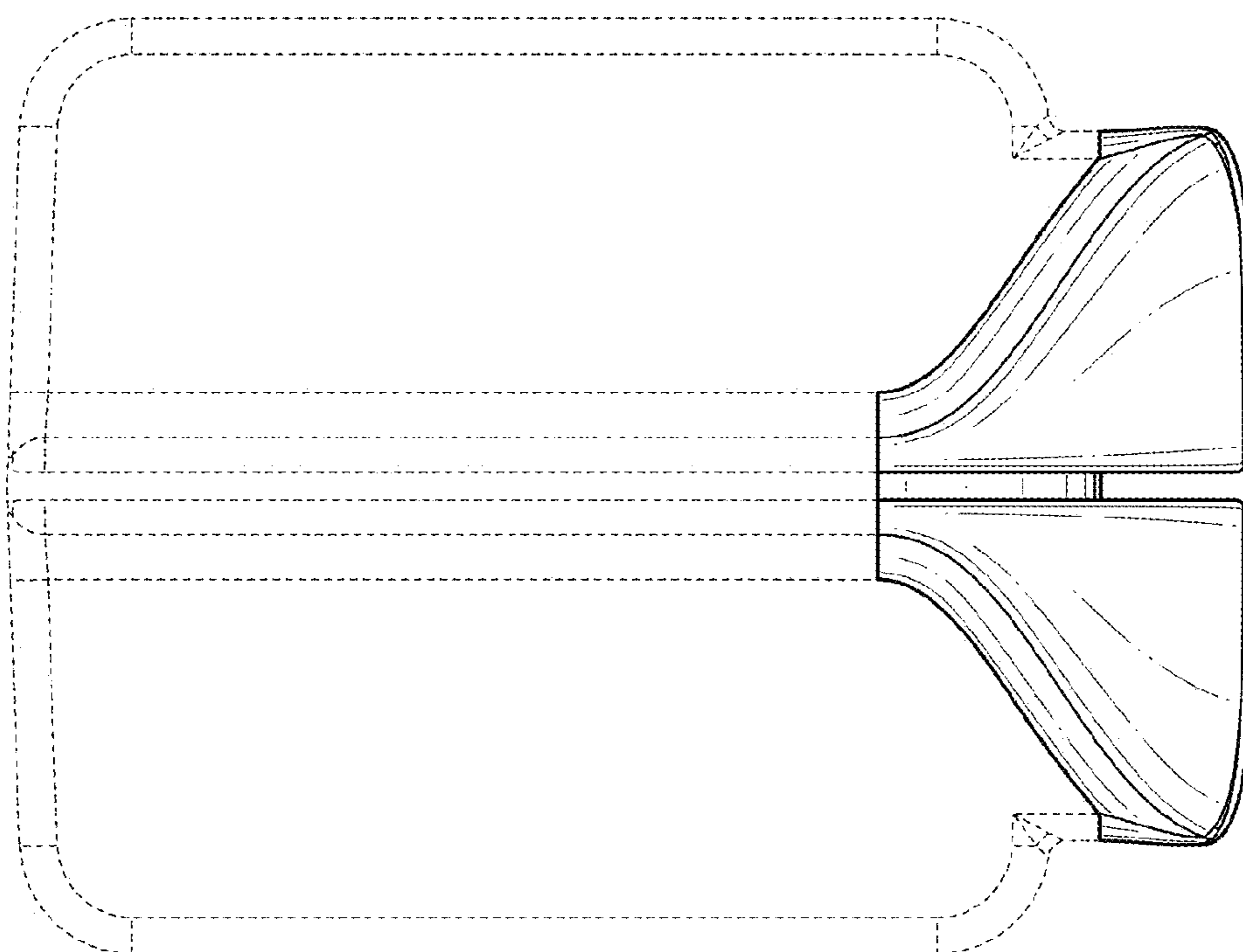


**FIG. 4**

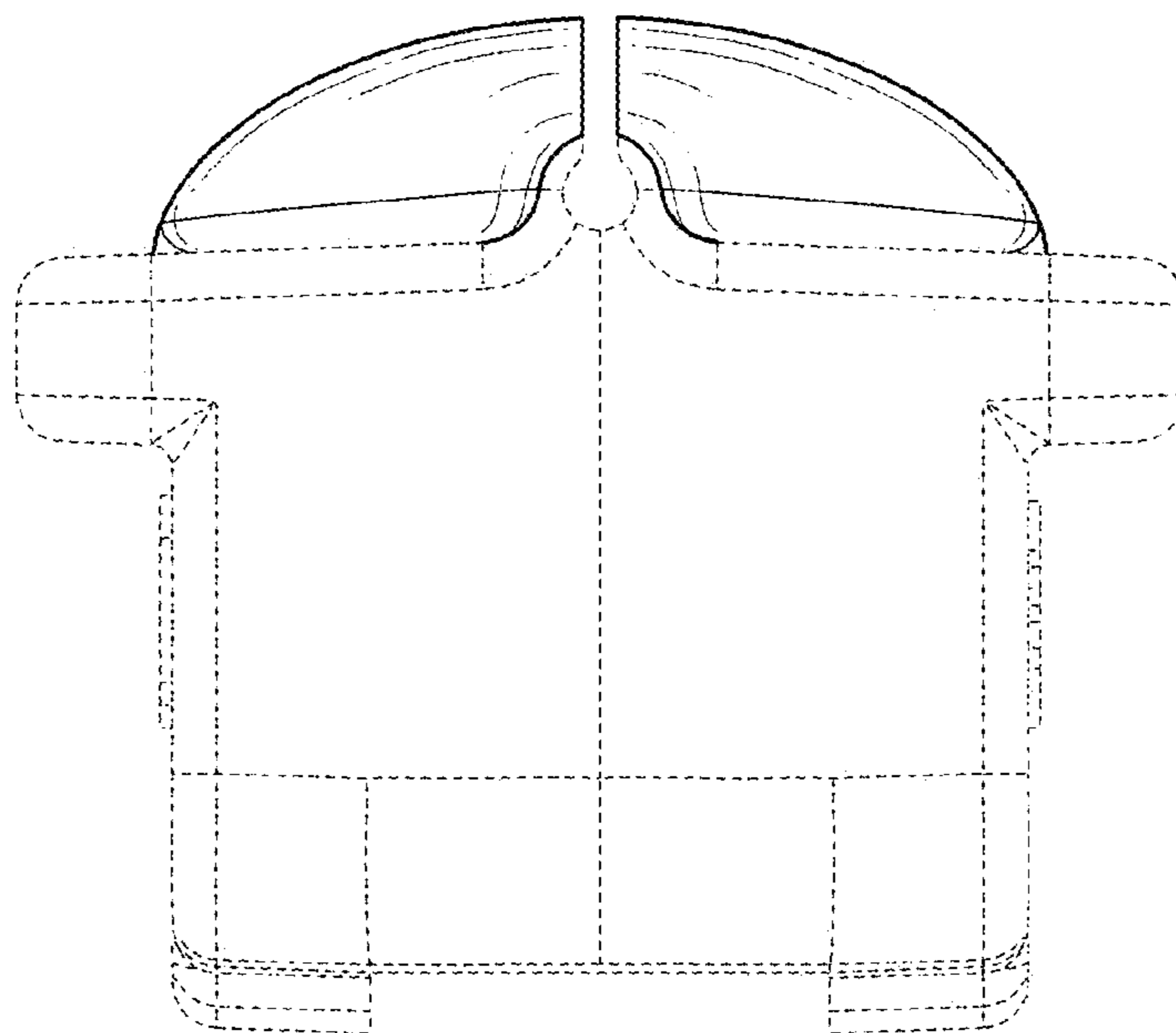




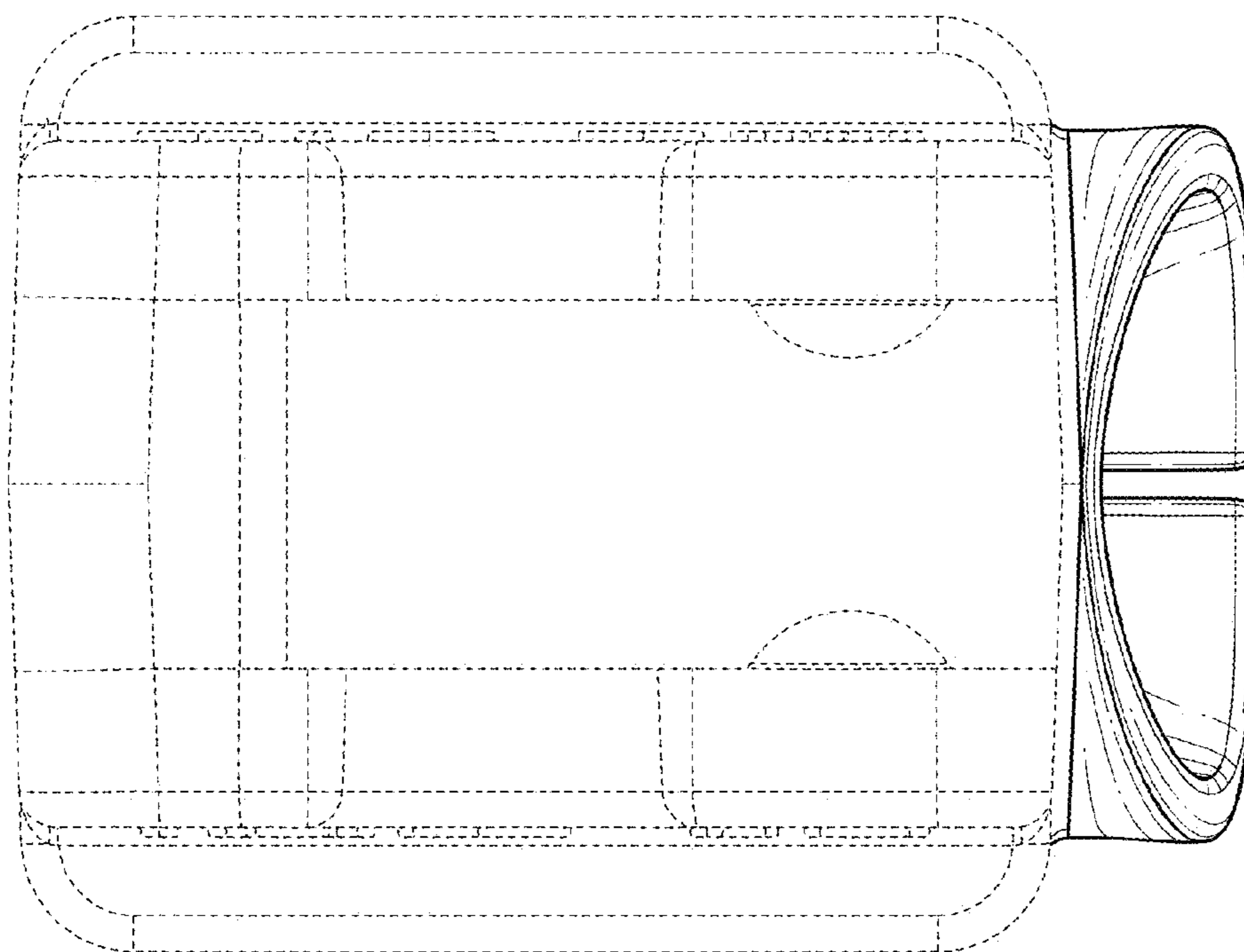
**FIG. 5**



**FIG. 6**



**FIG. 7**



**FIG. 8**