



US00D752742S

(12) **United States Design Patent**
Oberg et al.

(10) **Patent No.:** **US D752,742 S**
(45) **Date of Patent:** **** Mar. 29, 2016**

(54) **NEEDLE GUIDE MOUNTING FIXTURE**

- (71) Applicant: **C. R. Bard, Inc.**, Murray Hill, NJ (US)
- (72) Inventors: **Kevin M. Oberg**, Clinton, MS (US);
Jonathan C. Gorzitze, Kaysville, UT (US)
- (73) Assignee: **C. R. Bard, Inc.**, Murry Hill, NJ (US)
- (**) Term: **14 Years**
- (21) Appl. No.: **29/493,146**
- (22) Filed: **Jun. 5, 2014**

Related U.S. Application Data

- (60) Continuation-in-part of application No. 13/886,196, filed on May 2, 2013, which is a division of application No. 12/642,456, filed on Dec. 18, 2009, now Pat. No. 8,574,160.
- (51) **LOC (10) Cl.** **24-02**
- (52) **U.S. Cl.**
USPC **D24/130; D24/140**
- (58) **Field of Classification Search**
USPC D24/140, 108, 129, 130, 133, 186, 187;
600/461, 407, 437, 459
CPC A61B 17/06061; A61B 17/0482;
A61B 19/201; A61B 17/3403; A61M 5/3287
See application file for complete search history.

(56) **References Cited**

U.S. PATENT DOCUMENTS

4,058,114 A 11/1977 Soldner
4,108,165 A 8/1978 Kopp et al.

(Continued)

FOREIGN PATENT DOCUMENTS

DE 2942405 A1 4/1981
EP 1709919 A1 10/2006

(Continued)

OTHER PUBLICATIONS

PCT/US2009/068828 filed Dec. 18, 2009 International Preliminary Report on Patentability dated Jun. 21, 2011.

(Continued)

Primary Examiner — Bridget L Eland

Assistant Examiner — Lauren McVey

(74) *Attorney, Agent, or Firm* — Rutan & Tucker, LLP

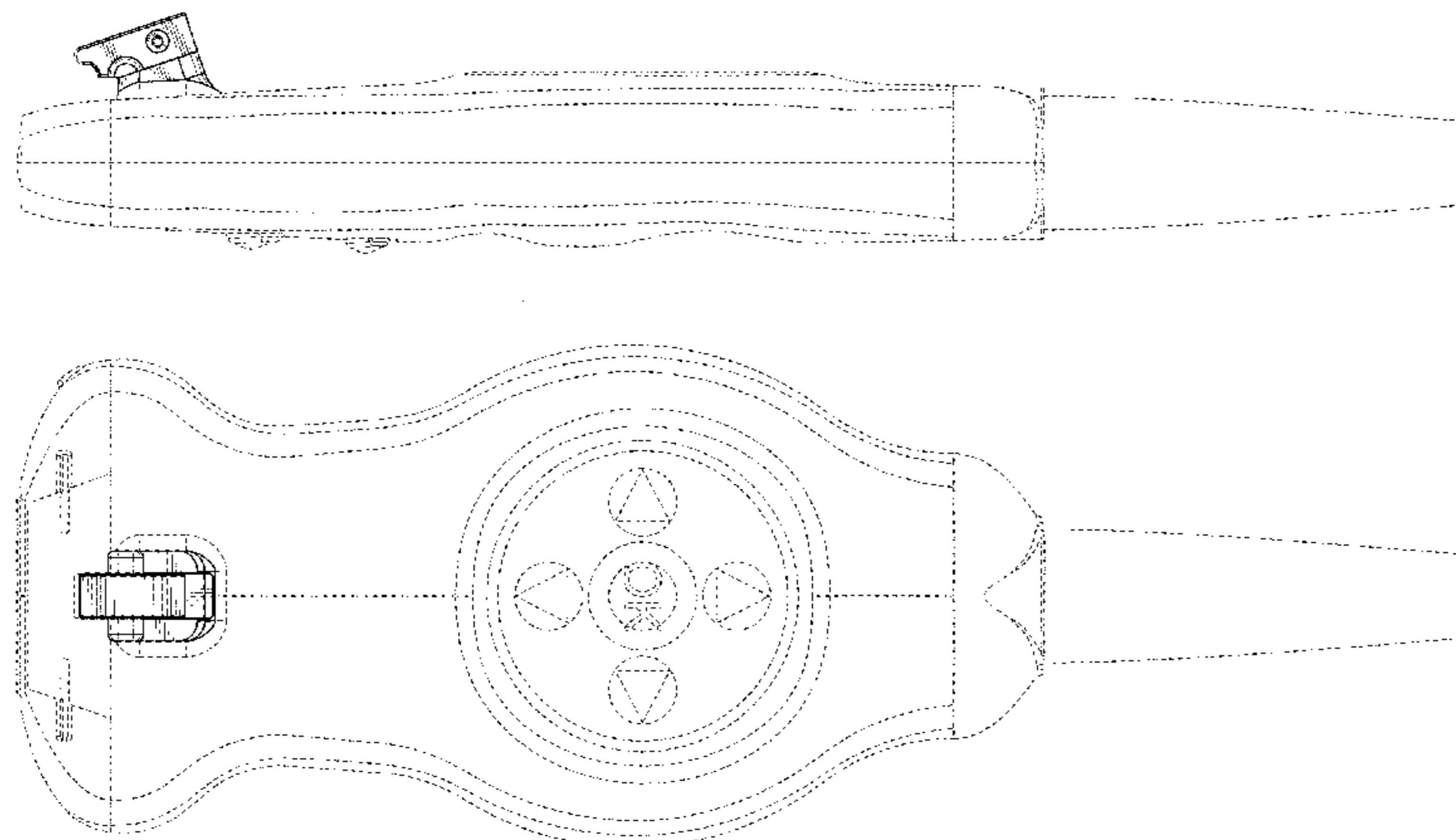
(57) **CLAIM**

The ornamental design for a needle guide mounting fixture, as shown and described.

DESCRIPTION

FIG. 1 is a front perspective view of a first embodiment of a needle guide mounting fixture;
 FIG. 2 is a rear perspective view of the needle guide mounting fixture of FIG. 1;
 FIG. 3 is a side elevation view of the needle guide mounting fixture of FIG. 1;
 FIG. 4 is a top plan view of the needle guide mounting fixture of FIG. 1;
 FIG. 5 is a front elevation view of the needle guide mounting fixture of FIG. 1;
 FIG. 6 is a rear elevation view of the needle guide mounting fixture of FIG. 1;
 FIG. 7 is a front perspective view of a second embodiment of a needle guide mounting fixture;
 FIG. 8 is a rear perspective view of the needle guide mounting fixture of FIG. 7;
 FIG. 9 is a side elevation view of the needle guide mounting fixture of FIG. 7;
 FIG. 10 is a top plan view of the needle guide mounting fixture of FIG. 7;
 FIG. 11 is a front elevation view of the needle guide mounting fixture of FIG. 7; and,
 FIG. 12 is a rear elevation view of the needle guide mounting fixture of FIG. 7.
 The broken lines immediately adjacent the shaded areas represent the bounds of the claimed design while all other broken lines are directed to environment; the broken lines form no part of the claimed design.

1 Claim, 8 Drawing Sheets



(56)

References Cited

U.S. PATENT DOCUMENTS

4,341,303	A	7/1982	Britt		7,976,469	B2	7/2011	Bonde et al.	
4,346,717	A	8/1982	Haerten		8,073,529	B2	12/2011	Cermak et al.	
4,363,326	A	12/1982	Kopel		8,075,495	B2	12/2011	Andreyko et al.	
4,402,324	A	9/1983	Lindgren et al.		8,118,743	B2	2/2012	Park et al.	
4,408,611	A	10/1983	Enjoji		D655,813	S	3/2012	Row et al.	
4,469,106	A	9/1984	Harui		8,137,281	B2	3/2012	Huang et al.	
4,497,325	A	2/1985	Wedel		D659,825	S	5/2012	Dillard, III	
4,548,210	A	10/1985	Enjoji et al.		D672,460	S	12/2012	Baid	
4,576,175	A	3/1986	Epstein		8,430,889	B2	4/2013	Zeng et al.	
4,608,989	A	9/1986	Drue		8,496,593	B2	7/2013	Park et al.	
4,635,644	A	1/1987	Yagata		8,523,824	B2	9/2013	Teirstein et al.	
4,662,870	A	5/1987	Augustine et al.		D698,919	S *	2/2014	Schwarz D24/130	
4,681,103	A	7/1987	Boner et al.		8,641,620	B2	2/2014	Lasser et al.	
4,723,544	A	2/1988	Moore et al.		8,647,280	B2	2/2014	Ooishi et al.	
4,742,829	A	5/1988	Law et al.		8,696,583	B2	4/2014	Ohgishi et al.	
4,838,506	A	6/1989	Cooper		8,696,585	B2	4/2014	Addison et al.	
4,877,033	A	10/1989	Seitz, Jr.		8,708,916	B2	4/2014	Okuno	
4,883,059	A	11/1989	Stedman et al.		8,740,800	B2	6/2014	Wakabayashi et al.	
4,898,178	A	2/1990	Wedel		8,747,324	B1	6/2014	Pruter et al.	
4,899,756	A	2/1990	Sonek		D710,512	S *	8/2014	Kitayama D24/187	
4,911,173	A	3/1990	Terwilliger		8,795,183	B2	8/2014	Siebrecht et al.	
4,979,945	A *	12/1990	Wade A61M 5/3213 206/365		8,808,186	B2	8/2014	Fruiland et al.	
5,052,396	A	10/1991	Wedel et al.		D724,745	S *	3/2015	Orome D24/186	
5,076,279	A	12/1991	Arenson et al.		D727,495	S	4/2015	Bown et al.	
5,100,387	A	3/1992	Ng		2002/0123689	A1	9/2002	Furia	
5,138,748	A	8/1992	Welles		2002/0133079	A1	9/2002	Sandhu	
5,235,987	A	8/1993	Wolfe		2003/0144627	A1	7/2003	Woehr et al.	
5,265,614	A	11/1993	Hayakawa et al.		2003/0171680	A1 *	9/2003	Paltieli A61B 8/0833 600/459	
5,280,427	A	1/1994	Magnusson et al.		2003/0195425	A1	10/2003	Ito	
D346,444	S *	4/1994	Wade D24/130		2004/0133111	A1	7/2004	Szczzech et al.	
5,427,108	A	6/1995	Bollinger		2005/0059891	A1	3/2005	Kosaku	
D362,064	S *	9/1995	Smick D24/130		2005/0113816	A1	5/2005	Whitmore et al.	
5,494,039	A	2/1996	Onik et al.		2005/0143753	A1	6/2005	Whitmore et al.	
5,623,931	A	4/1997	Wung et al.		2005/0267373	A1	12/2005	Lee	
5,758,650	A	6/1998	Miller et al.		2006/0129046	A1	6/2006	Stevens et al.	
5,911,707	A	6/1999	Wolvek et al.		2006/0150876	A1	7/2006	Green et al.	
D412,032	S	7/1999	Mikula-Curtis et al.		2006/0241477	A1	10/2006	Sasady et al.	
5,924,992	A	7/1999	Park et al.		2007/0016781	A1	1/2007	Asokan et al.	
5,941,889	A	8/1999	Cermak		2007/0038113	A1	2/2007	Oonuki et al.	
6,050,954	A	4/2000	Mittermeier		2007/0073155	A1	3/2007	Park et al.	
D424,693	S	5/2000	Pruter		2007/0078346	A1	4/2007	Park et al.	
6,083,169	A	7/2000	Hansen		2007/0112272	A1	5/2007	Park et al.	
6,095,981	A	8/2000	McGahan		2007/0167817	A1	7/2007	Huang et al.	
6,203,499	B1	3/2001	Imling et al.		2007/0276241	A1	11/2007	Park et al.	
6,283,942	B1	9/2001	Staehlin et al.		2007/0276253	A1	11/2007	Park et al.	
6,296,614	B1	10/2001	Pruter		2007/0282205	A1	12/2007	Furia	
6,361,499	B1	3/2002	Bates et al.		2008/0033454	A1	2/2008	Lukoschek et al.	
6,368,280	B1	4/2002	Cermak et al.		2008/0300491	A1	12/2008	Bonde et al.	
6,379,307	B1	4/2002	Filly et al.		2009/0143684	A1	6/2009	Cermak et al.	
6,425,871	B1	7/2002	Jaggi		2009/0171219	A1	7/2009	Uchibori	
6,475,152	B1	11/2002	Kelly, Jr. et al.		2009/0247876	A1	10/2009	Cannon, Jr. et al.	
6,485,426	B2	11/2002	Sandhu		2009/0266957	A1	10/2009	Cermak	
6,612,990	B1	9/2003	Pruter		2009/0270722	A1	10/2009	Floyd et al.	
6,695,786	B2	2/2004	Wang et al.		2009/0275833	A1	11/2009	Ikeda et al.	
6,743,177	B2	6/2004	Ito et al.		2010/0041990	A1	2/2010	Schlitt et al.	
6,758,817	B1	7/2004	Pruter et al.		2010/0081920	A1	4/2010	Whitmore, III et al.	
6,814,704	B2	11/2004	Weilandt		2010/0106056	A1	4/2010	Norris	
6,840,954	B2	1/2005	Dietz et al.		2010/0160787	A1	6/2010	Gorzitze	
6,884,219	B1	4/2005	Pruter		2010/0228131	A1	9/2010	Oonuki et al.	
7,022,082	B2	4/2006	Sonek		2010/0247513	A1	9/2010	Agee et al.	
7,087,024	B1	8/2006	Pruter		2010/0312121	A1	12/2010	Guan	
D530,009	S *	10/2006	Lyman D24/108		2011/0028847	A1	2/2011	Whitmore, III et al.	
D530,817	S *	10/2006	Lyman D24/108		2011/0282188	A1 *	11/2011	Burnside A61B 5/042 600/424	
7,322,990	B1	1/2008	Mark et al.		2012/0165679	A1	6/2012	Orome et al.	
7,351,205	B2	4/2008	Szczzech et al.		2012/0184956	A1 *	7/2012	Velusamy A61B 17/3403 606/41	
7,452,331	B1	11/2008	Pruter		2012/0330159	A1	12/2012	Orome et al.	
7,588,541	B2	9/2009	Floyd et al.		2013/0150714	A1	6/2013	Howlett et al.	
7,635,336	B1	12/2009	Pruter		2013/0245452	A1	9/2013	Gorzitze	
7,670,294	B2	3/2010	Kisen et al.		2015/0112200	A1	4/2015	Oberg et al.	
7,691,066	B2	4/2010	Kosaku		2015/0245872	A1 *	9/2015	Hagy A61B 17/34 600/424	
D625,805	S *	10/2010	Hereford D24/108						
7,837,627	B1	11/2010	Pruter						
D630,731	S	1/2011	Schmutzer et al.						
7,909,815	B2	3/2011	Whitmore, III et al.						

FOREIGN PATENT DOCUMENTS

JP	01097440	A	4/1989
JP	03173542	A	7/1991

(56)

References Cited

FOREIGN PATENT DOCUMENTS

JP	11128237	A	5/1999
JP	21161683		6/2001
JP	21340334		12/2001
JP	23299654		10/2003
JP	23334191		11/2003
JP	D1341019	*	10/2008
JP	D1341364	*	10/2008
WO	9610958	A2	4/1996
WO	0019906		4/2000
WO	0040155	A1	7/2000
WO	03094701	A2	11/2003
WO	2004021898	A1	3/2004
WO	2006060657	A2	6/2006
WO	2007027511	A2	3/2007
WO	2007040172	A1	4/2007
WO	2007110076	A1	10/2007
WO	2008024515	A2	2/2008
WO	2009073653	A1	6/2009
WO	2009090230	A1	7/2009
WO	2010080637	A1	7/2010
WO	2010084322	A1	7/2010
WO	2012088458		6/2012
WO	2012178109		12/2012
WO	2013054168	A2	4/2013
WO	2015100332	A1	7/2015

OTHER PUBLICATIONS

PCT/US2009/068828 filed Dec. 18, 2009 Search Report dated Mar. 3, 2010.
 PCT/US2009/068828 filed Dec. 18, 2009 Written Opinion dated Mar. 3, 2010.
 PCT/US2011/066940 filed Dec. 22, 2011 International Preliminary Report on Patentability dated Jul. 4, 2013.
 PCT/US2011/066940 filed Dec. 22, 2011 International Search Report and Written Opinion dated Apr. 20, 2012.
 PCT/US2012/043877 filed Jun. 22, 2012 International Search Report and Written Opinion dated Sep. 24, 2012.

U.S. Appl. No. 12/642,456, filed Dec. 18, 2009 Final Office Action dated Nov. 23, 2012.
 U.S. Appl. No. 12/642,456, filed Dec. 18, 2009 Non-Final Office Action dated Jul. 2, 2012.
 U.S. Appl. No. 12/642,456, filed Dec. 18, 2009 Notice of Allowance dated Jul. 12, 2013.
 U.S. Appl. No. 13/335,587, filed Dec. 22, 2011 Non-Final Office Action dated Mar. 12, 2014.
 U.S. Appl. No. 13/886,196, filed May 2, 2013 Final Office Action dated Apr. 10, 2014.
 U.S. Appl. No. 13/886,196, filed May 2, 2013 Non-Final Office Action dated Dec. 19, 2013.
 CN 201180067467.2 filed Aug. 13, 2013 First Office Action dated Sep. 4, 2014.
 CN 201180067467.2 filed Aug. 13, 2013 second Office Action dated Apr. 30, 2015.
 CN 201280030885.9 filed Dec. 23, 2013 First Office Action dated Mar. 3, 2015.
 EP 11 850 516.3 filed Jul. 19, 2013 Extended European Search Report dated Mar. 4, 2015.
 EP 12 803 493.1 filed Jan. 15, 2014 Extended European Search Report dated Mar. 5, 2015.
 PCT/US2014/072168 filed Dec. 23, 2014 International Search Report and Written Opinion dated Apr. 16, 2015.
 U.S. Appl. No. 13/335,587, filed Dec. 22, 2011 Final Office Action dated Jul. 28, 2014.
 U.S. Appl. No. 13/335,587, filed Dec. 22, 2011 Final Office Action dated Jul. 8, 2015.
 U.S. Appl. No. 13/335,587, filed Dec. 22, 2011 Non-Final Office Action dated Feb. 2, 2015.
 U.S. Appl. No. 13/531,406, filed Jun. 22, 2012 Non-Final Office Action dated Jan. 9, 2015.
 U.S. Appl. No. 13/886,196, filed May 2, 2013 Advisory Action dated Jun. 13, 2014.
 U.S. Appl. No. 13/886,196, filed May 2, 2013 Final Office Action dated Dec. 22, 2014.
 U.S. Appl. No. 13/886,196, filed May 2, 2013 Non-Final Office Action dated Jul. 25, 2014.

* cited by examiner

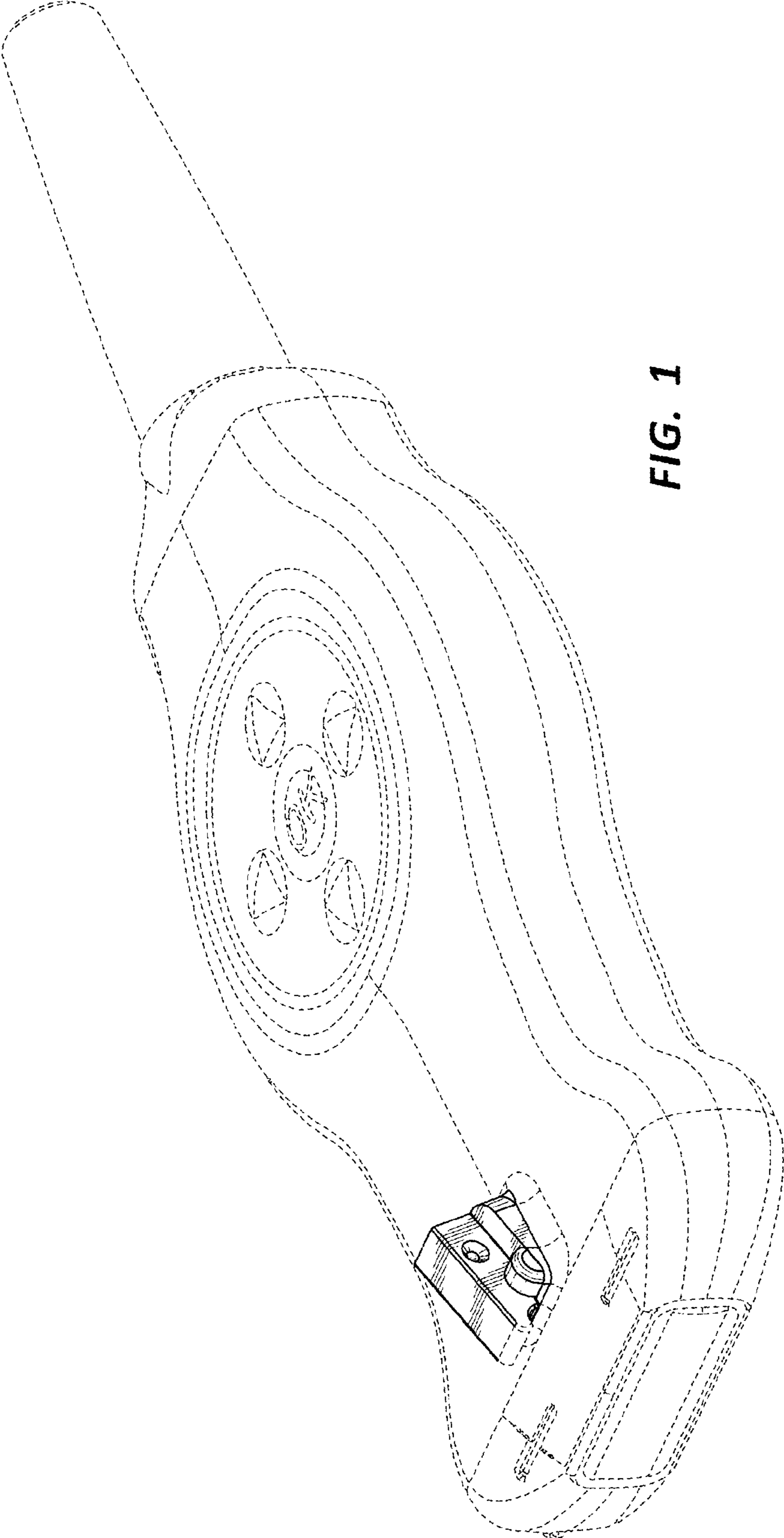


FIG. 1

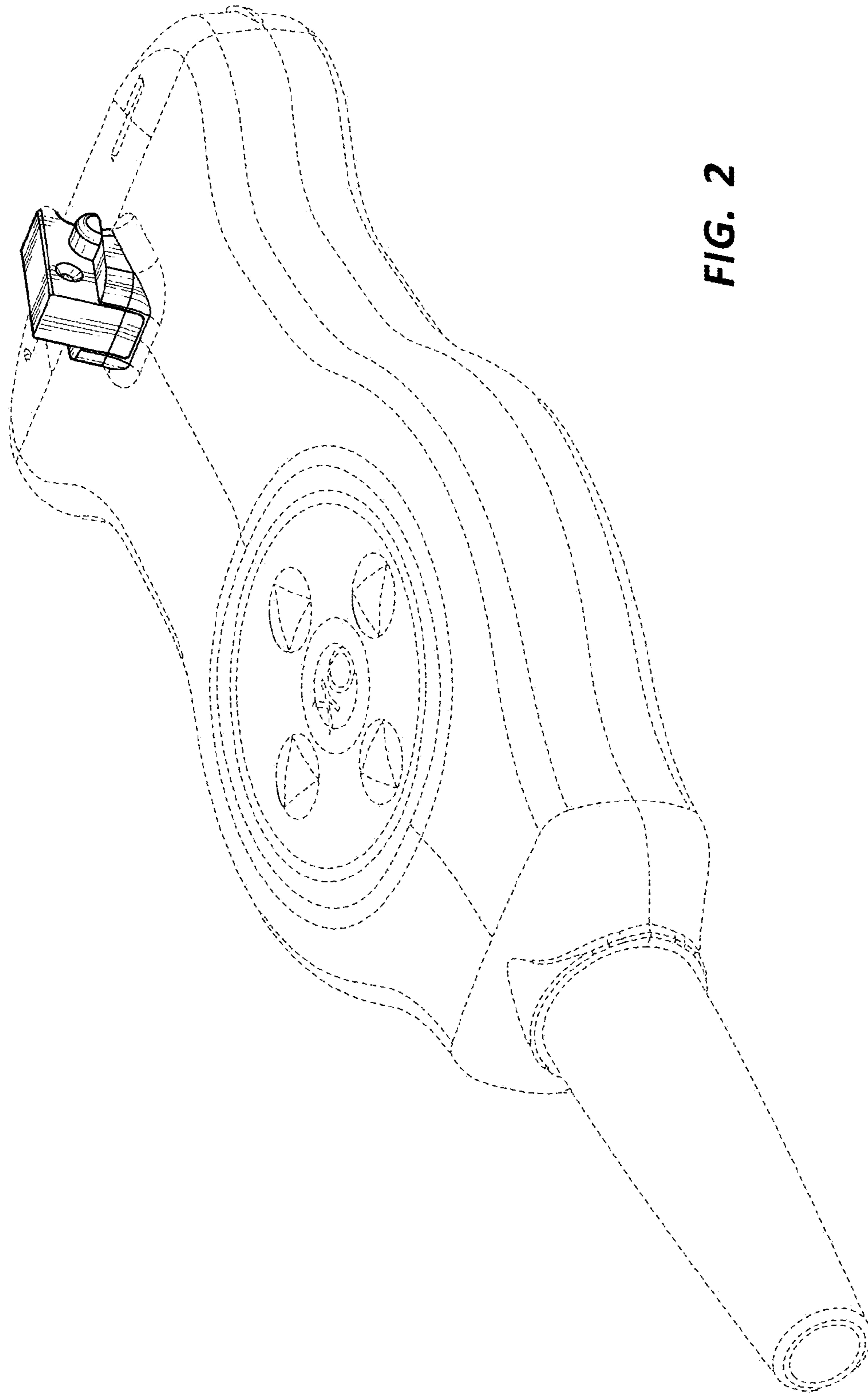


FIG. 2

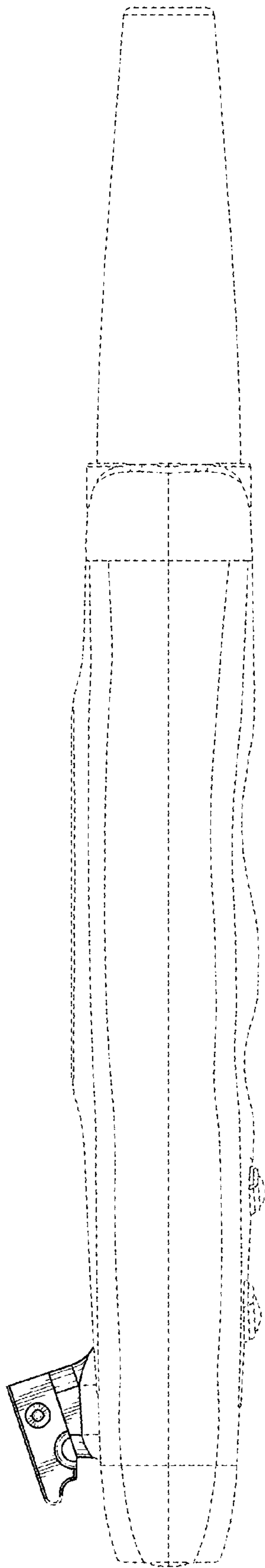


FIG. 3

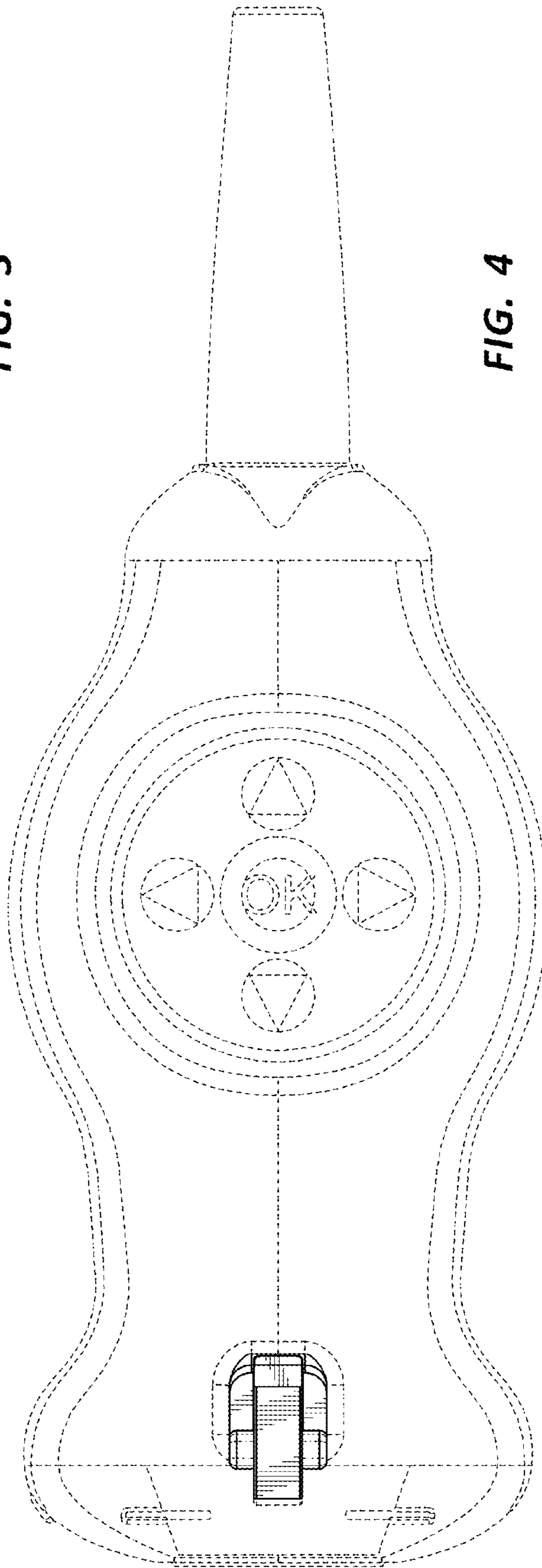


FIG. 4

FIG. 5

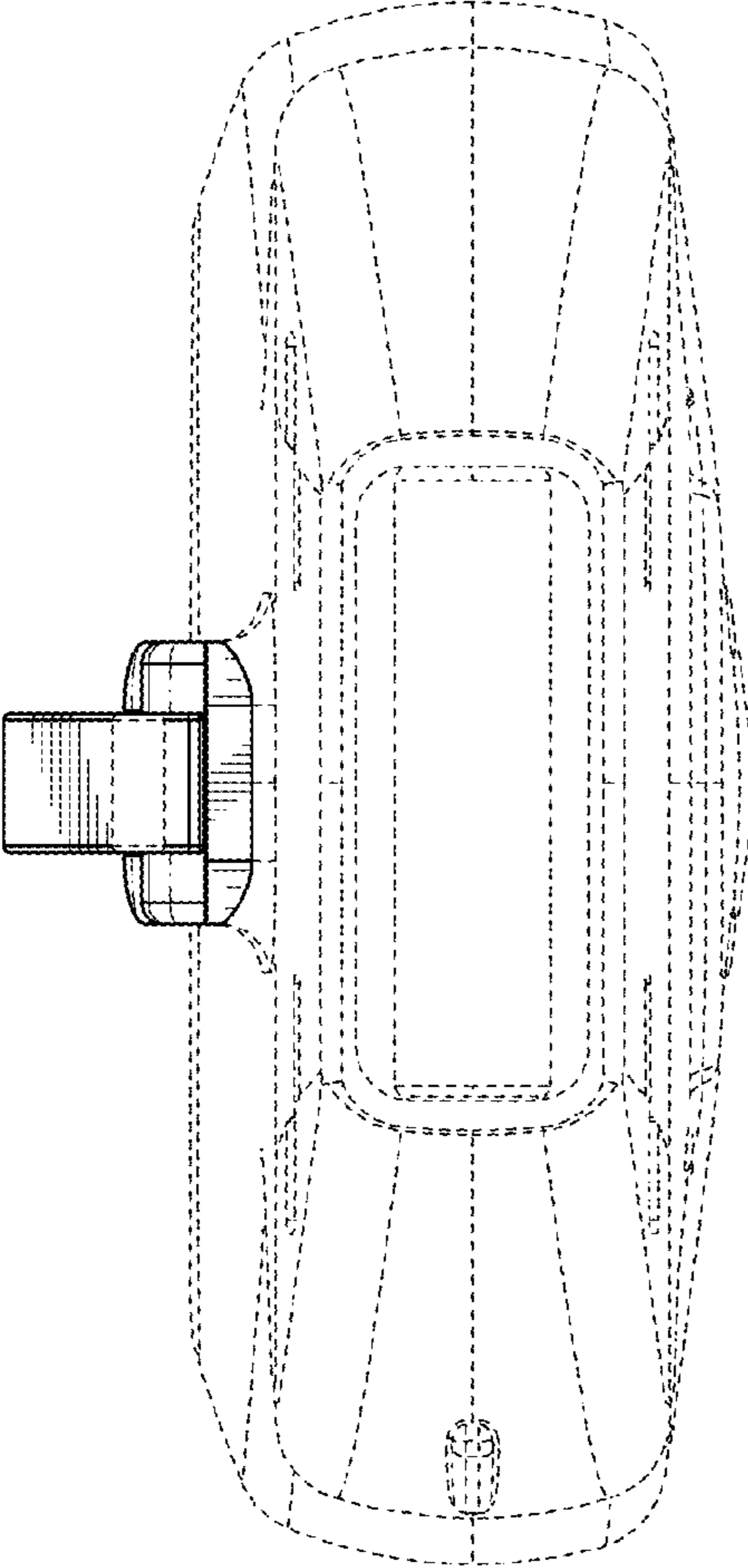
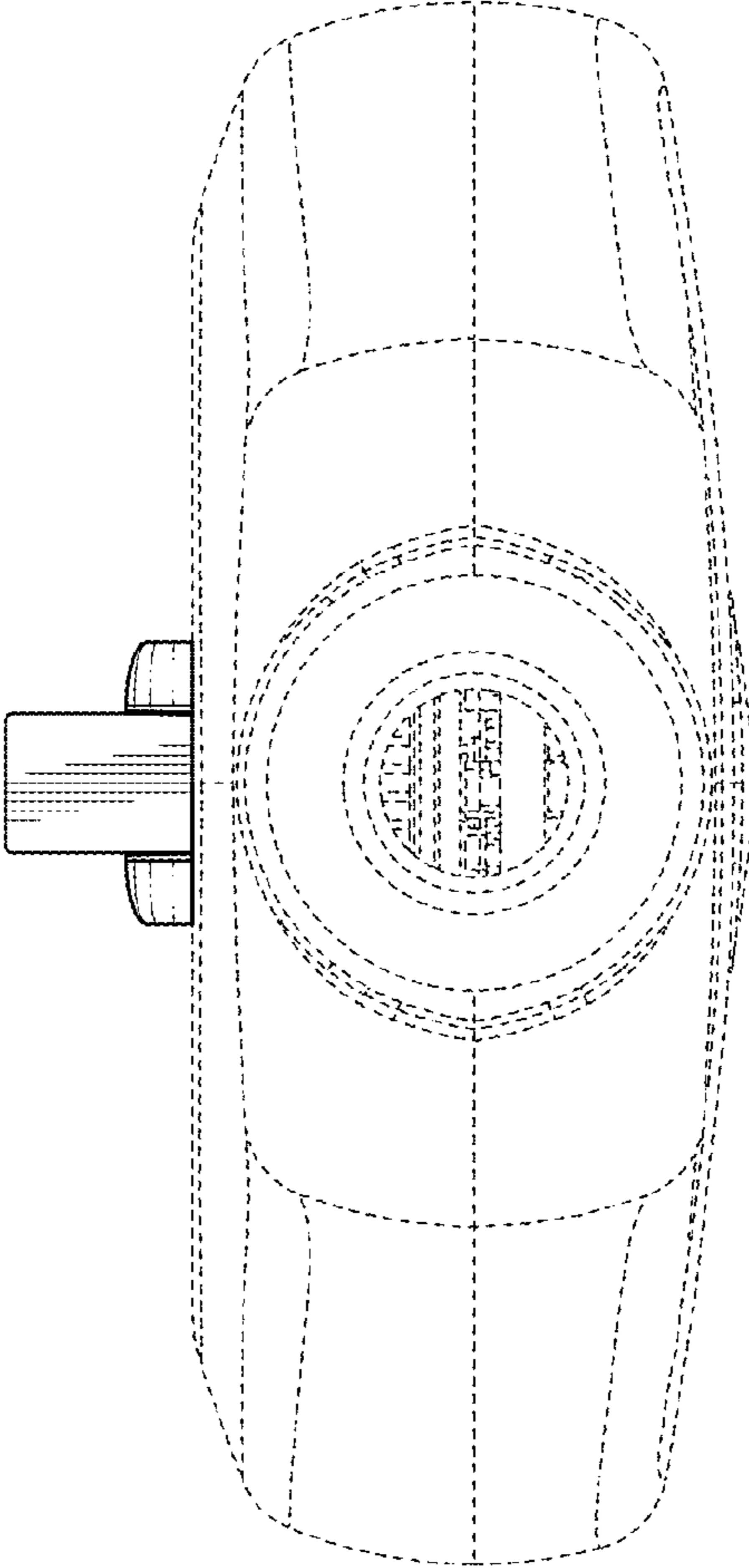


FIG. 6



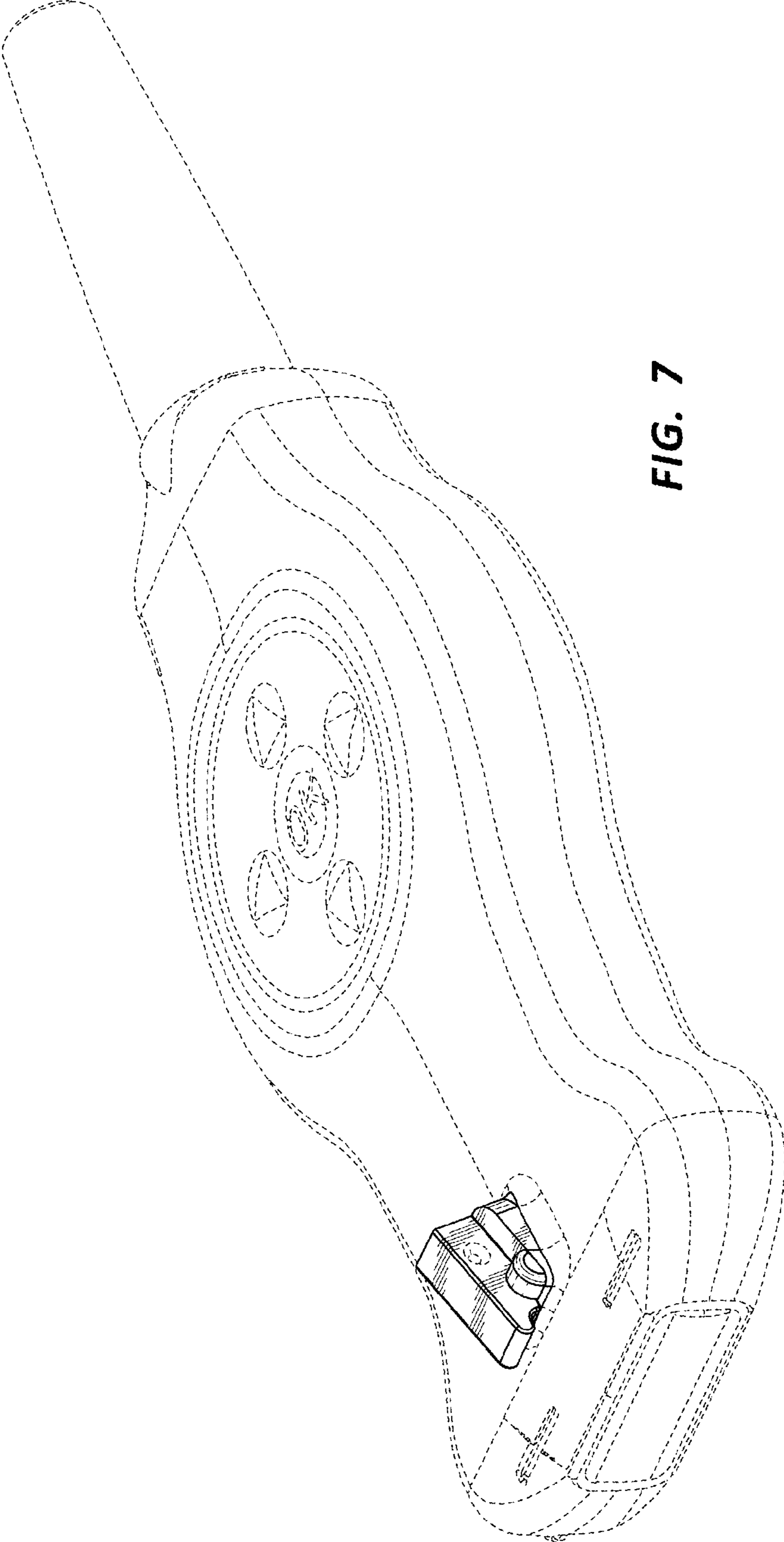


FIG. 7

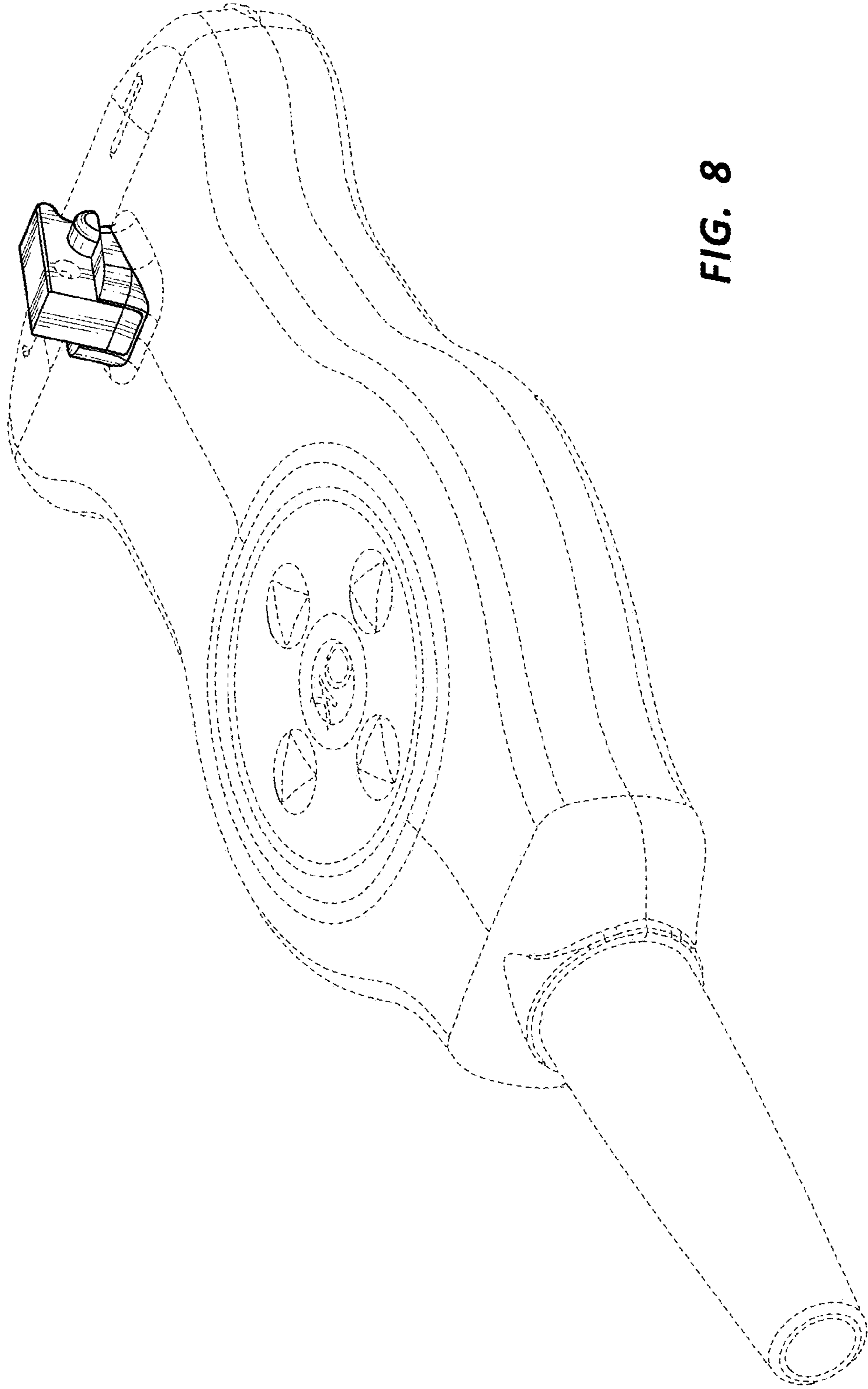


FIG. 8

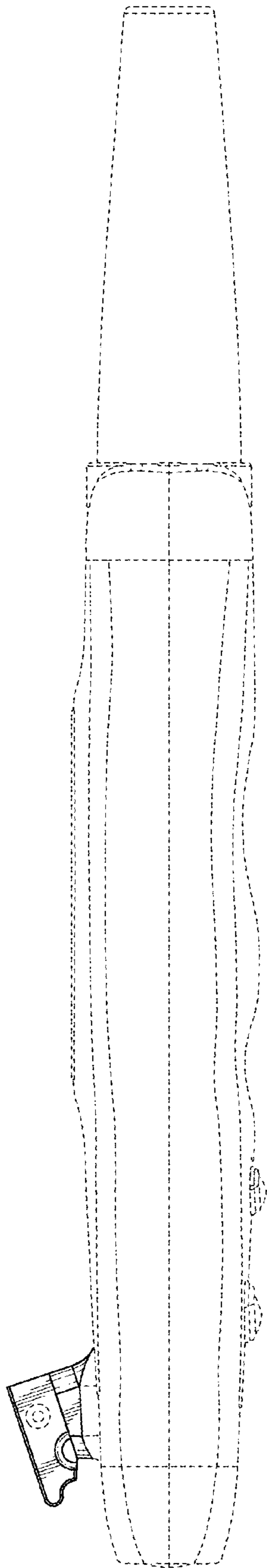


FIG. 9

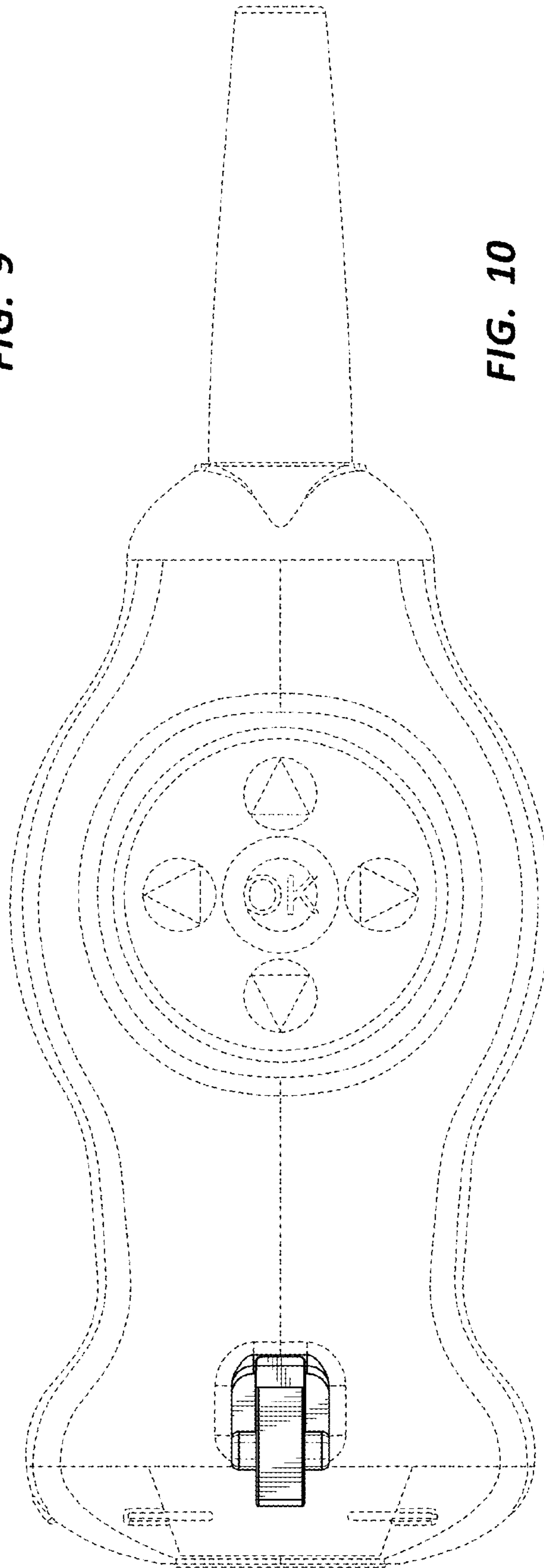


FIG. 10

FIG. 11

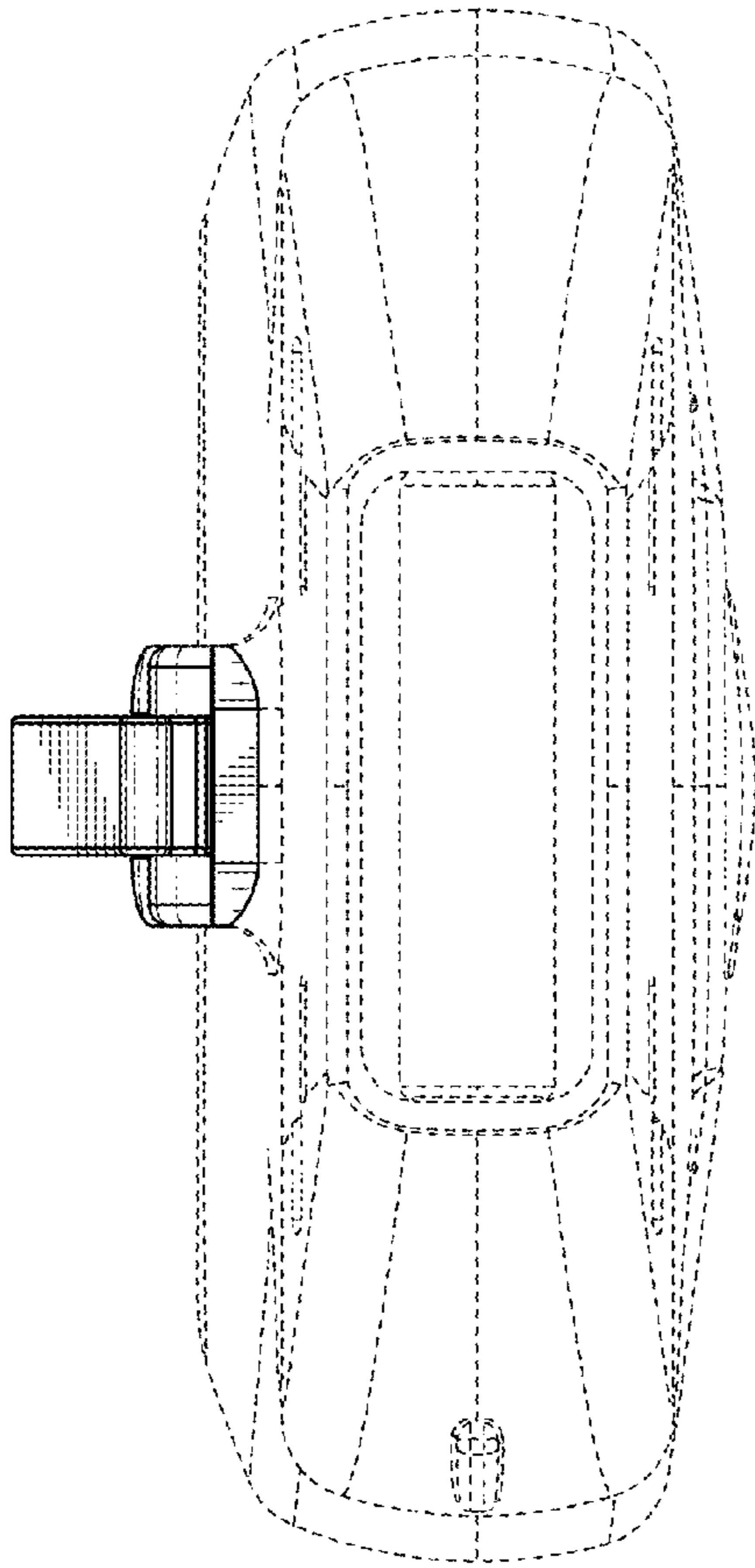
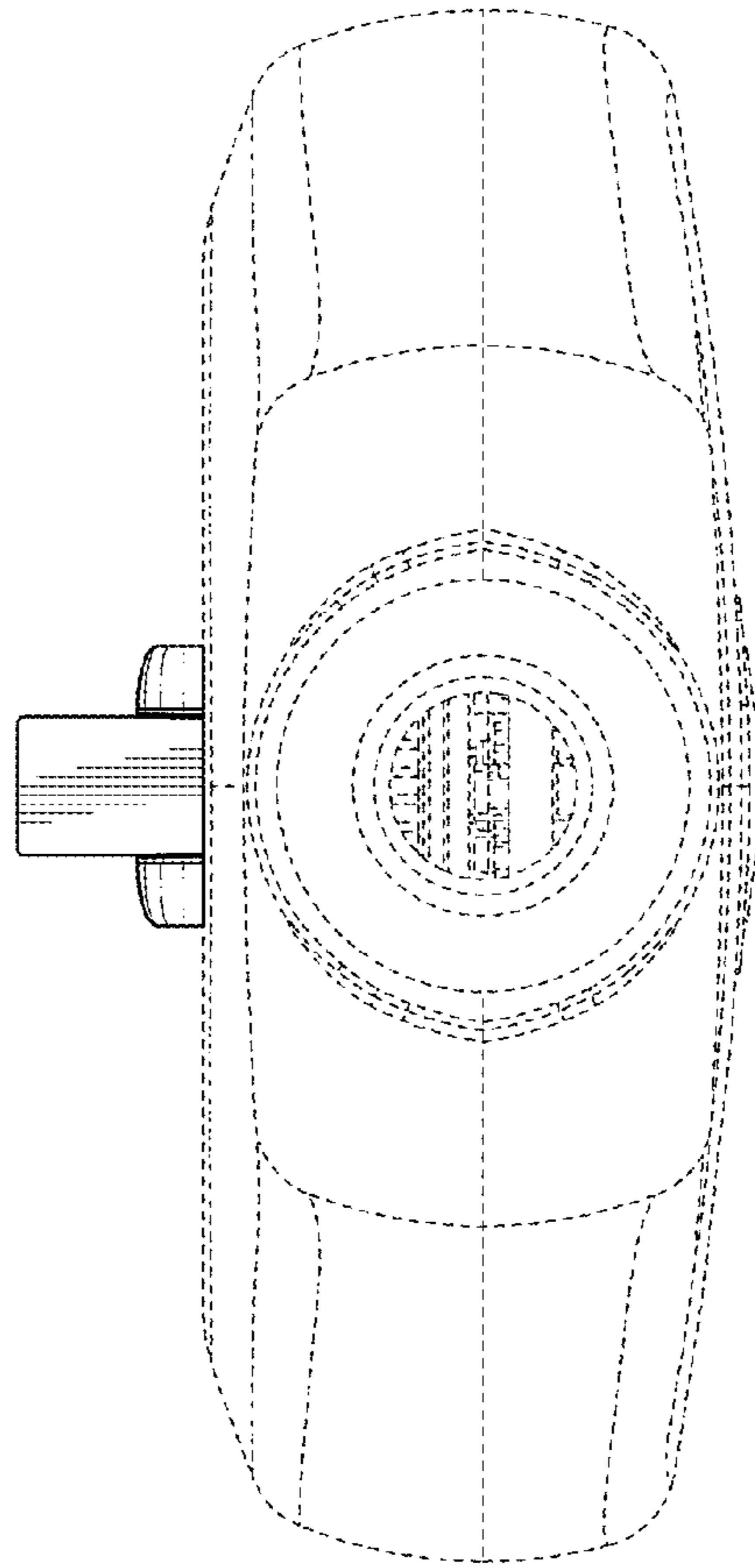


FIG. 12



UNITED STATES PATENT AND TRADEMARK OFFICE
CERTIFICATE OF CORRECTION

PATENT NO. : D752,742 S
APPLICATION NO. : 29/493146
DATED : March 29, 2016
INVENTOR(S) : Kevin M. Oberg et al.

Page 1 of 1

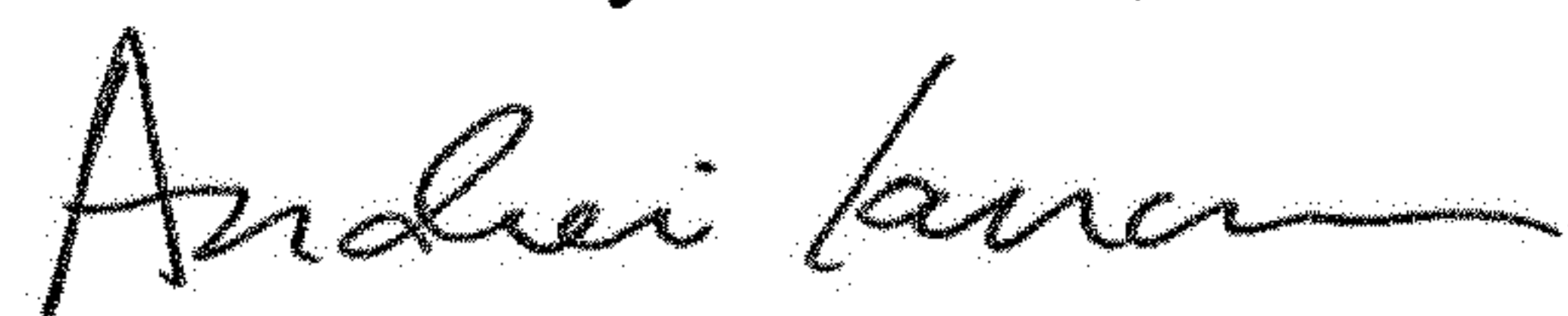
It is certified that error appears in the above-identified patent and that said Letters Patent is hereby corrected as shown below:

On the Title Page

Item (72), should read:

Kevin M. Oberg, Clinton, MS (US); Jonathan C. Gorzitze, Kaysville, UT (US); Amir Orome,
Sandy, UT (US)

Signed and Sealed this
Third Day of March, 2020



Andrei Iancu
Director of the United States Patent and Trademark Office