



US00D752741S

(12) **United States Design Patent**  
**Winsor**

(10) **Patent No.:** **US D752,741 S**  
(45) **Date of Patent:** **\*\* Mar. 29, 2016**

(54) **COUPLER FOR INTRAVASCULAR COMPONENT**

(71) Applicant: **Nexus Medical, LLC**, Lenexa, KS (US)

(72) Inventor: **Chris Winsor**, Overland Park, KS (US)

(73) Assignee: **Nexus Medical, LLC**, Lenexa, KS (US)

(\*\*) Term: **14 Years**

(21) Appl. No.: **29/477,153**

(22) Filed: **Dec. 19, 2013**

(51) **LOC (10) Cl.** ..... **24-02**

(52) **U.S. Cl.**  
USPC ..... **D24/129**

(58) **Field of Classification Search**  
USPC ..... D24/127-131, 112-114, 133, 186;  
606/181, 185; 604/264, 272, 115, 232,  
604/187, 158, 164.08, 192, 263, 163, 181,  
604/184, 198, 227; 600/101, 139, 143;  
128/200.24, 207.14, 207.15  
CPC . A61M 25/065; A61M 5/42; A61M 25/0612;  
A61M 25/00; A61M 39/00; A61M 27/00;  
A61M 25/0043; A61M 25/0067; A61M  
25/0097; A61F 2/958

See application file for complete search history.

(56) **References Cited**

U.S. PATENT DOCUMENTS

5,009,642	A	*	4/1991	Sahi	.....	604/158
D510,139	S	*	9/2005	Gilad et al.	.....	D24/186
D570,478	S	*	6/2008	Sudo	.....	D24/130
D580,069	S	*	11/2008	Lee	.....	D24/216
D632,389	S	*	2/2011	Maeda et al.	.....	D24/130
D632,784	S	*	2/2011	Maeda et al.	.....	D24/130
D644,731	S	*	9/2011	Fangrow, Jr.	.....	D24/129
D651,307	S	*	12/2011	Sangha	.....	D24/127
D657,056	S	*	4/2012	Burgess et al.	.....	D24/129

D660,417	S	*	5/2012	Eury	.....	D24/129
D667,115	S	*	9/2012	Caballero	.....	D24/141
D671,639	S	*	11/2012	Trifilio	.....	D24/128
D691,717	S	*	10/2013	McLean et al.	.....	D24/129
D700,965	S	*	3/2014	Krishnan et al.	.....	D24/133
D701,304	S	*	3/2014	Lair et al.	.....	D24/129
D712,025	S	*	8/2014	Kawamura	.....	D24/112
D712,028	S	*	8/2014	Takemoto	.....	D24/130
D715,423	S	*	10/2014	Rogers	.....	D24/112
D715,921	S	*	10/2014	Wan	.....	D24/112
D720,850	S	*	1/2015	Hsia et al.	.....	D24/130
D721,802	S	*	1/2015	Ohashi	.....	D24/113
D723,681	S	*	3/2015	Ingram et al.	.....	D24/130
D725,263	S	*	3/2015	Honma et al.	.....	D24/133
8,974,372	B2	*	3/2015	Fell	.....	600/114
D726,316	S	*	4/2015	Marquez	.....	D24/146

\* cited by examiner

*Primary Examiner* — David Muller

(74) *Attorney, Agent, or Firm* — Erise IP, P.A.

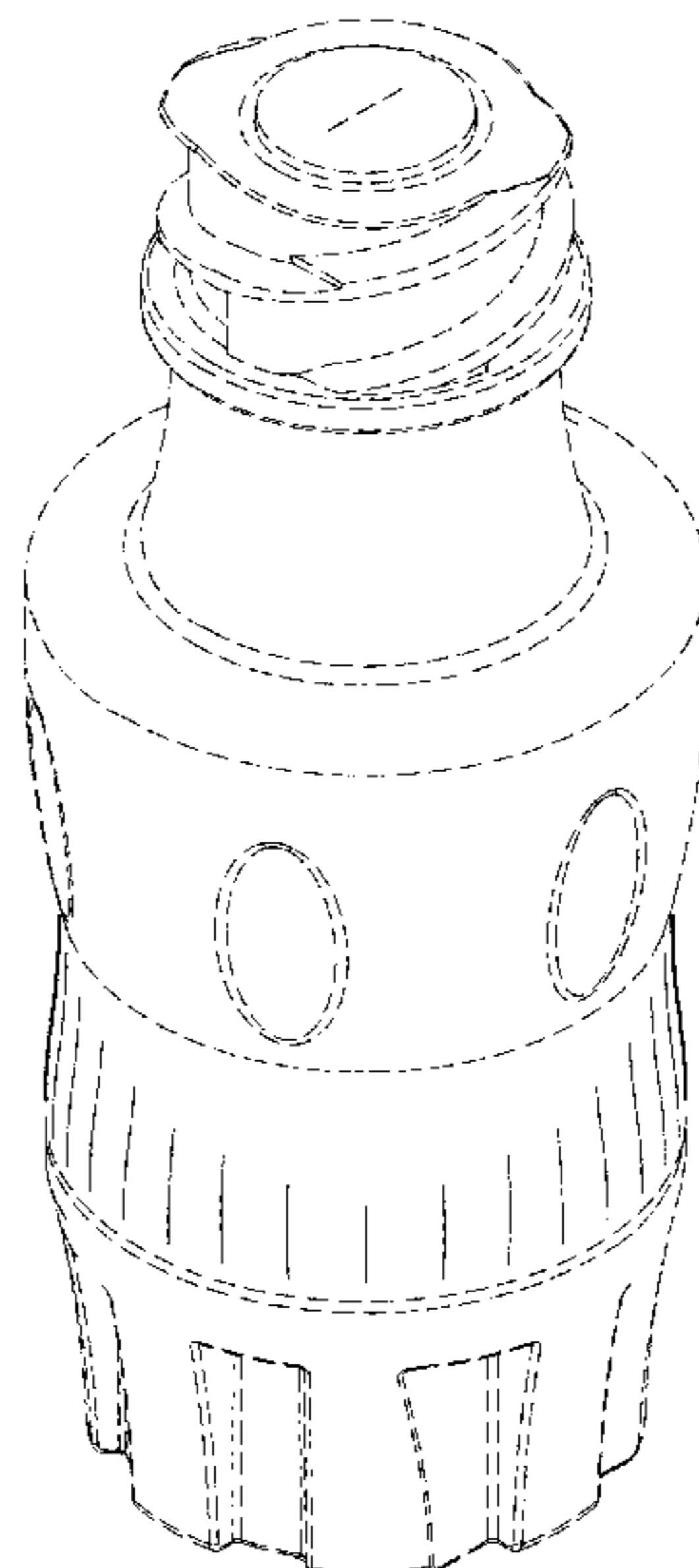
(57) **CLAIM**

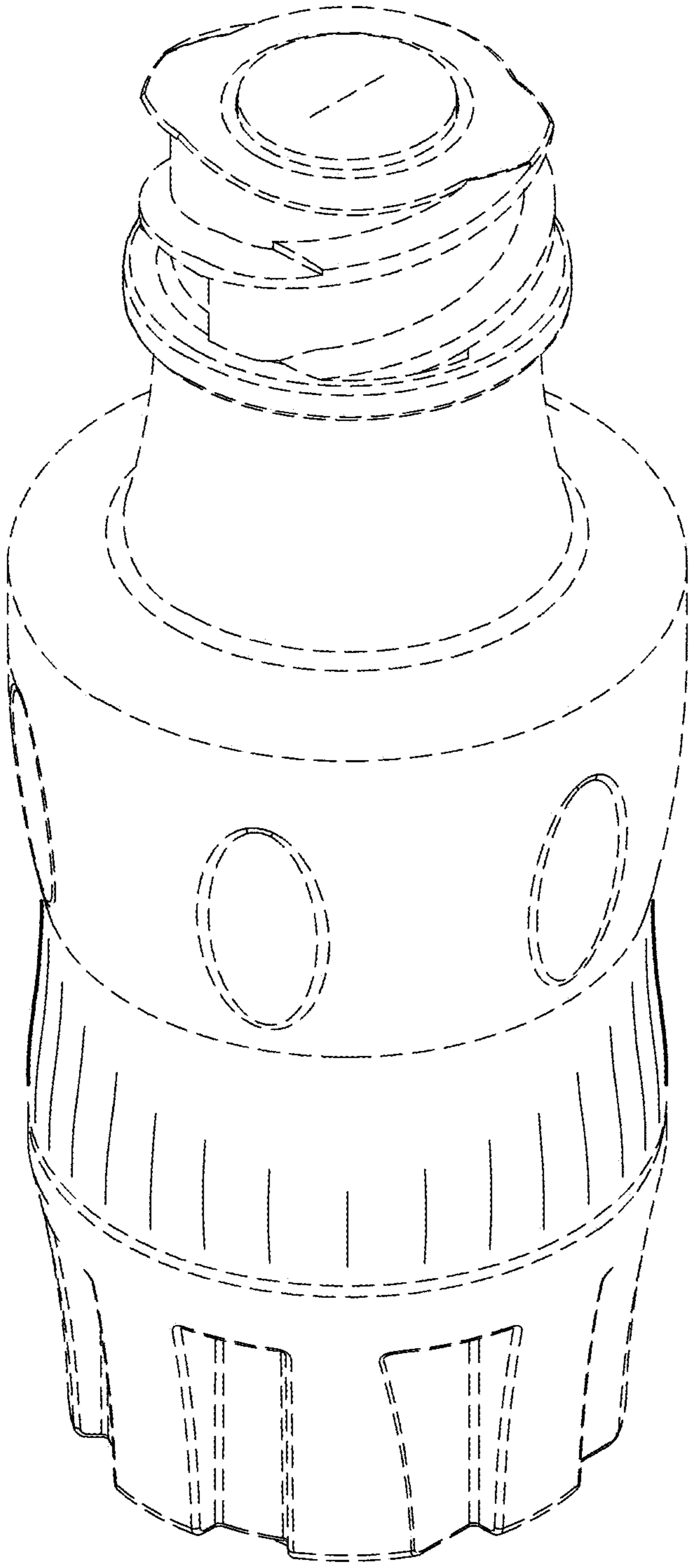
The ornamental design for a coupler for an intravascular component, as shown and described.

**DESCRIPTION**

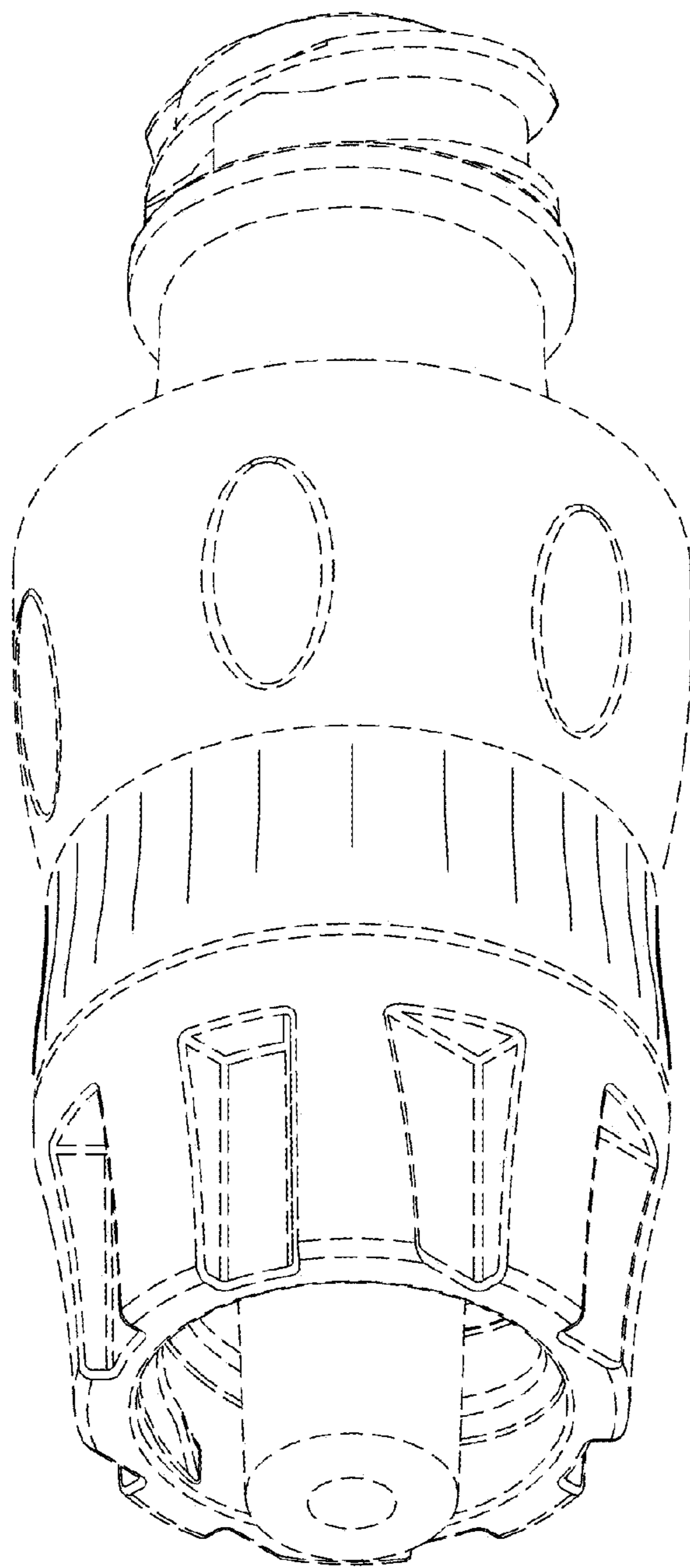
FIG. 1 is a top perspective view of a coupler for an intravascular component embodying the design;  
FIG. 2 is a bottom perspective view thereof;  
FIG. 3 is a left side elevation view thereof, with an opposite, right side elevation view being substantially the same as the left side elevation view;  
FIG. 4 is a front elevation view thereof, with an opposite, rear elevation view of the coupler being substantially the same as the front elevation view;  
FIG. 5 is a top plan view thereof; and,  
FIG. 6 is a bottom plan view thereof.  
The features shown in broken lines depict environmental structure only and form no part of the claimed design.

**1 Claim, 5 Drawing Sheets**

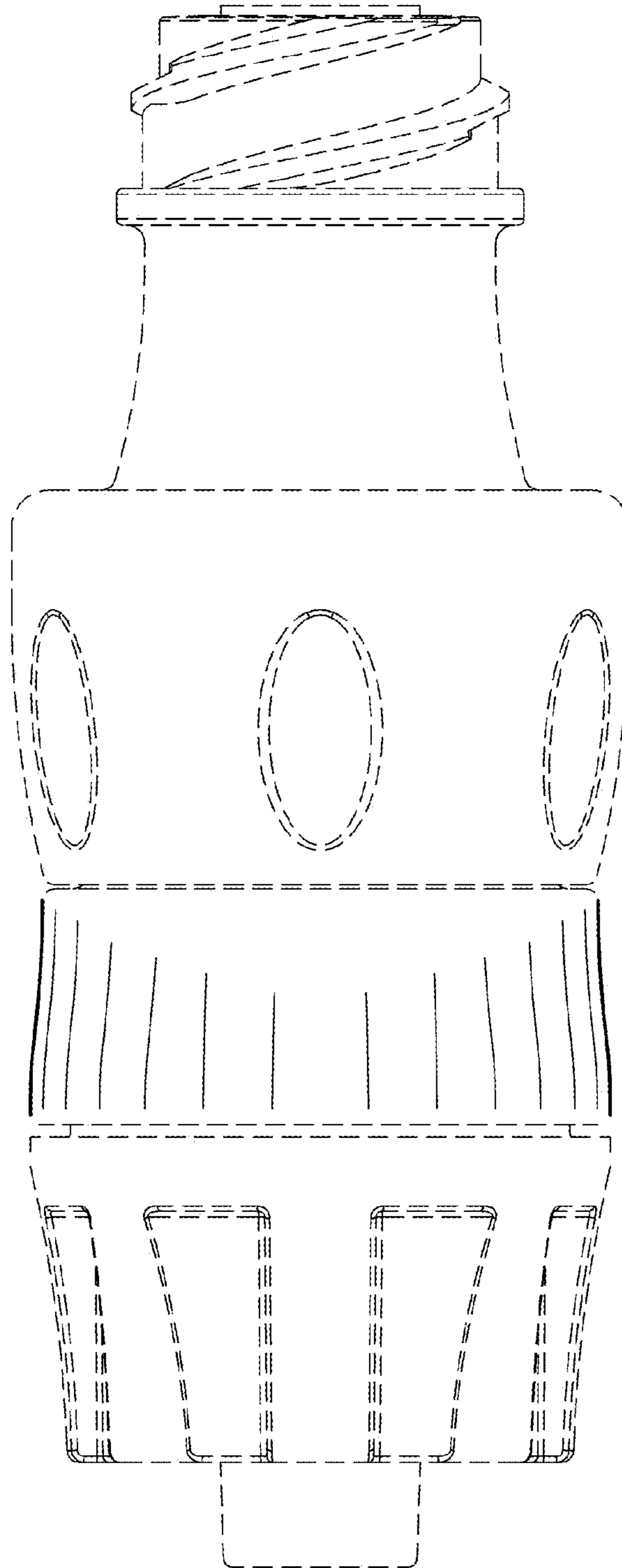




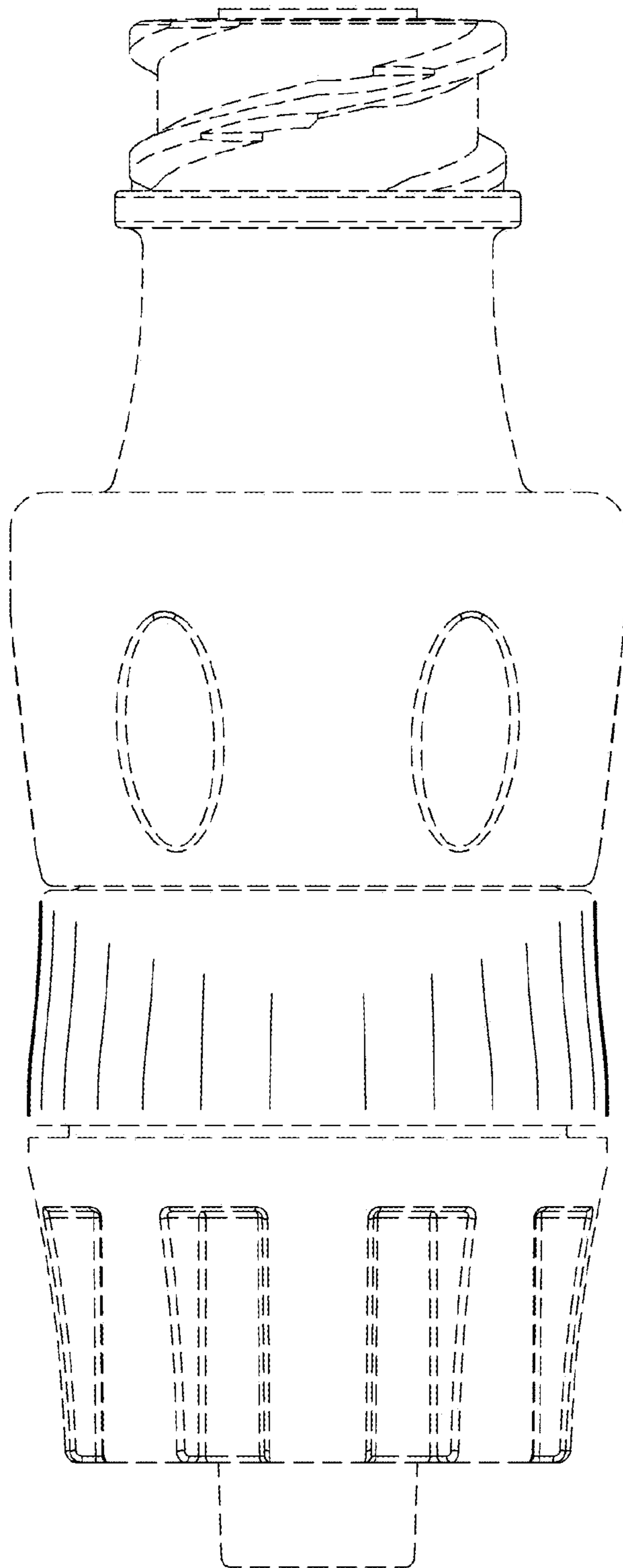
*Fig. 1*



*Fig. 2*

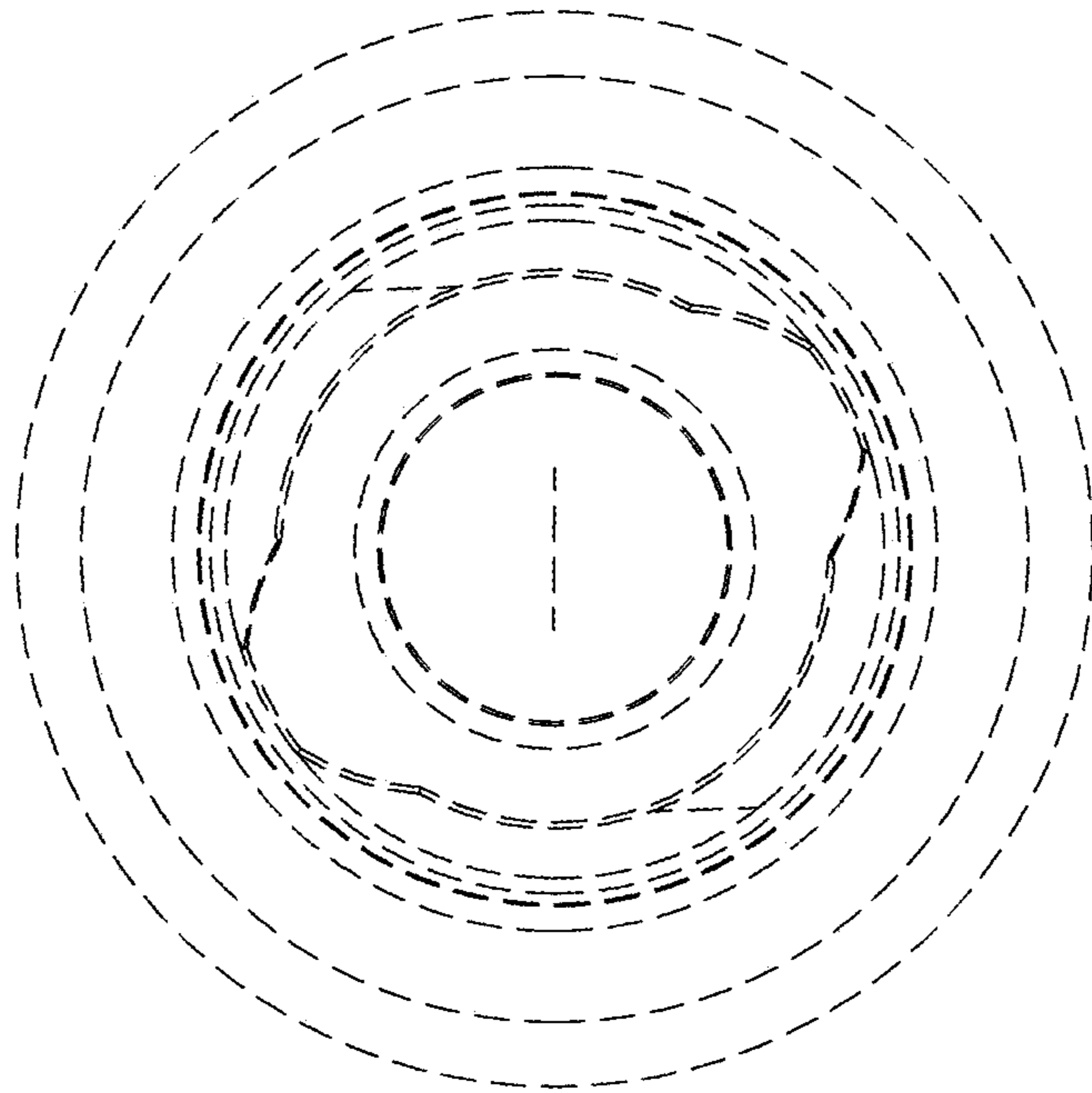


*Fig. 3*

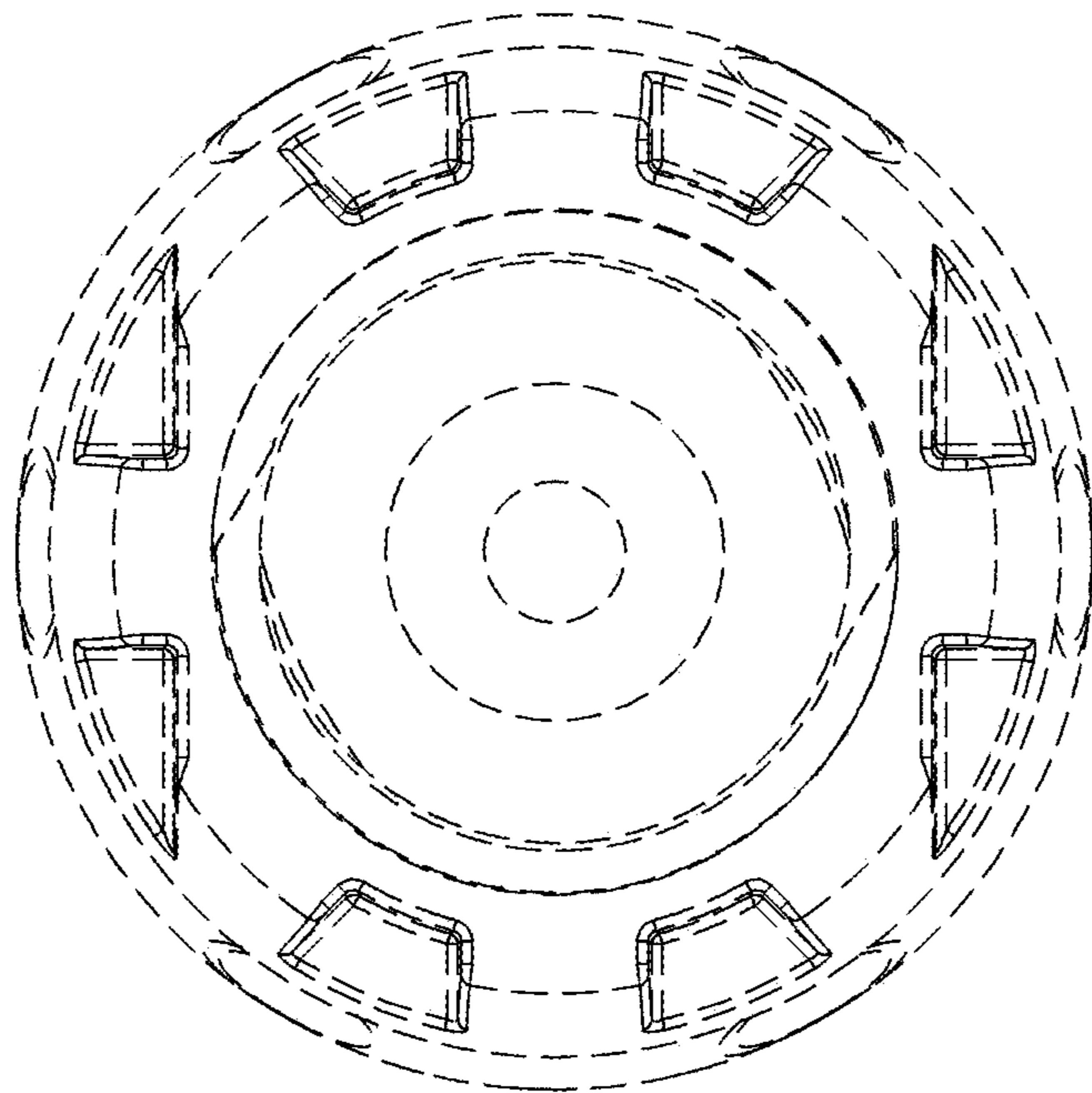


*Fig. 4*





*Fig. 5*



*Fig. 6*