



US00D752737S

(12) **United States Design Patent**  
**Ohashi**

(10) **Patent No.:** **US D752,737 S**  
(45) **Date of Patent:** **\*\* Mar. 29, 2016**

(54) **INDWELLING NEEDLE WITH SAFETY DEVICE**

(71) Applicant: **Terumo Kabushiki Kaisha**, Shibuya-ku, Tokyo (JP)

(72) Inventor: **Hiroataka Ohashi**, Tokyo (JP)

(73) Assignee: **Terumo Kabushiki Kaisha**, Shibuya-ku, Tokyo (JP)

(\*\*) Term: **14 Years**

(21) Appl. No.: **29/509,242**

(22) Filed: **Nov. 14, 2014**

**Related U.S. Application Data**

(63) Continuation of application No. 29/428,705, filed on Aug. 2, 2012, now Pat. No. Des. 719,255.

(30) **Foreign Application Priority Data**

Feb. 2, 2012 (JP) ..... 2012-002137

(51) **LOC (10) Cl.** ..... **24-02**

(52) **U.S. Cl.**  
USPC ..... **D24/112**

(58) **Field of Classification Search**  
USPC ..... D24/112, 113, 114, 133, 186, 130, 127, D24/108; D8/107, 307; D4/129, 138  
CPC ..... A61M 5/20; A61M 2005/3227; A61M 2005/3228; A61M 5/3232; A61M 2005/3258; A61M 25/0631; A61M 2025/0018; A61M 25/0606; A61M 25/0693; A61M 5/3243; A61M 2005/325

See application file for complete search history.

(56) **References Cited**

**U.S. PATENT DOCUMENTS**

5,000,740 A 3/1991 Ducharme et al.  
5,108,374 A 4/1992 Lemieux  
5,127,905 A 7/1992 Lemieux

5,704,919 A 1/1998 Kraus et al.  
D417,083 S \* 11/1999 Yun ..... D4/138  
6,379,332 B1 4/2002 Van Landuyt  
6,676,638 B2 1/2004 Takagi et al.  
6,770,059 B1 8/2004 Spinks et al.  
6,972,002 B2 12/2005 Thorne  
7,255,685 B2 \* 8/2007 Pressly, Sr. .... A61M 5/3234  
604/164.08  
7,314,462 B2 \* 1/2008 O'Reagan ..... A61M 25/0631  
604/110  
7,351,225 B2 4/2008 Takagi et al.

(Continued)

**FOREIGN PATENT DOCUMENTS**

EP 0812602 A2 \* 12/1997 ..... A61M 25/0631  
EP 1712250 A3 \* 9/2007 ..... A61M 25/0631

*Primary Examiner* — Sheryl Lane

*Assistant Examiner* — Ieisha Price

(74) *Attorney, Agent, or Firm* — Banner & Witcoff, Ltd.

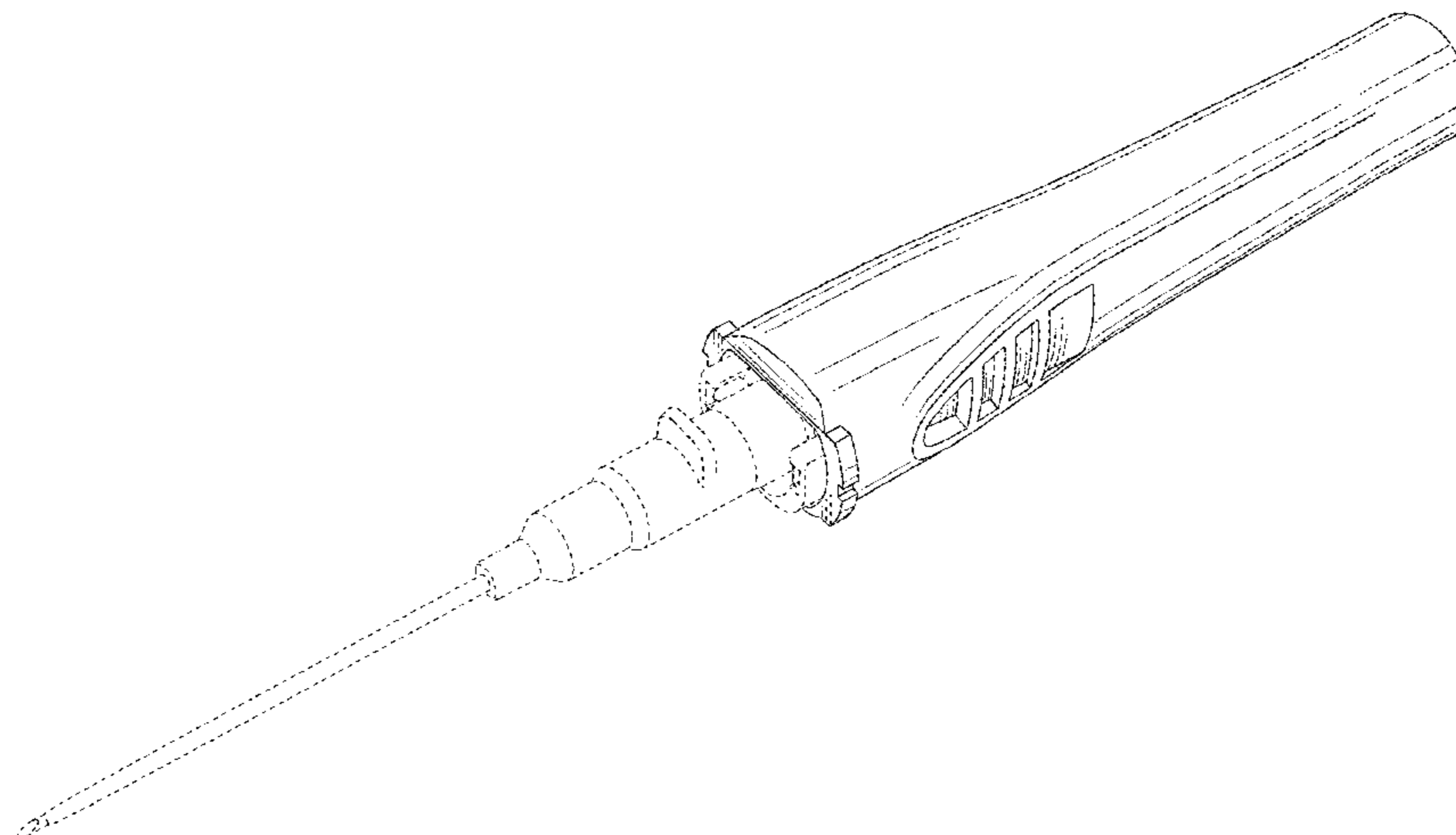
(57) **CLAIM**

The ornamental design for the indwelling needle with safety device, as shown and described.

**DESCRIPTION**

FIG. 1 is a front perspective view of an indwelling needle with safety device showing my new design;  
FIG. 2 is a front view thereof;  
FIG. 3 is a rear view thereof;  
FIG. 4 is a left side view thereof;  
FIG. 5 is a right side view thereof;  
FIG. 6 is a top plan view thereof;  
FIG. 7 is a bottom view thereof;  
FIG. 8 is a perspective view thereof with the environment shown in extended condition;  
FIG. 9 is a perspective view thereof with the environment shown in compressed condition; and,  
FIG. 10 is an alternate perspective view thereof with the environment shown in extended condition.  
The broken lines represent the portions of the design that form no part of the claim.

**1 Claim, 6 Drawing Sheets**



(56)

**References Cited**

U.S. PATENT DOCUMENTS

D603,561 S *	11/2009	Cho	.....	D28/58	2004/0230164 A1	11/2004	Spinks et al.	
7,736,342 B2	6/2010	Abriles et al.			2004/0267204 A1 *	12/2004	Brustowicz	..... A61M 25/0631 604/168.01
D627,977 S *	11/2010	Magallanes Orozco	.....	D4/138	2006/0041231 A1	2/2006	Pressly et al.	
D640,785 S	6/2011	Lee			2006/0229563 A1 *	10/2006	O'Reagan	..... A61M 25/0631 604/164.08
D655,406 S	3/2012	Ma et al.			2008/0300543 A1	12/2008	Abriles et al.	
D671,815 S *	12/2012	Bauer	.....	D8/107	2011/0301553 A1 *	12/2011	Goral	..... A01N 25/04 604/265
D687,598 S *	8/2013	Amit	.....	D24/133	2011/0306933 A1 *	12/2011	Djordjevic	..... A61M 25/0631 604/164.08
D711,657 S *	8/2014	Chang	.....	D4/138	2013/0172820 A1	7/2013	Spearman	
D719,255 S *	12/2014	Ohashi	.....	D24/108				
D719,256 S *	12/2014	Ohashi	.....	D24/108				
2003/0199827 A1 *	10/2003	Thorne	.....	A61M 25/0631 604/164.08				

\* cited by examiner

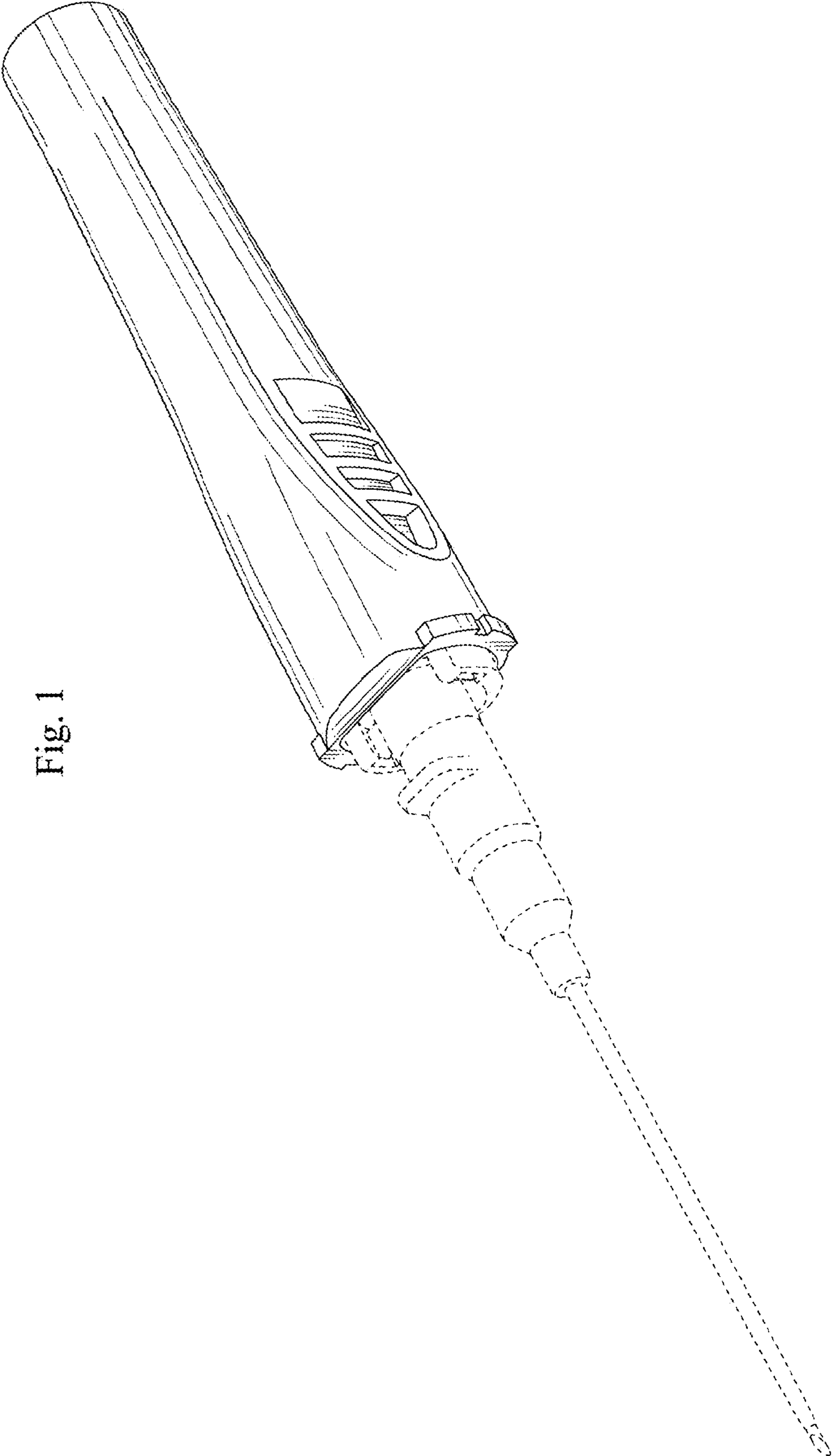


Fig. 1

Fig. 2

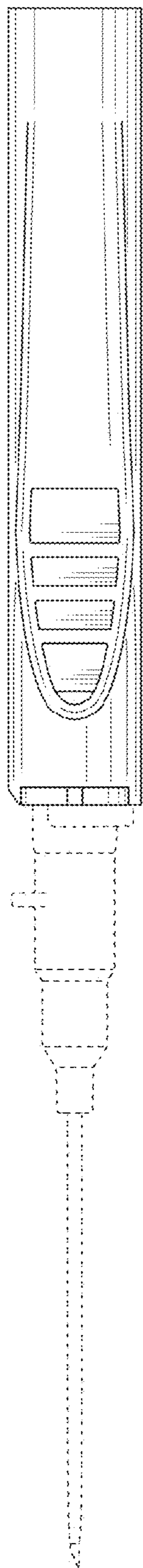


Fig. 3

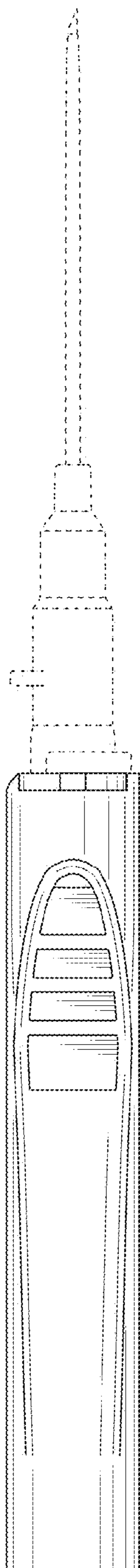


Fig. 4

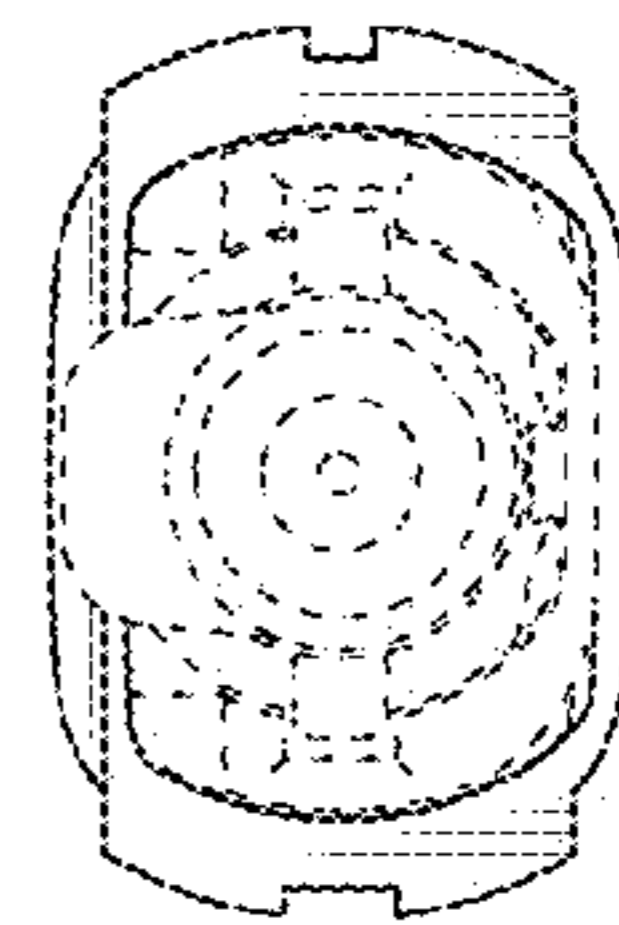


Fig. 5

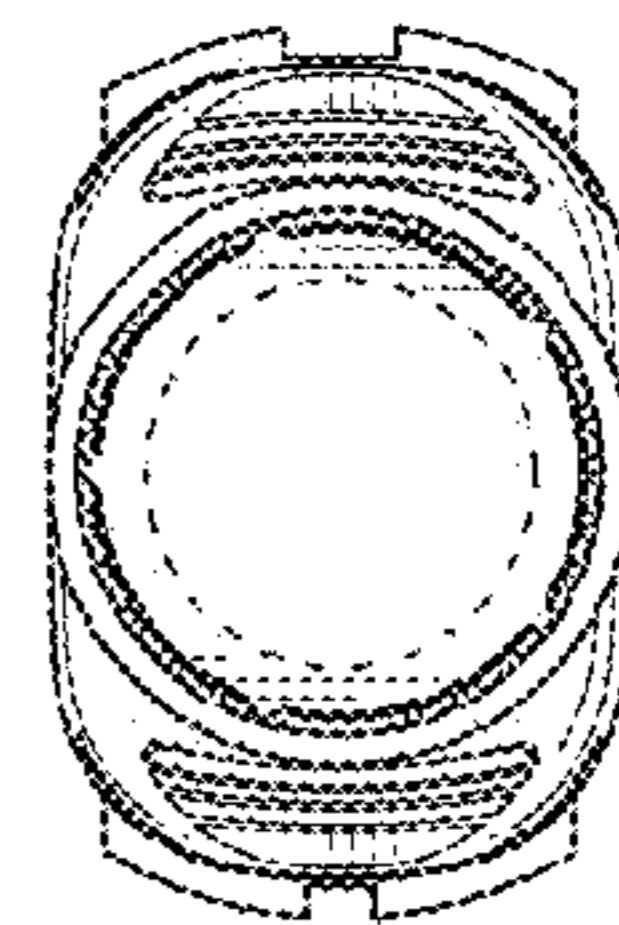


Fig. 6

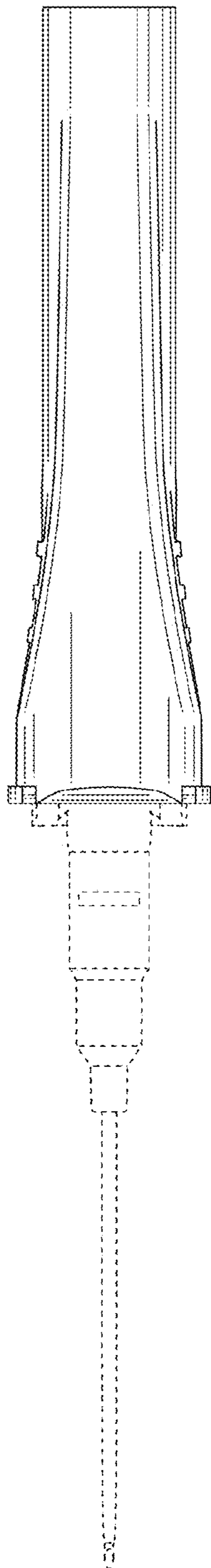
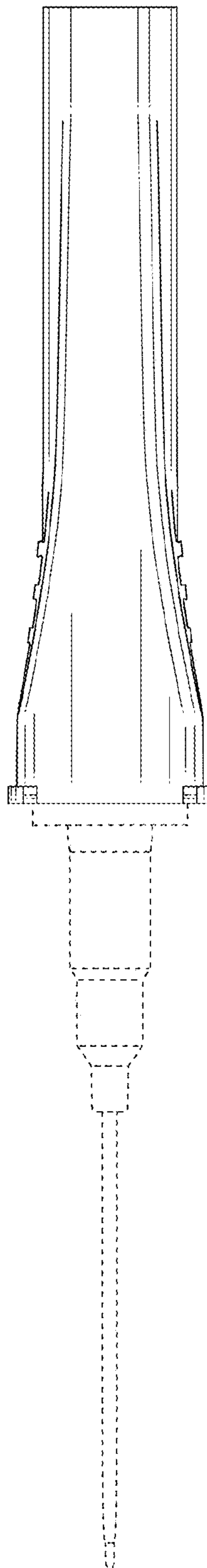


Fig. 7





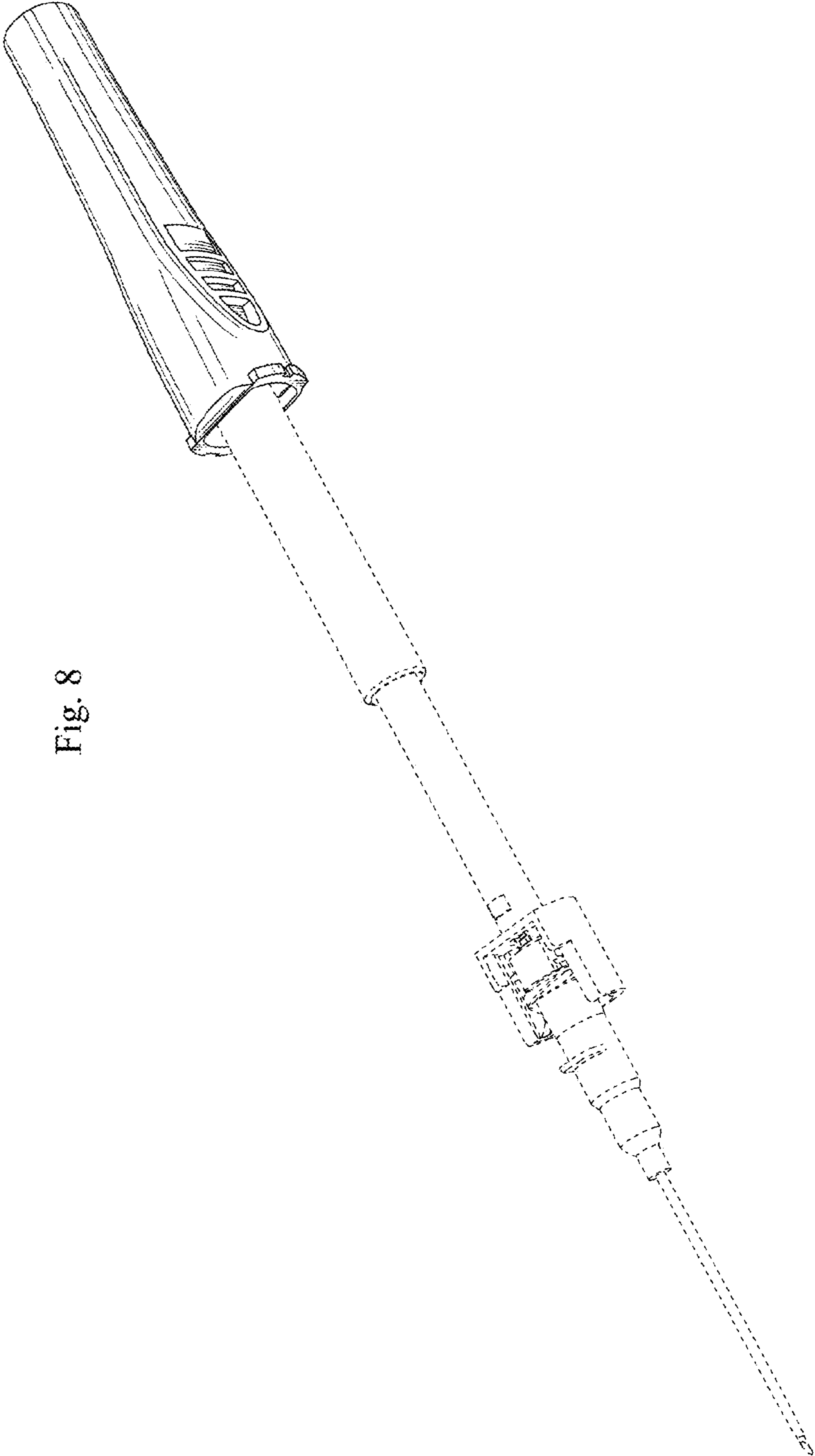
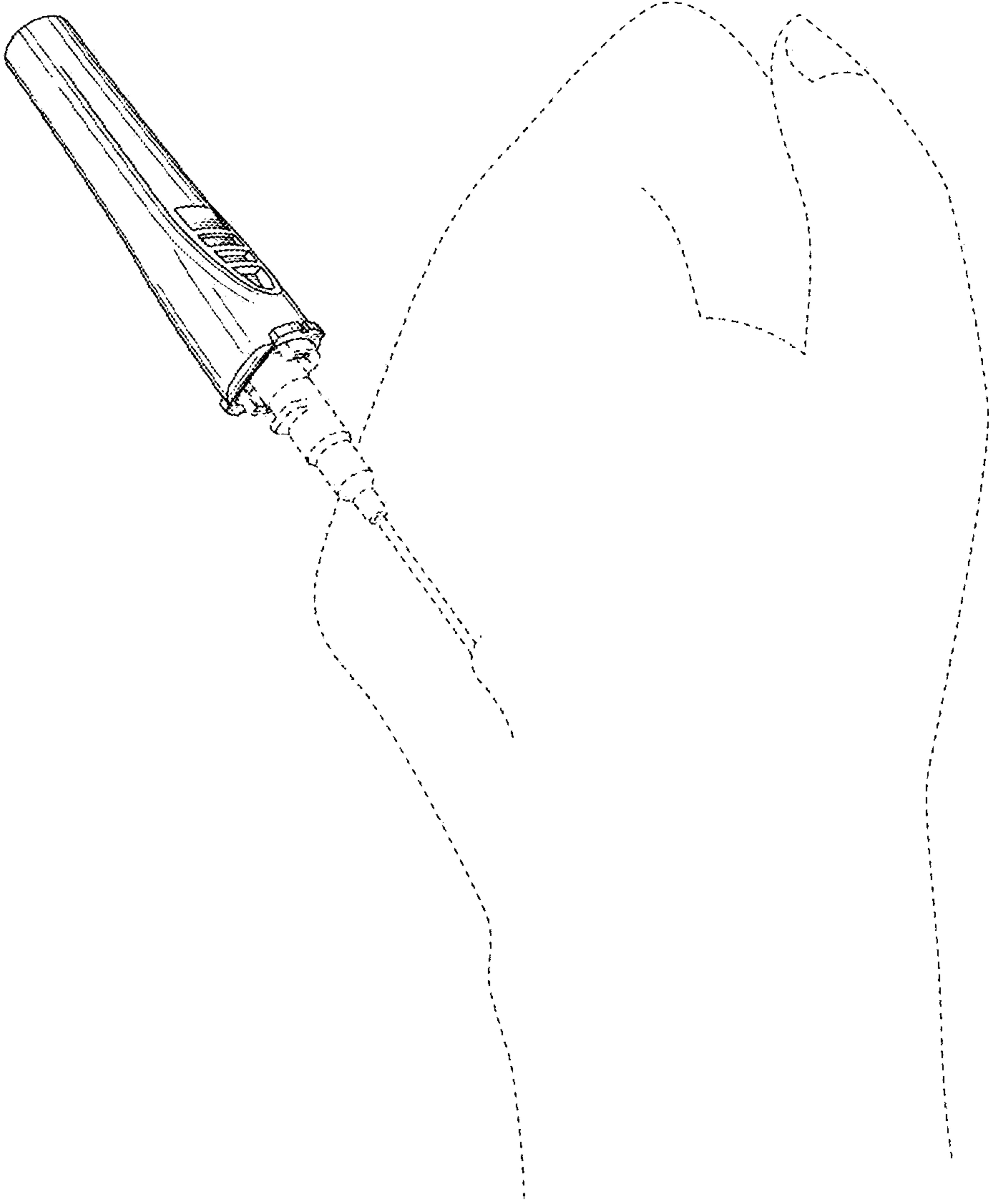


Fig. 8

Fig. 9



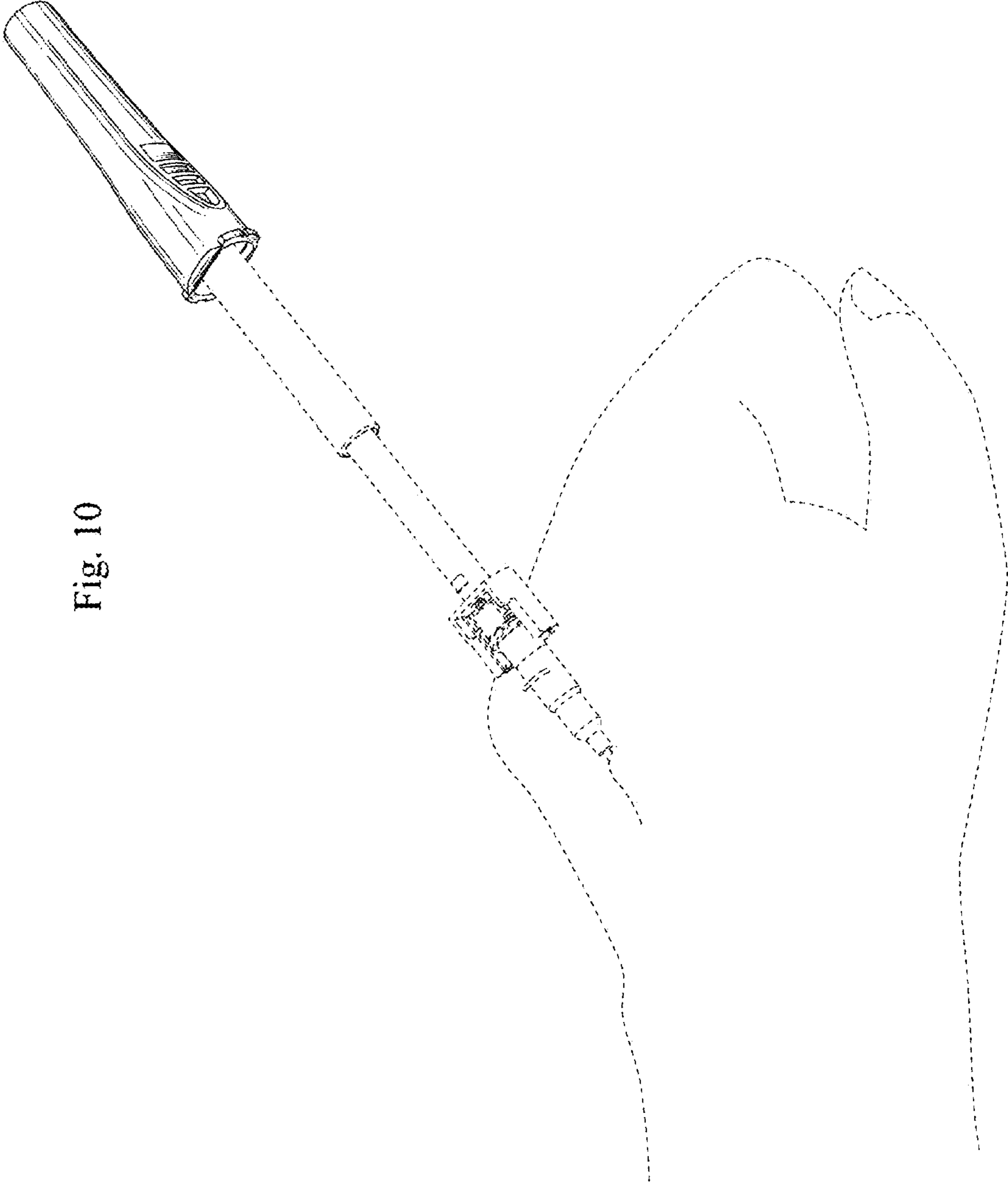


Fig. 10