



US00D752736S

(12) **United States Design Patent**
Chandrasenan et al.

(10) **Patent No.:** **US D752,736 S**
(45) **Date of Patent:** **** Mar. 29, 2016**

- (54) **INFUSION PUMP**
 - (71) Applicant: **Curlin Medical Inc.**, East Aurora, NY (US)
 - (72) Inventors: **Sreelal Chandrasenan**, San Diego, CA (US); **Christopher John Murray**, Philadelphia, PA (US)
 - (73) Assignee: **CURLIN MEDICAL INC.**, East Aurora, NY (US)
 - (**) Term: **14 Years**
 - (21) Appl. No.: **29/498,777**
 - (22) Filed: **Aug. 7, 2014**
 - (51) **LOC (10) Cl.** **29-02**
 - (52) **U.S. Cl.**
USPC **D24/111**
 - (58) **Field of Classification Search**
USPC D24/107, 108, 111, 188, 185
CPC . A61M 1/0088; A61M 1/0031; A61M 27/00;
A61M 1/0023; A61M 1/0001; A61M 1/009;
A61M 1/0096; A61M 1/0058; A61M 1/0066;
A61M 1/00
- See application file for complete search history.

- 7,632,249 B2 * 12/2009 Momeni A61M 5/14232
604/134
- D669,165 S * 10/2012 Estes D24/111
- D689,523 S * 9/2013 Galbraith D15/7
- D691,258 S * 10/2013 Estes D24/111
- D737,956 S * 9/2015 Marshall D24/111
- 2007/0098565 A1 * 5/2007 Parsee A61M 5/14228
417/44.1
- 2011/0137239 A1 * 6/2011 DeBelser A61M 5/14244
604/67
- 2015/0080842 A1 * 3/2015 Mathys A61M 5/1452
604/500
- 2015/0202382 A1 * 7/2015 Juretich A61M 5/5086
604/67
- 2015/0202383 A1 * 7/2015 Juretich A61M 5/5086
604/111
- 2015/0202384 A1 * 7/2015 Juretich A61M 5/5086
604/111
- 2015/0202385 A1 * 7/2015 Juretich A61M 5/5086
604/111

* cited by examiner

Primary Examiner — Barbara Fox
Assistant Examiner — Lilyana Bekic
(74) *Attorney, Agent, or Firm* — Hodgson Russ LLP

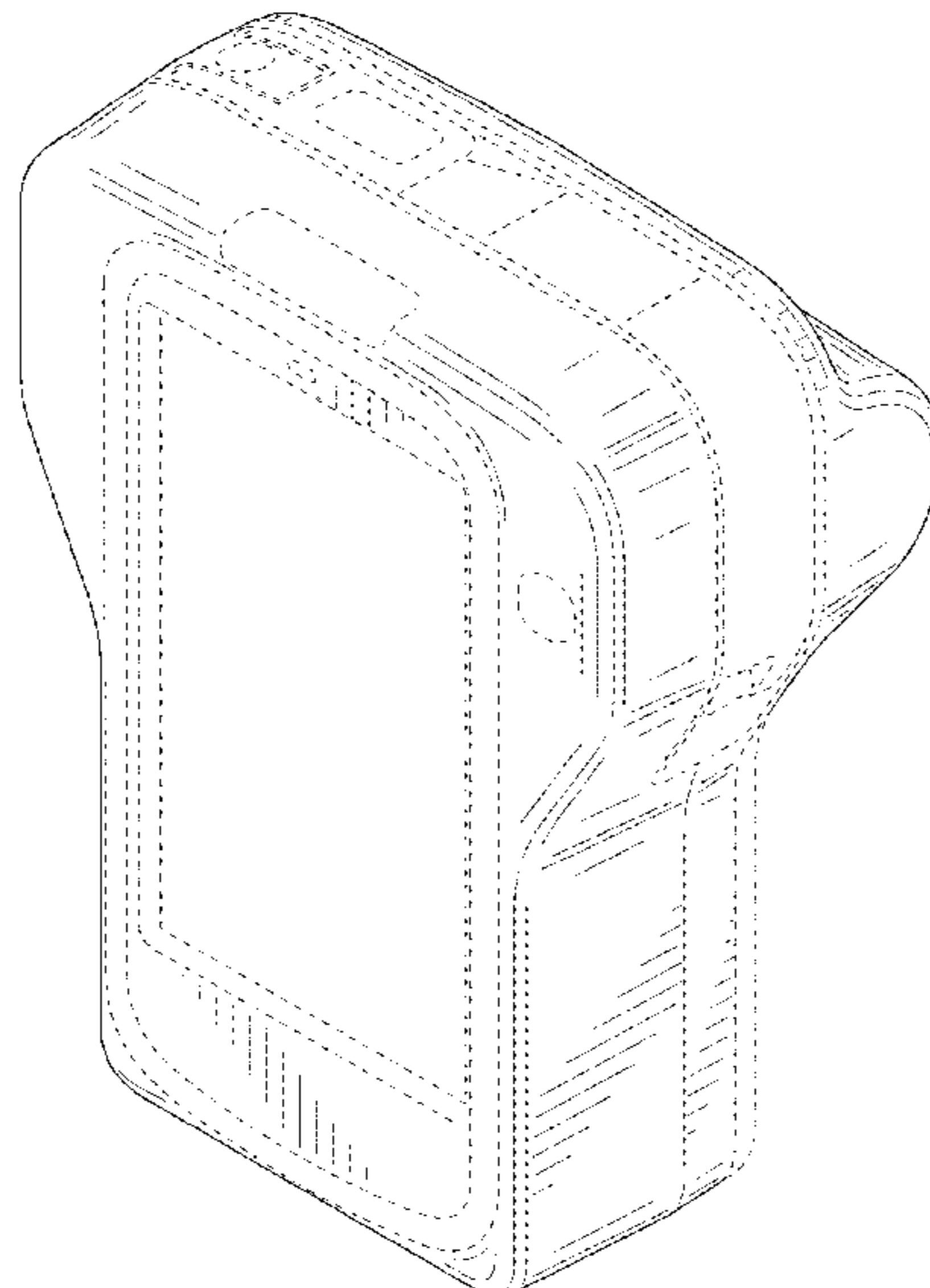
(57) **CLAIM**
The ornamental design for an infusion pump, as shown and described.

DESCRIPTION

FIG. 1 is a perspective view of an infusion pump showing our new design;
FIG. 2 a front view thereof;
FIG. 3 is a rear view thereof;
FIG. 4 is a left side view thereof;
FIG. 5 is a right side view thereof;
FIG. 6 is a top view thereof; and,
FIG. 7 is a bottom view thereof.
The broken lines in the drawings illustrate portions of the infusion pump which form no part of the claimed design.

1 Claim, 7 Drawing Sheets

- (56) **References Cited**
U.S. PATENT DOCUMENTS
- 5,628,619 A * 5/1997 Wilson A61M 5/14232
417/44.2
- D380,260 S * 6/1997 Hyman D24/111
- 5,683,367 A * 11/1997 Jordan A61M 5/172
128/DIG. 13
- D408,911 S * 4/1999 Moubayed D24/111
- 6,164,921 A * 12/2000 Moubayed A61M 5/14228
251/7
- 6,305,908 B1 * 10/2001 Hermann A61M 5/14244
417/234



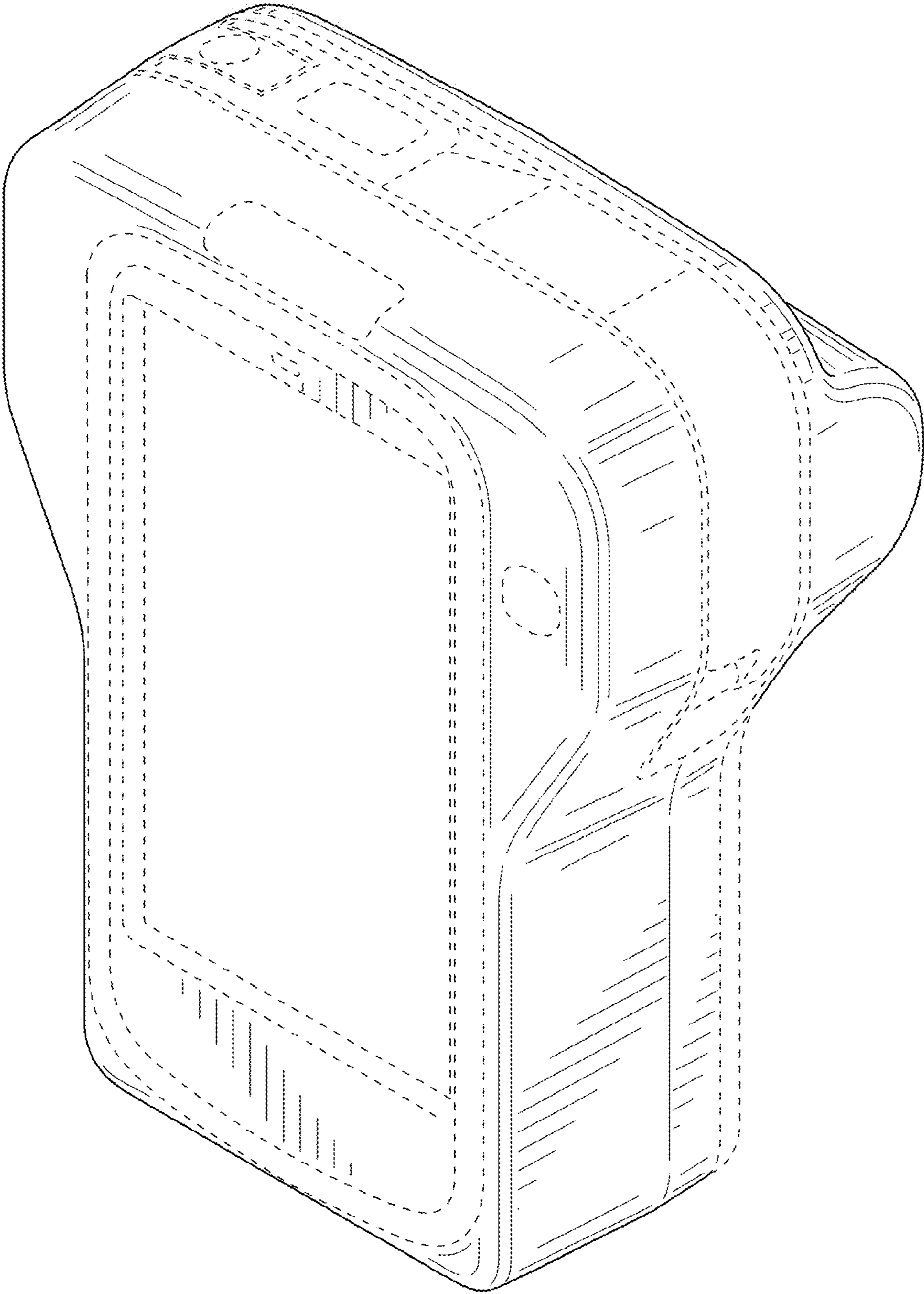


FIG. 1

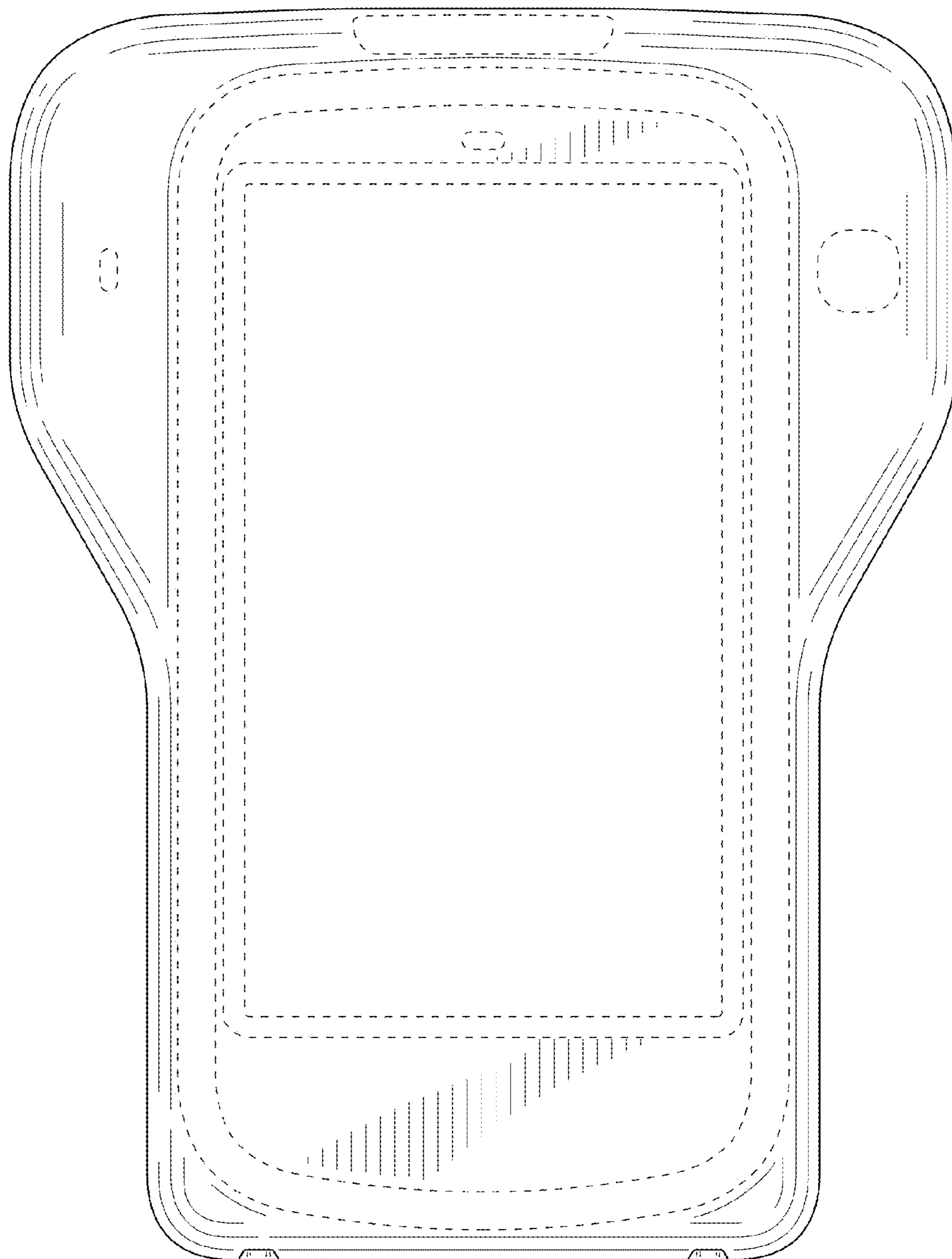


FIG. 2

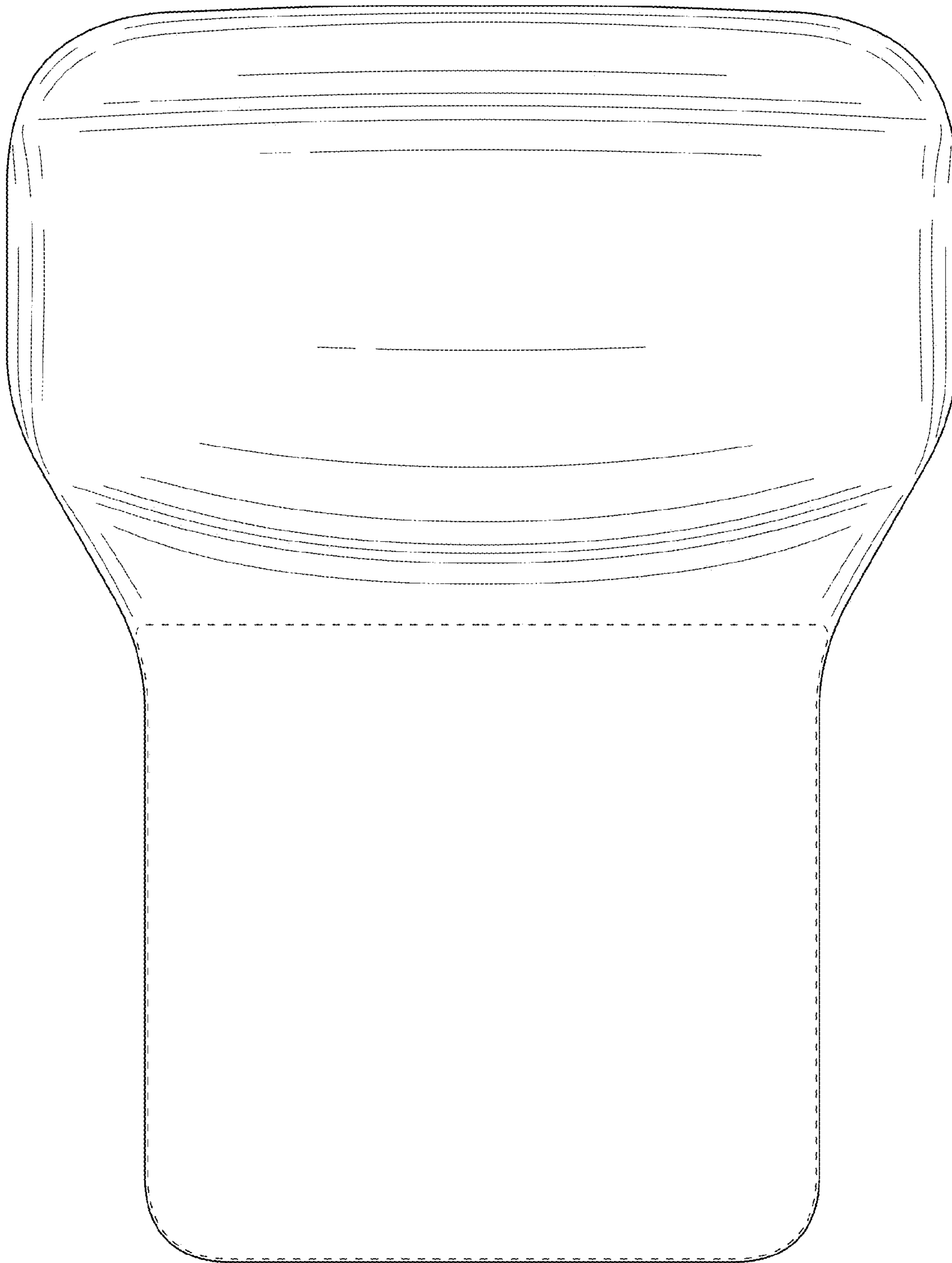


FIG. 3

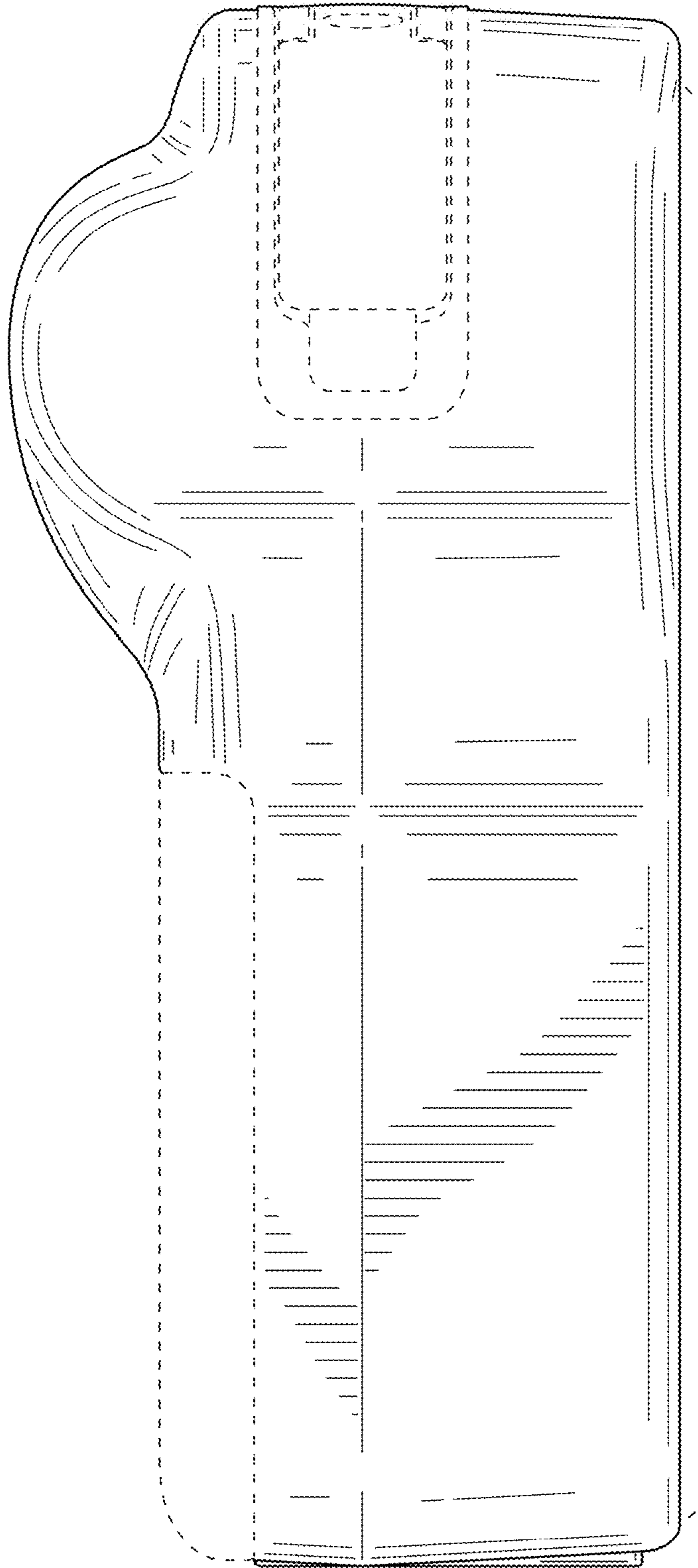


FIG. 4

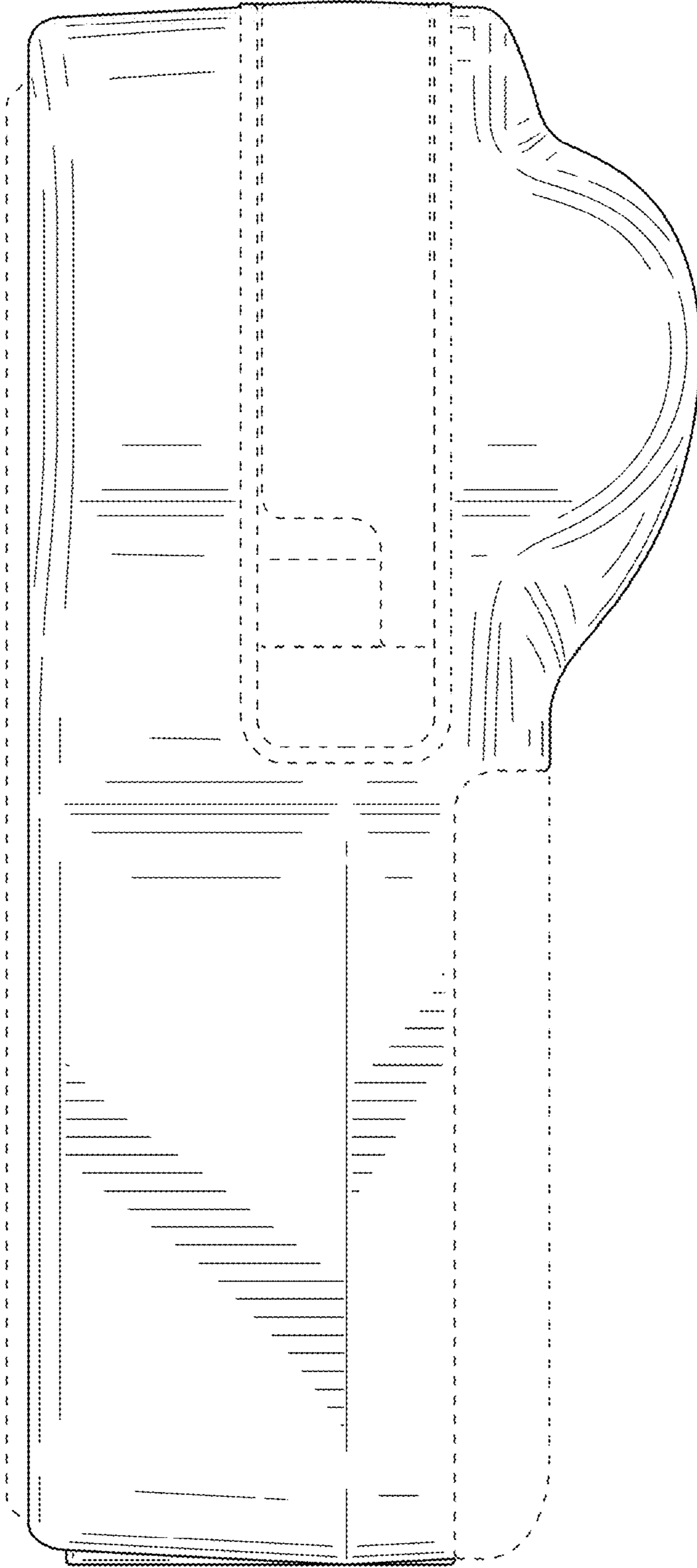


FIG. 5

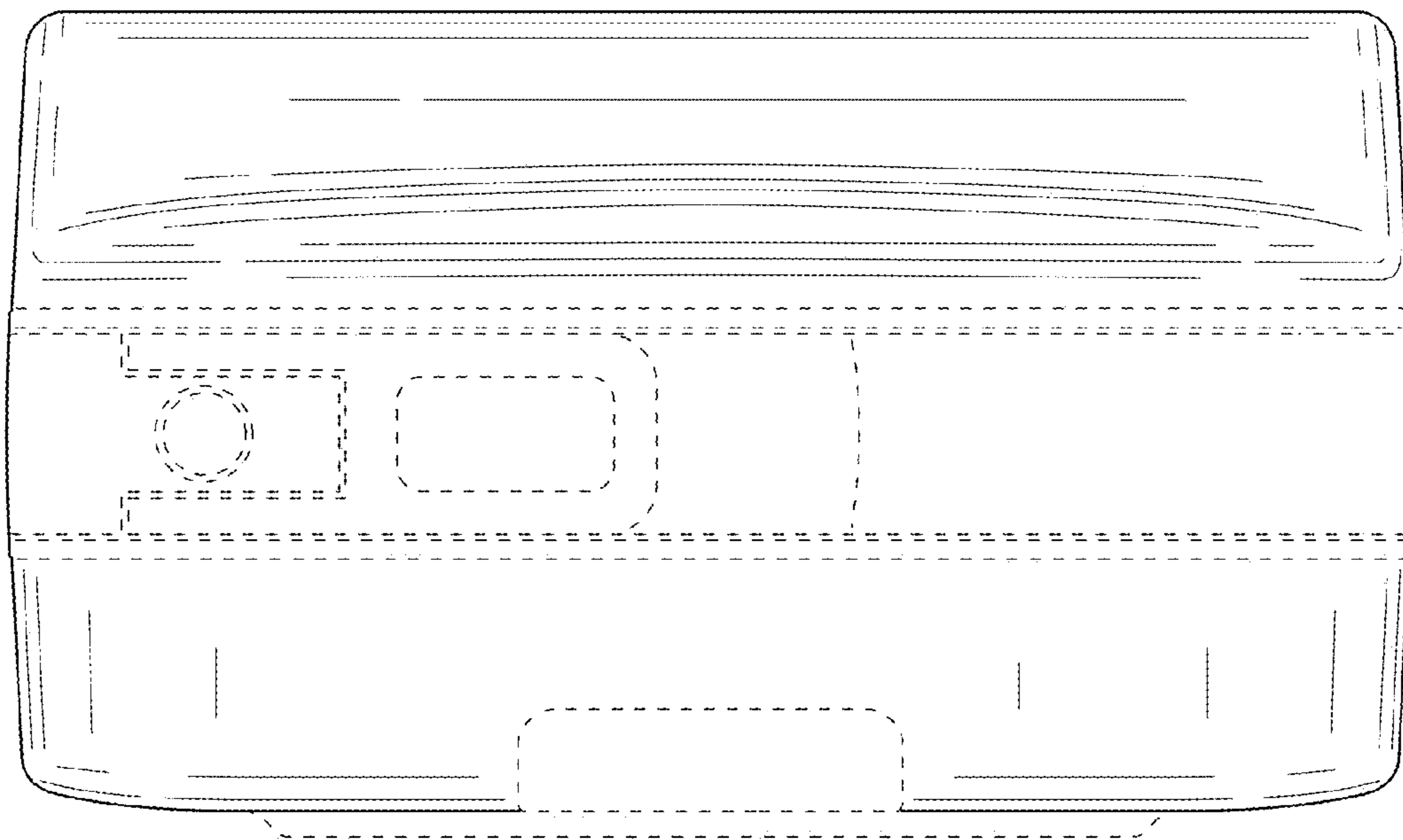


FIG. 6

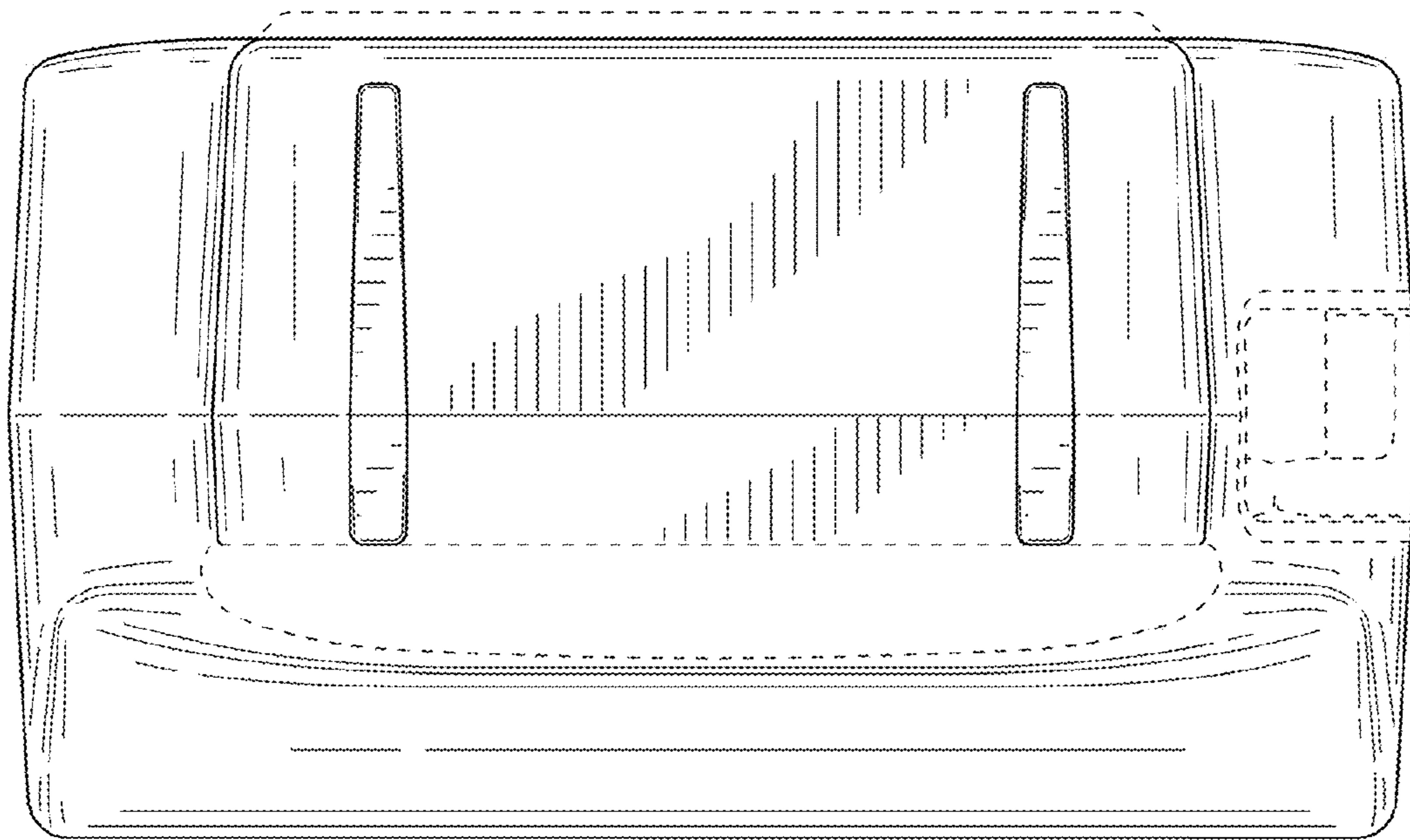


FIG. 7