



US00D752734S

(12) **United States Design Patent**  
**Plunkett et al.**

(10) **Patent No.:** **US D752,734 S**  
(45) **Date of Patent:** **\*\* Mar. 29, 2016**

- (54) **INHALER GRIP**
- (71) Applicant: **Civitas Therapeutics, Inc.**, Chelsea, MA (US)
- (72) Inventors: **Sean Plunkett**, Westborough, MA (US); **Jake P. Ganem**, Cape Neddick, ME (US); **Scott E. Ganem**, Cape Neddick, ME (US)
- (73) Assignee: **Civitas Therapeutics, Inc.**, Chelsea, MA (US)
- (\*\*) Term: **14 Years**
- (21) Appl. No.: **29/484,451**
- (22) Filed: **Mar. 10, 2014**
- (51) **LOC (10) Cl.** ..... **29-02**
- (52) **U.S. Cl.**  
USPC ..... **D24/110**
- (58) **Field of Classification Search**  
USPC ..... D24/107, 108, 110, 111–114, 127, 164; D19/161–163, 168, 174; D4/100–104, D4/109–113, 117–118, 129, 138; D10/57, D10/60; D14/411; D8/107, 303  
CPC ..... A61M 15/0065; A61M 15/0091; A61M 15/0021; A61M 15/0026; A61M 15/00; A61M 11/00; A61M 11/02; A61M 11/04  
See application file for complete search history.

- 3,971,377 A 7/1976 Damani
- 4,069,819 A 1/1978 Valentini et al.
- 4,137,914 A 2/1979 Wetterlin
- D262,320 S 12/1981 Mono
- 4,338,931 A 7/1982 Cavazza

(Continued)

**FOREIGN PATENT DOCUMENTS**

- JP 09262295 A 10/1997
- JP 2009148506 A 7/2009
- WO WO-03/080163 A1 10/2003

**OTHER PUBLICATIONS**

International Search Report and Written Opinion for International Application No. PCT/US2013/072769, mailed Jun. 18, 2014, 15 pages.

(Continued)

*Primary Examiner* — Barbara Fox  
*Assistant Examiner* — Lilyana Bekic  
(74) *Attorney, Agent, or Firm* — Goodwin Procter LLP

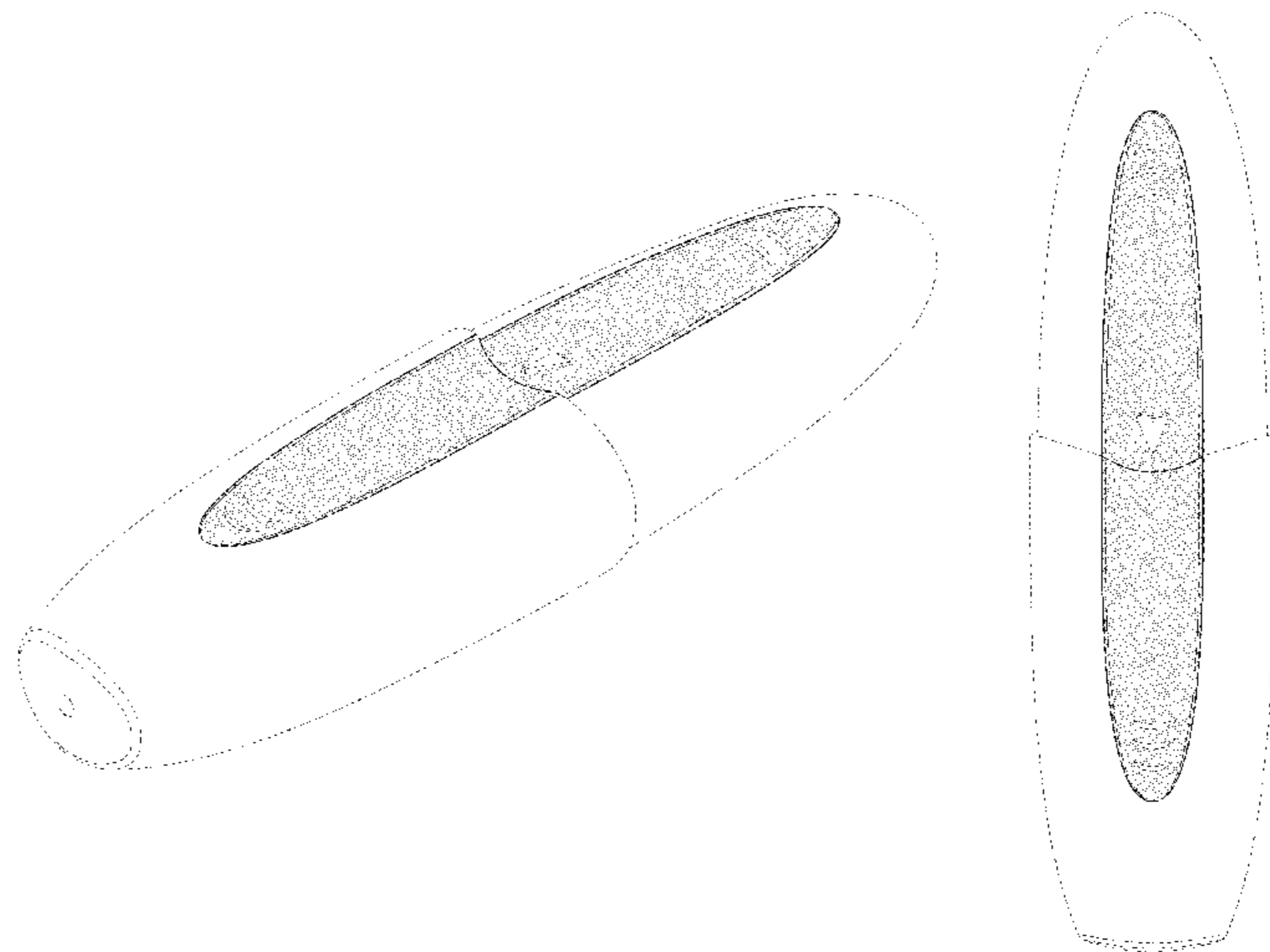
(57) **CLAIM**  
The ornamental design for an inhaler grip, as shown and described.

**DESCRIPTION**

FIG. 1 is a front perspective view of an inhaler grip showing our new design;  
FIG. 2 is a front view thereof;  
FIG. 3 is a rear view thereof;  
FIG. 4 is a right side view thereof;  
FIG. 5 is a left side view thereof;  
FIG. 6 is a top view thereof;  
FIG. 7 is a bottom view thereof; and,  
FIG. 8 is a rear perspective view thereof.  
The broken line showing of the inhaler illustrates the environment of the inhaler grip and forms no part of the claimed design.

**1 Claim, 5 Drawing Sheets**

- (56) **References Cited**  
**U.S. PATENT DOCUMENTS**  
1,657,450 A \* 1/1928 Barnes ..... A46B 9/04  
132/308  
2,517,482 A 8/1950 Hall  
2,946,332 A 7/1960 Sacks  
3,518,992 A 7/1970 Coiling et al.  
D223,795 S \* 6/1972 Covey ..... D8/107  
3,906,950 A 9/1975 Cocozza  
3,921,637 A 11/1975 Bennie et al.  
3,927,195 A 12/1975 Messoria



(56)

## References Cited

## U.S. PATENT DOCUMENTS

- D278,593 S \* 4/1985 MacGregor ..... D8/107  
D290,065 S \* 6/1987 Battaglia ..... D28/25  
D304,840 S \* 11/1989 Mizutani ..... D19/163  
4,884,565 A 12/1989 Cocozza  
4,995,385 A 2/1991 Valentini et al.  
5,048,514 A 9/1991 Ramella  
D327,016 S 6/1992 Leuenberger  
D334,845 S \* 4/1993 Ricciareli ..... D4/138  
D341,837 S 11/1993 Curbbun  
D341,838 S 11/1993 Kasch et al.  
5,263,475 A 11/1993 Altermatt et al.  
D345,376 S \* 3/1994 Underwood, Jr. .... D19/162  
D349,193 S \* 8/1994 Sloan ..... D32/42  
D350,851 S \* 9/1994 Spence, Jr. .... D24/200  
D367,962 S \* 3/1996 Leslie ..... D4/138  
5,522,383 A 6/1996 Calvert et al.  
D380,544 S 7/1997 Sandock  
5,673,686 A 10/1997 Villax et al.  
D389,862 S \* 1/1998 Imagawa ..... D19/163  
5,810,004 A 9/1998 Ohki et al.  
5,852,414 A 12/1998 Yu et al.  
D404,304 S 1/1999 Kick  
D405,704 S \* 2/1999 Gordon ..... D10/57  
D406,847 S 3/1999 Gerba et al.  
5,899,202 A 5/1999 Ohki et al.  
5,901,703 A 5/1999 Ohki et al.  
5,921,236 A 7/1999 Ohki et al.  
5,989,217 A 11/1999 Ohki et al.  
D419,448 S 1/2000 Kick  
D420,804 S \* 2/2000 Juhlin ..... D4/104  
D421,925 S \* 3/2000 Lin ..... D10/57  
6,092,522 A 7/2000 Calvert et al.  
D429,153 S 8/2000 Gabriel et al.  
6,164,853 A 12/2000 Foote  
D436,996 S \* 1/2001 Izushima ..... D19/174  
D438,111 S 2/2001 Woods  
6,186,141 B1 2/2001 Pike et al.  
D447,707 S \* 9/2001 Kobayashi ..... D10/57  
D451,497 S 12/2001 Wang et al.  
D451,597 S \* 12/2001 Suh ..... D24/108  
D465,715 S \* 11/2002 Chiang ..... D8/107  
D465,805 S \* 11/2002 Hu ..... D14/411  
D467,175 S 12/2002 Morgan  
D467,176 S 12/2002 Morgan  
D475,026 S 5/2003 Buczek et al.  
D479,598 S 9/2003 Tyce  
D479,600 S \* 9/2003 Bainton ..... D24/112  
D479,746 S 9/2003 Tyce  
D485,827 S 1/2004 Olson et al.  
D486,226 S 2/2004 Guney et al.  
6,705,313 B2 3/2004 Niccolai  
D490,151 S \* 5/2004 Hawley ..... D19/164  
D490,343 S 5/2004 Guney et al.  
6,732,732 B2 5/2004 Edwards et al.  
D491,224 S \* 6/2004 Hsieh ..... D19/174  
D492,992 S 7/2004 Guney et al.  
6,766,799 B2 7/2004 Edwards et al.  
D493,885 S 8/2004 Raje et al.  
D496,005 S 9/2004 Wang  
D498,747 S 11/2004 Lin  
D498,790 S \* 11/2004 Shova ..... D19/163  
D499,485 S \* 12/2004 Tyce ..... D19/164  
D500,706 S 1/2005 Guney et al.  
D501,224 S \* 1/2005 Pan ..... D19/174  
D501,724 S \* 2/2005 Li ..... D4/104  
D504,464 S \* 4/2005 Martzloff ..... D19/163  
D508,077 S \* 8/2005 Bhavnani ..... D14/411  
D508,530 S \* 8/2005 Qiu ..... D19/174  
D510,911 S \* 10/2005 Jeal ..... D13/156  
D515,204 S 2/2006 Guney et al.  
D520,059 S \* 5/2006 Shibata ..... D19/174  
D525,511 S \* 7/2006 Hung ..... D8/107  
D533,428 S \* 12/2006 Tsai ..... D8/107  
7,146,978 B2 12/2006 Edwards et al.  
D542,620 S \* 5/2007 Thompson ..... D8/107  
D545,438 S 6/2007 Huang et al.  
7,278,425 B2 10/2007 Edwards et al.  
7,284,553 B2 10/2007 Hochrainer  
D563,798 S 3/2008 Gibson et al.  
D568,988 S \* 5/2008 Galbraith ..... D24/112  
D581,461 S \* 11/2008 Li ..... D19/163  
D585,491 S \* 1/2009 Booker ..... D19/174  
D597,598 S \* 8/2009 Ma ..... D19/163  
D603,899 S \* 11/2009 Suero, Jr. .... D19/174  
D604,362 S \* 11/2009 Suero, Jr. .... D19/174  
D611,321 S \* 3/2010 Boies ..... D12/176  
D612,486 S \* 3/2010 Van der Stappen ..... D24/113  
7,669,596 B2 3/2010 Alston  
D613,741 S \* 4/2010 Swan ..... D14/411  
D618,789 S \* 6/2010 Sanders ..... D24/113  
D620,106 S \* 7/2010 Van der Stappen ..... D24/113  
D621,160 S \* 8/2010 Ballmaier ..... D4/104  
D621,500 S \* 8/2010 Sanders ..... D24/113  
D623,225 S \* 9/2010 Ryan ..... D19/174  
7,832,399 B2 11/2010 Ganem et al.  
D629,504 S 12/2010 Zuyderhoudt  
D629,507 S 12/2010 Zuyderhoudt  
D629,508 S 12/2010 Zuyderhoudt  
D629,889 S 12/2010 Zuyderhoudt  
7,870,856 B2 1/2011 Boeck  
7,954,491 B2 6/2011 Hrkach  
D641,077 S \* 7/2011 Sanders ..... D24/113  
D641,735 S 7/2011 Santa Maria et al.  
D651,305 S \* 12/2011 Hawley ..... D24/113  
D652,136 S \* 1/2012 Hawley ..... D24/113  
D660,002 S \* 5/2012 Smigel ..... D4/104  
D660,411 S 5/2012 Zuyderhoudt  
D670,760 S \* 11/2012 Papenfuß ..... D19/163  
D674,440 S \* 1/2013 Papenfuß ..... D19/163  
8,357,114 B2 \* 1/2013 Poutiatine ..... A61J 7/0038  
604/59  
D680,972 S 4/2013 Hunter et al.  
D688,214 S 8/2013 Ducret et al.  
D694,237 S \* 11/2013 Momose ..... D14/411  
D695,394 S 12/2013 Takemoto et al.  
D696,775 S \* 12/2013 Guarraia ..... D24/113  
D698,553 S \* 2/2014 Evans ..... D4/104  
D699,224 S 2/2014 Diamond  
D699,287 S \* 2/2014 Lv ..... D19/163  
8,753,308 B2 \* 6/2014 Palmer ..... A61J 7/0053  
604/57  
D715,125 S \* 10/2014 Hung ..... D8/107  
D719,935 S 12/2014 Diamond  
D725,606 S 3/2015 Eastman et al.  
D733,517 S \* 7/2015 Constantine ..... D8/107  
2002/0073996 A1 6/2002 O'Leary  
2003/0150453 A1 8/2003 Edwards et al.  
2004/0069798 A1 \* 4/2004 Grey ..... A61J 7/0481  
222/52  
2004/0112384 A1 6/2004 Lithgow et al.  
2004/0118406 A1 6/2004 Lithgow et al.  
2004/0216738 A1 11/2004 Edwards et al.  
2004/0224768 A1 11/2004 Hussaini et al.  
2005/0000518 A1 1/2005 Dunkley et al.  
2005/0022812 A1 \* 2/2005 Hrkach ..... A61K 9/0075  
128/203.15  
2005/0056280 A1 3/2005 Alston et al.  
2005/0150488 A1 \* 7/2005 Dave ..... A61J 7/0481  
128/200.14  
2006/0157491 A1 \* 7/2006 Whittle ..... A61J 7/04  
221/9  
2006/0254583 A1 11/2006 Deboeck et al.  
2007/0186923 A1 \* 8/2007 Poutiatine ..... A61J 7/0038  
128/200.14  
2007/0221216 A1 9/2007 Ganem et al.  
2008/0314383 A1 12/2008 Barney et al.  
2009/0000619 A1 1/2009 Gradon et al.  
2009/0025721 A1 1/2009 Ellwanger et al.  
2009/0032427 A1 2/2009 Cheu et al.  
2010/0108062 A1 5/2010 Ganem et al.  
2010/0175696 A1 7/2010 Ishizeki et al.  
2010/0300440 A1 12/2010 Deboeck et al.  
2011/0220106 A1 9/2011 Ganem et al.  
2011/0277752 A1 11/2011 Cheu et al.



(56)

**References Cited**

**OTHER PUBLICATIONS**

U.S. PATENT DOCUMENTS

2011/0283997 A1 11/2011 Walsh et al.  
2012/0111325 A1 5/2012 Hrkach  
2013/0065321 A1 3/2013 Nazareth et al.  
2013/0217136 A1 8/2013 Nazareth et al.  
2014/0150787 A1\* 6/2014 Ellwanger ..... A61M 15/0028  
128/203.15  
2015/0099726 A1 4/2015 Dalvi et al.  
2015/0238715 A1 8/2015 Walsh et al.

Invitation to Pay Additional Fees and, Where Applicable Protest Fees  
for International Application No. PCT/US2013/072769, mailed Mar.  
21, 2014, 5 pages.  
\* cited by examiner

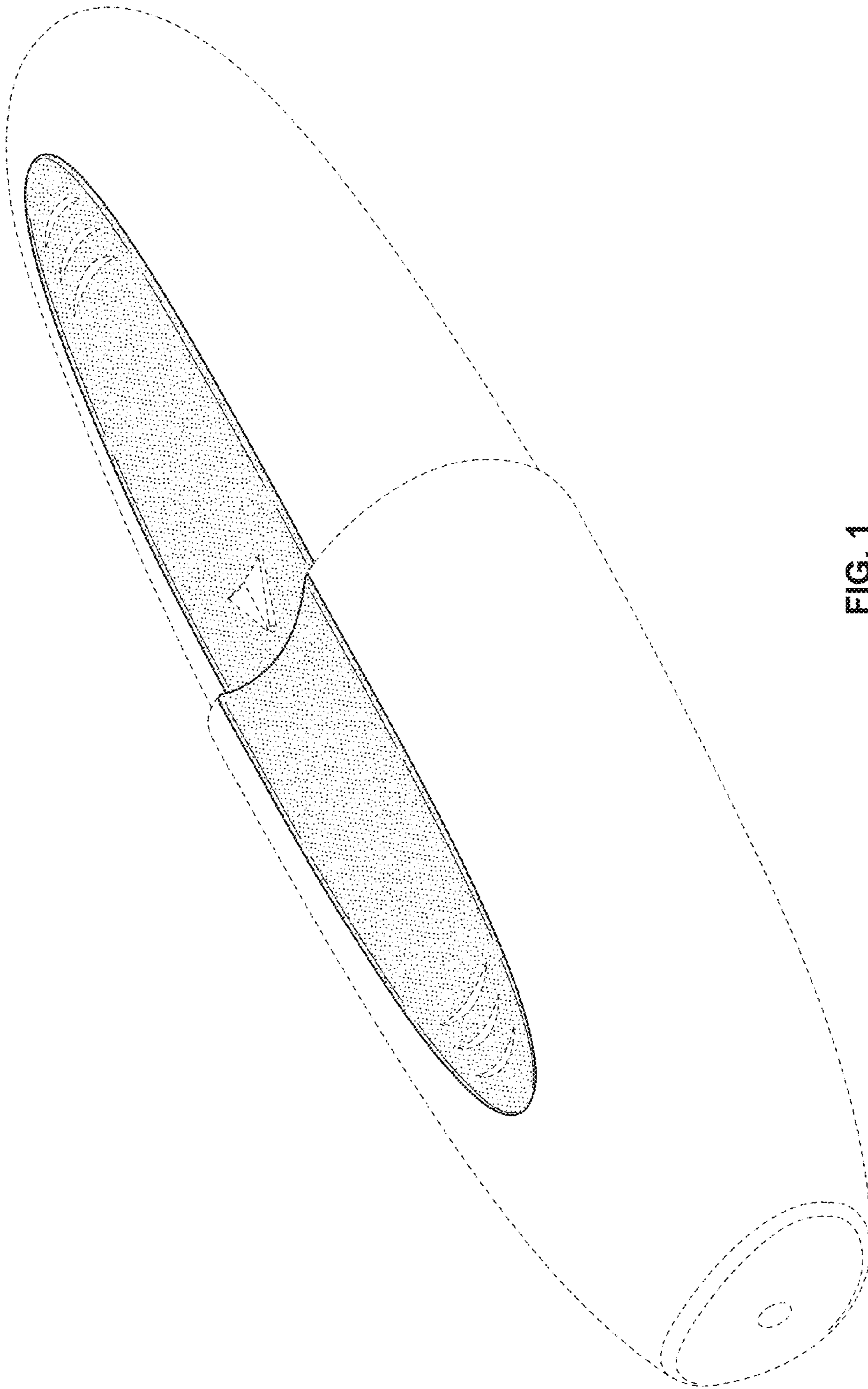


FIG. 1

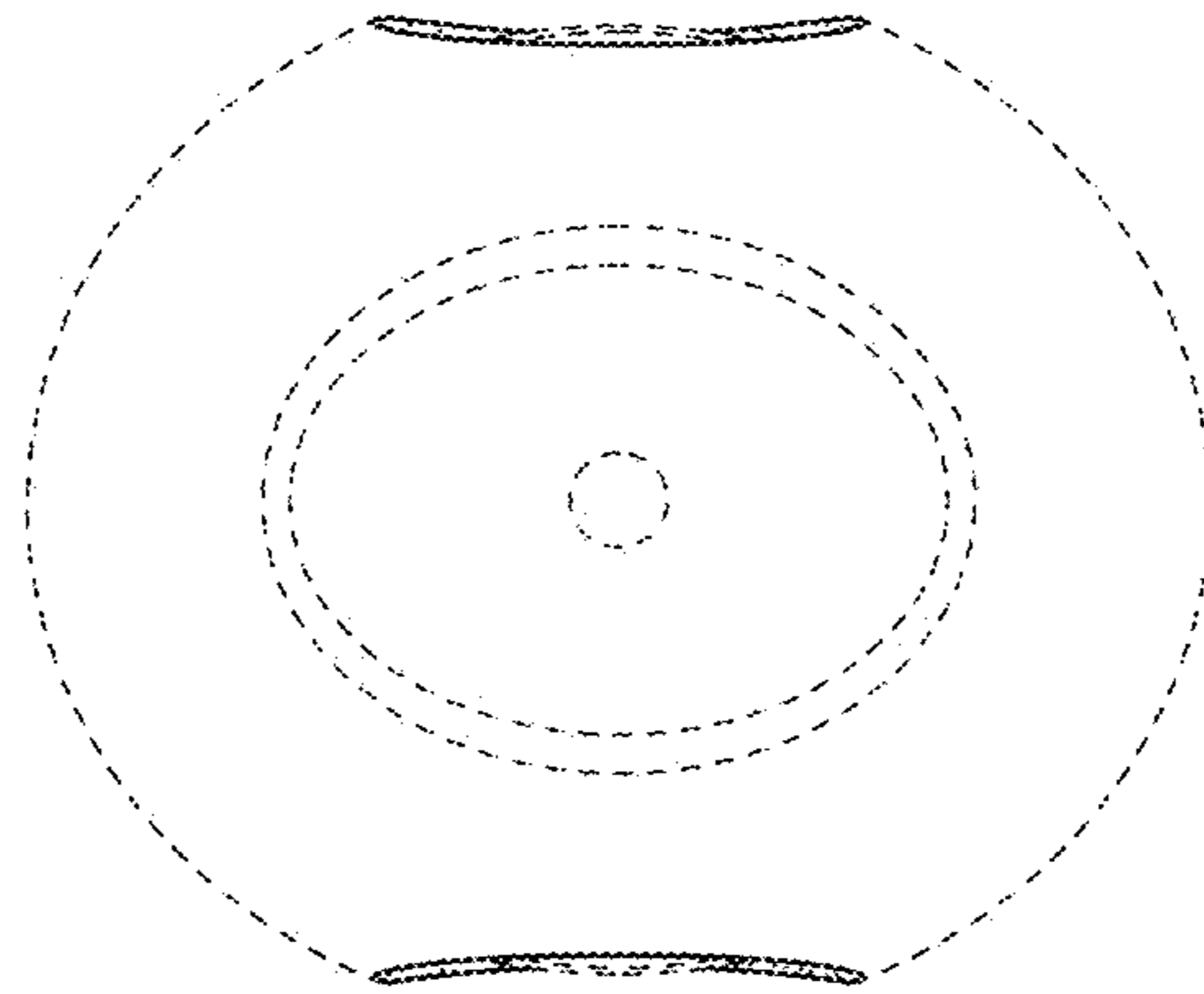


FIG. 2

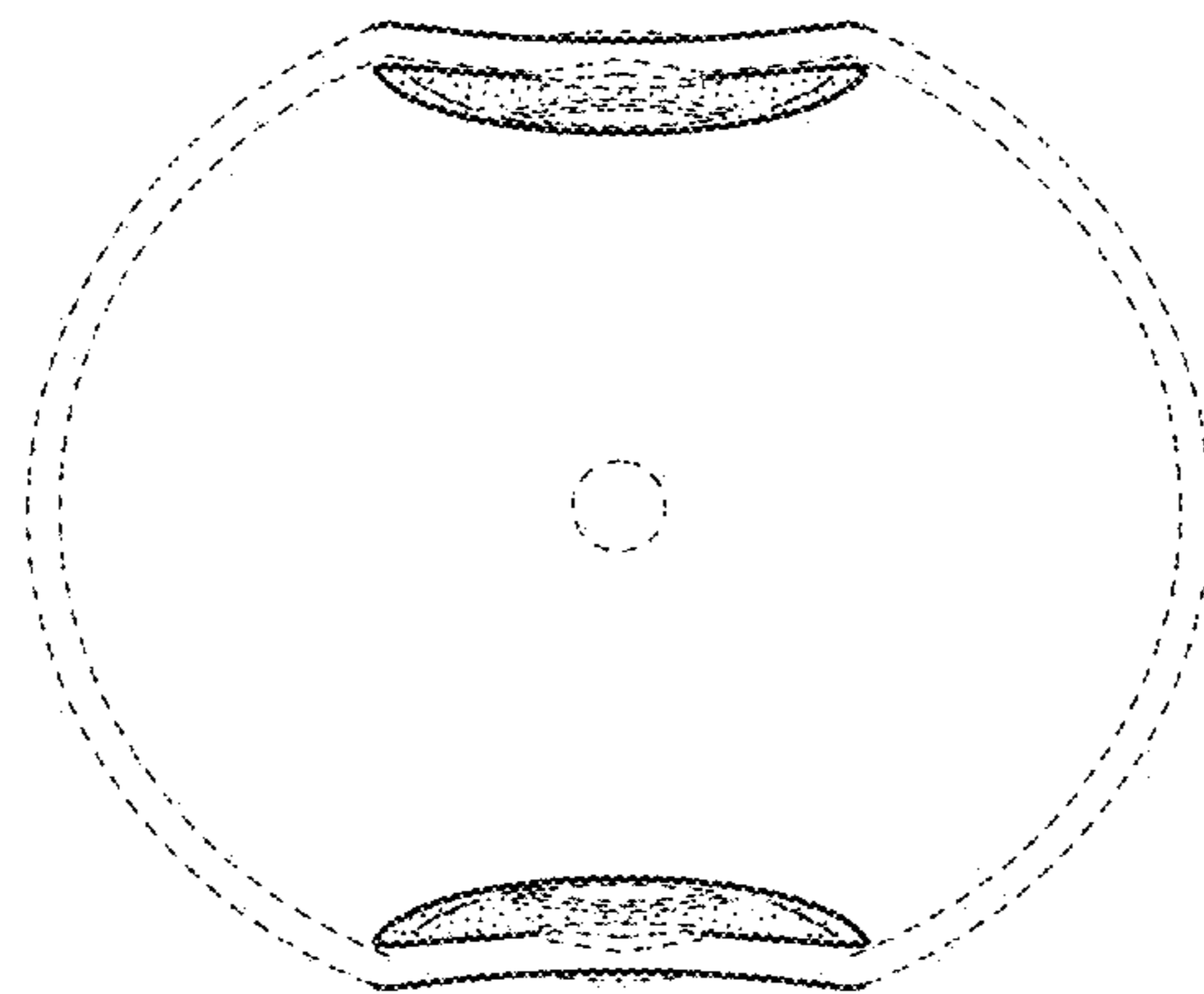


FIG. 3

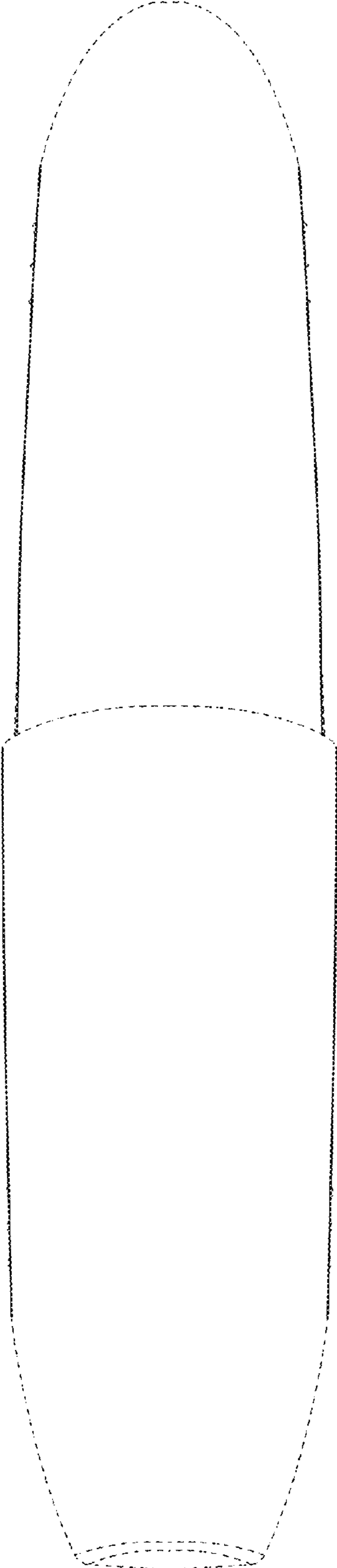


FIG. 4

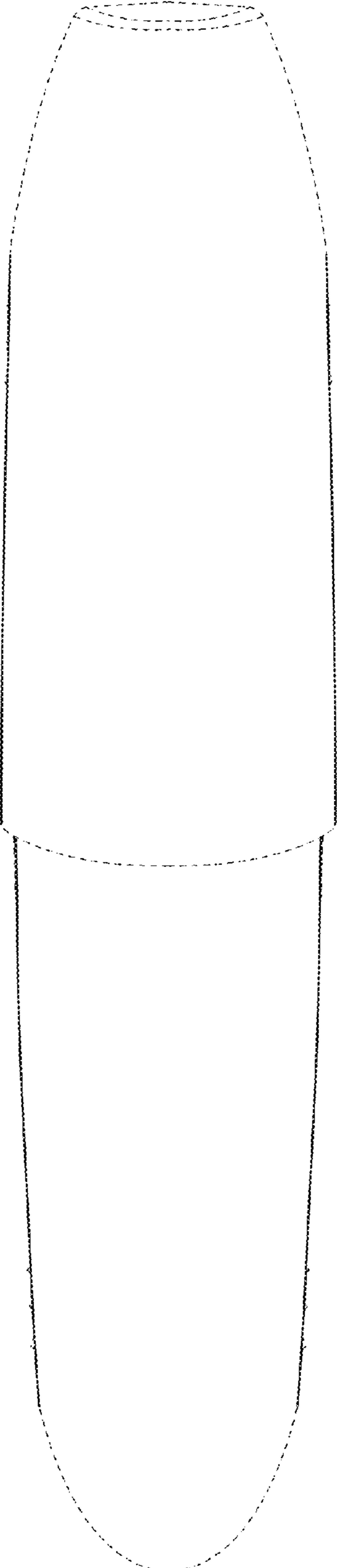


FIG. 5

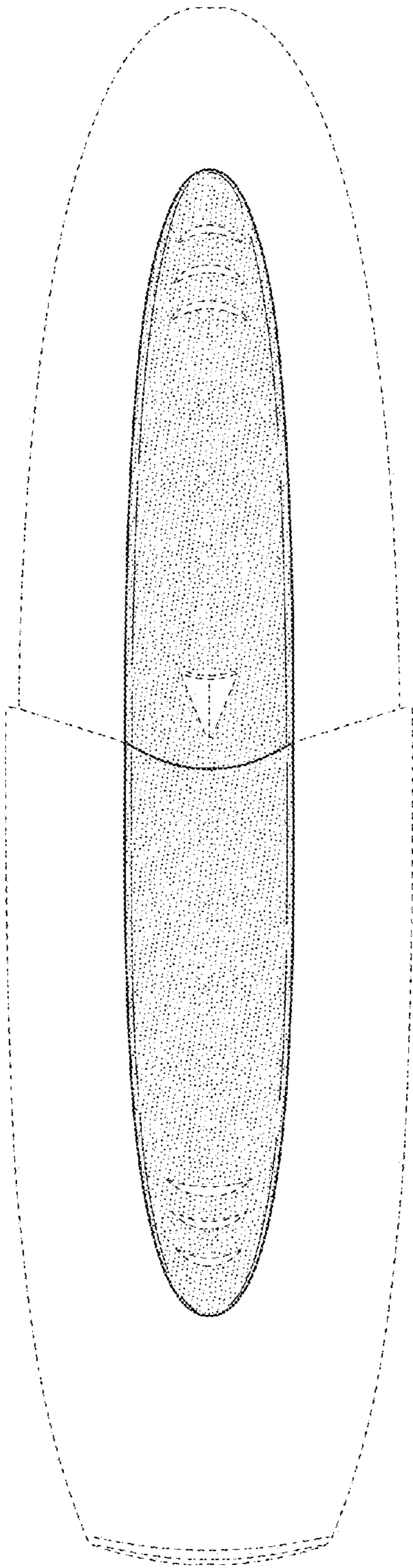


FIG. 6

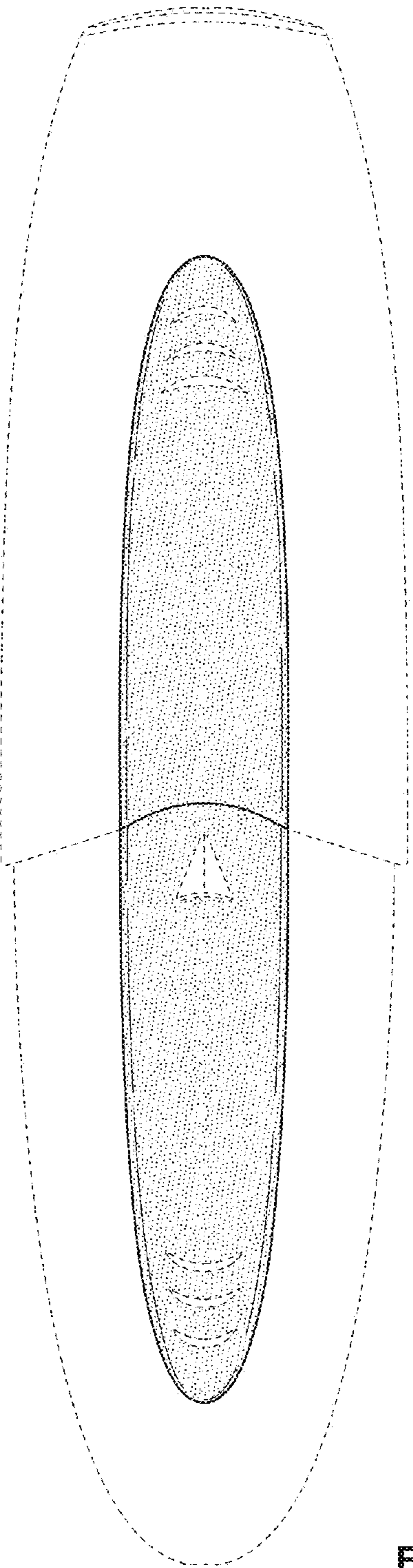


FIG. 7

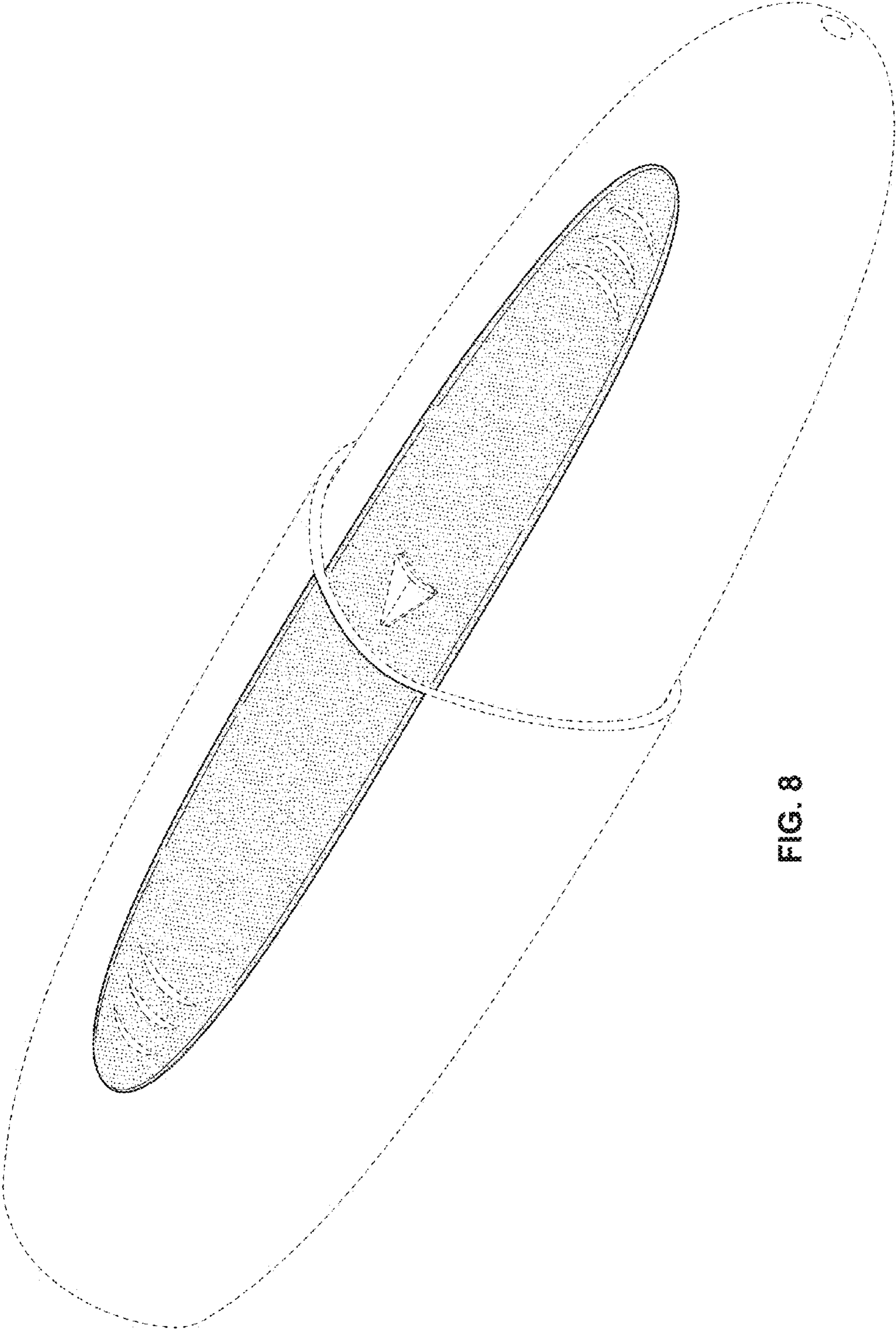


FIG. 8