



US00D752730S

(12) **United States Design Patent**  
**Loubiere et al.**

(10) **Patent No.:** **US D752,730 S**  
(45) **Date of Patent:** **\*\* \*Mar. 29, 2016**

(54) **LIQUID DISPENSER**

(71) Applicant: **CEVA SANTE ANIMALE**, Libourne (FR)

(72) Inventors: **Marie Laure Loubiere**, Bordeaux (FR);  
**Benedicte Deminiere**, Saint Denis de Pile (FR)

(73) Assignee: **CEVA SANTE ANIMALE**, Libourne (FR)

(\*) Notice: This patent is subject to a terminal disclaimer.

(\*\*) Term: **14 Years**

(21) Appl. No.: **29/494,658**

(22) Filed: **Jun. 23, 2014**

(51) **LOC (10) Cl.** ..... **28-99**

(52) **U.S. Cl.**  
USPC ..... **D23/366**

(58) **Field of Classification Search**  
USPC ..... D23/355–369; D28/5, 6; 261/DIG. 17,  
261/DIG. 42, DIG. 65, DIG. 88, DIG. 89;  
392/386, 390, 394, 395; 239/34, 44,  
239/53, 55, 56, 326

See application file for complete search history.

(56) **References Cited**

U.S. PATENT DOCUMENTS

4,467,177	A *	8/1984	Zobe	.....	392/392
D461,885	S *	8/2002	Jordi	.....	D23/366
D489,123	S *	4/2004	Basaganas Millan	.....	D23/366
D516,691	S *	3/2006	Caserta et al.	.....	D23/366
D520,128	S *	5/2006	Caserta et al.	.....	D23/366
D539,407	S *	3/2007	Zobe	.....	D23/366
D540,931	S *	4/2007	Luo	.....	D23/366
D544,950	S *	6/2007	Zobe	.....	D23/366
D587,362	S *	2/2009	Weggelaar	.....	D23/366
D612,472	S *	3/2010	Rossi	.....	D23/366
D724,193	S *	3/2015	Esses	.....	D23/366

\* cited by examiner

*Primary Examiner* — Sandra Snapp

(74) *Attorney, Agent, or Firm* — Im IP Law PLLC; C. Andrew Im

(57) **CLAIM**

The ornamental design for a liquid dispenser, as shown and described.

**DESCRIPTION**

FIG. 1 is a right side view of a liquid dispenser in accordance with an exemplary embodiment of the claimed invention;  
 FIG. 2 is a back view of a liquid dispenser of FIG. 1 in accordance with an exemplary embodiment of the claimed invention;  
 FIG. 3 is a left side view of a liquid dispenser of FIG. 1 in accordance with an exemplary embodiment of the claimed invention;  
 FIG. 4 is a top view of a liquid dispenser of FIG. 1 in accordance with an exemplary embodiment of the claimed invention;  
 FIG. 5 is a front side perspective view of a liquid dispenser of FIG. 1 in accordance with an exemplary embodiment of the claimed invention;  
 FIG. 6 is a front view of a liquid dispenser of FIG. 1 in accordance with an exemplary embodiment of the claimed invention;  
 FIG. 7 is a back side perspective view of a liquid dispenser of FIG. 1 in accordance with an exemplary embodiment of the claimed invention;  
 FIG. 8 is a right side view of a liquid dispenser in accordance with an exemplary embodiment of the claimed invention;  
 FIG. 9 is a back view of a liquid dispenser of FIG. 8 in accordance with an exemplary embodiment of the claimed invention;  
 FIG. 10 is a left side view of a liquid dispenser of FIG. 8 in accordance with an exemplary embodiment of the claimed invention;  
 FIG. 11 is a top view of a liquid dispenser of FIG. 8 in accordance with an exemplary embodiment of the claimed invention;  
 FIG. 12 is a front side perspective view of a liquid dispenser of FIG. 8 in accordance with an exemplary embodiment of the claimed invention;

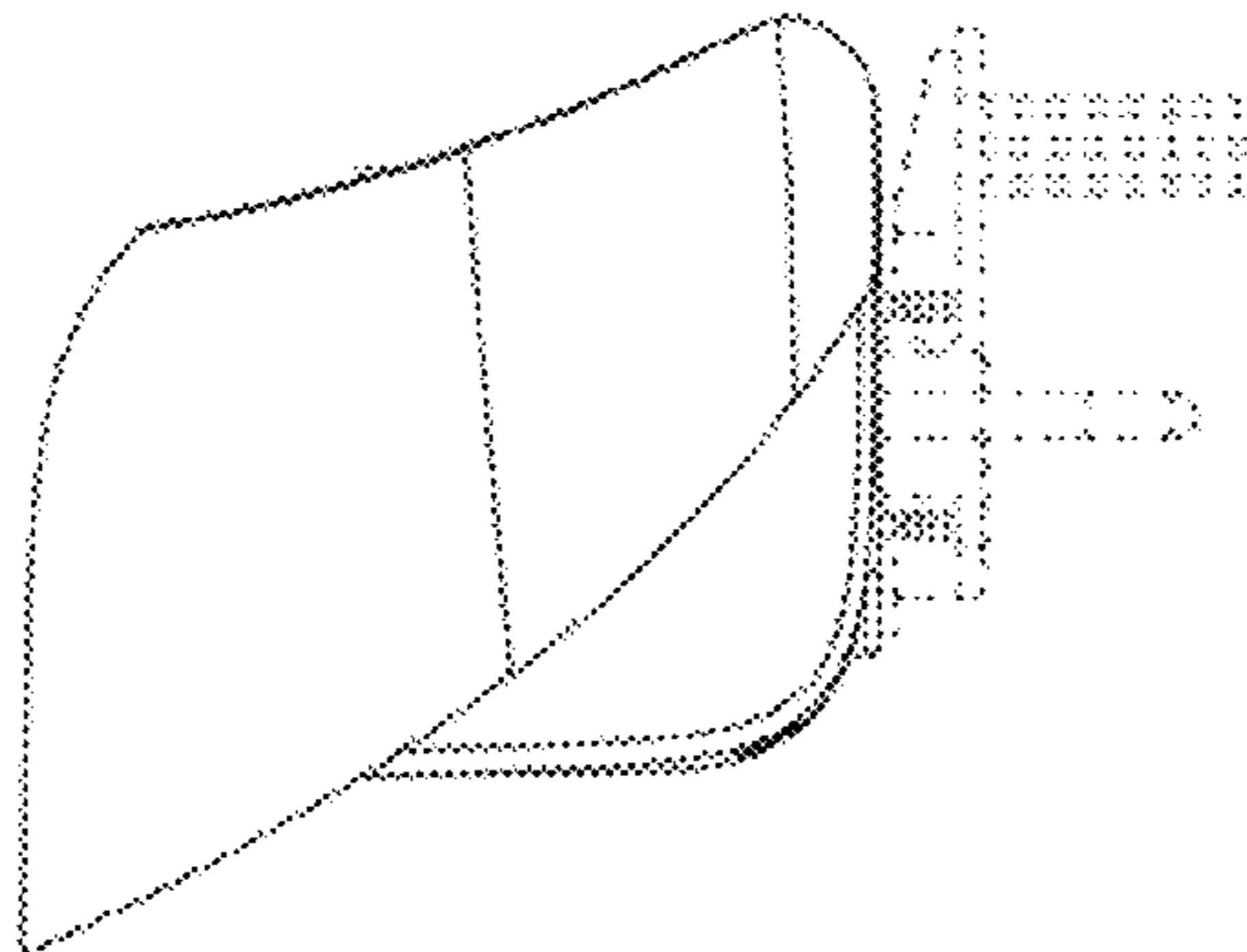


FIG. **13** is a front view of a liquid dispenser of FIG. **8** in accordance with an exemplary embodiment of the claimed invention;

FIG. **14** is a back side perspective view of a liquid dispenser of FIG. **8** in accordance with an exemplary embodiment of the claimed invention;

FIG. **15** is a right side view of a liquid dispenser in accordance with an exemplary embodiment of the claimed invention;

FIG. **16** is a back view of a liquid dispenser of FIG. **15** in accordance with an exemplary embodiment of the claimed invention;

FIG. **17** is a left side view of a liquid dispenser of FIG. **15** in accordance with an exemplary embodiment of the claimed invention;

FIG. **18** is a top view of a liquid dispenser of FIG. **15** in accordance with an exemplary embodiment of the claimed invention;

FIG. **19** is a front side perspective view of a liquid dispenser of FIG. **15** in accordance with an exemplary embodiment of the claimed invention;

FIG. **20** is a front view of a liquid dispenser of FIG. **15** in accordance with an exemplary embodiment of the claimed invention; and,

FIG. **21** is a back side perspective view of a liquid dispenser of FIG. **15** in accordance with an exemplary embodiment of the claimed invention.

All broken lines shown in the drawings depict unclaimed environment and form no part of the claimed design.

**1 Claim, 3 Drawing Sheets**

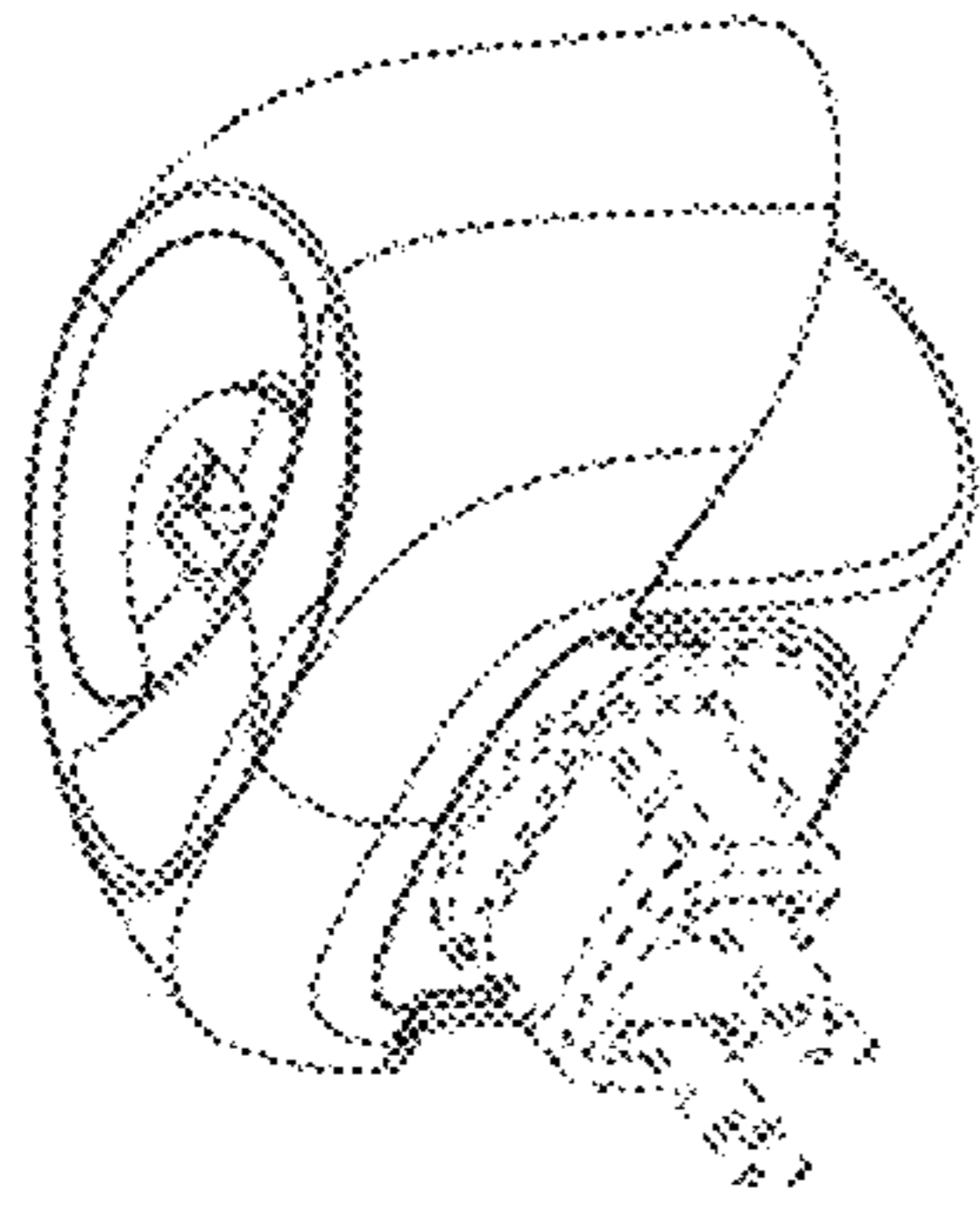


FIG. 5

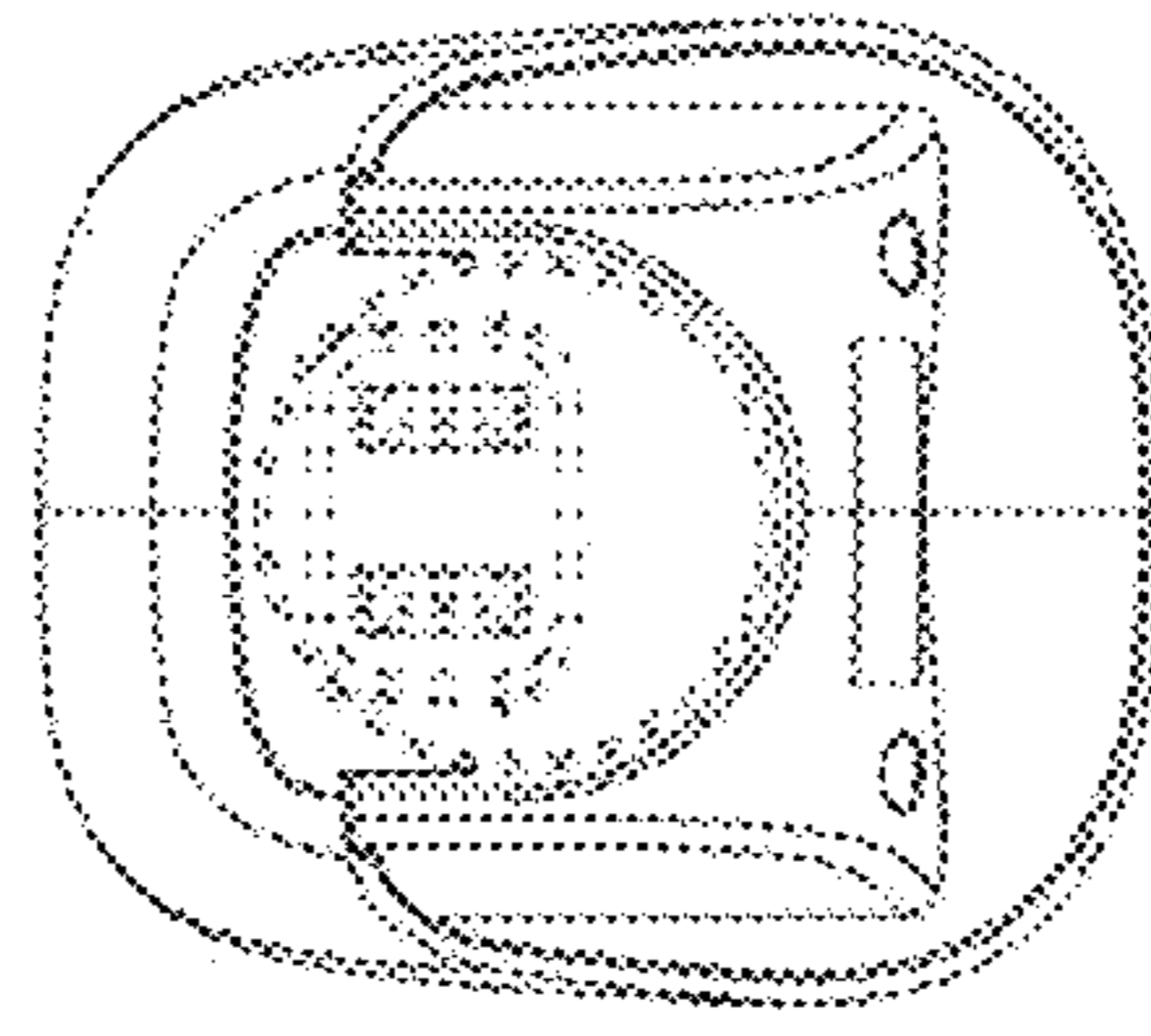


FIG. 6

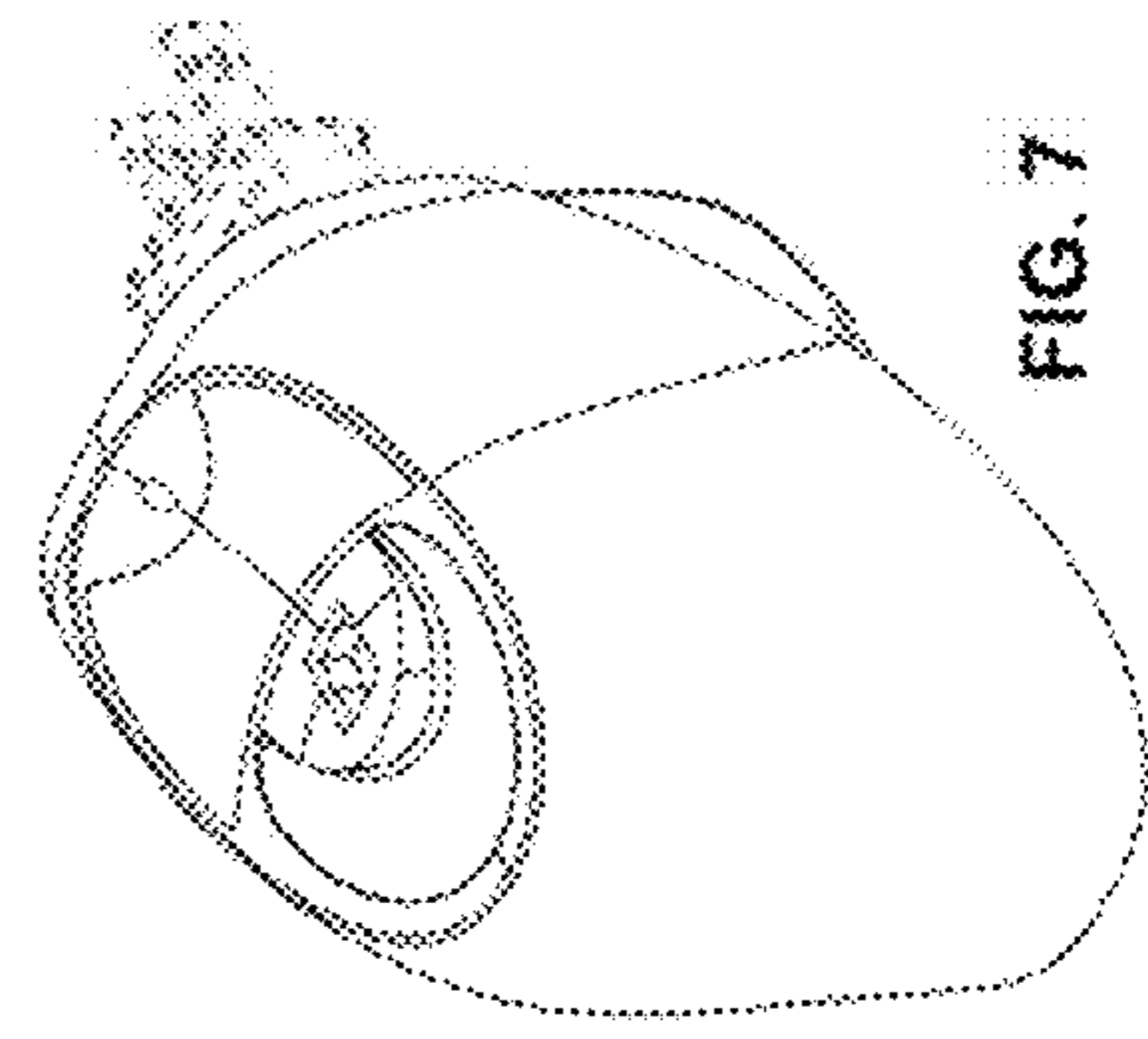


FIG. 7

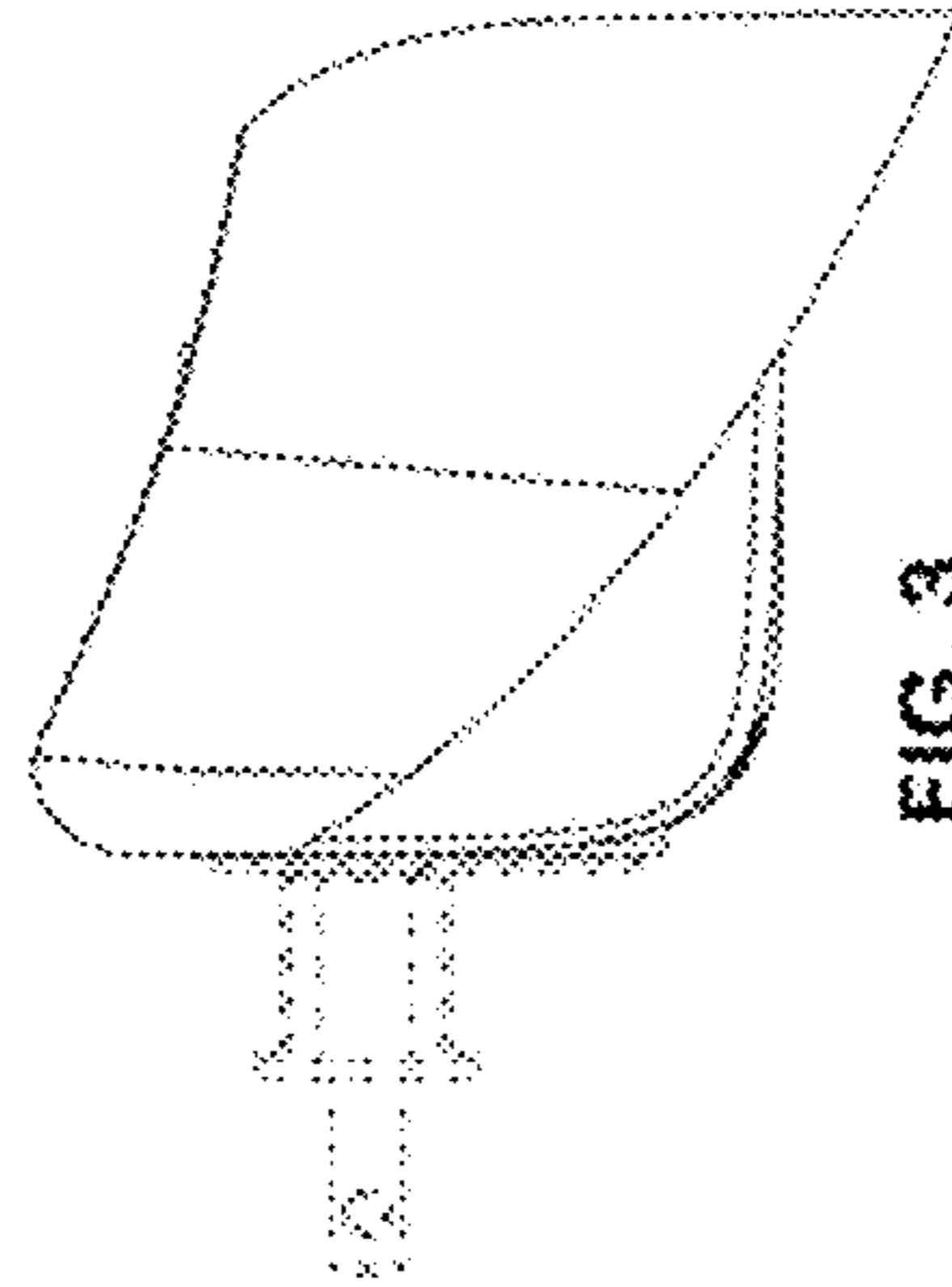


FIG. 3

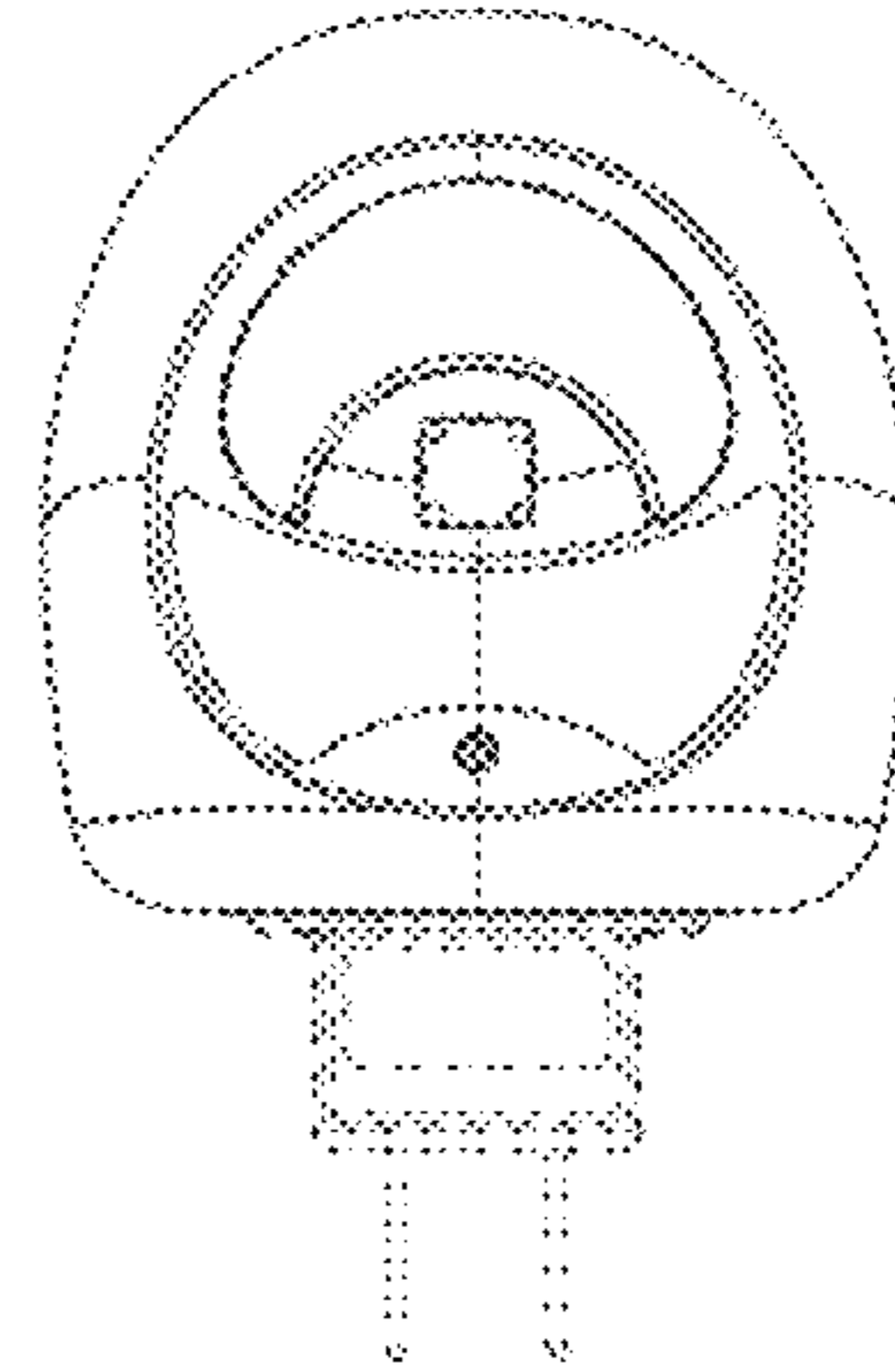


FIG. 4

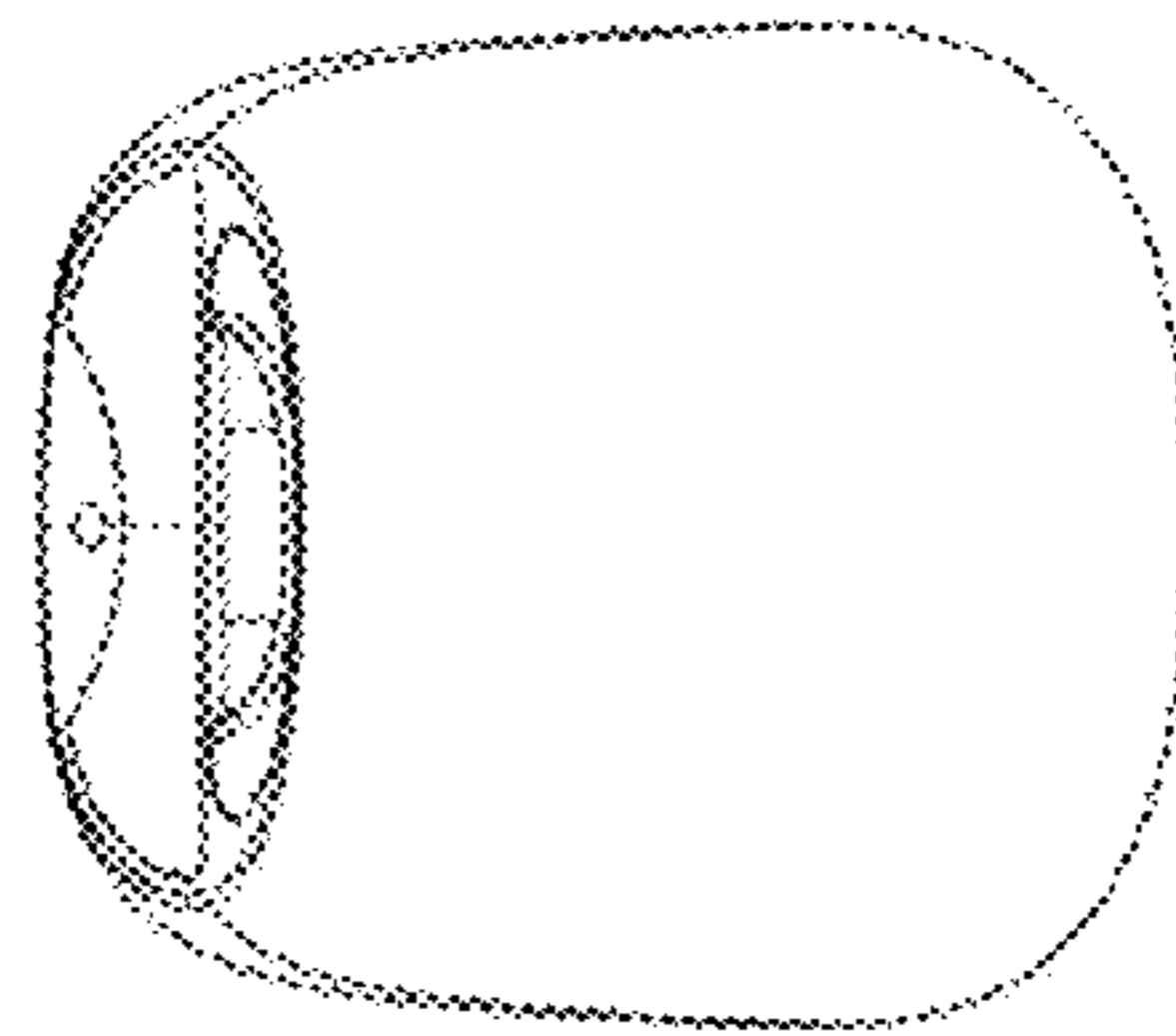


FIG. 2

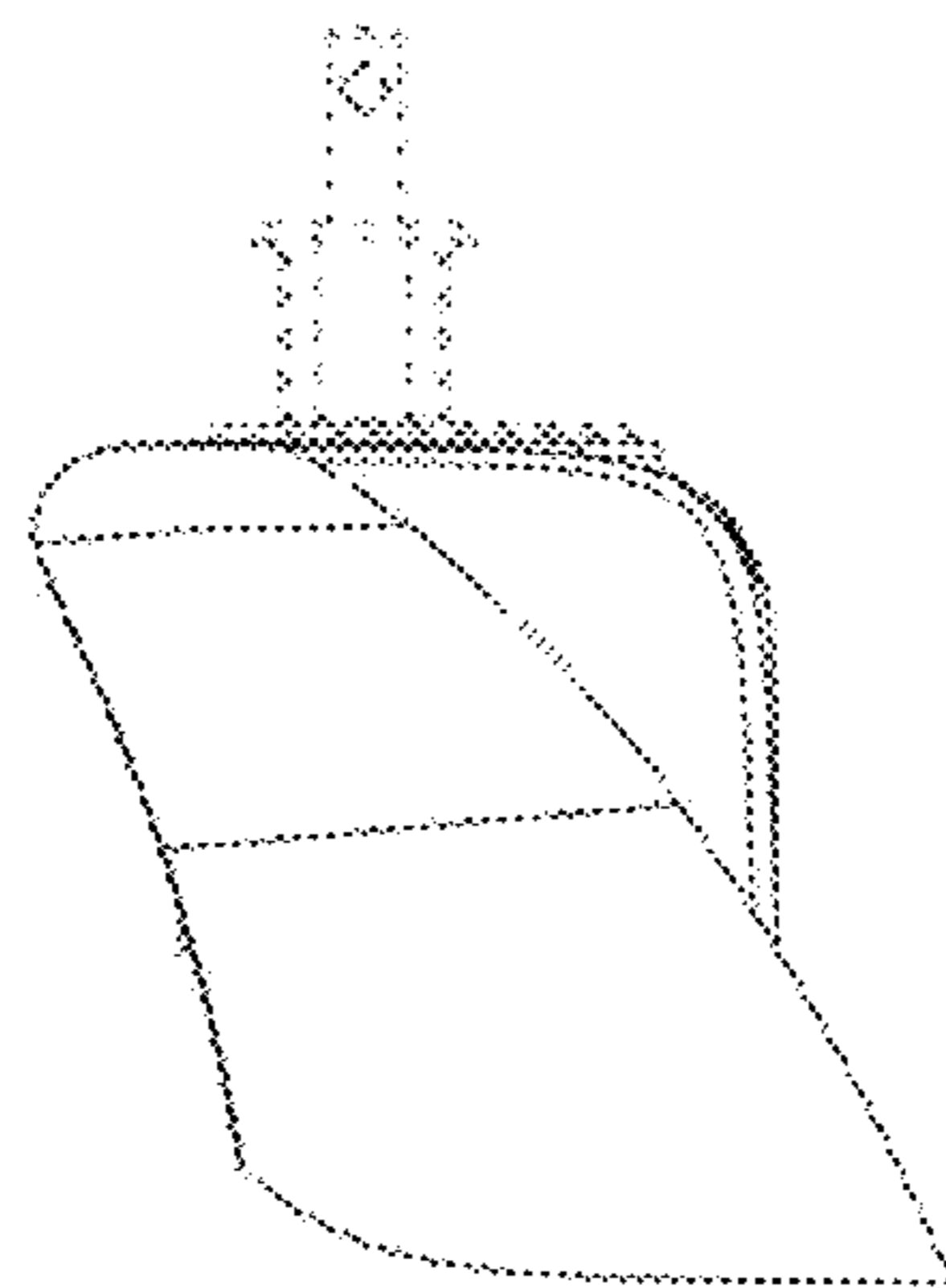


FIG. 1

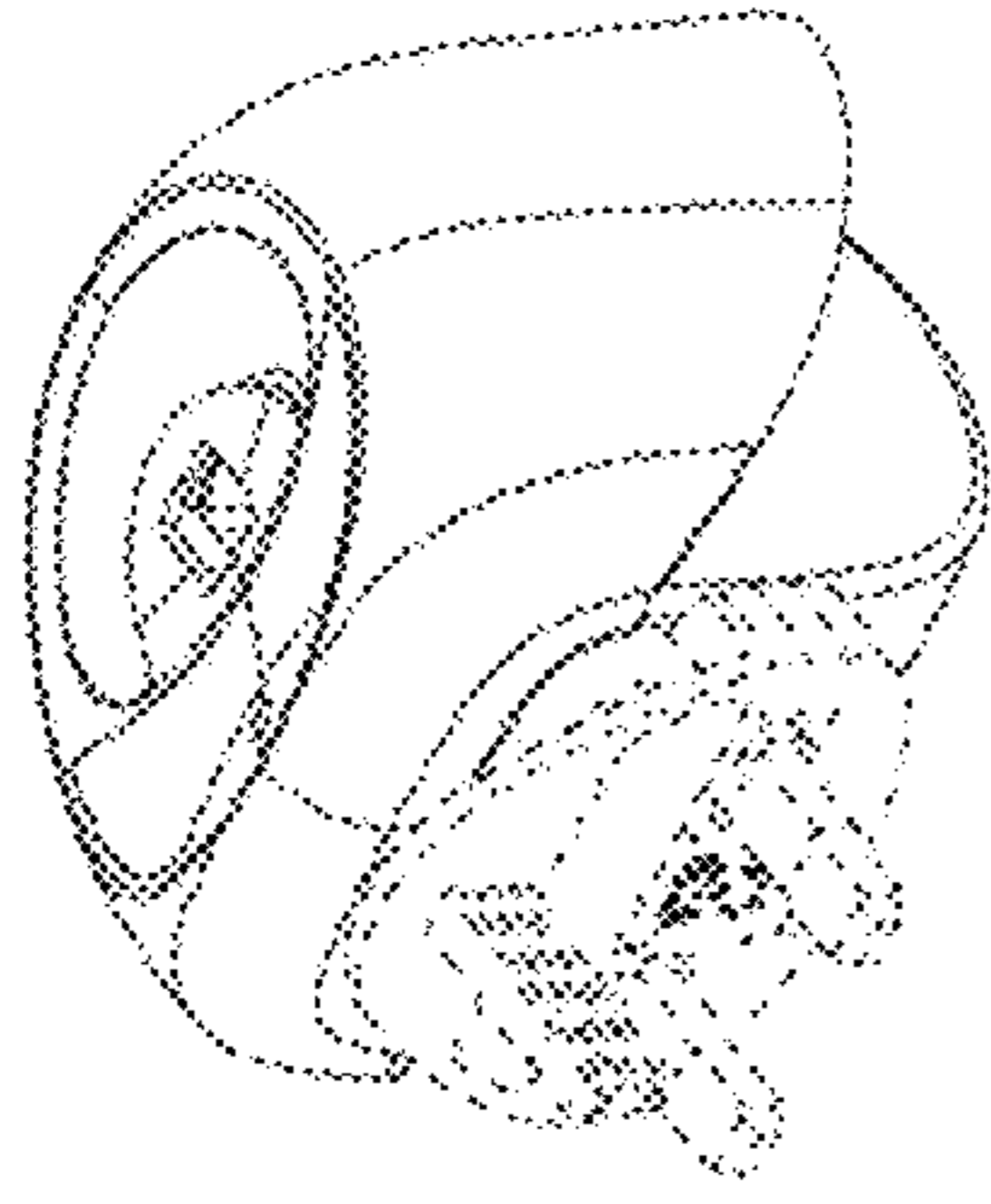


FIG. 12

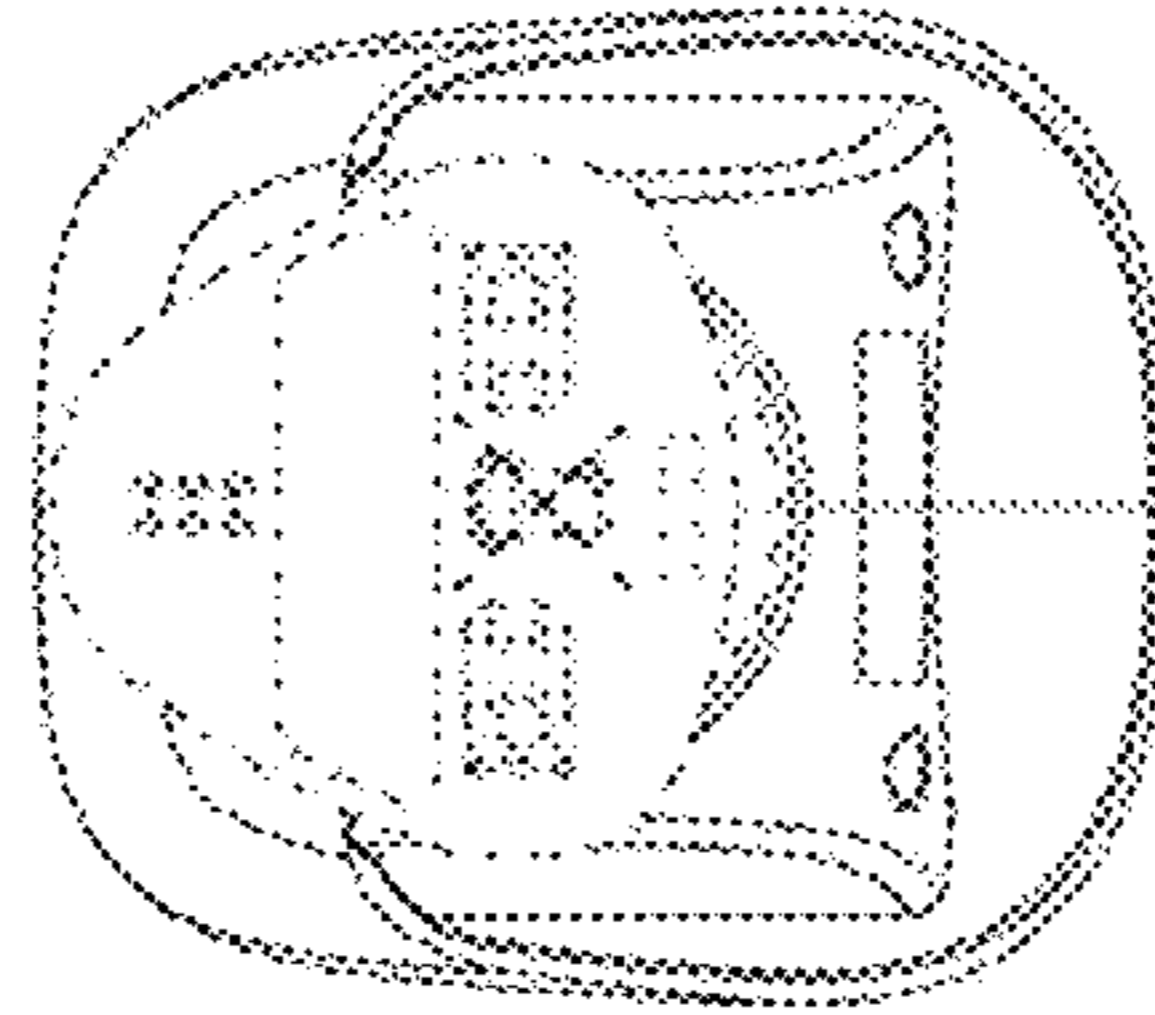


FIG. 13

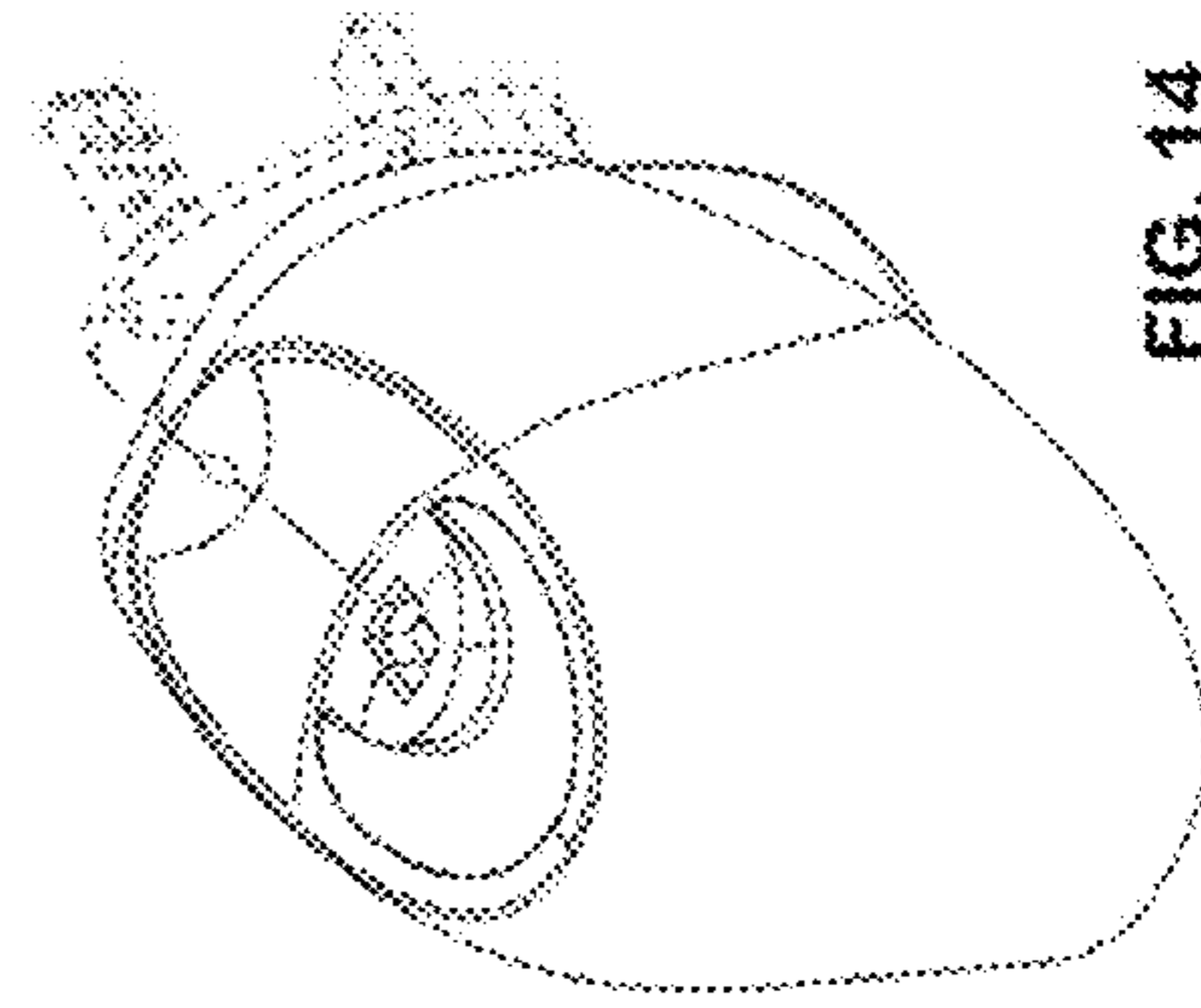


FIG. 14

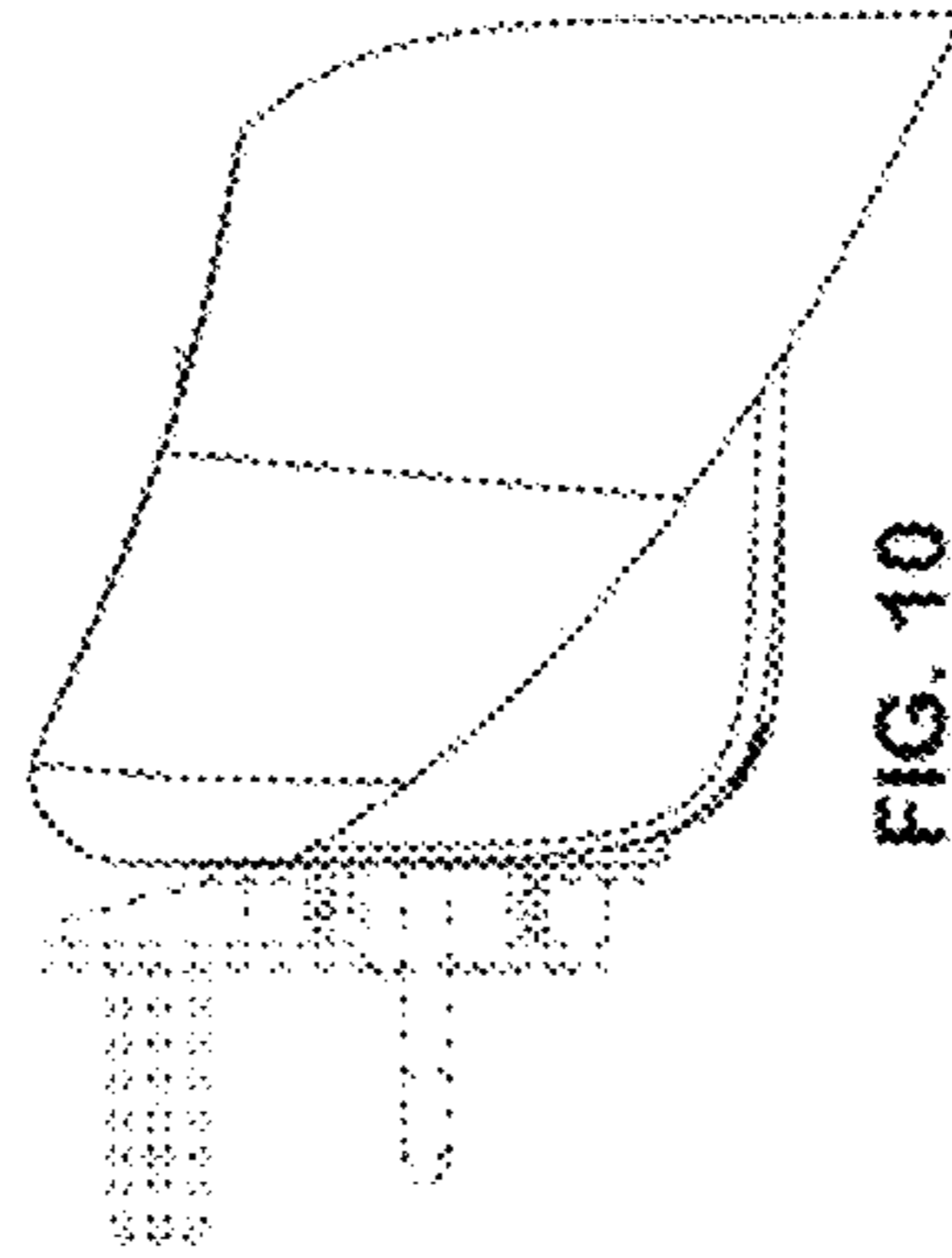


FIG. 10

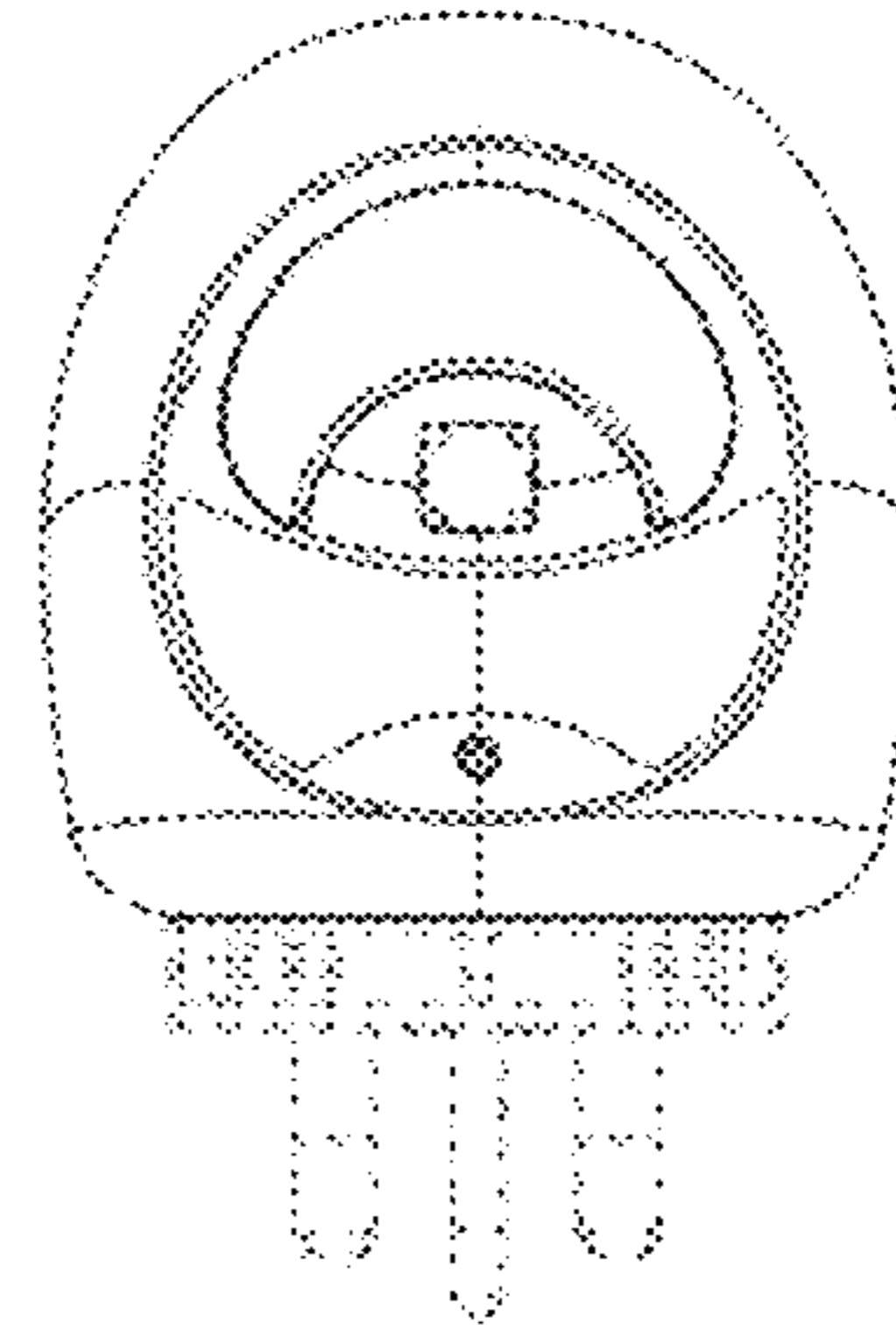


FIG. 11

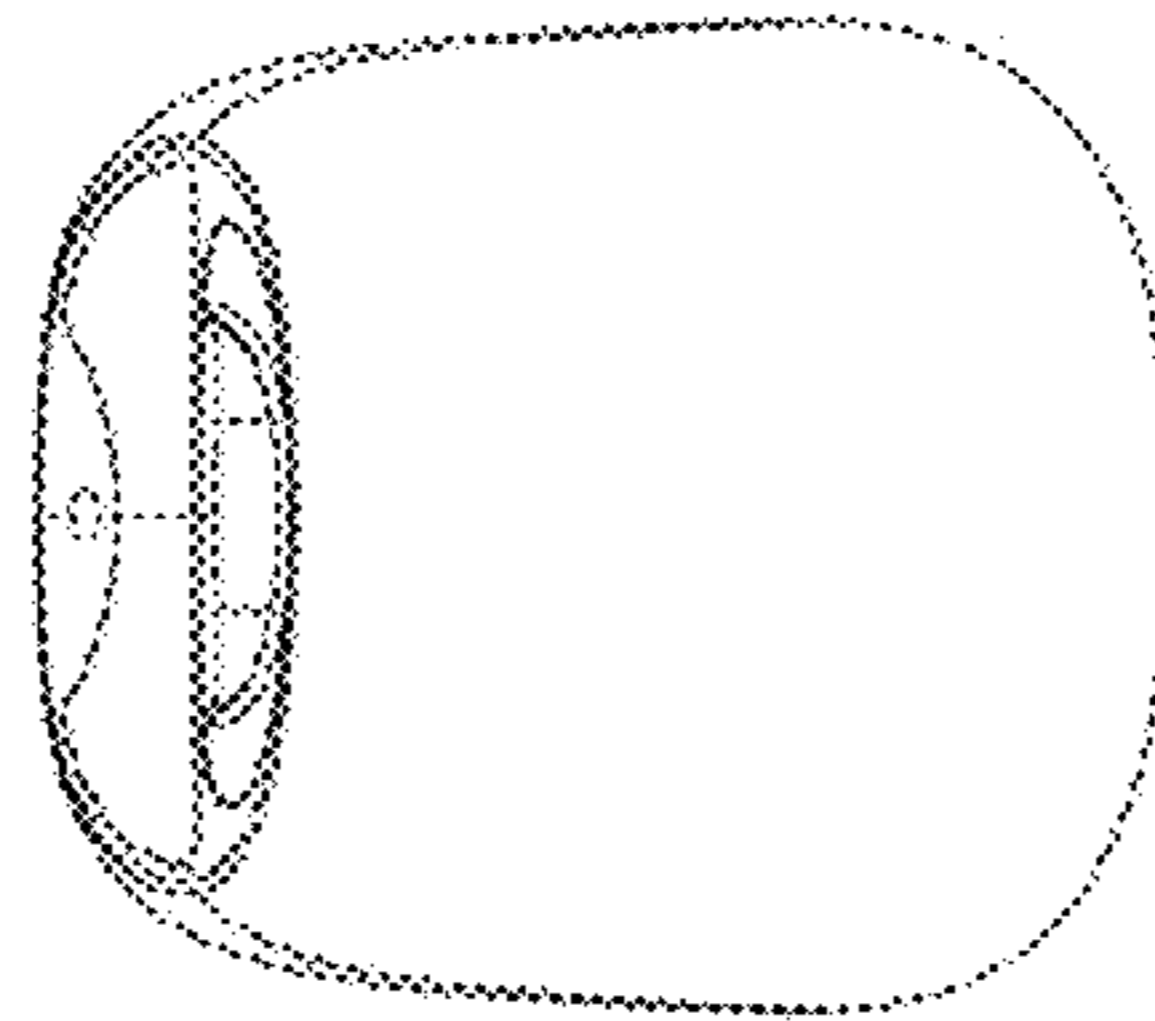


FIG. 9

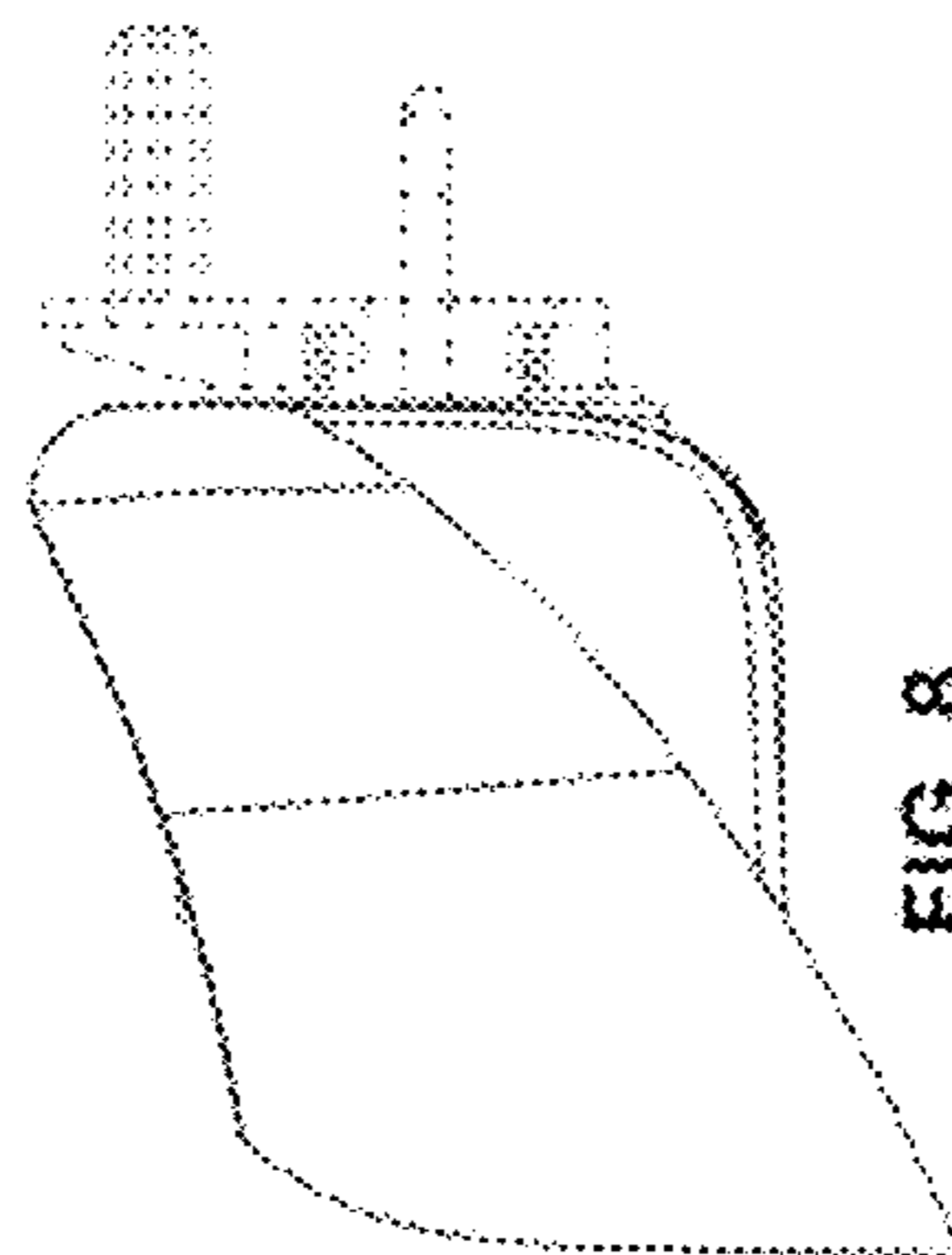


FIG. 8

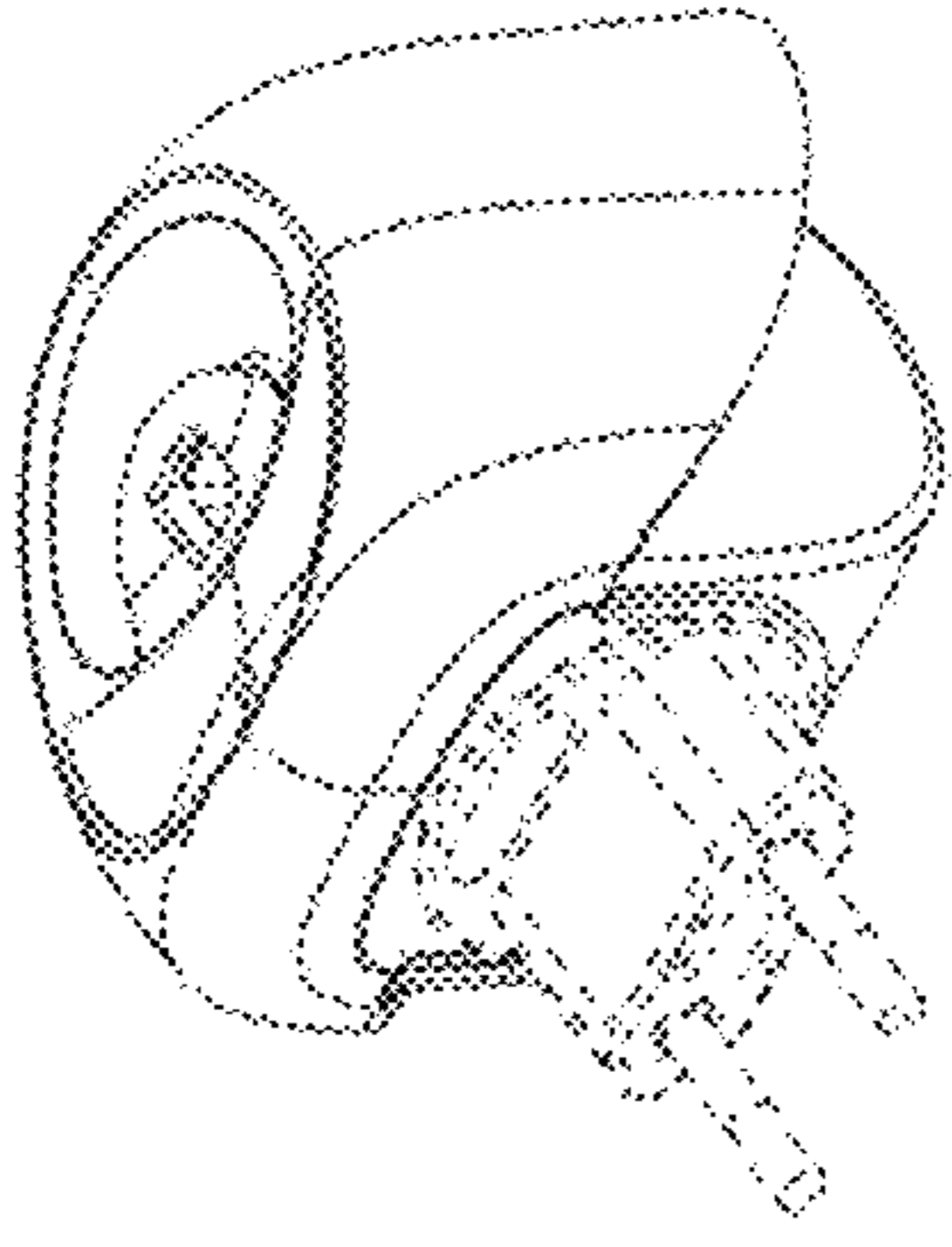


FIG. 19

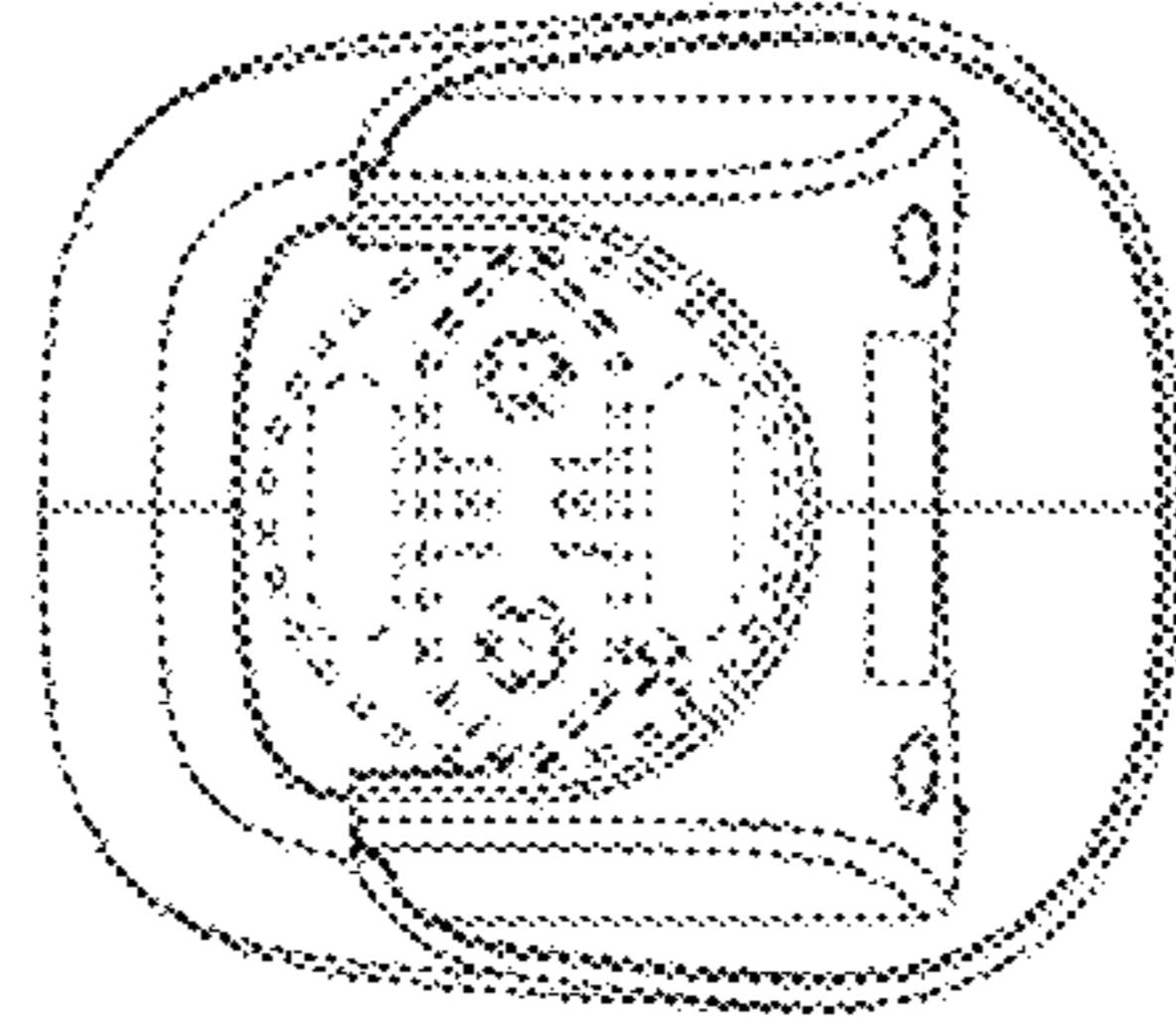


FIG. 20

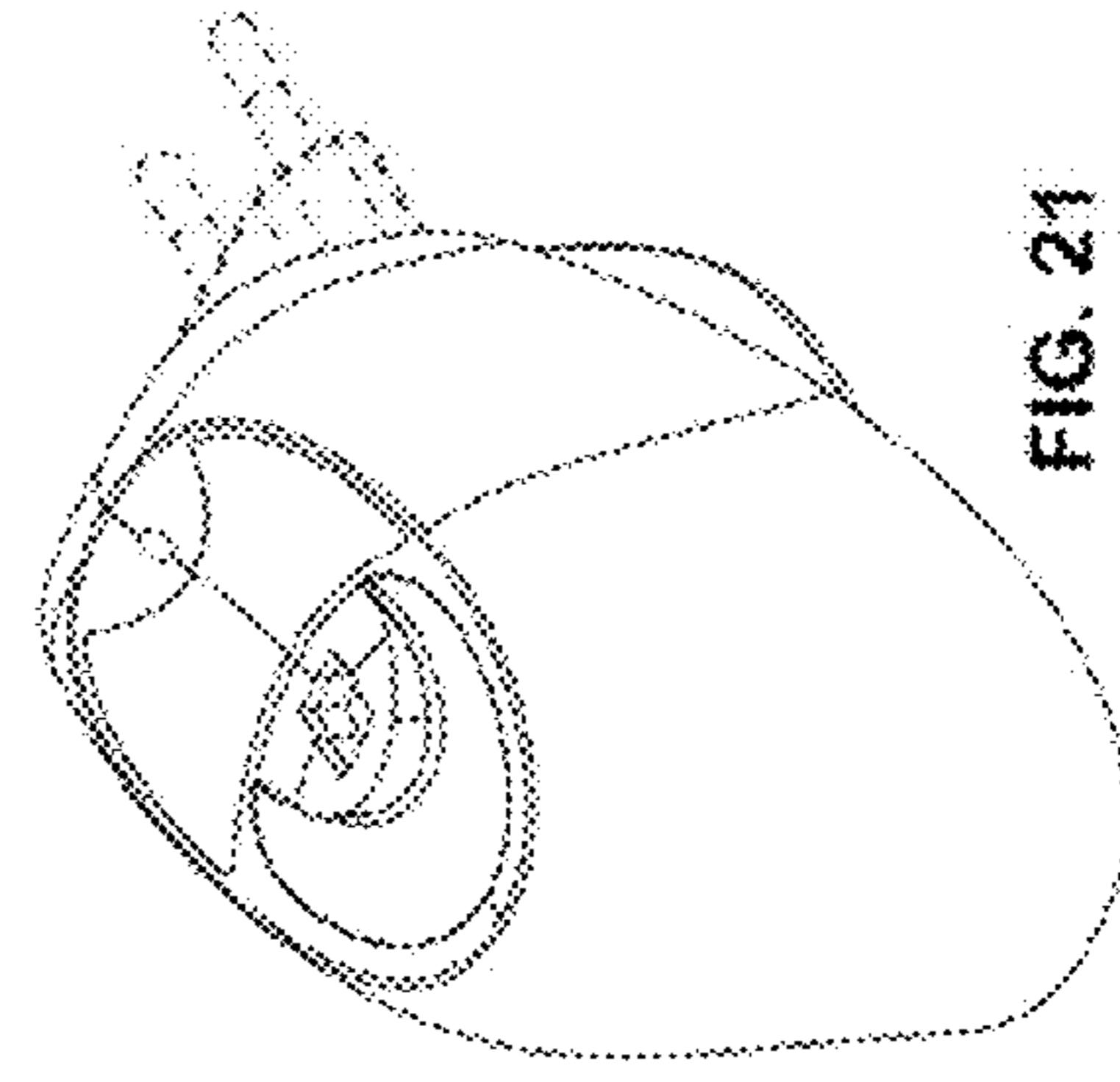


FIG. 21

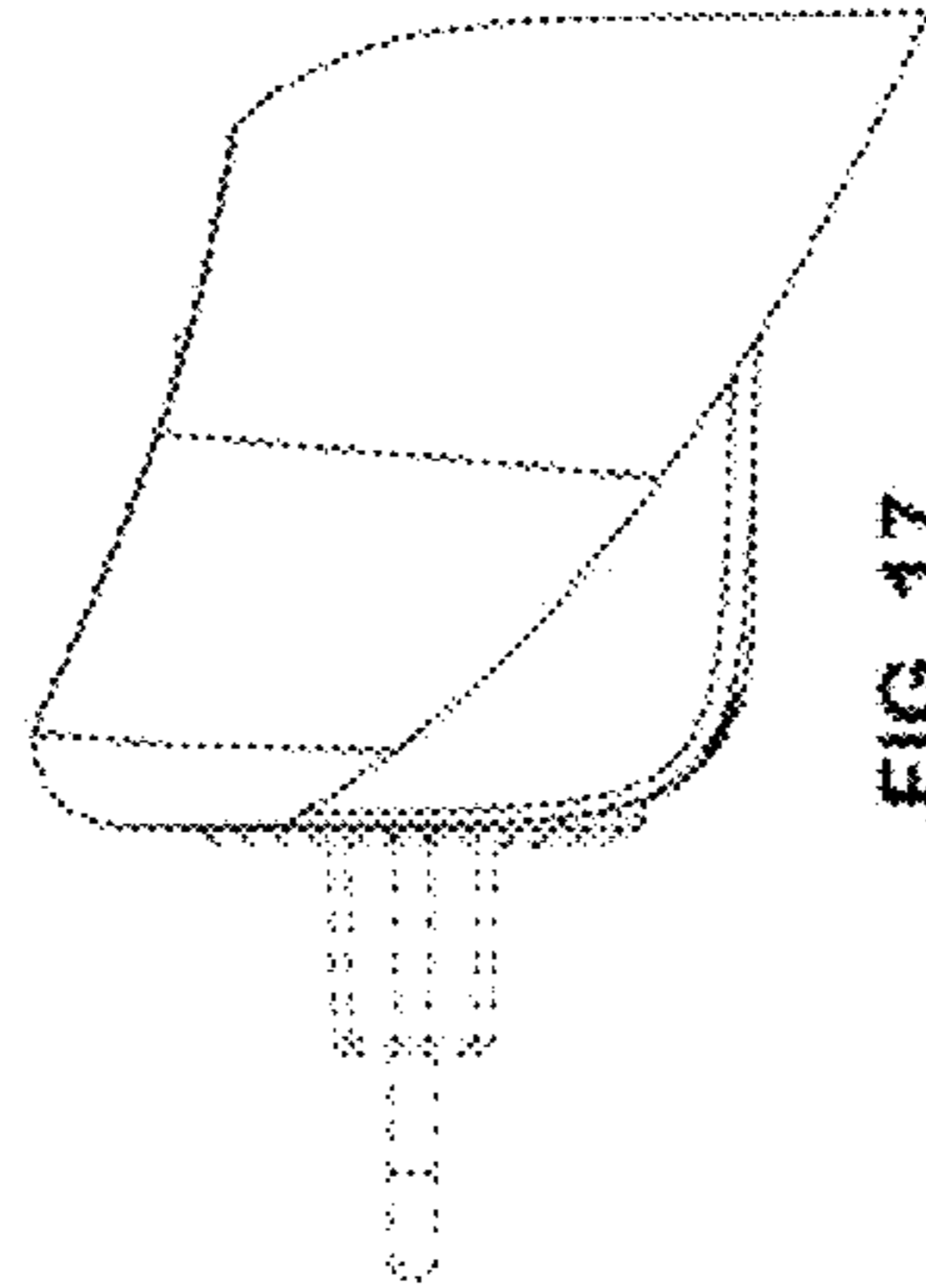


FIG. 17

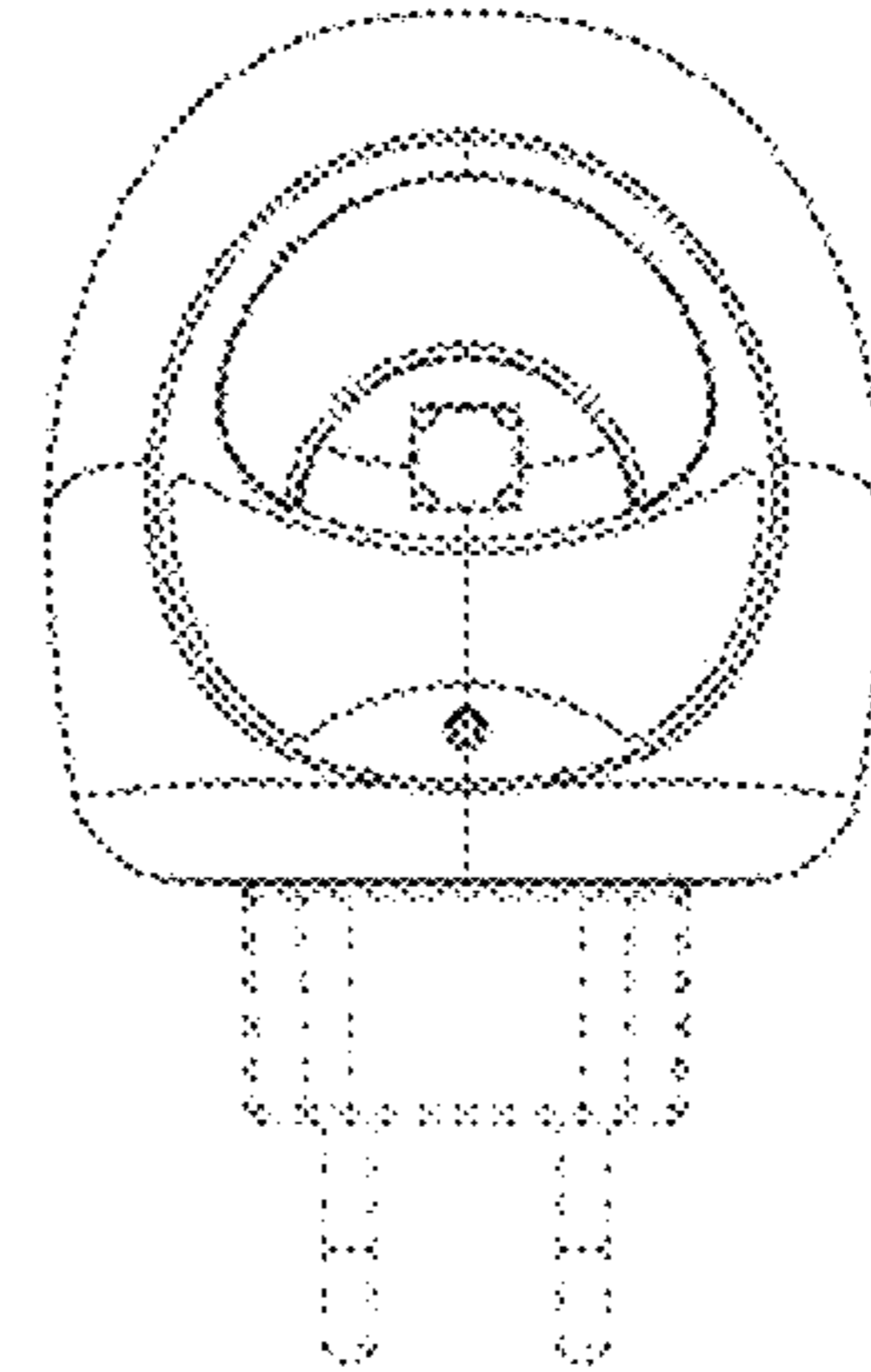


FIG. 18

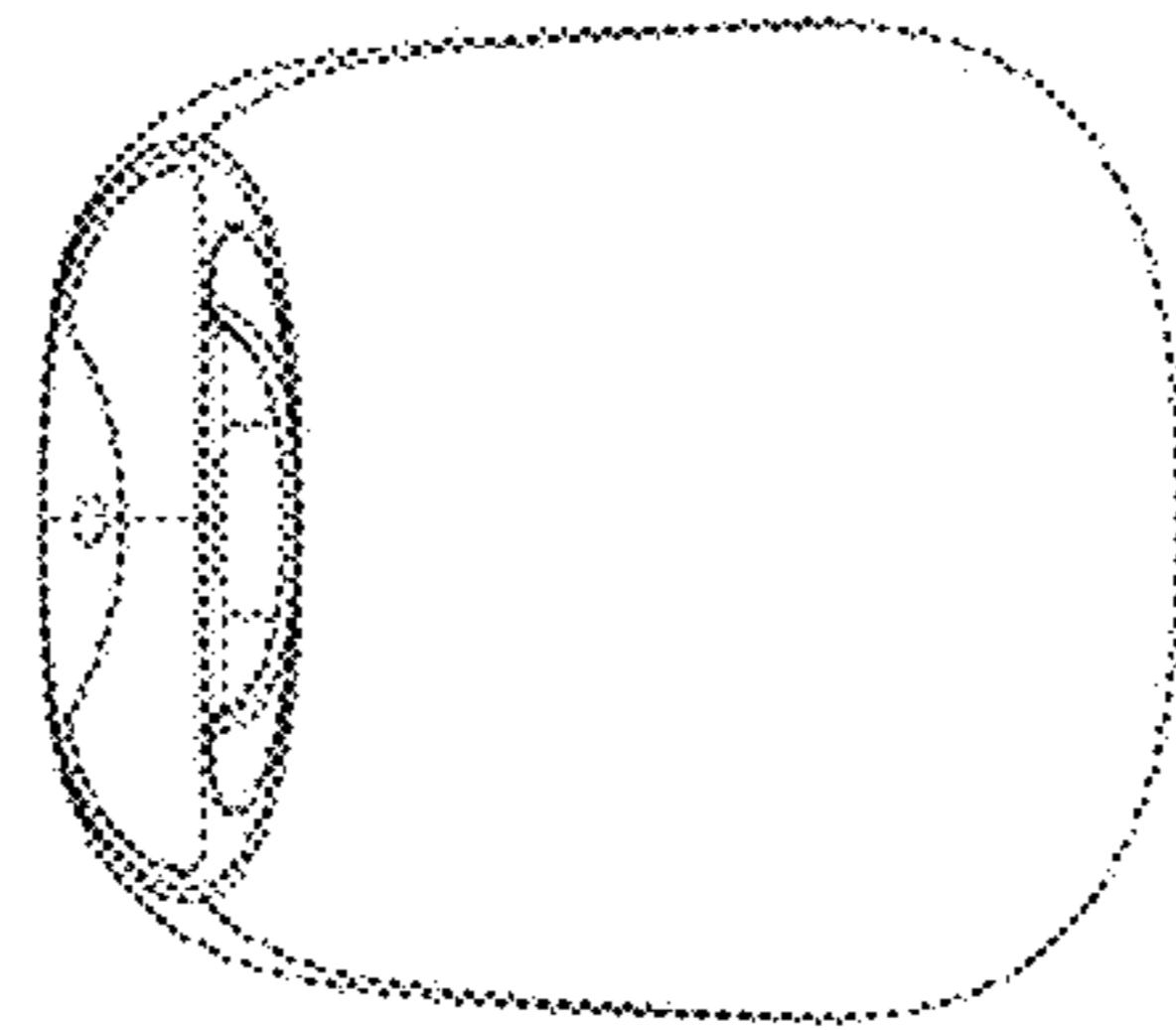


FIG. 16

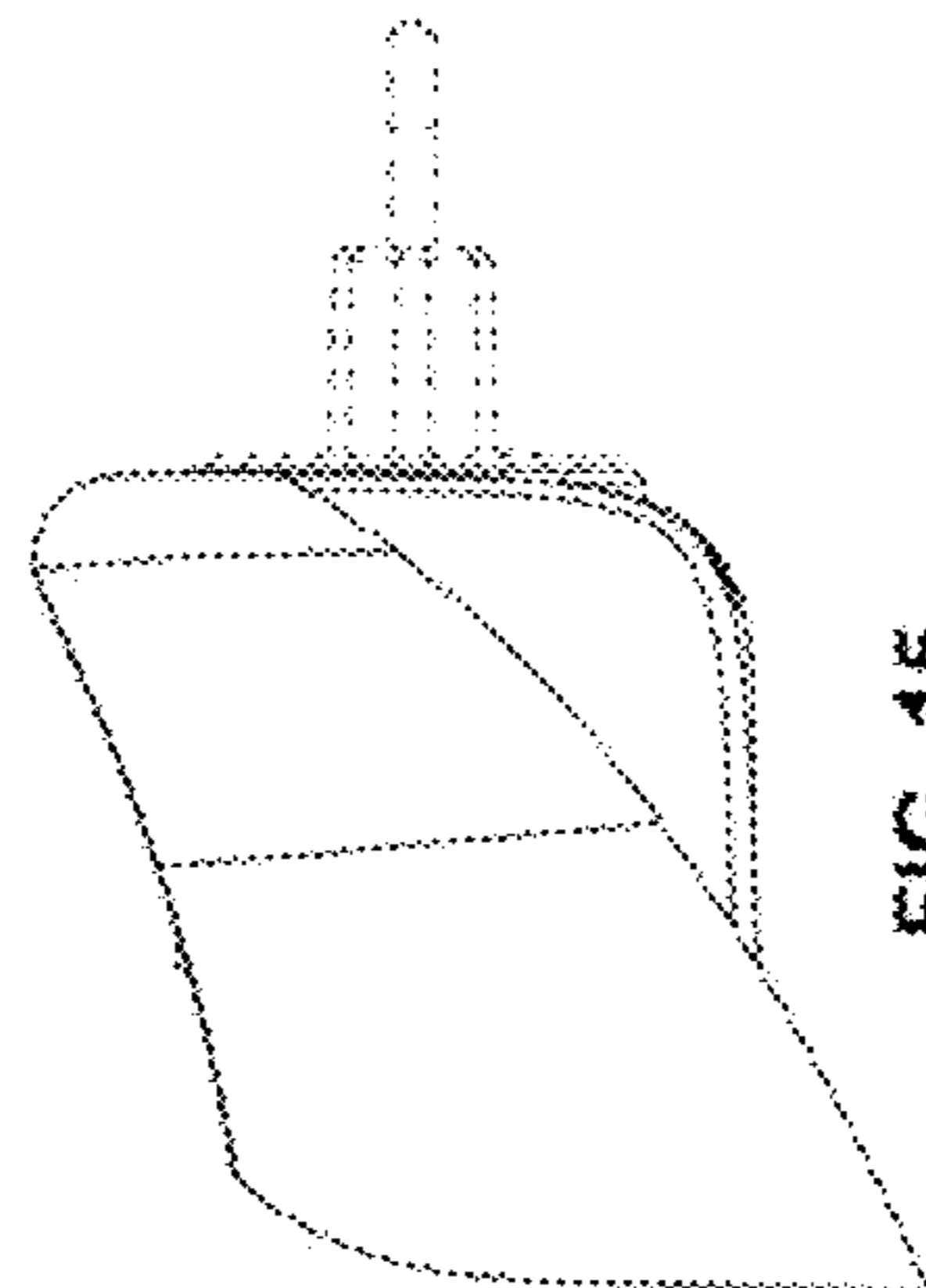


FIG. 15