



US00D752723S

(12) **United States Design Patent**
Tendick

(10) **Patent No.:** **US D752,723 S**
(45) **Date of Patent:** **** Mar. 29, 2016**

- (54) **WASTEWATER PIPE**
- (71) Applicant: **George Tendick**, Hudson, CO (US)
- (72) Inventor: **George Tendick**, Hudson, CO (US)
- (73) Assignee: **George Tendick**, Hudson, CO (US)
- (**) Term: **14 Years**
- (21) Appl. No.: **29/471,699**
- (22) Filed: **Nov. 4, 2013**
- (51) **LOC (10) Cl.** **23-01**
- (52) **U.S. Cl.**
USPC **D23/266**
- (58) **Field of Classification Search**
USPC D23/213, 223, 224, 228, 229, 230, 259,
D23/262, 263, 266; D24/129; D13/155;
138/103, 105, 109, 118, 118.1, 121,
138/122, 126, 128, 140, 154, 155, 157, 158,
138/167, 173, 177; 285/58, 83, 124.1,
285/124.5, 179, 179.1
See application file for complete search history.

(56) **References Cited**

U.S. PATENT DOCUMENTS

151,166	A *	5/1874	Shaw et al.	285/55
D24,013	S *	2/1895	Crawford et al.	D23/266
D24,114	S *	3/1895	Crawford et al.	D23/266
1,978,774	A *	10/1934	Voss et al.	138/118.1
D96,508	S *	8/1935	Rosenburgh et al.	D23/266
D96,509	S *	8/1935	Rosenburgh et al.	D23/266
2,236,802	A *	4/1941	McDonald	138/113
2,818,084	A *	12/1957	Tennison, Jr.	285/5
3,983,873	A *	10/1976	Hirschman	604/385.17
4,134,431	A *	1/1979	Davidson et al.	138/109
4,679,294	A *	7/1987	Lomax et al.	29/460
6,263,903	B1 *	7/2001	Sjoberg	137/364
D478,969	S *	8/2003	Mezzalira	D23/266
7,361,274	B2 *	4/2008	Lazaredes	210/636

D573,699	S *	7/2008	Clukies	D23/269
D603,941	S *	11/2009	Leelaprachakul	D23/266
2007/0138080	A1 *	6/2007	Clukies	210/242.3
2013/0061973	A1 *	3/2013	Zerbes et al.	138/109

OTHER PUBLICATIONS

Amitech Service AG, "GRP non-circular Pipe Systems", GRP non-circular Pipe Systems for Construction and Renovation of Sewer Systems, 2013, 16 pages.
 Diamond Plastics Corporation, "PVC Pipe for the 21st Century (brochure)", [Http://www.dpcpipe.com/assets/pdf/prod/catalog.pdf](http://www.dpcpipe.com/assets/pdf/prod/catalog.pdf), May 2013, 36 pages.

* cited by examiner

Primary Examiner — Eric Goodman
Assistant Examiner — Daniel J Domino

(74) *Attorney, Agent, or Firm* — Dorsey & Whitney LLP

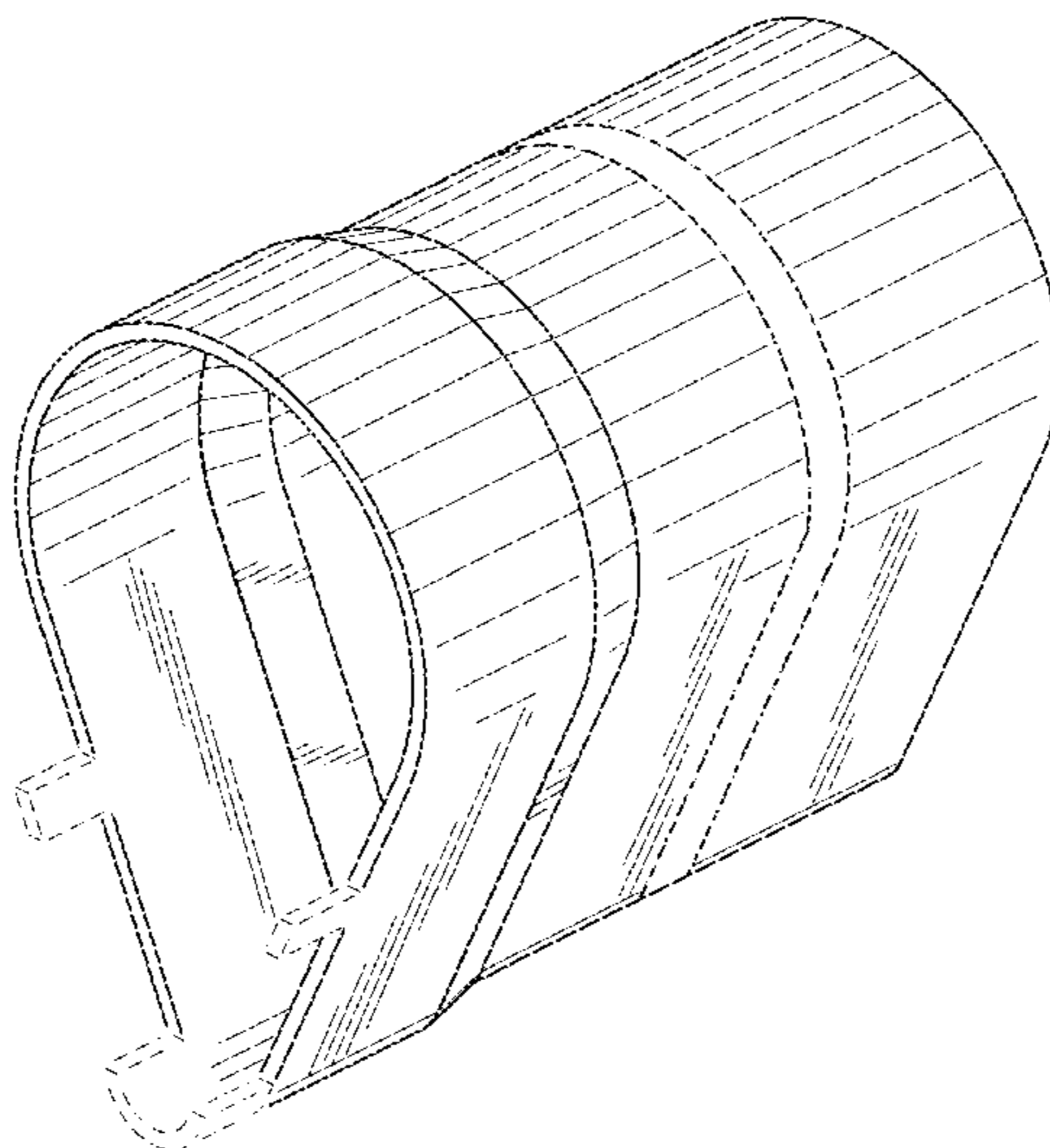
(57) **CLAIM**

The ornamental design for a wastewater pipe, as shown and described.

DESCRIPTION

FIG. 1 shows a front perspective view of a wastewater pipe; FIG. 2 shows a front elevation view of the wastewater pipe of FIG. 1; FIG. 3 shows a right elevation view of the wastewater pipe of FIG. 1 with the left elevation view being the mirror image of the right elevation view; FIG. 4 shows a top elevation view of the wastewater pipe of FIG. 1; FIG. 5 shows a rear elevation view of the wastewater pipe of FIG. 1; and, FIG. 6 shows a bottom view of the wastewater pipe of FIG. 1. The broken line showing is included for the purpose of illustrating portions of the article and forms no part of the claimed design.

1 Claim, 3 Drawing Sheets



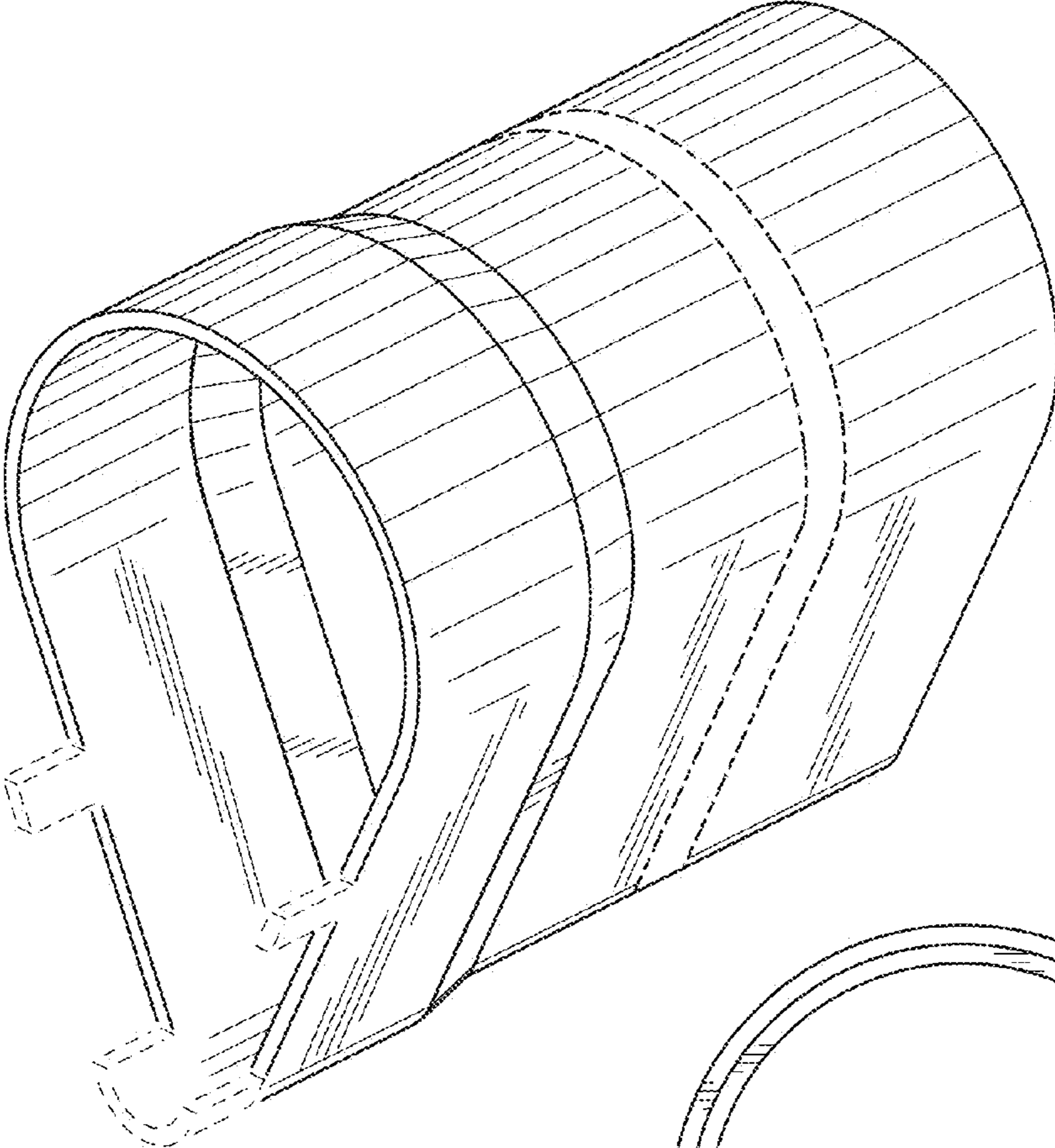


FIG. 1

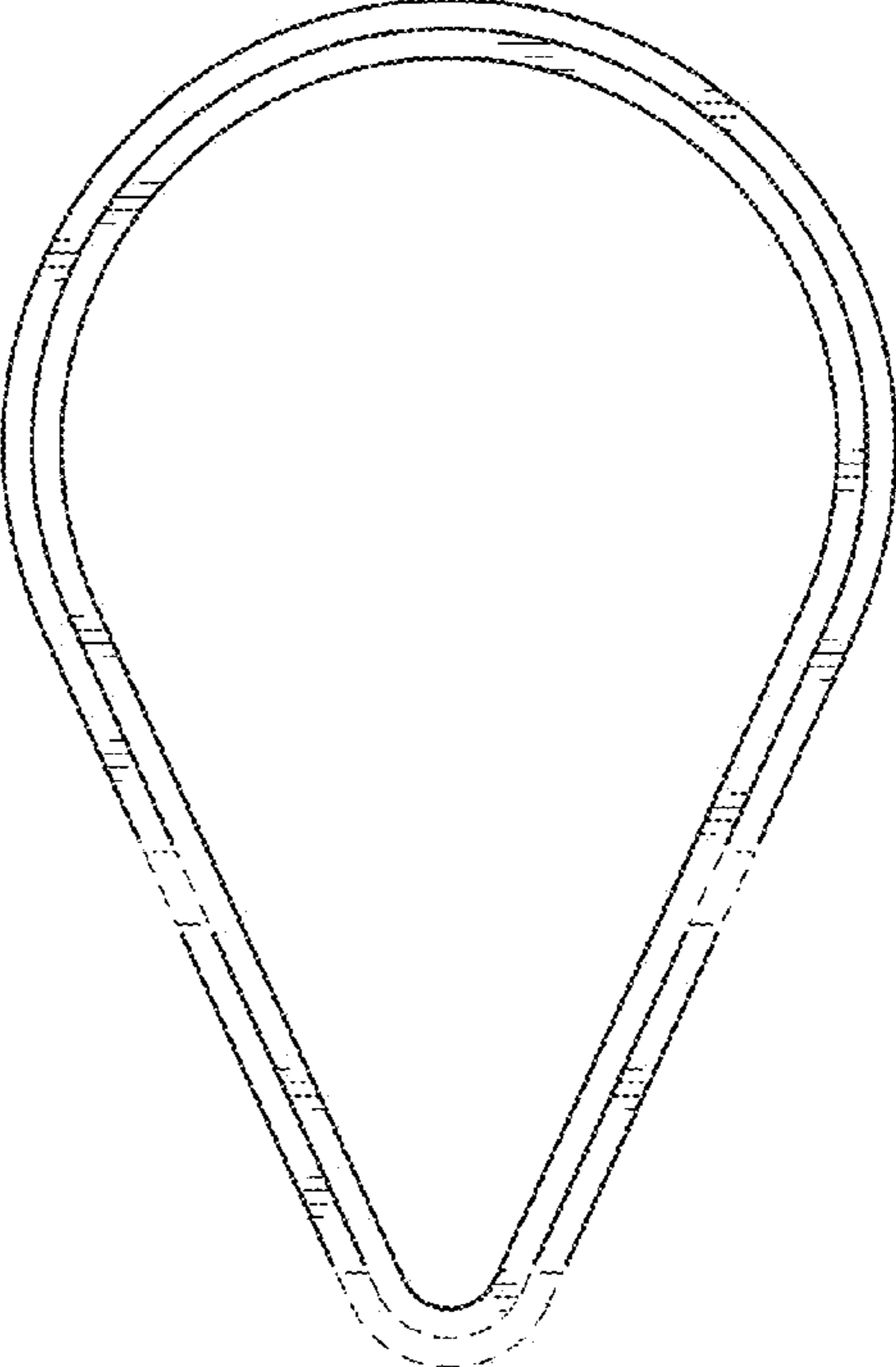


FIG. 2

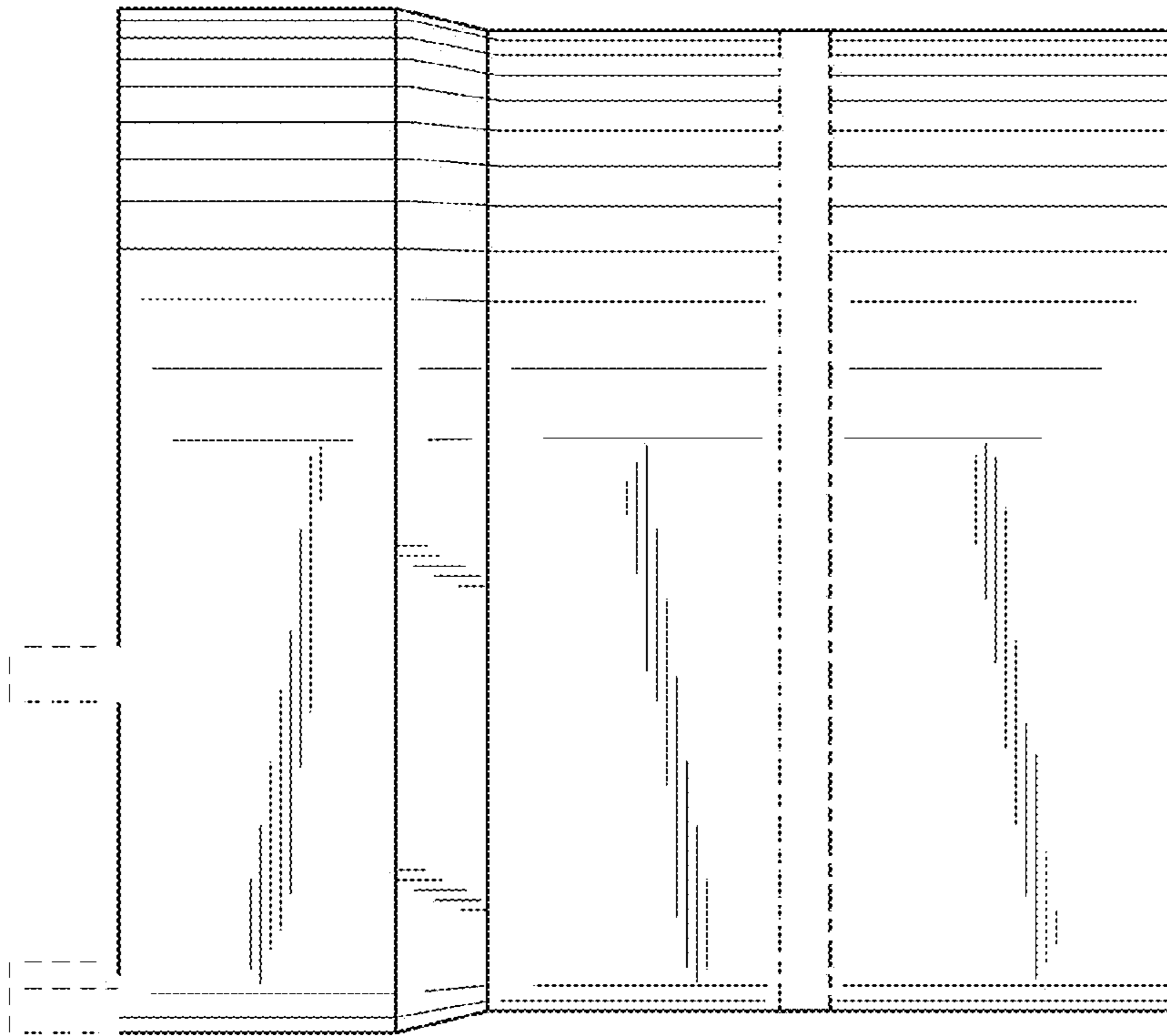


FIG. 3

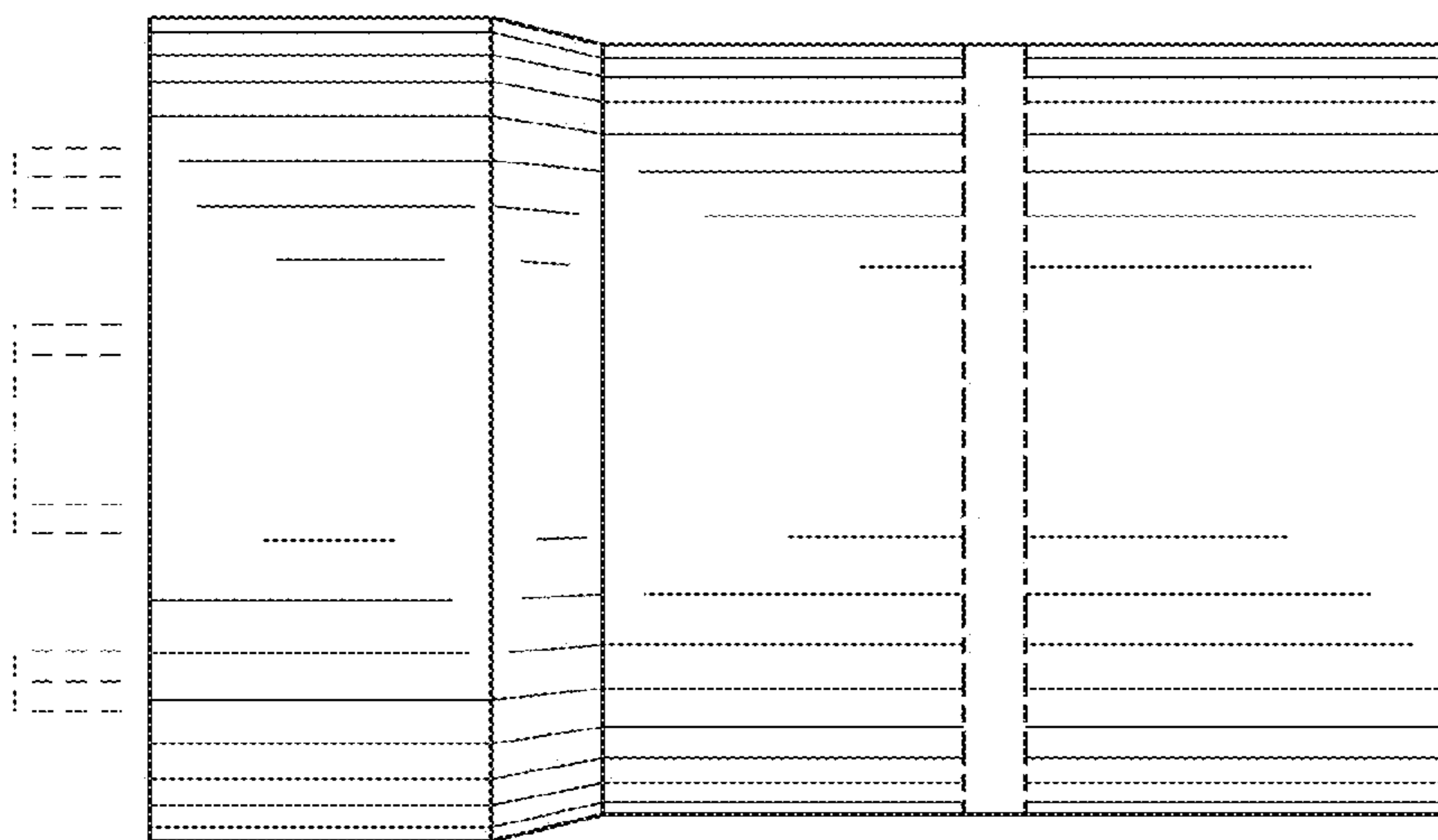


FIG. 4

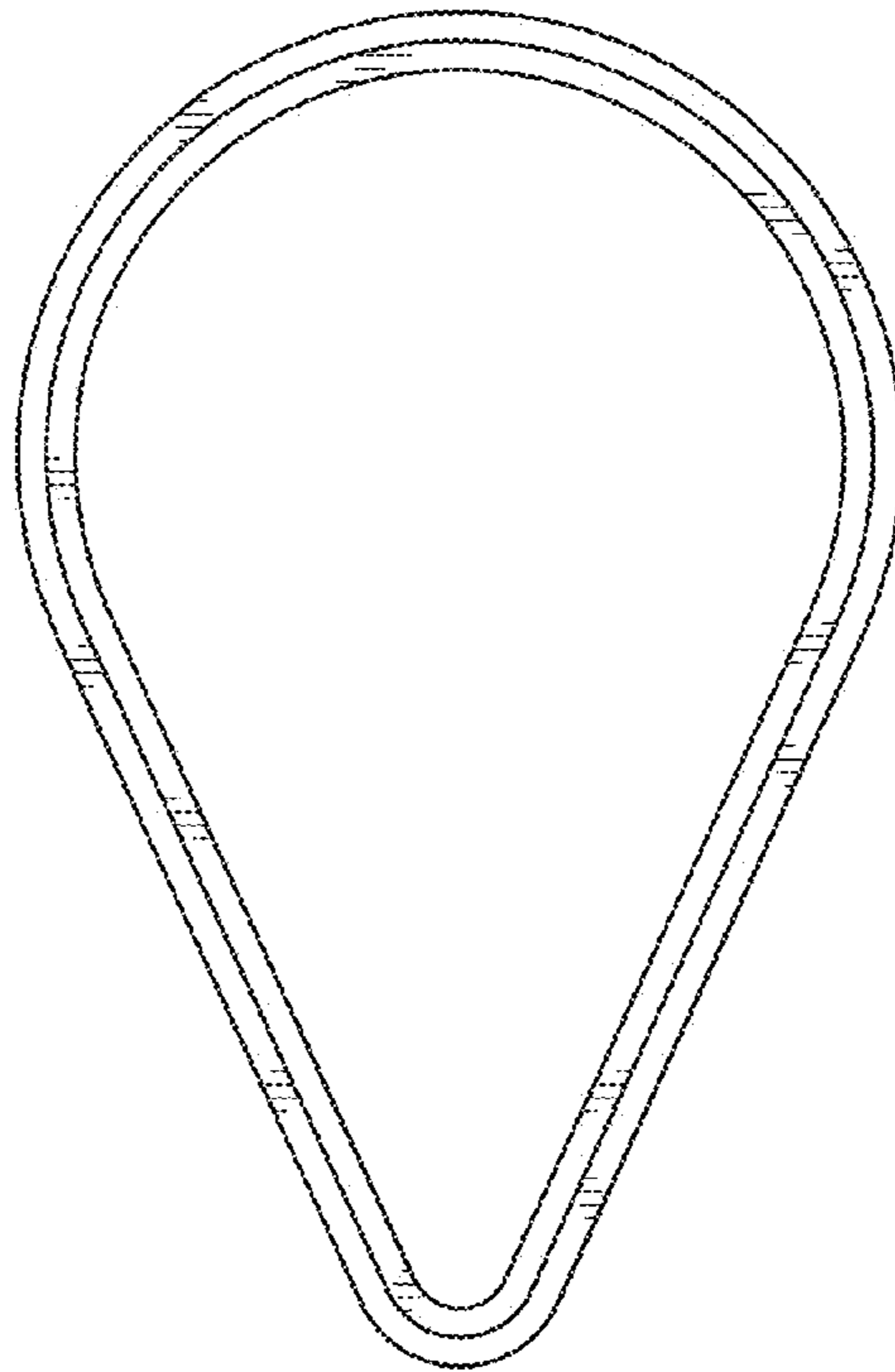


FIG. 5

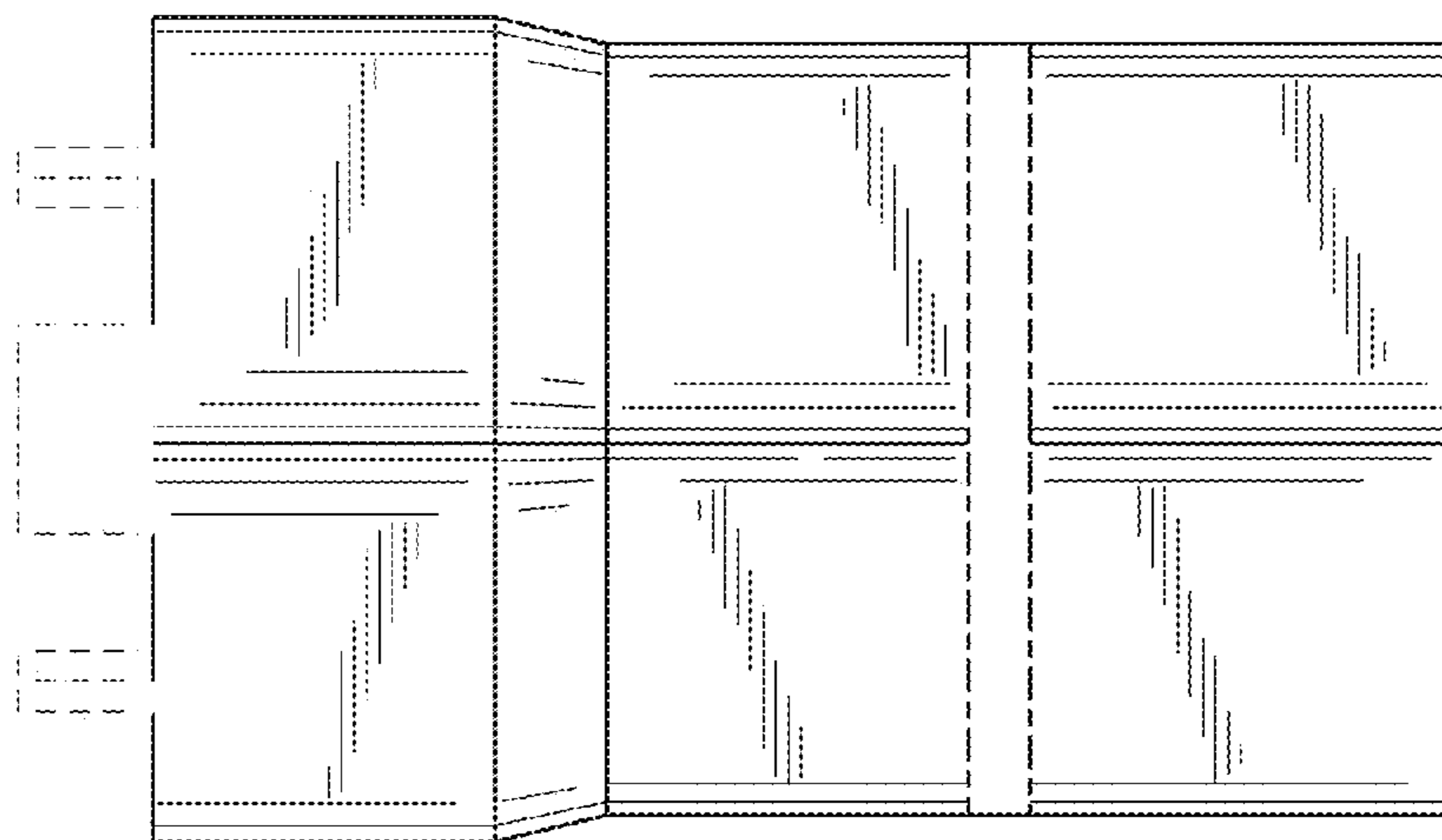


FIG. 6