



US00D752722S

(12) **United States Design Patent**
Boettner

(10) **Patent No.:** **US D752,722 S**
(45) **Date of Patent:** **** Mar. 29, 2016**

- (54) **PIPE CUFF**
- (71) Applicant: **Euramax International, Inc.**, Norcross, GA (US)
- (72) Inventor: **Eric Michael Boettner**, Cleveland, TN (US)
- (73) Assignee: **Euramax International, Inc.**, Norcross, GA (US)

- 3,859,025 A 1/1975 Maroschak
- 3,897,090 A 7/1975 Maroschak
- 3,926,222 A 12/1975 Shroy
- 3,929,359 A 12/1975 Schmunk
- 3,958,425 A 5/1976 Maroschak
- 3,975,039 A 8/1976 Penneck
- 4,099,744 A 7/1978 Kutnyak
- 4,126,338 A 11/1978 Coel
- 4,126,339 A 11/1978 Thompson
- 4,247,136 A 1/1981 Fouss

(Continued)

(**) Term: **14 Years**

FOREIGN PATENT DOCUMENTS

(21) Appl. No.: **29/524,927**

- JP 01199091 8/1989
- JP 06213384 8/1994

(22) Filed: **Apr. 24, 2015**

OTHER PUBLICATIONS

Related U.S. Application Data

U.S. Appl. No. 13/903,643, "Advisory Action", Sep. 18, 2014, 4 pages.

(60) Continuation of application No. 13/835,583, filed on Mar. 15, 2013, which is a division of application No. 12/884,131, filed on Sep. 16, 2010, now abandoned.

(Continued)

(51) **LOC (10) Cl.** **23-01**

Primary Examiner — George D Kirschbaum

(52) **U.S. Cl.**

Assistant Examiner — Amy Wierenga

USPC **D23/262**

(74) *Attorney, Agent, or Firm* — Kilpatrick Townsend & Stockton, LLP

(58) **Field of Classification Search**

USPC D9/435, 436; D23/259–266, 269, 365, D23/386, 393

CPC ... F16L 11/15; F16L 25/0045; F16L 25/0063; F16L 41/02; F16L 37/084; F16L 37/098;

F16L 21/00; Y10S 285/921

See application file for complete search history.

(57) **CLAIM**

The ornamental design for a pipe cuff, as shown and described.

DESCRIPTION

(56) **References Cited**

U.S. PATENT DOCUMENTS

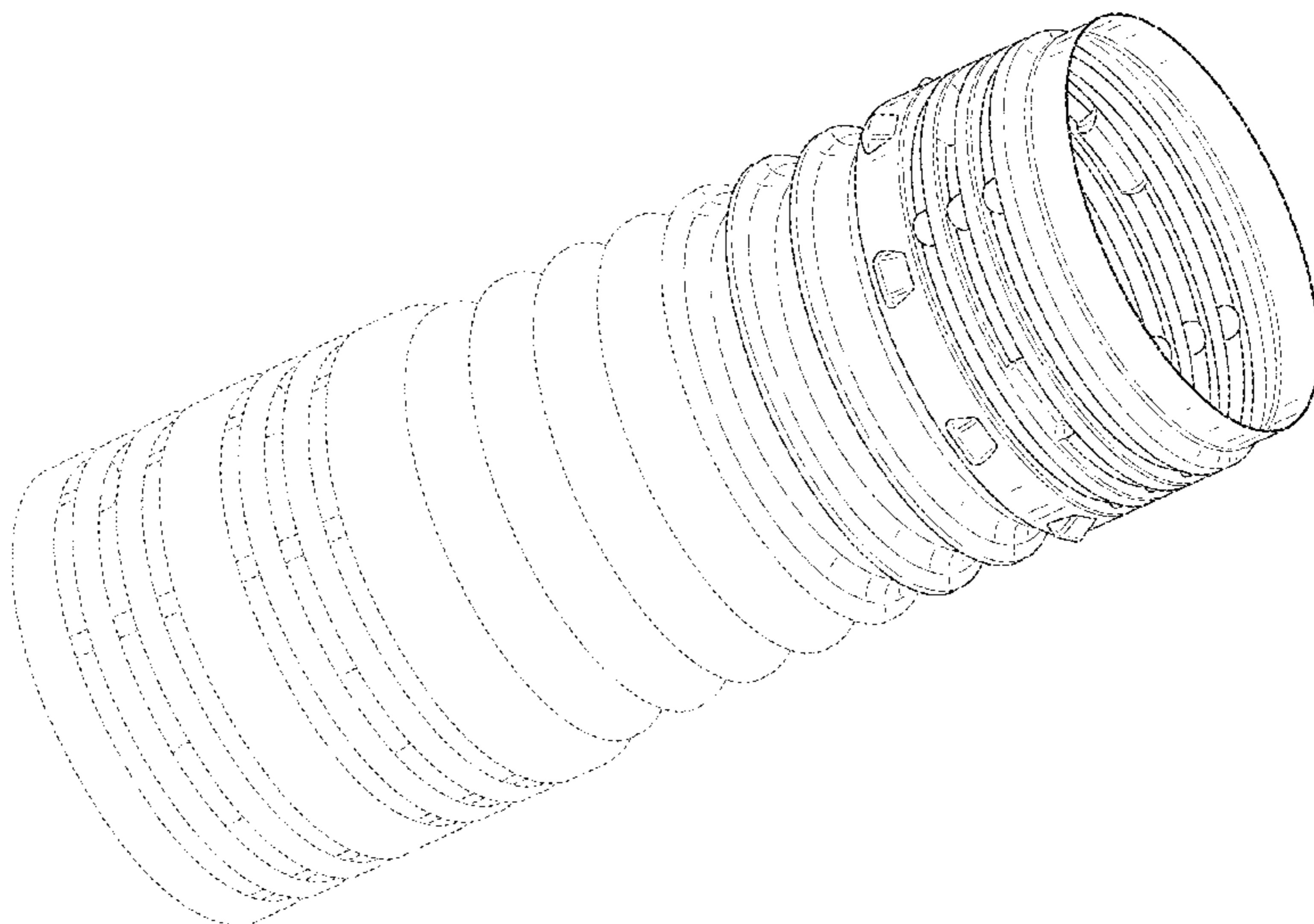
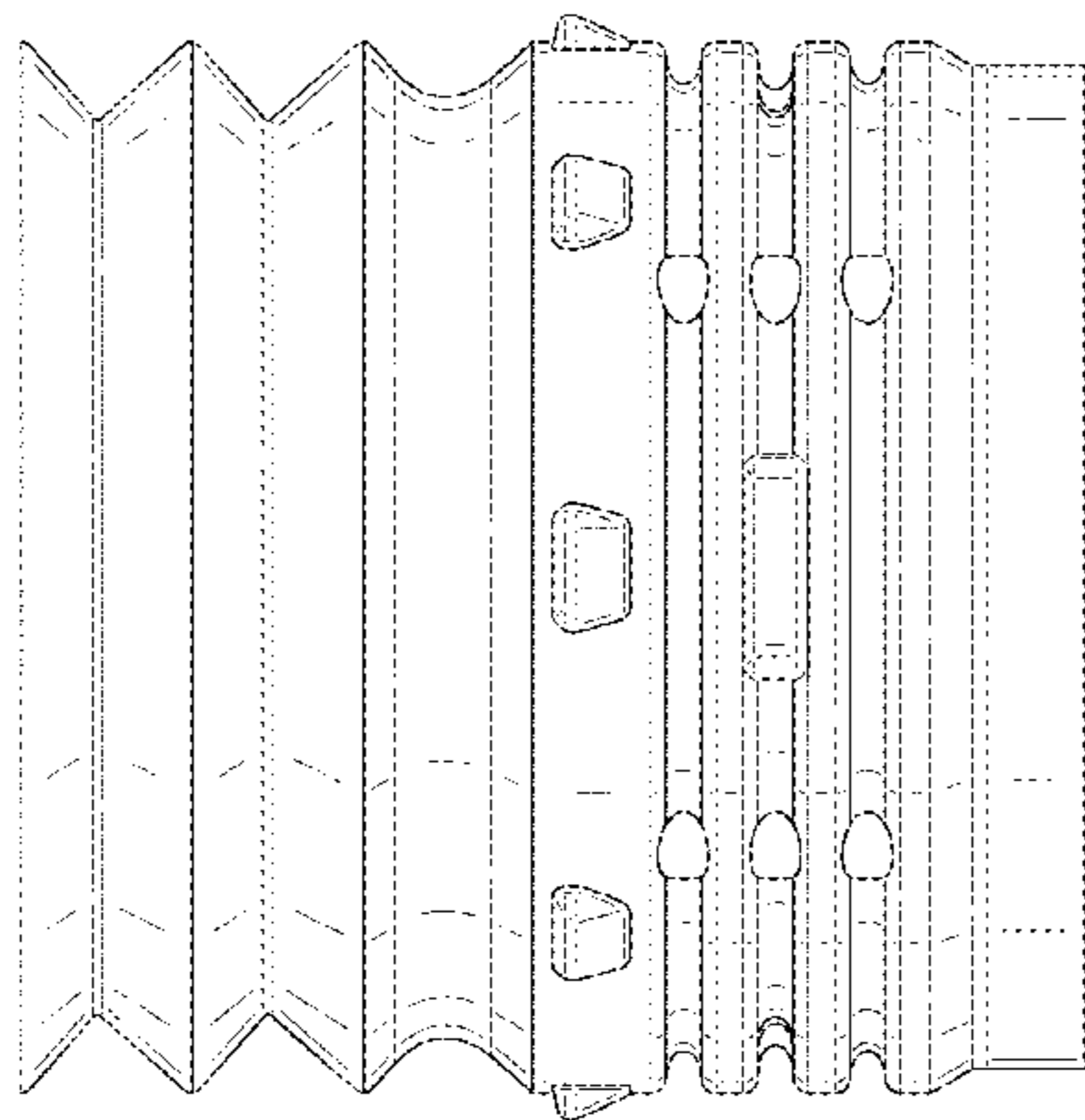
- 3,234,969 A 2/1966 DuMont
- 3,471,179 A 10/1969 Sixt
- 3,695,643 A 10/1972 Schmunk
- 3,727,953 A 4/1973 Martin
- 3,785,682 A 1/1974 Schaller
- 3,825,288 A 7/1974 Maroschak

FIG. 1 is a side view of a pipe cuff, with all sides being identical.

FIG. 2 is an end view of the pipe cuff of FIG. 1; and, FIG. 3 is perspective side view of the pipe cuff of FIG. 1, shown attached to another pipe cuff section.

The broken lines shown in the drawing depict environmental subject matter only and form no part of the claim.

1 Claim, 3 Drawing Sheets



(56)

References Cited

U.S. PATENT DOCUMENTS

4,286,808 A 9/1981 Fouss
 4,314,717 A 2/1982 Bjurman
 4,440,406 A 4/1984 Ericson
 4,480,855 A 11/1984 Rosenbaum
 4,570,976 A 2/1986 Othold
 D297,043 S 8/1988 Vander Wilt
 4,793,728 A 12/1988 Ellis
 4,810,008 A 3/1989 Brodie
 4,913,473 A 4/1990 Bonnema
 4,923,227 A 5/1990 Petty
 4,969,670 A 11/1990 Bonnema
 5,041,256 A 8/1991 Petty
 5,094,482 A 3/1992 Petty
 D332,481 S 1/1993 Petty
 5,332,270 A 7/1994 Petty
 5,335,945 A 8/1994 Meyers
 5,415,436 A 5/1995 Claes
 5,560,163 A 10/1996 Carlton
 D380,813 S 7/1997 Motz
 5,689,921 A 11/1997 Carlton
 5,813,701 A 9/1998 Noble
 5,829,916 A 11/1998 Evans
 5,915,735 A 6/1999 Noble
 D427,668 S * 7/2000 Stout, Jr. D23/262
 6,941,972 B2 * 9/2005 Toliver F16L 11/15
 138/115
 D594,937 S * 6/2009 Price D23/259

7,677,271 B2 3/2010 Boettner
 7,871,109 B1 1/2011 McKinnon
 D634,406 S * 3/2011 Klimas D23/262
 D676,943 S * 2/2013 Kluss D23/262
 D703,794 S * 4/2014 Luke D23/262
 D713,512 S * 9/2014 Luke D23/262
 D713,943 S * 9/2014 Luke D23/262
 D713,944 S * 9/2014 Luke D23/262
 D715,145 S * 10/2014 Yamagishi et al. D23/259
 2007/0051417 A1 * 3/2007 Boettner F16L 37/084
 138/121
 2011/0068569 A1 * 3/2011 Boettner F16L 11/15
 285/133.21
 2013/0200608 A1 * 8/2013 Boettner F16L 11/15
 285/125.1
 2013/0257038 A1 10/2013 Boettner
 2014/0130929 A1 * 5/2014 Elliott F16L 11/11
 138/121

OTHER PUBLICATIONS

U.S. Appl. No. 13/903,643, "Final Office Action", Jun. 30, 2014, 28 pages.
 U.S. Appl. No. 13/903,643, "Non-Final Office Action", Nov. 15, 2013, 19 Pages.
 U.S. Appl. No. 13/903,643, "Non-Final Office Action", Jan. 23, 2015, 35 pages.
 U.S. Appl. No. 12/884,313, "Non-Final Office Action", Jan. 24, 2013, 16 pages.

* cited by examiner

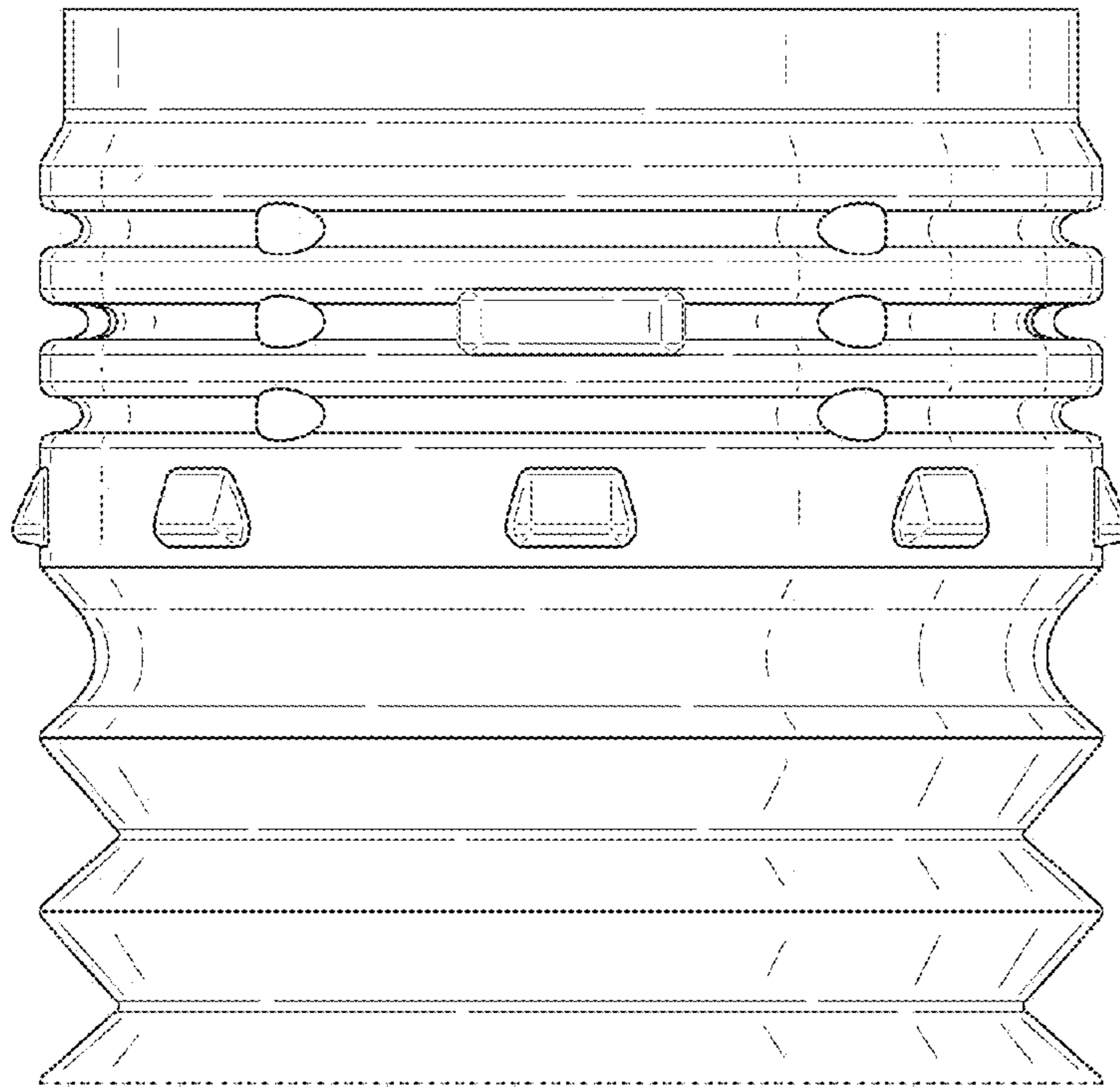


FIG. 1

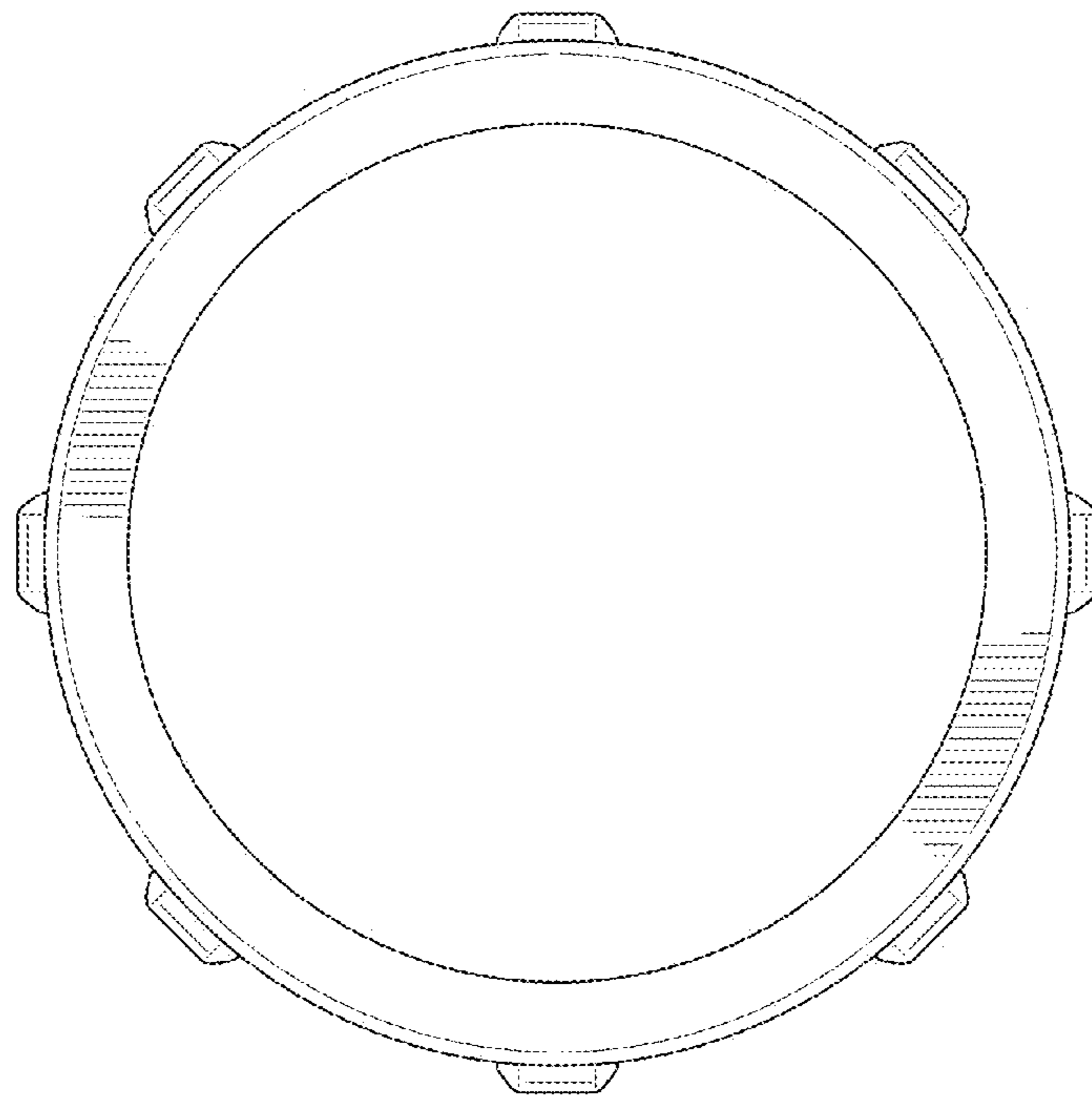


FIG. 2

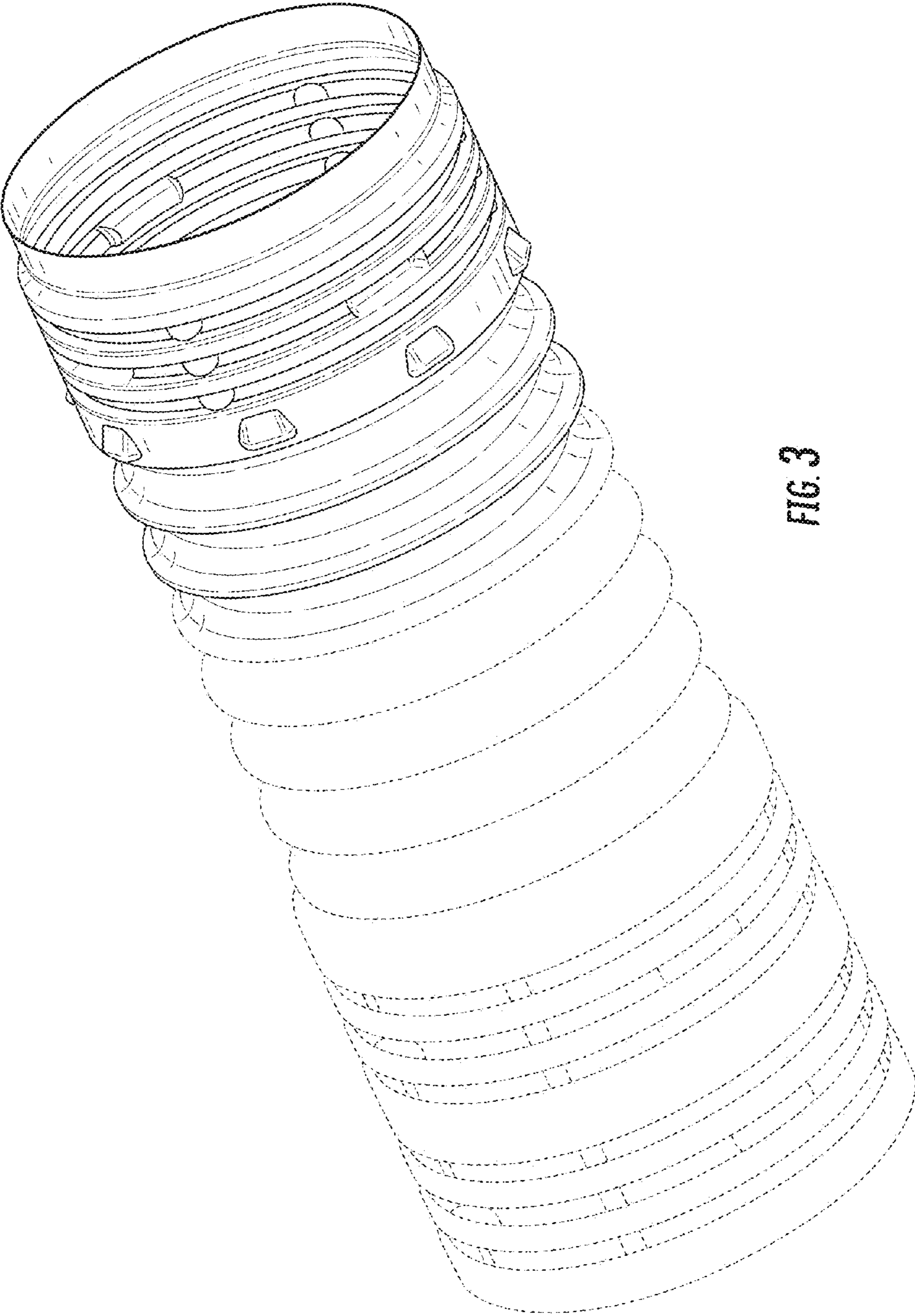


FIG. 3