



US00D752721S

(12) **United States Design Patent**  
**Wildfang et al.**

(10) **Patent No.:** **US D752,721 S**  
(45) **Date of Patent:** **\*\* Mar. 29, 2016**

(54) **HOSE COUPLING**

(71) Applicant: **Neoperl GmbH**, Mullheim (DE)

(72) Inventors: **Fabian Wildfang**, Mullheim (DE);  
**Werner Kury**, Mullheim (DE)

(73) Assignee: **Neoperl GmbH**, Müllheim (DE)

(\*\*) Term: **14 Years**

(21) Appl. No.: **29/503,996**

(22) Filed: **Oct. 1, 2014**

(30) **Foreign Application Priority Data**

Apr. 17, 2014 (EM) ..... DM/083 751

(51) **LOC (10) Cl.** ..... **23-01**

(52) **U.S. Cl.**  
USPC ..... **D23/262**

(58) **Field of Classification Search**  
USPC ..... D23/259-266; D13/133  
CPC ..... F16L 33/225; F16L 33/224; F16L 33/01;  
F16L 55/132; E21B 17/024; E03C 1/122;  
E03D 9/031; F16K 47/08  
See application file for complete search history.

(56) **References Cited**

**U.S. PATENT DOCUMENTS**

D245,704 S *	9/1977	Dyrup	.....	D23/265
D254,505 S *	3/1980	Parsons	.....	D23/262
D254,802 S *	4/1980	Hayes	.....	D23/262
D254,863 S *	4/1980	Hayes	.....	D23/262
D258,636 S *	3/1981	Boyko	.....	81/176.1
D262,133 S *	12/1981	Fain	.....	D23/262
D265,418 S *	7/1982	Chow	.....	D23/262
D283,342 S *	4/1986	Tisserat	.....	D23/262
D299,772 S *	2/1989	Smith	.....	D32/31
D300,574 S *	4/1989	Smith	.....	D32/31
D314,848 S *	2/1991	Foldes	.....	D32/31
D327,120 S *	6/1992	Ambrosi	.....	D23/262
D356,147 S *	3/1995	Clivio	.....	D23/262

D394,306 S *	5/1998	Clivio	.....	D23/262
D402,012 S *	12/1998	Clivio	.....	D23/262
D402,357 S *	12/1998	Clivio	.....	D23/262
D403,056 S *	12/1998	Clivio	.....	D23/262
D441,849 S *	5/2001	Plewa vom Berg	.....	D23/265
D475,768 S *	6/2003	Walker	.....	D23/262
D475,769 S *	6/2003	Walker	.....	D23/262
D501,673 S *	2/2005	Bressler	.....	D23/262
D511,203 S *	11/2005	Bressler	.....	D23/262
D532,947 S *	11/2006	Muscarella	.....	D32/31
D679,784 S *	4/2013	Meyer	.....	D23/262
D687,528 S *	8/2013	Meyer	.....	D23/262
D730,518 S *	5/2015	Lombardi, III	.....	D24/129
D736,357 S *	8/2015	Melo	.....	D23/262
D736,358 S *	8/2015	Melo	.....	D23/262
D736,359 S *	8/2015	Melo	.....	D23/262
D738,471 S *	9/2015	Melo	.....	D23/262

\* cited by examiner

*Primary Examiner* — John Windmuller

*Assistant Examiner* — Steven Czyz

(74) *Attorney, Agent, or Firm* — Volpe and Koenig, P.C.

(57) **CLAIM**

The ornamental design for a hose coupling, as shown and described.

**DESCRIPTION**

FIG. 1 is a top view of a hose coupling in accordance with our design;

FIG. 2 is a top, front perspective view thereof;

FIG. 3 is a top, rear perspective view thereof;

FIG. 4 is a bottom view thereof;

FIG. 5 is a bottom, front perspective view thereof;

FIG. 6 is a bottom, rear perspective view thereof;

FIG. 7 is a rear elevation view thereof;

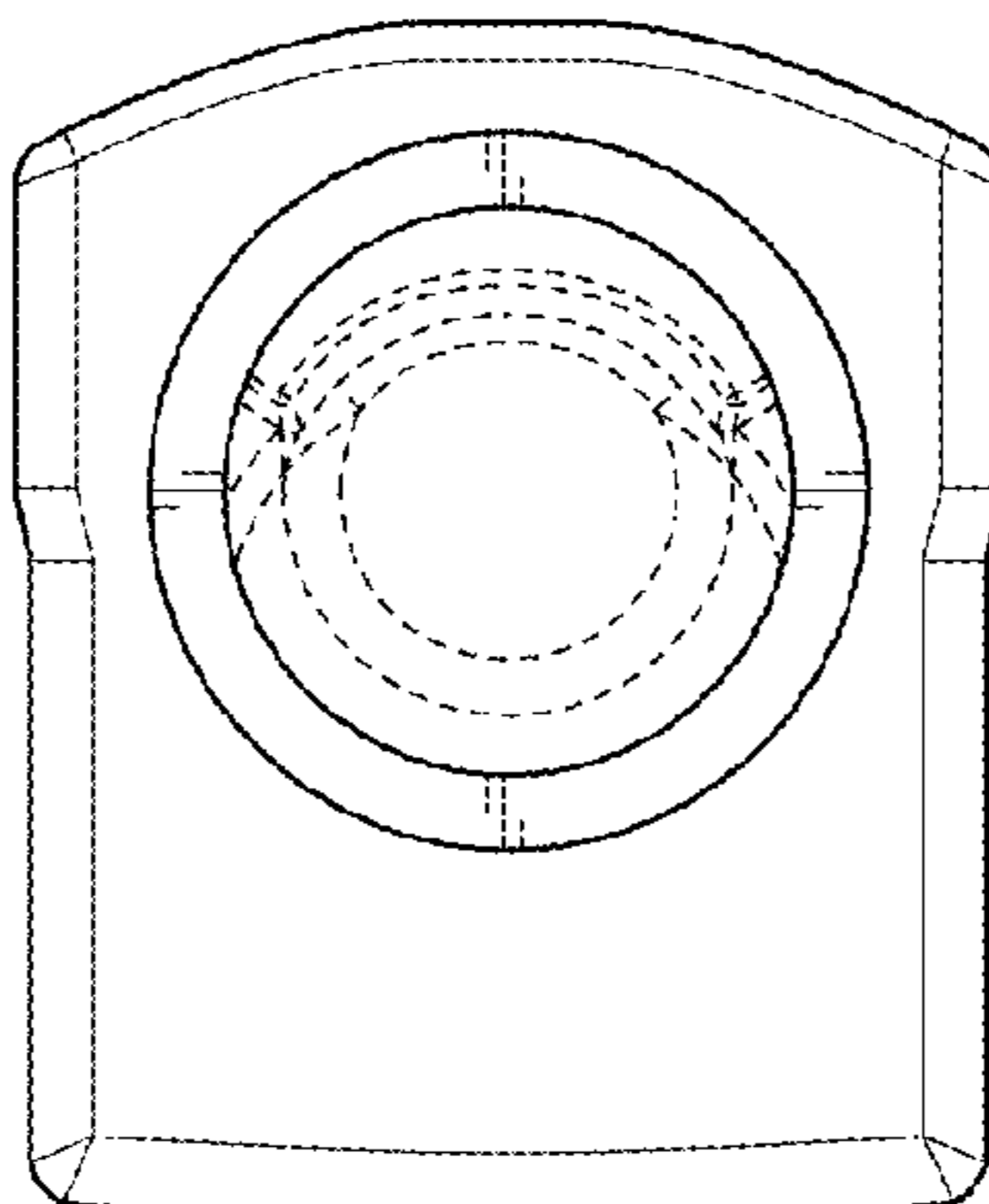
FIG. 8 is a right side elevation view thereof;

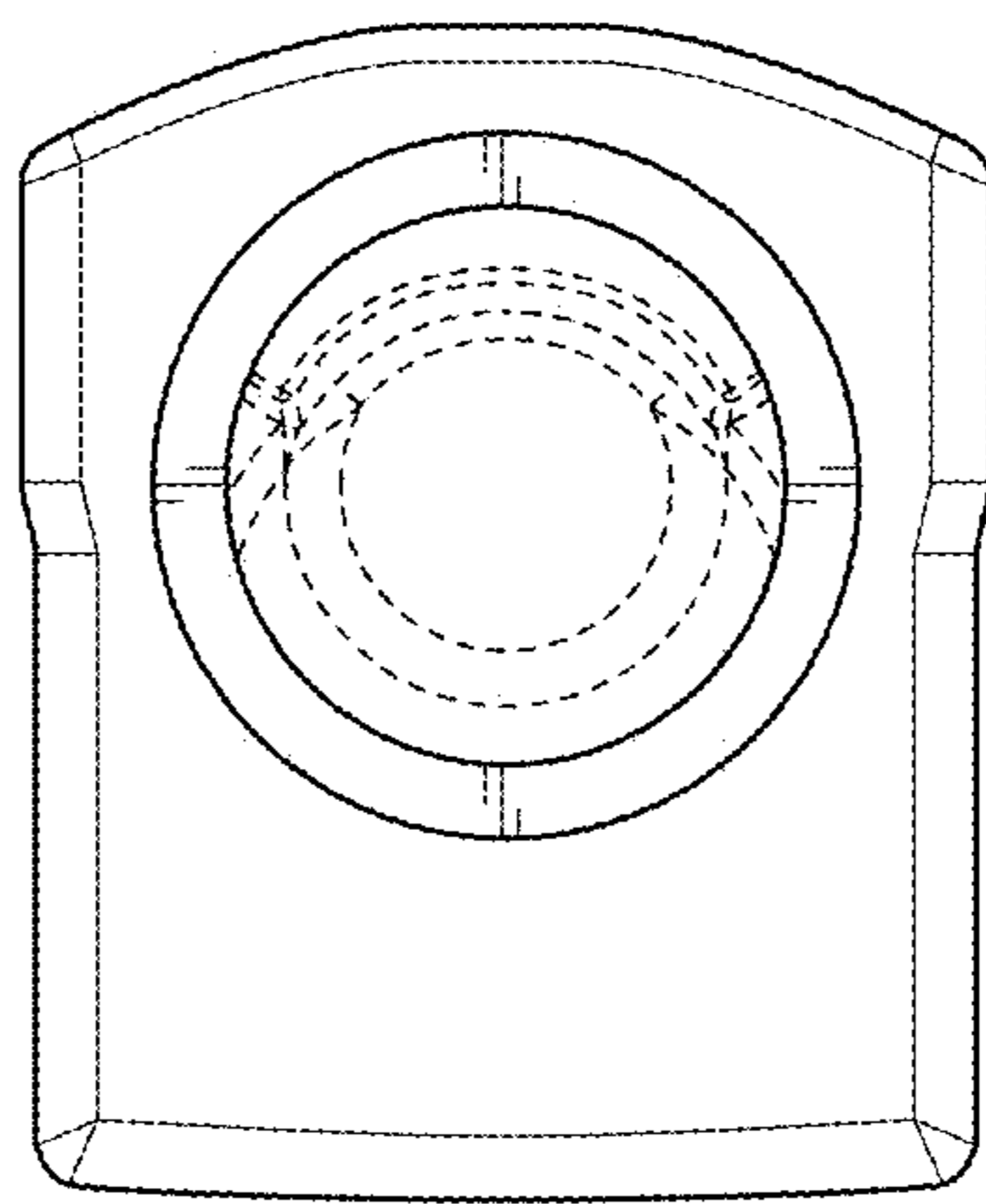
FIG. 9 is a front elevation view thereof; and,

FIG. 10 is a left side elevation view thereof.

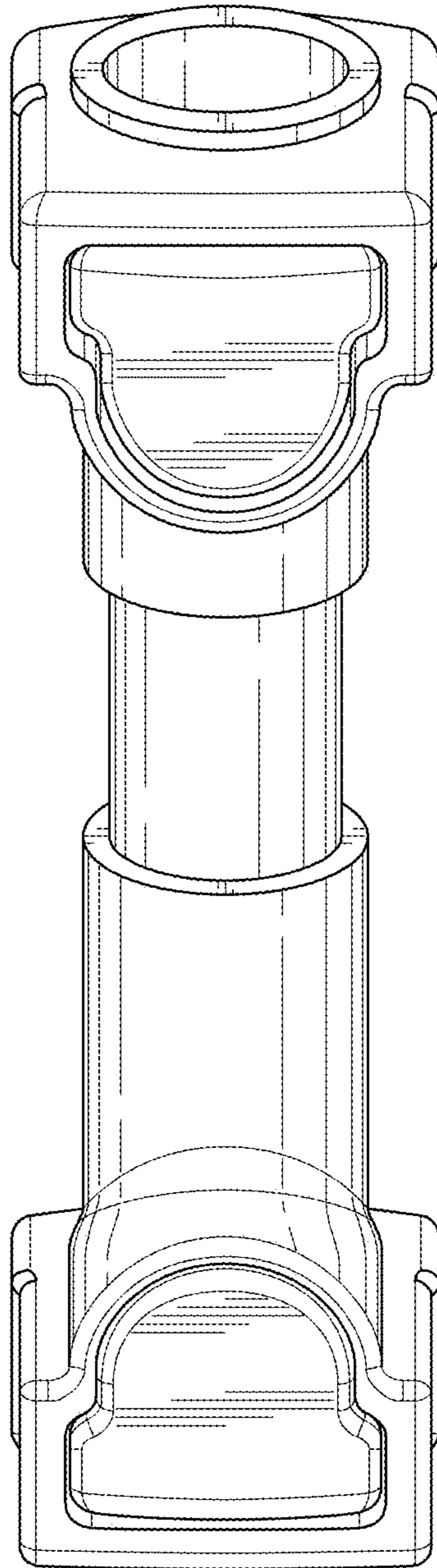
The broken lines depict portions of the article that form no part of the claimed design.

**1 Claim, 10 Drawing Sheets**

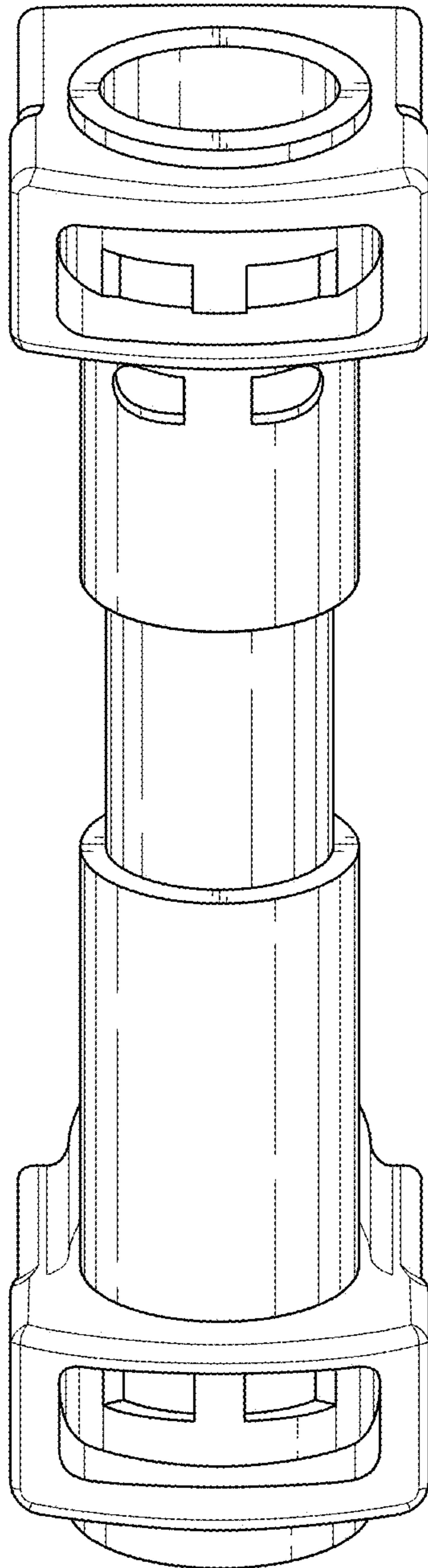




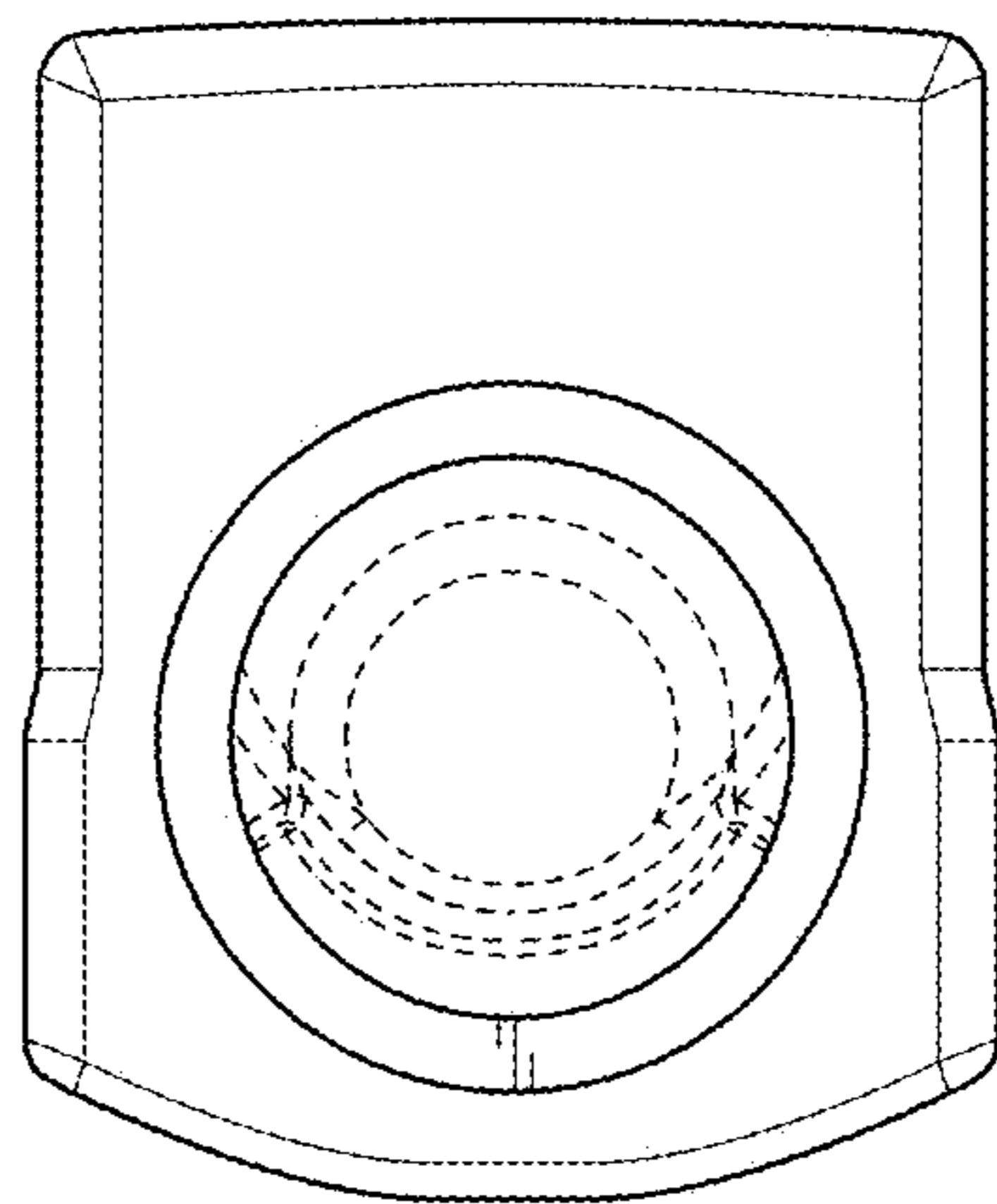
**FIG. 1**



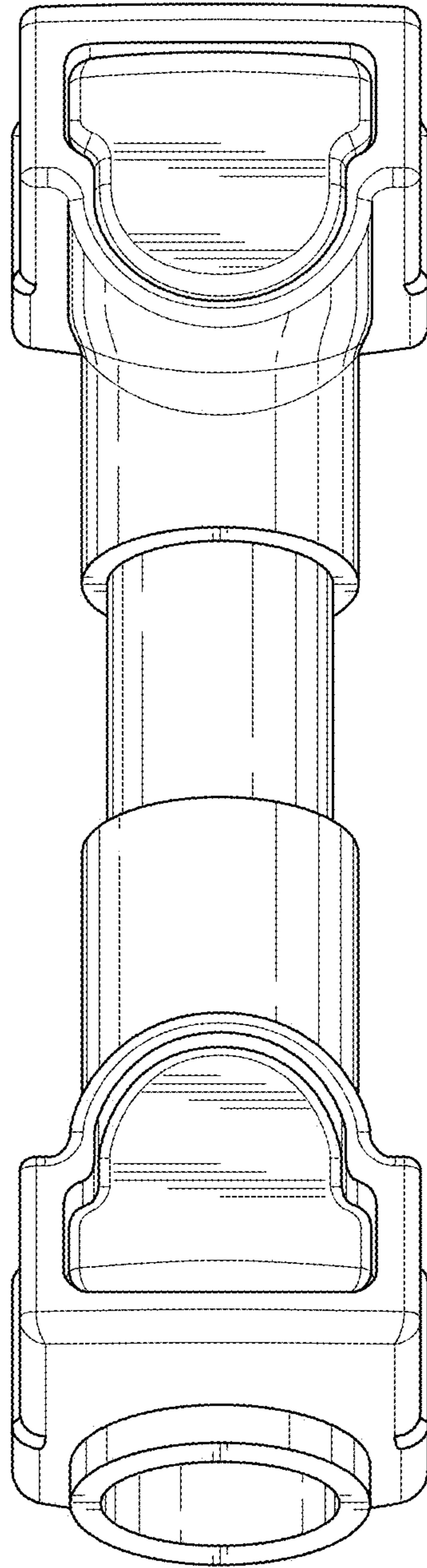
**FIG. 2**



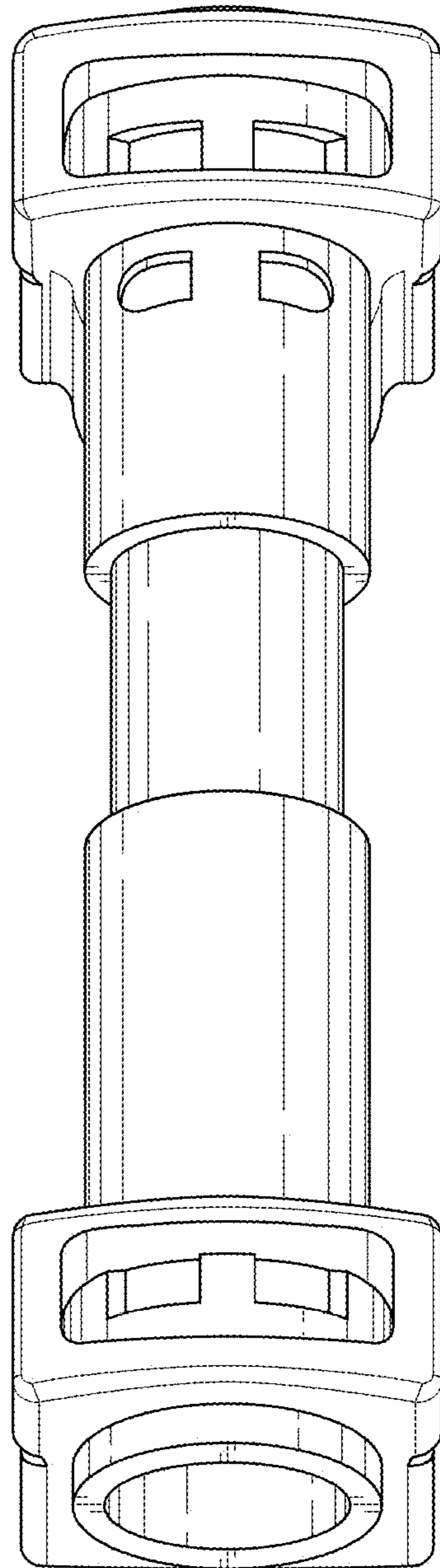
**FIG. 3**



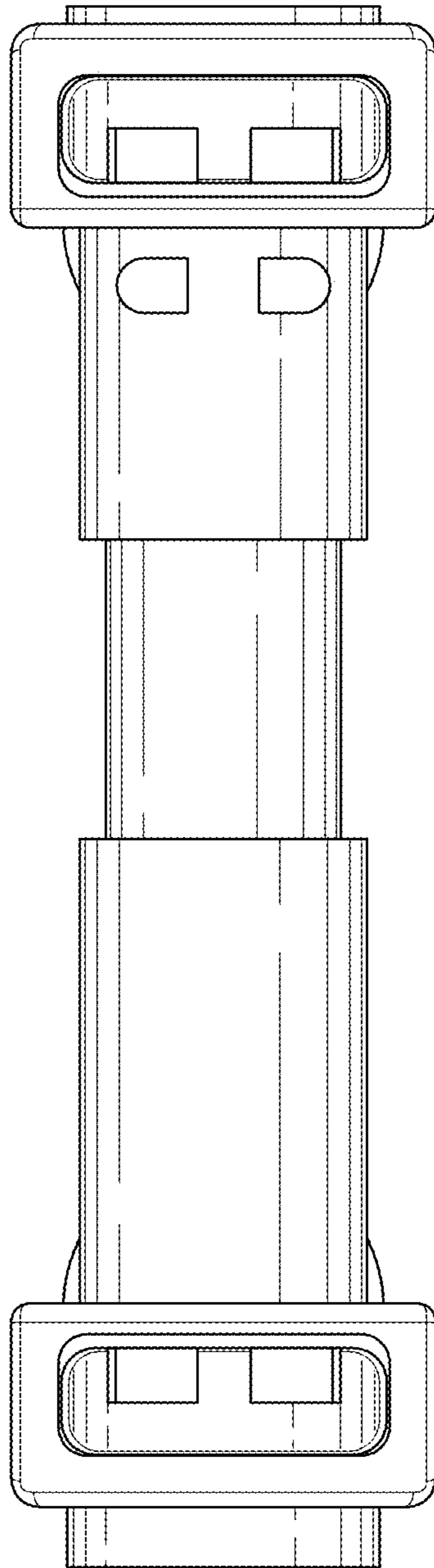
**FIG. 4**



**FIG. 5**

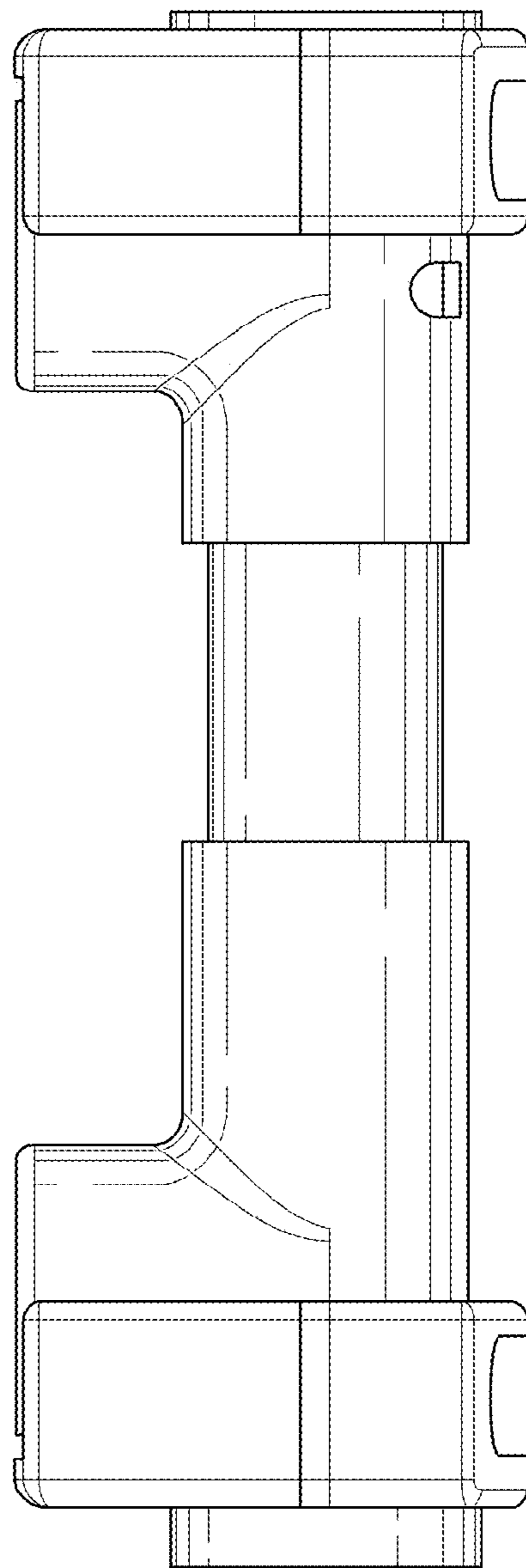


**FIG. 6**

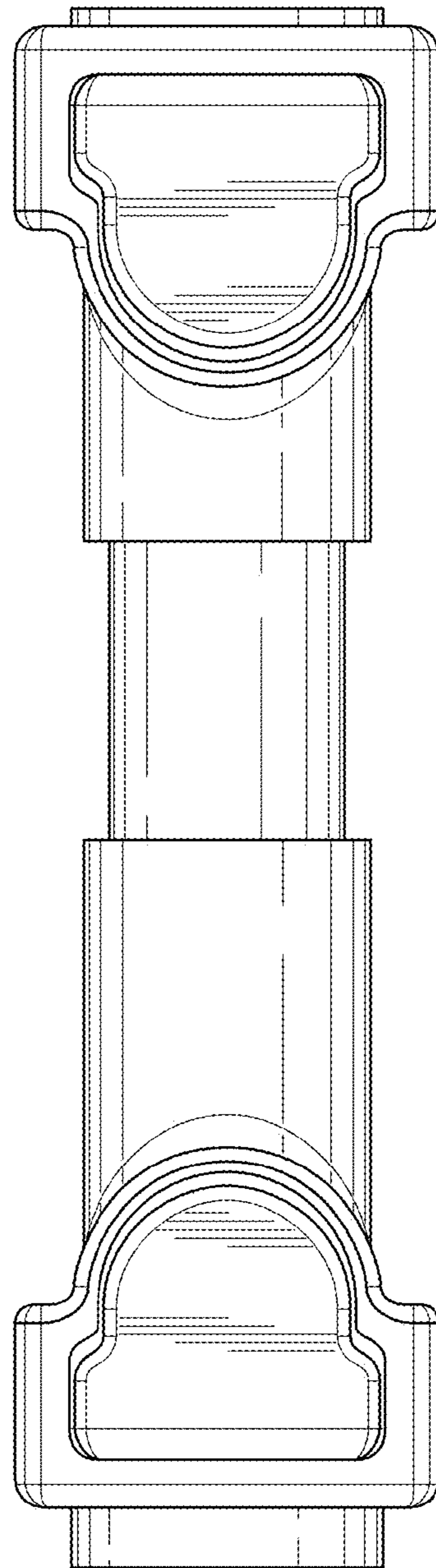


**FIG. 7**

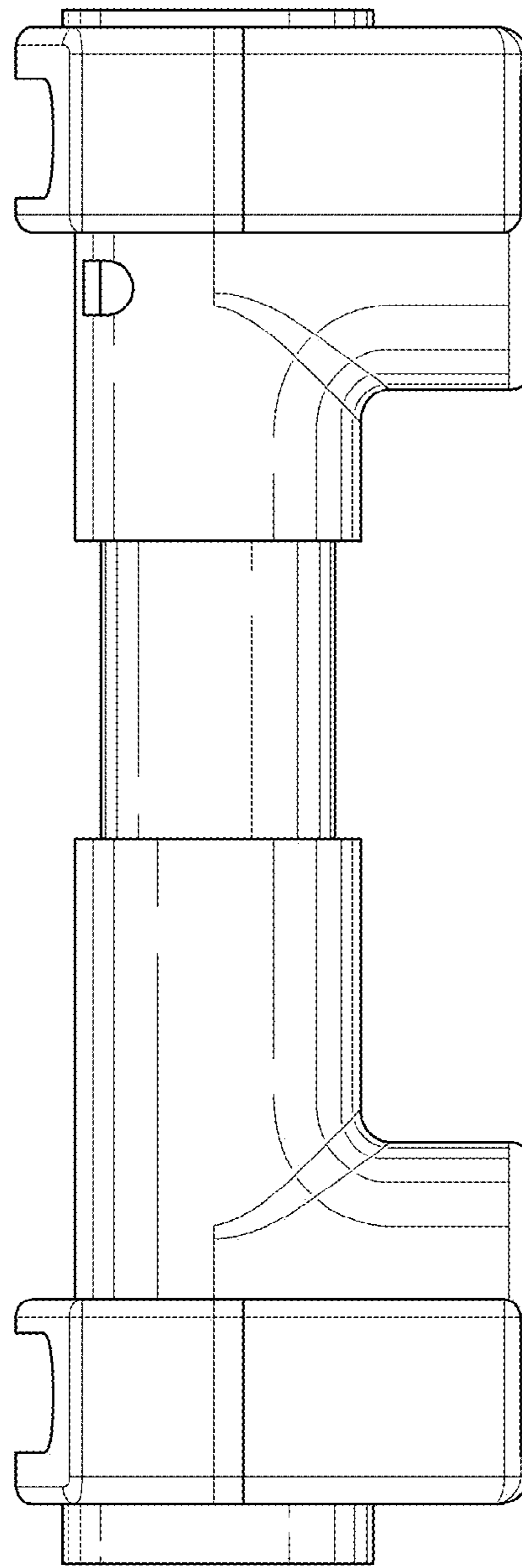




**FIG. 8**



**FIG. 9**



**FIG. 10**