



US00D752719S

(12) **United States Design Patent**
Lehmann

(10) **Patent No.:** **US D752,719 S**
(45) **Date of Patent:** **** Mar. 29, 2016**

(54) **CONNECTOR**

(71) Applicant: **Fiskars Oyj Abp**, Helsinki (FI)

(72) Inventor: **Charles A. Lehmann**, Metamora, IL (US)

(73) Assignee: **Fiskars Oyj Abp**, Helsinki (FI)

(**) Term: **14 Years**

(21) Appl. No.: **29/453,325**

(22) Filed: **Apr. 26, 2013**

(51) **LOC (10) Cl.** **23-01**

(52) **U.S. Cl.**
USPC **D23/259**

(58) **Field of Classification Search**

USPC D23/233, 259-269; 285/86-93, 285/179-182

CPC F16L 2201/20; F16L 2201/60; F16L 2201/10; F16L 37/133; F16L 37/0985; F16L 27/0845; F16L 43/008; B29C 66/5229

See application file for complete search history.

(56) **References Cited**

U.S. PATENT DOCUMENTS

D33,307 S *	10/1900	Thompson	D23/262
1,540,504 A	6/1925	Seaman		
1,851,992 A *	4/1932	Smith	285/86
2,165,163 A *	7/1939	Waters	285/91
2,978,262 A *	4/1961	Franck	285/248
3,162,470 A *	12/1964	Owens et al.	285/86
3,895,466 A	7/1975	Melton		
4,194,768 A *	3/1980	Gretz	285/151.1
4,225,162 A *	9/1980	Dola	285/139.1

(Continued)

OTHER PUBLICATIONS

Non-Final Office Action on U.S. Appl. No. 29/453,319, mail date May 20, 2015, 8 pages.

(Continued)

Primary Examiner — Kevin Rudzinski

Assistant Examiner — John Reickel

(74) *Attorney, Agent, or Firm* — Foley & Lardner LLP

(57) **CLAIM**

The ornamental design for a connector, as shown and described.

DESCRIPTION

FIG. 1 is a perspective view of a first embodiment of a connector showing my new design;

FIG. 2 is a front elevational view showing the design for the connector of FIG. 1;

FIG. 3 is a rear elevational view showing the design for the connector of FIG. 1;

FIG. 4 is a right side elevational view showing the design for the connector of FIG. 1;

FIG. 5 is a left side elevational view showing the design for the connector of FIG. 1;

FIG. 6 is a top plan view showing the design for the connector of FIG. 1; and

FIG. 7 is a bottom plan view showing the design for the connector of FIG. 1.

FIG. 8 is a perspective view of a second embodiment of a connector showing my new design;

FIG. 9 is a front elevational view showing the design for the connector of FIG. 8;

FIG. 10 is a rear elevational view showing the design for the connector of FIG. 8;

FIG. 11 is a right side elevational view showing the design for the connector of FIG. 8;

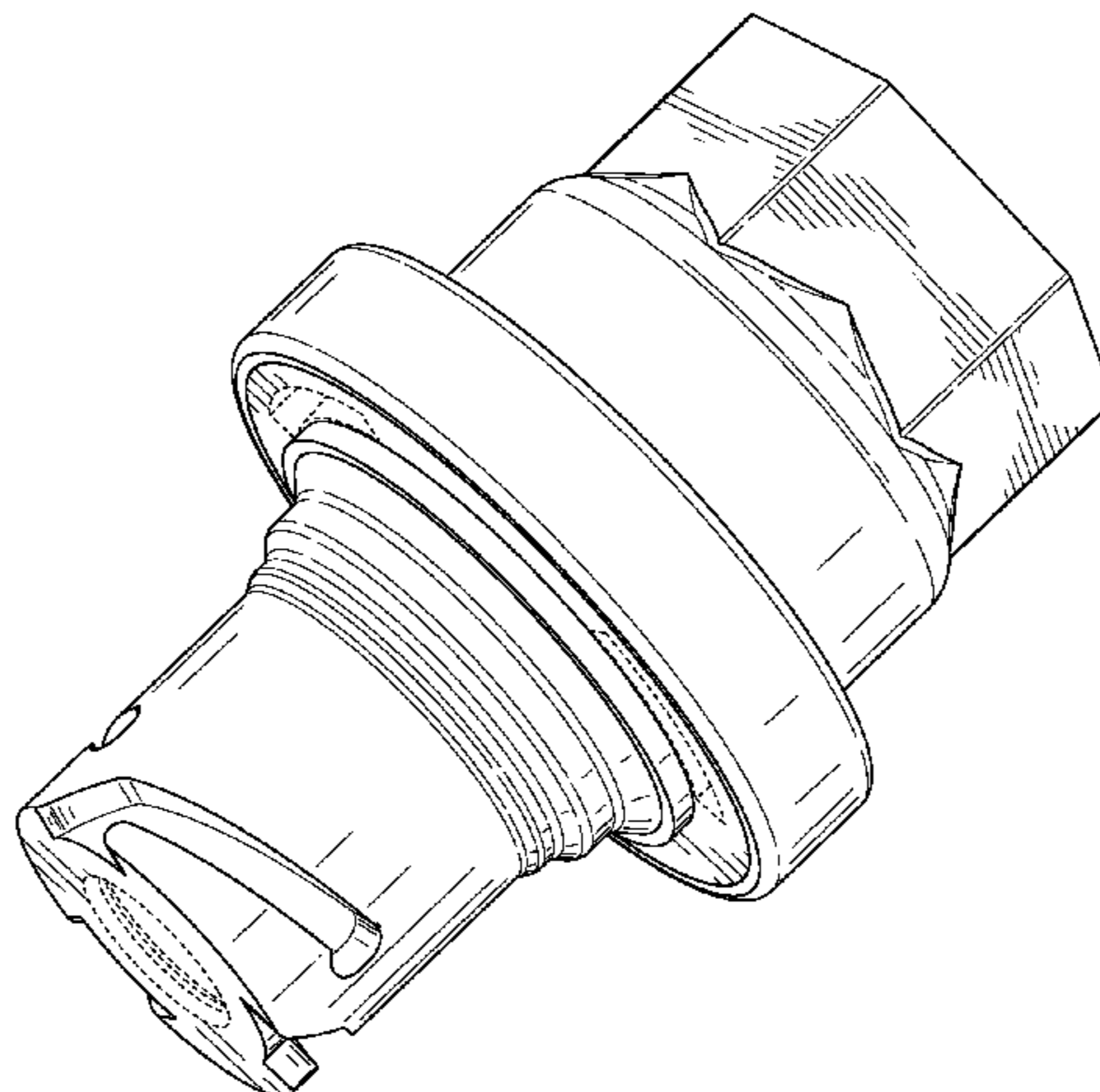
FIG. 12 is a left side elevational view showing the design for the connector of FIG. 8;

FIG. 13 is a top plan view showing the design for the connector of FIG. 8; and,

FIG. 14 is a bottom plan view showing the design for the connector of FIG. 8.

The broken line showing of interior details are included for the purpose of illustrating portions of the article and form no part of the claimed design.

1 Claim, 14 Drawing Sheets



(56)

References Cited

U.S. PATENT DOCUMENTS

4,645,281 A 2/1987 Burger
 4,688,833 A 8/1987 Todd
 4,703,957 A 11/1987 Blenkush
 4,708,370 A 11/1987 Todd
 4,844,512 A 7/1989 Gahwiler
 D314,814 S 2/1991 Lubeck
 5,188,399 A * 2/1993 Durina 285/91
 D362,900 S * 10/1995 Miska D23/260
 5,472,025 A * 12/1995 Conrad et al. 141/332
 D387,146 S * 12/1997 Morrison D23/262
 D397,413 S 8/1998 Sapp
 6,557,900 B1 * 5/2003 Austin 285/92
 D496,094 S * 9/2004 Stevens D23/262
 D508,980 S 8/2005 Bigelow
 D517,667 S * 3/2006 Sener et al. D23/262
 D533,259 S * 12/2006 Lewis et al. D23/262
 D543,947 S * 6/2007 Phung et al. D13/151
 D554,067 S 10/2007 Phung et al.
 D554,237 S 10/2007 Lewis et al.
 D592,288 S * 5/2009 Price et al. D23/259
 D594,938 S * 6/2009 Dirneder D23/262

7,681,925 B2 3/2010 Lambert et al.
 D627,038 S * 11/2010 Yu D23/260
 D634,406 S 3/2011 Klimas
 D639,398 S 6/2011 Wilhelm
 D709,996 S * 7/2014 Yu D23/262
 D716,916 S 11/2014 Snow
 D724,699 S * 3/2015 Wyne D23/259
 2006/0076419 A1 * 4/2006 Johnson 235/492
 2008/0185837 A1 * 8/2008 Danielson 285/86
 2010/0022951 A1 * 1/2010 Ferrera et al. 604/103
 2011/0278837 A1 * 11/2011 Yamamoto et al. 285/87

OTHER PUBLICATIONS

Non-Final Office Action on U.S. Appl. No. 29/453,323, mail date May 5, 2015, 7 pages.
 Notice of Allowance on U.S. Appl. No. 29/453,320, mail date Aug. 5, 2015, 7 pages.
 Notice of Allowance on U.S. Appl. No. 29/453,323, mail date Aug. 21, 2015, 5 pages.
 Restriction Requirement on U.S. Appl. No. 29/453,320, mail date May 5, 2015, 6 pages.

* cited by examiner

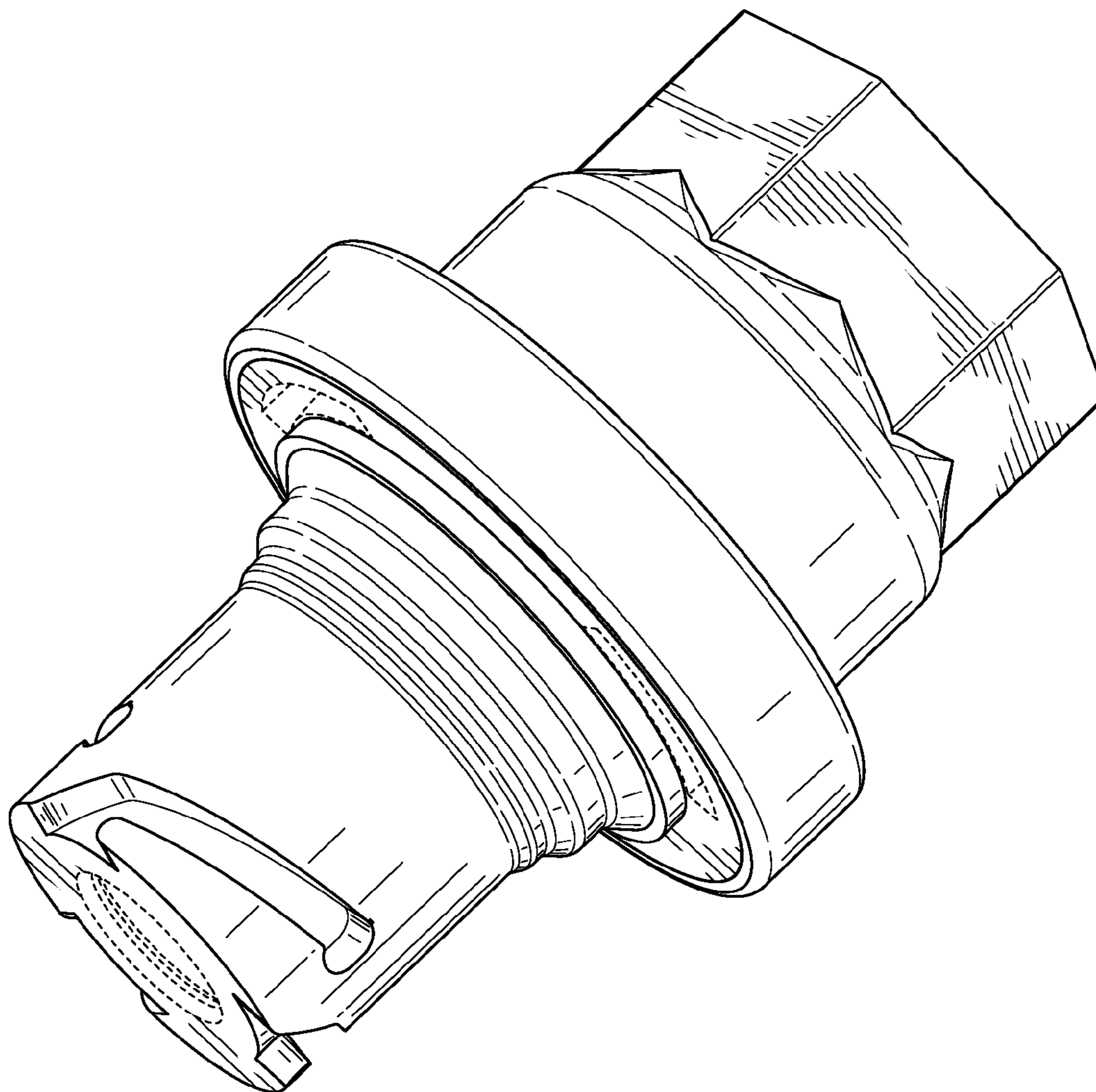


FIG. 1

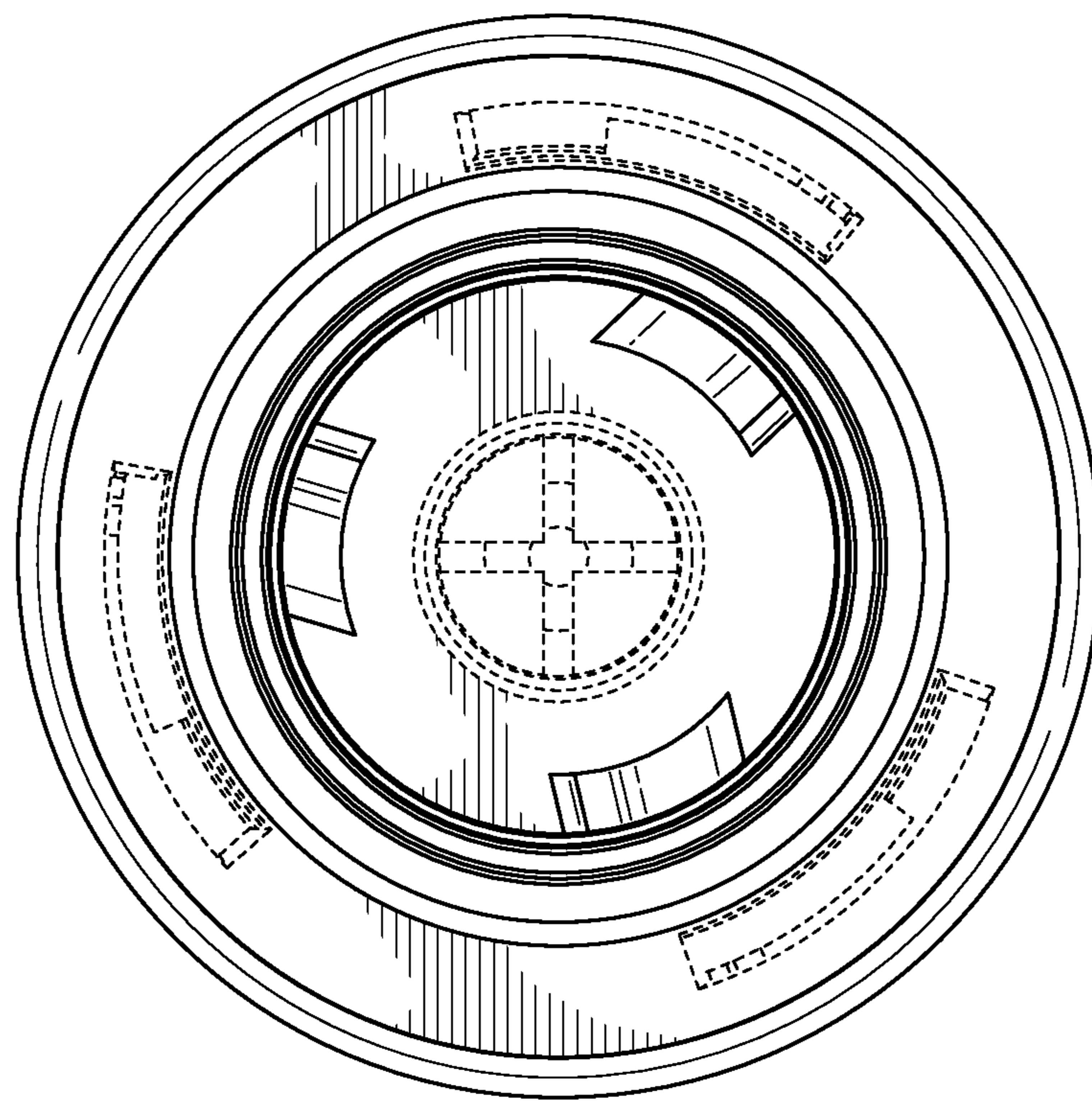


FIG. 2

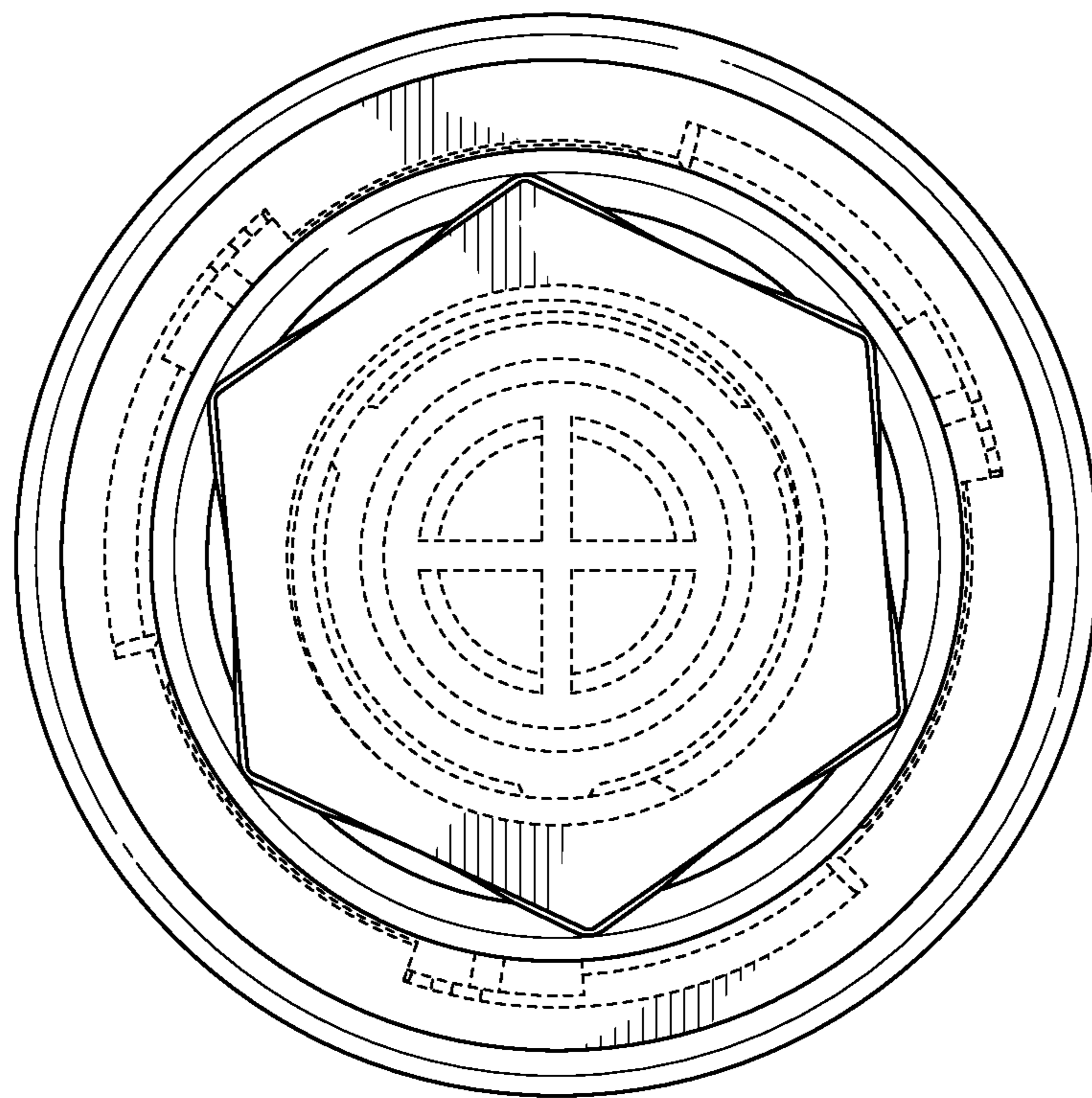


FIG. 3

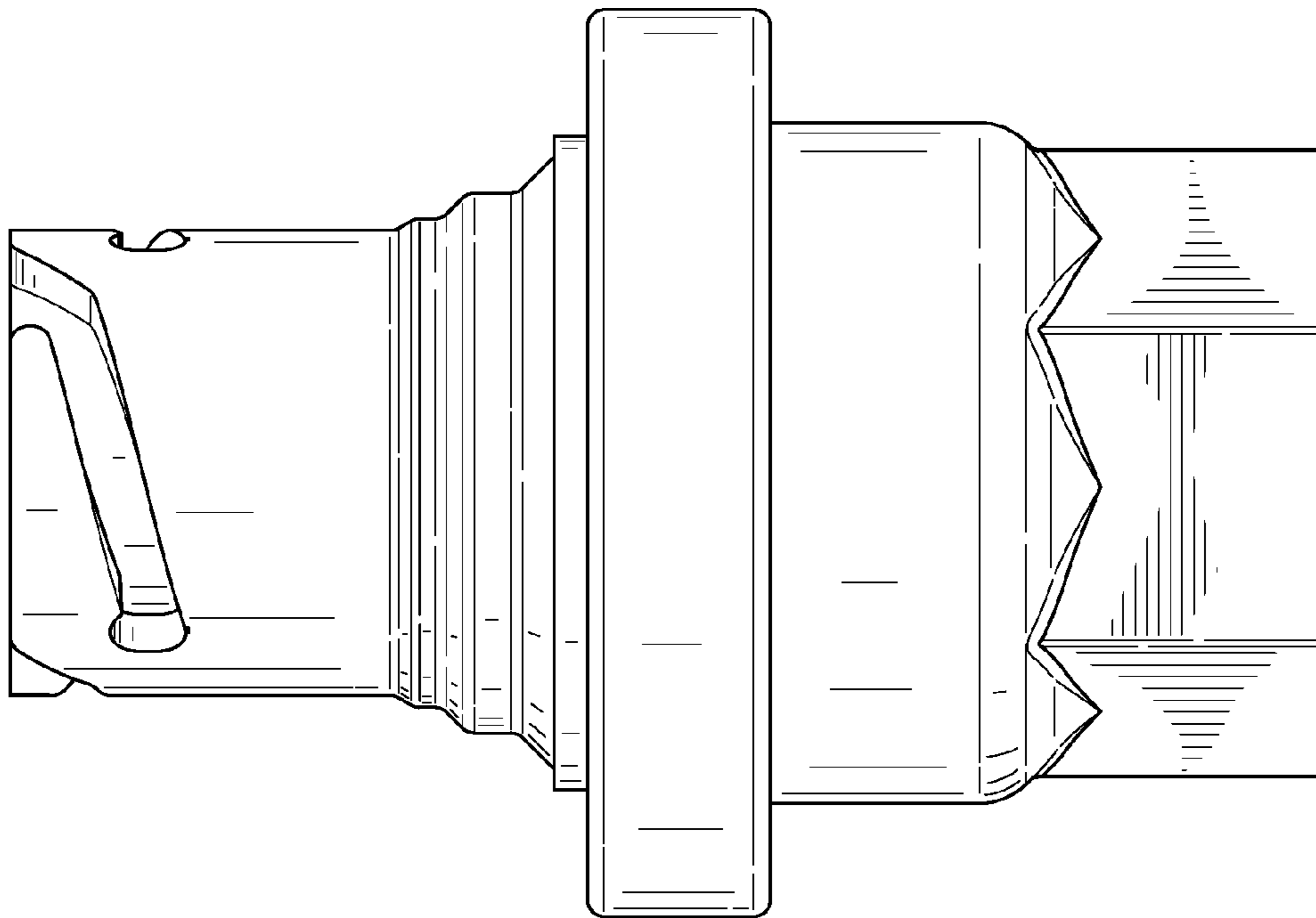


FIG. 4

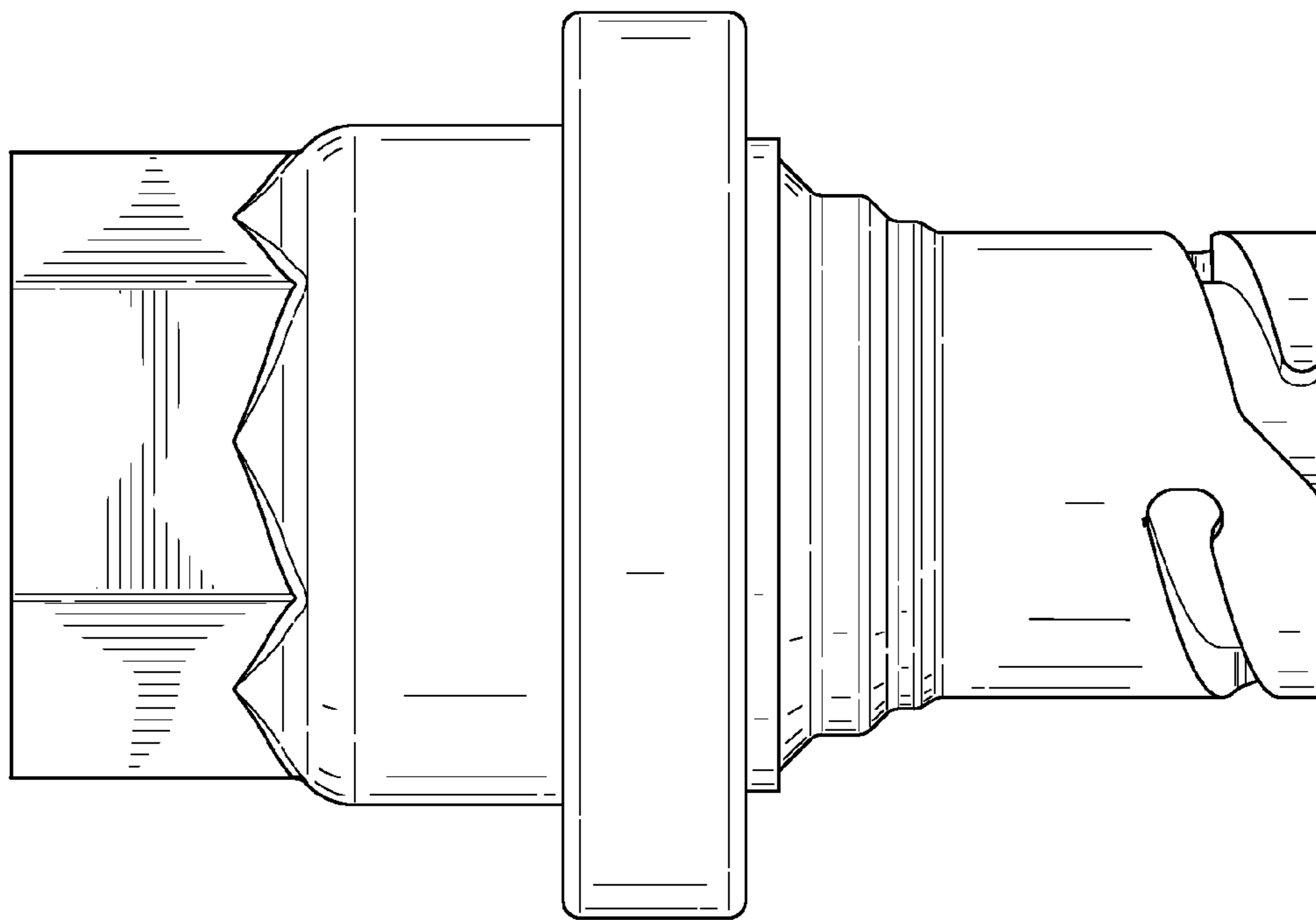


FIG. 5

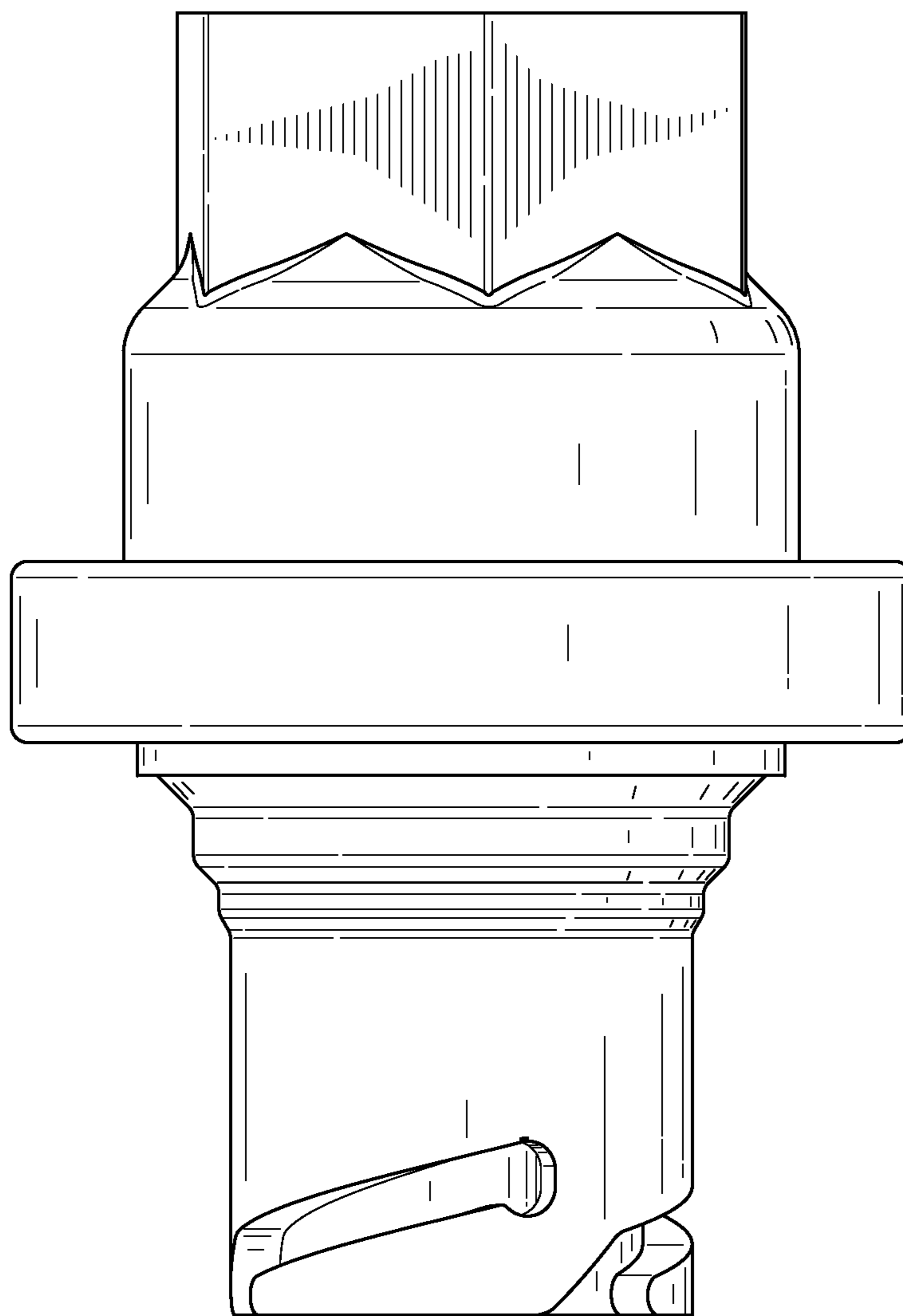


FIG. 6

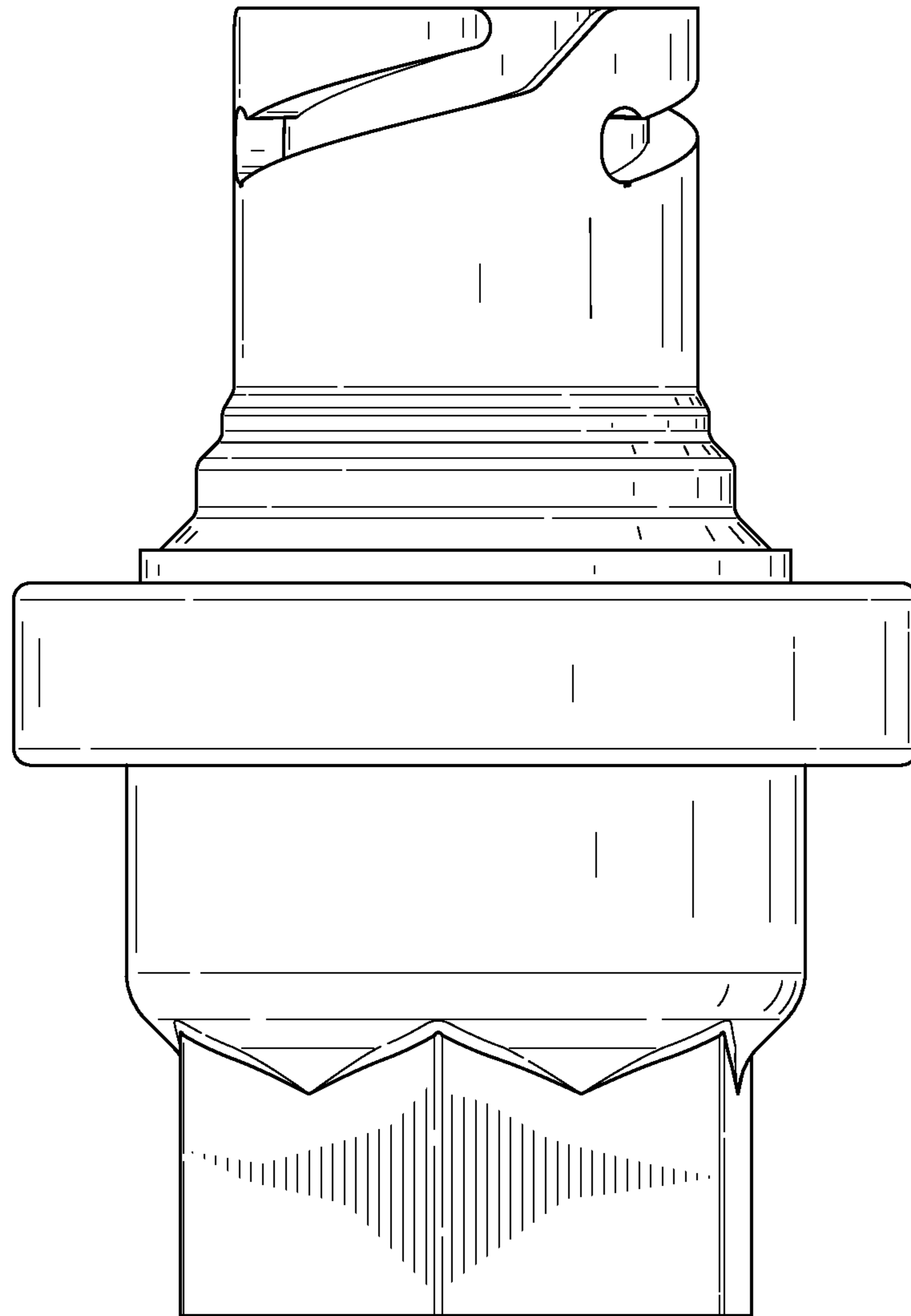


FIG. 7

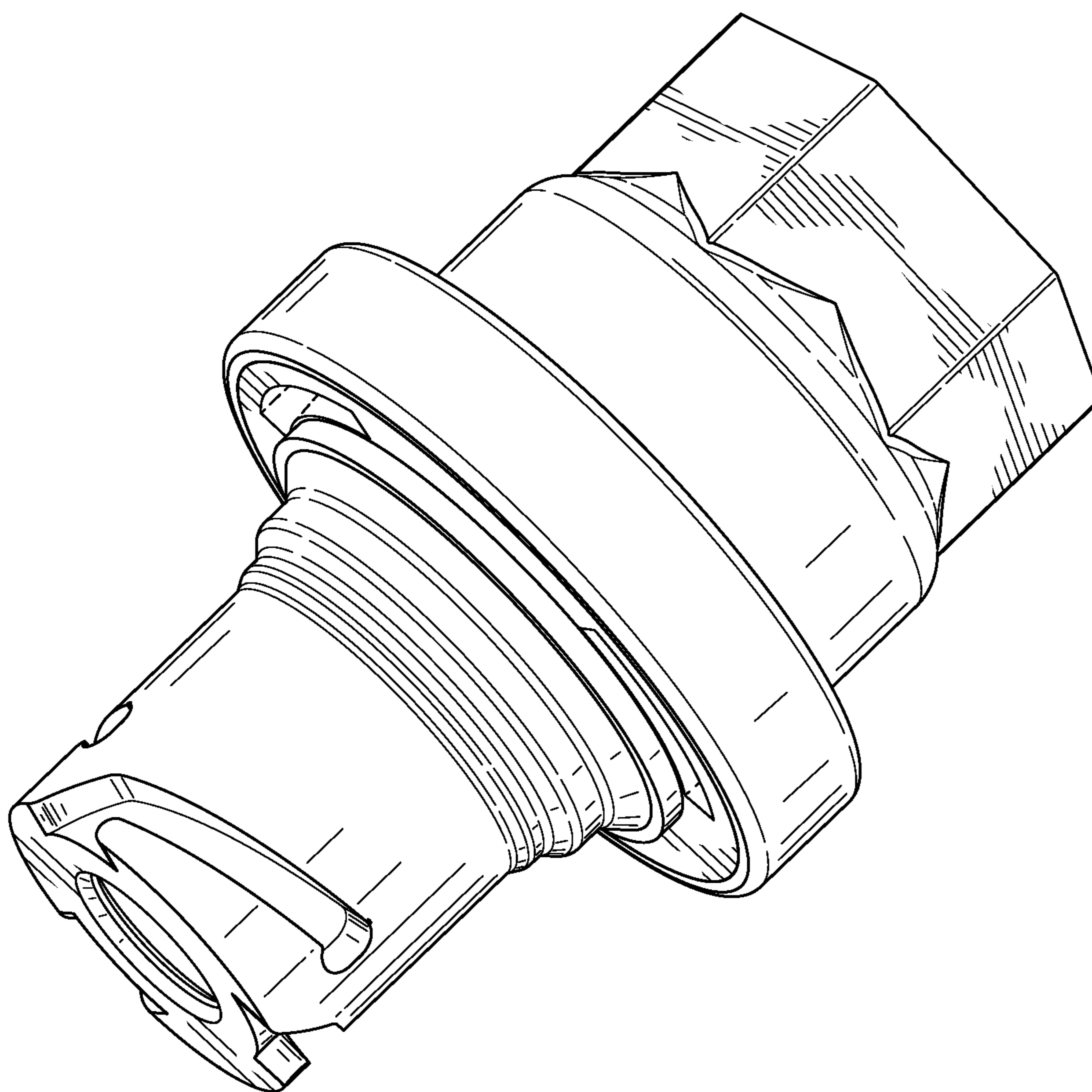


FIG. 8

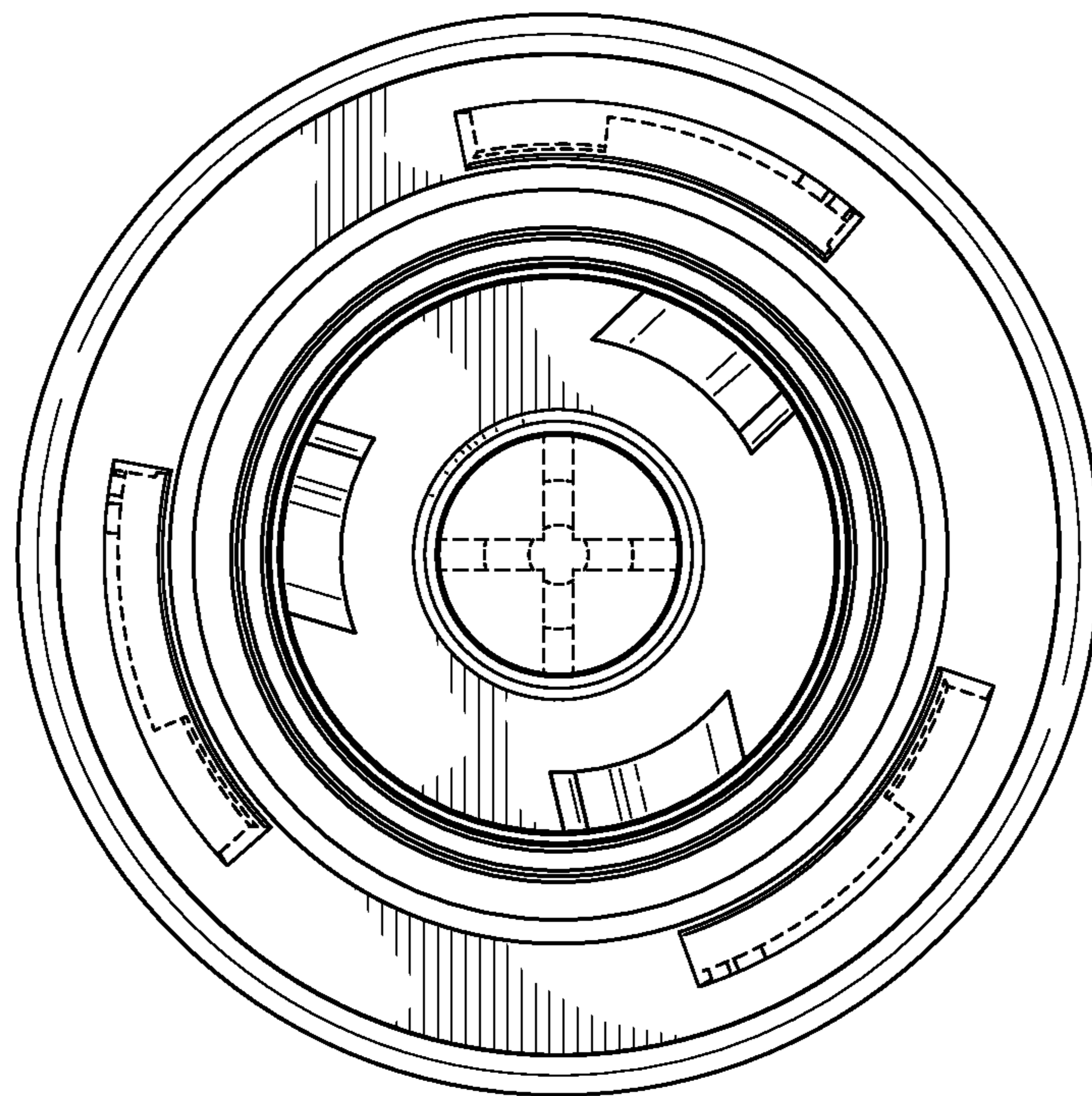


FIG. 9

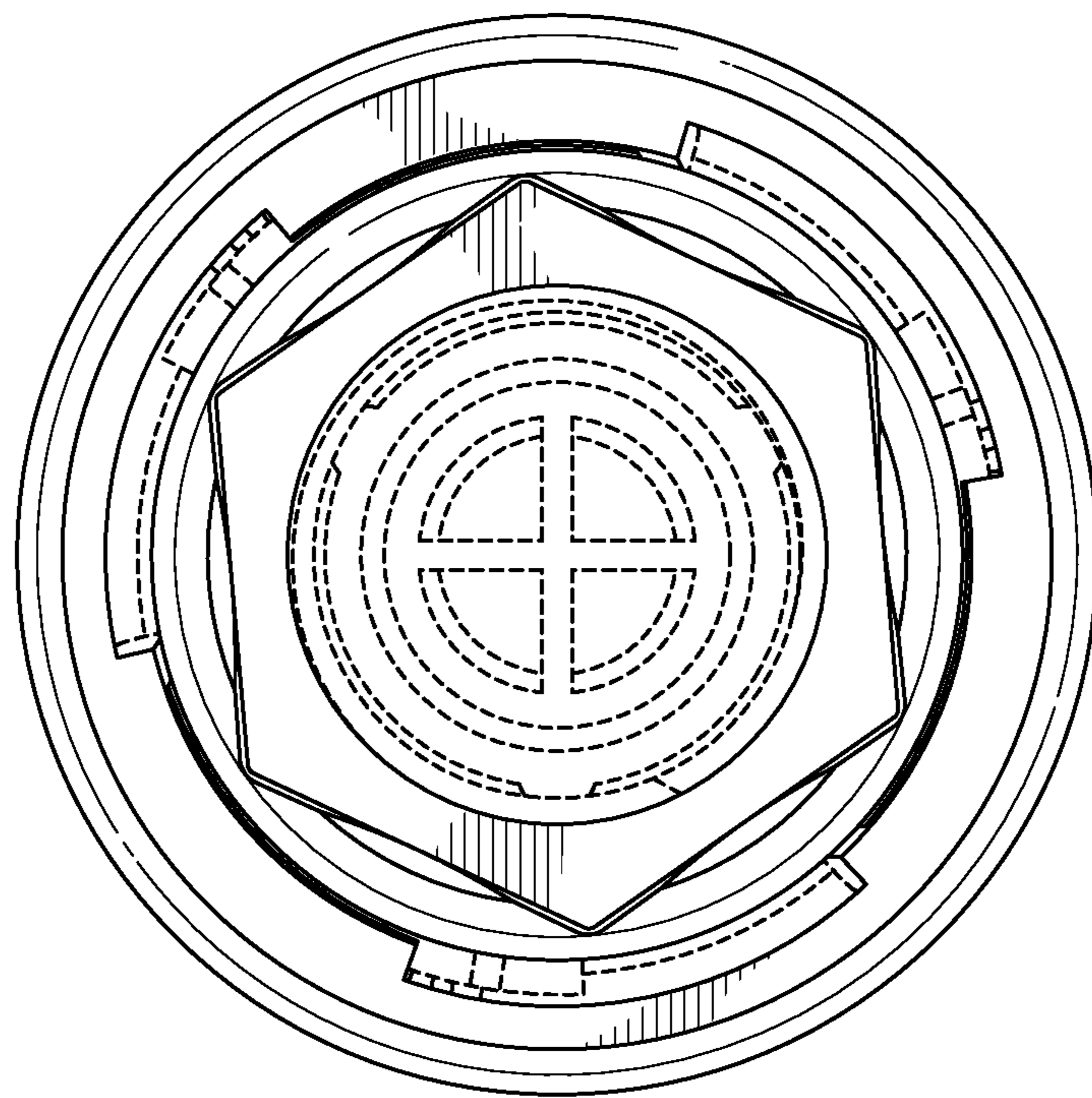


FIG. 10

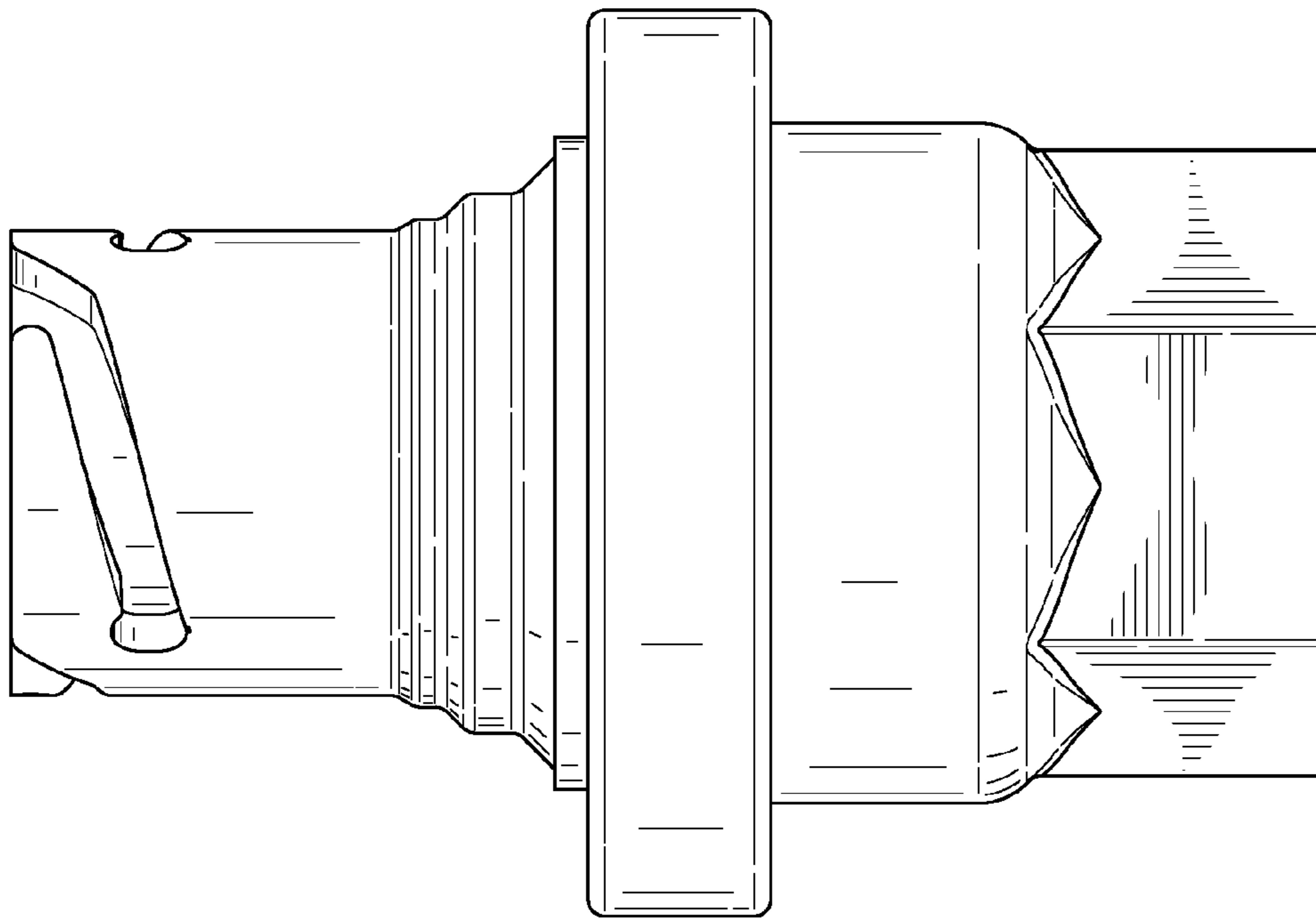


FIG. 11

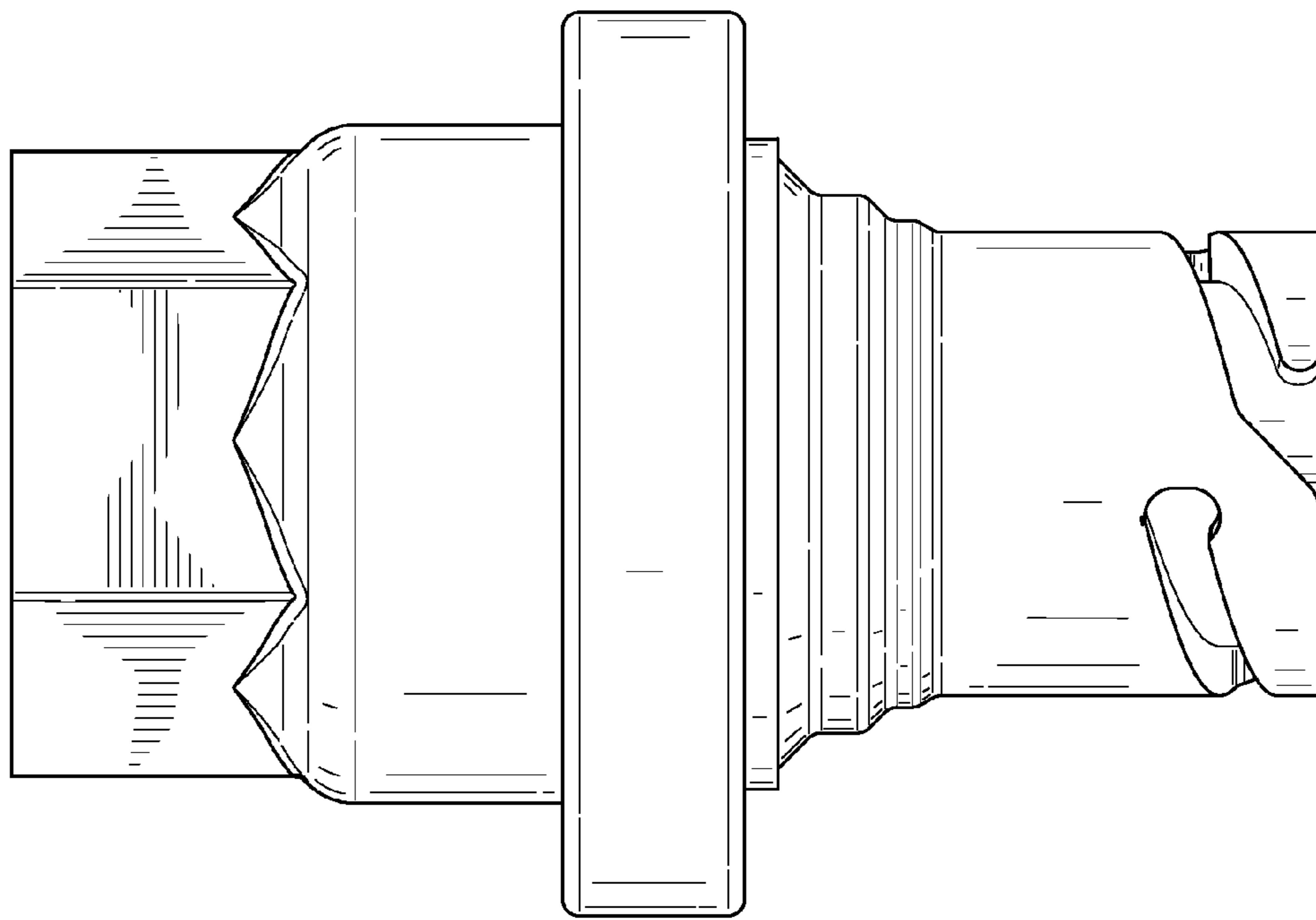


FIG. 12

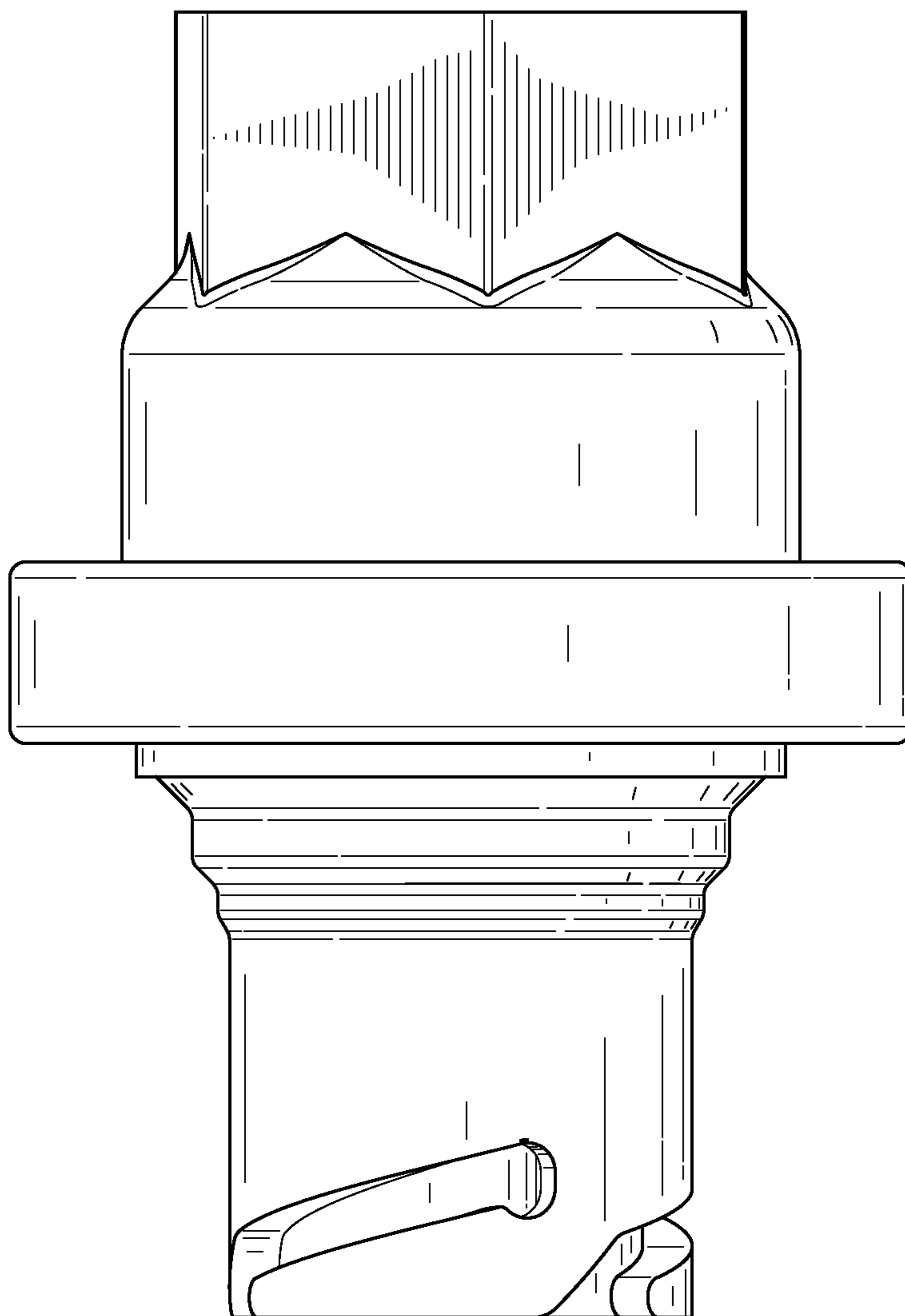


FIG. 13

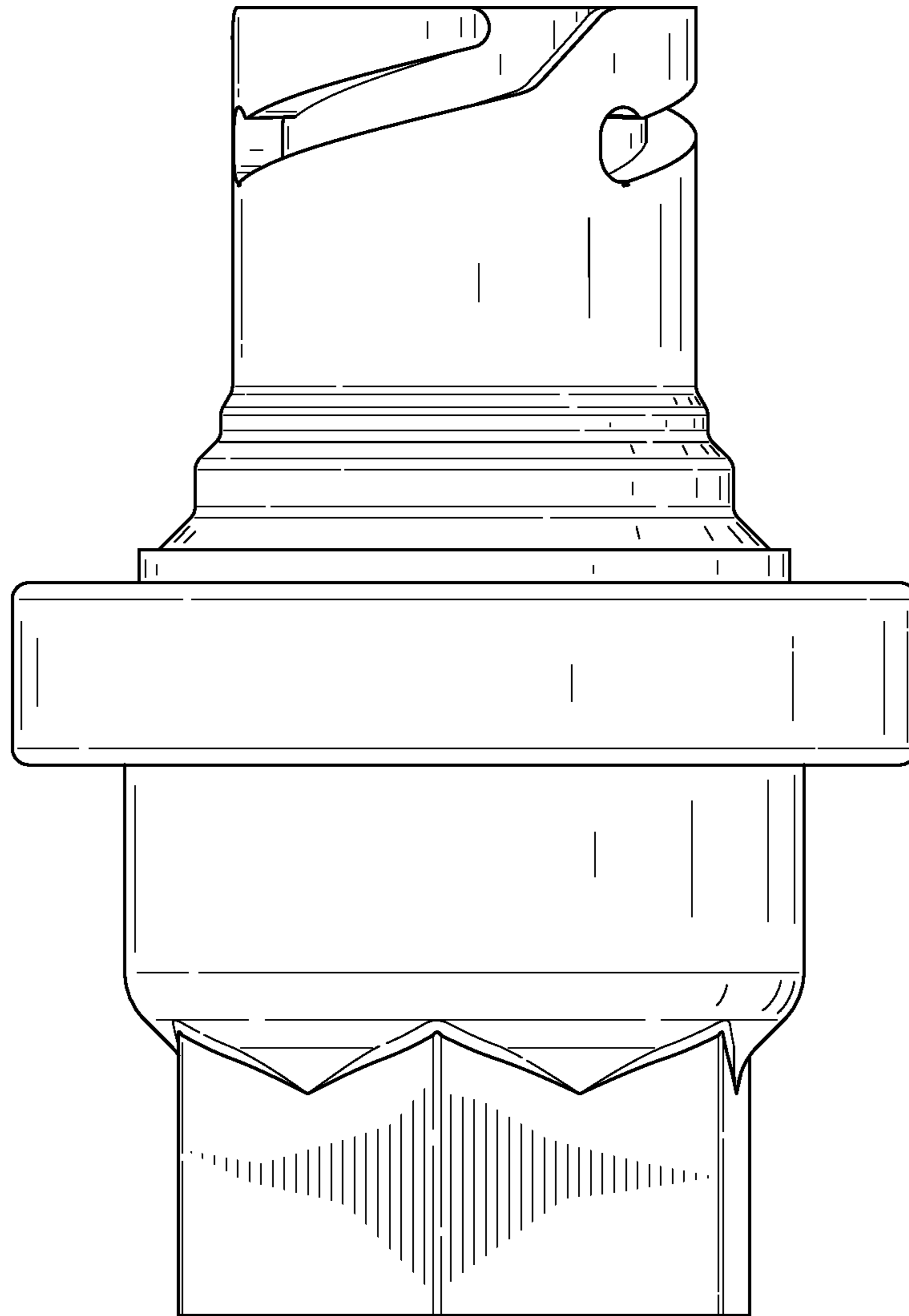


FIG. 14