



US00D752718S

(12) **United States Design Patent**
Eads

(10) **Patent No.:** **US D752,718 S**
(45) **Date of Patent:** **** Mar. 29, 2016**

(54) **LEVER**

(71) Applicant: **Delta Faucet Company**, Indianapolis,
IN (US)

(72) Inventor: **Thad Eads**, North Manchester, IN (US)

(73) Assignee: **DELTA FAUCET COMPANY**,
Indianapolis, IN (US)

(**) Term: **14 Years**

(21) Appl. No.: **29/512,359**

(22) Filed: **Dec. 18, 2014**

(51) **LOC (10) Cl.** **23-02**

(52) **U.S. Cl.**
USPC **D23/252; D23/313**

(58) **Field of Classification Search**
USPC D23/295, 301, 309, 313, 252
CPC E03D 1/00; E03D 1/01; E03C 1/04;
E03C 1/0401; E03C 1/0402; E03C 1/0404
See application file for complete search history.

(56) **References Cited**

U.S. PATENT DOCUMENTS

D530,399 S *	10/2006	Blomstrom	D23/252
D627,440 S *	11/2010	Sedwick	D23/252
D714,914 S *	10/2014	Georgeson	D23/252
D729,906 S *	5/2015	Fritz	D23/252

* cited by examiner

Primary Examiner — Robert Delehanty

(74) *Attorney, Agent, or Firm* — Edgar A. Zarins; Nirav D. Parikh

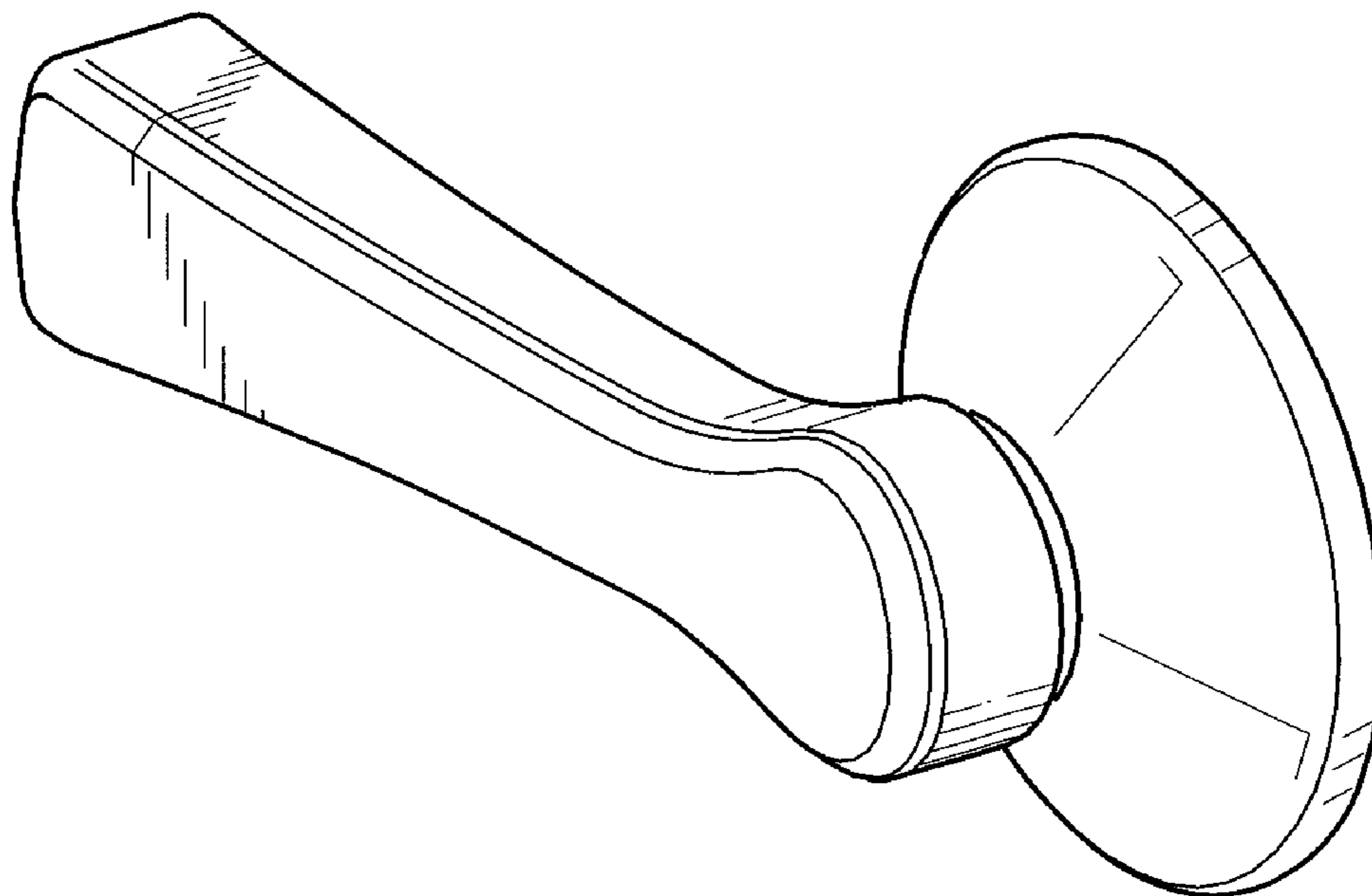
(57) **CLAIM**

The ornamental design for a lever, as shown and described.

DESCRIPTION

FIG. 1 is a perspective view of a lever showing my new design;
FIG. 2 is a front elevational view thereof;
FIG. 3 is a top side view thereof, the opposite side being a mirror image of the side shown;
FIG. 4 is a first end view thereof;
FIG. 5 is a second end view thereof; and,
FIG. 6 is a rear view thereof.

1 Claim, 2 Drawing Sheets



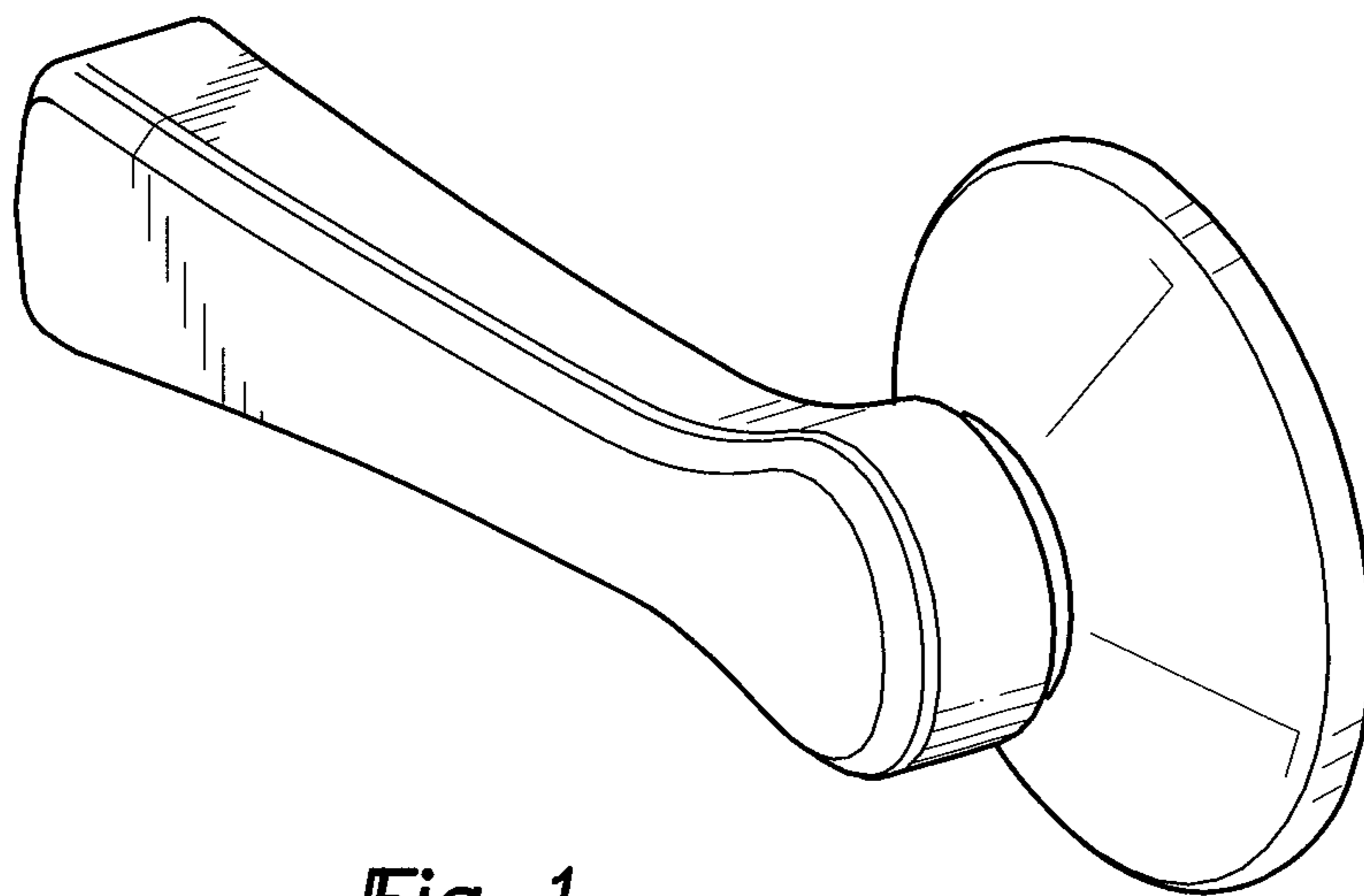


Fig-1

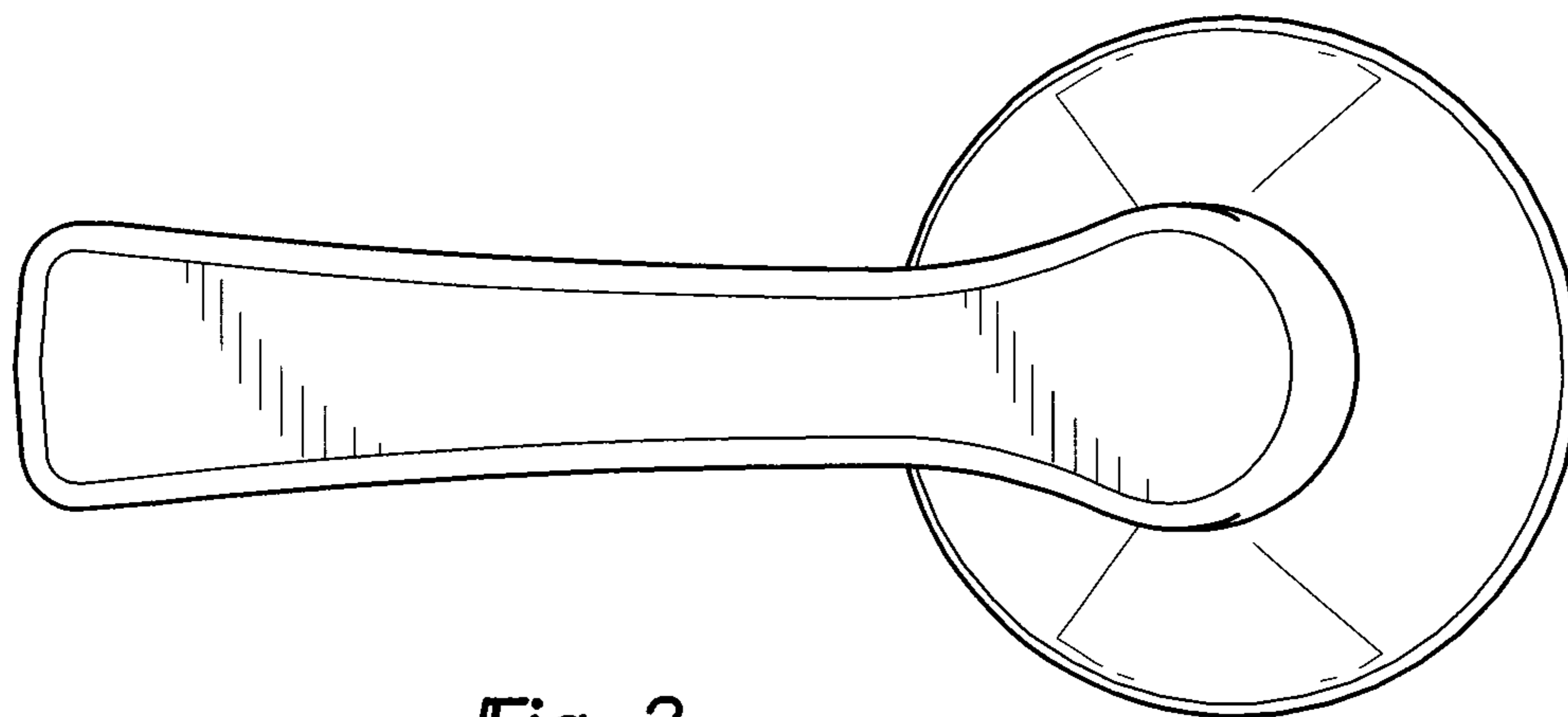


Fig-2

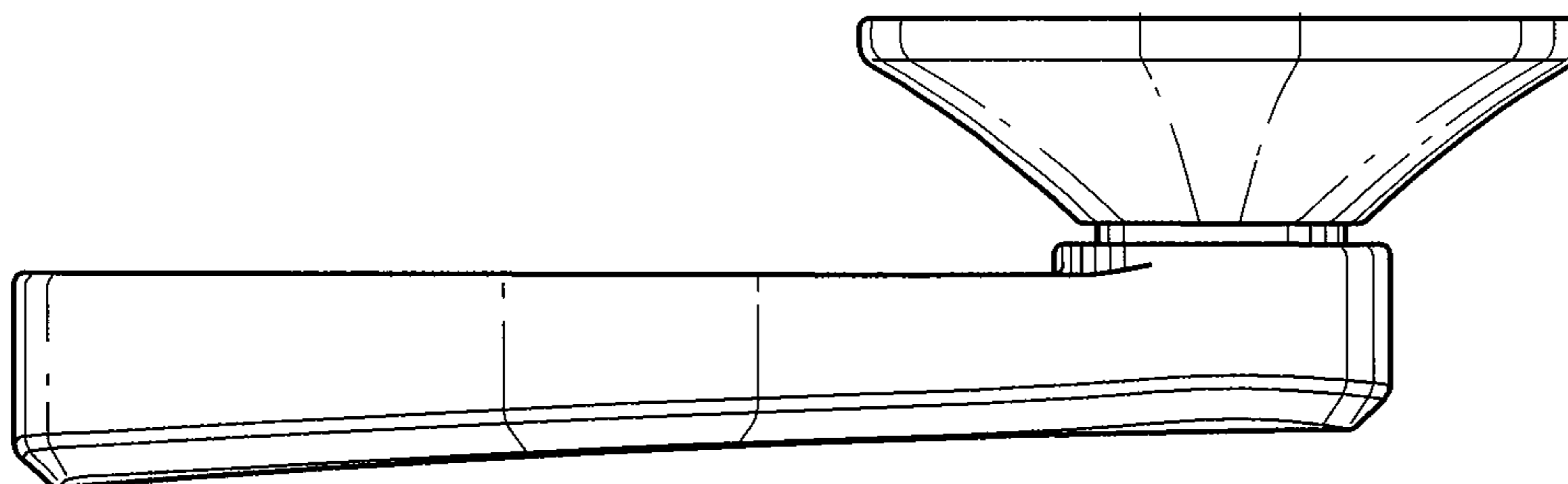


Fig-3

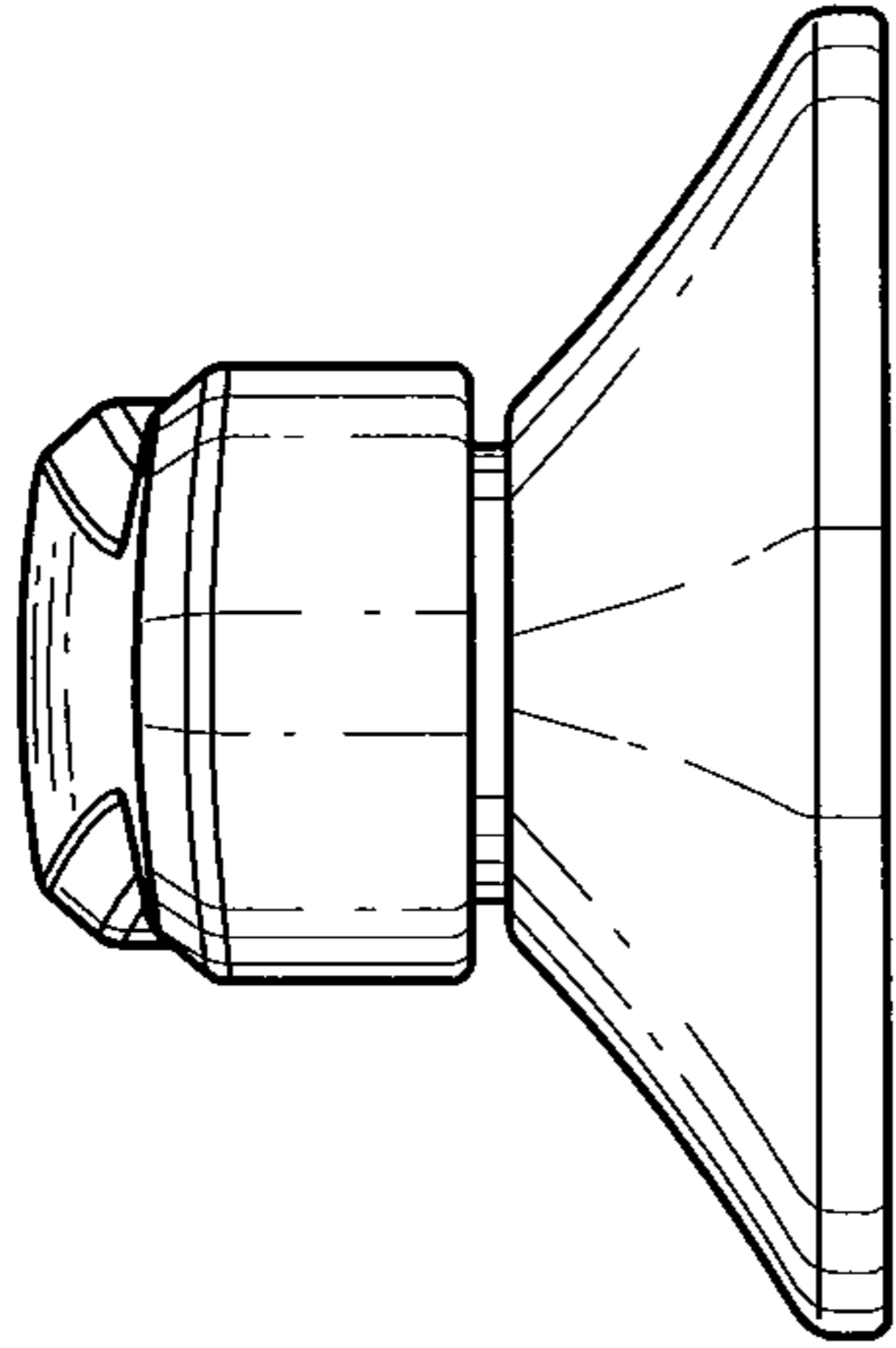


Fig-4

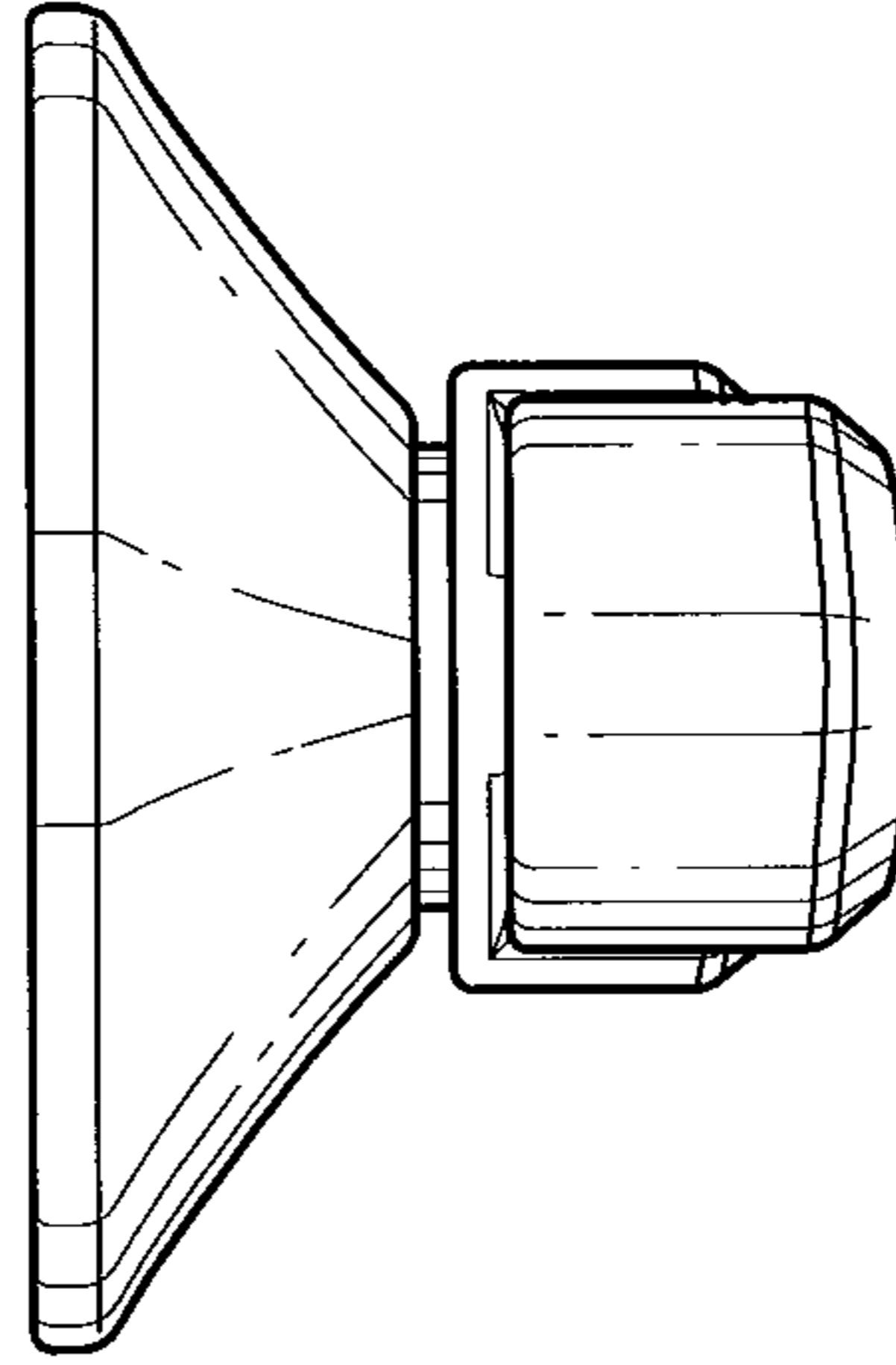


Fig-5

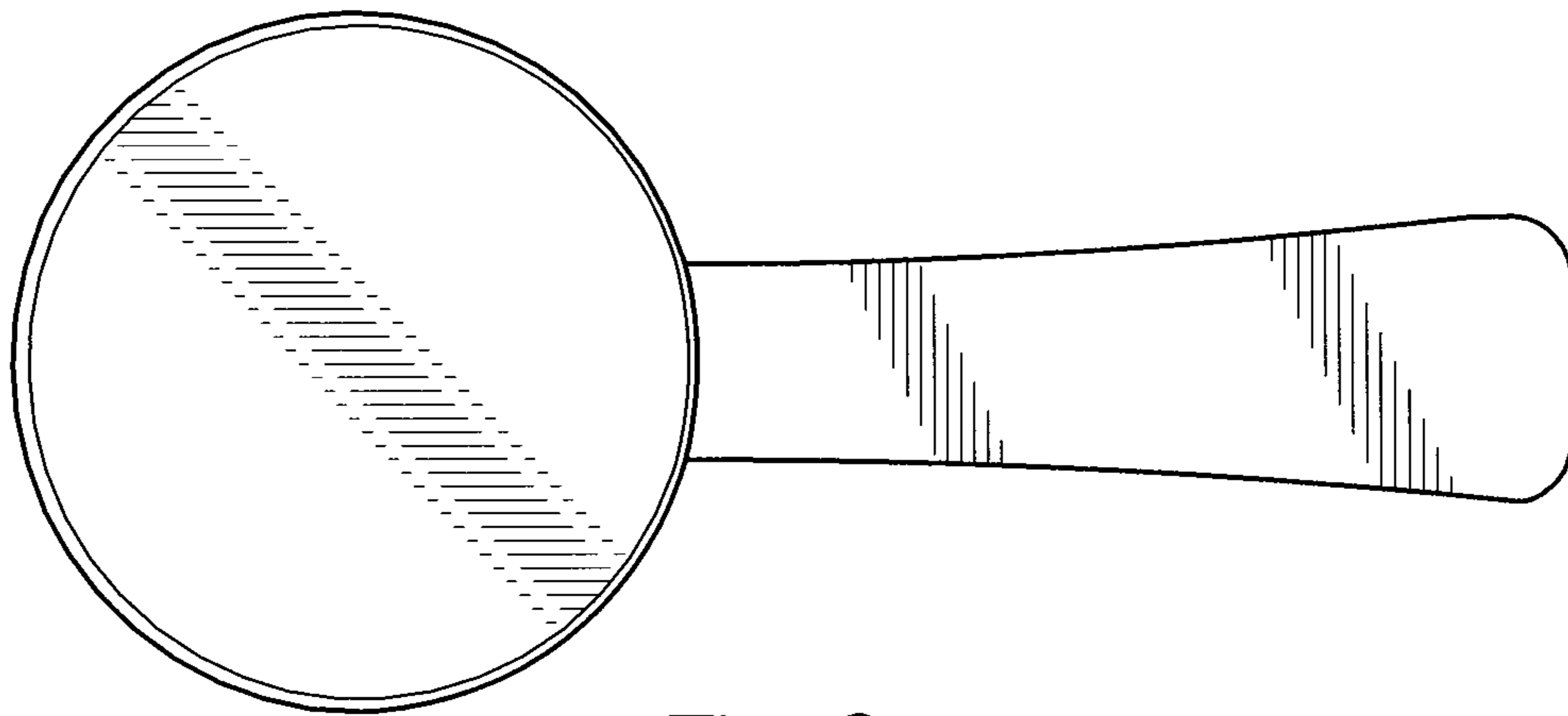


Fig-6