



US00D752716S

(12) **United States Design Patent**  
**Hirosawa et al.**

(10) **Patent No.:** **US D752,716 S**  
(45) **Date of Patent:** **\*\* Mar. 29, 2016**

(54) **PRESSURE RECOVERY MACHINE**

(56) **References Cited**

(71) Applicant: **KUBOTA CORPORATION**,  
Osaka-shi, Osaka (JP)  
(72) Inventors: **Yoshifumi Hirosawa**, Nishinomiya (JP);  
**Norihiro Teramoto**, Izumiotsu (JP);  
**Hirotaka Murakami**, Yao (JP)  
(73) Assignee: **KUBOTA CORPORATION**, Osaka-shi  
(JP)

U.S. PATENT DOCUMENTS

D495,030 S \* 8/2004 Lillback ..... D23/233  
D511,559 S \* 11/2005 Lillback ..... D23/233  
D518,876 S \* 4/2006 Park ..... D23/233  
D538,890 S \* 3/2007 Park ..... D23/233  
8,375,970 B2 \* 2/2013 Lautzenheiser ..... E03C 1/04  
137/12  
D700,283 S \* 2/2014 Park ..... D23/233  
8,985,140 B2 \* 3/2015 Pettinaroli ..... F24D 19/1015  
137/487  
D736,890 S \* 8/2015 Park ..... D23/233  
2012/0267294 A1 \* 10/2012 Herman ..... B01D 29/232  
210/137

(\*\*) Term: **14 Years**

\* cited by examiner

(21) Appl. No.: **29/522,167**

*Primary Examiner* — Cynthia Ramirez

*Assistant Examiner* — Gino Colan

(22) Filed: **Mar. 27, 2015**

(74) *Attorney, Agent, or Firm* — Oliff PLC

(30) **Foreign Application Priority Data**

(57) **CLAIM**

The ornamental design for a pressure recovery machine, as shown and described.

Nov. 7, 2014 (JP) ..... 2014-024882

**DESCRIPTION**

(51) **LOC (10) Cl.** ..... **23-01**

FIG. 1 is a perspective view of a pressure recovery machine;  
FIG. 2 is a front view thereof;  
FIG. 3 is a top view thereof;  
FIG. 4 is a right-side view thereof;  
FIG. 5 is a left-side view thereof;  
FIG. 6 is a rear view thereof;  
FIG. 7 is a bottom view thereof; and,  
FIG. 8 is a cross-sectional view taken along line 8-8 in FIG. 2.  
The broken lines shown in the figures are included for the purpose of illustrating environment and form no part of the claimed design. The dot-dash lines define the boundaries of the claimed design and form no part thereof.

(52) **U.S. Cl.**

USPC ..... **D23/235**

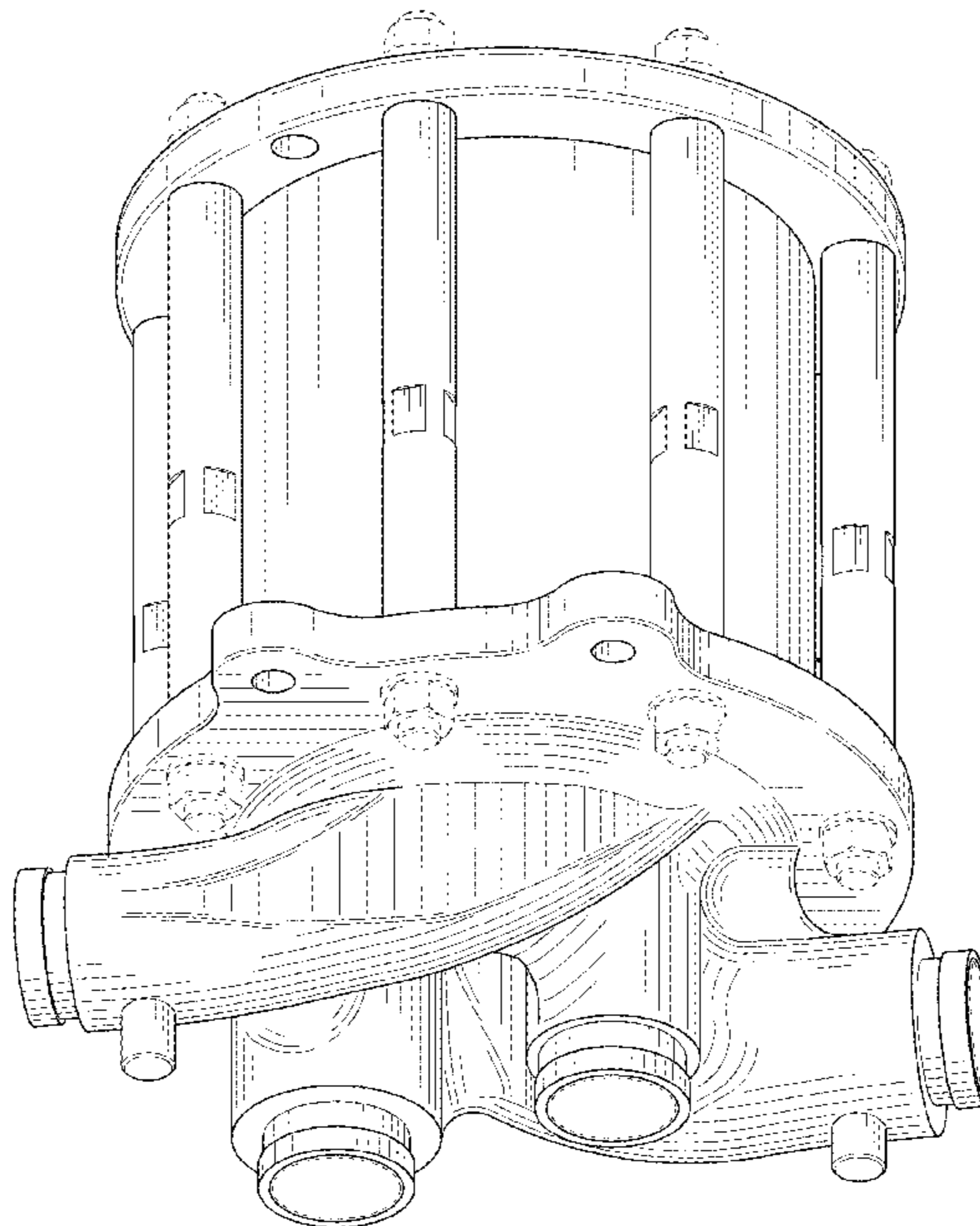
(58) **Field of Classification Search**

USPC ..... D23/233-250; 137/488, 74, 874, 12,  
137/493, 10, 14, 15.19, 198, 266, 565.26,  
137/613; 210/137

CPC ..... F16K 17/06; F16K 11/0716; F16K 17/18;  
F16K 31/0693

See application file for complete search history.

**1 Claim, 8 Drawing Sheets**



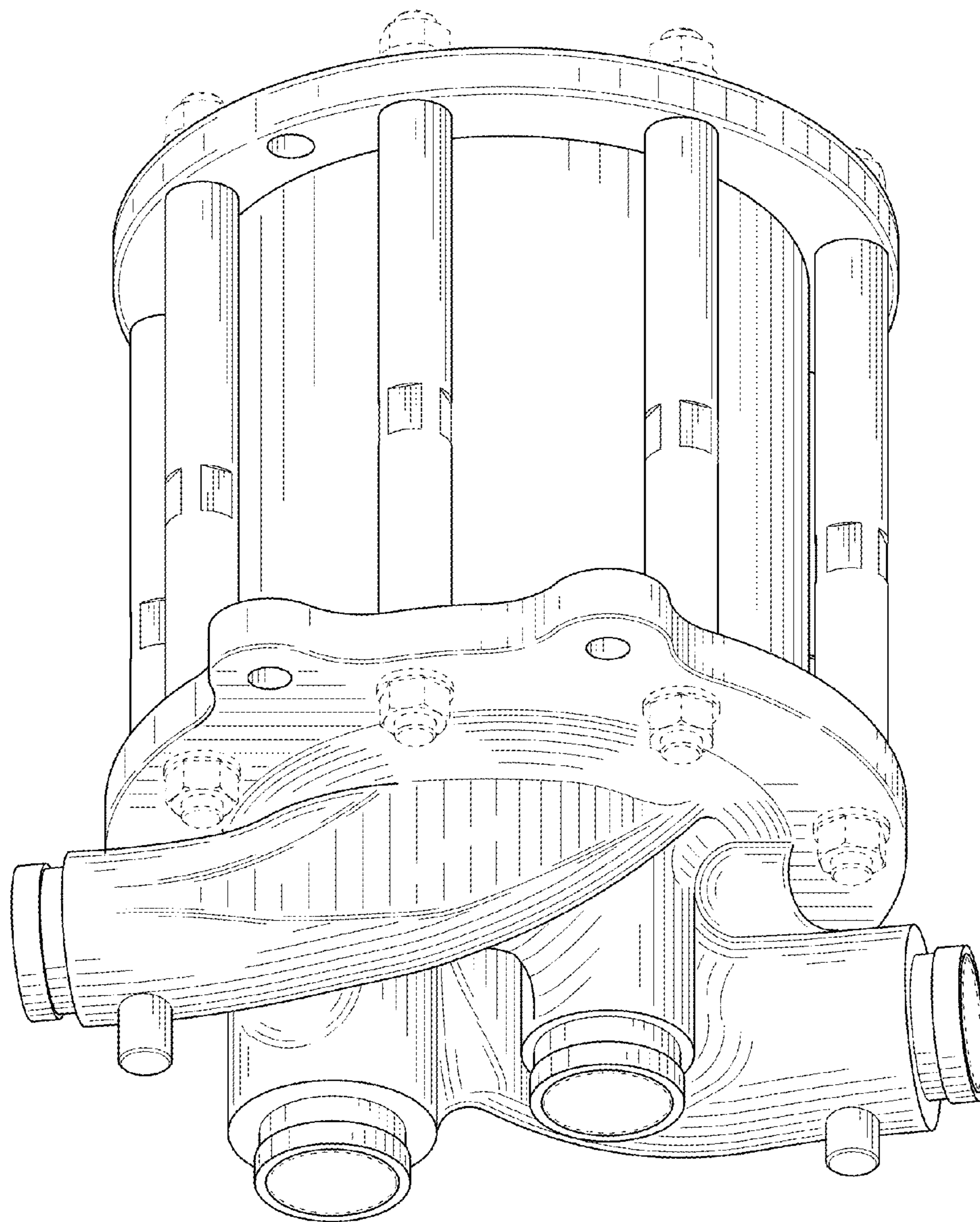


FIG. 1

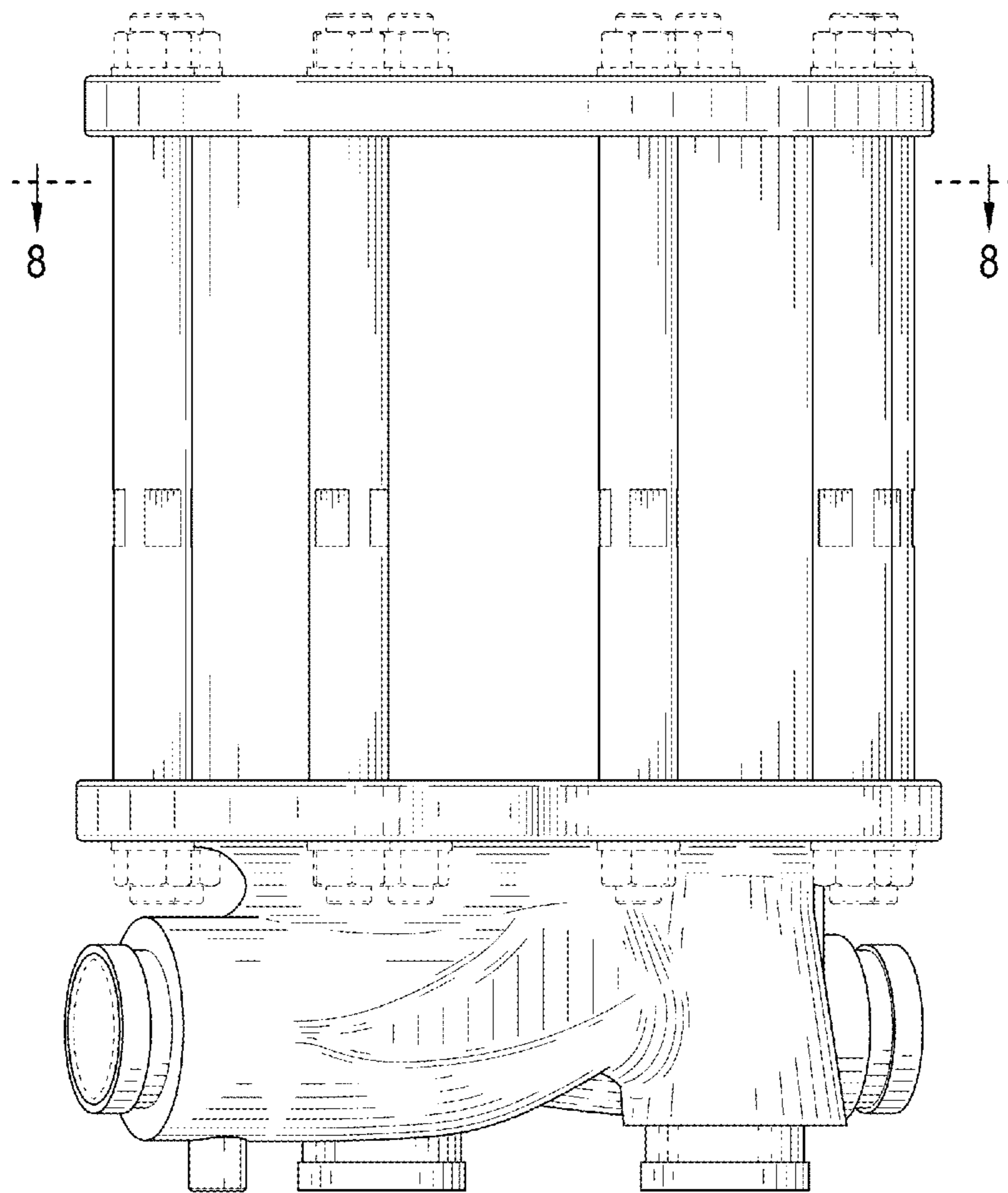


FIG. 2

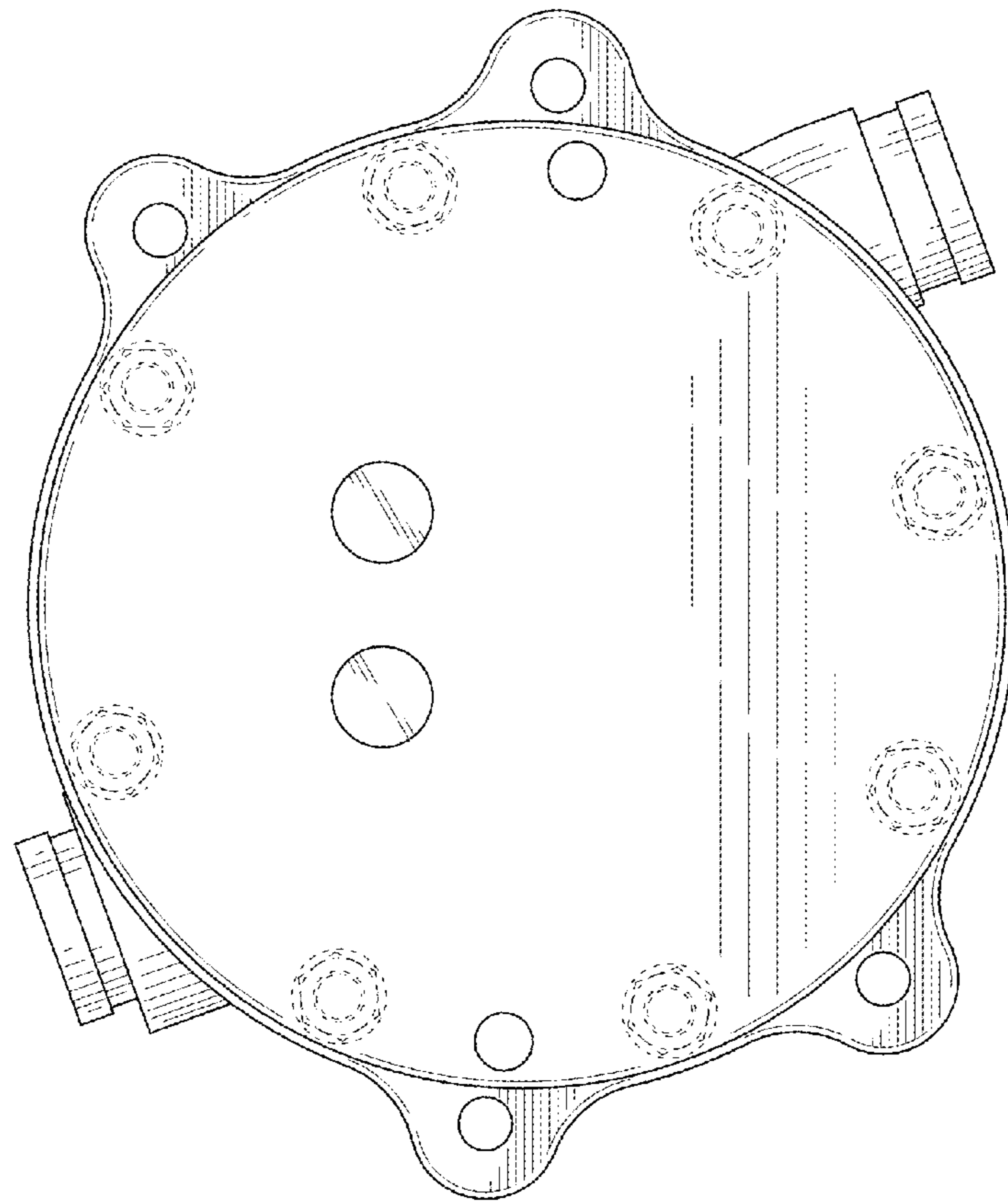


FIG. 3

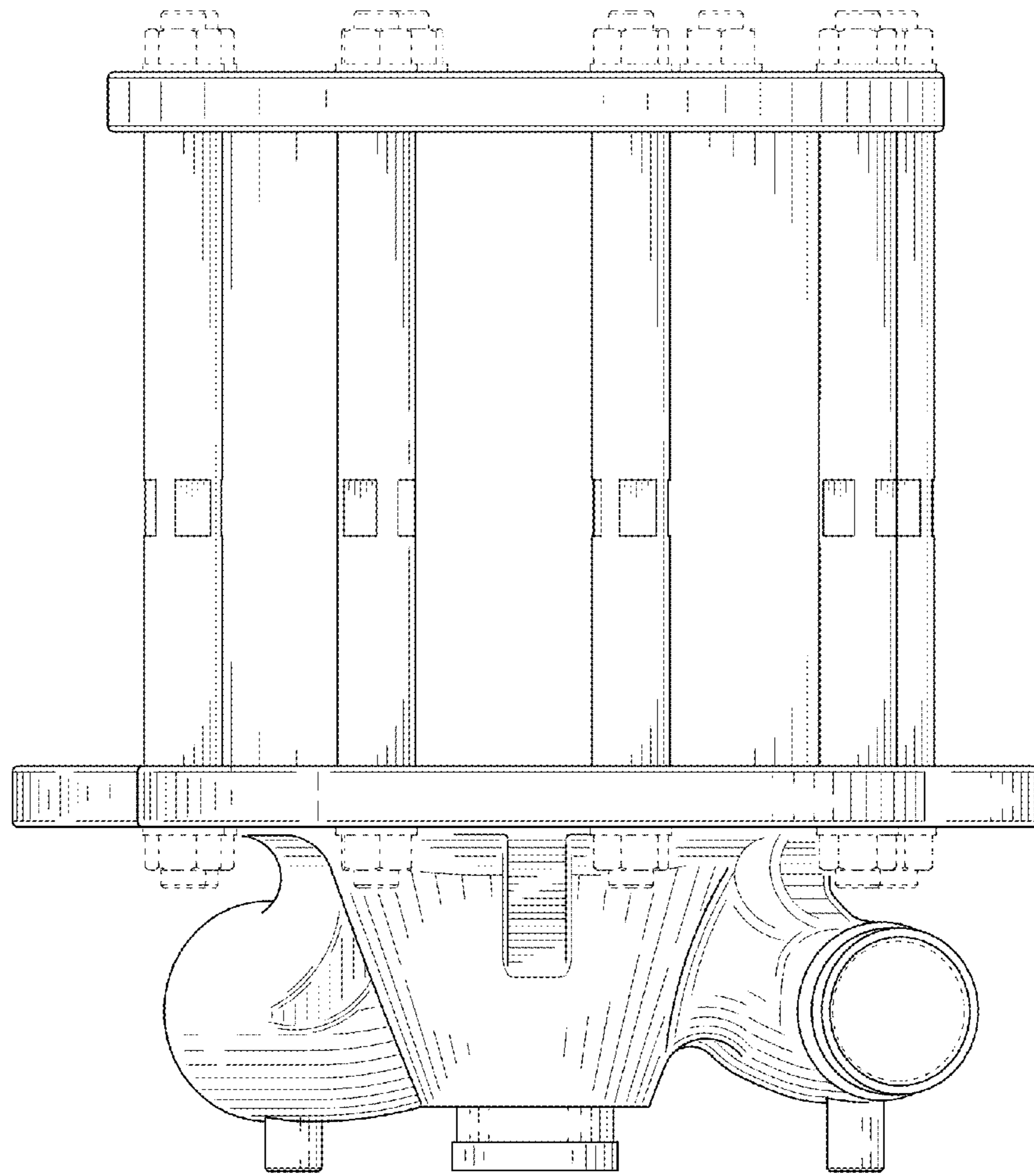


FIG. 4

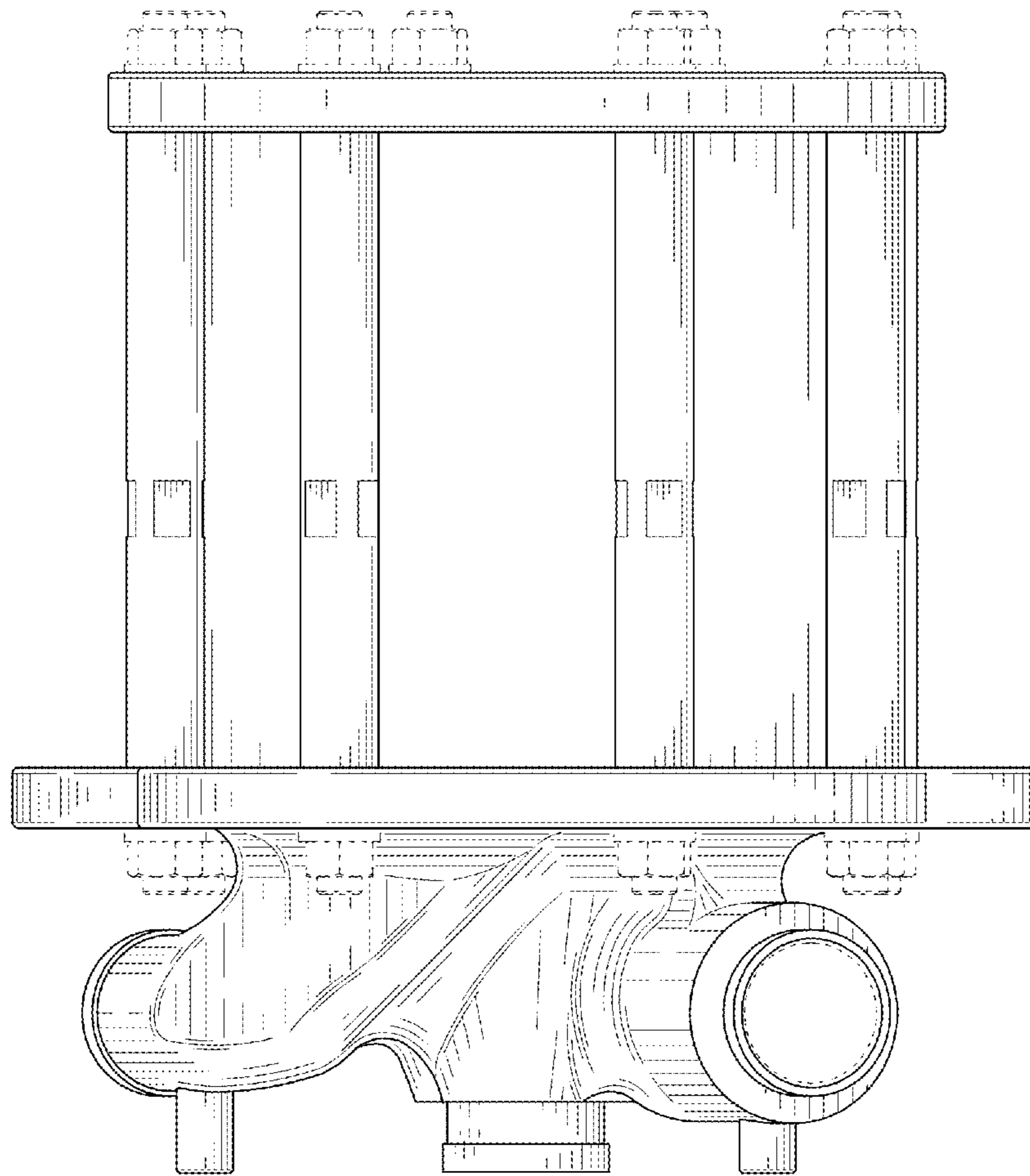


FIG. 5

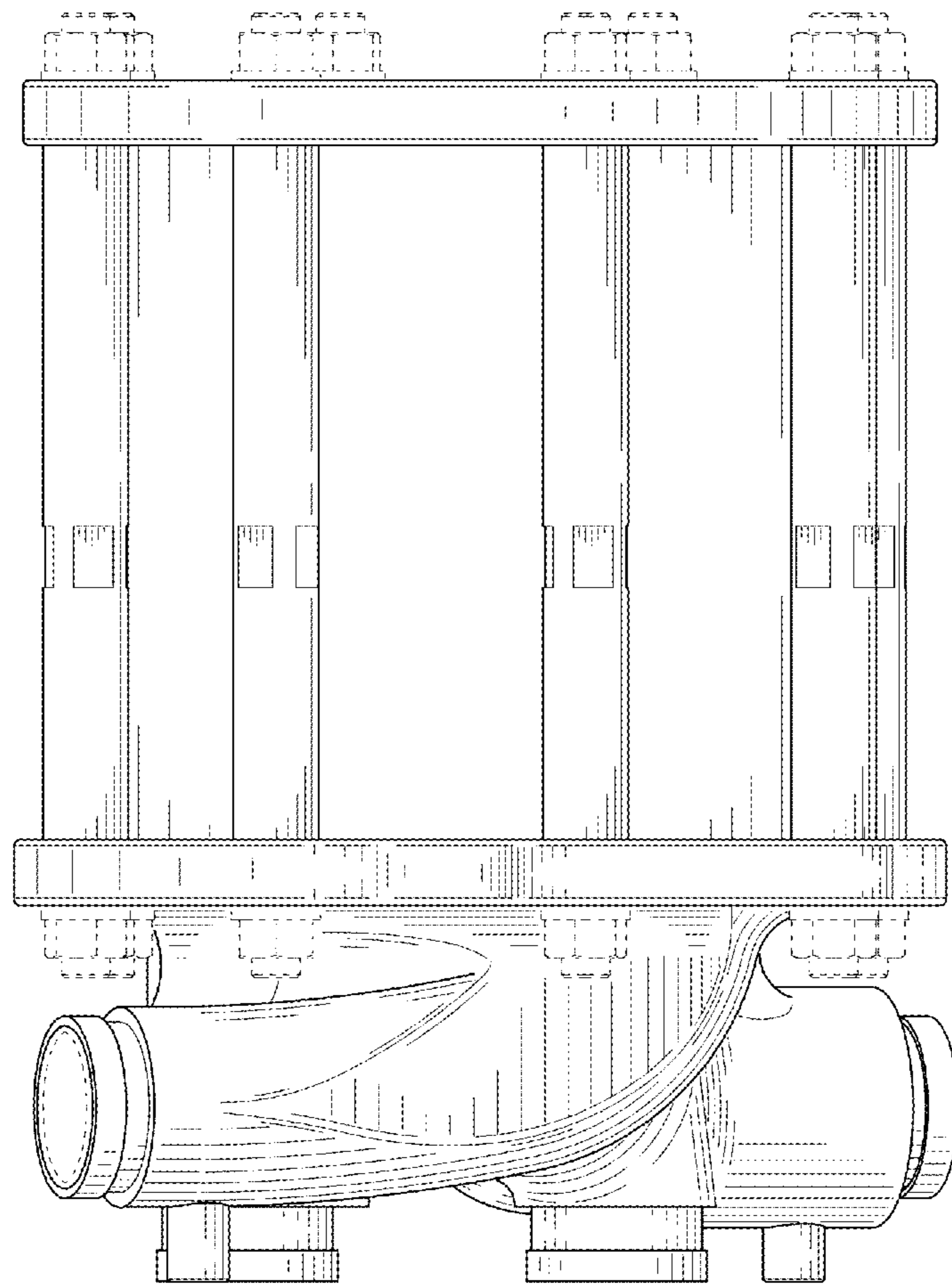


FIG. 6

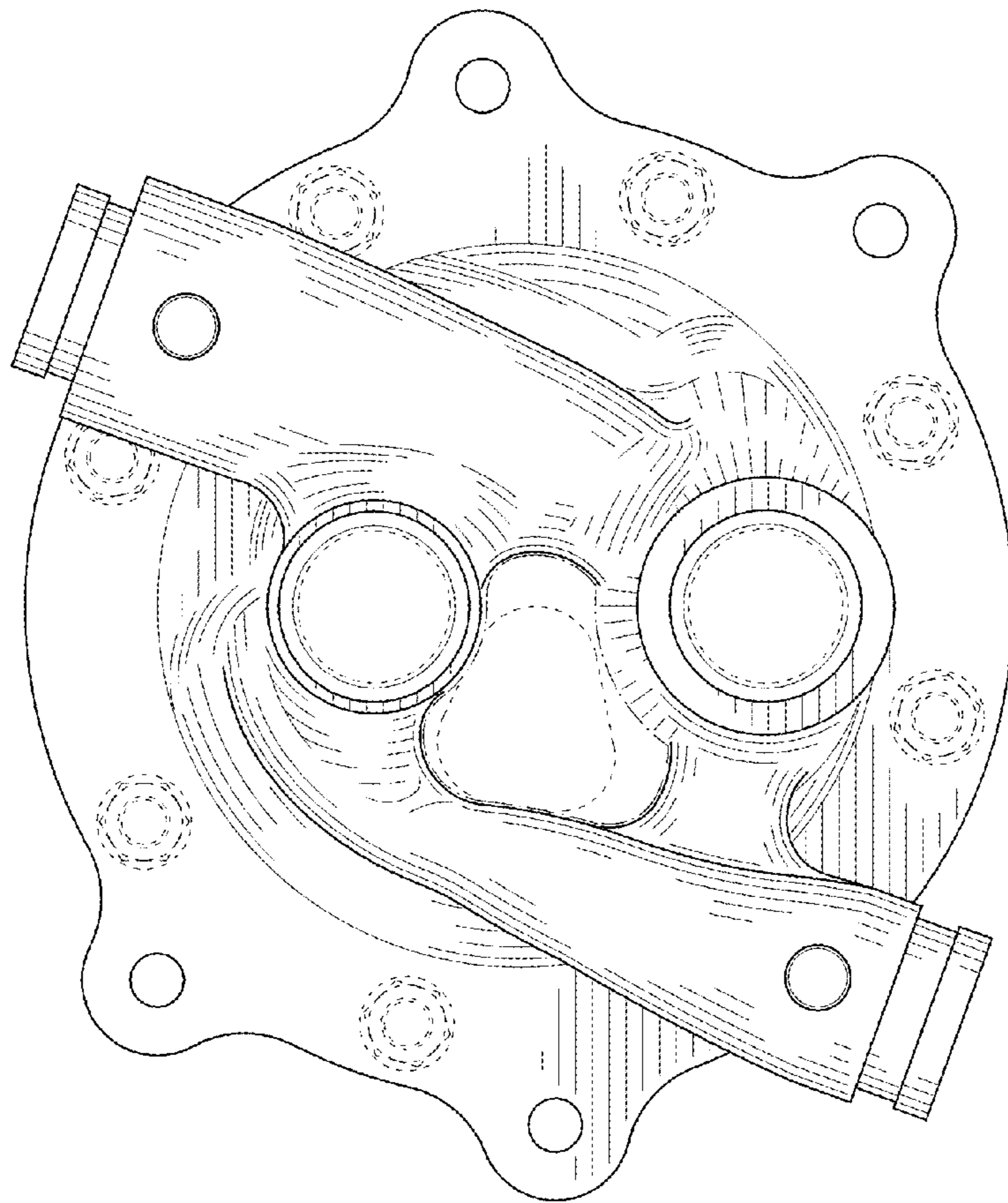


FIG. 7



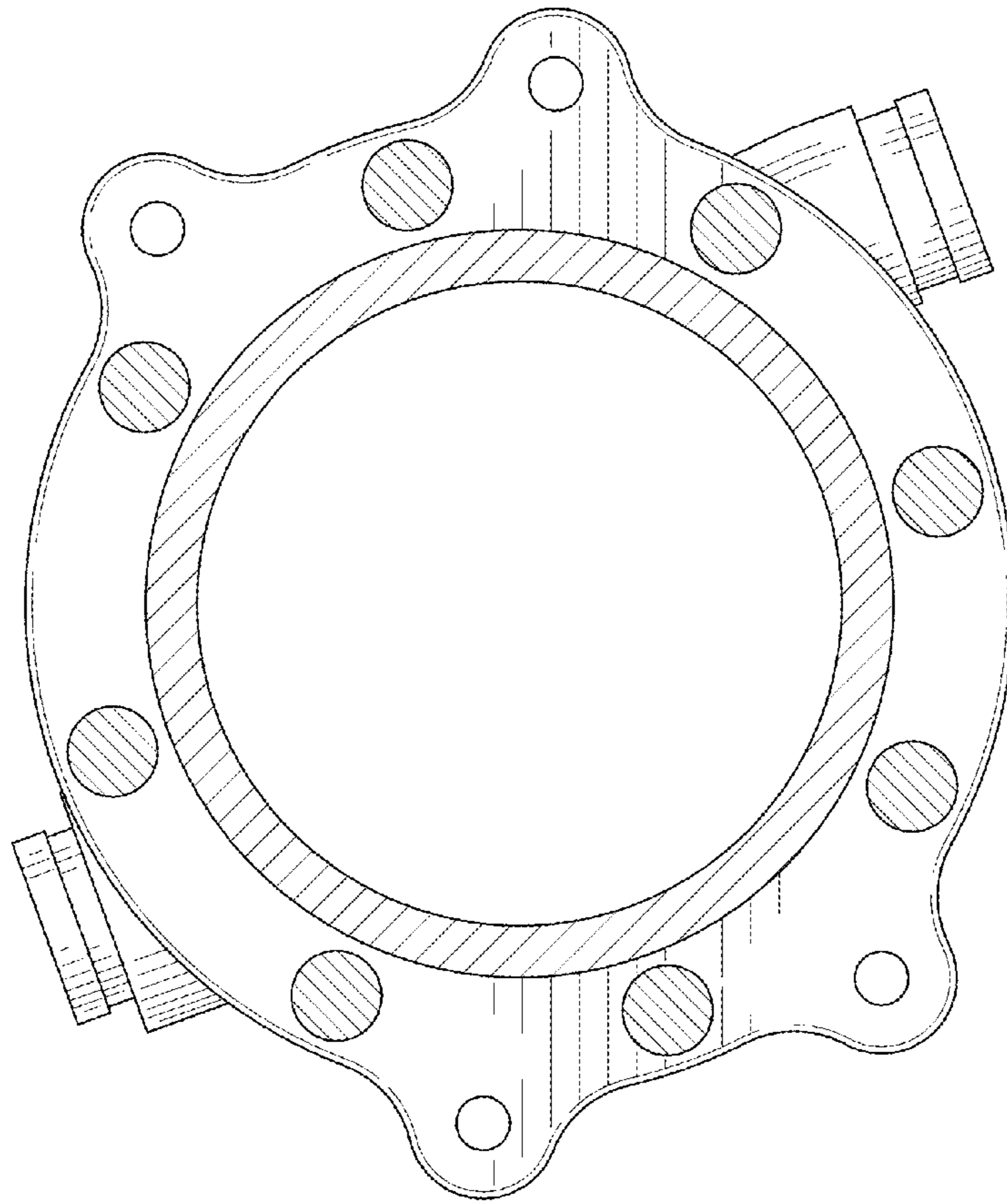


FIG. 8