



US00D752715S

(12) **United States Design Patent**
Yakushijin et al.

(10) **Patent No.:** **US D752,715 S**
(45) **Date of Patent:** **** Mar. 29, 2016**

(54) **FLUID CONTROLLER**
(71) Applicant: **FUJIKIN INCORPORATED,**
Osaka-shi (JP)
(72) Inventors: **Tadayuki Yakushijin,** Osaka (JP);
Yasumasa Yanagida, Osaka (JP);
Keisuke Ishibashi, Osaka (JP);
Tomohiro Nakata, Osaka (JP);
Tsuyoshi Tanikawa, Osaka (JP); **Michio**
Yamaji, Osaka (JP)

6,161,875 A * 12/2000 Yamaji F16K 27/003
285/124.1
6,189,350 B1 * 2/2001 Nishimura F16K 35/10
137/385
7,152,629 B2 * 12/2006 Tokuda F16K 27/003
137/884
D605,253 S * 12/2009 Lai D23/233
D605,254 S * 12/2009 Lai D23/233
D605,255 S * 12/2009 Lai D23/233
7,814,797 B2 * 10/2010 Shikata F16L 41/008
73/714
2013/0037145 A1 * 2/2013 Kuriki F16K 27/003
137/597

(73) Assignee: **FUJIKIN INCORPORATED,**
Osaka-Shi (JP)

* cited by examiner

(**) Term: **14 Years**

Primary Examiner — Cynthia Ramirez

Assistant Examiner — Gino Colan

(21) Appl. No.: **29/522,268**

(74) *Attorney, Agent, or Firm* — Mori & Ward, LLP

(22) Filed: **Mar. 30, 2015**

(57) **CLAIM**

(30) **Foreign Application Priority Data**

The ornamental design for a fluid controller, as shown and described.

Sep. 30, 2014 (JP) D2014-021702

DESCRIPTION

(51) **LOC (10) Cl.** **23-01**

(52) **U.S. Cl.**

USPC **D23/233**

(58) **Field of Classification Search**

USPC D23/233-269; 137/398, 545, 54, 549,

137/62, 385, 505.42, 505.12, 318, 884, 597,

137/606, 883, 613, 246, 222, 538, 498;

285/24, 124.1, 26, 328, 379, 906

CPC F16K 27/003; F16K 35/10

See application file for complete search history.

FIG. 1 is a top and right front perspective view of a fluid controller, showing our design;

FIG. 2 is a front elevational view thereof, with a rear elevational view being a mirror image thereof;

FIG. 3 is a top plan view thereof, showing cross-sectional reference lines 8-8 for FIG. 8;

FIG. 4 is a bottom elevational view thereof;

FIG. 5 is a right side elevational view thereof, with a left side elevational view being a mirror image thereof; and

FIG. 6 is a right side elevational view thereof, showing cross-sectional reference lines 7-7 for FIG. 7;

FIG. 7 is a partial cross-sectional view thereof along lines 7-7 shown in FIG. 6;

FIG. 8 is a cross-sectional view thereof along lines 8-8 shown in FIG. 3; and,

FIG. 9 is a top plan view thereof, showing a handle in a rotated orientation.

(56) **References Cited**

U.S. PATENT DOCUMENTS

5,967,489 A * 10/1999 Nakazawa G05D 7/0635

137/884

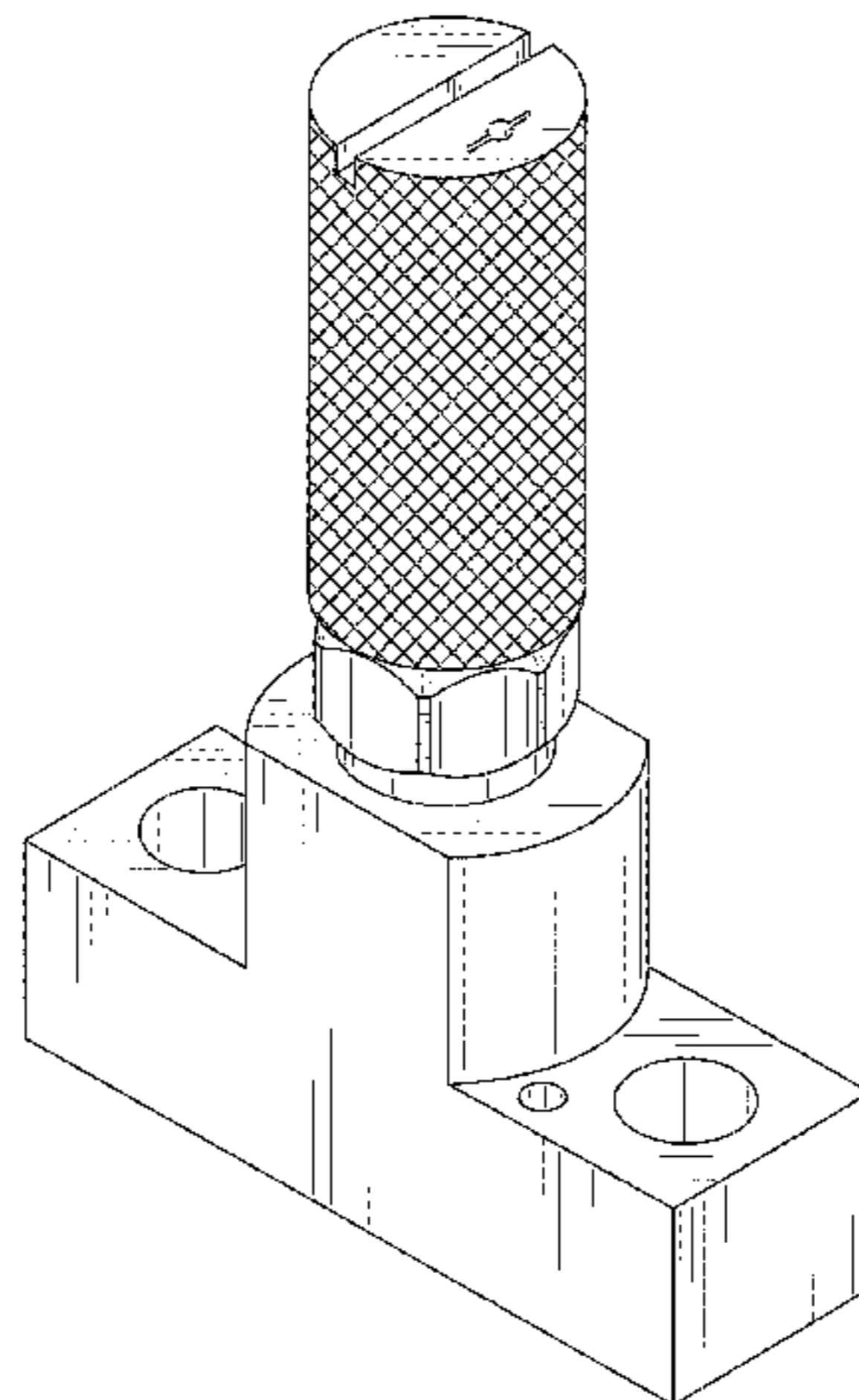
6,035,893 A * 3/2000 Ohmi F15B 13/0814

137/597

6,116,282 A * 9/2000 Yamaji F16K 27/003

137/613

1 Claim, 7 Drawing Sheets



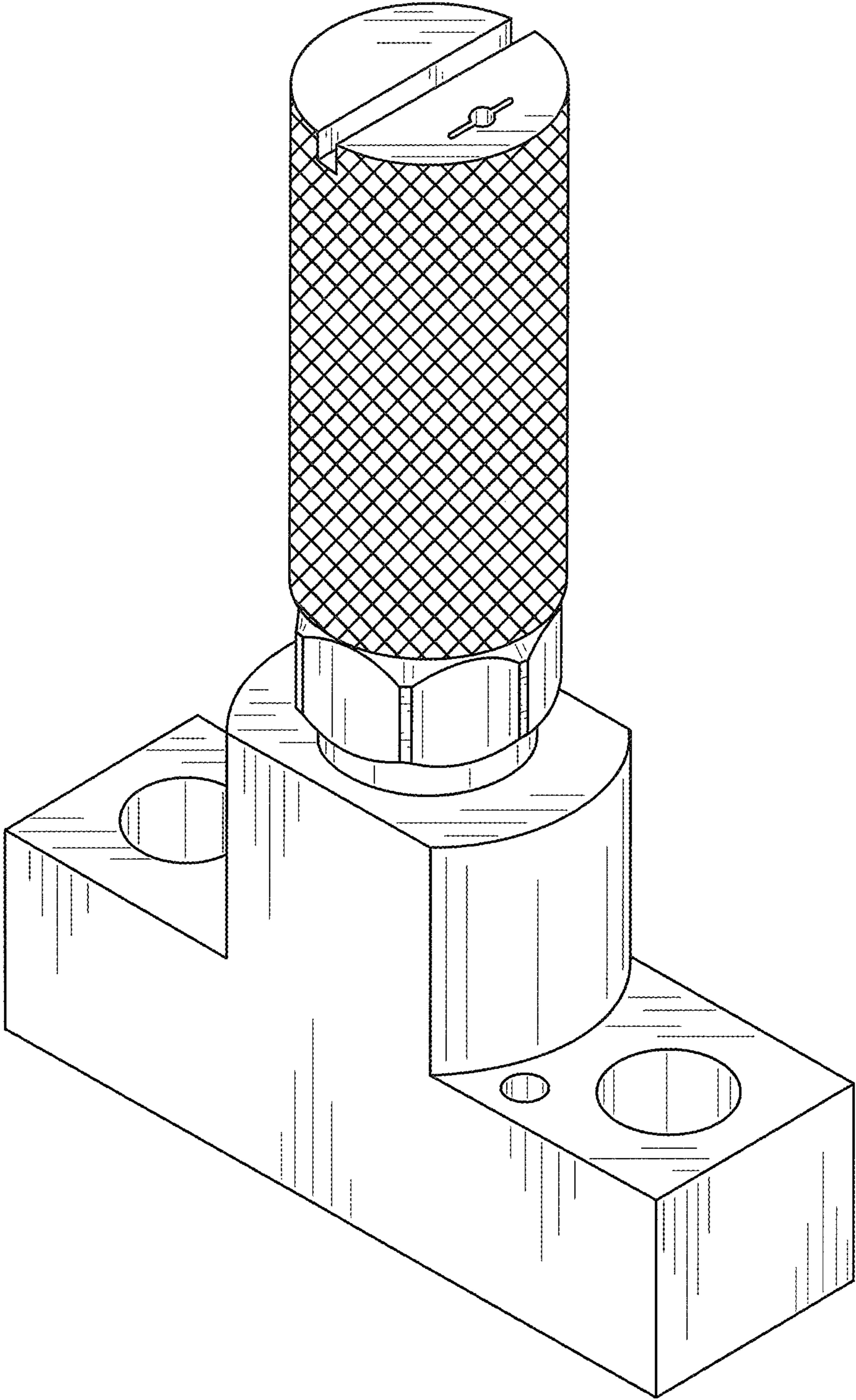


FIG. 1

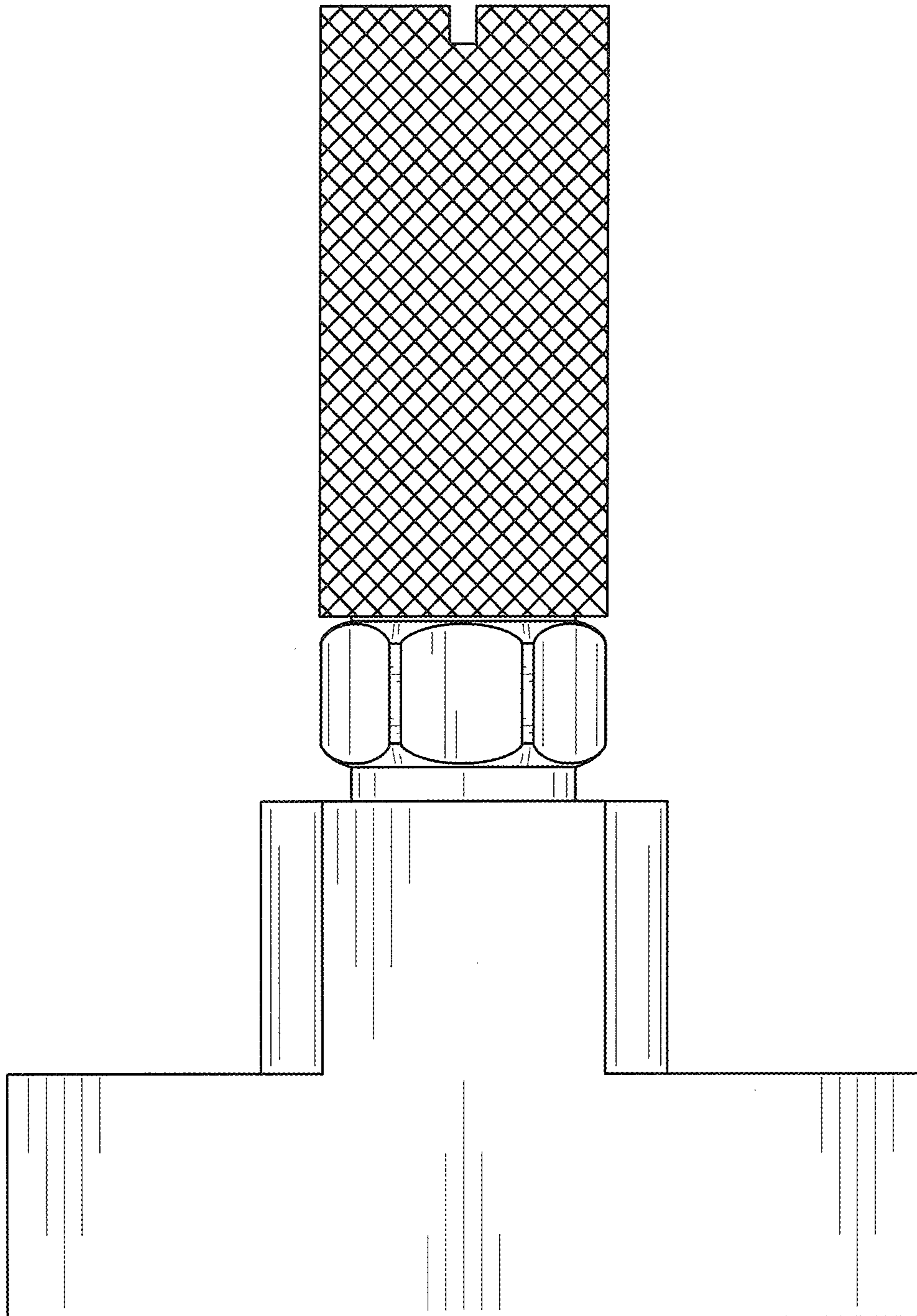


FIG. 2

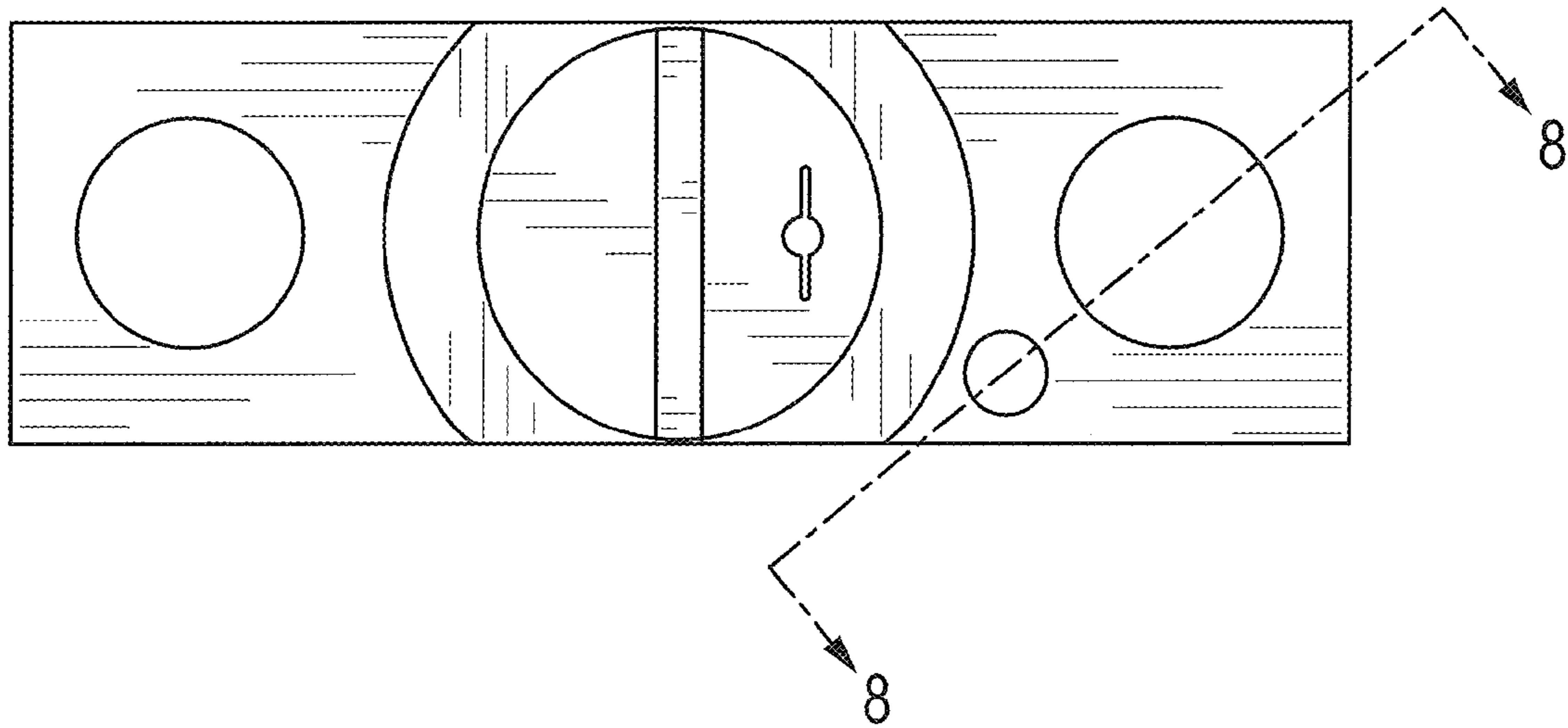


FIG. 3

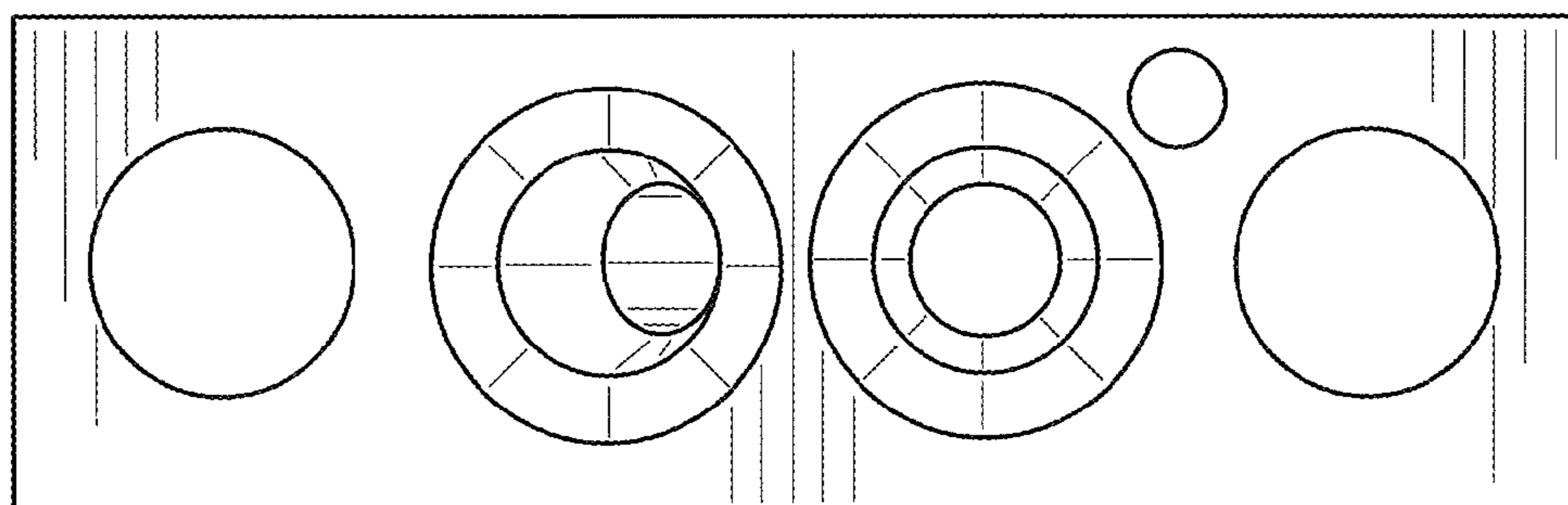


FIG. 4

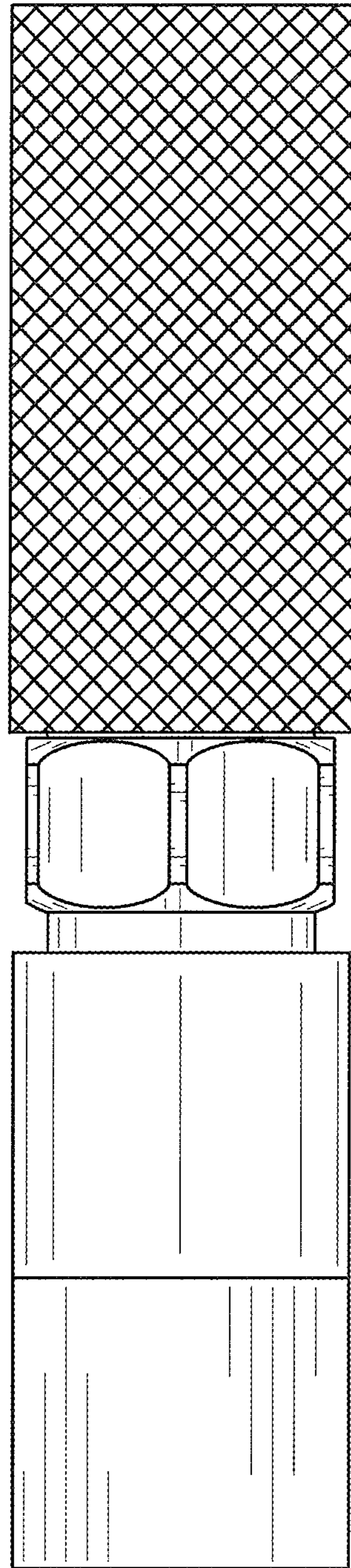


FIG. 5

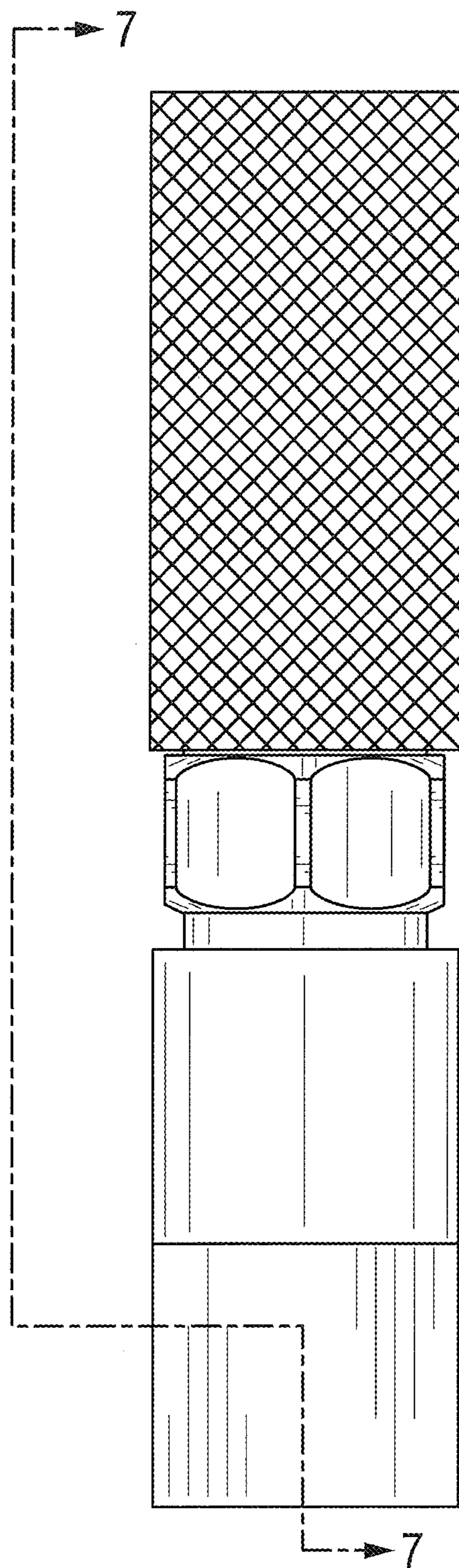


FIG. 6

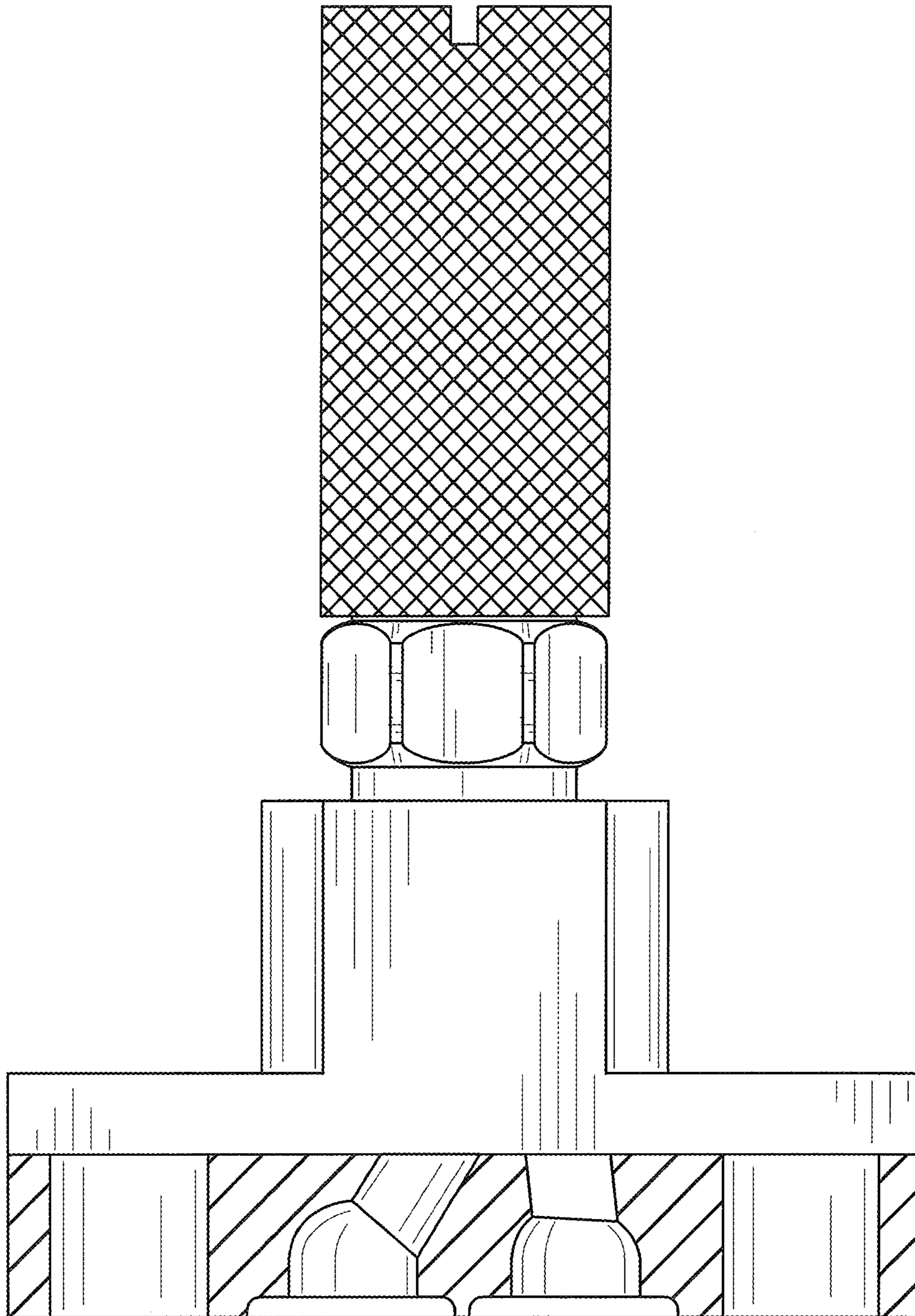


FIG. 7

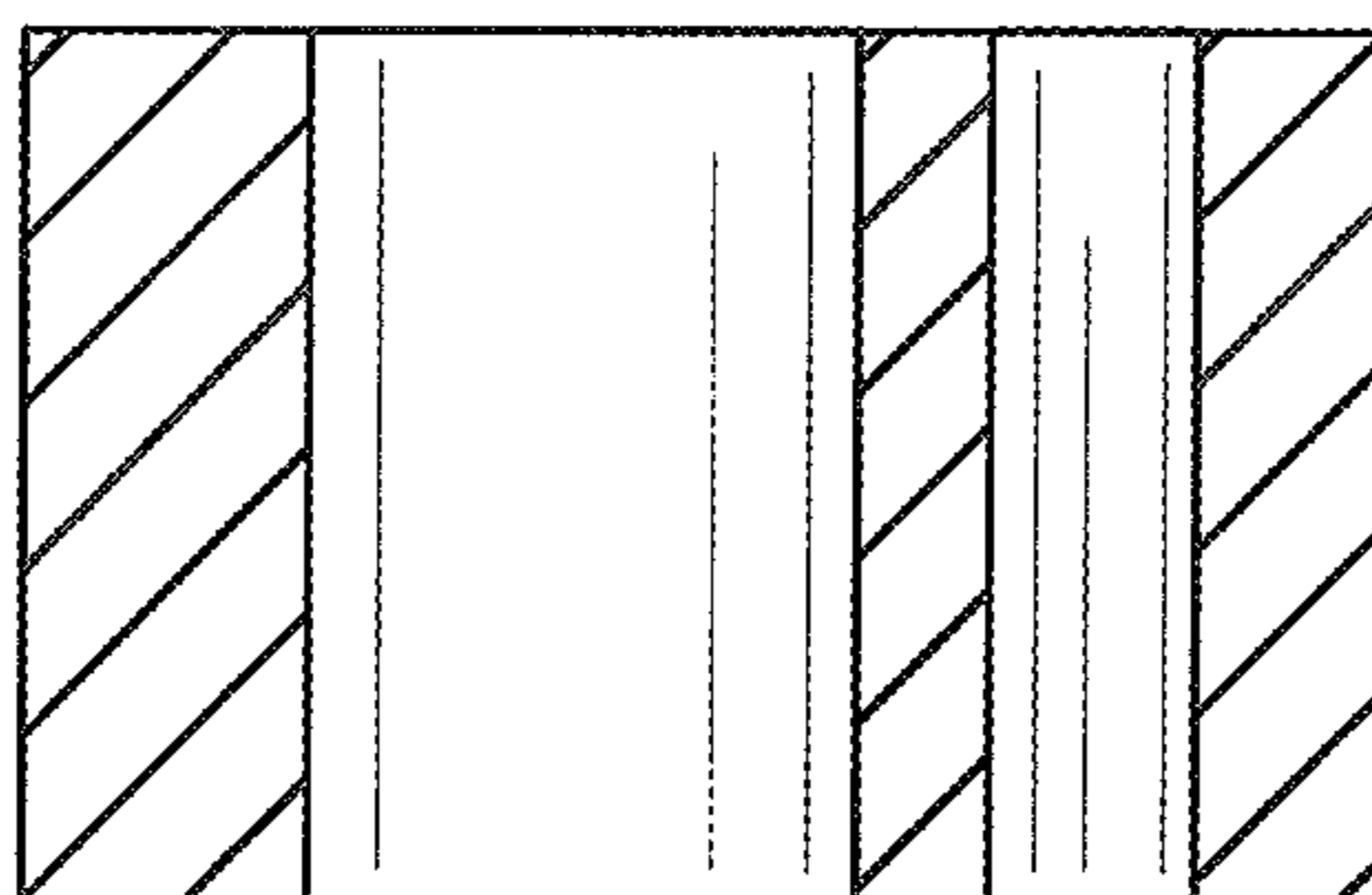


FIG. 8

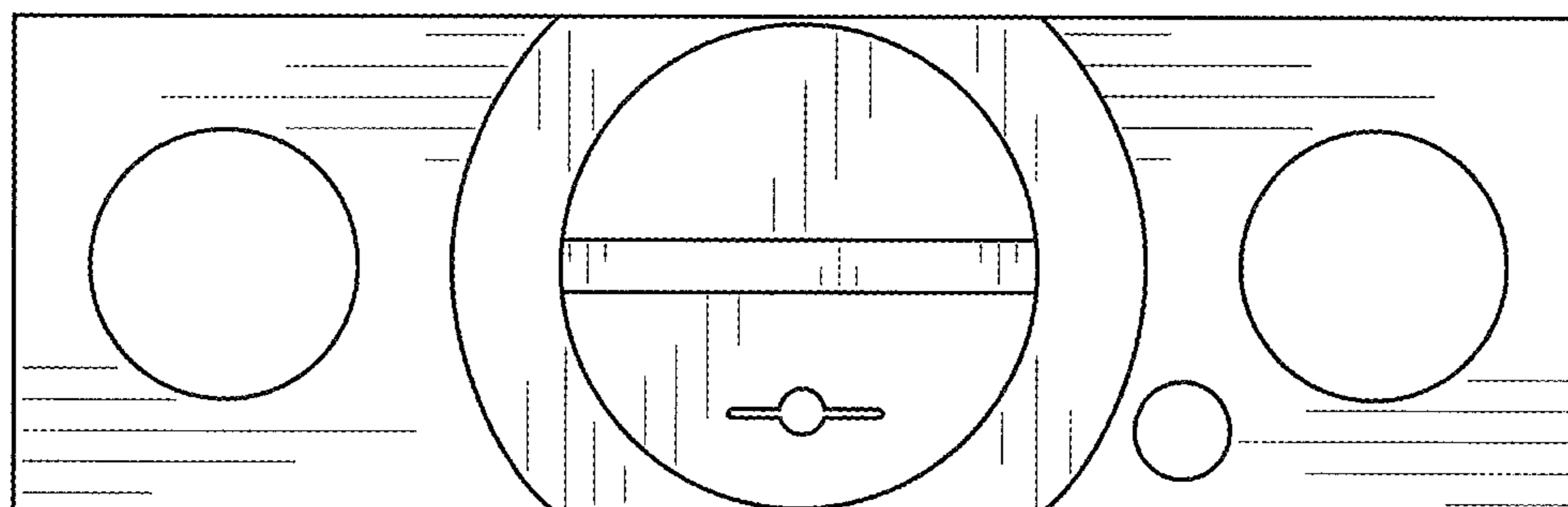


FIG. 9