



US00D752713S

(12) **United States Design Patent**
Choi et al.

(10) **Patent No.:** **US D752,713 S**
(45) **Date of Patent:** **** Mar. 29, 2016**

(54) **SHOWER HEAD**

(71) Applicant: **BRASSCRAFT MANUFACTURING COMPANY**, Novi, MI (US)

(72) Inventors: **Jessica Wonbin Choi**, Rochester, MI (US); **Nicole Collins**, Livonia, MI (US); **Alicia Krause**, Shelby Township, MI (US); **Lauren Mamelka**, Lathrup Village, MI (US)

(73) Assignee: **BrassCraft Manufacturing Company**, Novi, MI (US)

(**) Term: **14 Years**

(21) Appl. No.: **29/515,958**

(22) Filed: **Jan. 28, 2015**

(51) **LOC (10) Cl.** **23-01**

(52) **U.S. Cl.**
USPC **D23/229**

(58) **Field of Classification Search**
USPC D23/213, 229, 230, 201; 239/282, 283, 239/211, 587.1-587.5, 566; 4/615
CPC B05B 1/18; B05B 1/00; B05B 15/08; B05B 3/00

See application file for complete search history.

(56) **References Cited**

U.S. PATENT DOCUMENTS

D503,461 S * 3/2005 Ouyoung D23/229
D620,078 S * 7/2010 Jian D23/229

* cited by examiner

Primary Examiner — Robin V Webster

(74) *Attorney, Agent, or Firm* — Kirk W. Rudolph

(57) **CLAIM**

The ornamental design for a shower head, as shown and described.

DESCRIPTION

FIG. 1 is a perspective view of a shower head showing our design;

FIG. 2 is a left side view thereof;

FIG. 3 is a right side view thereof;

FIG. 4 is a front view thereof;

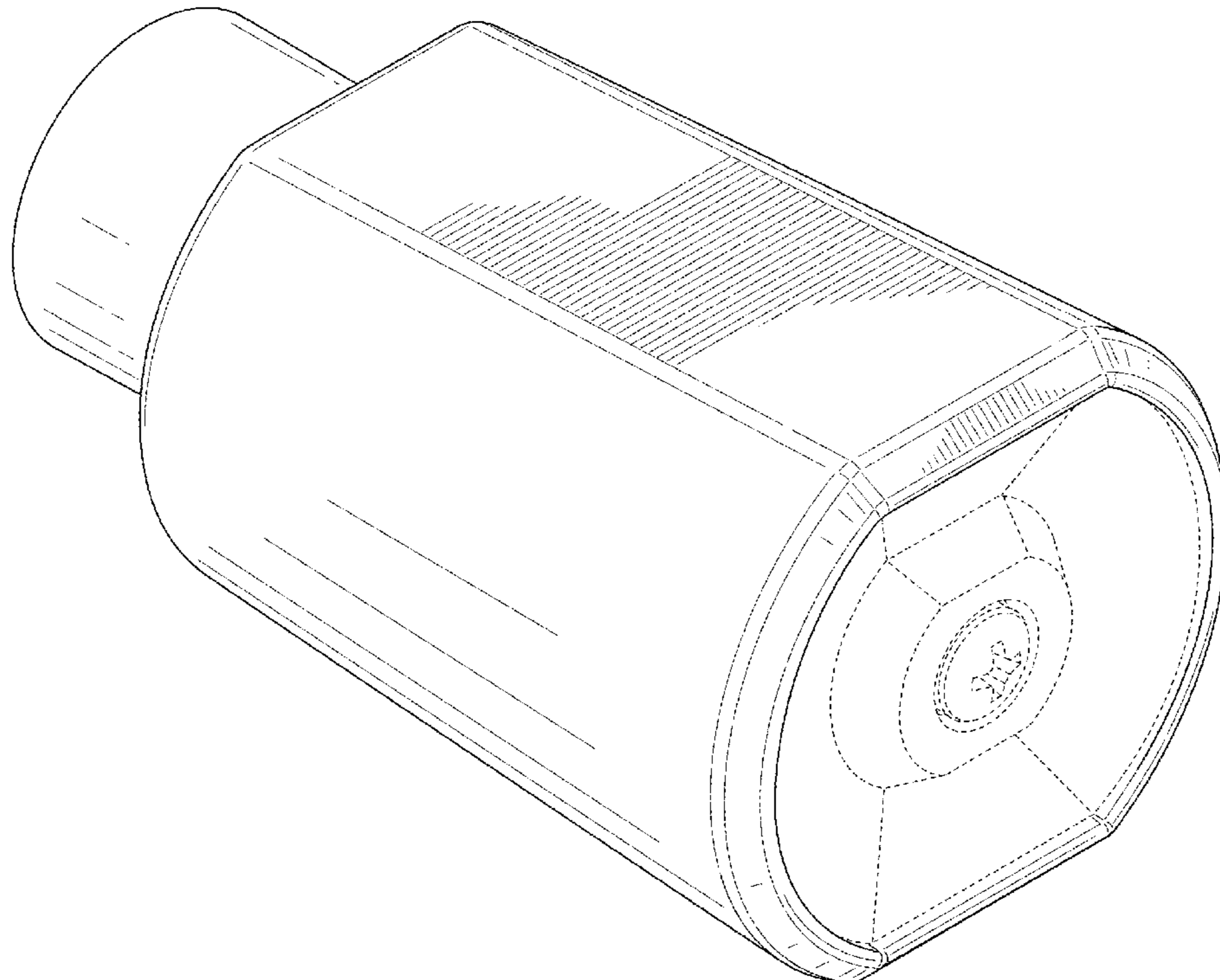
FIG. 5 is a rear view thereof;

FIG. 6 is a top view thereof; and,

FIG. 7 is a bottom view thereof.

The broken lines in the drawings represent unclaimed portions of the shower head and form no portion thereof.

1 Claim, 7 Drawing Sheets



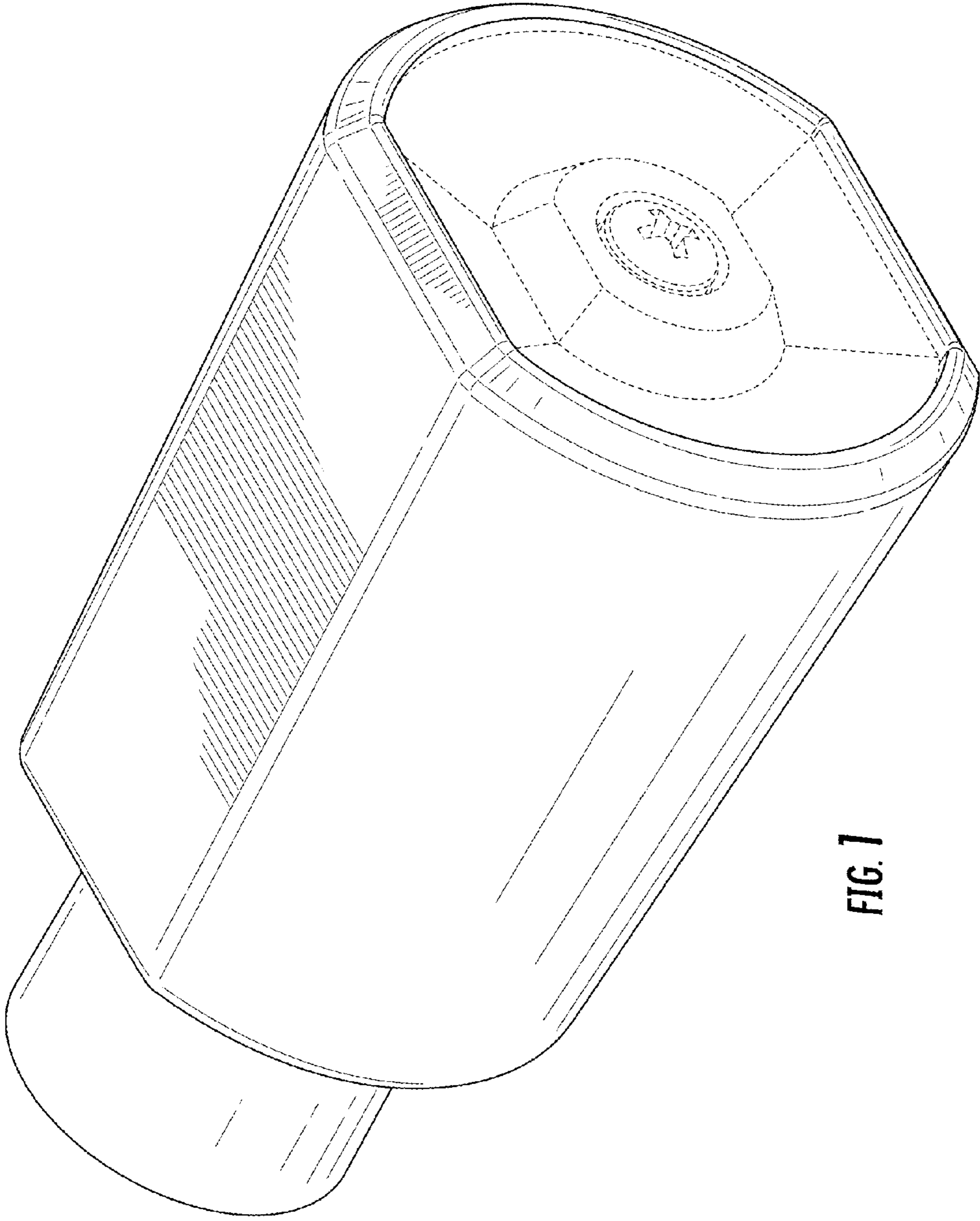


FIG. 1

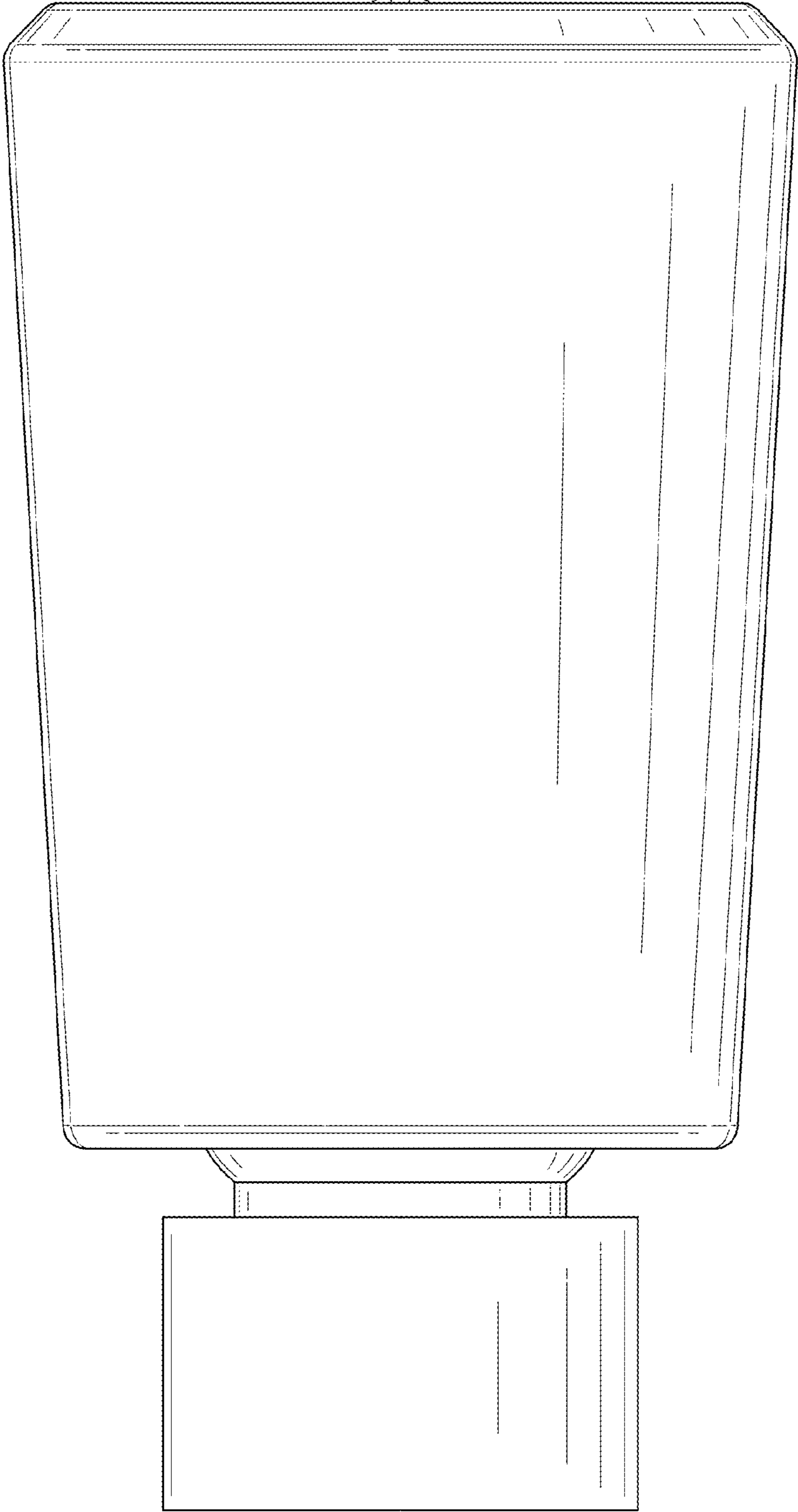


FIG. 2

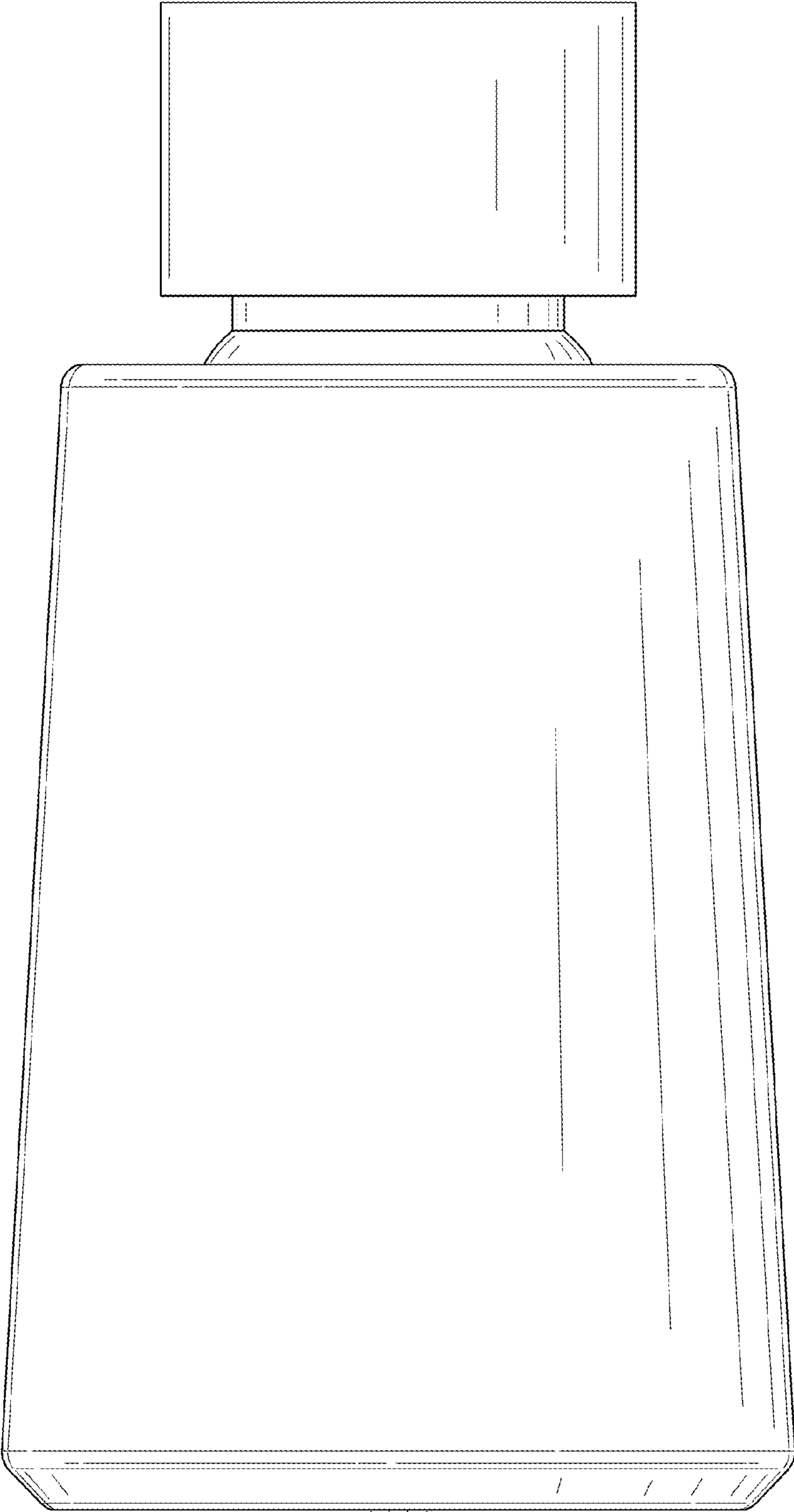


FIG. 3

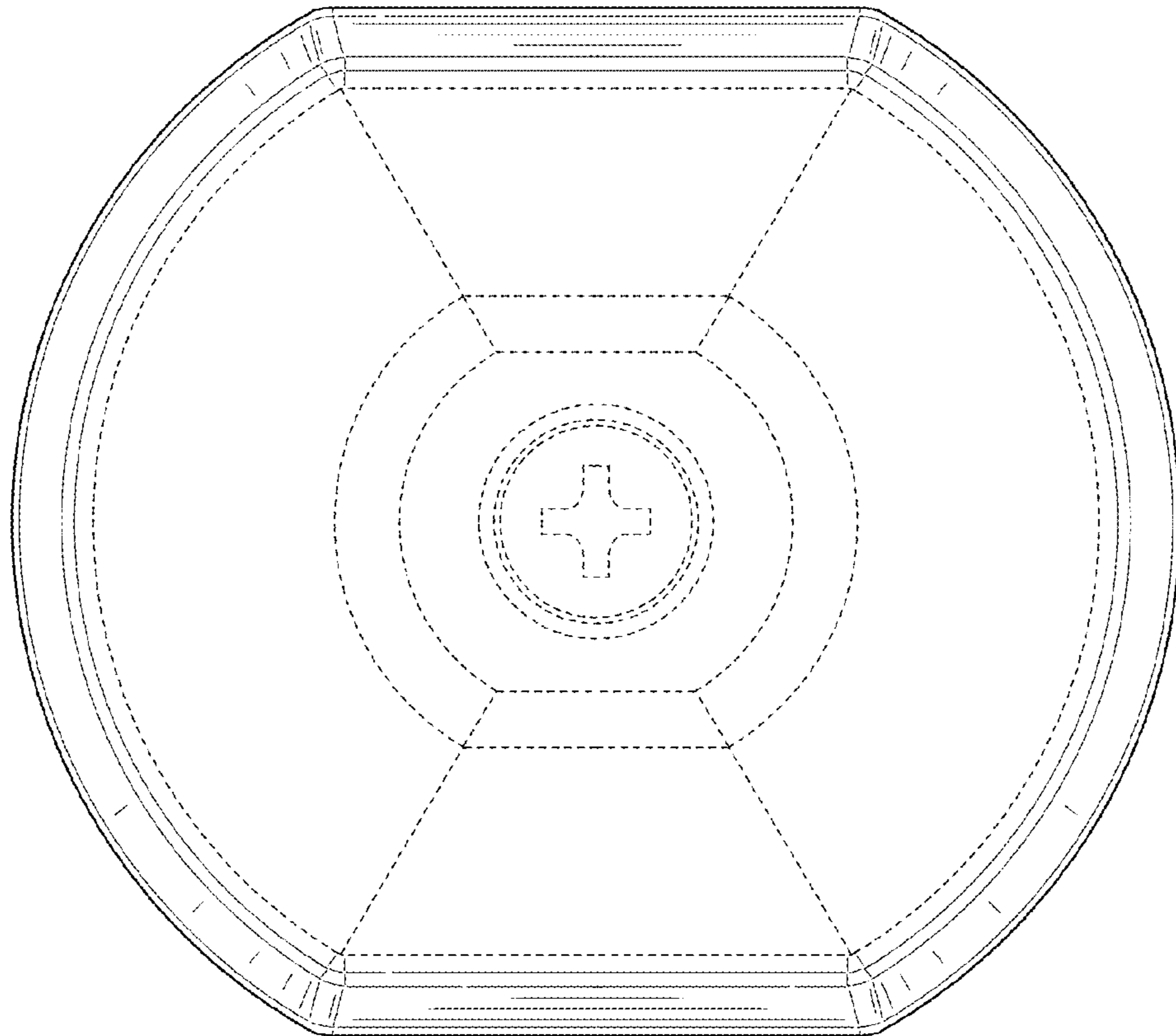


FIG. 4

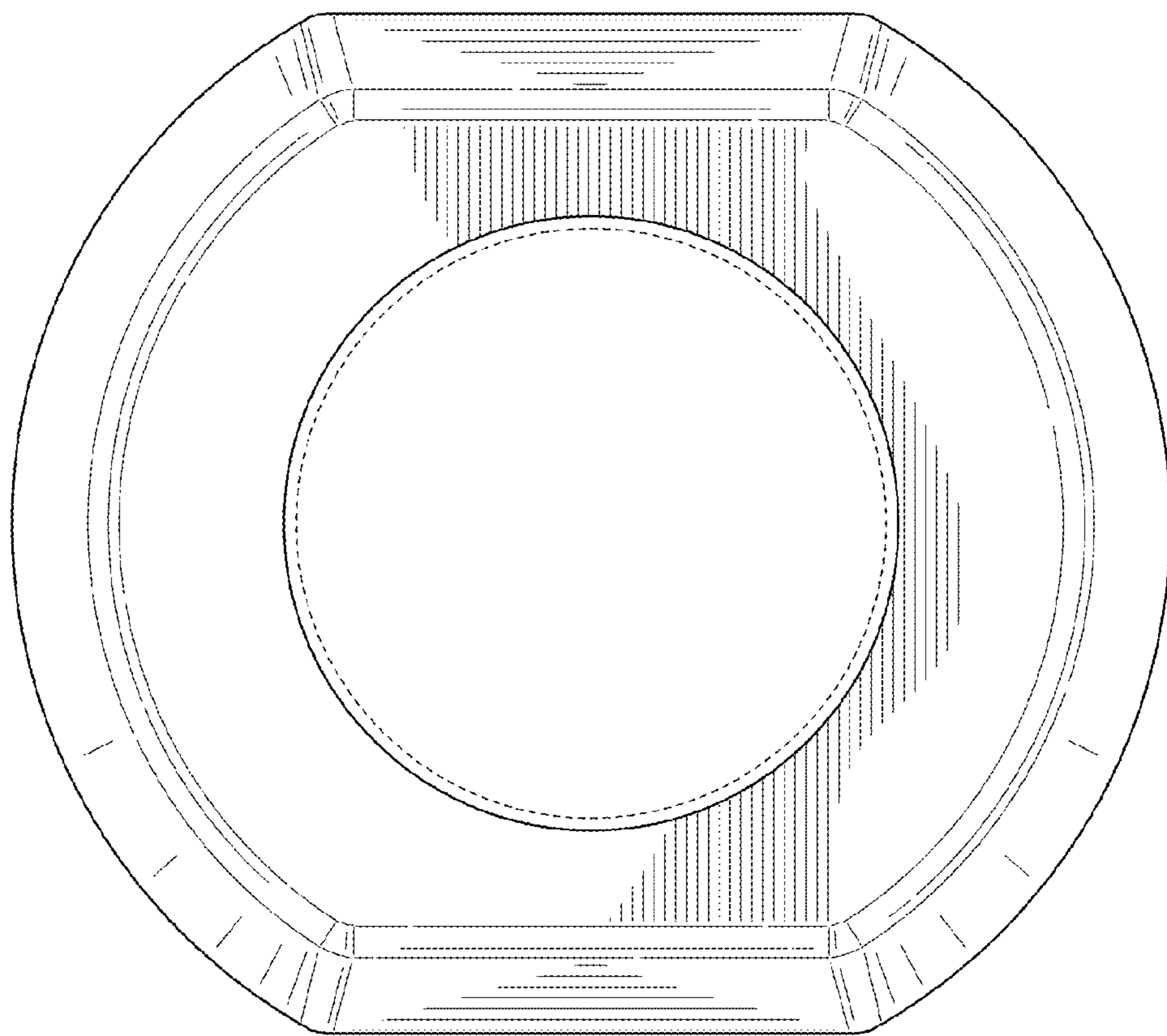


FIG. 5

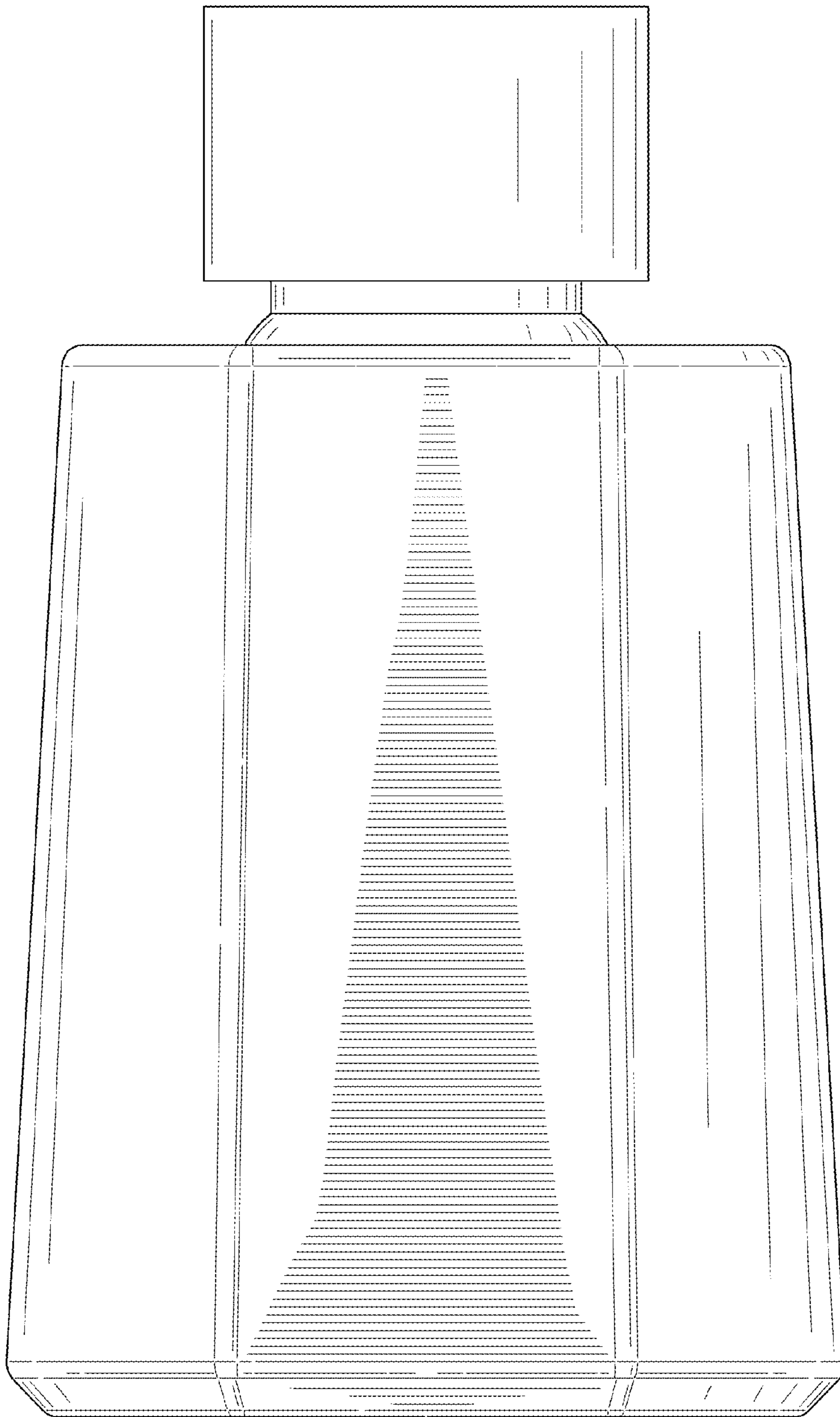


FIG. 6

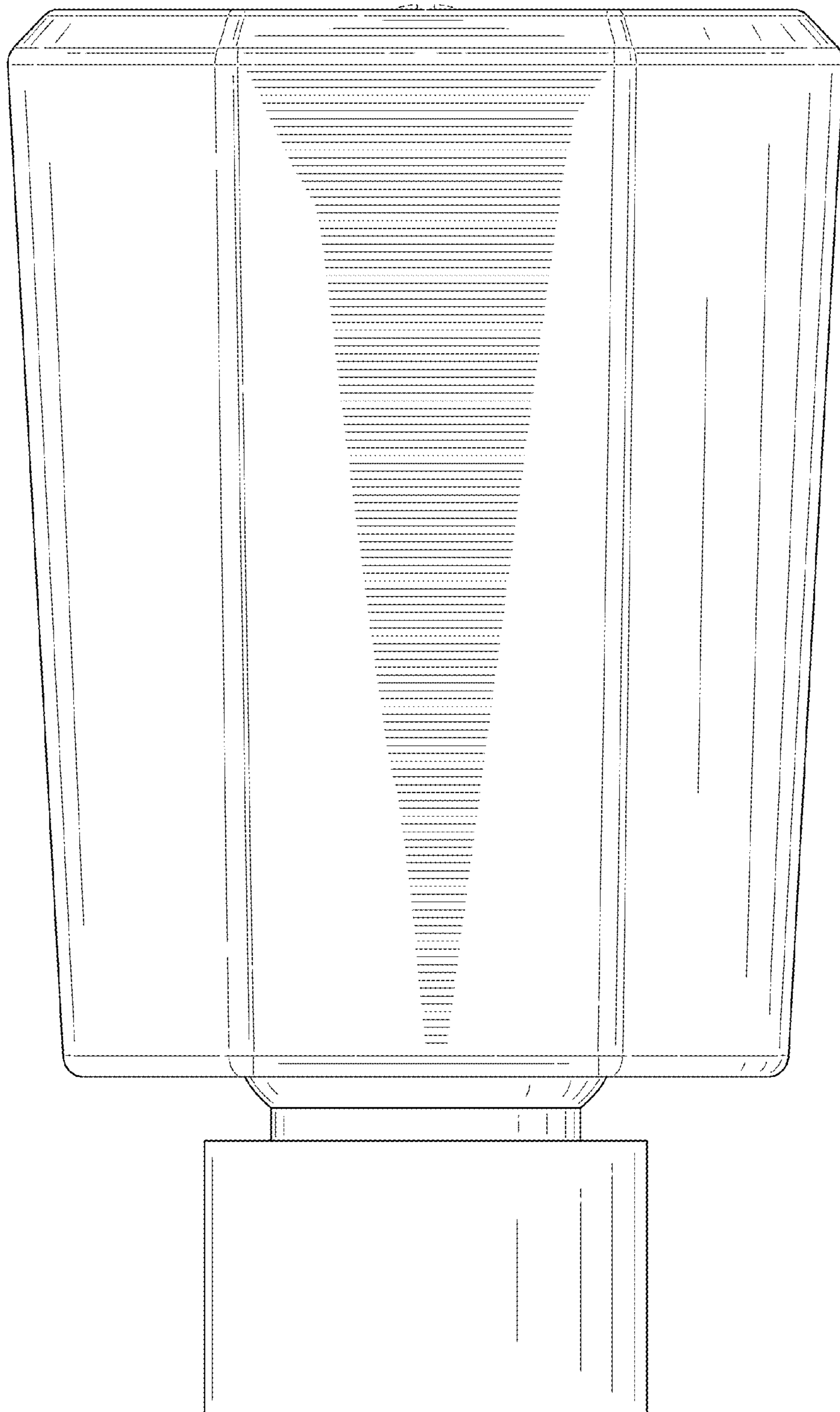


FIG. 7