



US00D752711S

(12) **United States Design Patent**
Georgeson

(10) **Patent No.:** **US D752,711 S**
(45) **Date of Patent:** **** Mar. 29, 2016**

- (54) **SHOWERHEAD**
- (71) Applicant: **Kohler Co.**, Kohler, WI (US)
- (72) Inventor: **Paul B. Georgeson**, Milwaukee, WI (US)
- (73) Assignee: **KOHLER CO.**, Kohler, WI (US)
- (**) Term: **14 Years**
- (21) Appl. No.: **29/524,392**
- (22) Filed: **Apr. 20, 2015**

D510,760 S	10/2005	Blomstrom	
D512,126 S	11/2005	Blomstrom	
D524,905 S *	7/2006	Hoernig	D23/213
D531,271 S	10/2006	Kohler et al.	
D533,258 S	12/2006	Berberet	
D536,561 S	2/2007	Berberet	
D566,818 S	4/2008	Kohler et al.	
D569,486 S	5/2008	Fritz et al.	
D572,799 S	7/2008	Kohler et al.	
D590,913 S *	4/2009	Smith	D23/213
D603,023 S	10/2009	Tippens et al.	
D612,016 S	3/2010	Williams	
D636,461 S	4/2011	Romero	
D644,304 S	8/2011	Slothower et al.	
D649,224 S	11/2011	McKeone	
D652,482 S *	1/2012	Obara	D23/213
D661,782 S	6/2012	Slothower et al.	

Related U.S. Application Data

- (62) Division of application No. 29/494,785, filed on Jun. 24, 2014, now Pat. No. Des. 743,507.
- (51) **LOC (10) Cl.** **23-01**
- (52) **U.S. Cl.**
USPC **D23/213**
- (58) **Field of Classification Search**
USPC D23/213, 223, 229, 230; 239/282, 283
CPC B05B 1/18; B05B 1/00; E03C 1/06
See application file for complete search history.

Primary Examiner — Robin V Webster
(74) *Attorney, Agent, or Firm* — Foley & Lardner LLP

(Continued)

(57) **CLAIM**

I claim the ornamental design for a showerhead, as shown and described.

DESCRIPTION

FIG. 1 is a top, front, right, perspective view of an embodiment of the claimed design;
 FIG. 2 is a front elevation view thereof;
 FIG. 3 is a rear elevation view thereof;
 FIG. 4 is a right elevation view thereof;
 FIG. 5 is a left elevation view thereof;
 FIG. 6 is a top plan view thereof; and,
 FIG. 7 is a bottom plan view thereof.

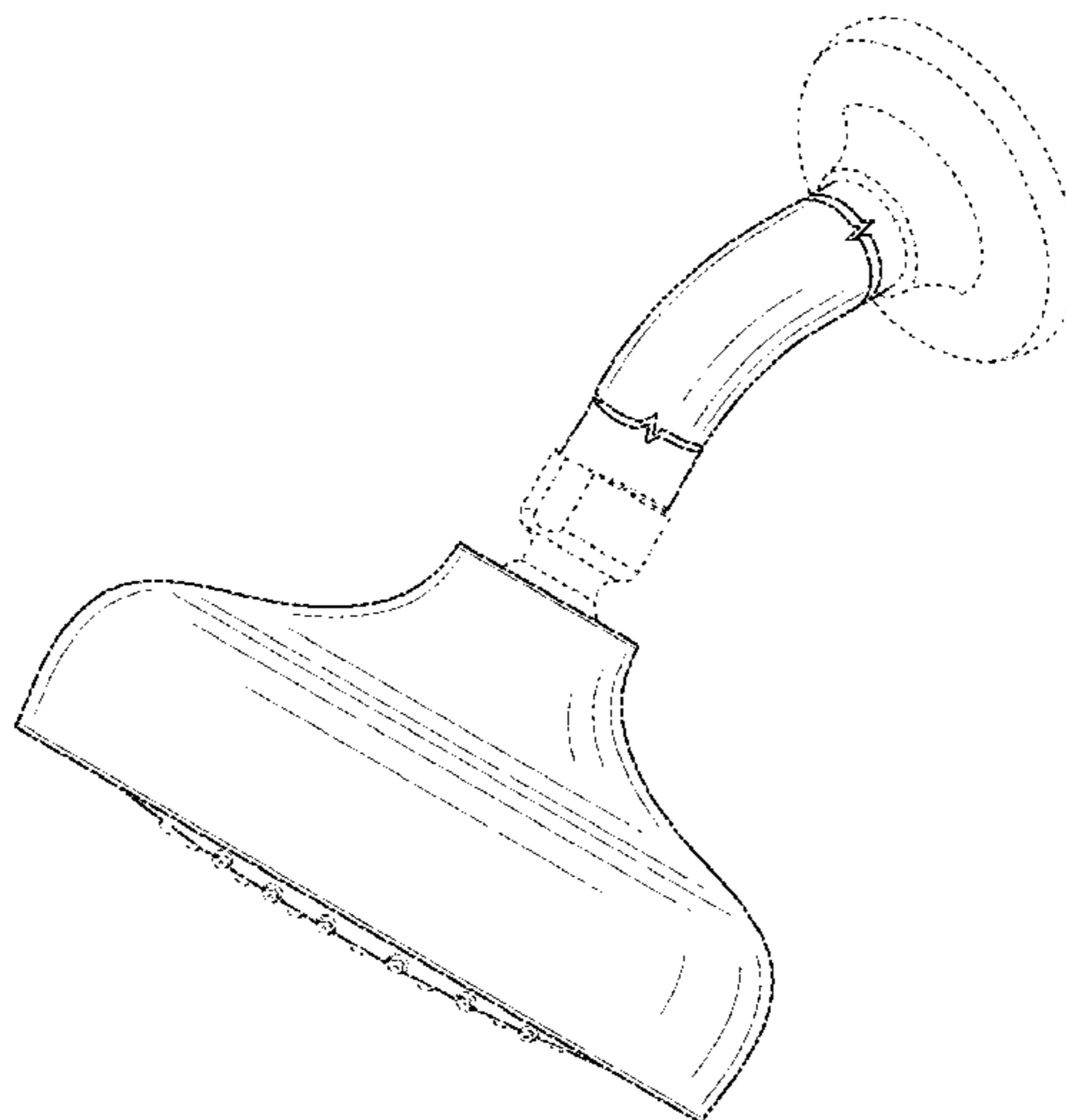
The ornamental design which is claimed is shown in solid lines in the drawings. The broken lines in the drawings form no part of the claimed design. Broken lines formed by equal length dashes show unclaimed subject matter. Broken away symbols having a jagged element show that no particular length of the portion is claimed.

(56) **References Cited**

U.S. PATENT DOCUMENTS

1,597,477 A *	8/1926	Panhorst	B05B 15/067
			239/548
2,073,307 A *	3/1937	Isenberg	E03C 1/06
			239/282
D349,948 S	8/1994	Bollenbacher et al.	
D354,548 S	1/1995	Bollenbacher et al.	
D415,259 S	10/1999	Slothower	
D433,483 S	11/2000	Paredes	
6,276,004 B1 *	8/2001	Bertrand	E03C 1/042
			137/359
D463,536 S	9/2002	Lord	
D464,117 S	10/2002	Blomstrom	
D492,981 S	7/2004	Bloomstrom	

1 Claim, 7 Drawing Sheets



(56)

References Cited

U.S. PATENT DOCUMENTS

D680,626 S 4/2013 Kwok
D682,396 S 5/2013 Romero
D682,991 S 5/2013 Liao

D697,178 S 1/2014 Georgeson et al.
D713,002 S * 9/2014 McKeone D23/213
D713,942 S 9/2014 Potter et al.
D718,418 S * 11/2014 Georgeson D23/213
D734,426 S * 7/2015 Hundley D23/213

* cited by examiner

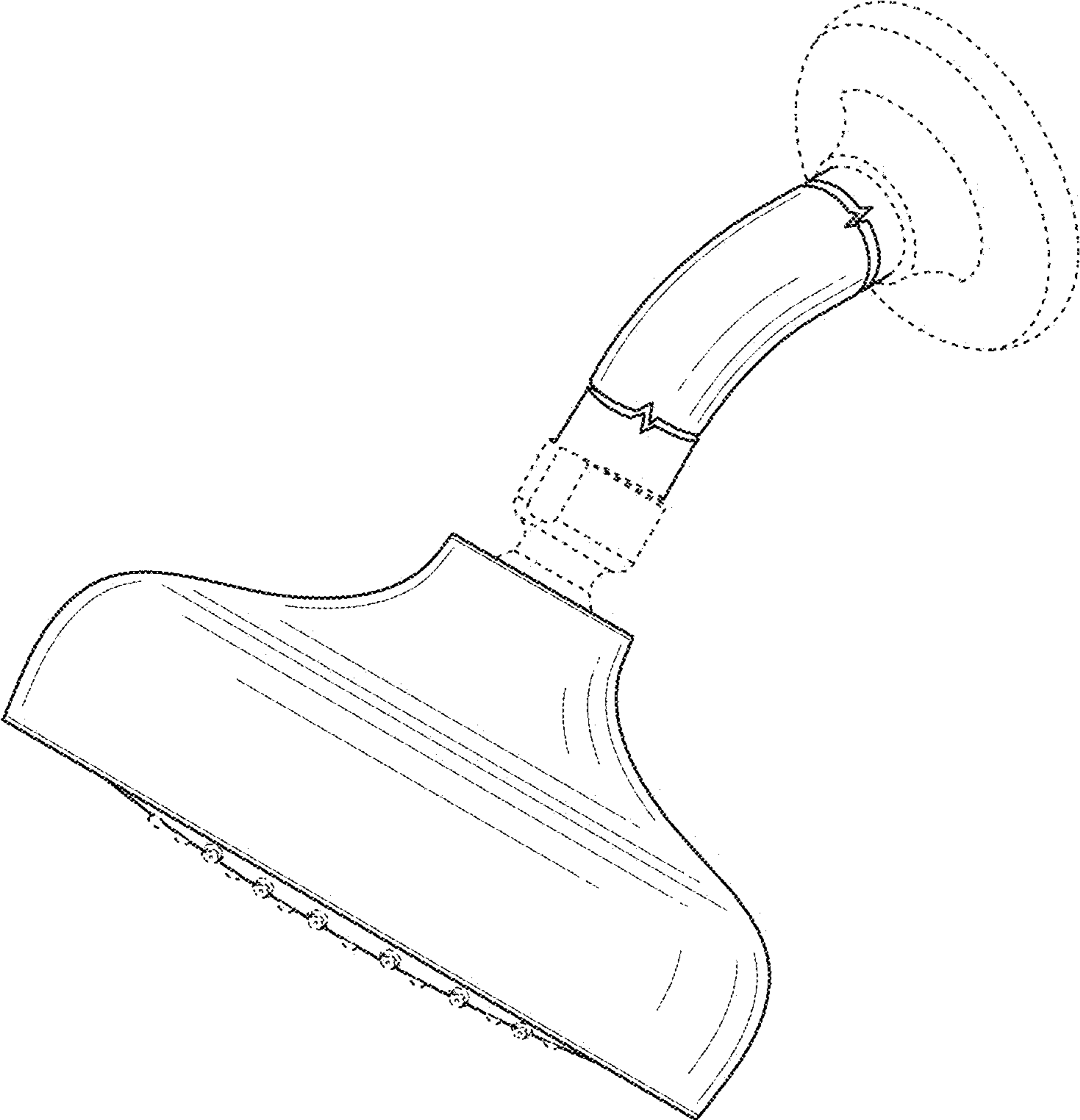


FIG. 1

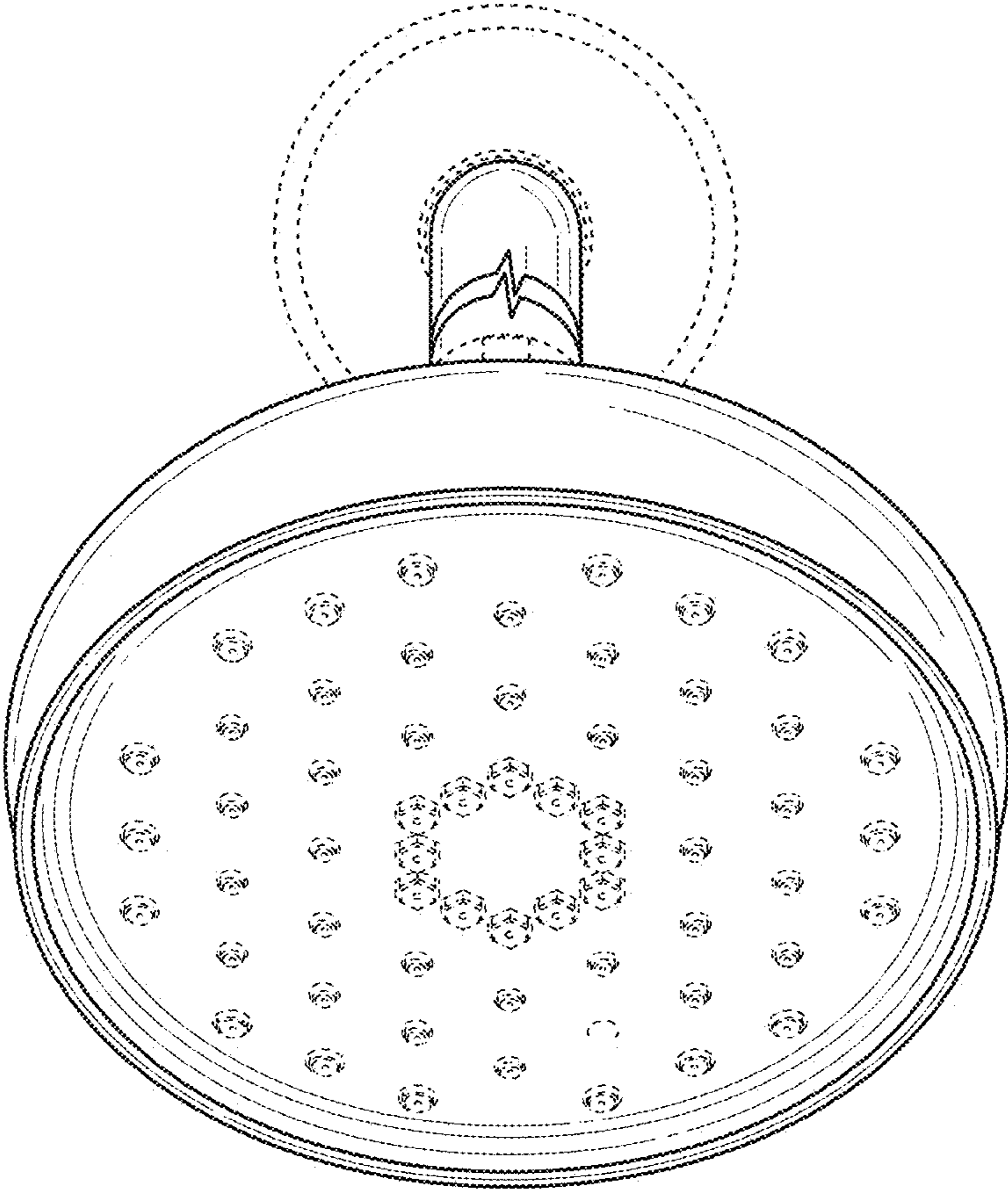


FIG. 2

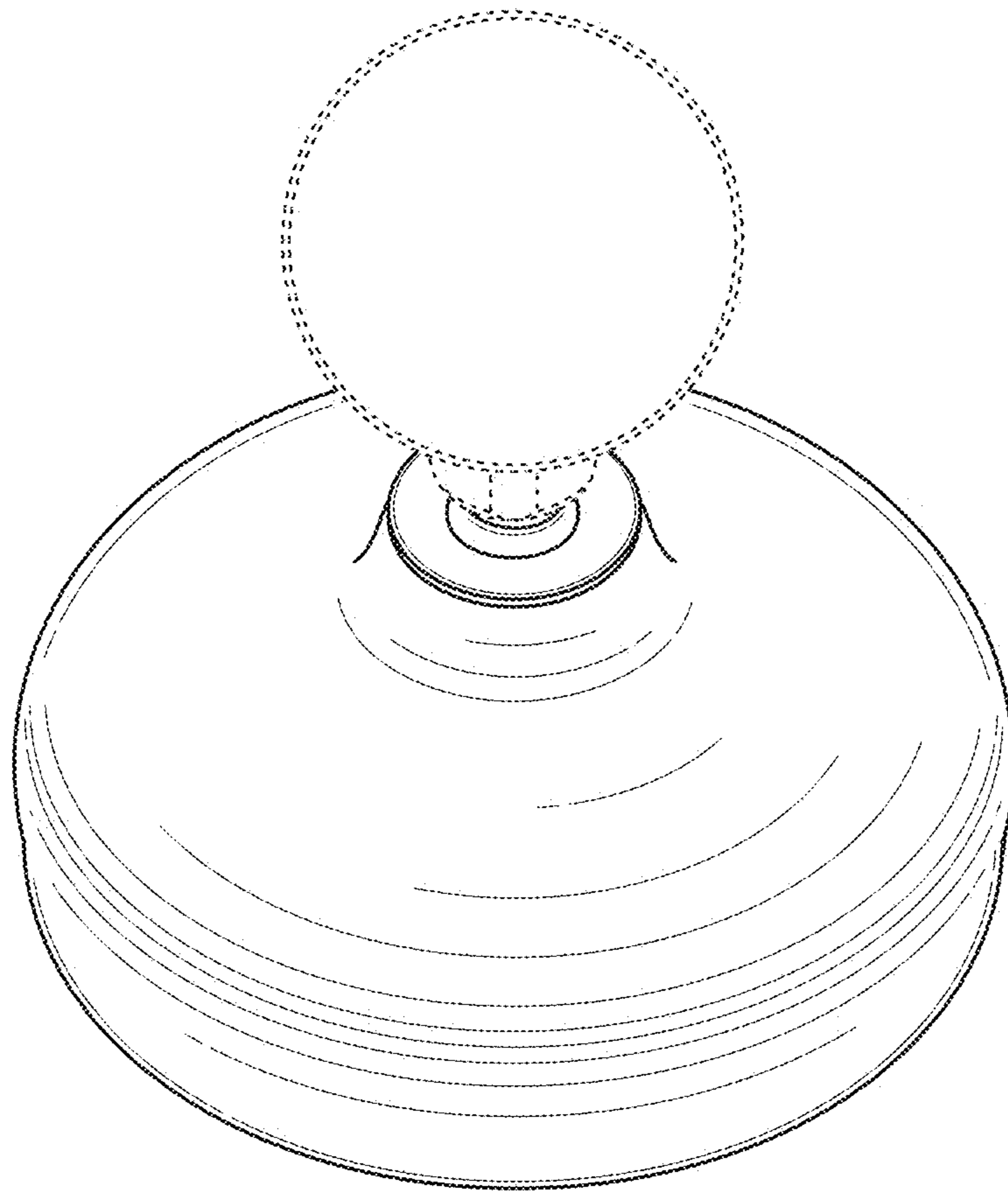


FIG. 3

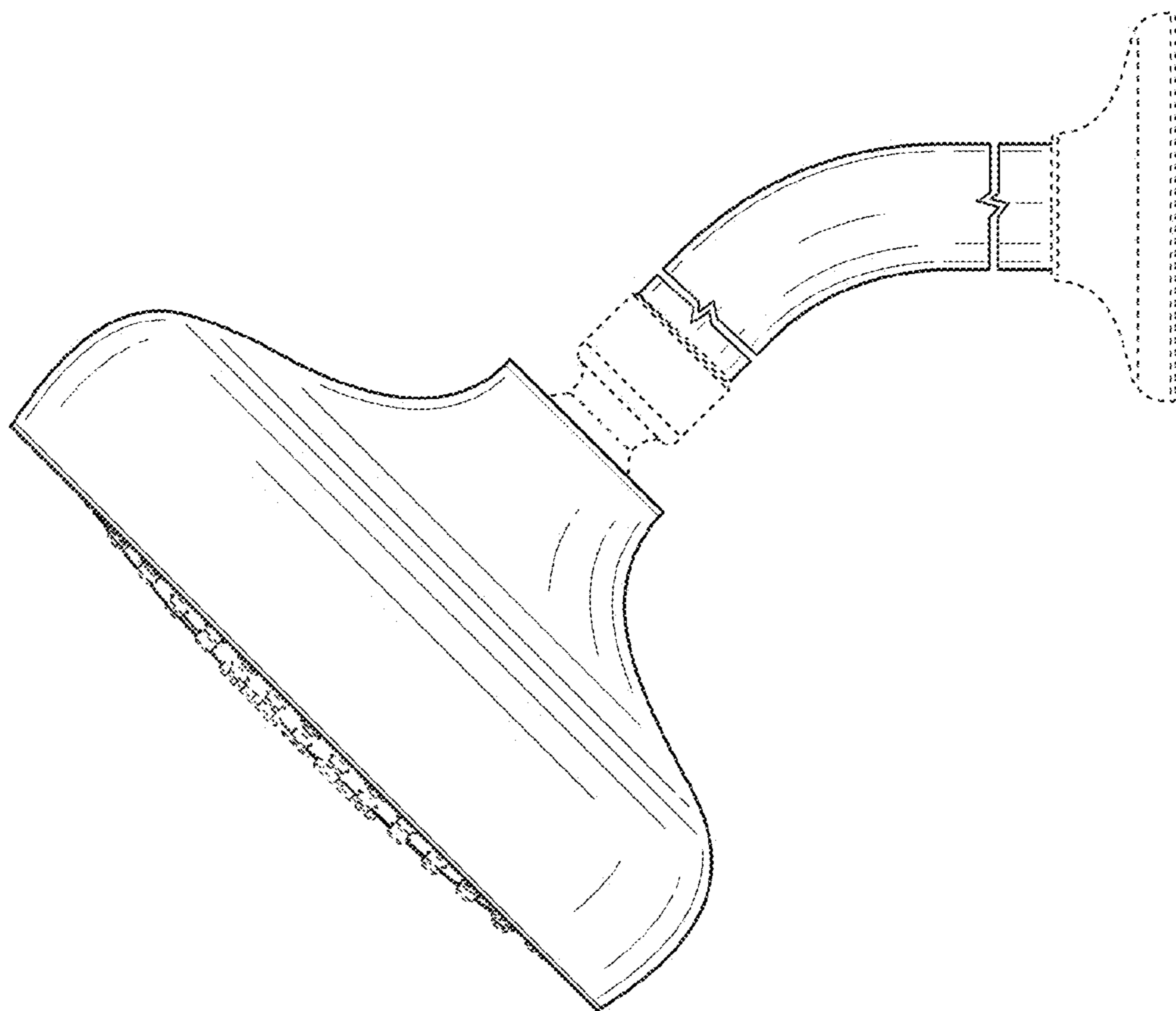


FIG. 4

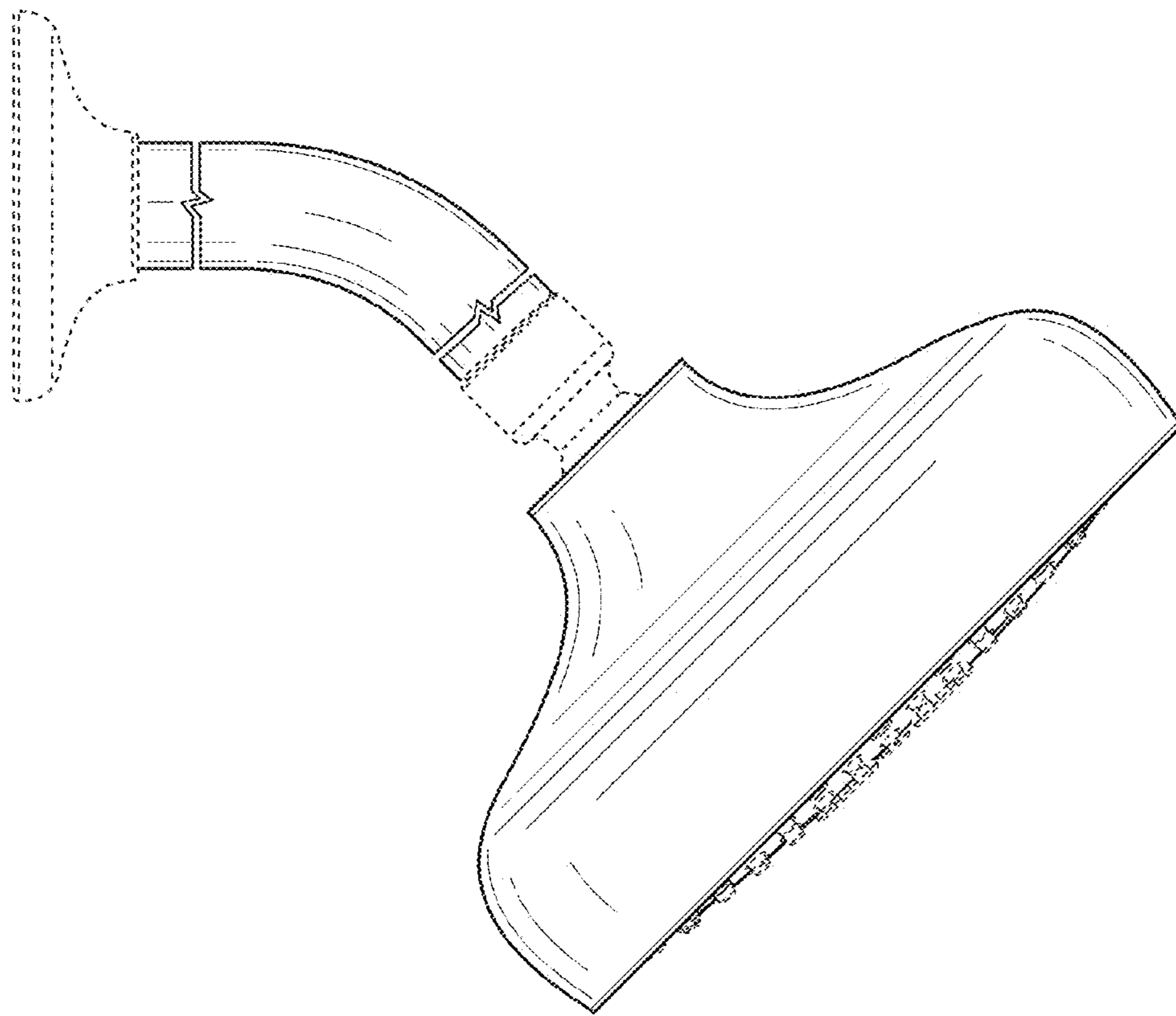


FIG. 5

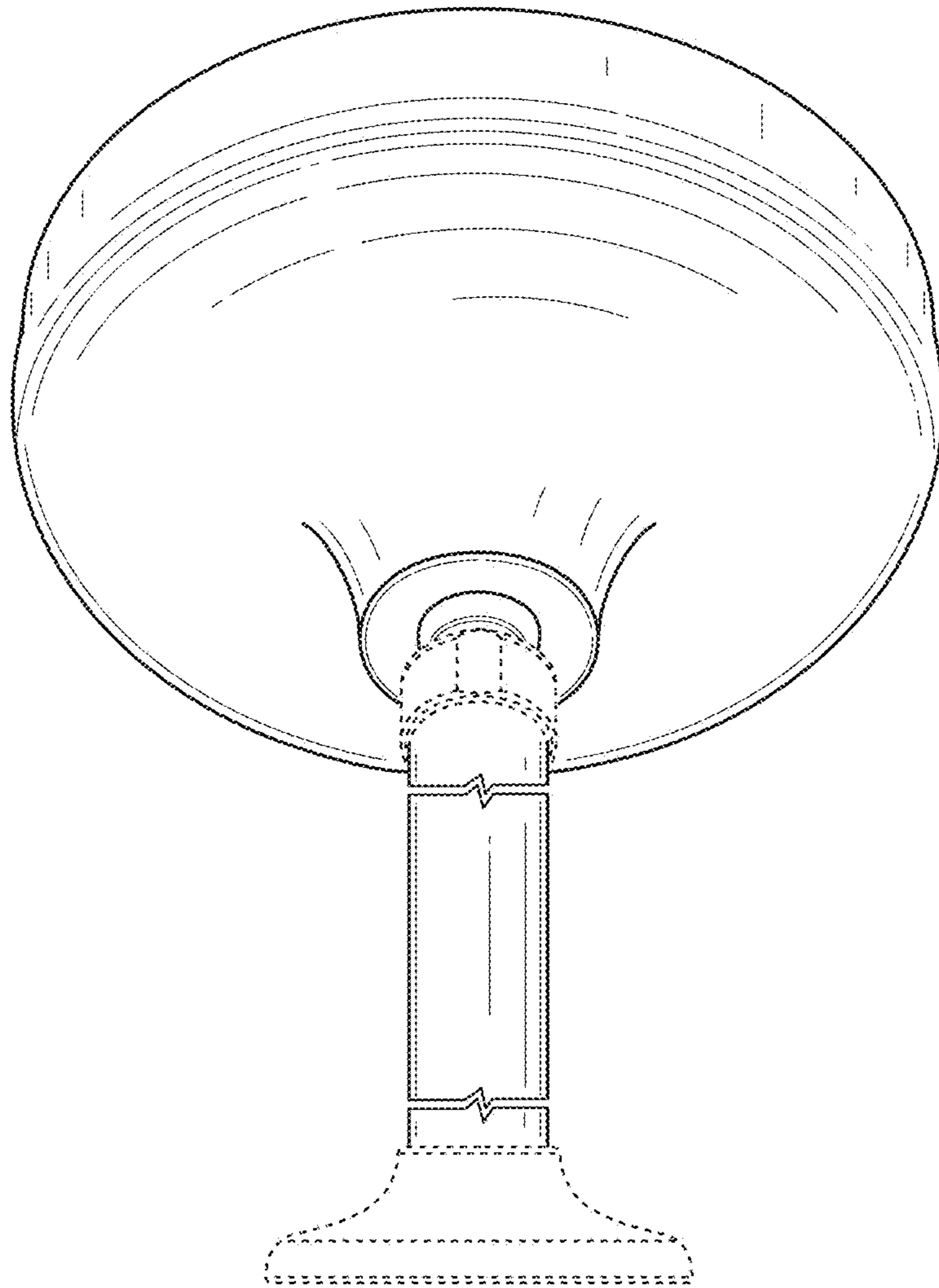


FIG. 6

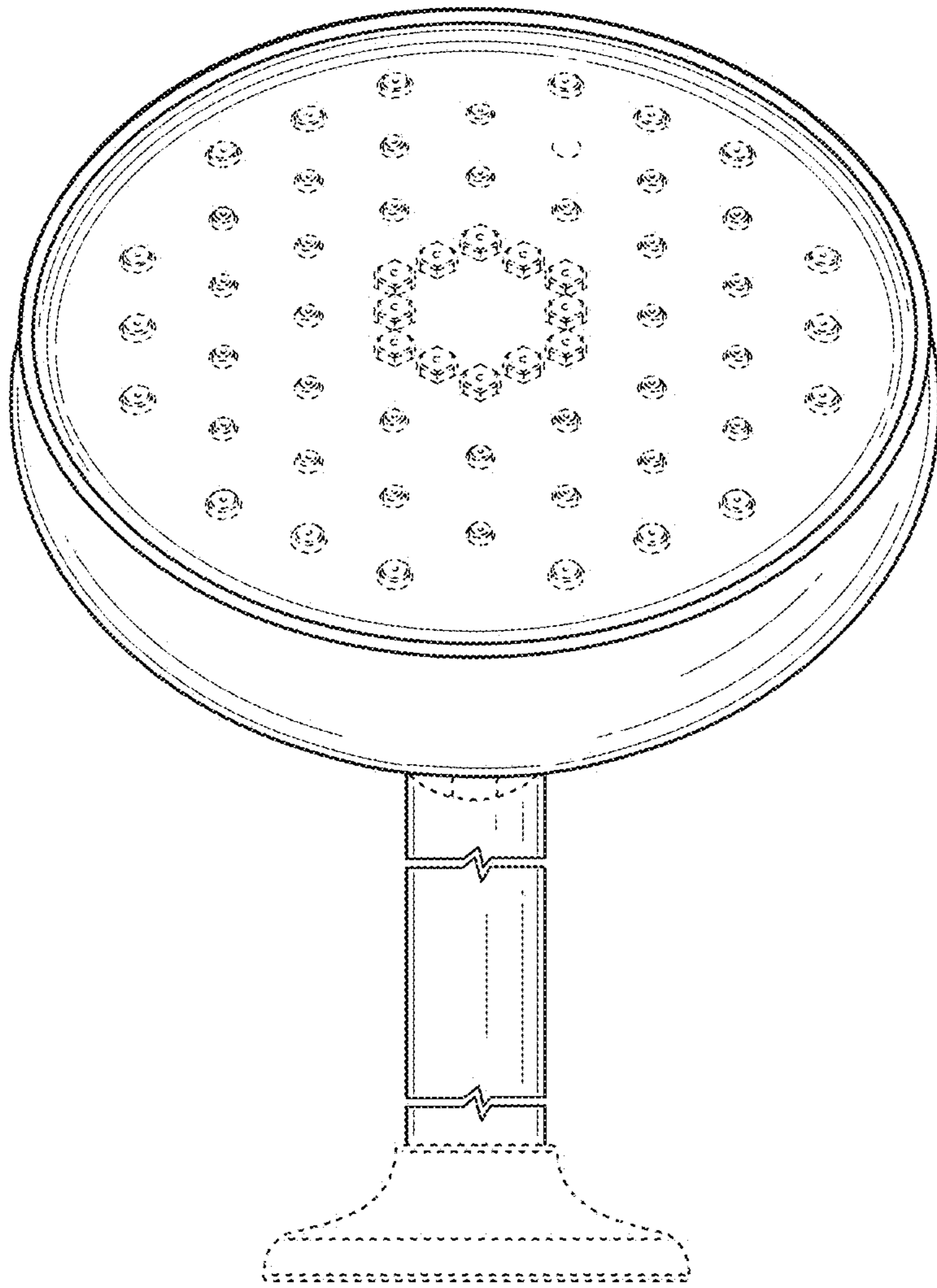


FIG. 7