



US00D752710S

(12) **United States Design Patent**
Tempel

(10) **Patent No.:** **US D752,710 S**
(45) **Date of Patent:** **** Mar. 29, 2016**

(54) **LOW PRESSURE, LOW FLOW STREAM STRAIGHTENER**

(56) **References Cited**

U.S. PATENT DOCUMENTS

- (71) Applicant: **Neoperl GmbH**, Mullheim (DE)
- (72) Inventor: **Marc Tempel**, Freiburg (DE)
- (73) Assignee: **Neoperl GmbH**, Müllheim (DE)
- (**) Term: **14 Years**
- (21) Appl. No.: **29/520,361**
- (22) Filed: **Mar. 13, 2015**

6,126,093	A	10/2000	Grether et al.
D550,816	S	9/2007	Grether
D550,818	S	9/2007	Grether
7,357,337	B2	4/2008	Ferrari
7,374,366	B2	5/2008	Tasi
D605,732	S	12/2009	Stein
D612,911	S	3/2010	Grether
D622,355	S	8/2010	Grether
D641,071	S	7/2011	Grether
RE43,347	E	5/2012	Grether
D674,878	S	1/2013	Jones et al.
D682,986	S	5/2013	Grether
D688,774	S	8/2013	Tempel
D693,427	S	11/2013	Jones et al.
D697,175	S	1/2014	Grether

Related U.S. Application Data

(62) Division of application No. 29/466,308, filed on Sep. 6, 2013, now Pat. No. Des. 728,740.

Foreign Application Priority Data

Mar. 11, 2013 (WO) 725354801

(51) **LOC (10) Cl.** **23-01**

(52) **U.S. Cl.**
USPC **D23/213**

(58) **Field of Classification Search**
USPC D23/213, 249; 239/428.5, 437;
261/DIG. 22; 366/276, 364-5

See application file for complete search history.

Primary Examiner — Robin V Webster

(74) *Attorney, Agent, or Firm* — Volpe and Koenig, P.C.

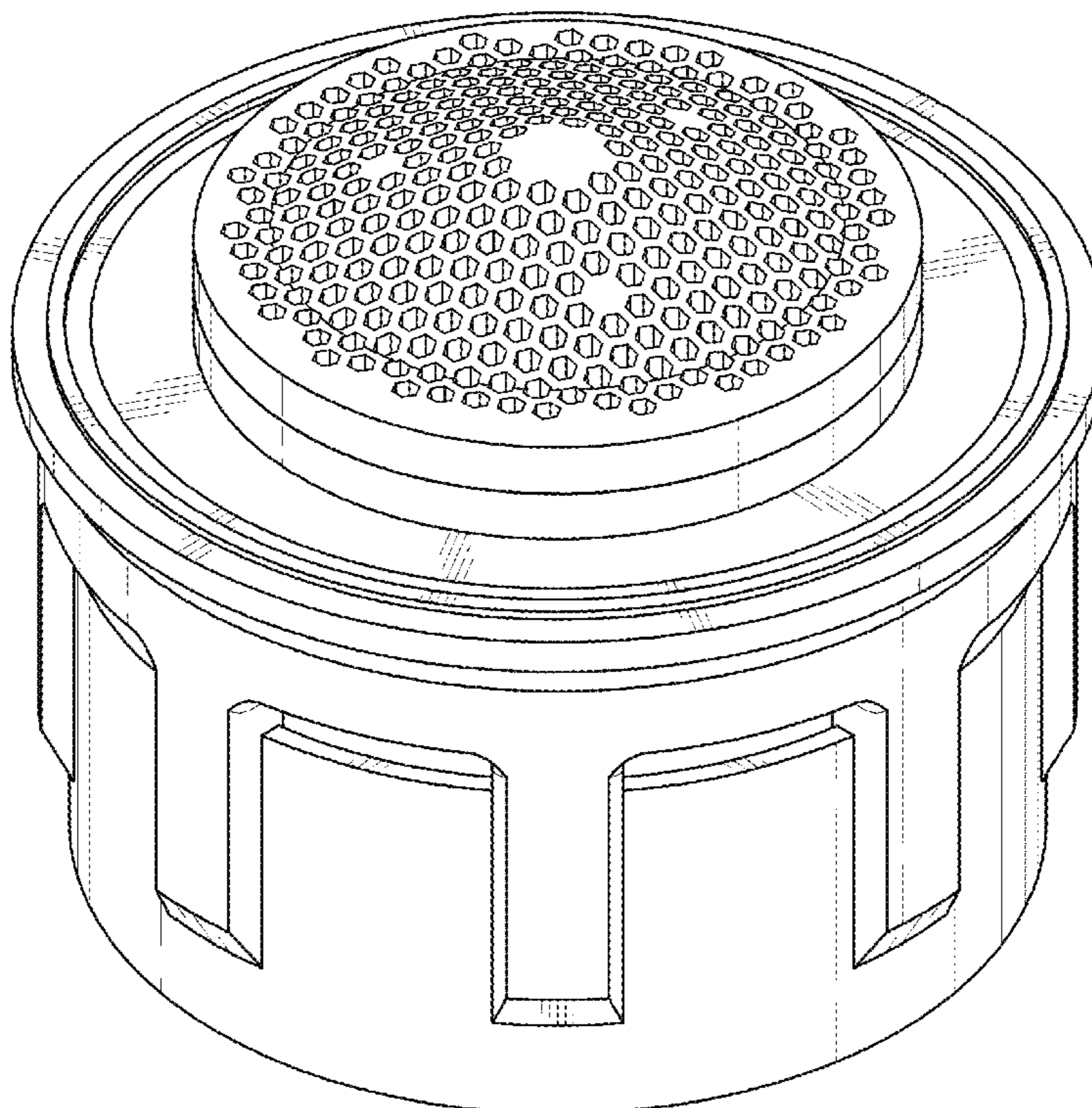
(57) **CLAIM**

The ornamental design of a low pressure, low flow stream straightener, as shown and described.

DESCRIPTION

FIG. 1 is a top plan view of a low pressure, low flow stream straightener in accordance with my design;
FIG. 2 is a top, front perspective view thereof;
FIG. 3 is a bottom view thereof;
FIG. 4 is a bottom, rear perspective view thereof; and,
FIG. 5 is an elevational view thereof.

1 Claim, 5 Drawing Sheets



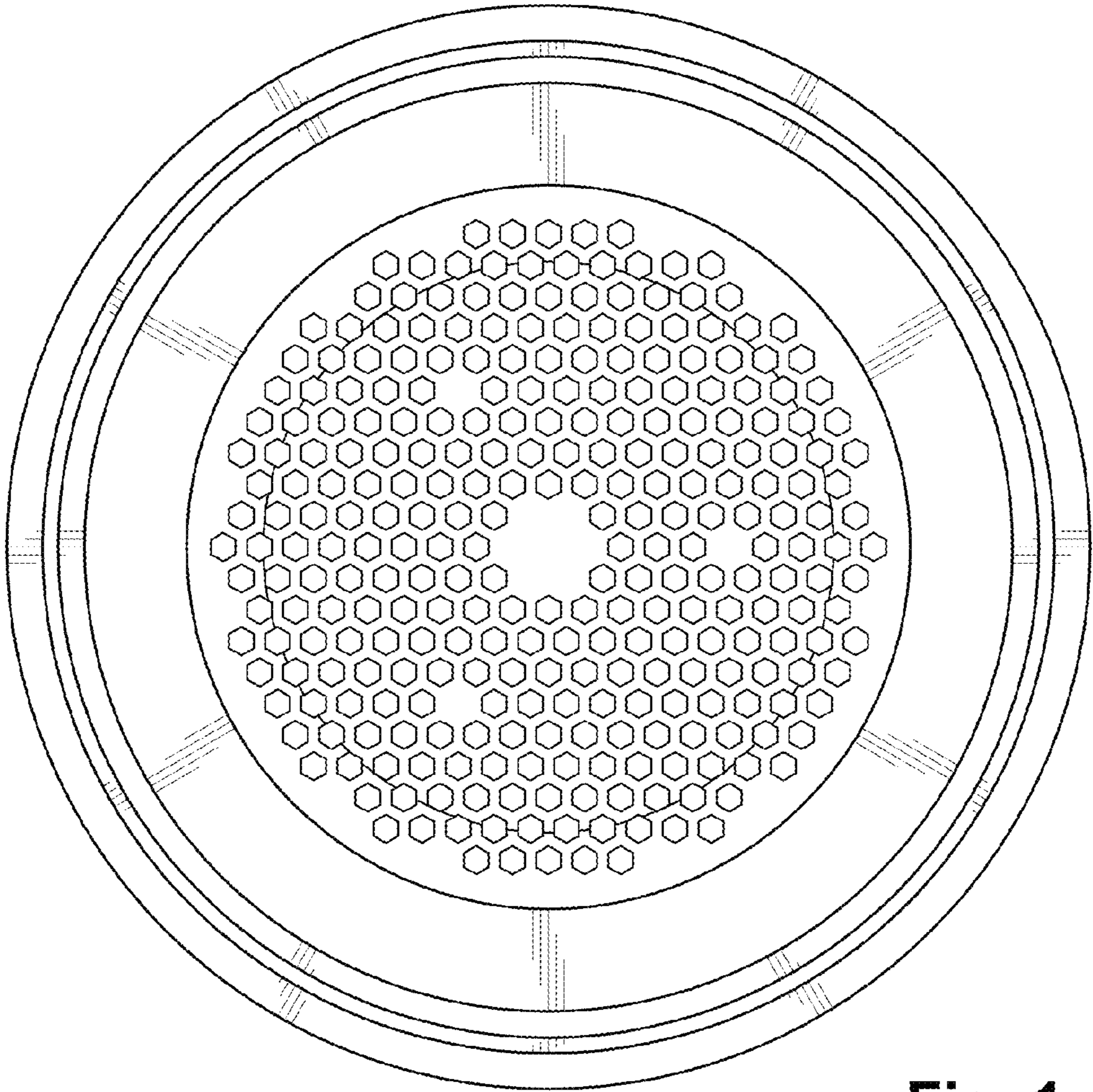


Fig. 1

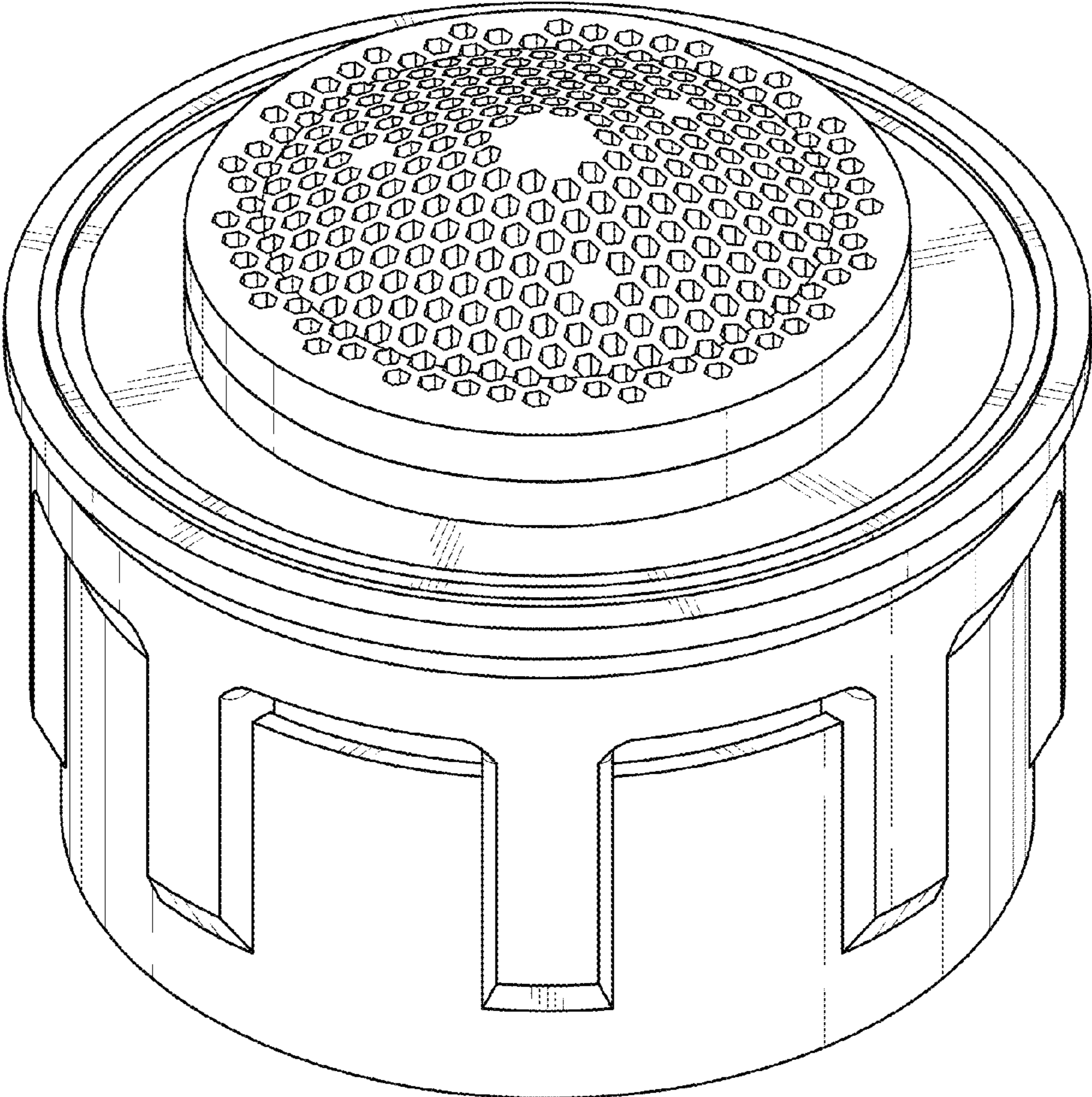


Fig. 2

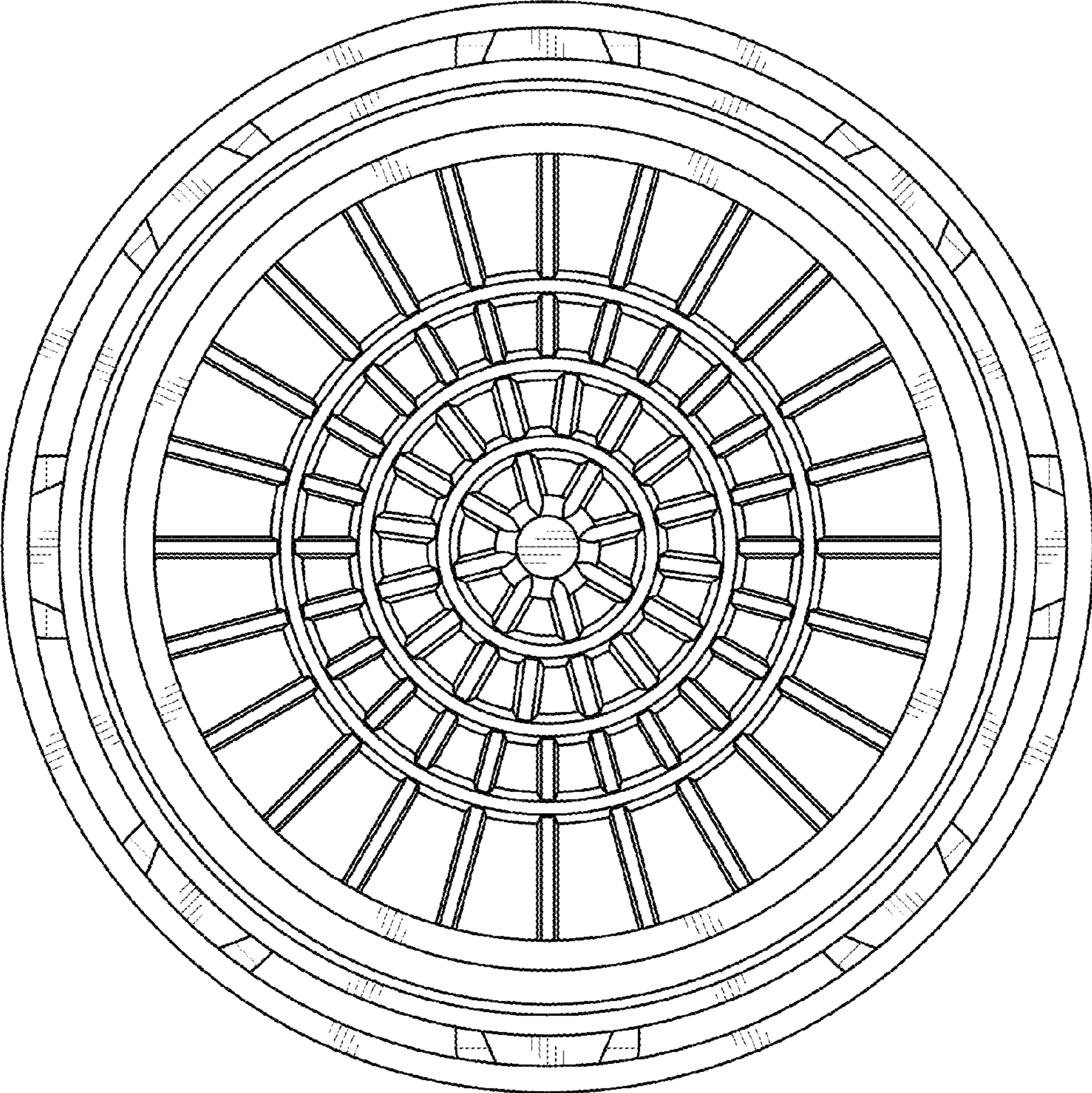


Fig. 3

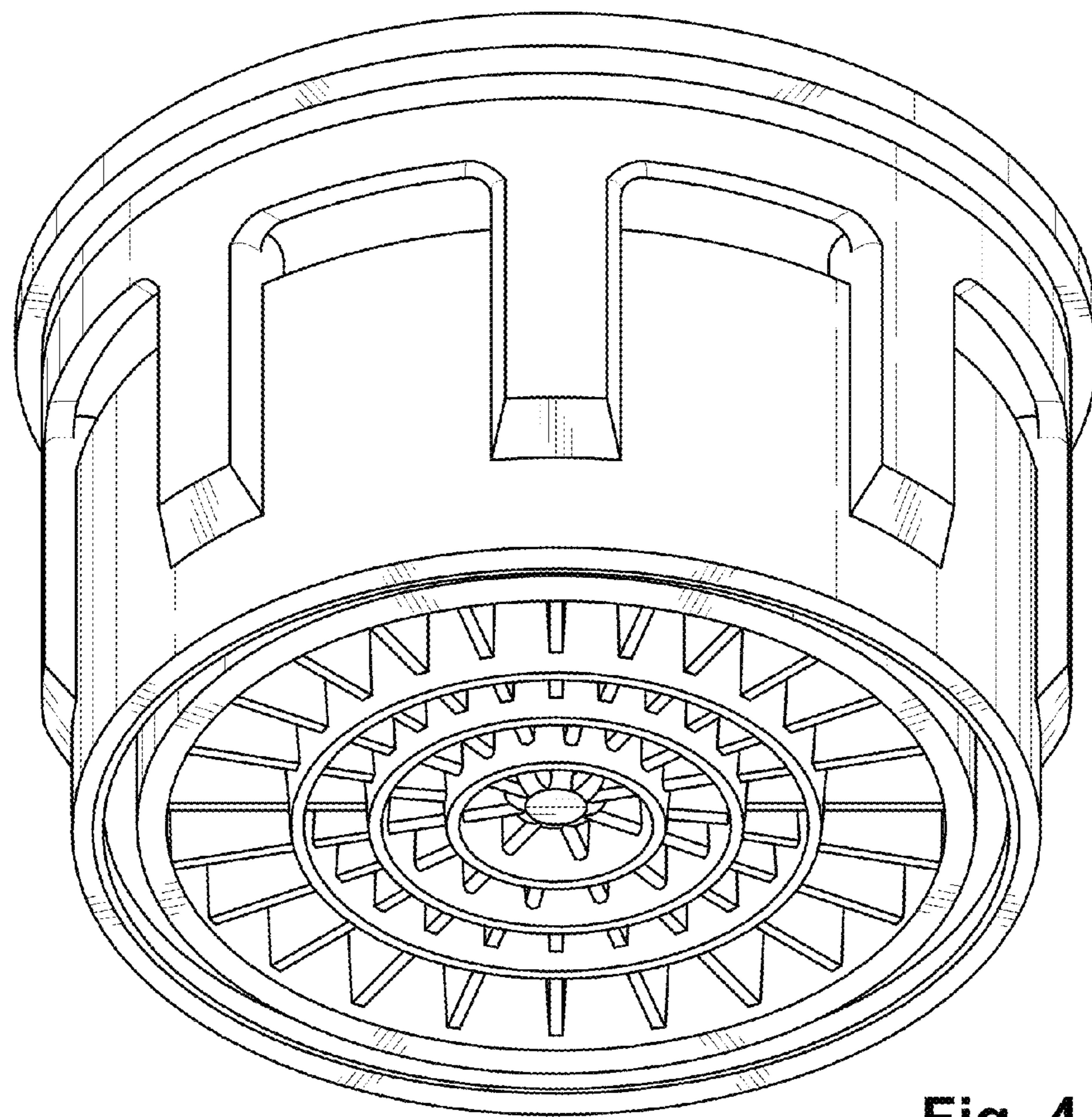


Fig. 4

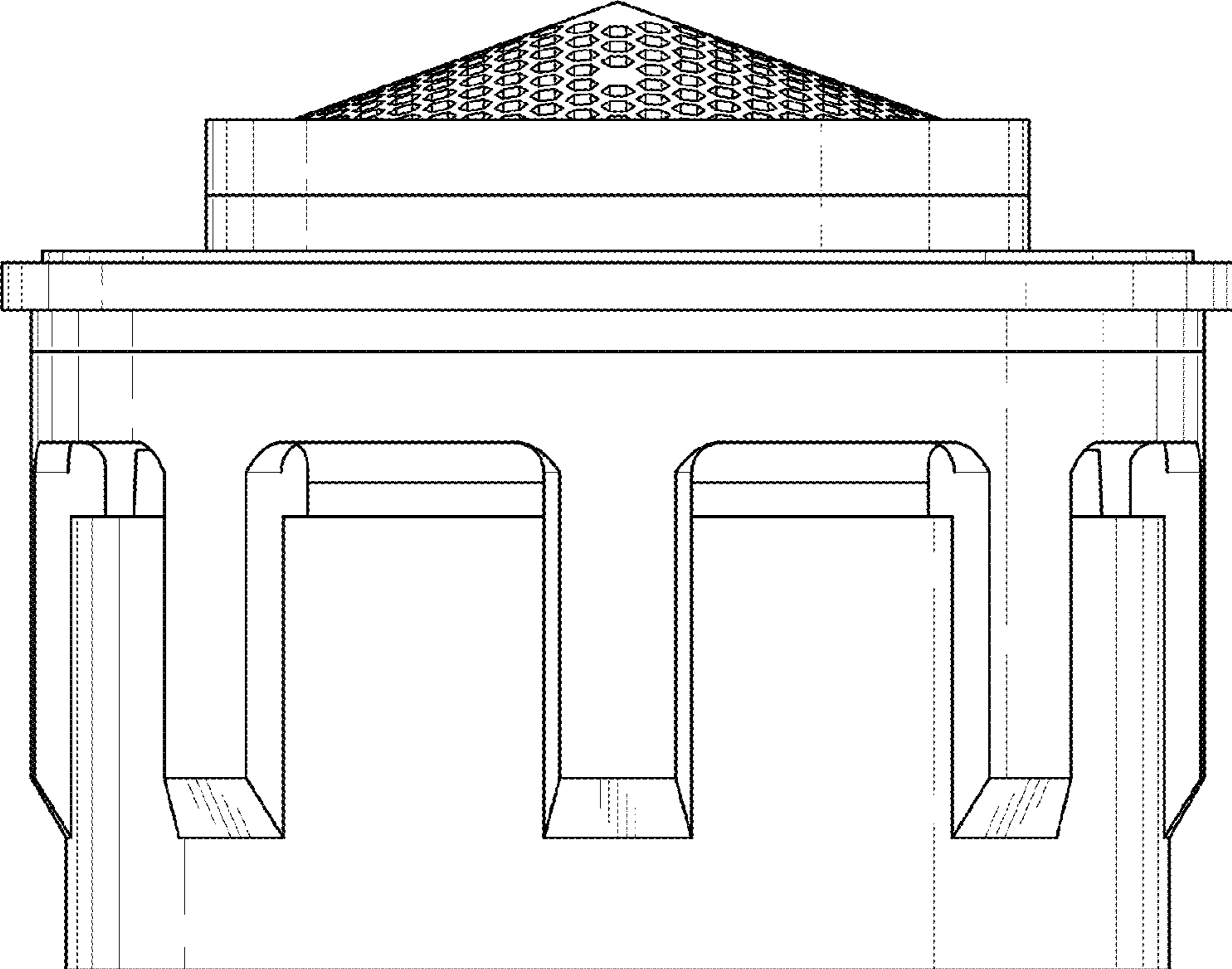


Fig. 5