



US00D752707S

(12) **United States Design Patent**  
**Huda et al.**

(10) **Patent No.:** **US D752,707 S**  
(45) **Date of Patent:** **\*\* Mar. 29, 2016**

- (54) **FILTER CARTRIDGE WITH HANDLE END**
- (71) Applicant: **KX Technologies LLC**, West Haven, CT (US)
- (72) Inventors: **Stephen P. Huda**, Shelton, CT (US);  
**Erik R. Klimpel**, Woodbury, MN (US);  
**Michael J. Sherman**, Woodbury, MN (US)
- (73) Assignee: **KX Technologies LLC**, West Haven, CT (US)

D455,814 S	4/2002	Magnusson et al.	
6,632,355 B2	10/2003	Fritze	
6,984,319 B2 *	1/2006	Merritt .....	B01D 29/15 123/196 A
7,459,078 B2 *	12/2008	Klein .....	B01D 29/96 210/234
7,708,148 B2	5/2010	Fritze	
8,066,790 B2 *	11/2011	Hutchinson .....	B01D 29/111 210/457
8,097,158 B2 *	1/2012	Tubby .....	B01D 27/08 137/625.46
8,216,463 B1	7/2012	Baird	
8,261,919 B2 *	9/2012	Burr .....	B01D 65/00 210/321.87

- (\*\*) Term: **14 Years**
- (21) Appl. No.: **29/502,971**
- (22) Filed: **Sep. 22, 2014**

\* cited by examiner

*Primary Examiner* — Robin V Webster  
(74) *Attorney, Agent, or Firm* — Robert Curcio; DeLio, Peterson & Curcio, LLC

**Related U.S. Application Data**

- (63) Continuation-in-part of application No. 13/907,200, filed on May 31, 2013.
- (51) **LOC (10) Cl.** ..... **23-01**
- (52) **U.S. Cl.**  
USPC ..... **D23/209**
- (58) **Field of Classification Search**  
USPC ..... D23/207, 209, 262, 259, 265; 210/232, 210/234, 236, 418, 493.2; D8/382; 285/360, 361  
CPC ..... B01D 2201/291; B01D 2201/293; B01D 2201/296; B01D 2201/298; B01D 2201/301–2201/306; B01D 35/153; B01D 35/157; B01D 35/30; B01D 29/111  
See application file for complete search history.

(57) **CLAIM**

We claim the ornamental design for a “filter cartridge with handle end”, as shown and described.

**DESCRIPTION**

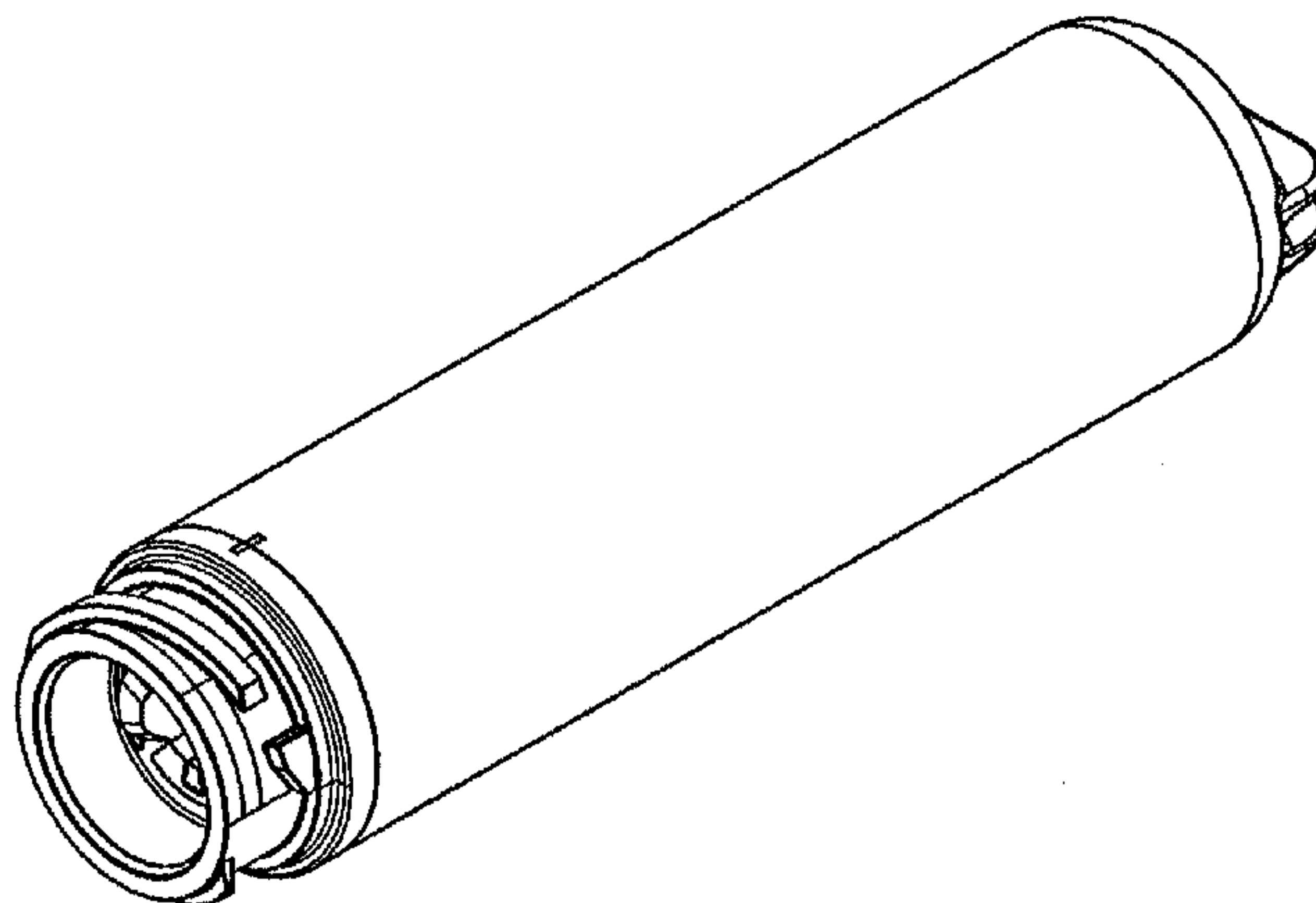
FIG. 1 is a front view of a first filter cartridge with handle end according to the present invention;  
FIG. 2 is a back view of the first filter cartridge with handle end according to the present invention;  
FIG. 3 is a left-side view of the first filter cartridge with handle end according to the present invention;  
FIG. 4 is a right-side view of the first filter cartridge with handle end according to the present invention;  
FIG. 5 is a top view of the second filter cartridge with handle end according to the present invention;  
FIG. 6 is a bottom view of the second filter cartridge with handle end according to the present invention;  
FIG. 7 is a downward perspective view of the second filter cartridge with handle end according to the present invention; and,  
FIG. 8 is an upward perspective view of the second filter cartridge with handle end according to the present invention, rotated 90° with respect to the orientation of FIG. 7.

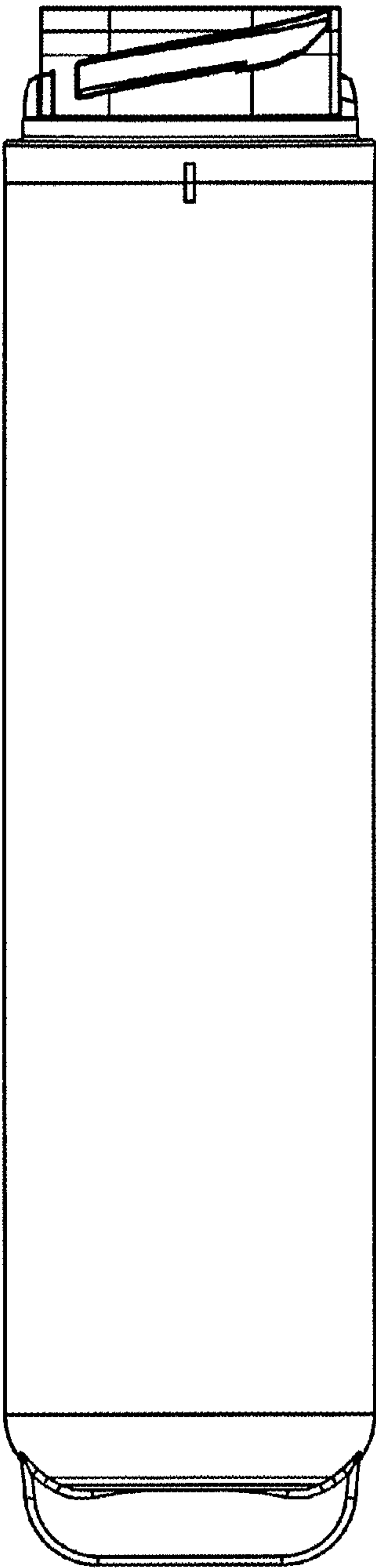
(56) **References Cited**

**U.S. PATENT DOCUMENTS**

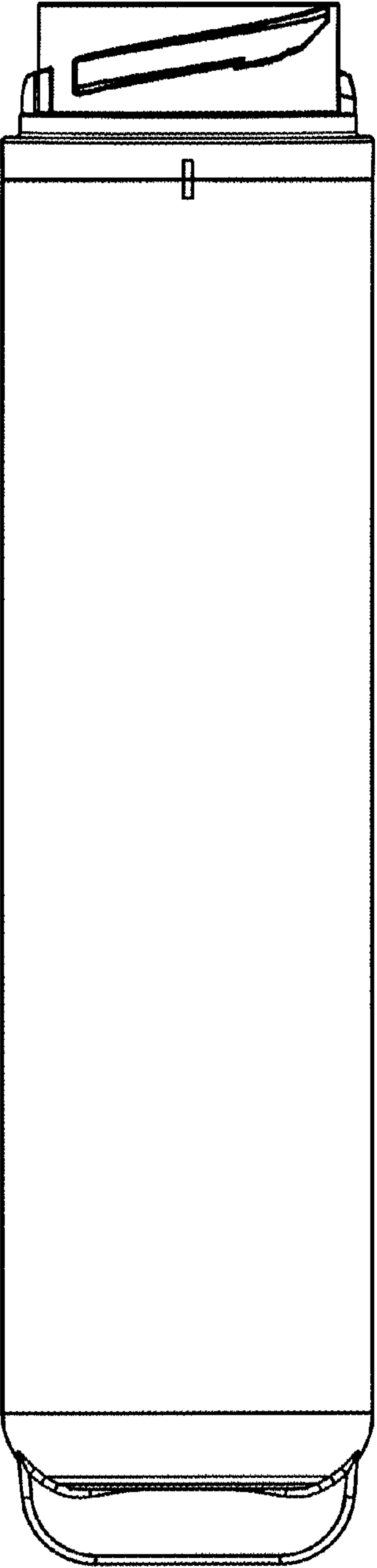
5,045,192 A *	9/1991	Terhune .....	B01D 29/15 210/232
5,753,107 A	5/1998	Magnusson et al.	
6,027,644 A	2/2000	Magnusson et al.	
6,193,884 B1	2/2001	Magnusson et al.	

**1 Claim, 3 Drawing Sheets**





**FIG. 1**



**FIG. 2**

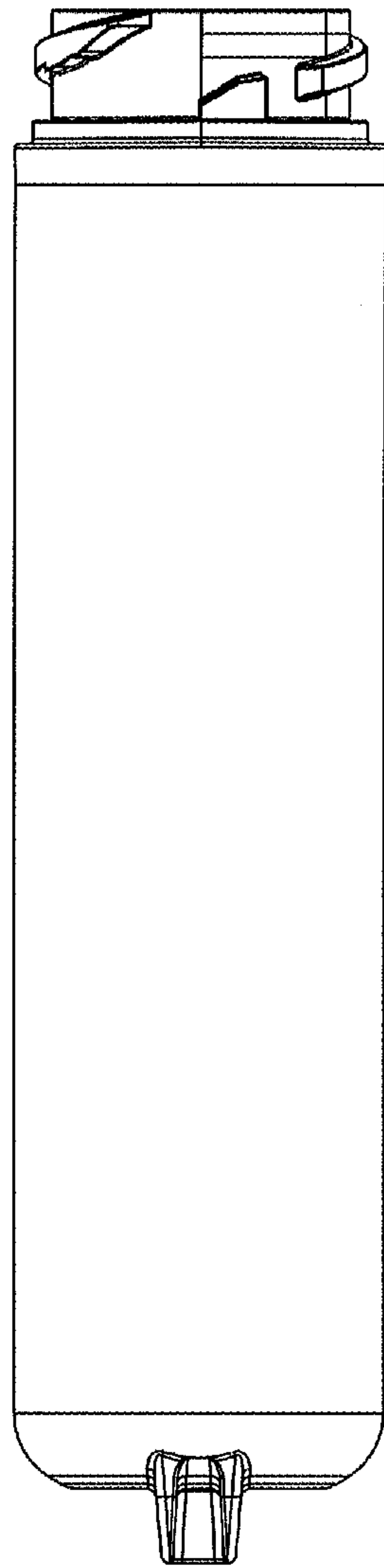


FIG. 3

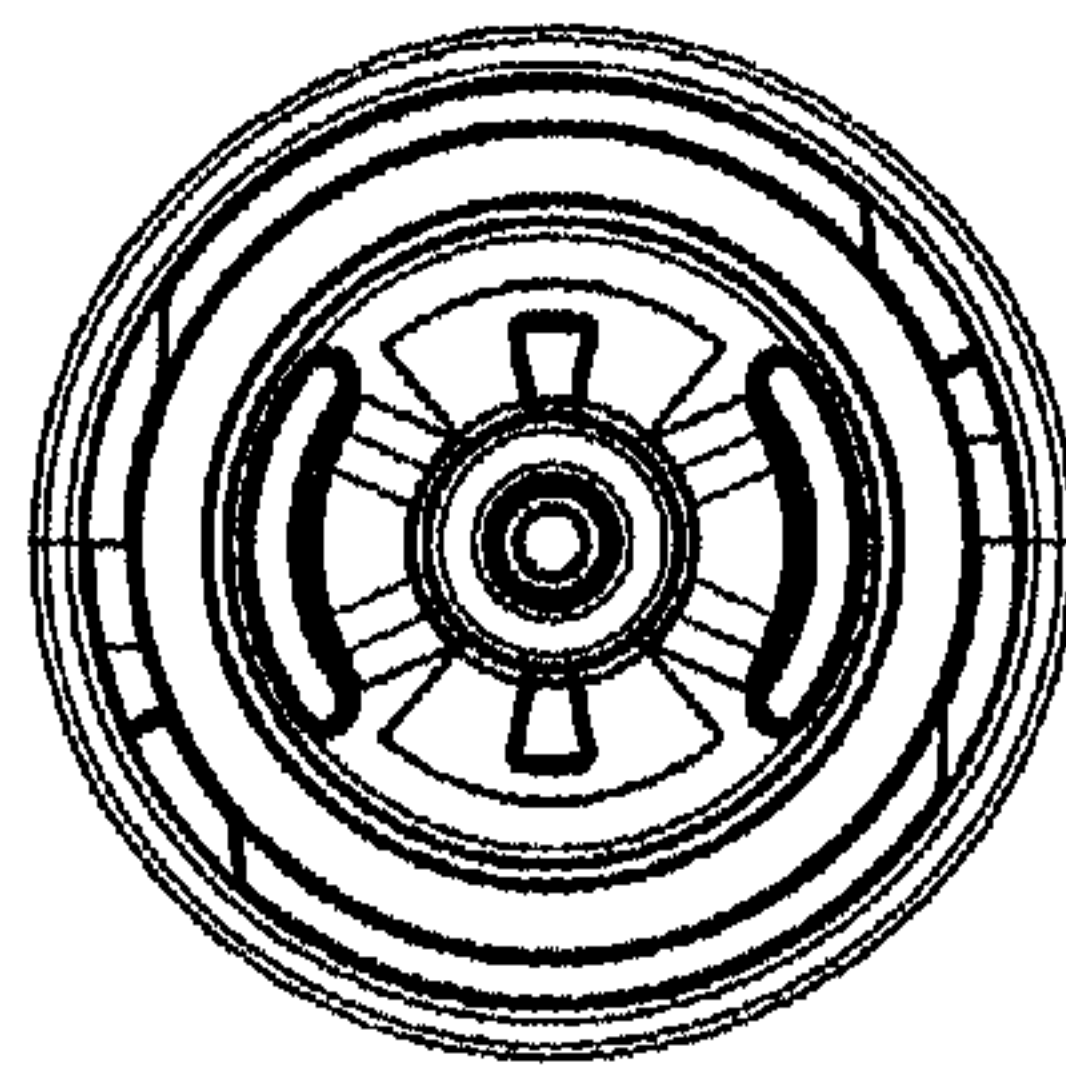


FIG. 5

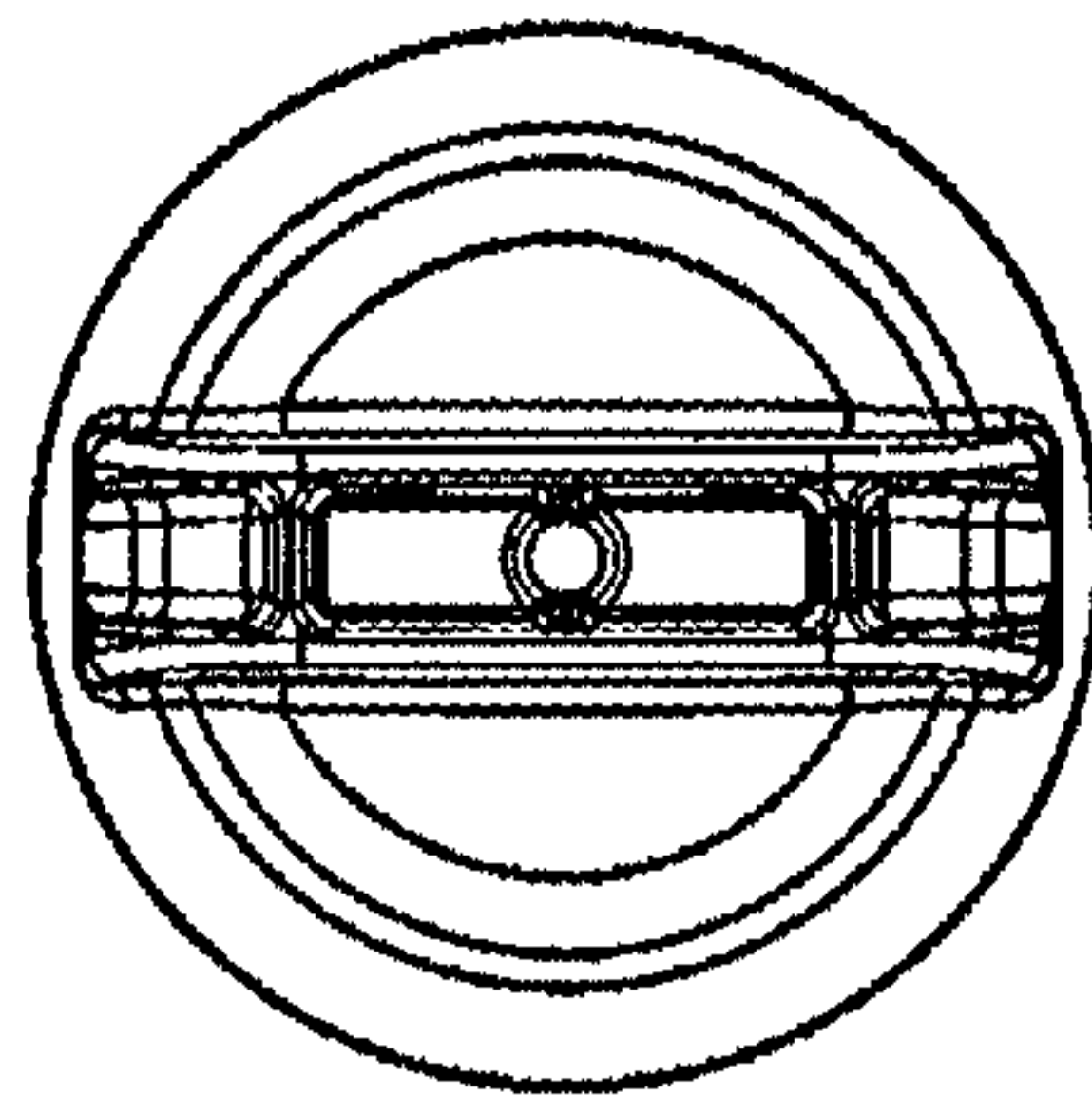


FIG. 6

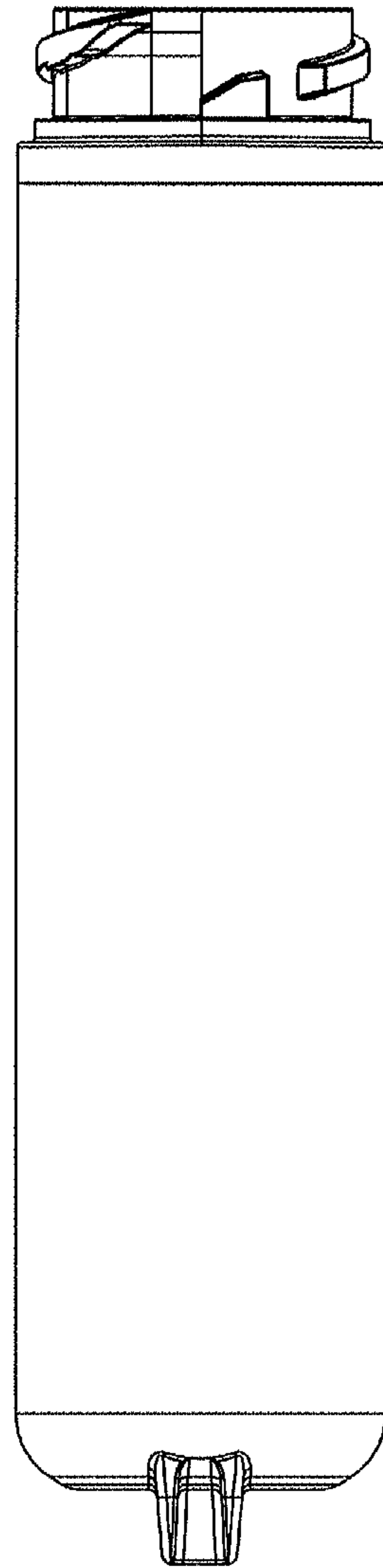
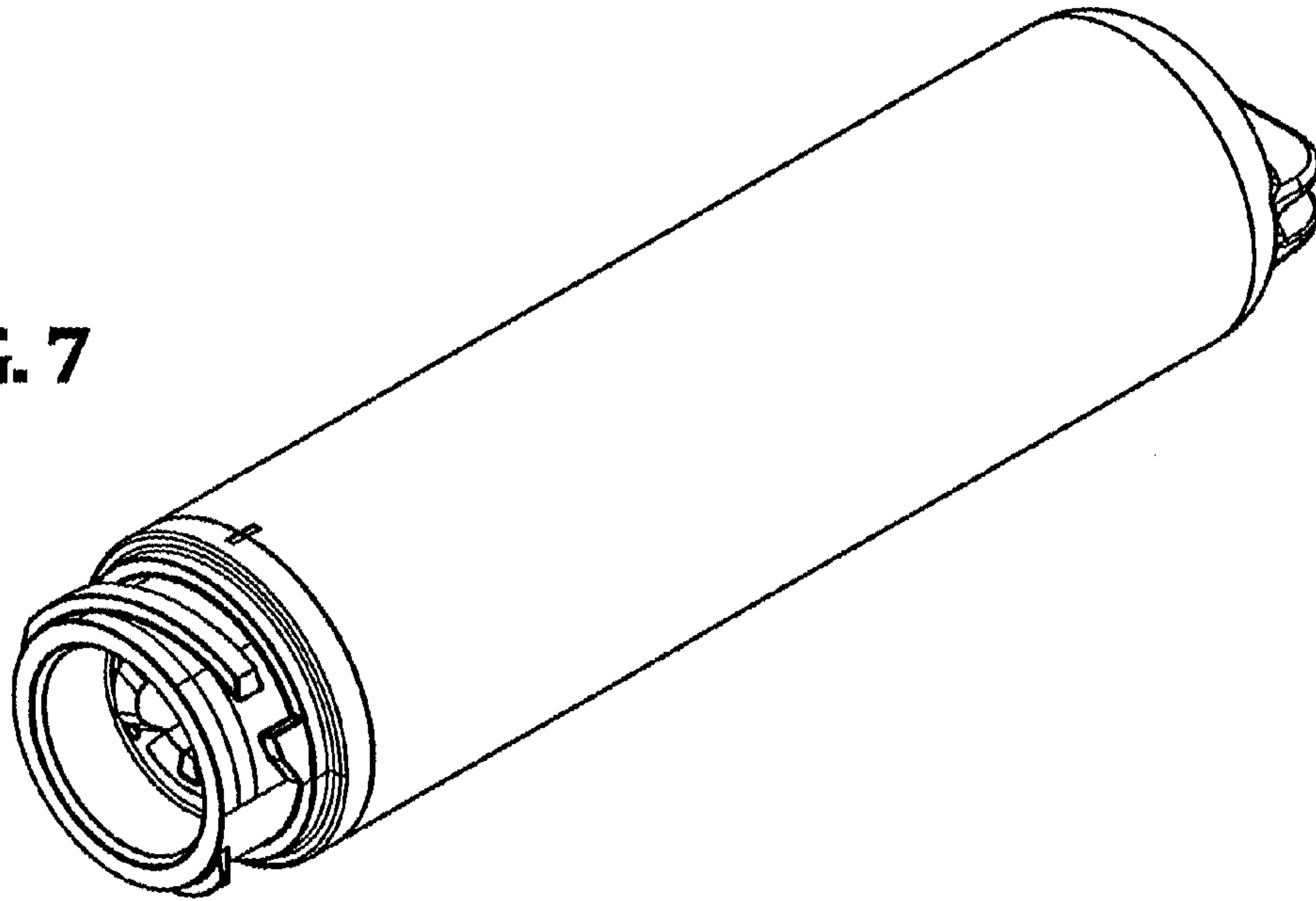


FIG. 4

**FIG. 7**



**FIG. 8**

