



US00D752703S

(12) **United States Design Patent**
Arnedo Vera et al.

(10) **Patent No.:** **US D752,703 S**
(45) **Date of Patent:** **** Mar. 29, 2016**

- (54) **BULLET**
- (71) Applicant: **GAMO OUTDOOR, S.L.**, Sant Boi de Llobregat (ES)
- (72) Inventors: **Julian Arnedo Vera**, Sant Boi de Llobregat (ES); **Victor Tresserras Torre**, San Boi de Llobregat (ES)
- (73) Assignee: **GAMO OUTDOOR, S.L.**, Saint Boi de Llobregat (Barcelona) (ES)
- (**) Term: **14 Years**
- (21) Appl. No.: **29/496,258**
- (22) Filed: **Jul. 10, 2014**

- (30) **Foreign Application Priority Data**
- Jan. 10, 2014 (EM) 002382937-0003
- Jan. 10, 2014 (EM) 002382937-0004

- (51) **LOC (10) Cl.** **22-16**
- (52) **U.S. Cl.**
- USPC **D22/116**

- (58) **Field of Classification Search**
- USPC D22/115-116; 102/346, 430, 439, 448, 102/458, 460, 464-468, 471, 501, 506, 508, 102/514, 517, 521; 86/10, 19.5, 23, 25, 86/46-48, 54-55; 473/569
- CPC F42B 6/10
- See application file for complete search history.

- (56) **References Cited**
- U.S. PATENT DOCUMENTS**
- 2,982,550 A * 5/1961 Francis F42B 6/10
102/526
- 4,251,079 A * 2/1981 Earl F42B 6/10
102/501
- 5,009,165 A * 4/1991 Morris F42B 12/40
102/501
- 5,471,719 A * 12/1995 Sawyers F42B 6/10
102/508
- 6,244,186 B1 * 6/2001 Pichard F42B 6/10
102/501
- 2007/0181029 A1 * 8/2007 Mcaninch F41B 11/00
102/430

- 2009/0217838 A1 * 9/2009 Salva F42B 33/001
102/508
- 2014/0216294 A1 * 8/2014 Tresserras Torre F42B 6/10
102/517

* cited by examiner

Primary Examiner — Michael A Pratt

(74) *Attorney, Agent, or Firm* — Knobbe Martens Olson & Bear LLP

(57) **CLAIM**

The ornamental design for bullet, as shown and described.

DESCRIPTION

FIG. 1 is a top perspective view of bullet showing our new design.

FIG. 2 is a right elevational view thereof.

FIG. 3 is a front elevational view thereof.

FIG. 4 is a left elevational view thereof.

FIG. 5 is a top plan view thereof.

FIG. 6 is a rear elevational view thereof.

FIG. 7 is a bottom plan view thereof.

FIG. 8 is a top perspective view of an embodiment of the bullet with indented band as unclaimed background detail.

FIG. 9 is a right elevational view thereof.

FIG. 10 is a front elevational view thereof.

FIG. 11 is a left elevational view thereof.

FIG. 12 is a top plan view thereof.

FIG. 13 is a rear elevational view thereof.

FIG. 14 is a bottom plan view thereof.

FIG. 15 is a top perspective view of an embodiment of the bullet with indented band.

FIG. 16 is a right elevational view thereof.

FIG. 17 is a front elevational view thereof.

FIG. 18 is a left elevational view thereof.

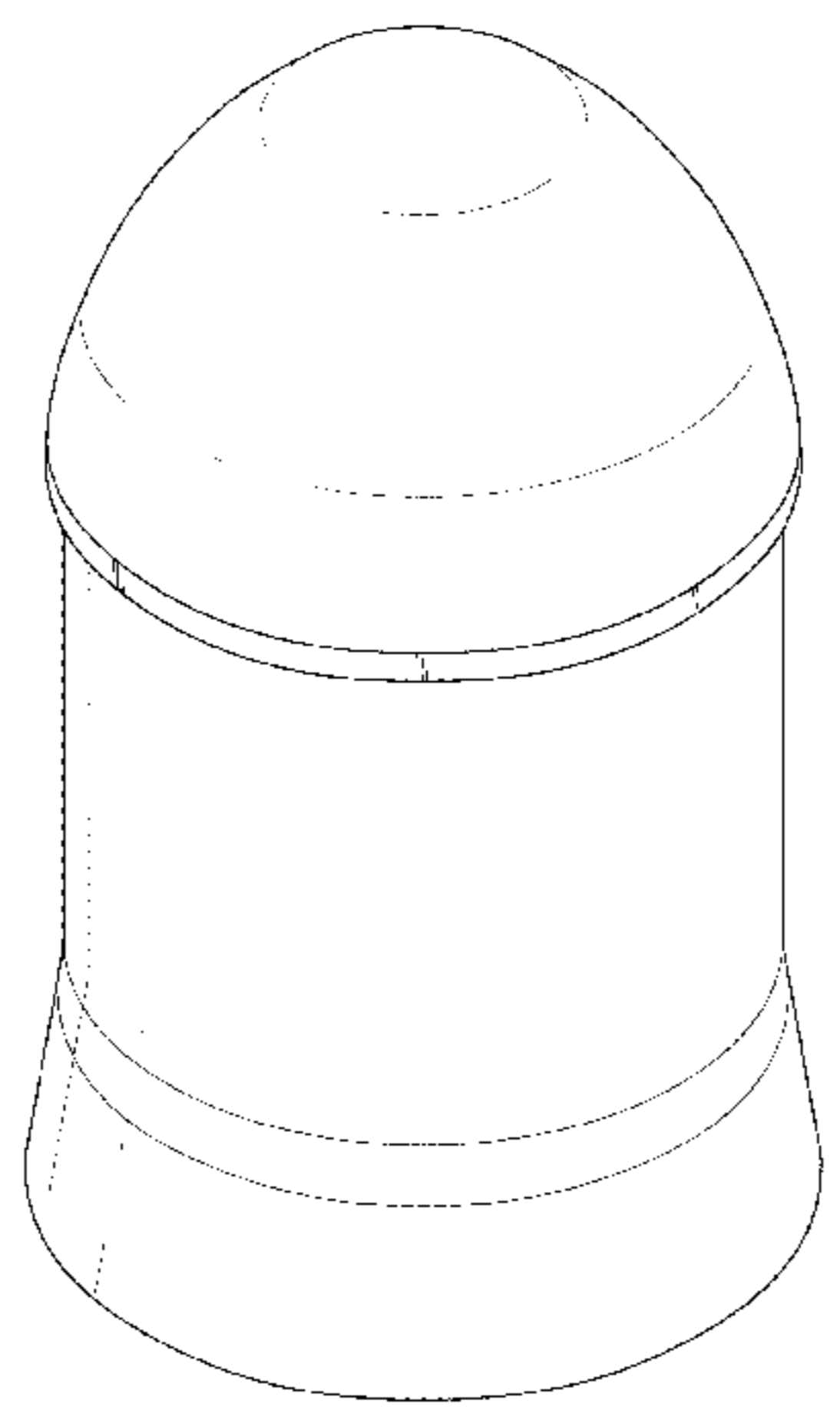
FIG. 19 is a top plan view thereof.

FIG. 20 is a rear elevational view thereof; and,

FIG. 21 is a bottom plan view thereof.

The broken line showing of aspects of the bullet is included for purpose of illustrating environment and forms no part of the claimed design.

1 Claim, 21 Drawing Sheets



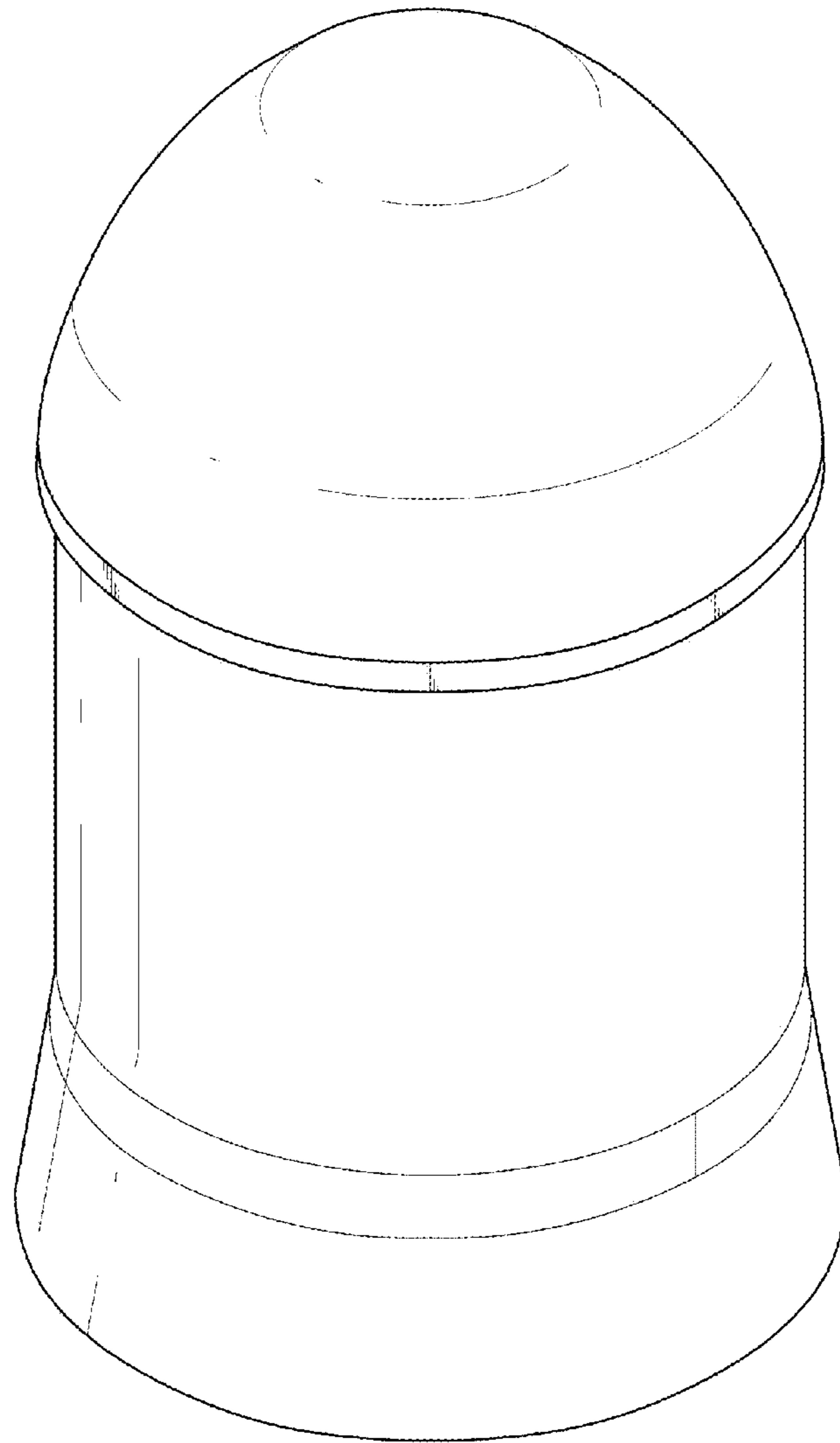


FIG. 1

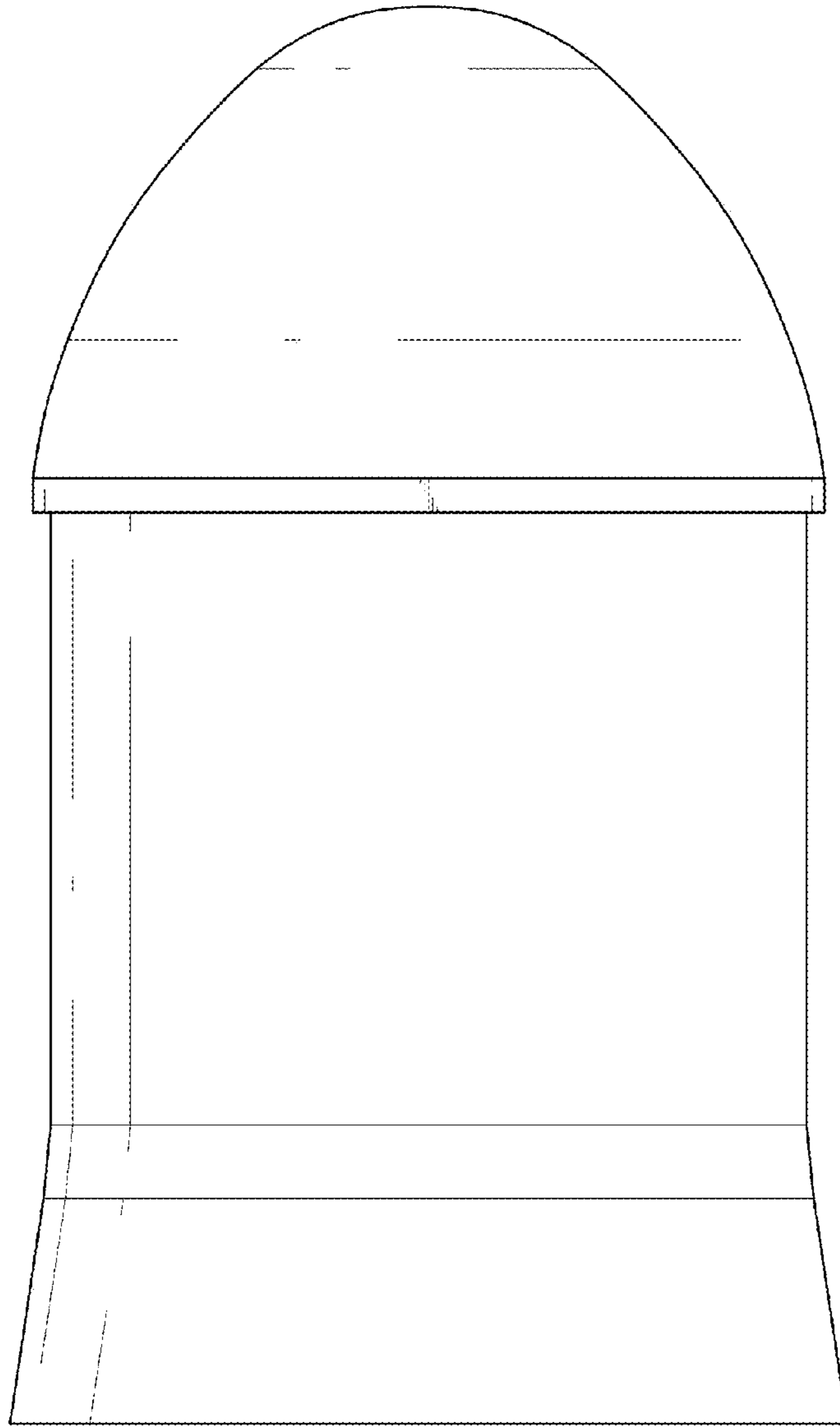


FIG. 2

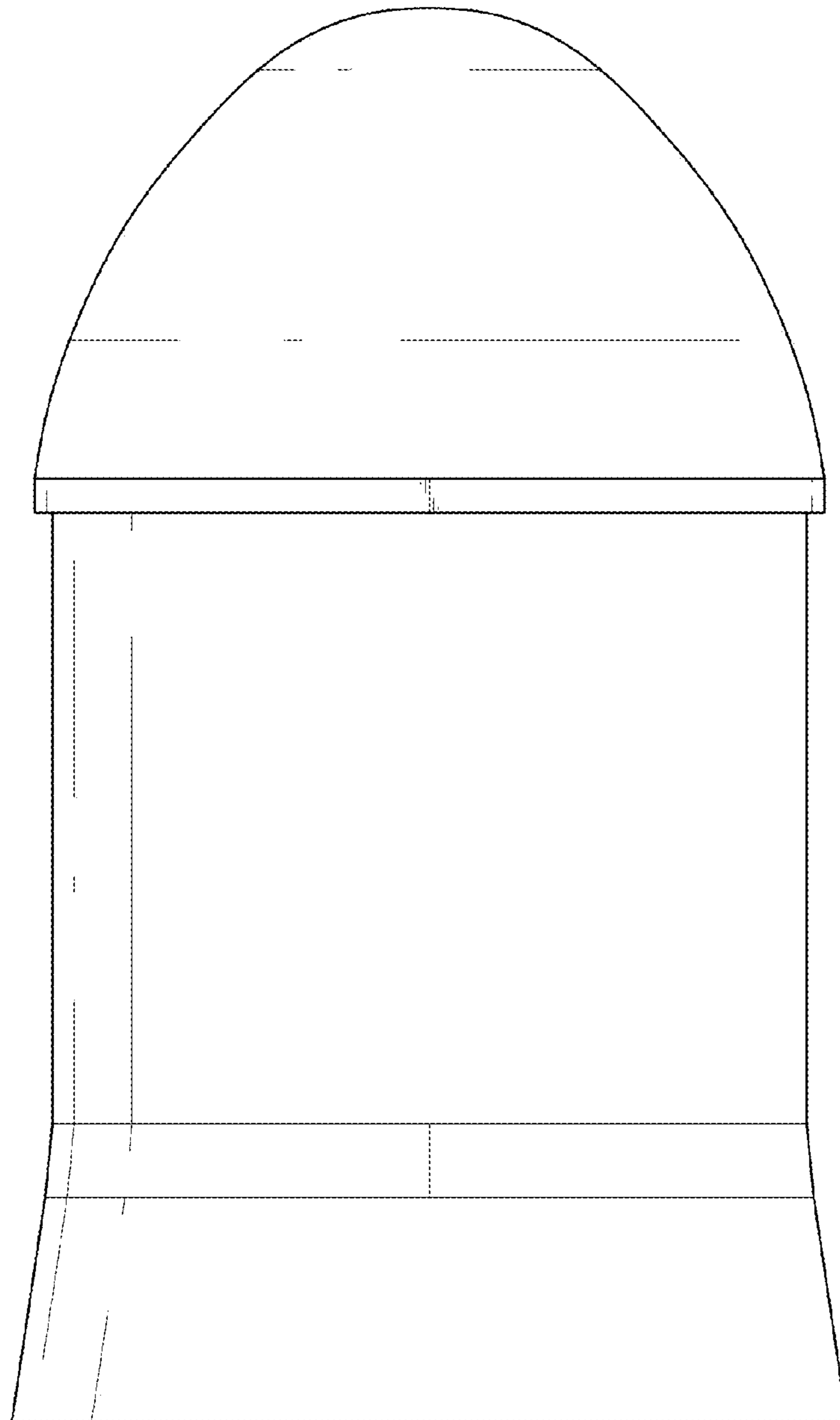


FIG. 3

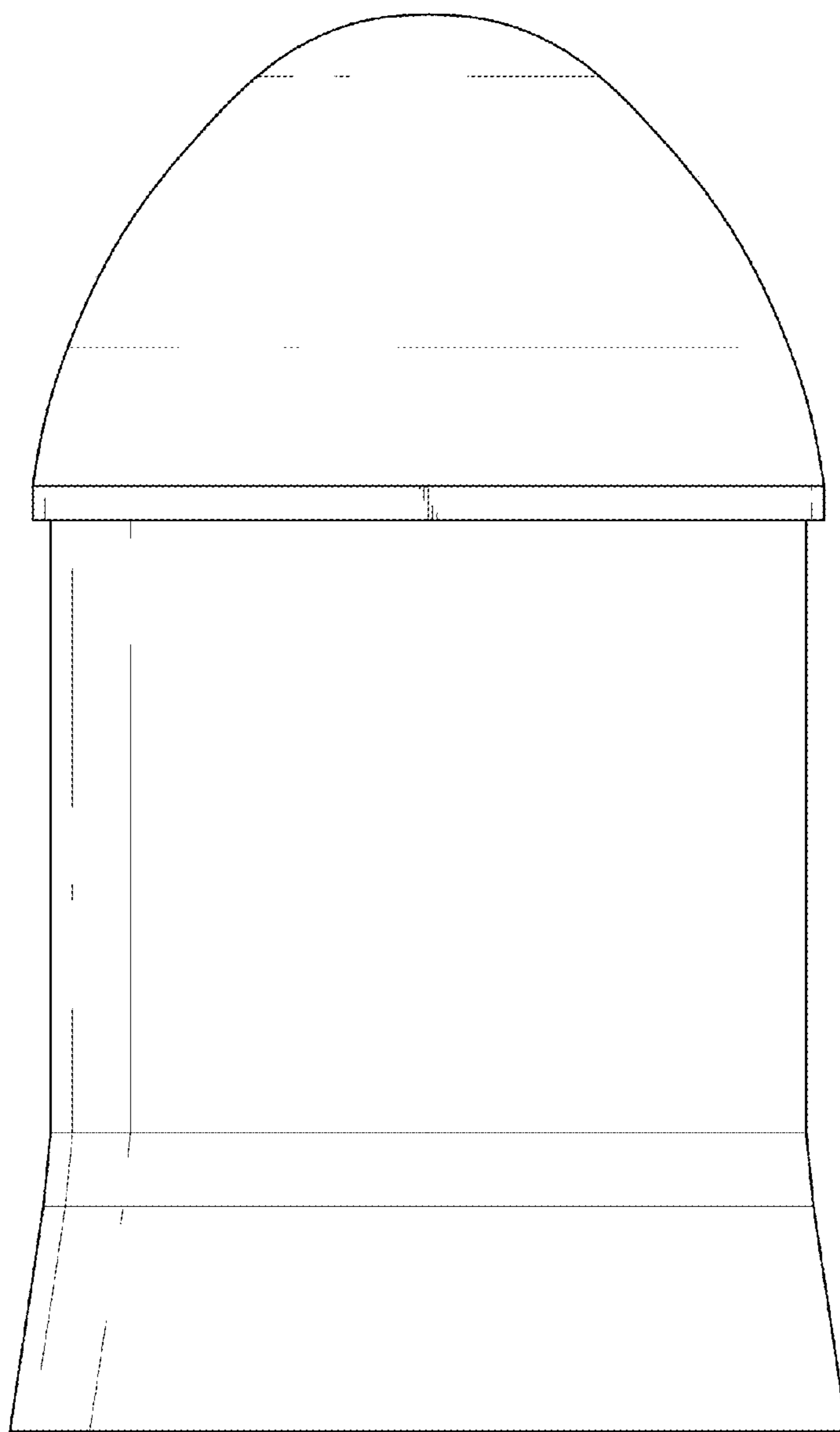


FIG. 4

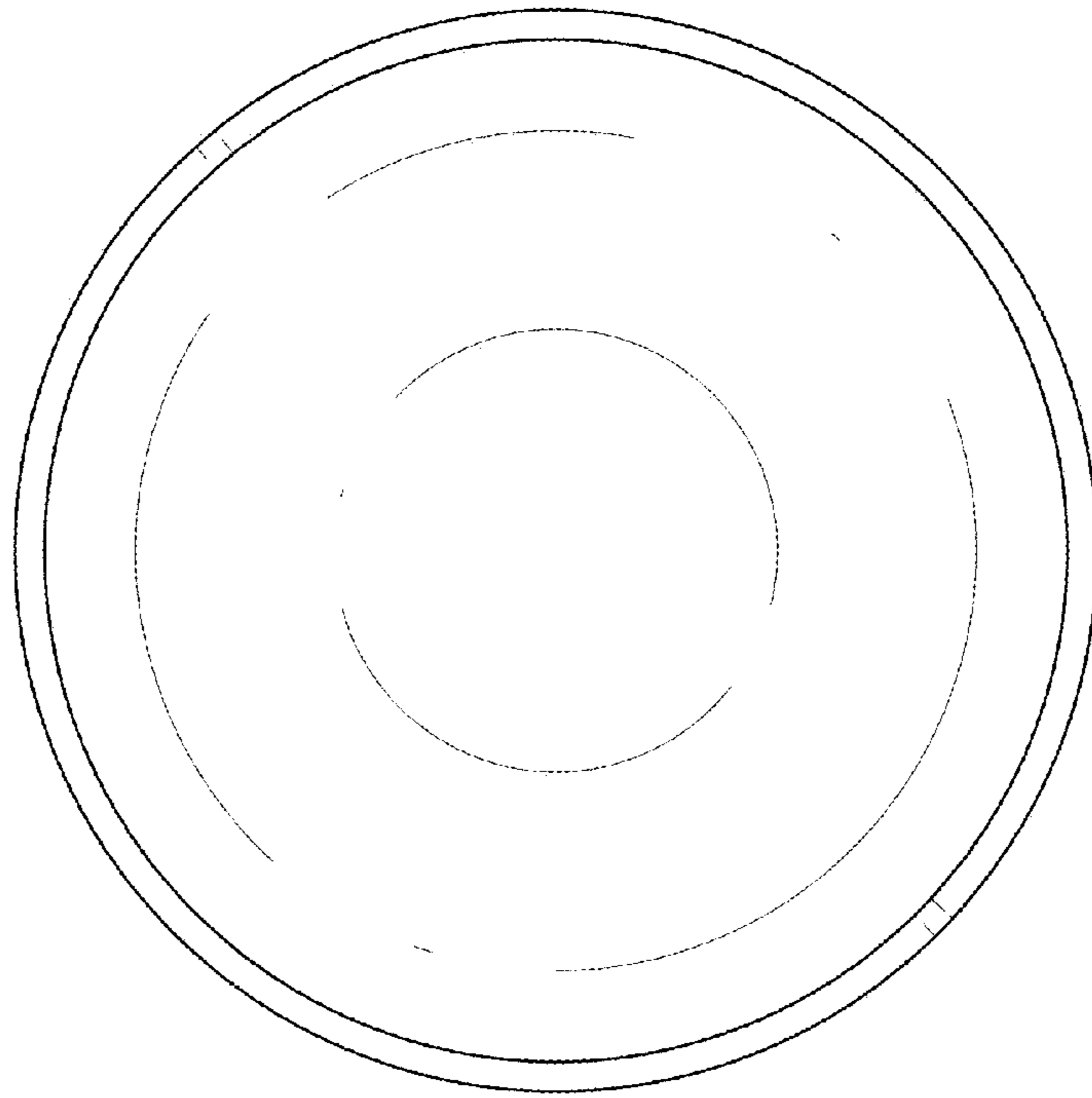


FIG. 5

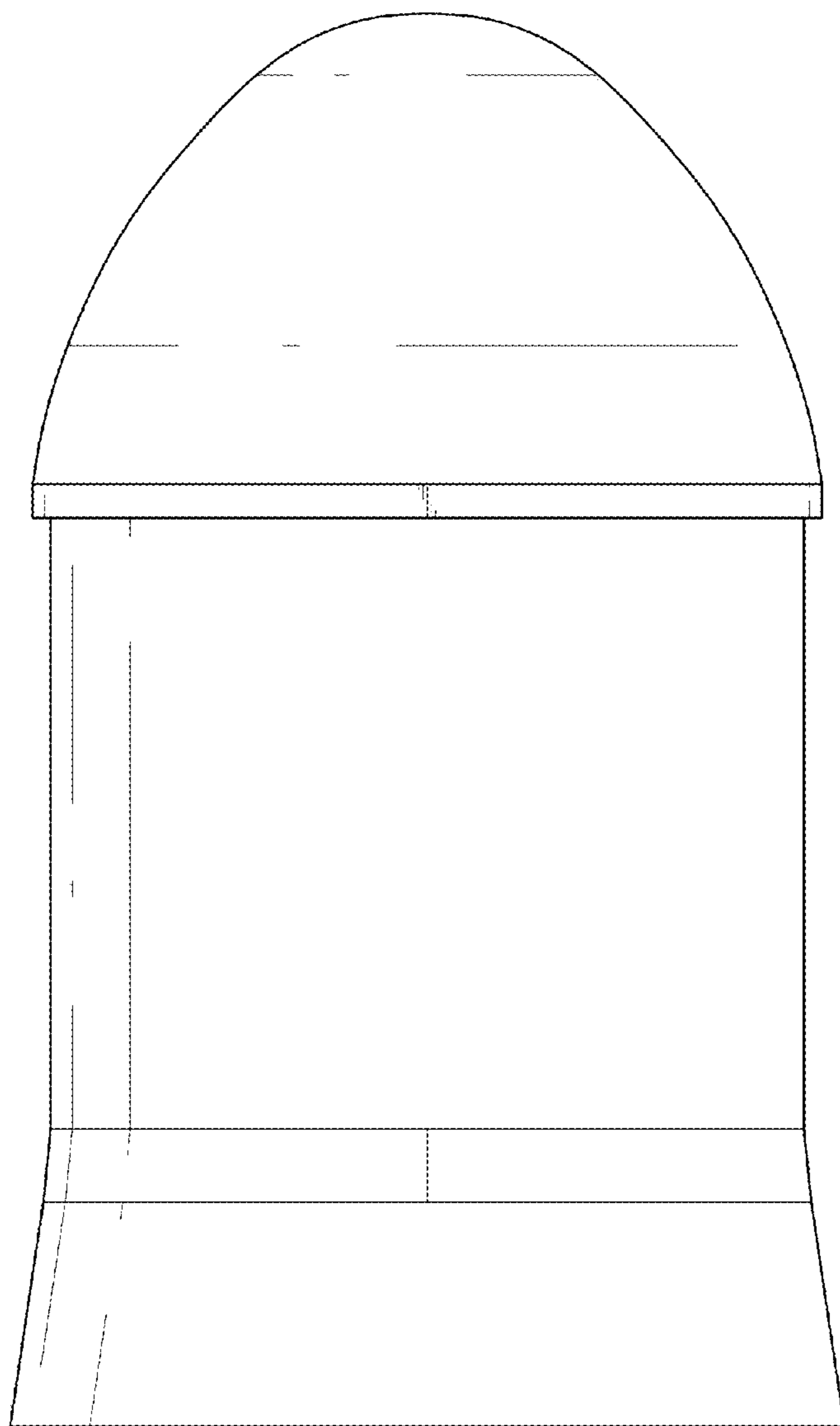


FIG. 6

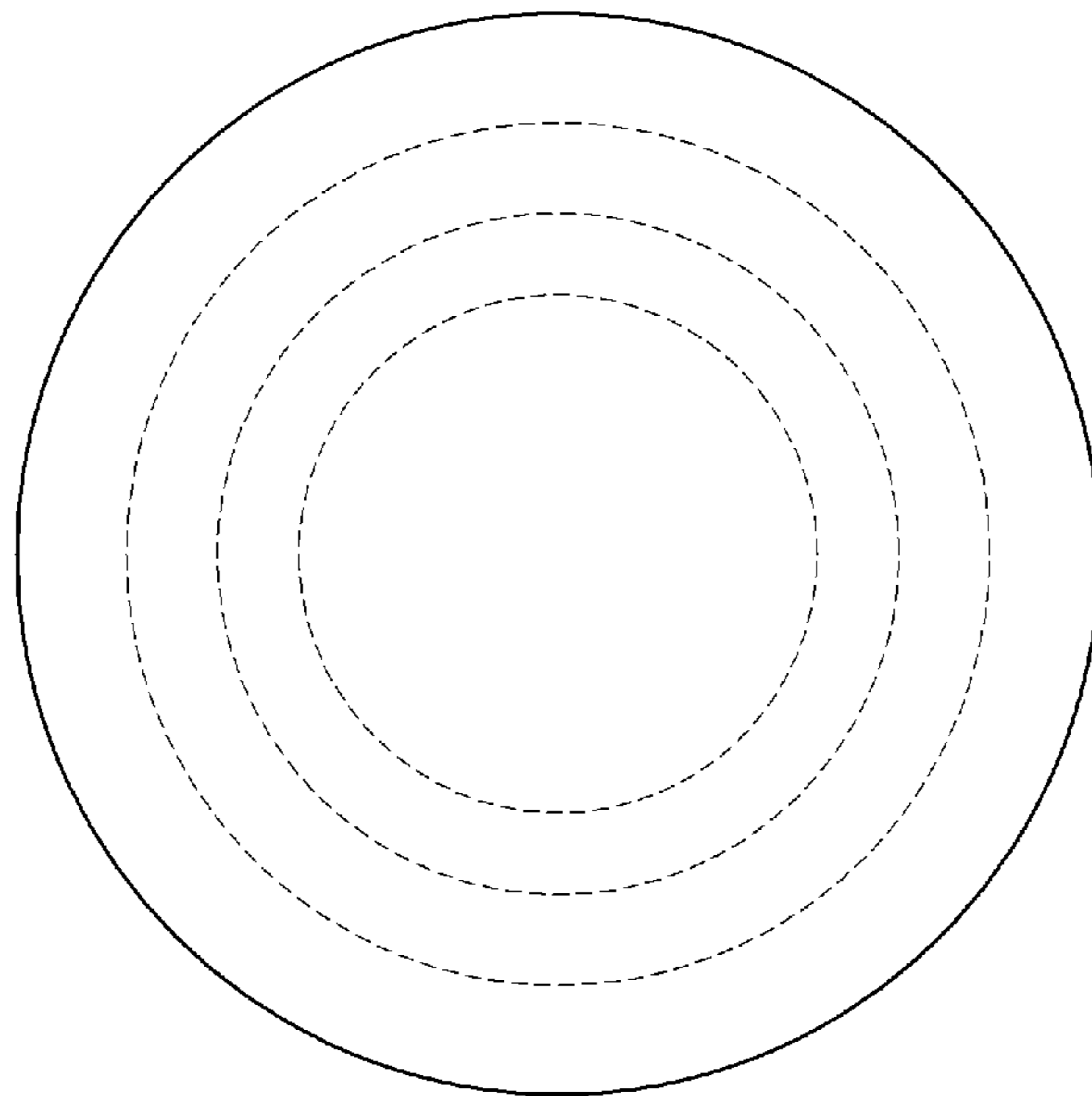


FIG. 7

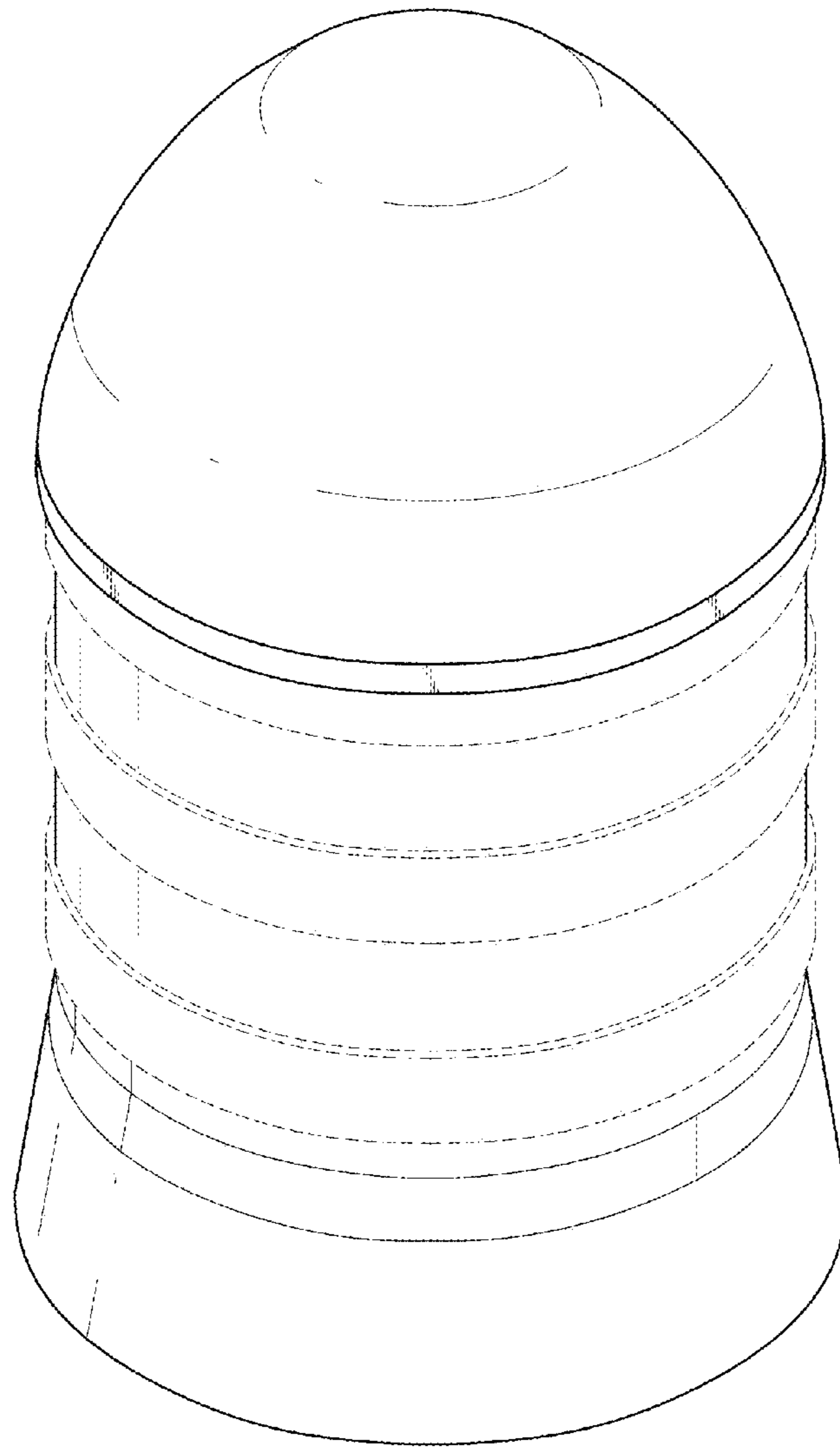


FIG. 8

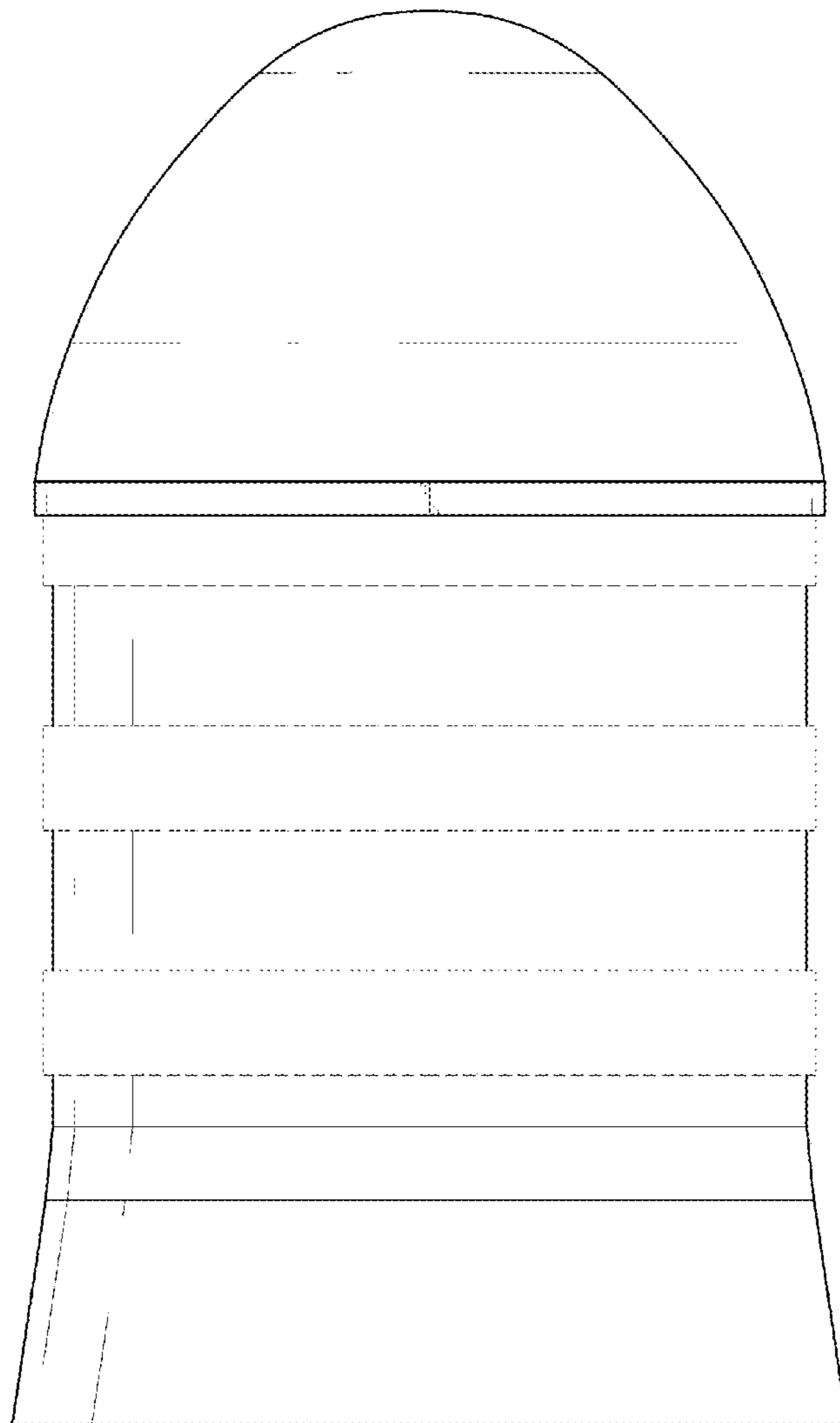


FIG. 9

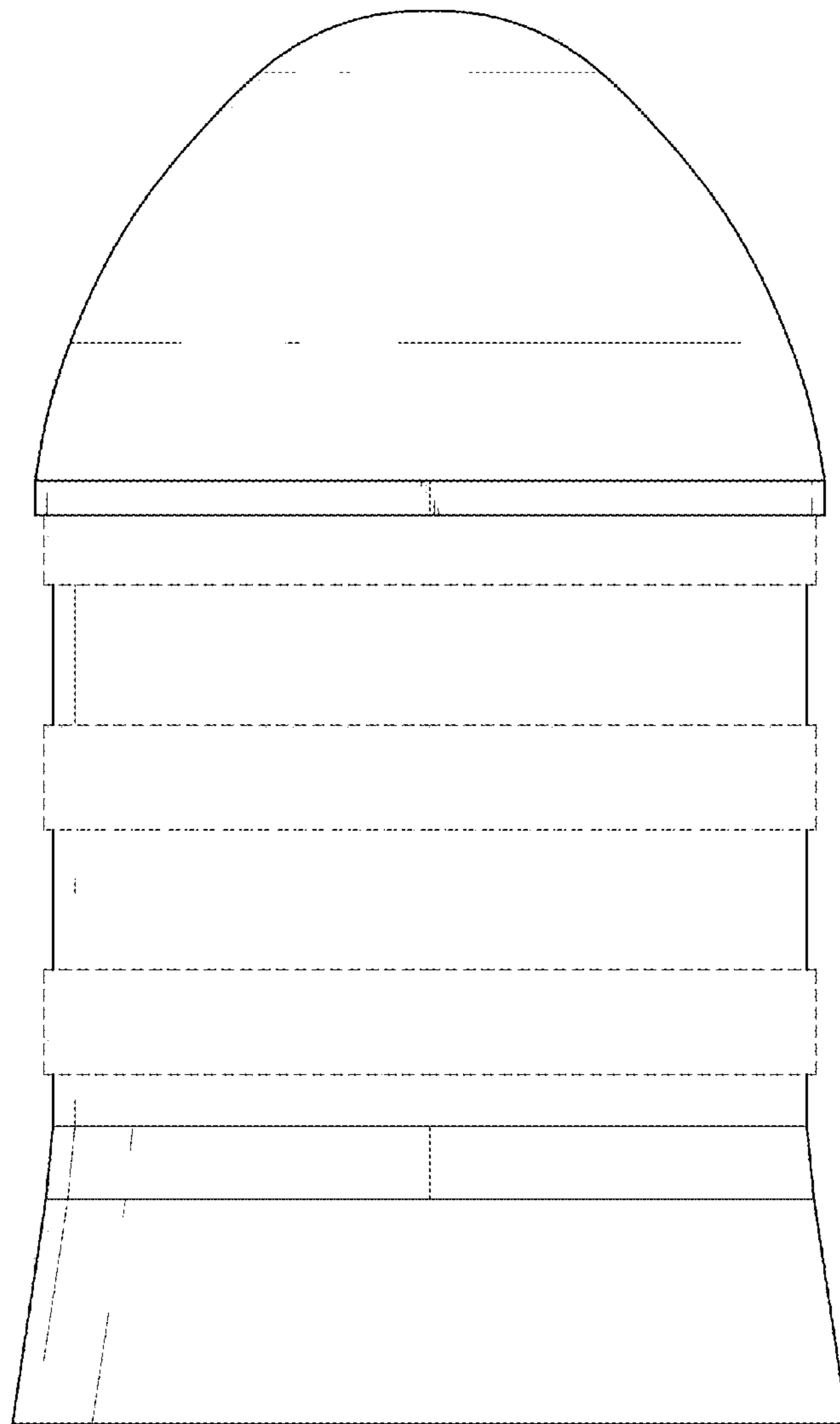


FIG. 10

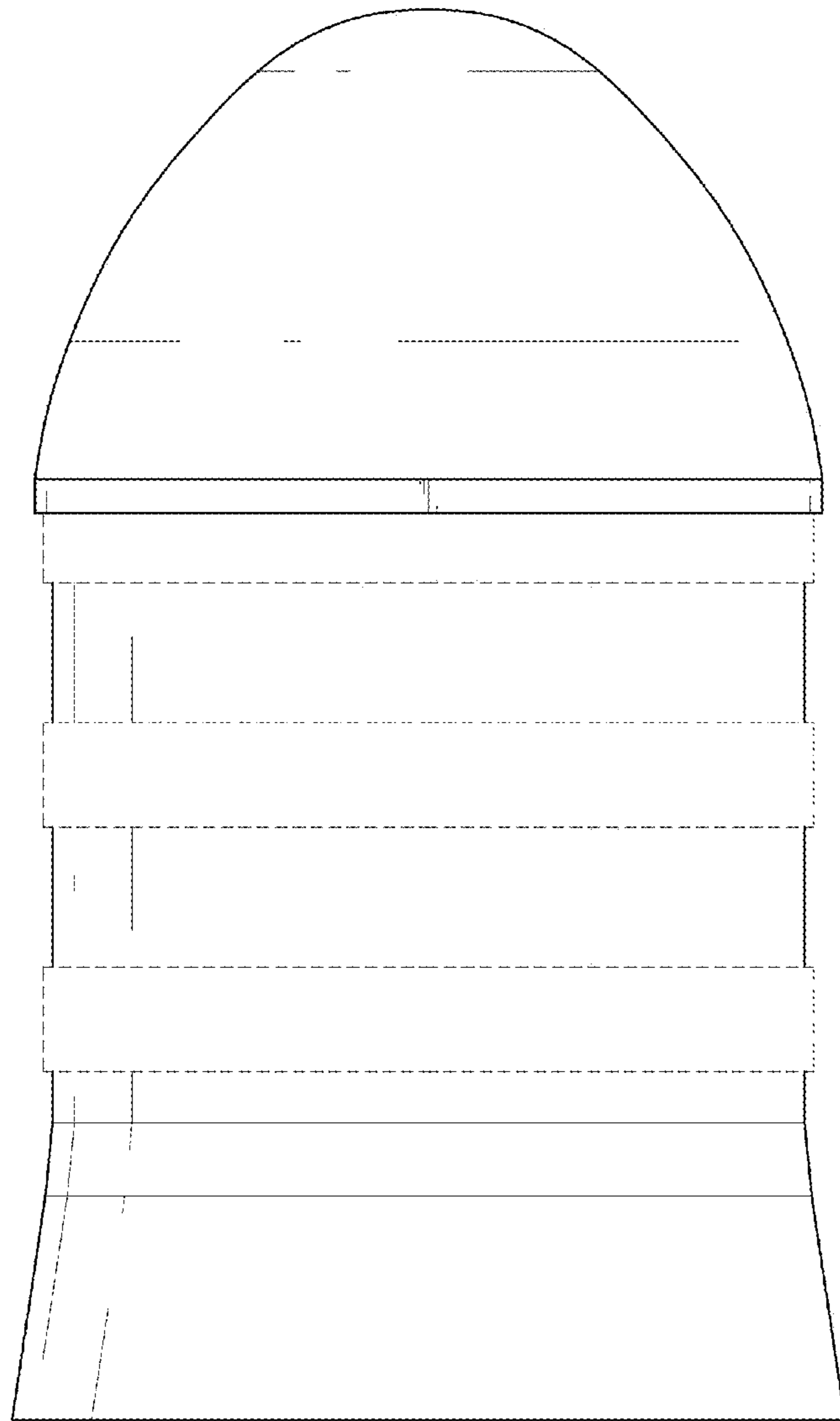


FIG. II

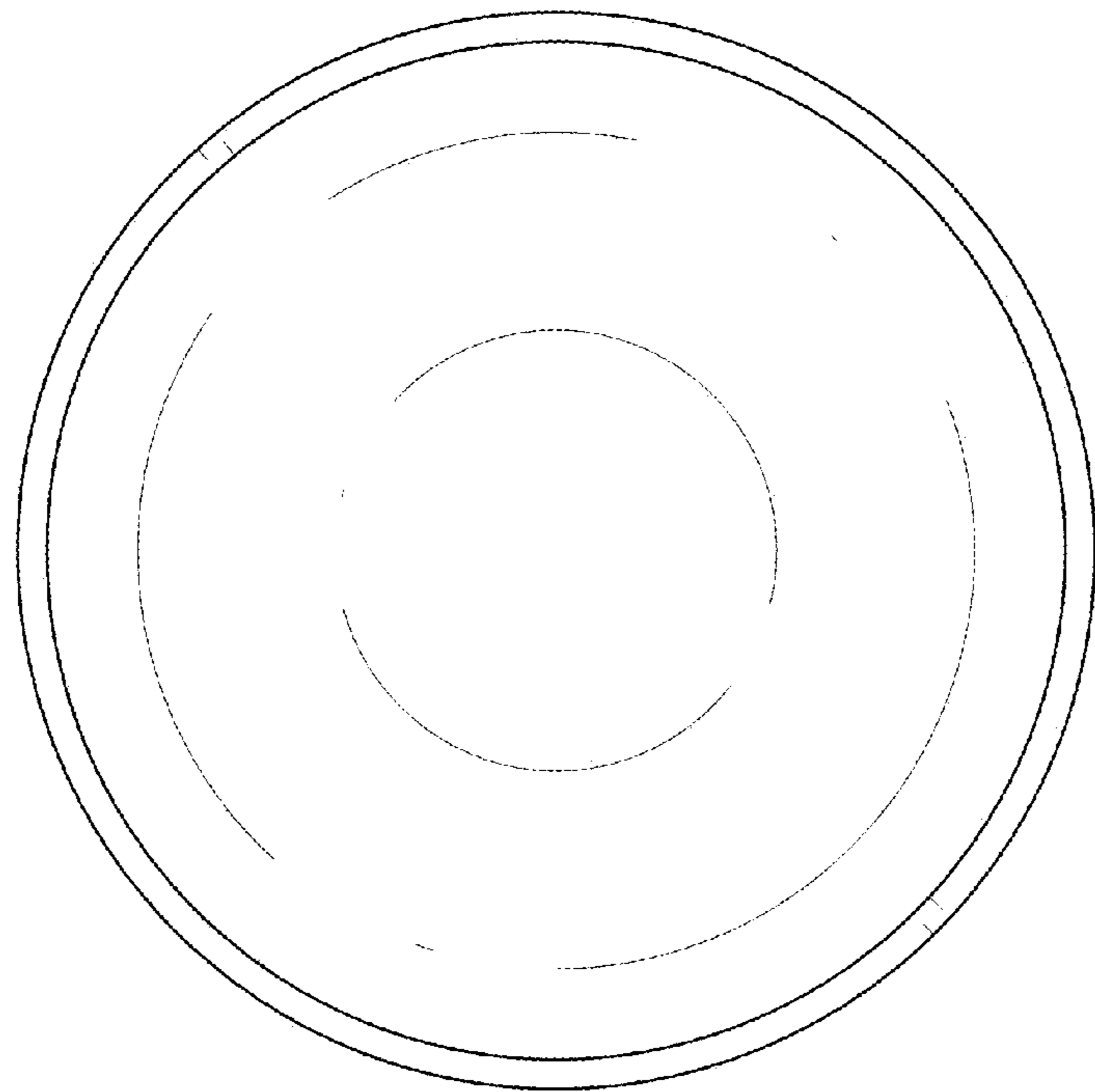


FIG. 12

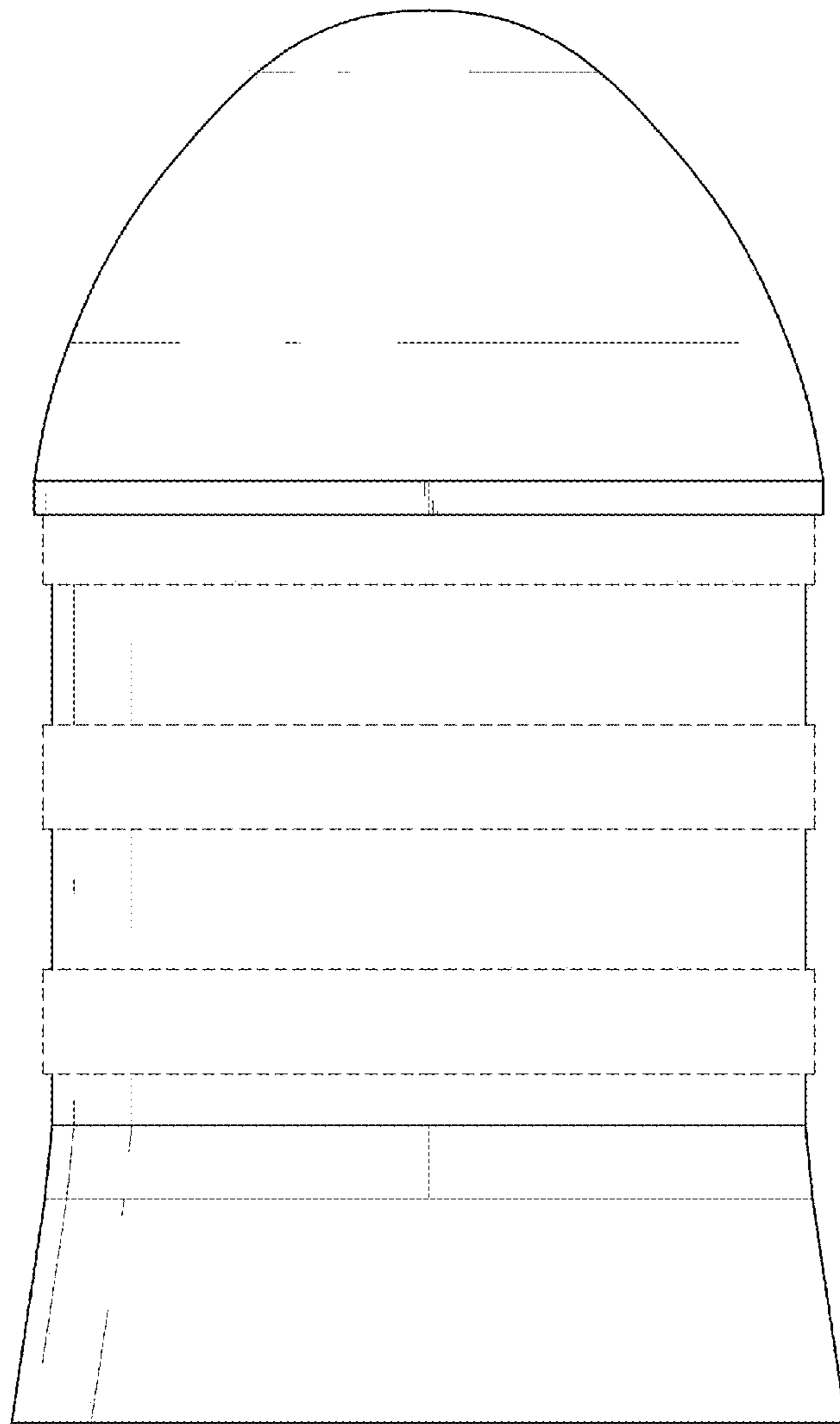


FIG. 13

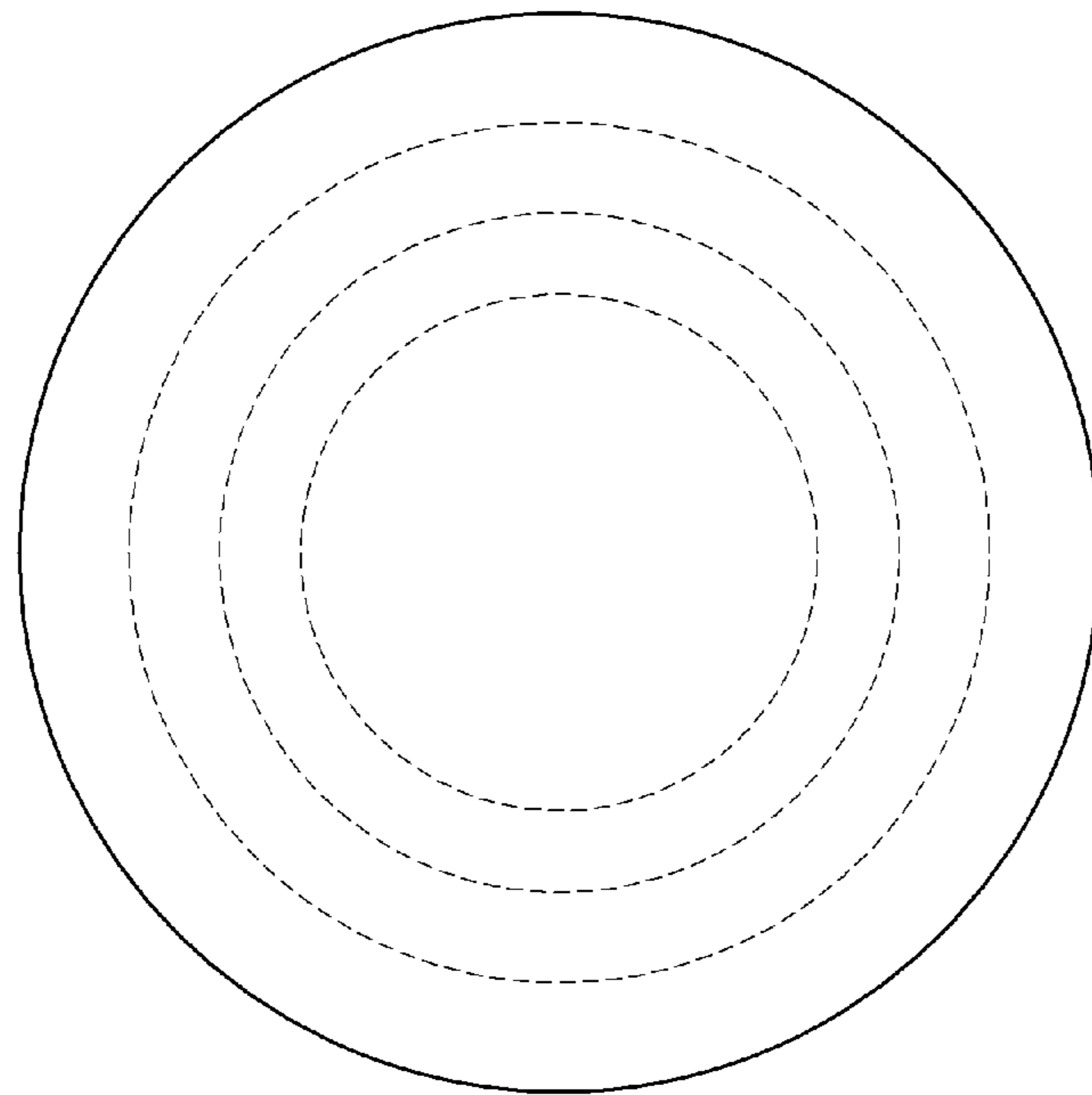


FIG. 14

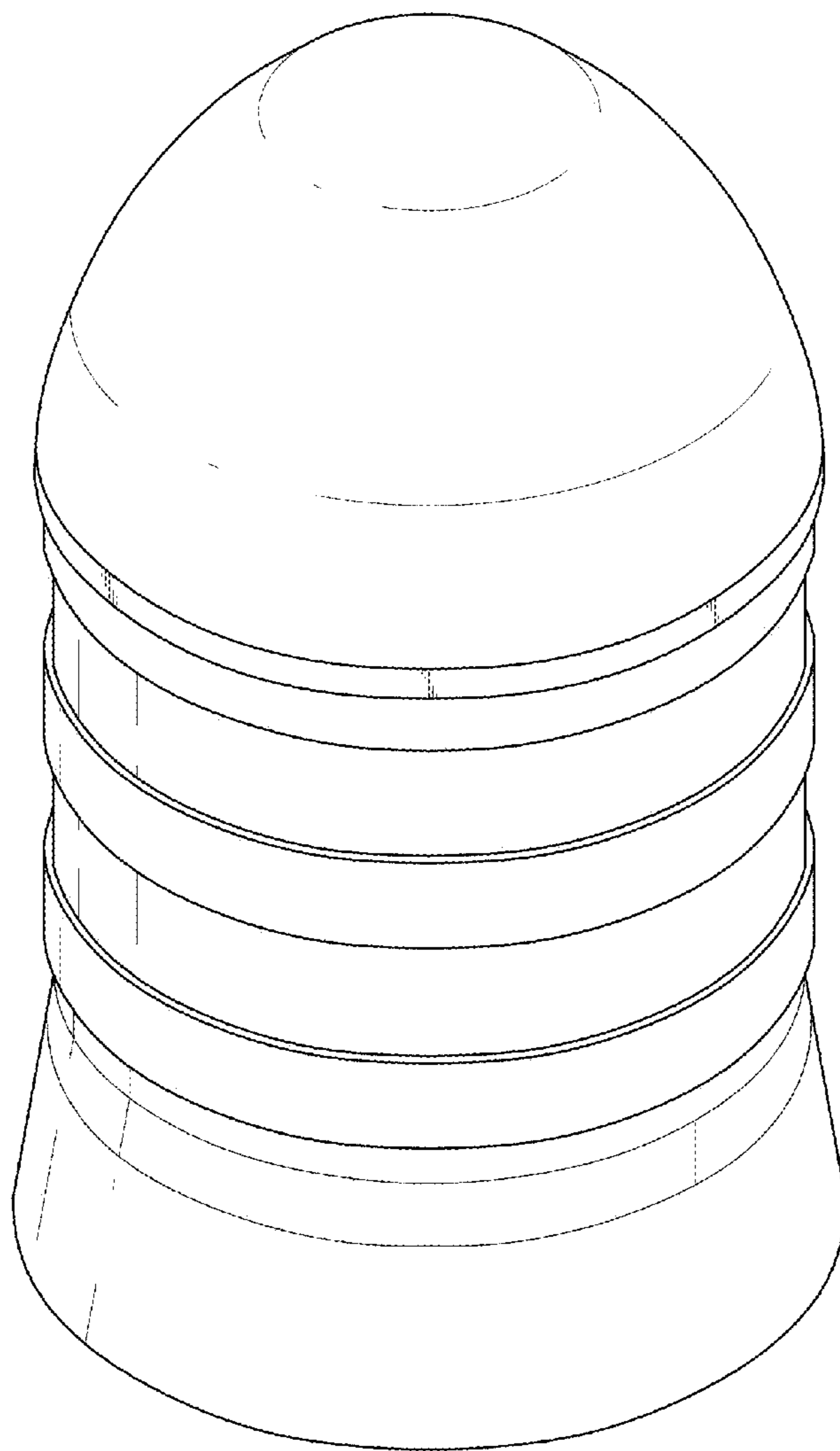


FIG. 15

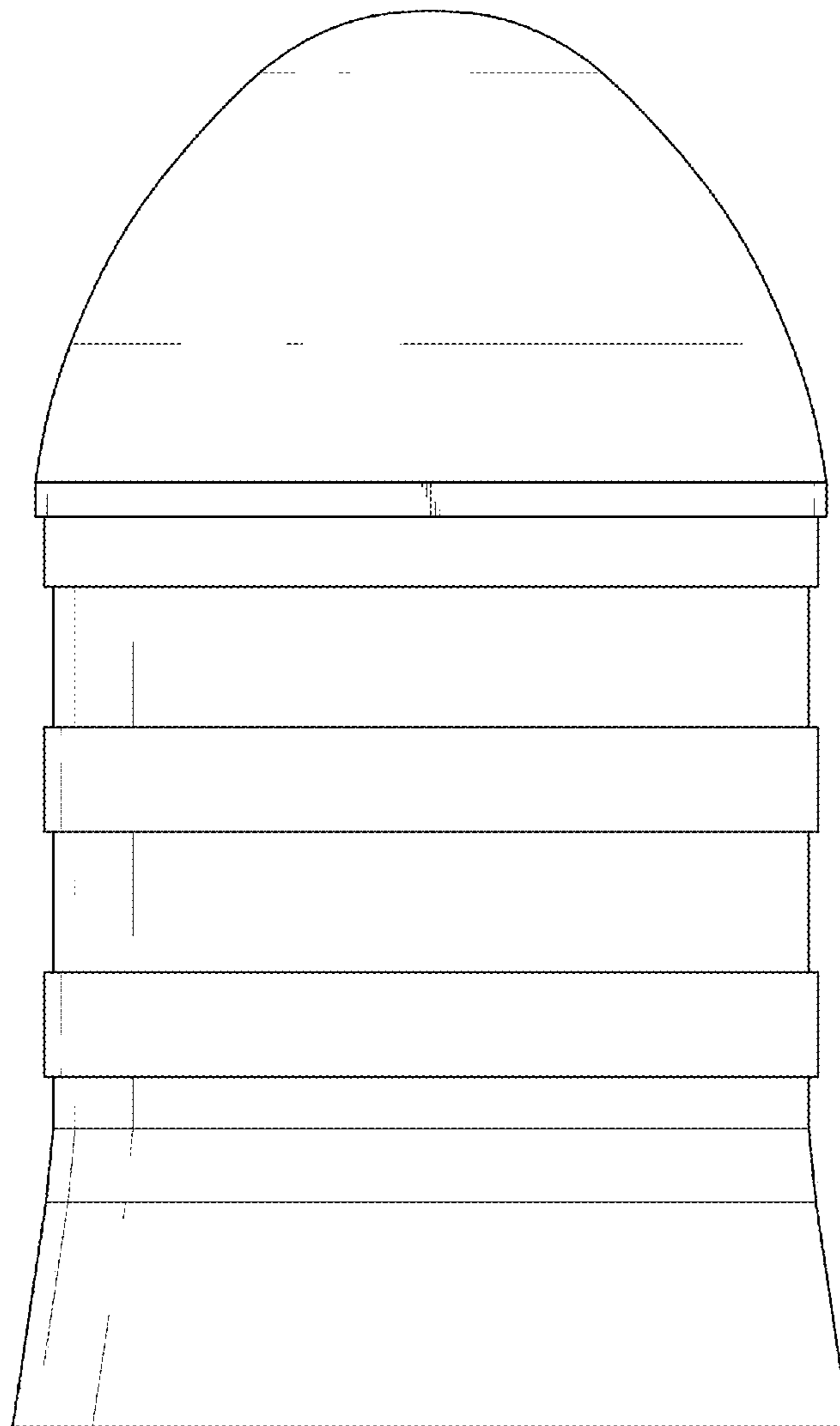


FIG. 16

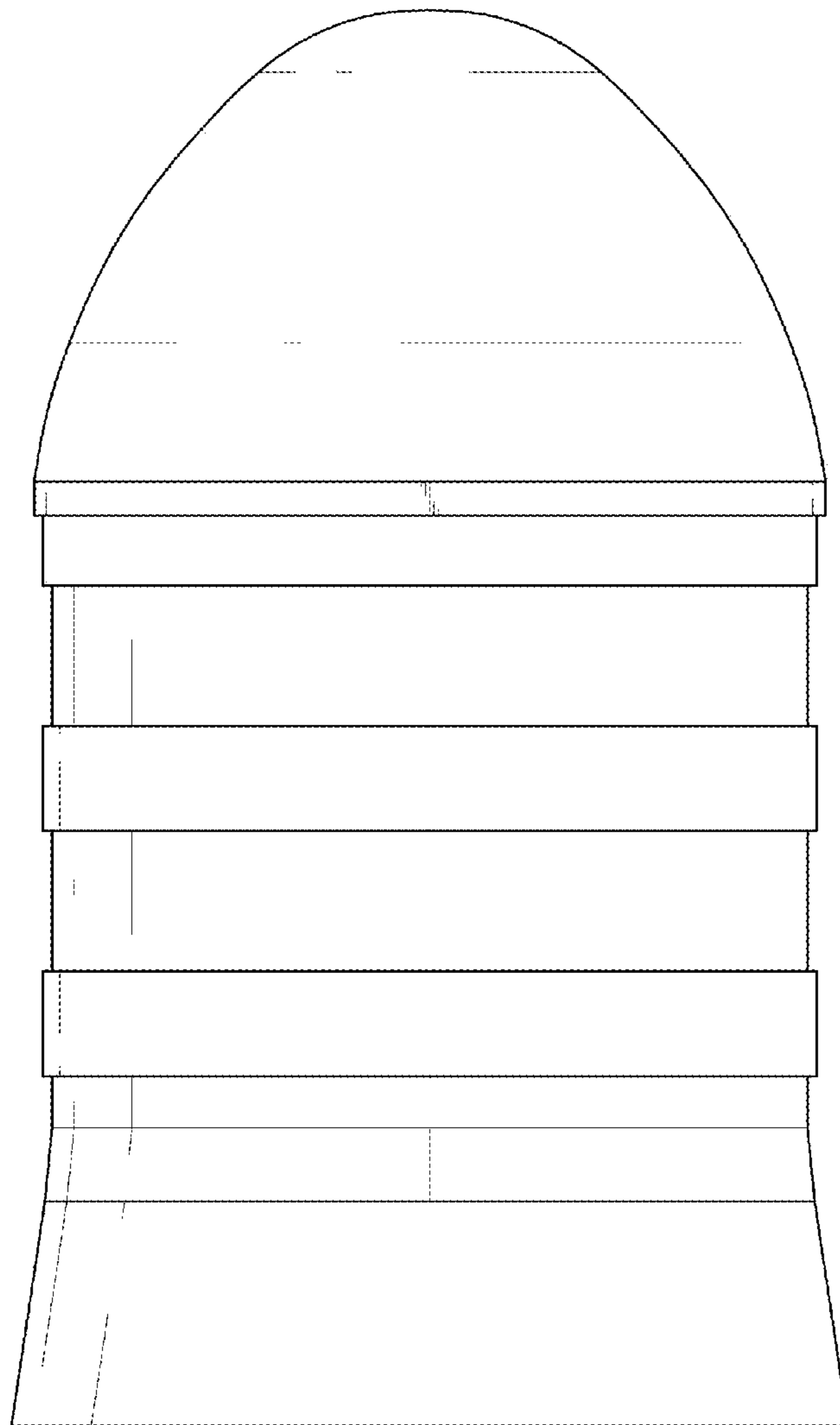


FIG. 17

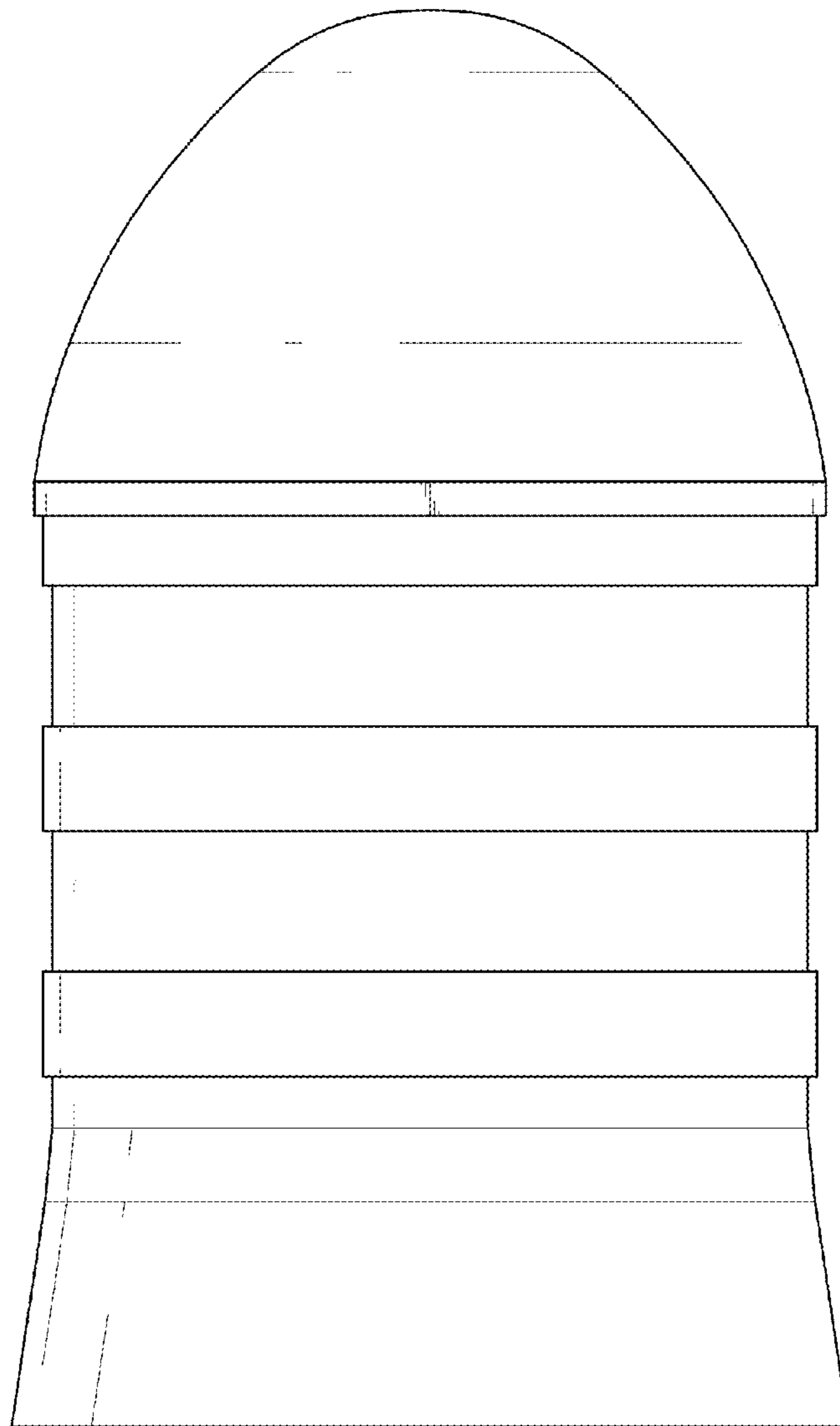


FIG. 18

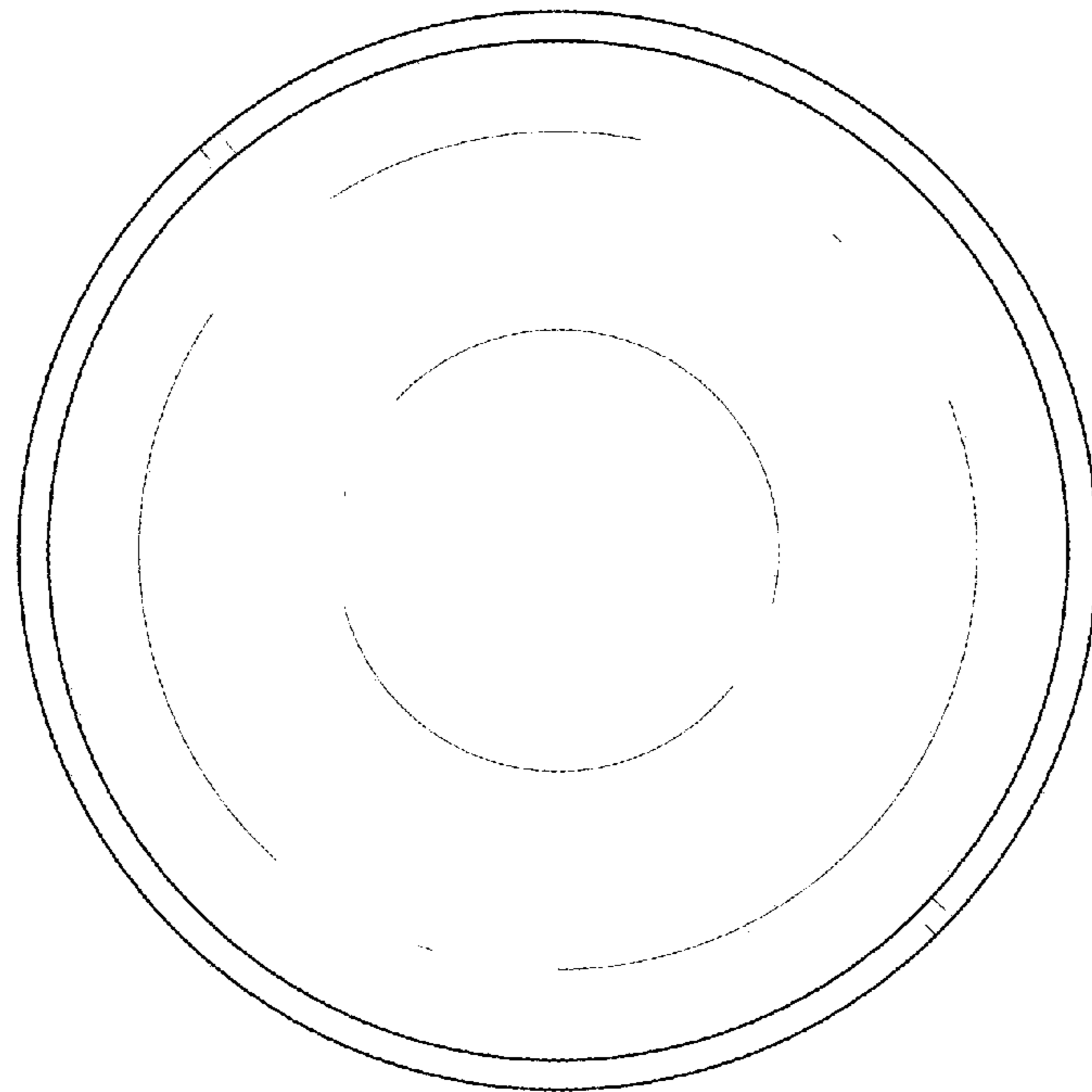


FIG. 19

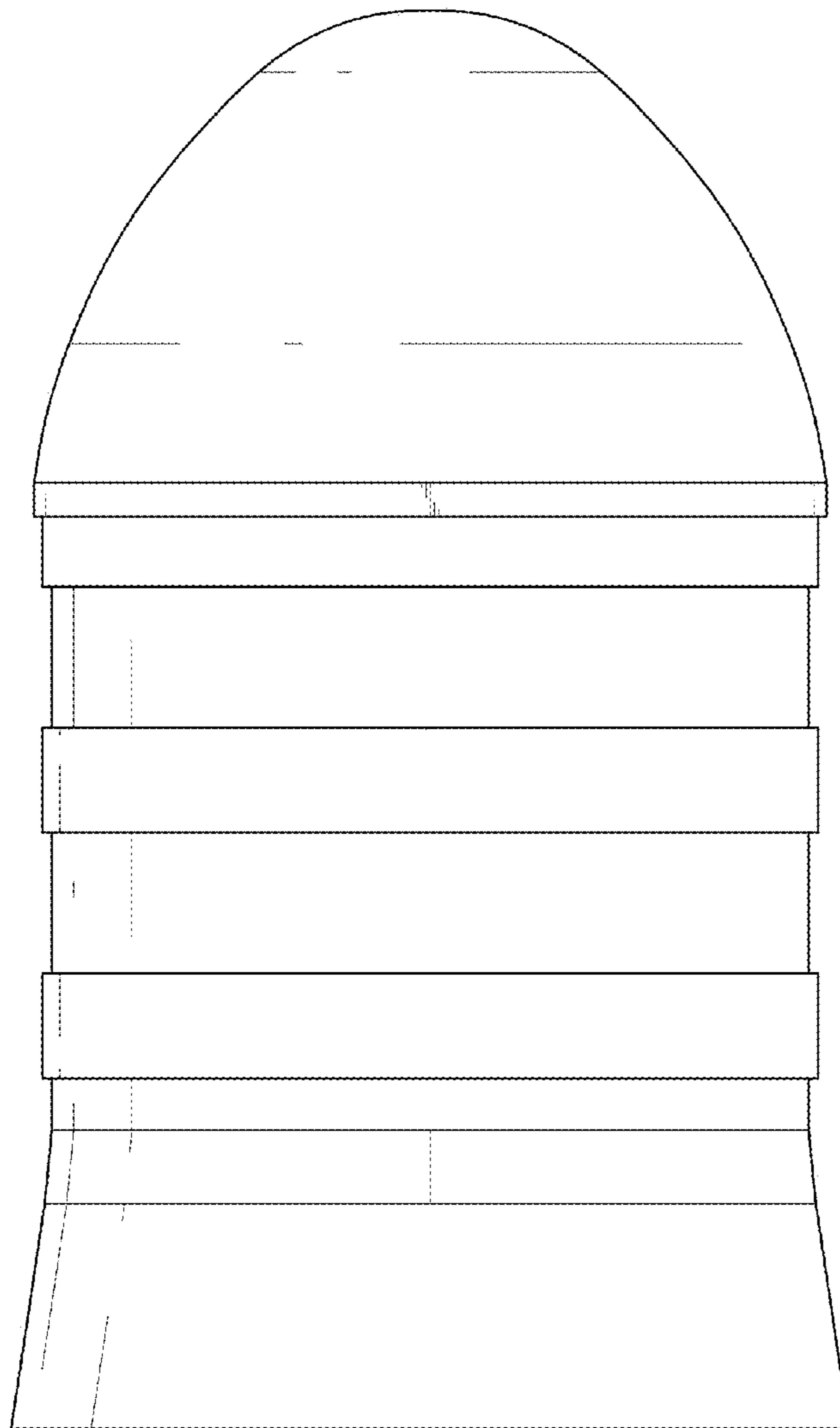


FIG. 20

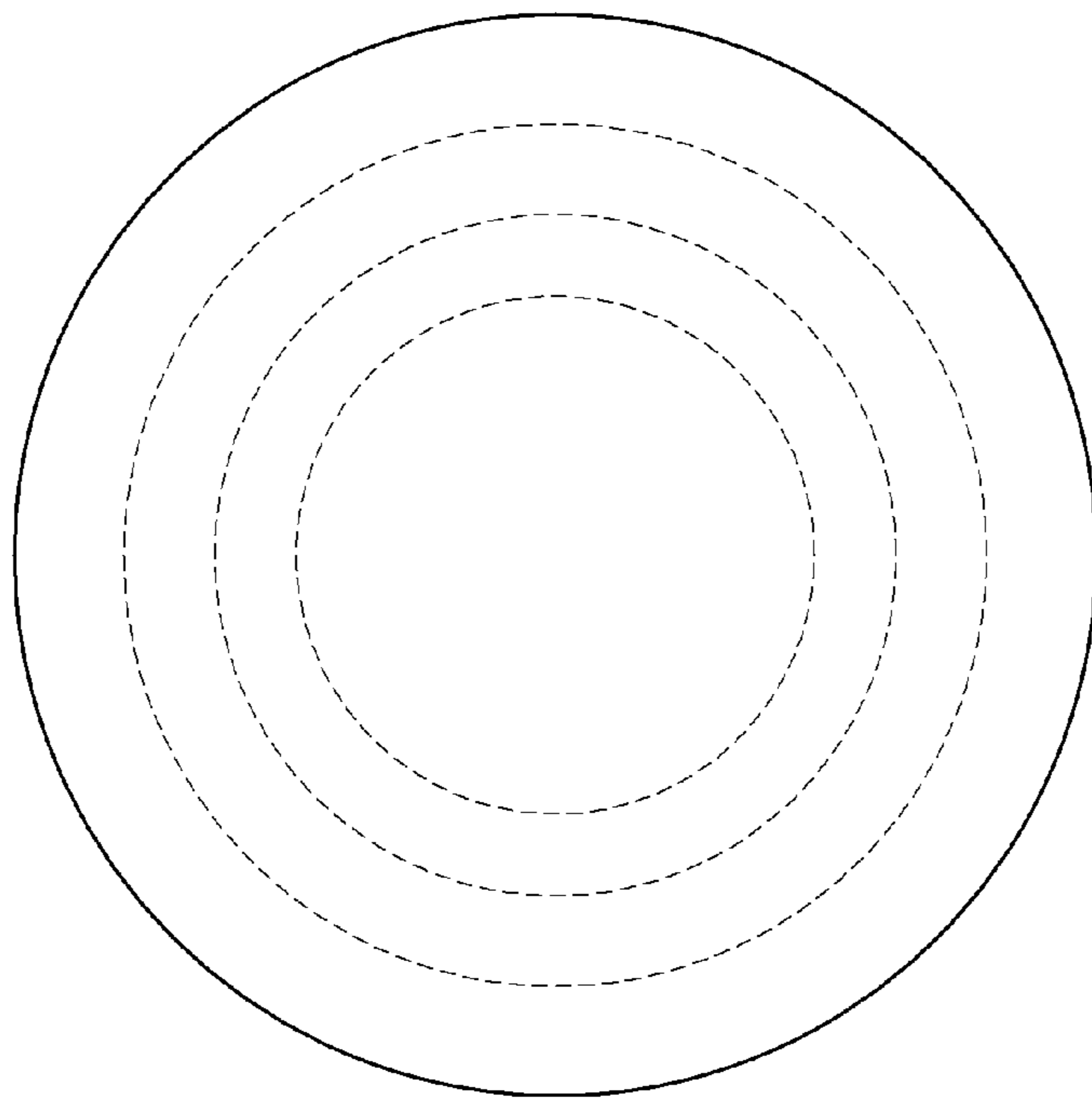


FIG. 21