



US00D752702S

(12) **United States Design Patent**  
**Arnedo Vera et al.**

(10) **Patent No.:** **US D752,702 S**  
(45) **Date of Patent:** **\*\* Mar. 29, 2016**

(54) **BULLET**

(71) Applicant: **GAMO OUTDOOR, S.L.**, Sant Boi de Llobregat (ES)

(72) Inventors: **Julian Arnedo Vera**, Sant Boi de Llobregat (ES); **Victor Tresserras Torre**, Sant Boi de Llobregat (ES)

(73) Assignee: **GAMO OUTDOOR, S.L.**, Sant Boi de Llobregat (Barcelona) (ES)

(\*\*) Term: **14 Years**

(21) Appl. No.: **29/496,254**

(22) Filed: **Jul. 10, 2014**

(30) **Foreign Application Priority Data**

Jan. 10, 2014 (EM) ..... 002382937-0002

(51) **LOC (10) Cl.** ..... **22-16**

(52) **U.S. Cl.**  
USPC ..... **D22/116**

(58) **Field of Classification Search**  
USPC ..... D22/115-116; 102/346, 430, 439, 448,  
102/458, 460, 464-468, 471, 501, 506, 508,  
102/514, 517, 521; 86/10, 19.5, 23, 25,  
86/46-48, 54-55; 473/569

CPC ..... F42B 6/10  
See application file for complete search history.

(56) **References Cited**

U.S. PATENT DOCUMENTS

2,982,550	A *	5/1961	Francis	.....	F42B 6/10 102/526
2002/0100389	A1 *	8/2002	May	.....	F42B 12/745 102/501
2009/0217838	A1 *	9/2009	Salva	.....	F42B 33/001 102/508
2015/0159983	A1 *	6/2015	Pichard	.....	F42B 12/34 102/507
2015/0204639	A1 *	7/2015	Riley	.....	F42B 6/10 102/501

\* cited by examiner

*Primary Examiner* — Michael A Pratt

(74) *Attorney, Agent, or Firm* — Knobbe Martens Olson & Bear LLP

(57) **CLAIM**

The ornamental design for bullet, as shown and described.

**DESCRIPTION**

FIG. 1 is a top perspective view of bullet showing our new design.

FIG. 2 is a right elevational view thereof

FIG. 3 is a front elevational view thereof.

FIG. 4 is a left elevational view thereof.

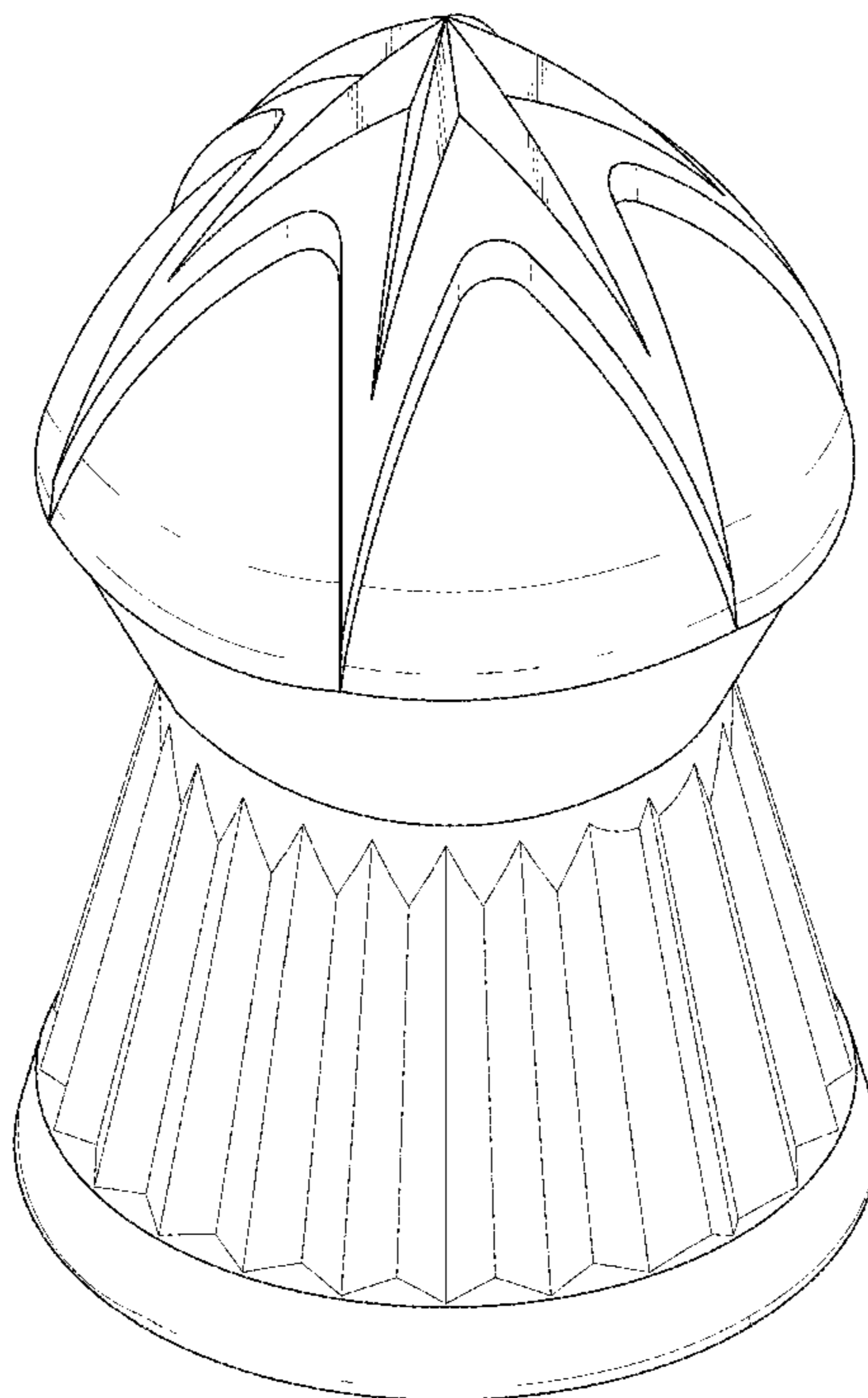
FIG. 5 is a top plan view thereof.

FIG. 6 is a rear elevational view thereof; and,

FIG. 7 is a bottom plan view thereof.

The broken lines in FIG. 7 are included for the purpose of illustrating portions of the bullet that forms no part of the claimed design.

**1 Claim, 7 Drawing Sheets**



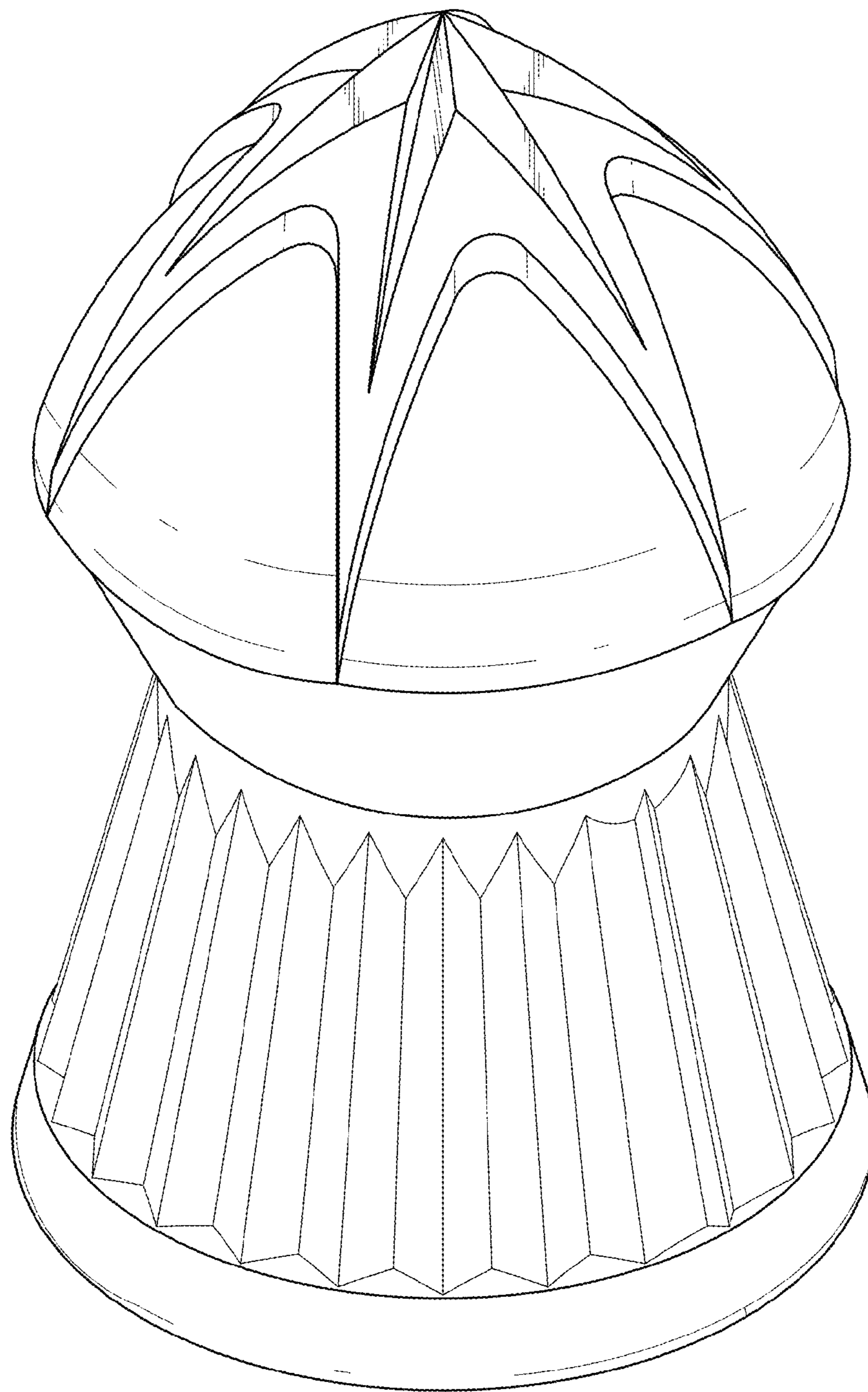


FIG. 1

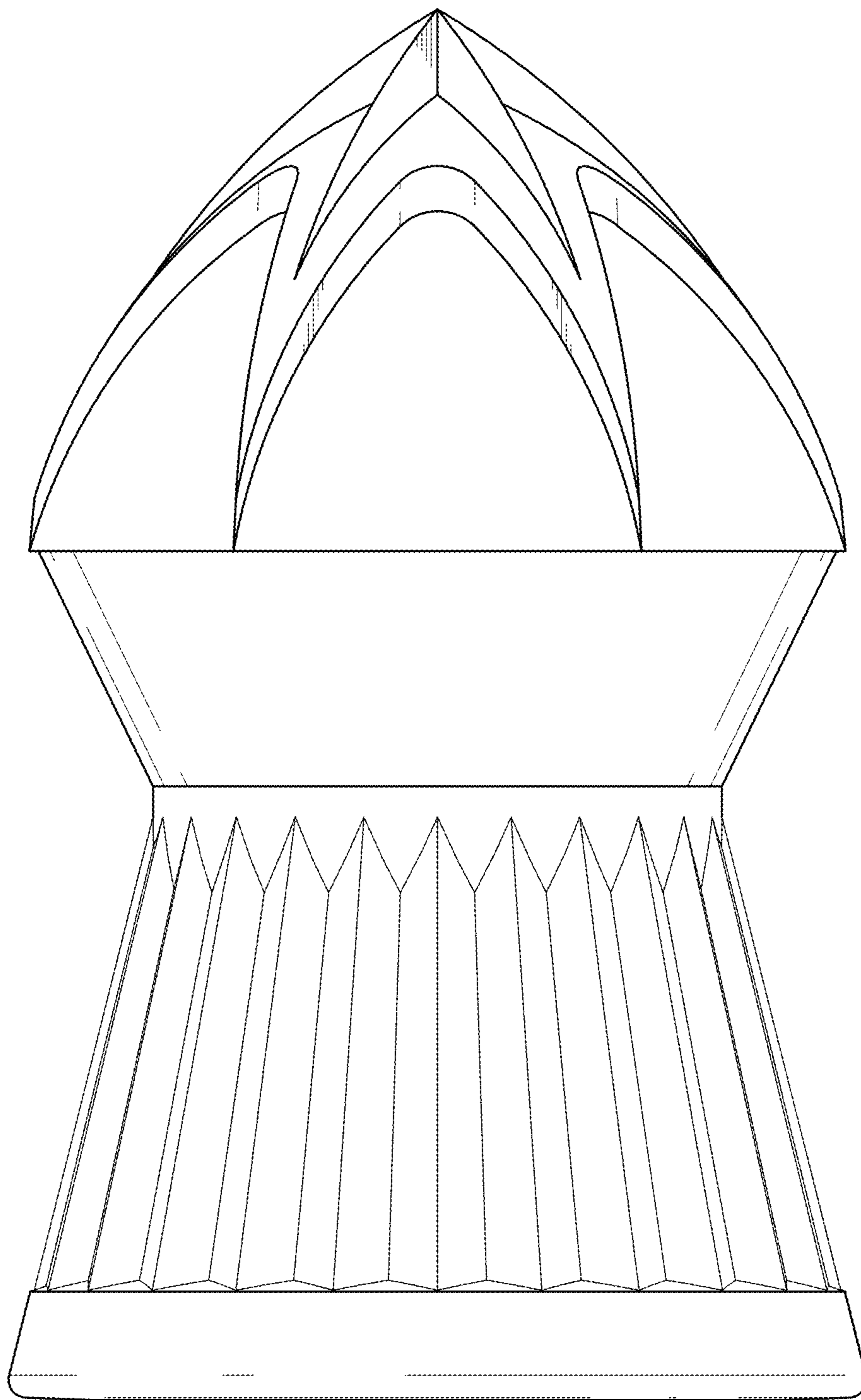


FIG. 2

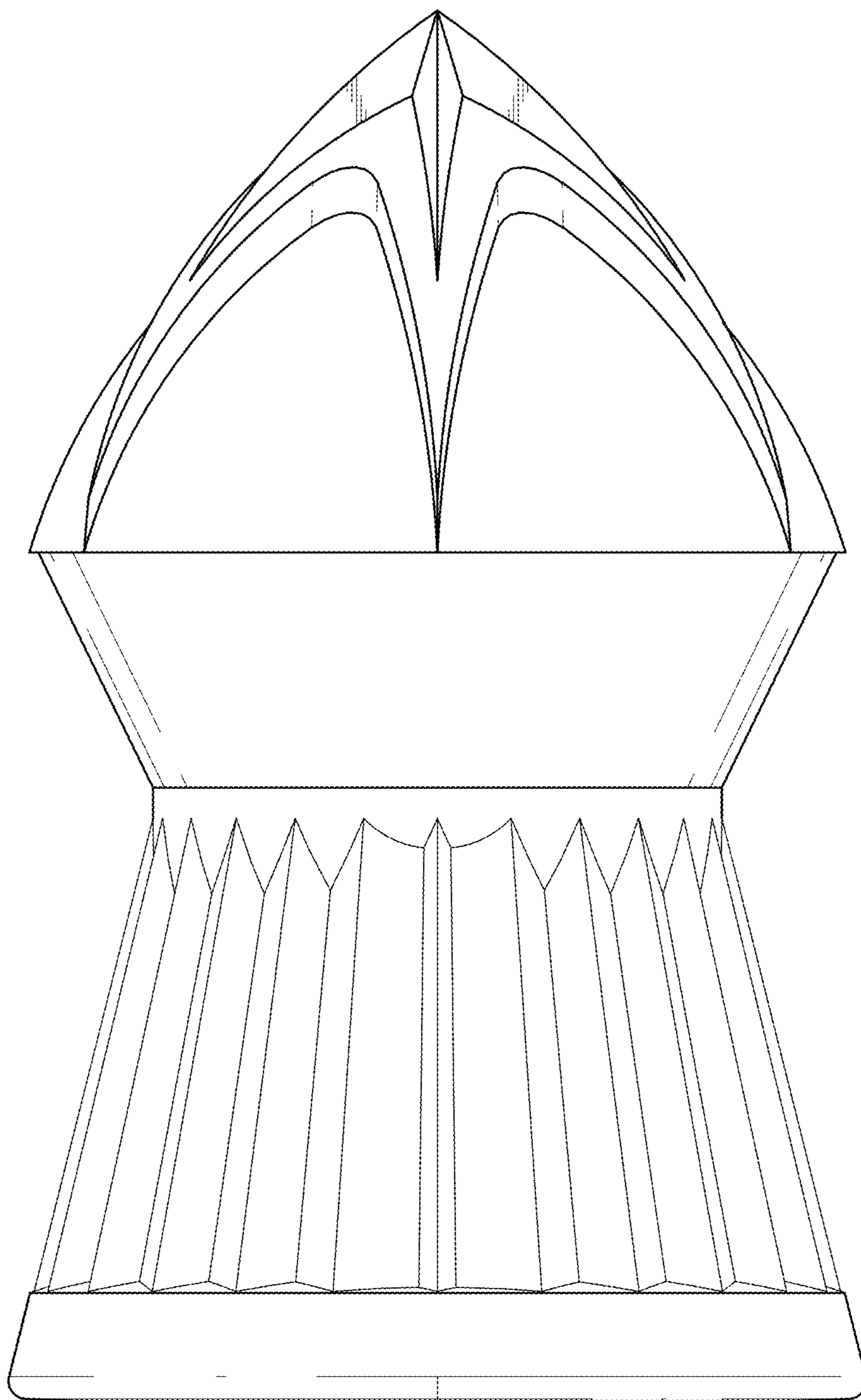


FIG. 3

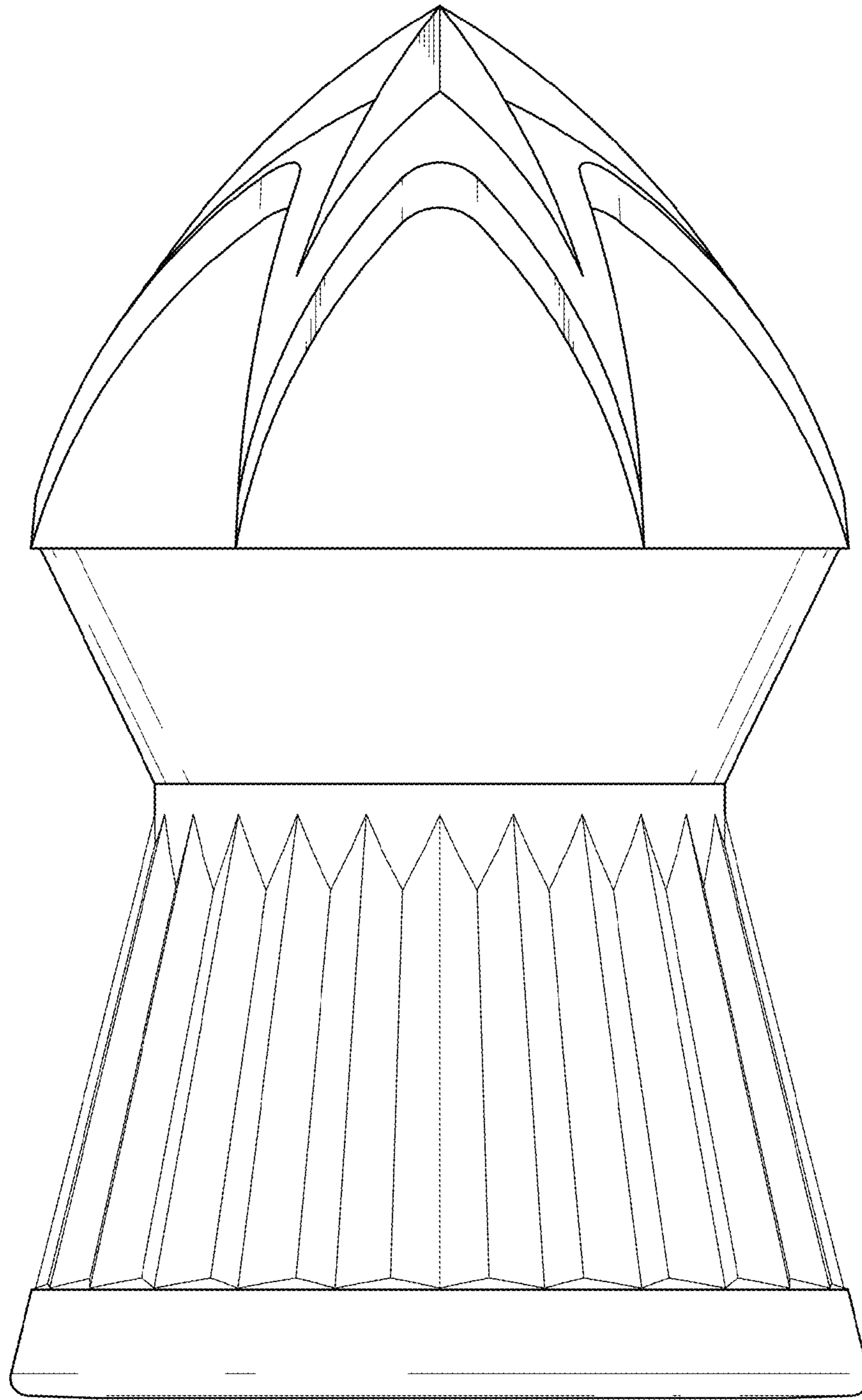


FIG. 4

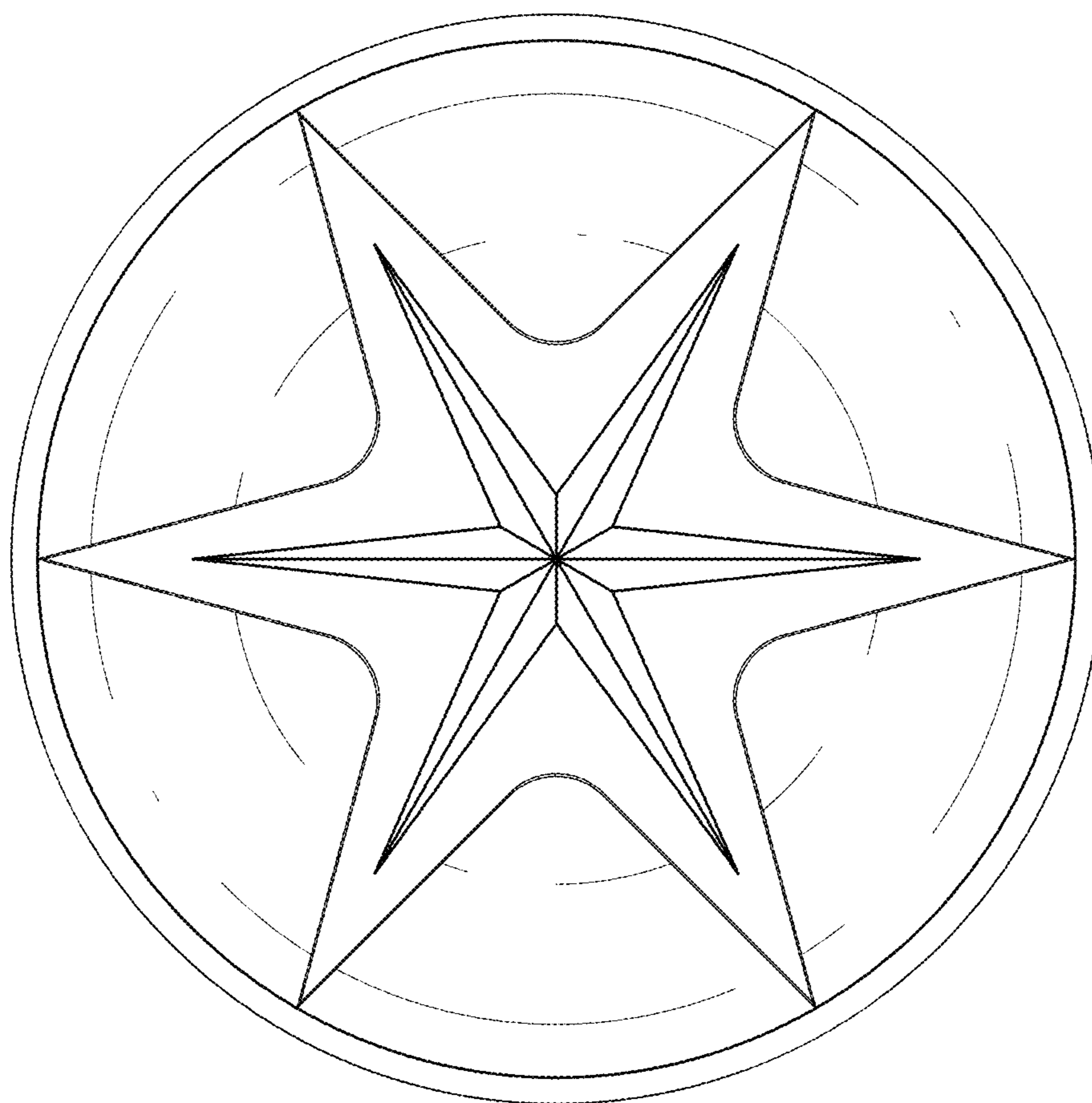


FIG. 5

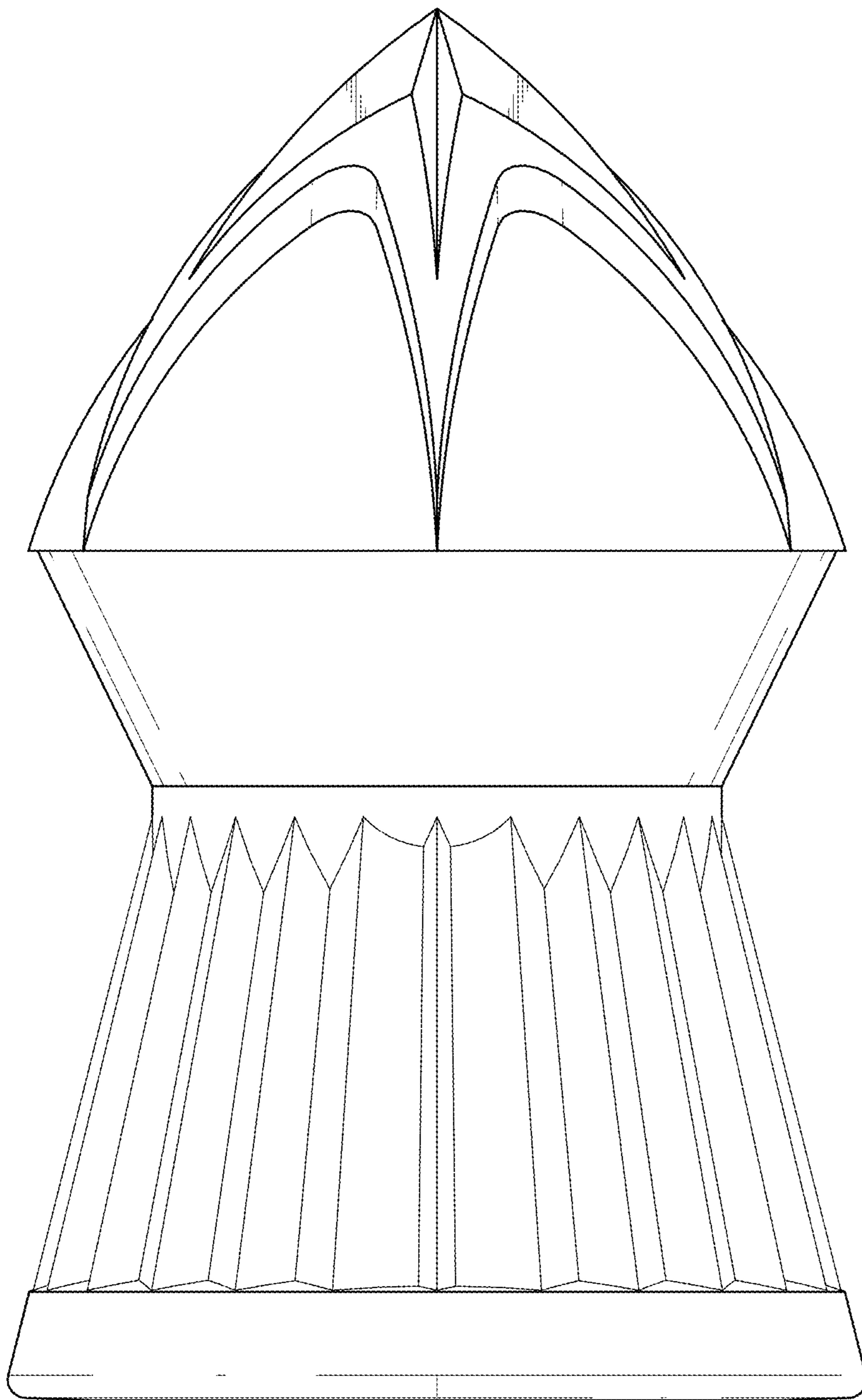


FIG. 6

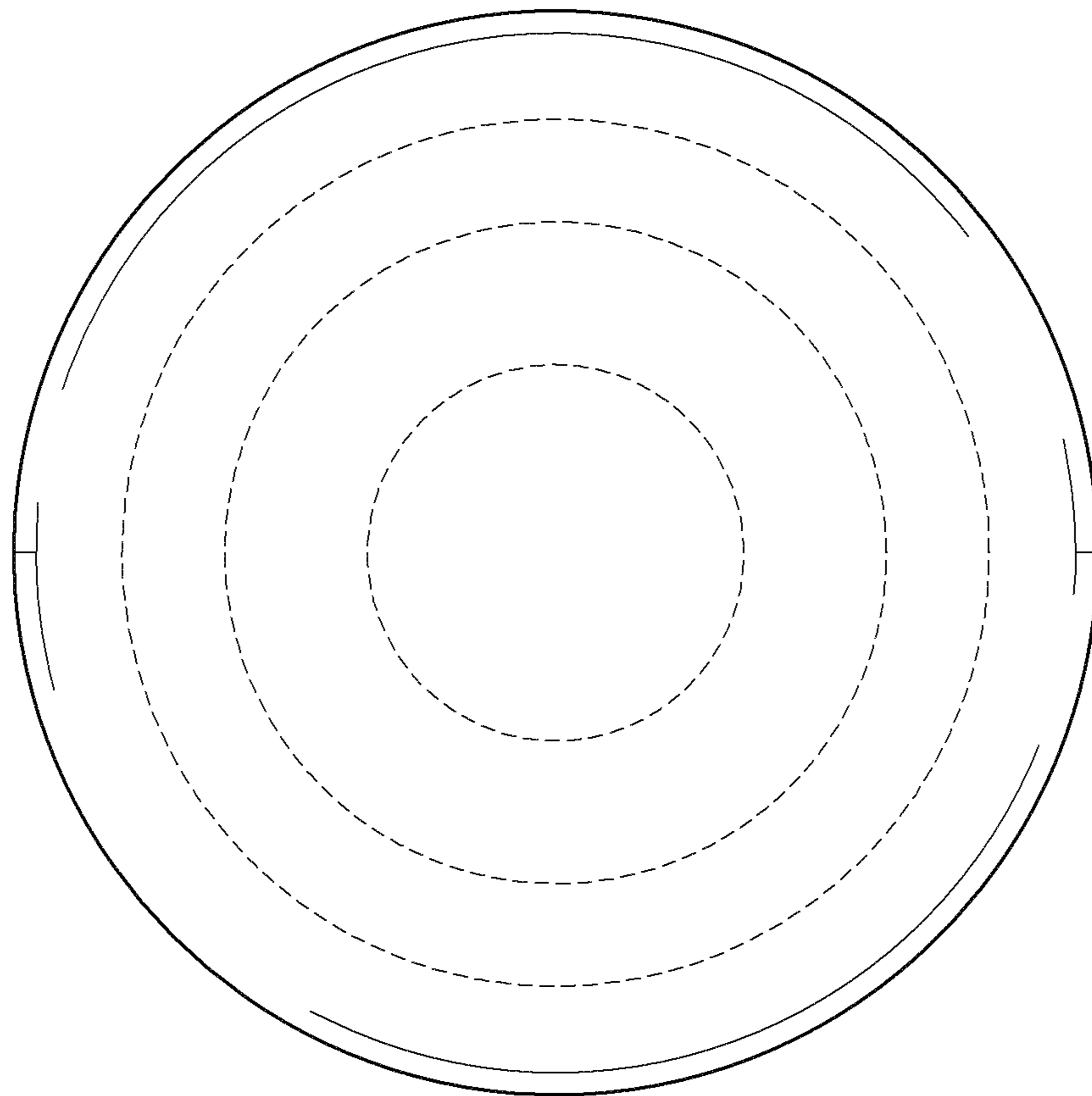


FIG. 7