



US00D752701S

(12) **United States Design Patent**
Bengtsson

(10) **Patent No.:** **US D752,701 S**
(45) **Date of Patent:** **** Mar. 29, 2016**

(54) **SIGHT**

(71) Applicant: **Aimpoint AB**, Malmö (SE)
(72) Inventor: **Peter Bengtsson**, Oxie (SE)
(73) Assignee: **Aimpoint AB**, Malmö (SE)
(**) Term: **14 Years**
(21) Appl. No.: **29/508,416**

(22) Filed: **Nov. 6, 2014**

(30) **Foreign Application Priority Data**

May 22, 2014 (EM) 002468876-0001
May 22, 2014 (EM) 002468876-0002

(51) **LOC (10) Cl.** **22-01**

(52) **U.S. Cl.**
USPC **D22/109**

(58) **Field of Classification Search**
USPC D22/109
CPC F41G 11/003; F41G 1/00; F41G 1/16;
F41G 1/345
See application file for complete search history.

(56) **References Cited**

U.S. PATENT DOCUMENTS

D369,367 S * 4/1996 Tomita D16/130
D416,972 S * 11/1999 Otteman D22/108
D427,275 S * 6/2000 Gilmore D16/130
D472,569 S * 4/2003 Schick D16/132
D615,141 S * 5/2010 Leighton D22/108
D616,956 S * 6/2010 Hamilton D22/108
D717,390 S * 11/2014 Rogers D22/108
D728,062 S * 4/2015 Hamilton D22/109
D732,137 S * 6/2015 Hamilton D22/109
D741,446 S * 10/2015 Cheng D22/109

* cited by examiner

OTHER PUBLICATIONS

Aimpoint, Micro T-1, <http://www.aimpoint.com/products/all-products/product-singleview/product/Micro%20T-1/>, 2 pages.

Primary Examiner — Michael A Pratt

(74) *Attorney, Agent, or Firm* — Thomas | Horstemeyer, LLP

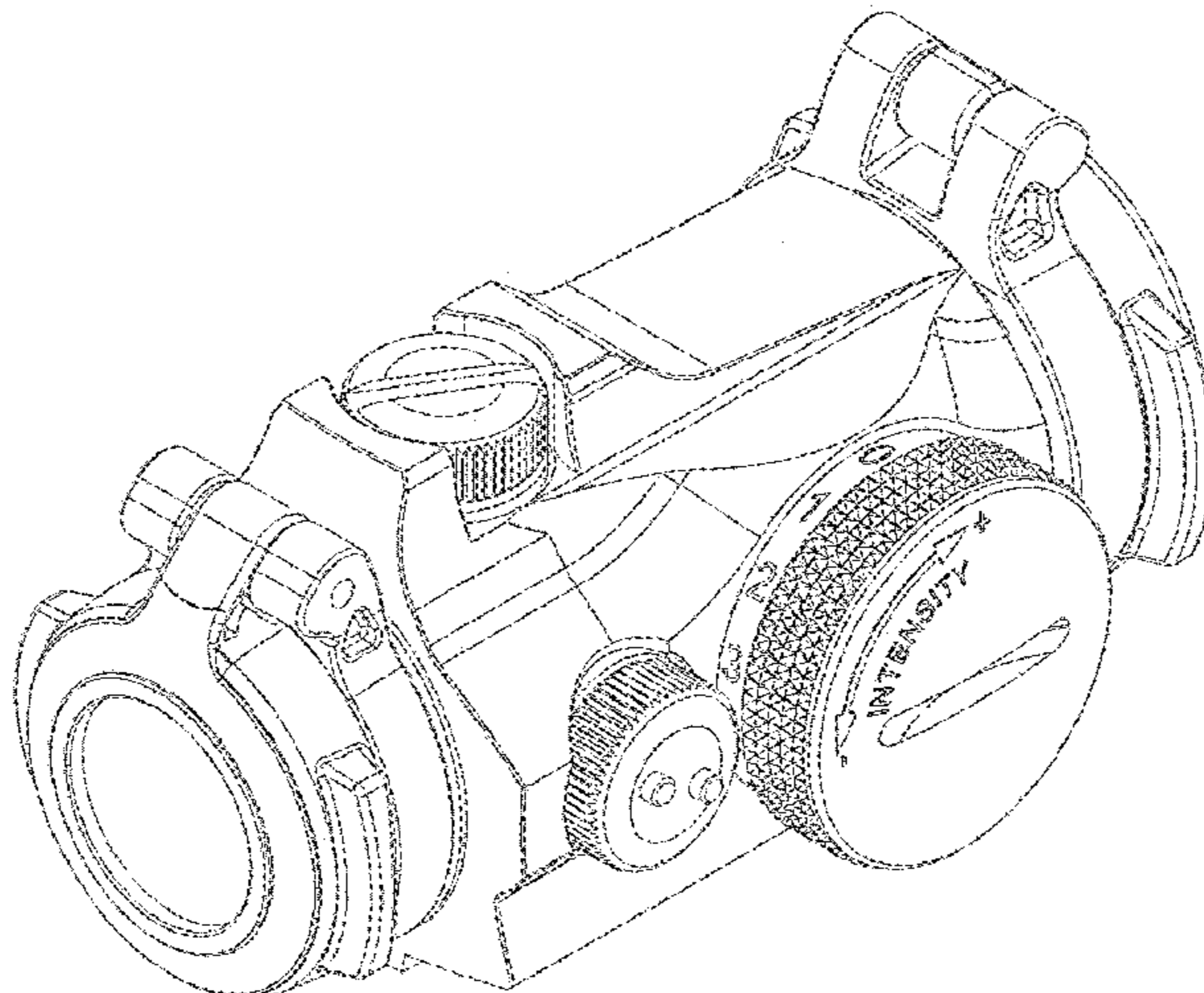
(57) **CLAIM**

The ornamental design for sight, as shown and described.

DESCRIPTION

FIG. 1 is a side perspective view of my new sight;
FIG. 2 is a side view of my new sight of FIG. 1;
FIG. 3 is a side view of my new sight of FIG. 1 from the side opposite that of FIG. 2;
FIG. 4 is a front view of my new sight of FIG. 1;
FIG. 5 is an end view of my new sight of FIG. 1 from the end opposite that of FIG. 4;
FIG. 6 is a top plan view of my new sight of FIG. 1;
FIG. 7 is a bottom plan view of my new sight of FIG. 1;
FIG. 8 is a side perspective view of my new sight of FIG. 1 depicting the lens covers in FIG. 1 in an open position;
FIG. 9 is a side view of my new sight of FIG. 8;
FIG. 10 is a side view of my new sight of FIG. 8 from the side opposite that of FIG. 9;
FIG. 11 is an end view of my new sight of FIG. 8;
FIG. 12 is an end view of my new sight of FIG. 8 from the end opposite that of FIG. 11;
FIG. 13 is a top plan view of my new sight of FIG. 8; and,
FIG. 14 is a bottom plan view of my new sight of FIG. 8.

1 Claim, 14 Drawing Sheets



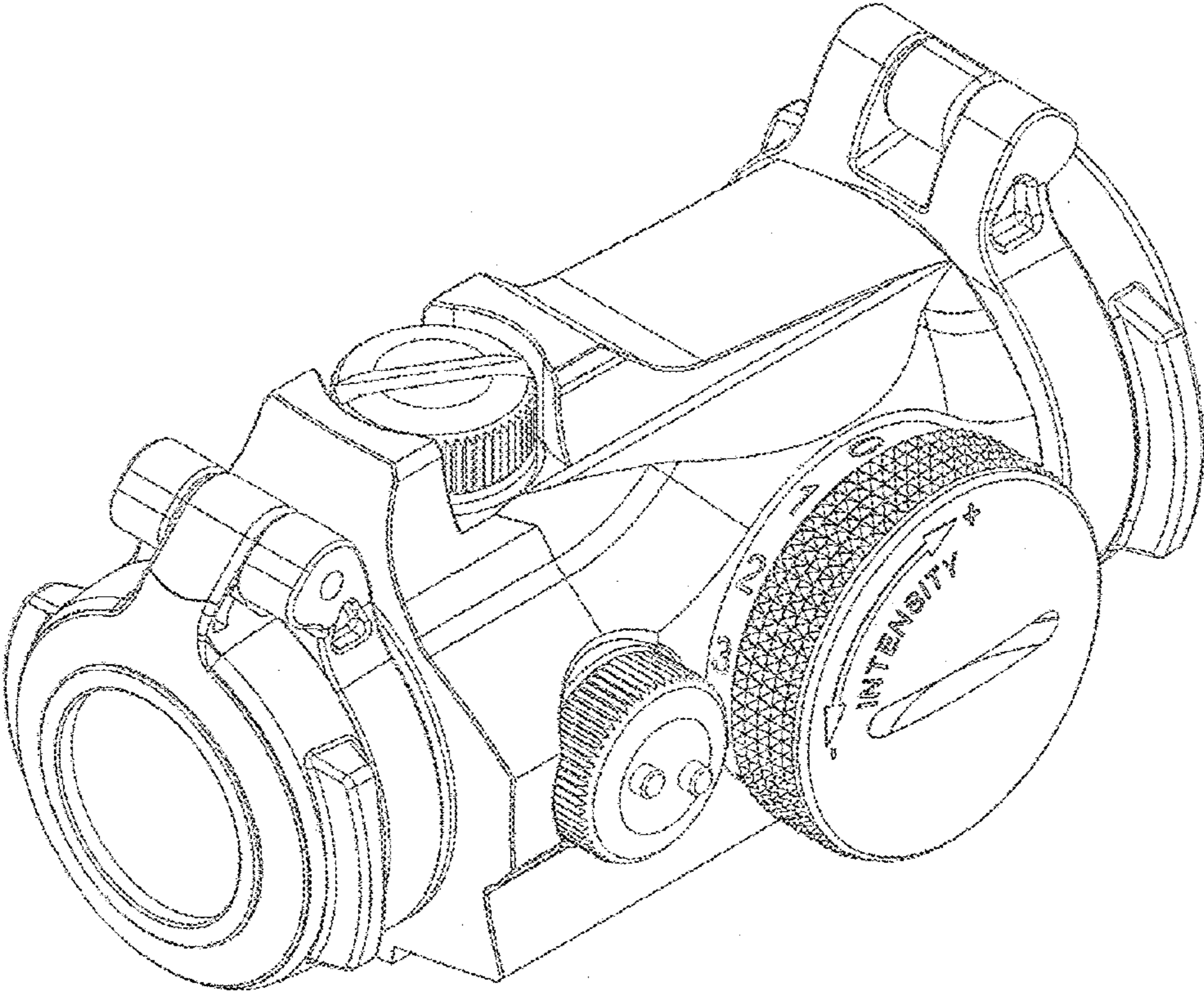


FIG. 1

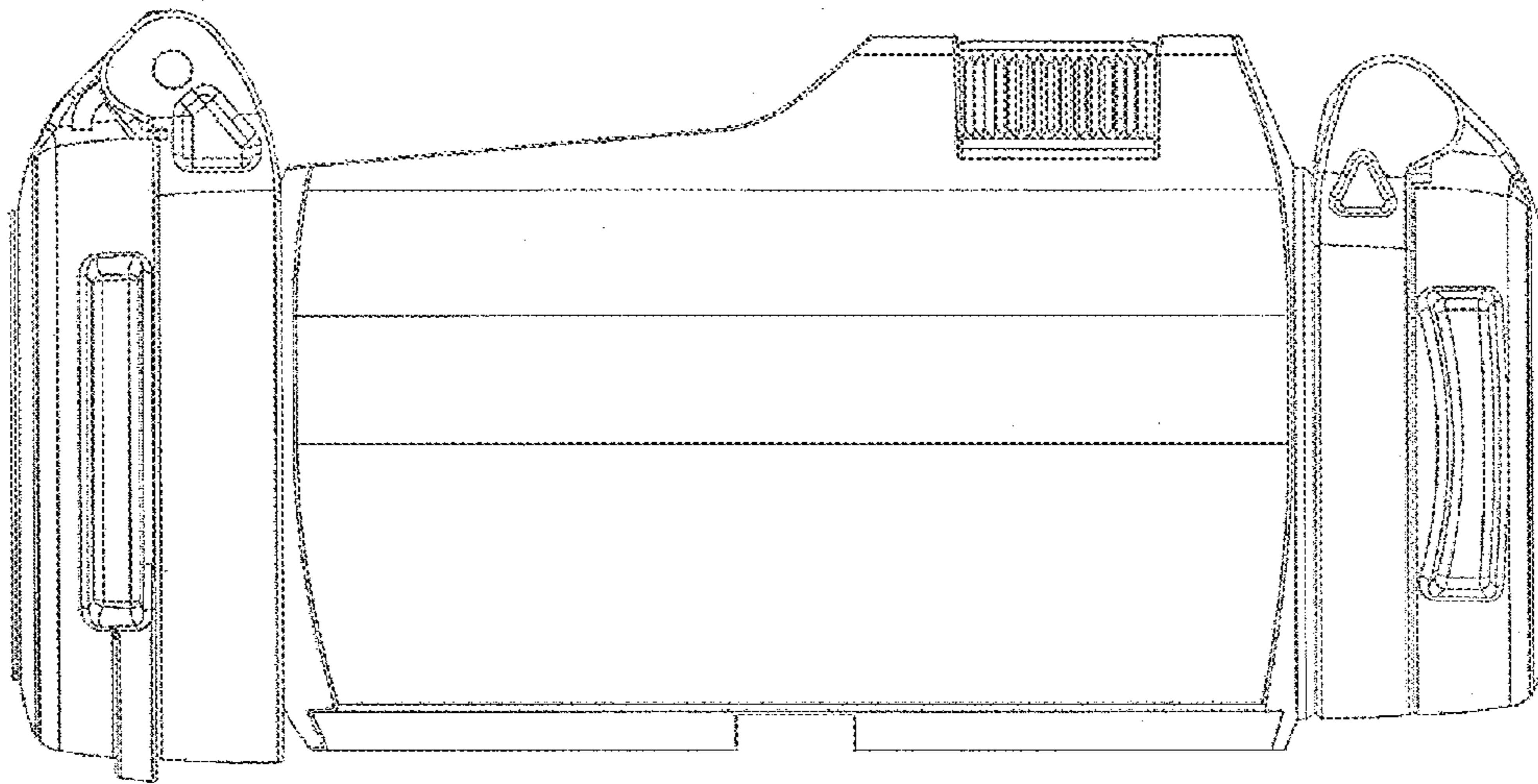


FIG. 2

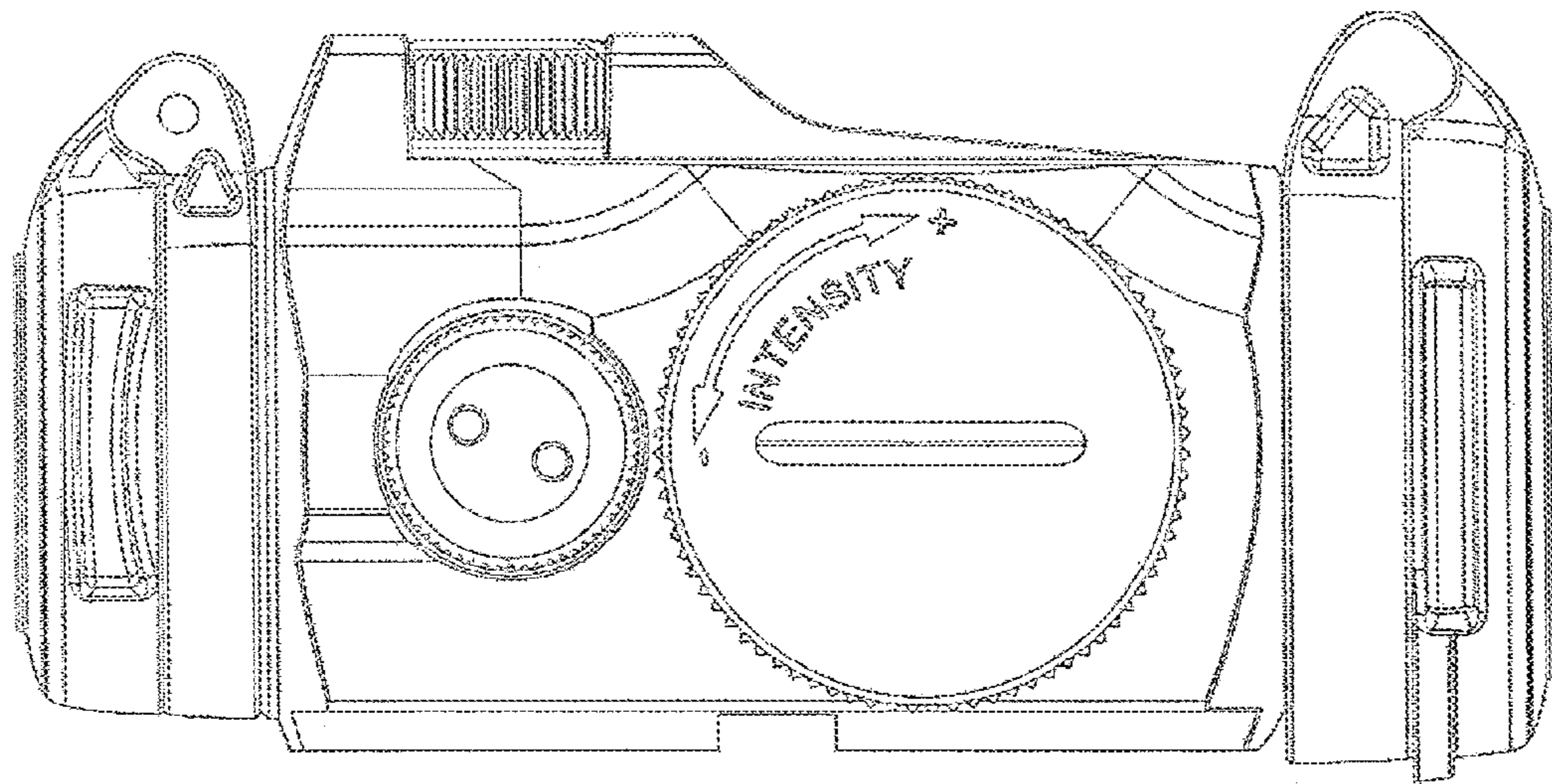


FIG. 3

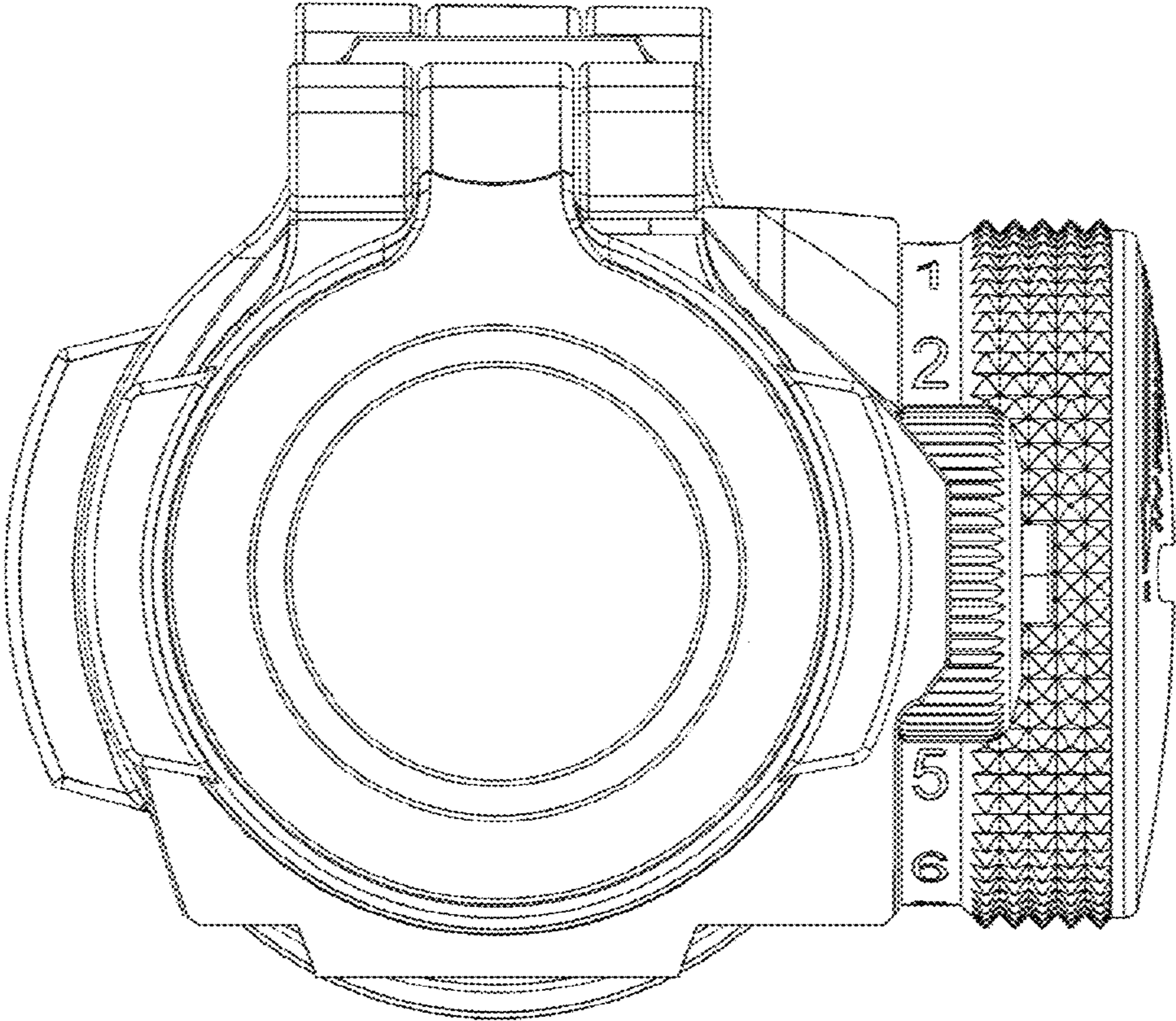


FIG. 4

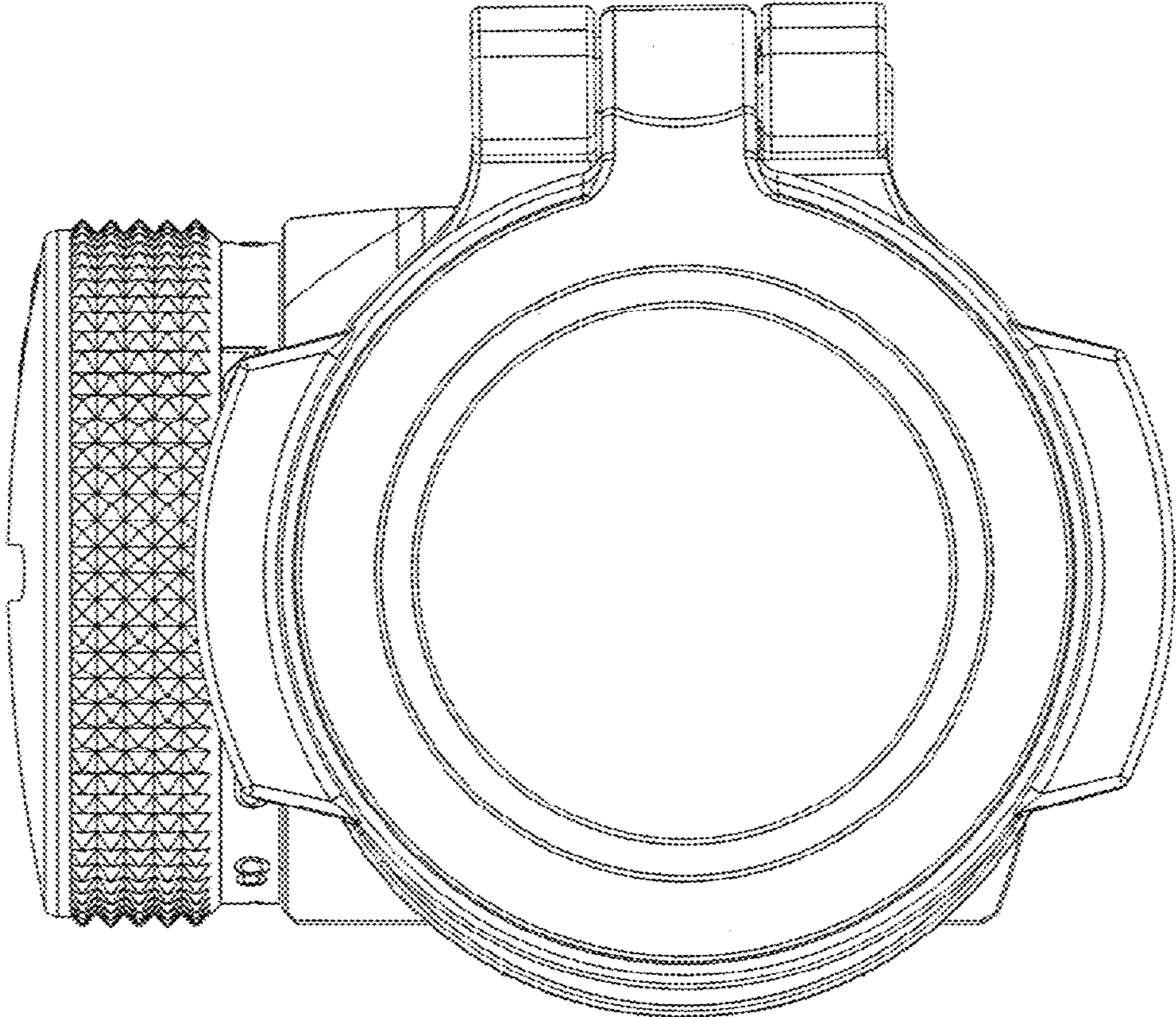


FIG. 5

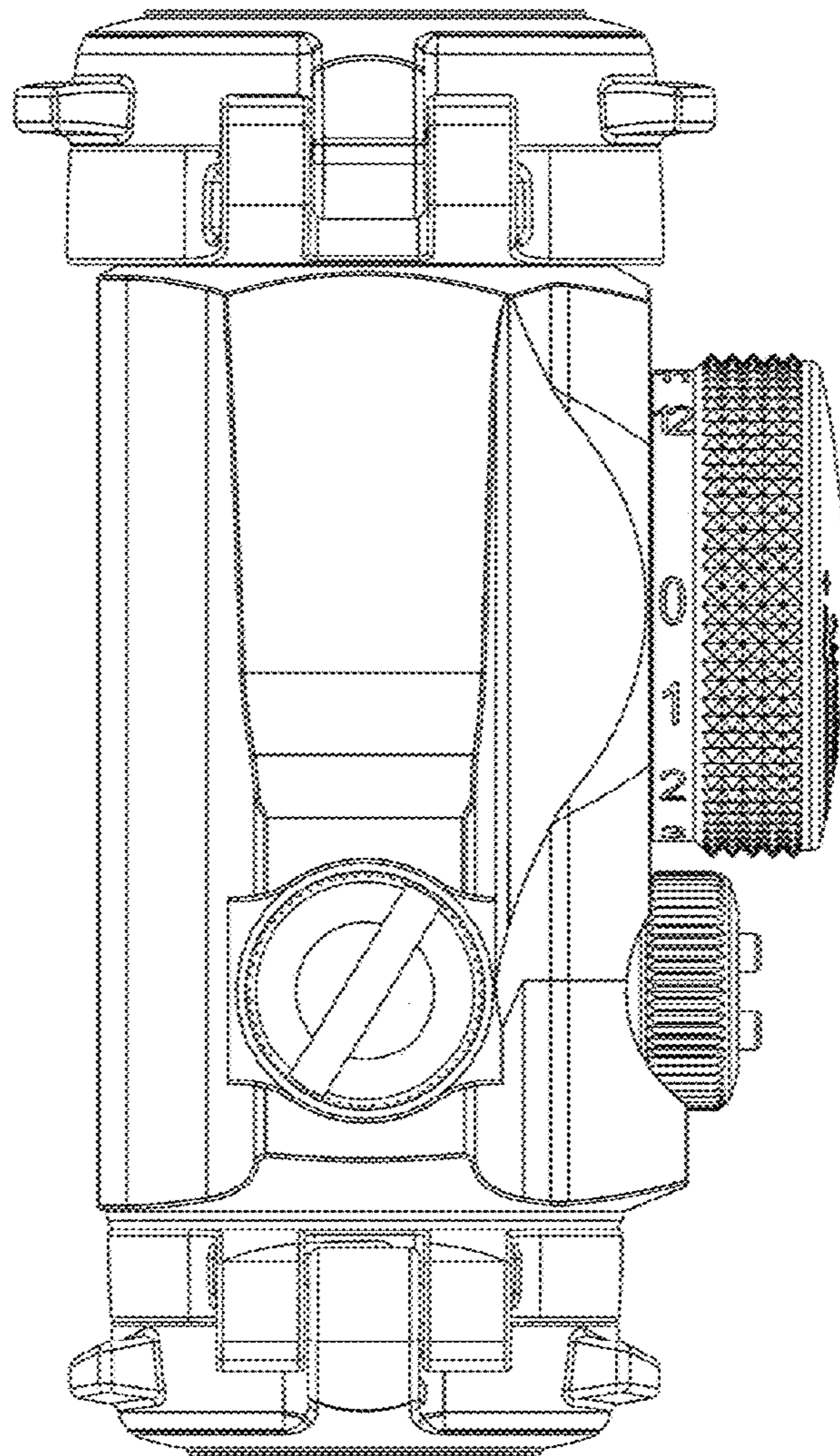


FIG. 6

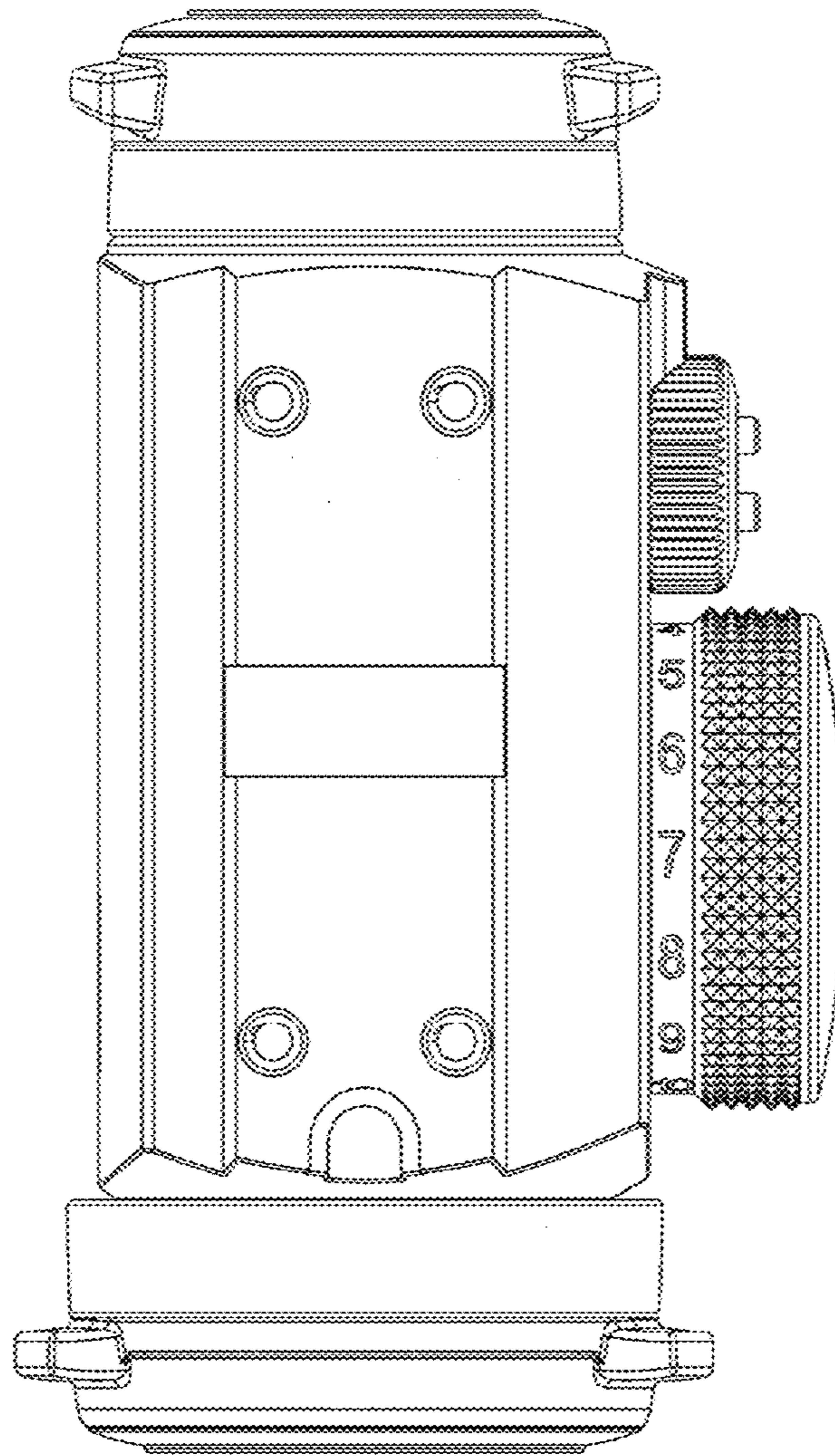


FIG. 7

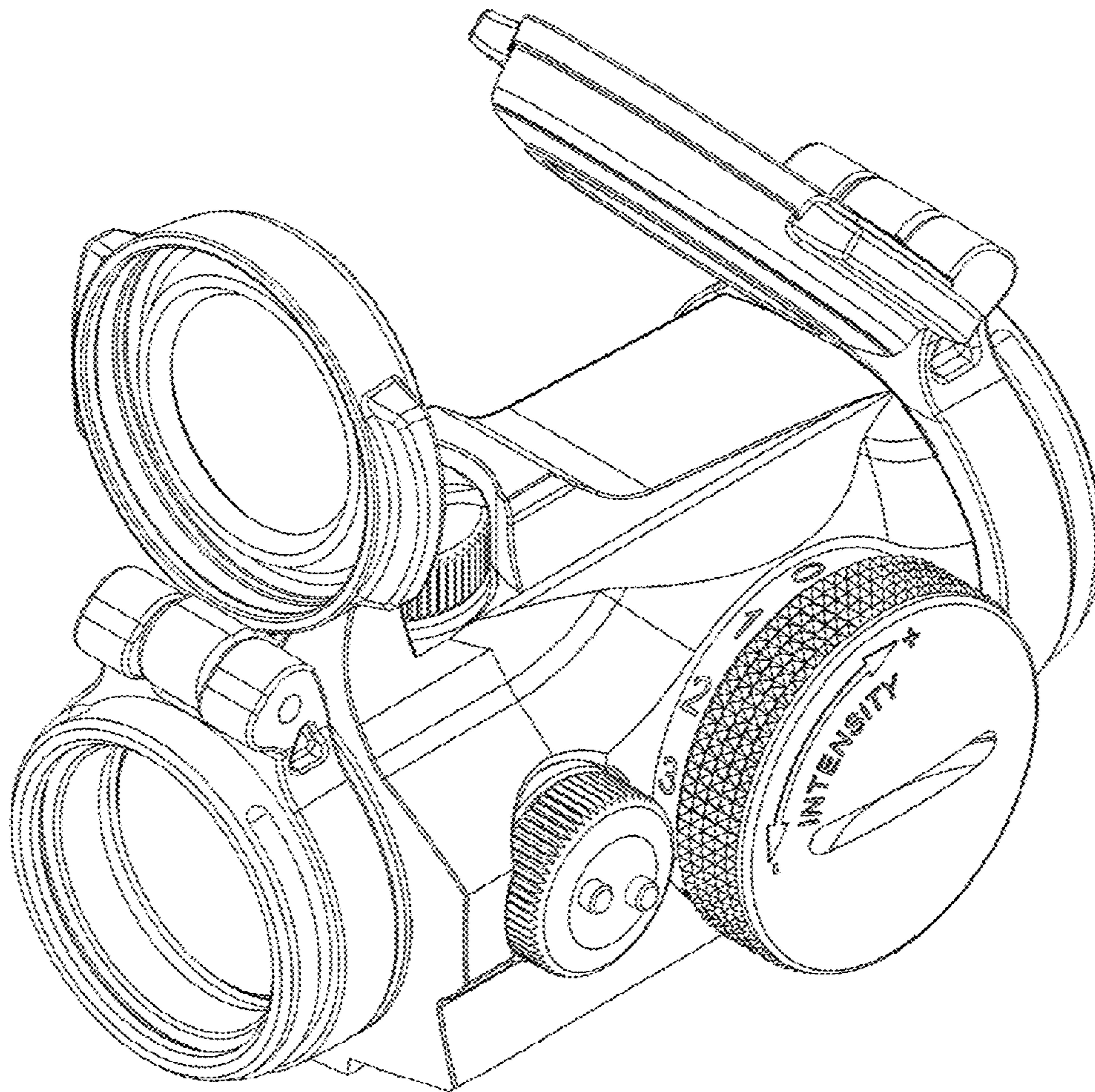


FIG. 8

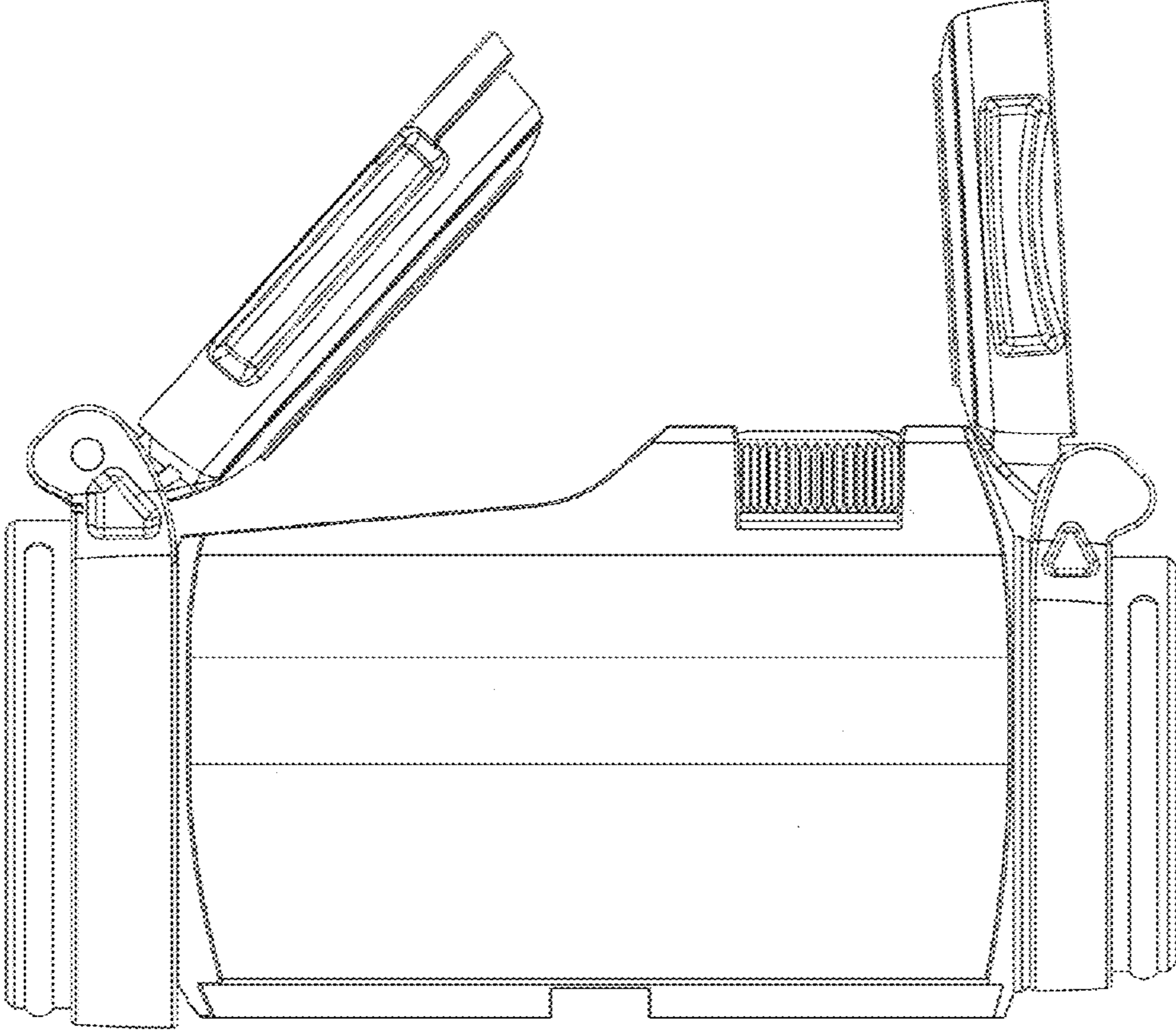


FIG. 9

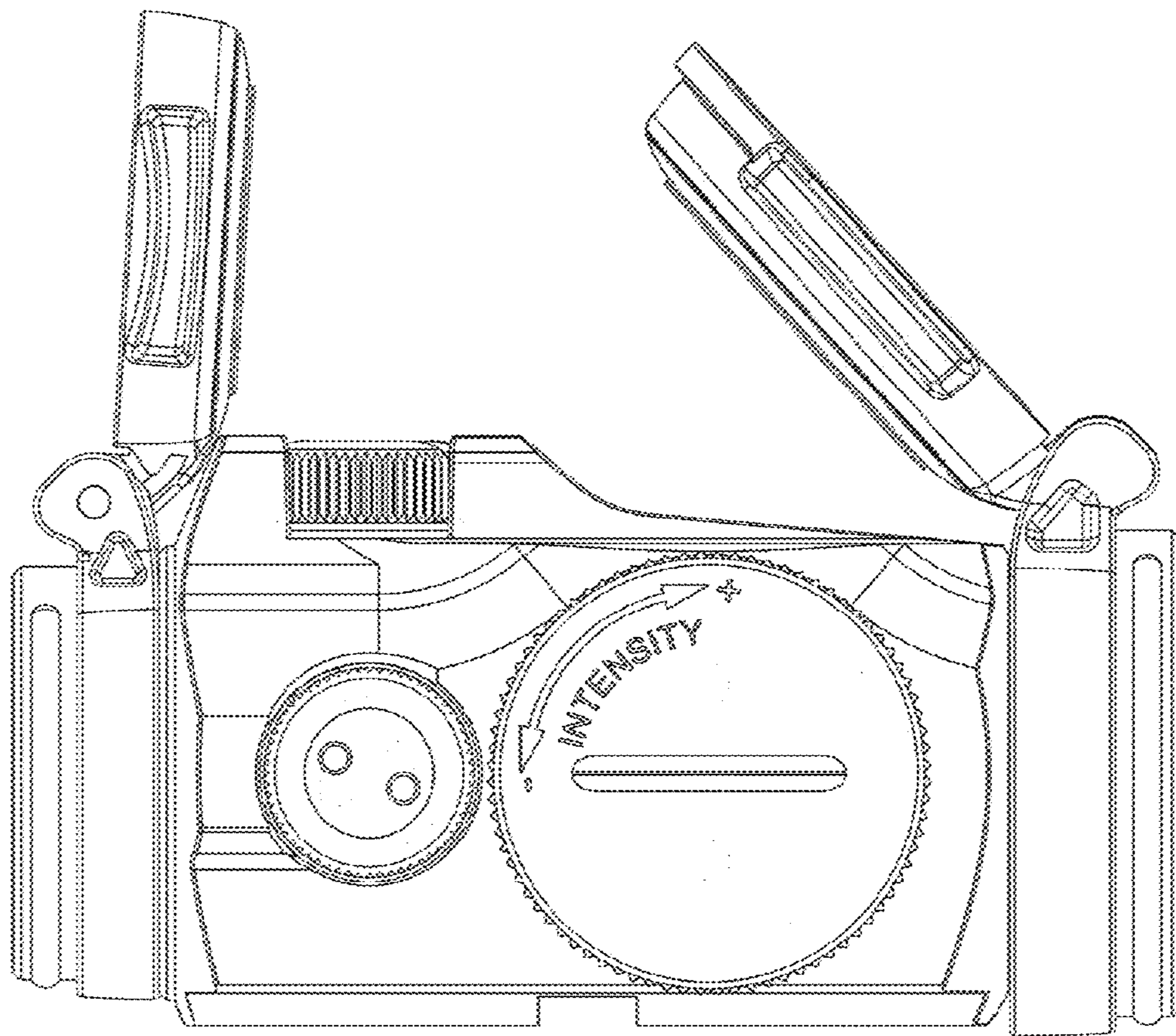


FIG. 10

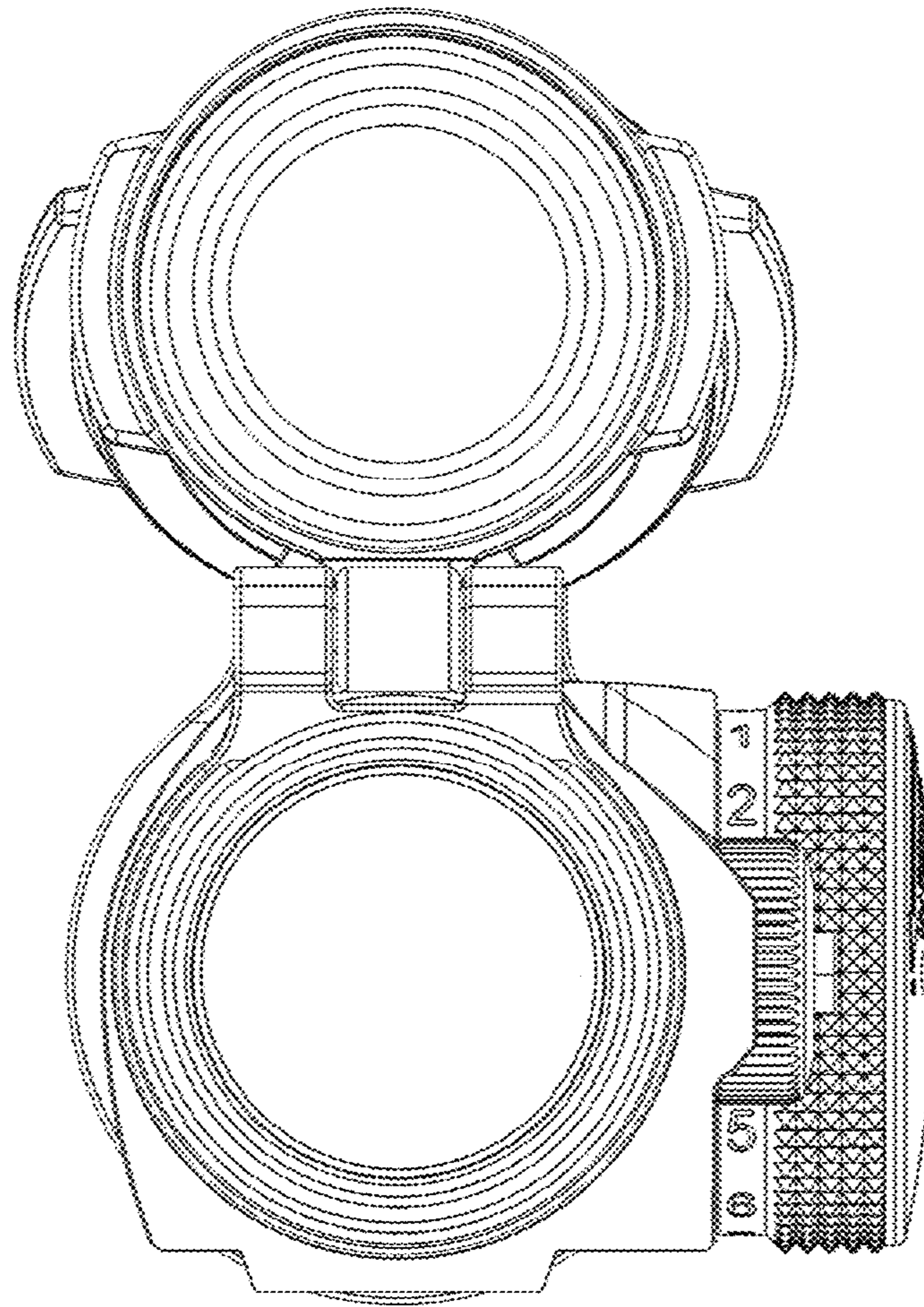


FIG. 11

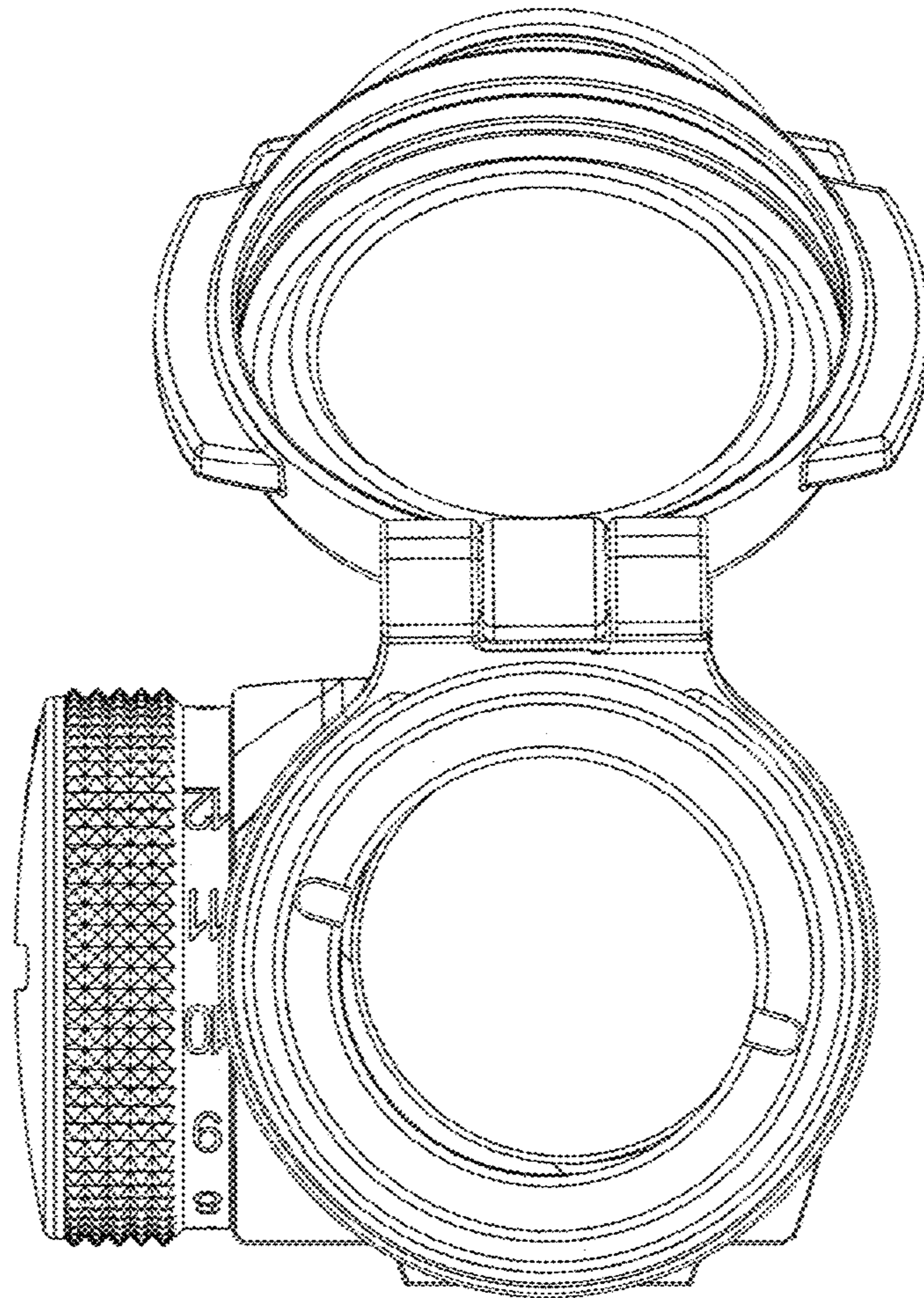


FIG. 12

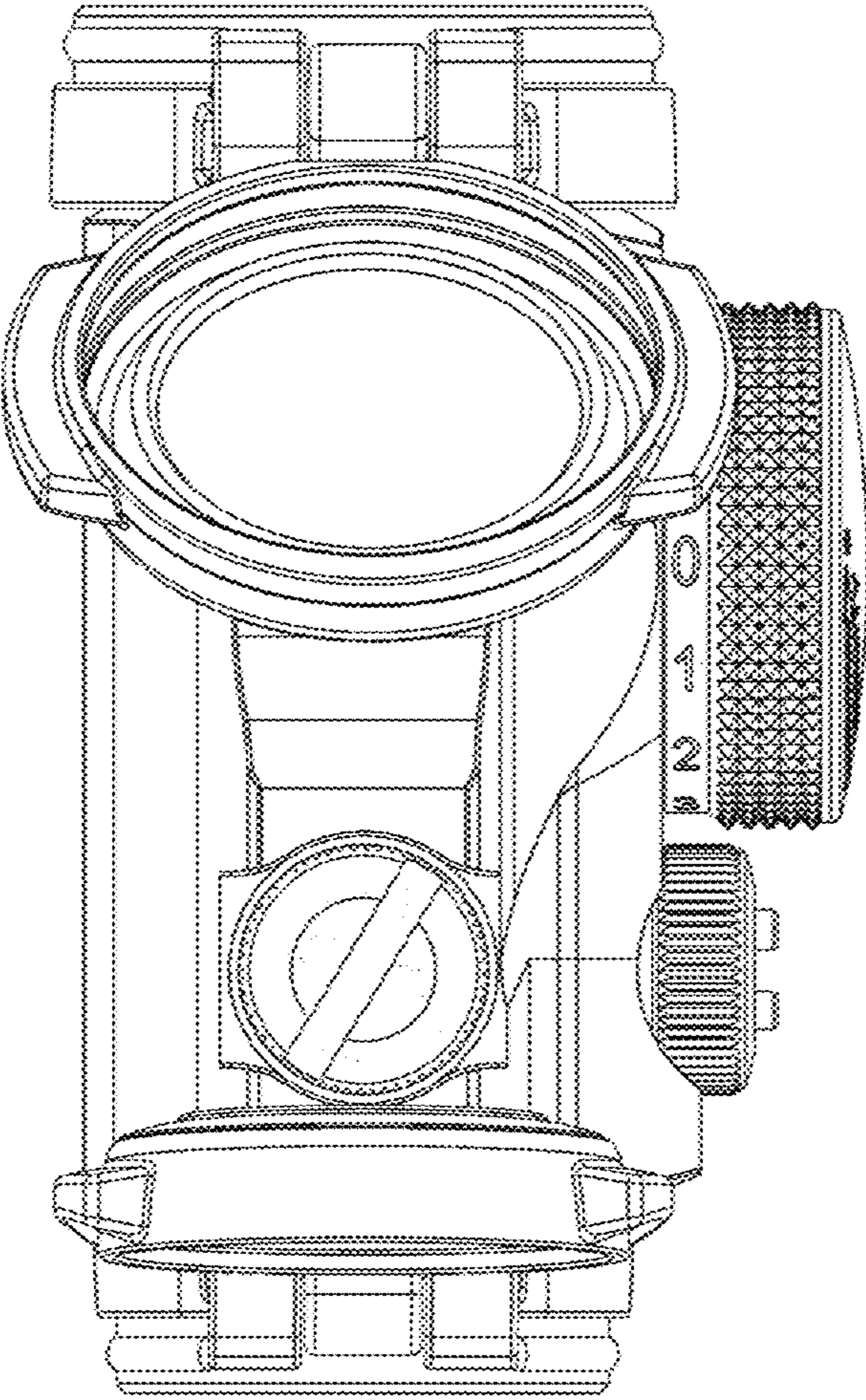


FIG. 13

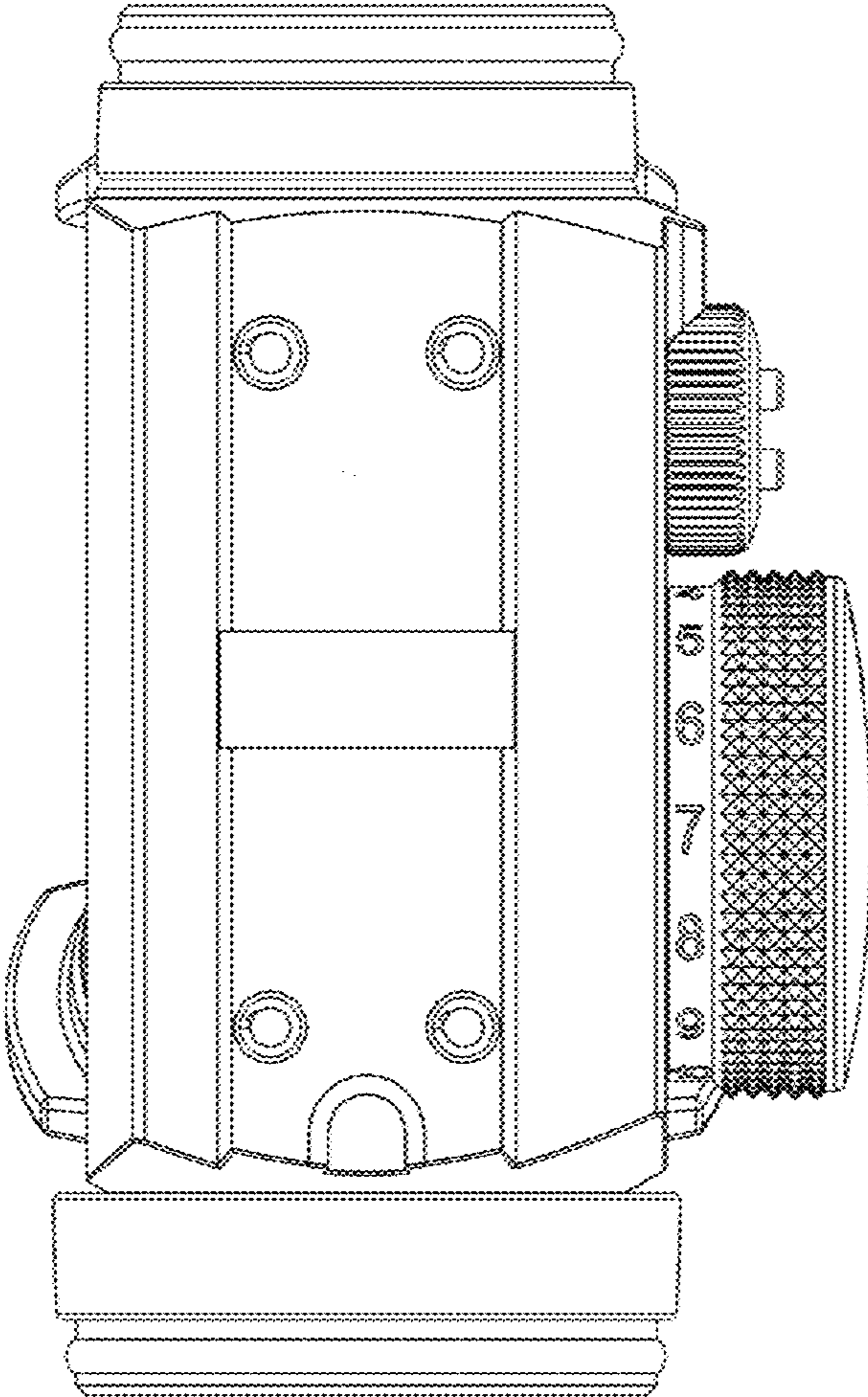


FIG. 14