

US00D752700S

(12) **United States Design Patent**  
**Nevils et al.**

(10) **Patent No.:** **US D752,700 S**  
(45) **Date of Patent:** **\*\* Mar. 29, 2016**

(54) **BATTERY POWERED SIGHT SET FOR HANDGUN**

*Primary Examiner* — Michael A Pratt  
(74) *Attorney, Agent, or Firm* — James L. Jackson

(71) Applicants: **Jacques A. Nevils**, McKinney, TX (US);  
**Chance Giannelli**, Hope Mills, NC (US);  
**John W. Kieckhefer**, Prescott, AZ (US);  
**Harrison Tobin**, Flower Mound, TX (US)

(57) **CLAIM**  
The ornamental design for battery powered sight set for handgun, as shown and described.

(72) Inventors: **Jacques A. Nevils**, McKinney, TX (US);  
**Chance Giannelli**, Hope Mills, NC (US);  
**John W. Kieckhefer**, Prescott, AZ (US);  
**Harrison Tobin**, Flower Mound, TX (US)

**DESCRIPTION**

(\*\*) Term: **14 Years**

FIG. 1 is an isometric illustration showing the rear, upper and right side portions of the rear firearm sight of our new ornamental design, with a handgun member to which the rear firearm sight is mounted being shown in dash lines and not being a part of our new ornamental design;

(21) Appl. No.: **29/499,188**

FIG. 2 is an isometric illustration also showing the rear, upper and right side portions of the rear and front firearm sights of our new ornamental design being mounted to a handgun slide member shown in dash lines;

(22) Filed: **Aug. 12, 2014**

FIG. 3 is a rear elevation view of the front and rear sights thereof as visualized by a handgun user and showing a handgun slide member in dash lines;

(51) **LOC (10) Cl.** ..... **22-01**

(52) **U.S. Cl.**  
USPC ..... **D22/109**

FIG. 4 is an isometric illustration showing the top, front and right sides of the rear and front sights thereof;

(58) **Field of Classification Search**  
USPC ..... D22/109

CPC ..... F41G 11/003; F41G 1/00; F41G 1/16;  
F41G 1/345

See application file for complete search history.

FIG. 5 is an isometric illustration showing the top, rear and left sides of the rear sight thereof;

FIG. 6 is a bottom view of the rear sight thereof;

(56) **References Cited**

**U.S. PATENT DOCUMENTS**

6,434,875 B1 *	8/2002	Constant	.....	F41A 15/16 42/70.11
D663,375 S *	7/2012	Glimpse	.....	D22/109
D706,380 S *	6/2014	Gardiner	.....	D22/109
D732,630 S *	6/2015	Nevils	.....	D22/109

FIG. 7 is an isometric illustration showing the top, rear and right side of the front sight thereof;

FIG. 8 is an isometric illustration showing the right side and mounting member of the front sight thereof;

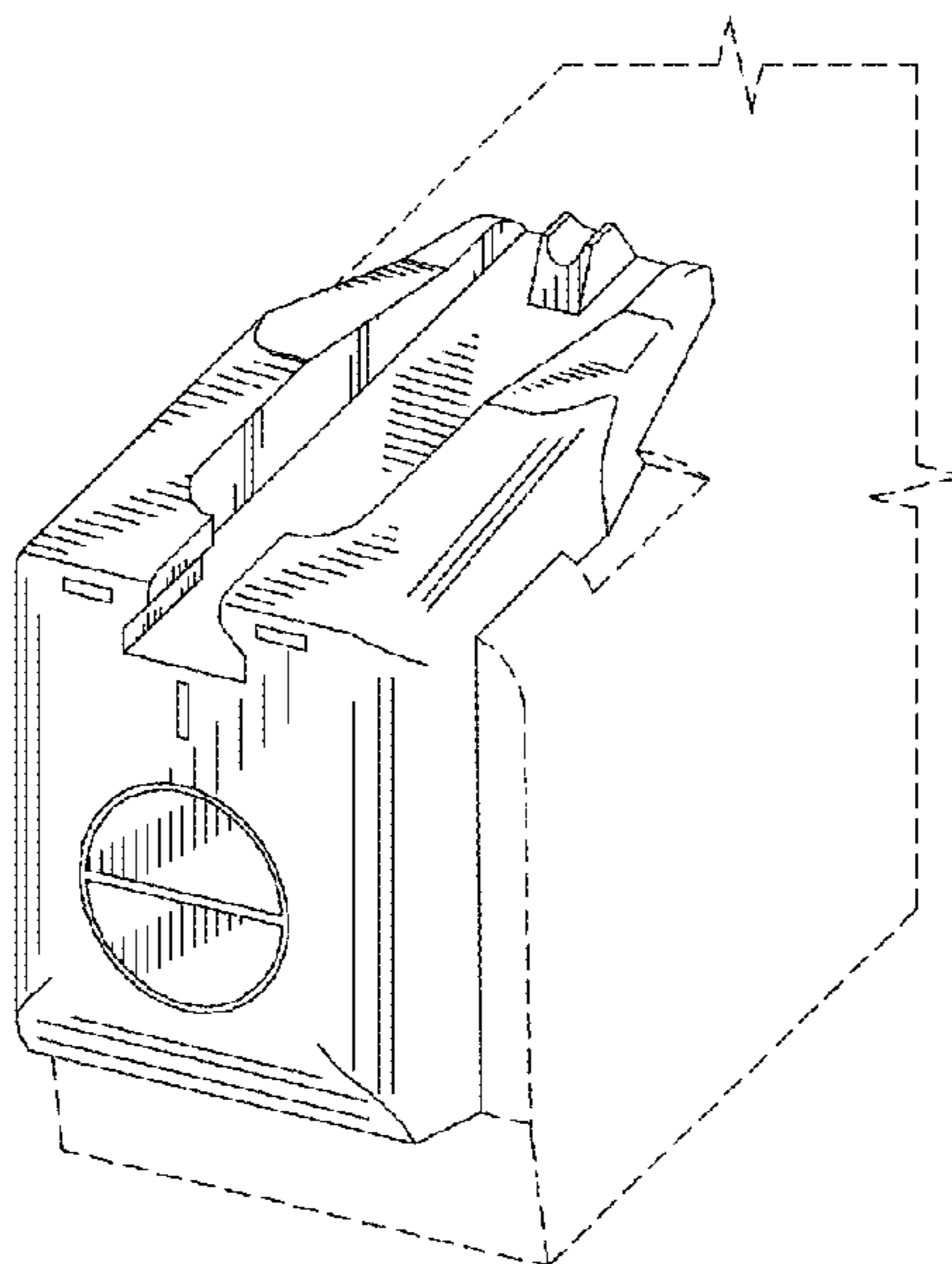
FIG. 9 is a side elevation view showing the right side of the front sight thereof;

FIG. 10 is a front elevation view of the front sight of our new ornamental design; and,

FIG. 11 is a side elevation view showing the left side of the front sight thereof.

\* cited by examiner

**1 Claim, 5 Drawing Sheets**



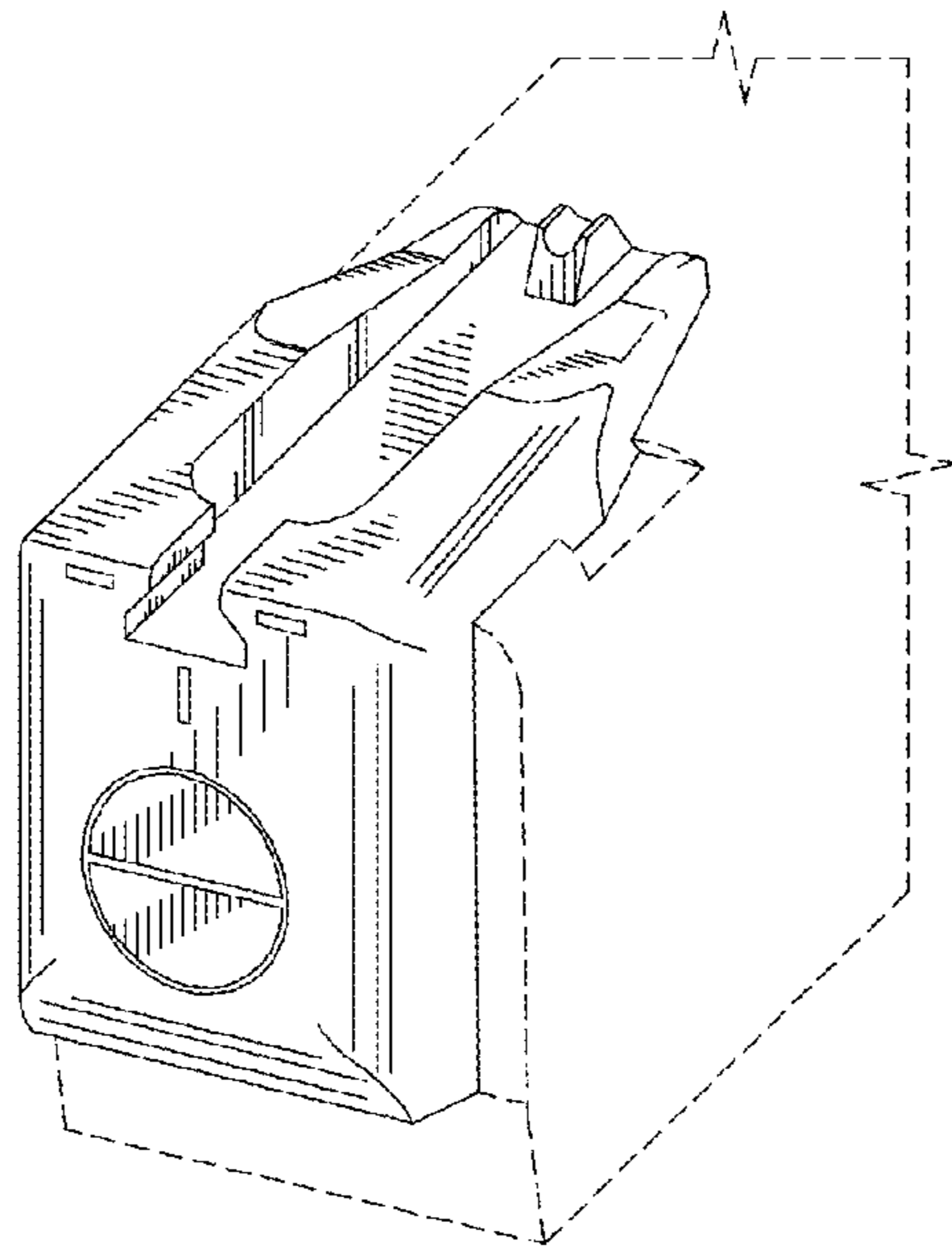


FIG. 1

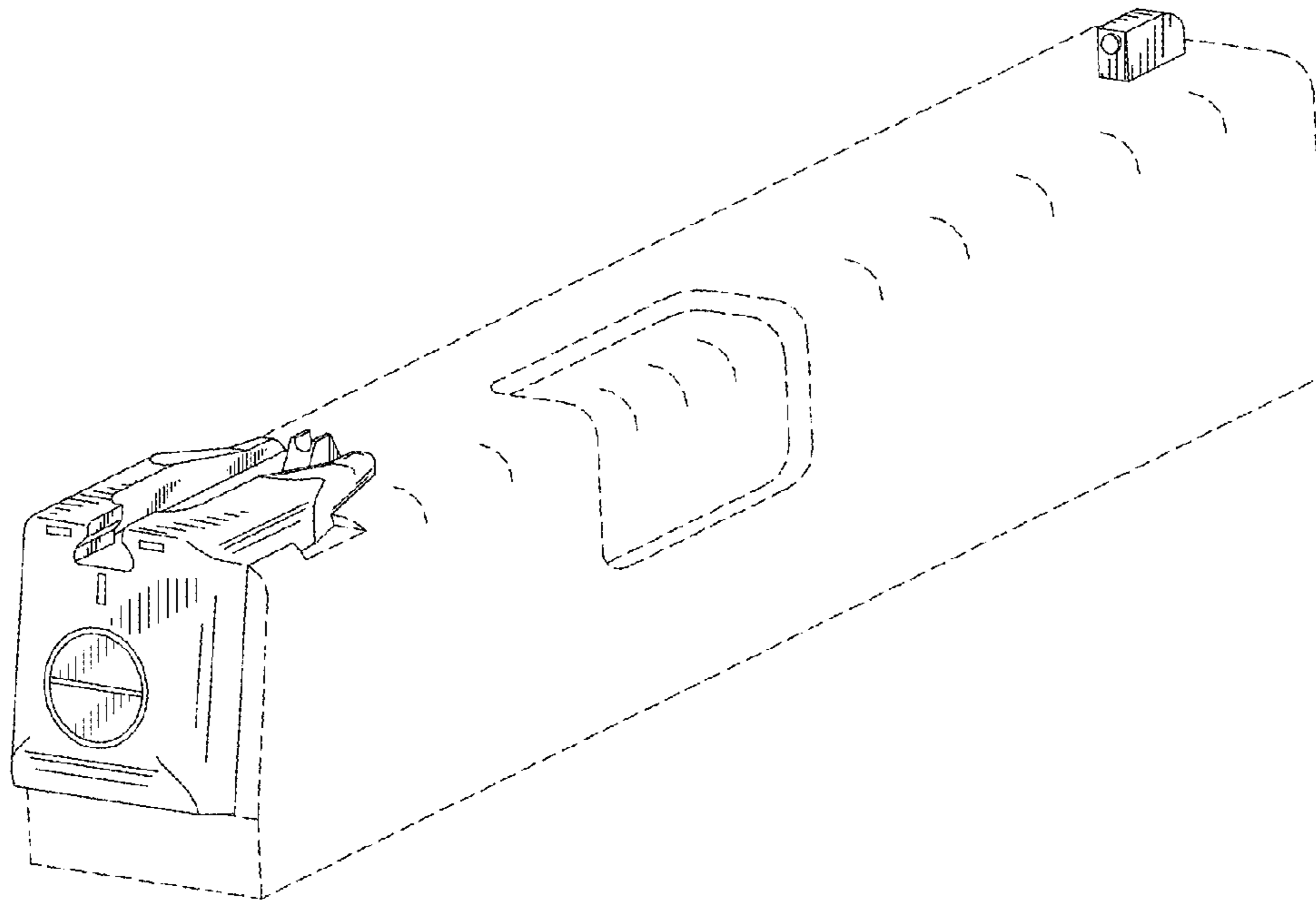


FIG. 2

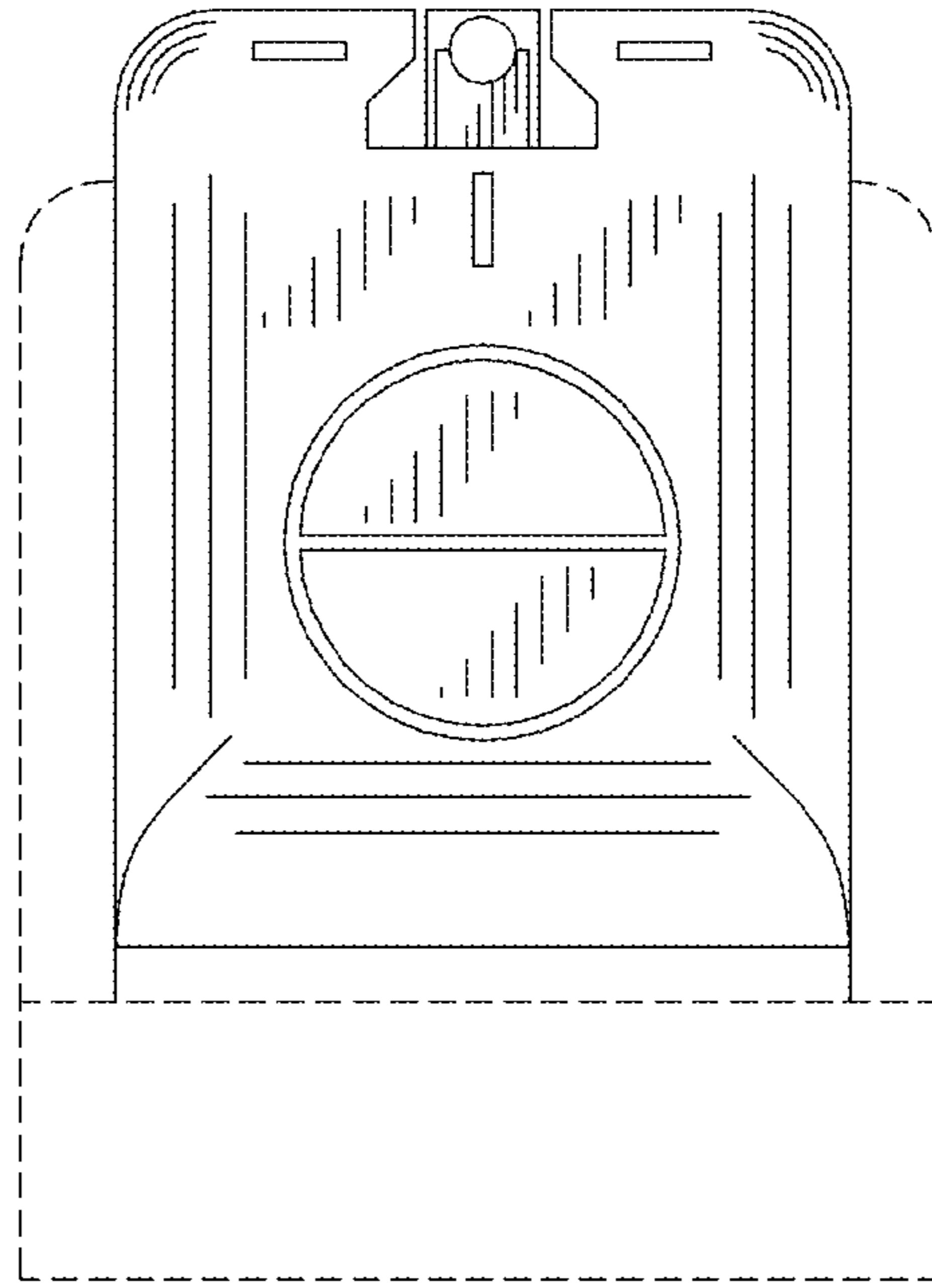


FIG. 3

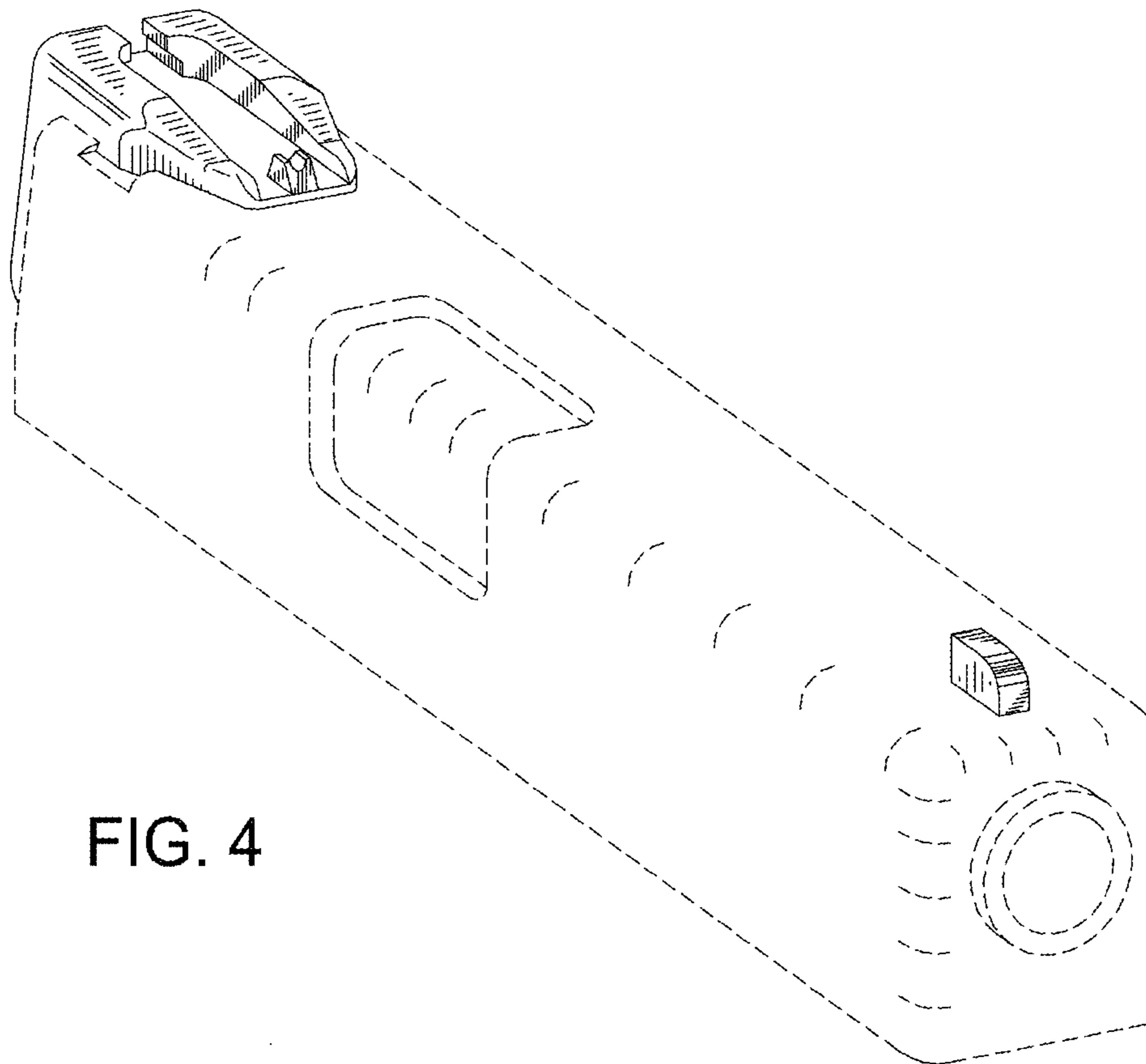


FIG. 4

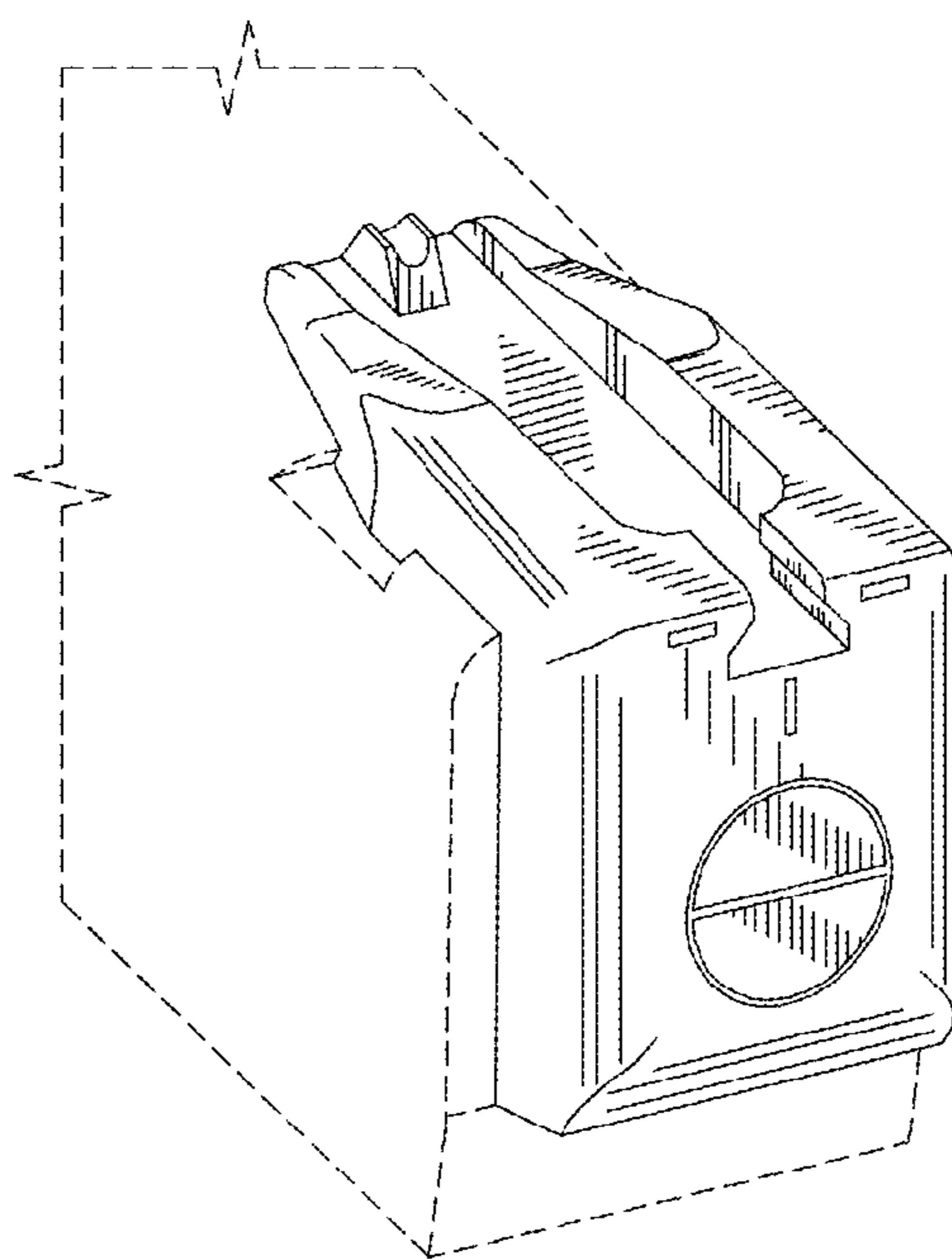


FIG. 5

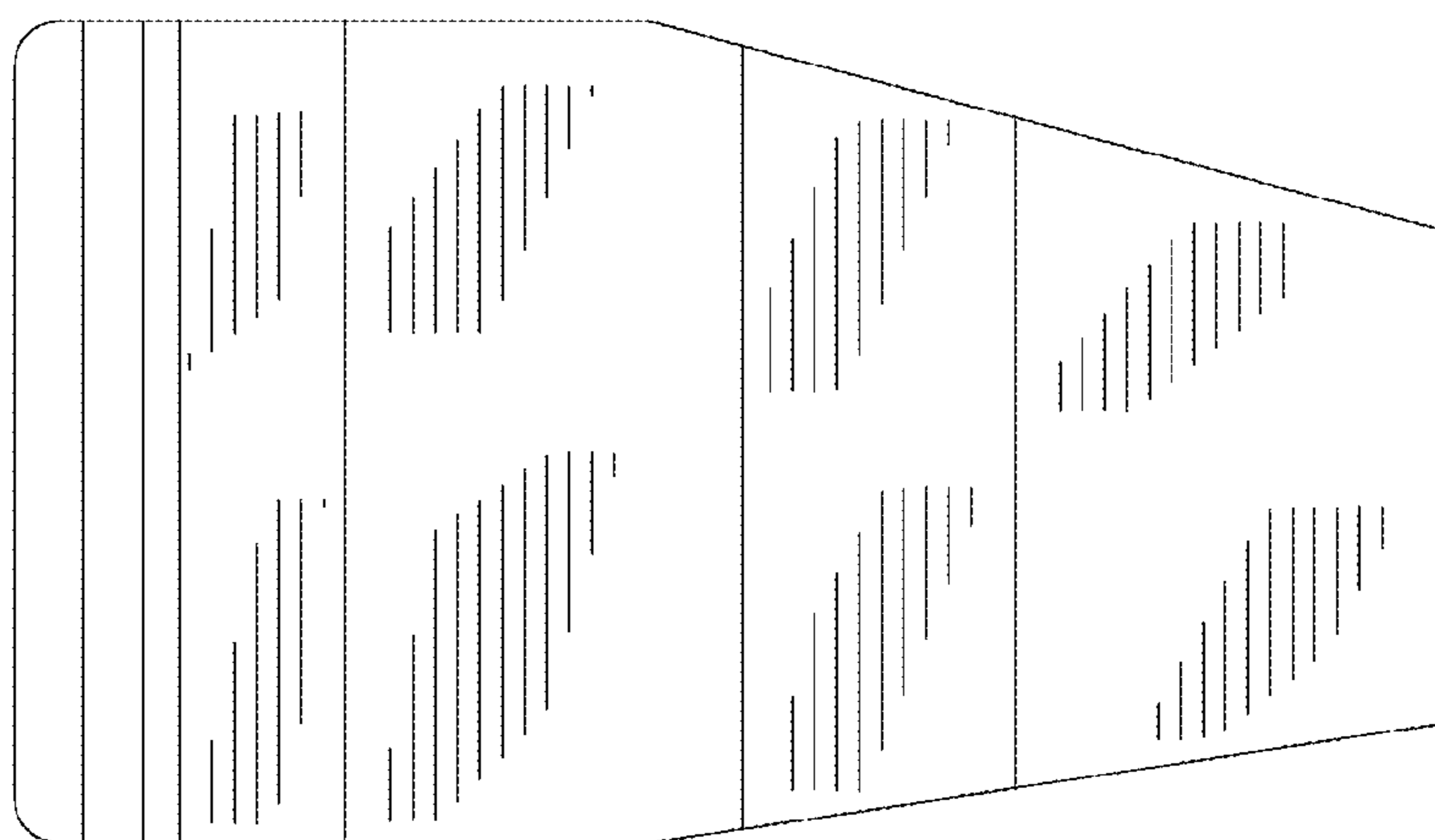


FIG. 6

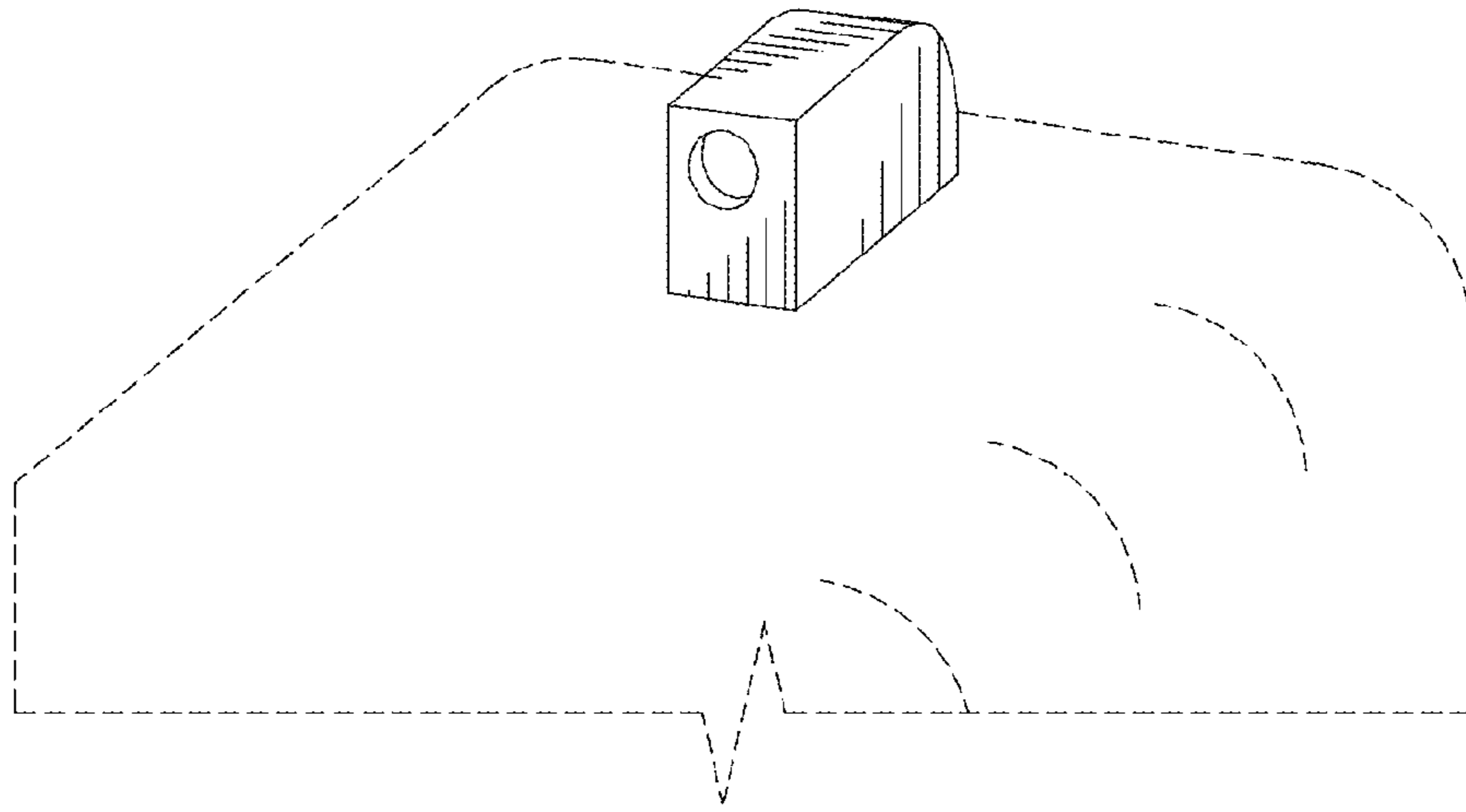


FIG. 7

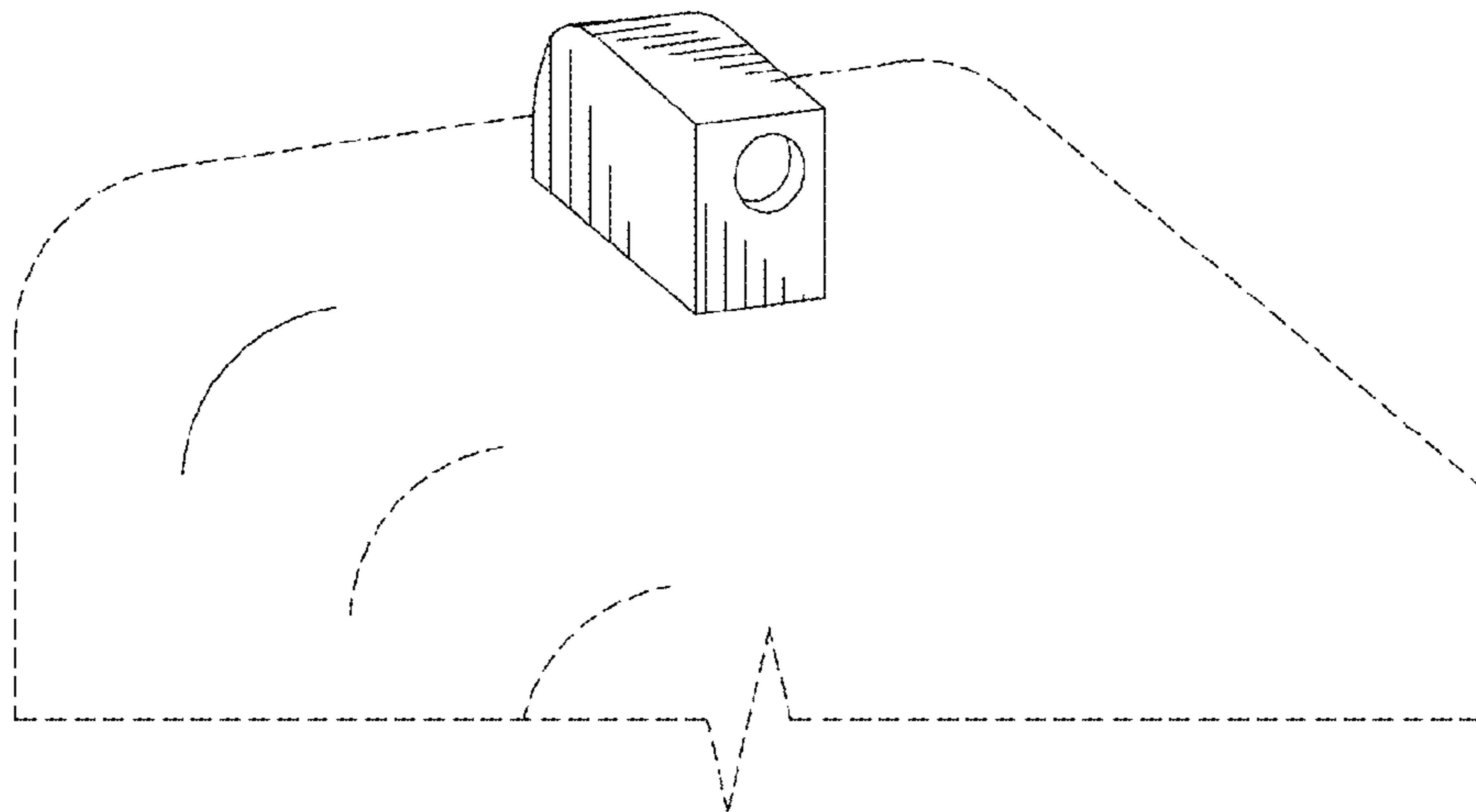


FIG. 8

FIG. 9

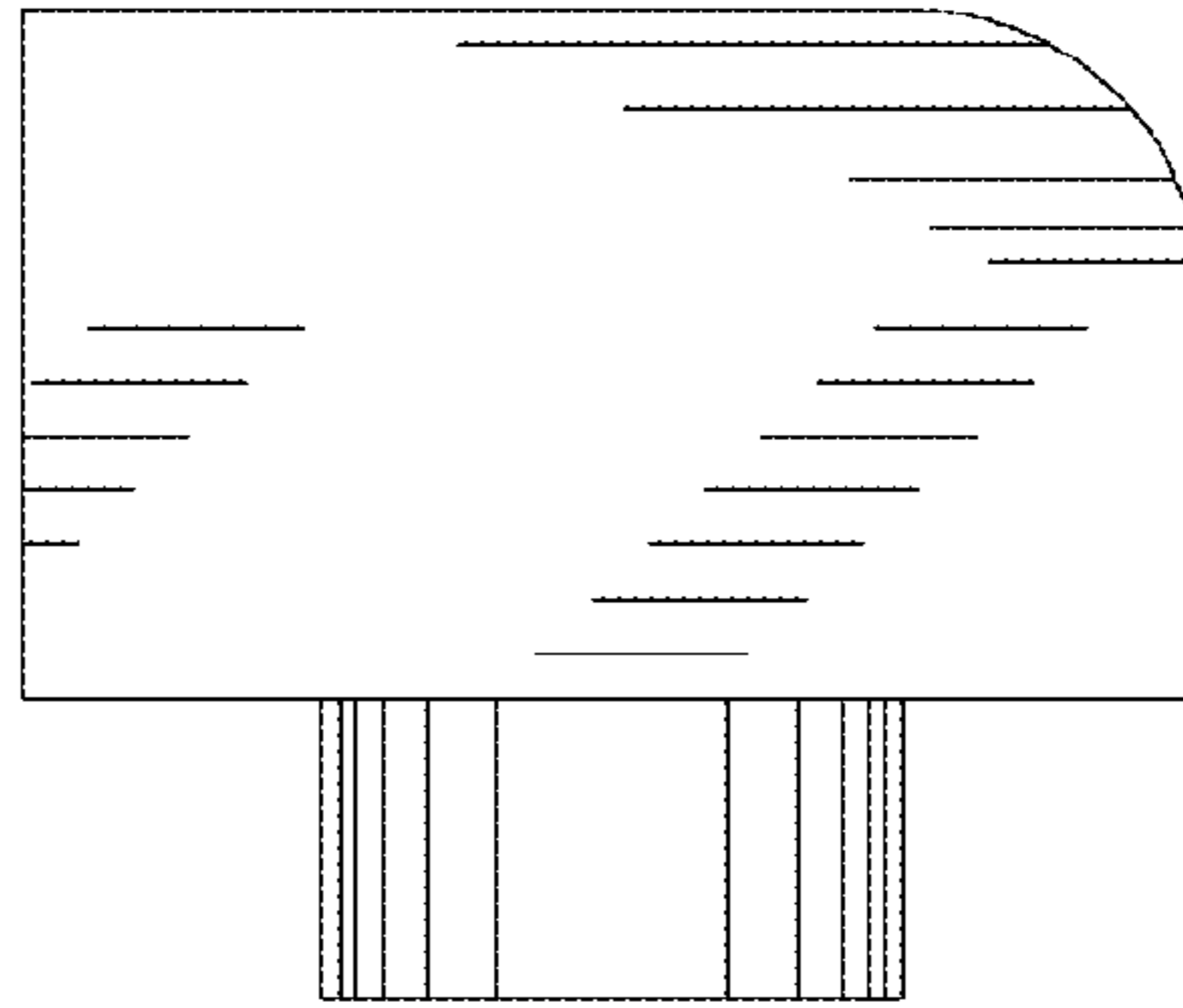


FIG. 10

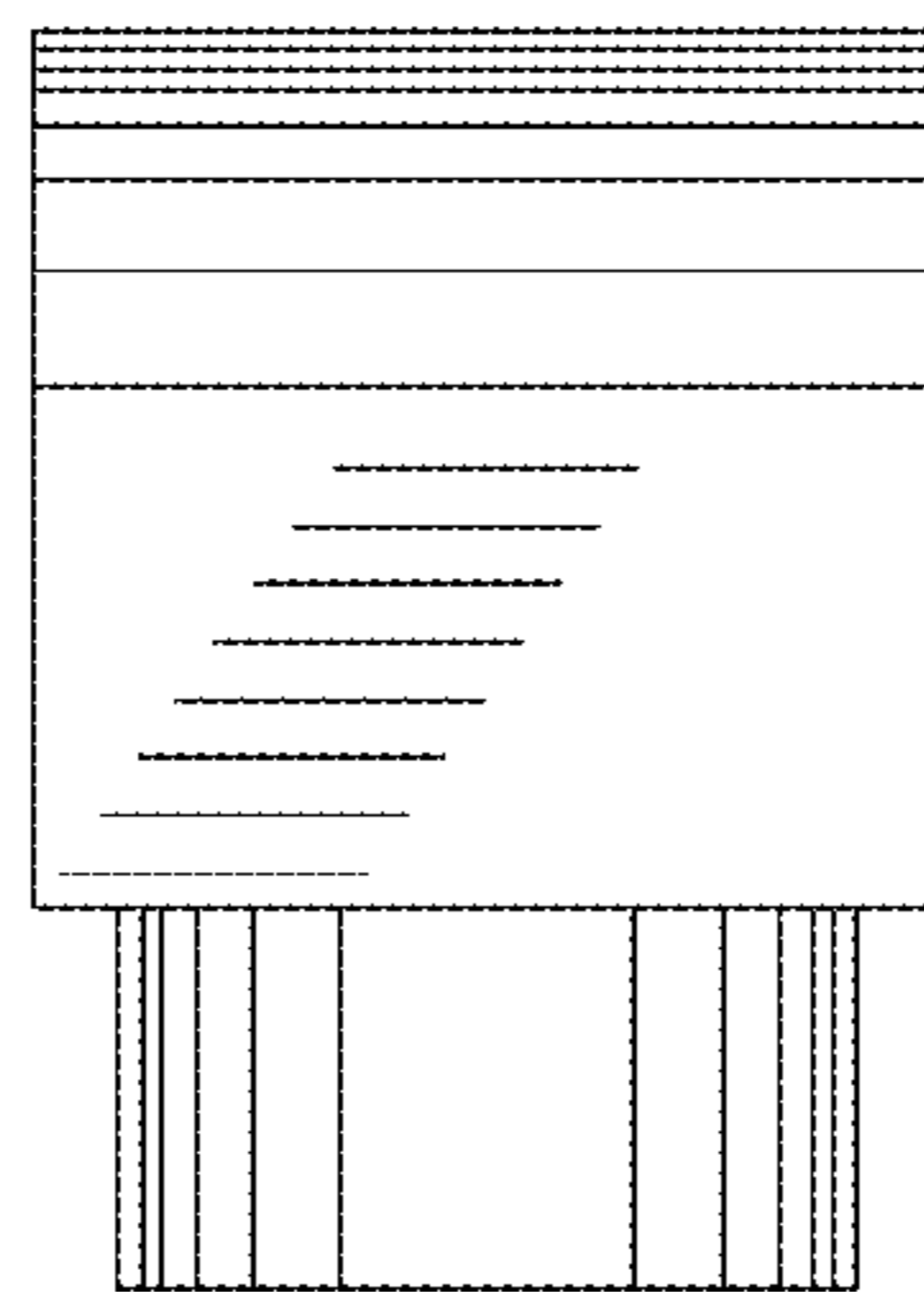


FIG. 11

