



US00D752699S

(12) **United States Design Patent**
Coffman

(10) **Patent No.:** **US D752,699 S**
(45) **Date of Patent:** **** Mar. 29, 2016**

(54) **ATTACHABLE SIGHT FOR FIREARMS**

(56) **References Cited**

(71) Applicant: **Douglas B. Coffman**, Oklahoma City, OK (US)

U.S. PATENT DOCUMENTS

(72) Inventor: **Douglas B. Coffman**, Oklahoma City, OK (US)

2,355,920	A	8/1944	Marston	
3,037,288	A	6/1962	Detrich et al.	
4,249,315	A	2/1981	Hopson, III	
4,286,496	A *	9/1981	Harris	411/441
D297,708	S *	9/1988	McCoy	D8/385
D525,997	S	8/2006	Hoshi	
2003/0131517	A1	7/2003	Paige	
2005/0252124	A1 *	11/2005	Bergman	52/296
2011/0235346	A1	9/2011	Fridley	
2013/0247504	A1 *	9/2013	Pelc et al.	52/704
2014/0017026	A1 *	1/2014	Cheng	411/108
2014/0133904	A1 *	5/2014	Somerfield	403/350

(**) Term: **14 Years**

(21) Appl. No.: **29/481,610**

(22) Filed: **Feb. 7, 2014**

Related U.S. Application Data

(63) Continuation of application No. 13/602,692, filed on Sep. 4, 2012, now abandoned.

(51) **LOC (10) Cl.** **22-01**

(52) **U.S. Cl.**
USPC **D22/109**

(58) **Field of Classification Search**
USPC D22/108-109; 89/111-113; 359/399, 359/823, 744; 42/104, 105, 111-113, 116, 42/120, 124-126, 127-129, 141-148, 42/133-140; 33/227, 229

CPC F41G 1/00; F41G 1/01; F41G 1/02; F41G 1/06; F41G 1/065; F41G 1/08; F41G 1/10; F41G 1/12; F41G 1/14; F41G 1/30; F41G 1/32; F41G 1/38; F41G 1/40; F41G 1/42; F41G 1/44; F41G 1/46; F41G 1/383; F41G 1/387; F41G 1/393; F41G 3/00; F41G 3/005; F41G 3/02; F41G 3/04; F41G 3/06; F41G 3/14; F41G 11/002; F41G 11/003; F41G 11/004; F41G 11/005

See application file for complete search history.

OTHER PUBLICATIONS

Elite Hero Bushnell Magnetic Bore-sighter 740001C Scope Hunting. http://www.sears.com/shc/s/p_10153_12605_SPM5822362703P?sid=IDx20101019x00001a&ci_src=14110944&ci_sku=SPM5822362703.

* cited by examiner

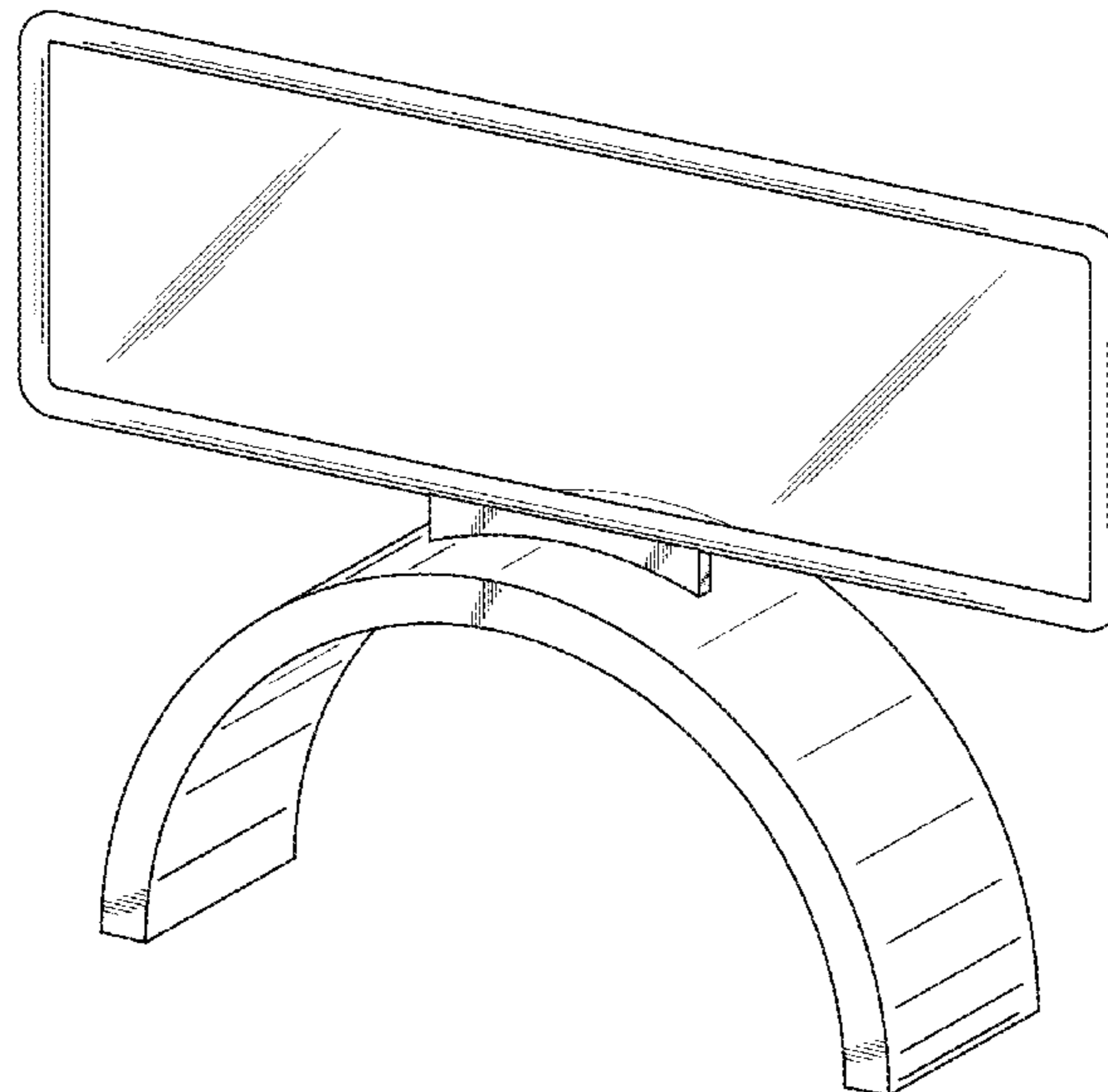
Primary Examiner — Michael A Pratt
(74) *Attorney, Agent, or Firm* — Robert C. Montgomery; Montgomery Patent & Design LLC

(57) **CLAIM**
The ornamental design for an attachable sight for firearms, as shown and described.

DESCRIPTION

FIG. 1 is a perspective view of an attachable sight for firearms;
FIG. 2 is a front view thereof, wherein a rear view is a mirror image of the front view;
FIG. 3 is a left-hand side view thereof, wherein a right-hand side view is a mirror image of the left-hand side view;
FIG. 4 is a top view thereof; and,
FIG. 5 is a bottom view thereof.

1 Claim, 5 Drawing Sheets



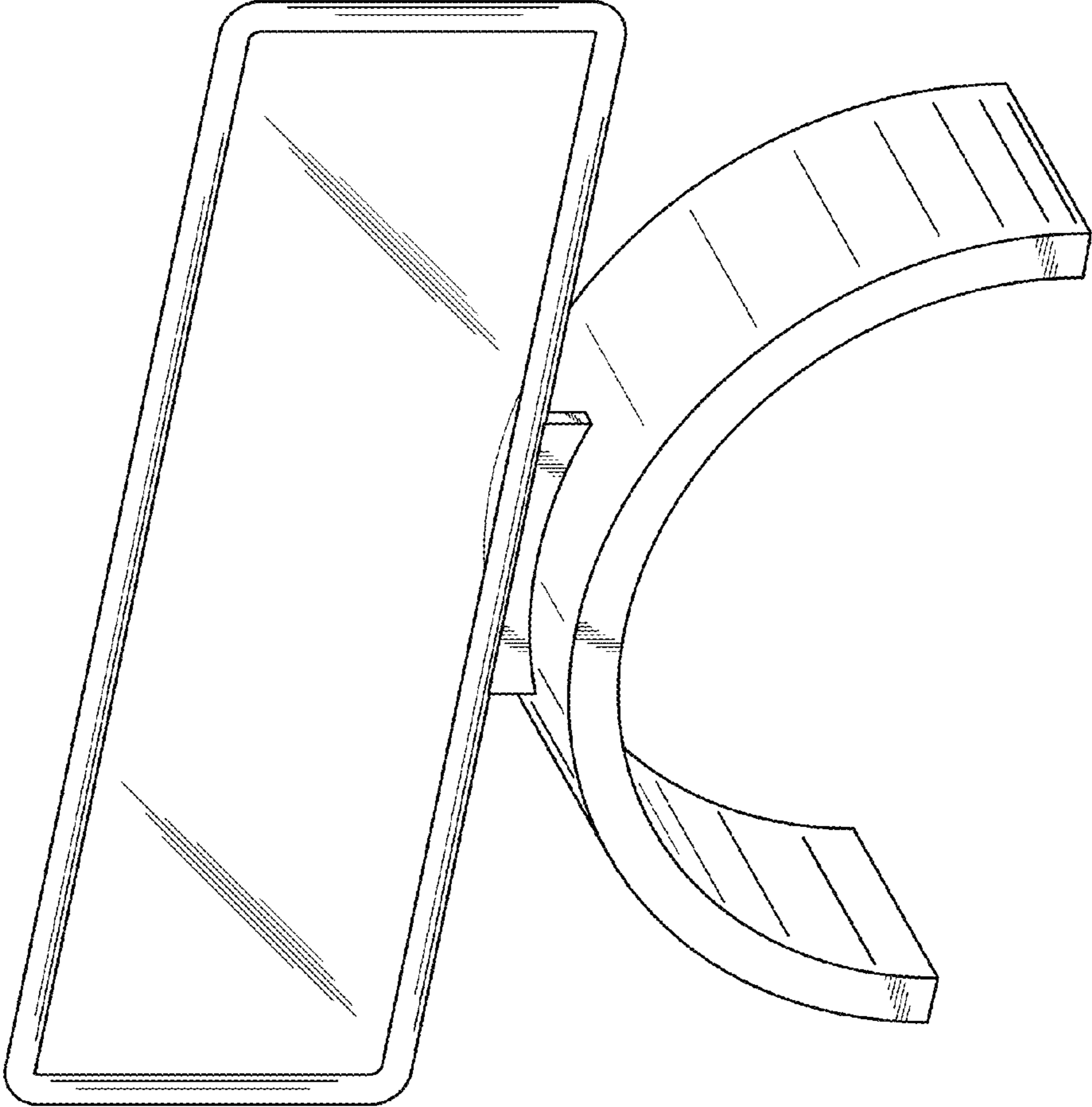


Fig. 1

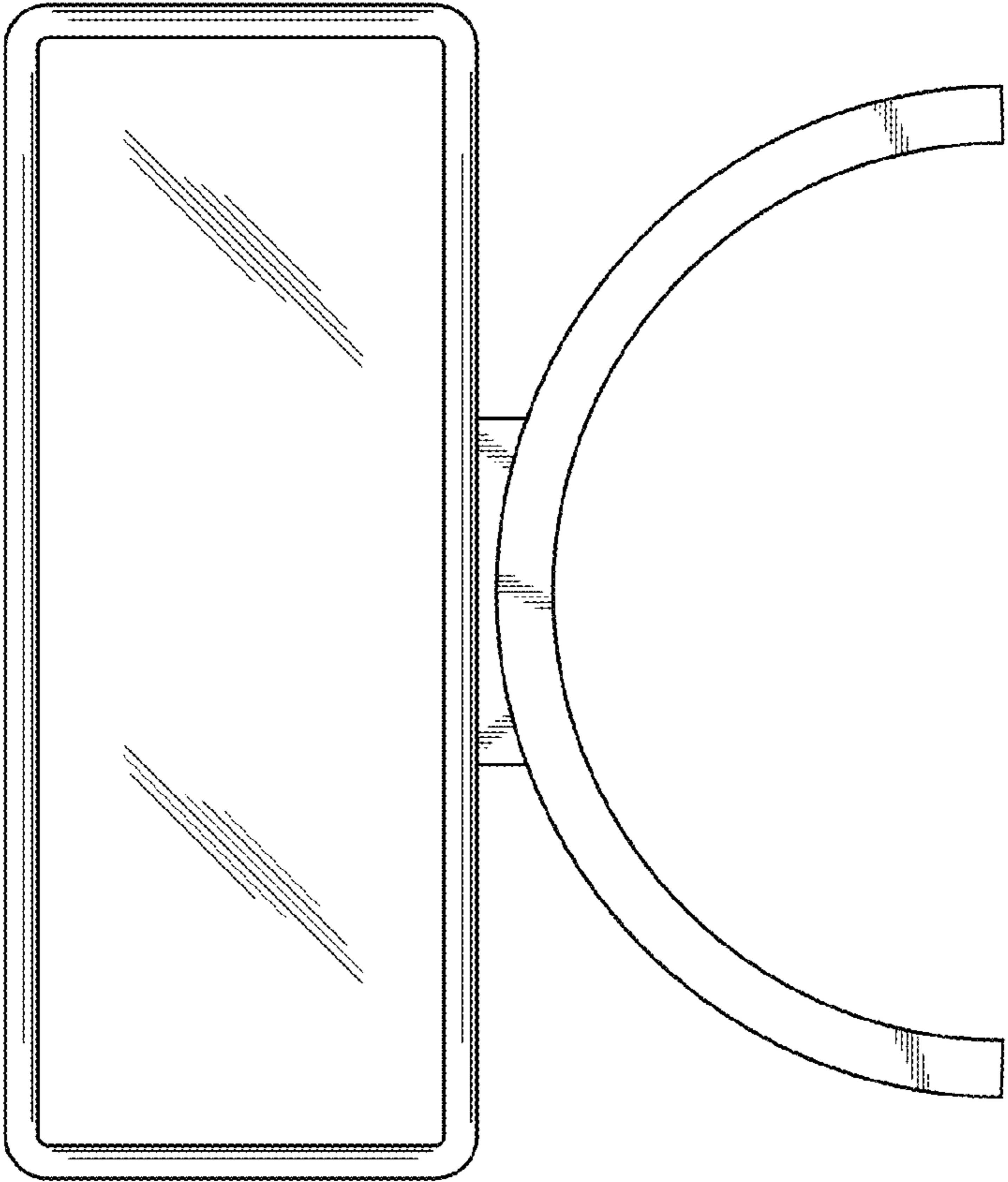


Fig. 2

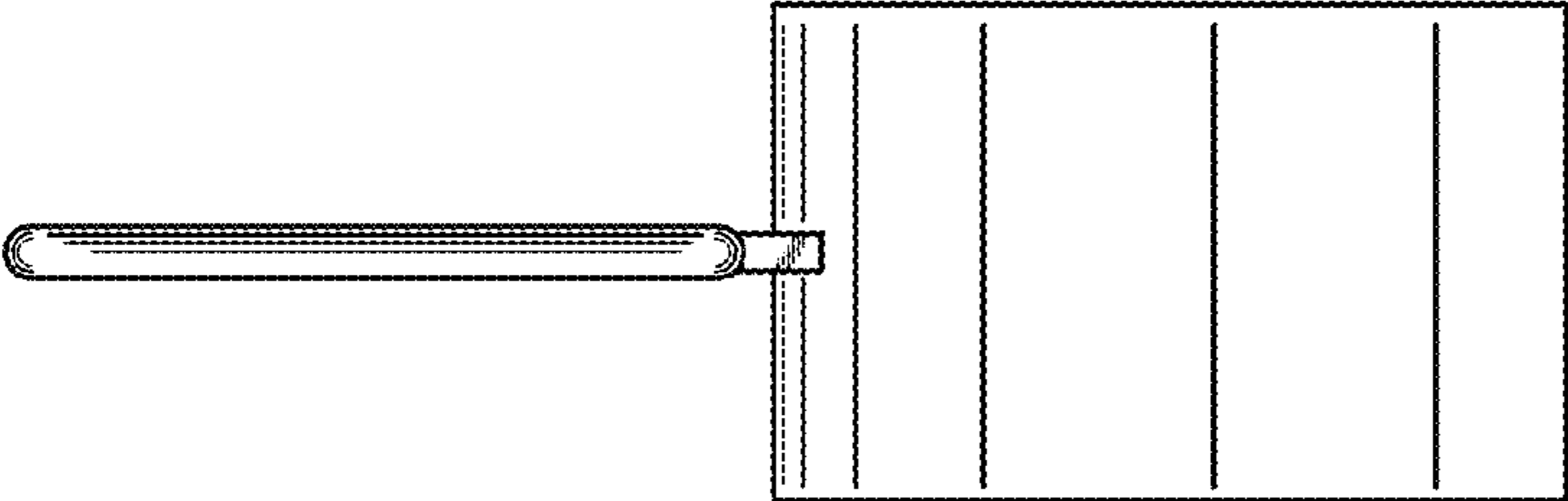


Fig. 3

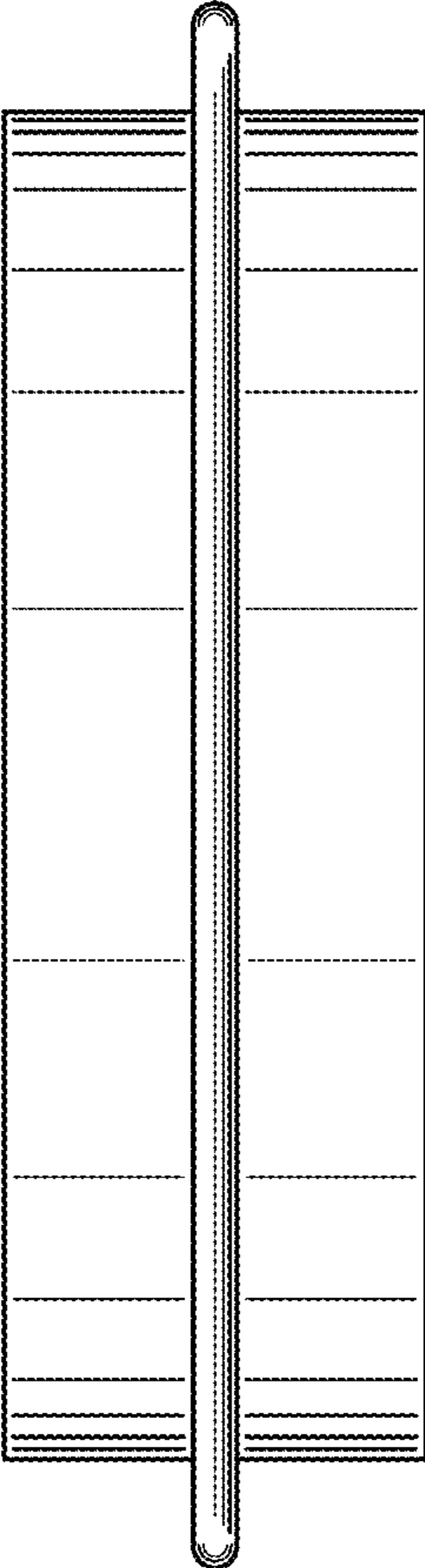


Fig. 4

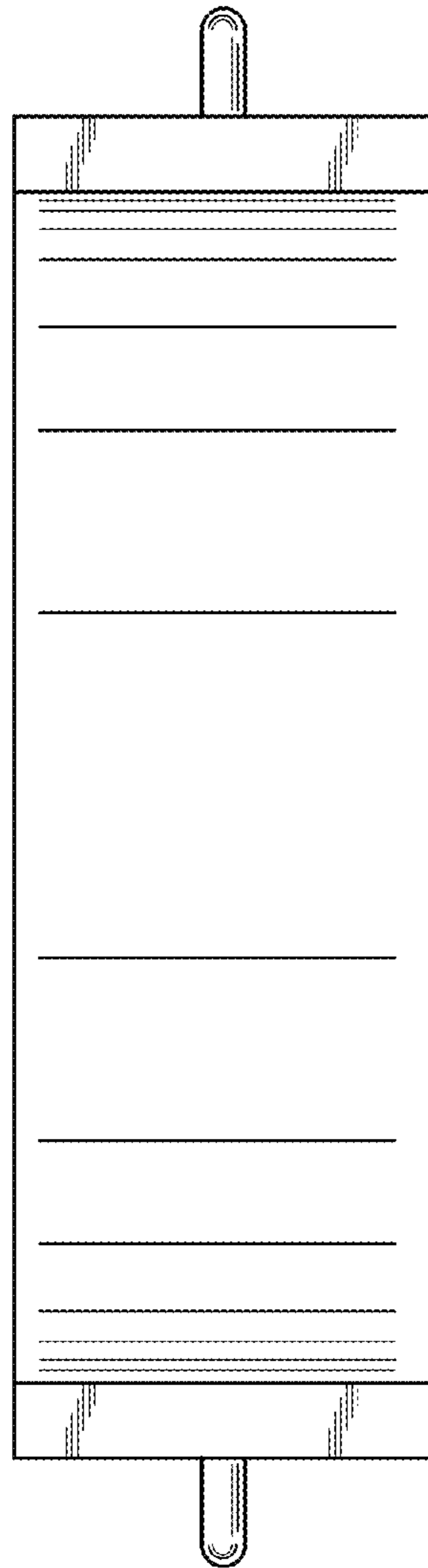


Fig. 5