



US00D752697S

(12) **United States Design Patent**  
**Claveran**

(10) **Patent No.:** **US D752,697 S**  
(45) **Date of Patent:** **\*\* Mar. 29, 2016**

- (54) **ADJUSTABLE GOLF PUTTER**
- (71) Applicant: **Ray C. Claveran**, Sutter Creek, CA (US)
- (72) Inventor: **Ray C. Claveran**, Sutter Creek, CA (US)
- (\*\*) Term: **14 Years**
- (21) Appl. No.: **29/508,657**
- (22) Filed: **Nov. 9, 2014**

5,390,919 A *	2/1995	Stubbs et al.	473/246
5,577,726 A *	11/1996	Fenton	473/305
5,863,257 A *	1/1999	Busnardo	473/246
D607,951 S *	1/2010	Teramoto	D21/736
D633,964 S *	3/2011	Teramoto	D21/743
D655,766 S *	3/2012	Tashiro	D21/736

\* cited by examiner

*Primary Examiner* — Mitchell Siegel  
(74) *Attorney, Agent, or Firm* — John D. Gugliotta

(57) **CLAIM**  
The ornamental design for an adjustable golf putter, as shown and described.

**Related U.S. Application Data**

- (63) Continuation-in-part of application No. 13/988,793, filed on May 22, 2013.
- (51) **LOC (10) Cl.** ..... **21-02**
- (52) **U.S. Cl.**  
USPC ..... **D21/736**
- (58) **Field of Classification Search**  
USPC ..... D21/736-746  
CPC ... A63B 53/0487; A63B 53/065; A63B 53/00  
See application file for complete search history.

**DESCRIPTION**

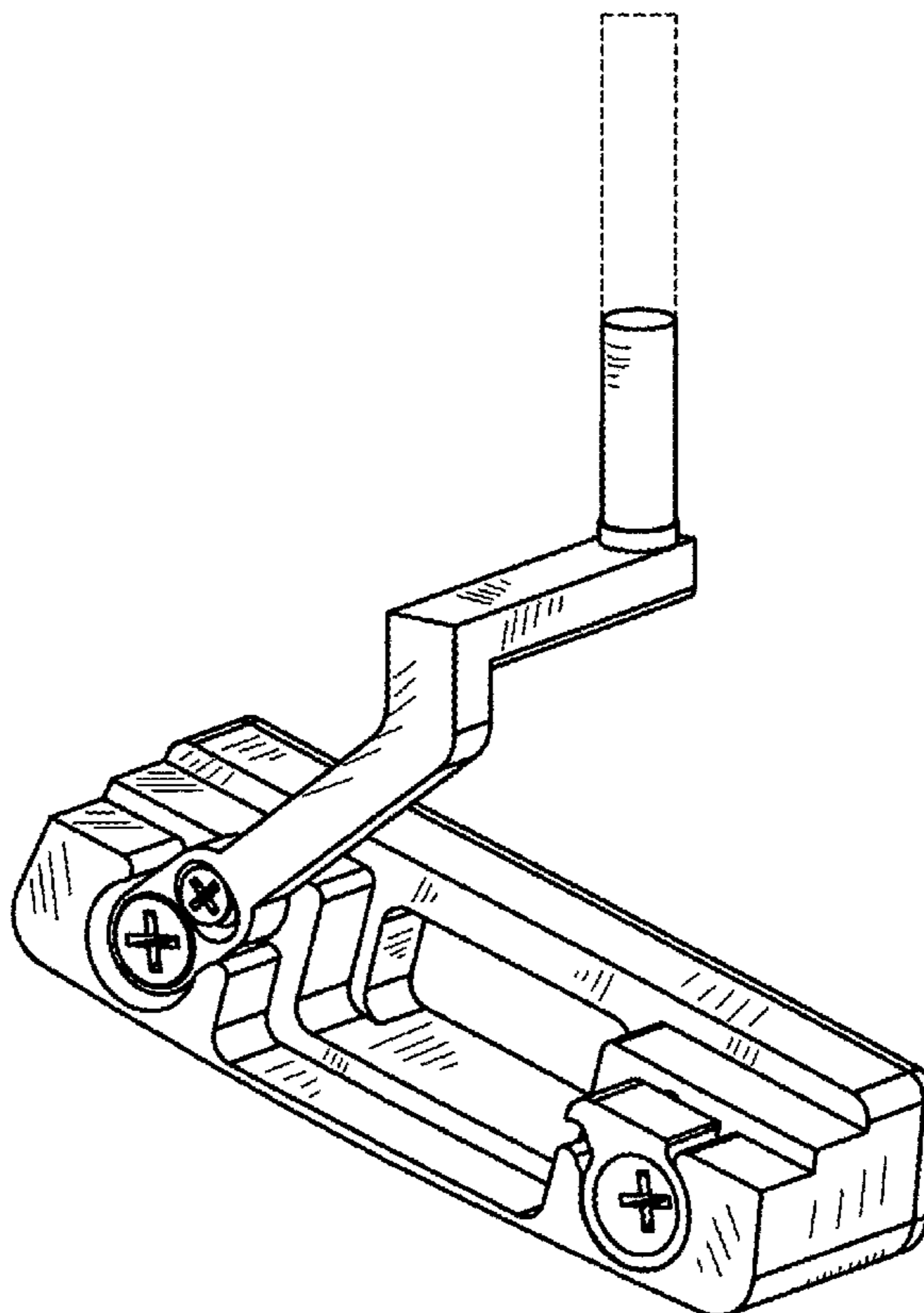
FIG. 1 is a perspective view of a an adjustable golf putter showing our new design;  
FIG. 2 is a rear elevational view thereof;  
FIG. 3 is a front elevational view thereof;  
FIG. 4 is a top plan view thereof;  
FIG. 5 is a bottom plan view thereof;  
FIG. 6 is a left side elevational view thereof;  
FIG. 7 is a right side elevational view; and,  
FIG. 8 an exploded perspective view thereof.  
The broken line showing a portion of a club shaft is included for the purposes of illustrating and forms no part of the claimed design.

(56) **References Cited**

**U.S. PATENT DOCUMENTS**

D248,783 S *	8/1978	Long	D21/741
4,736,951 A *	4/1988	Grant	473/246

**1 Claim, 8 Drawing Sheets**



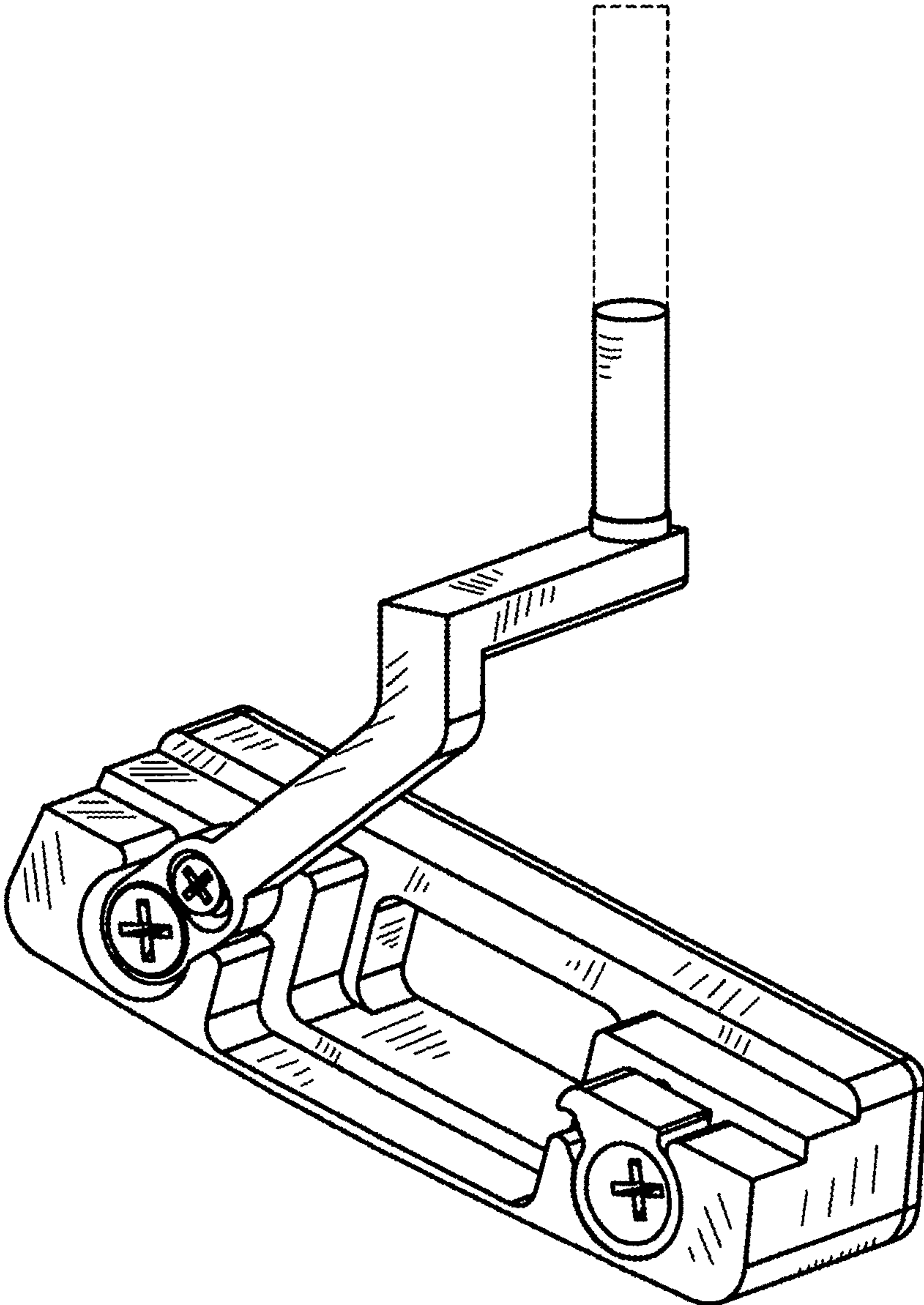


Fig. 1

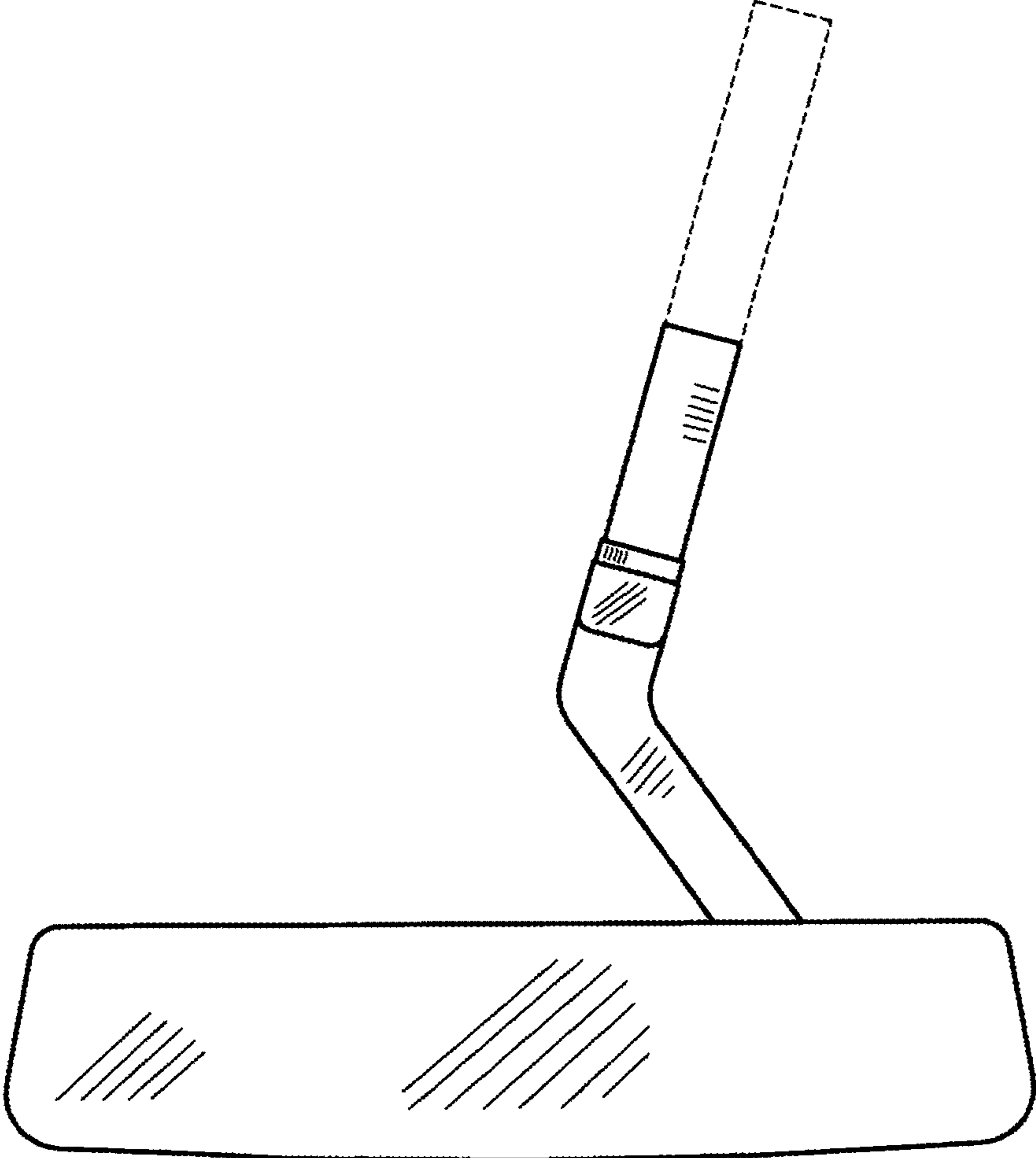


Fig. 2

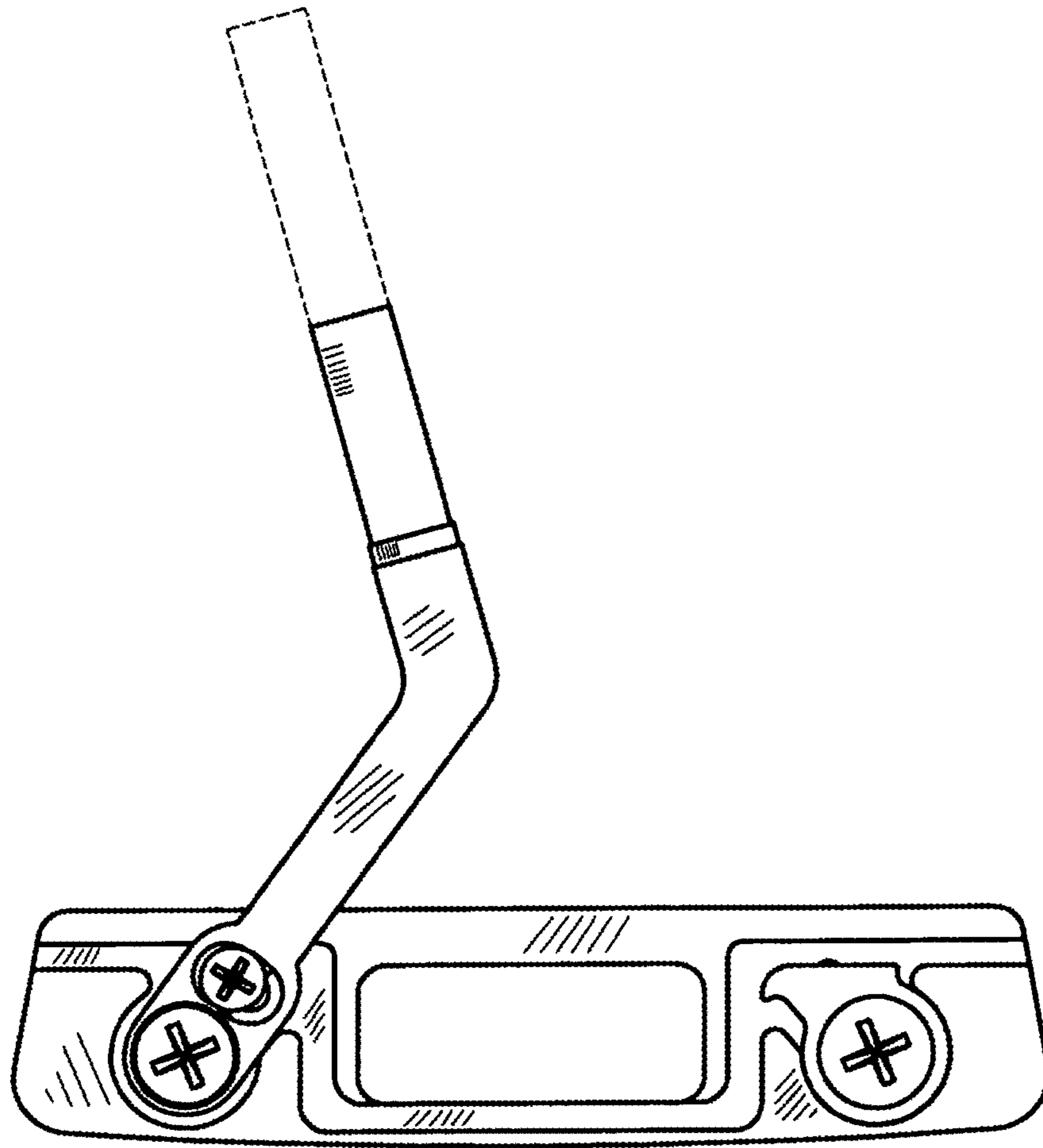


Fig. 3

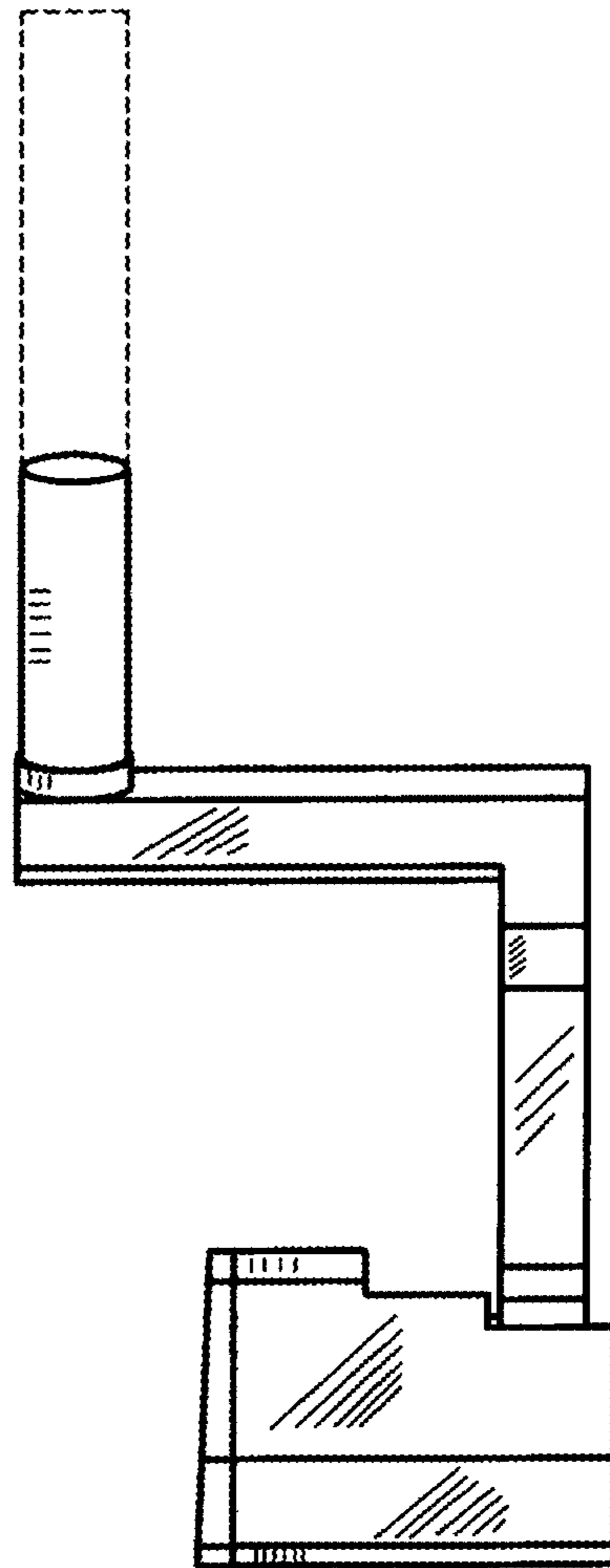


Fig. 4

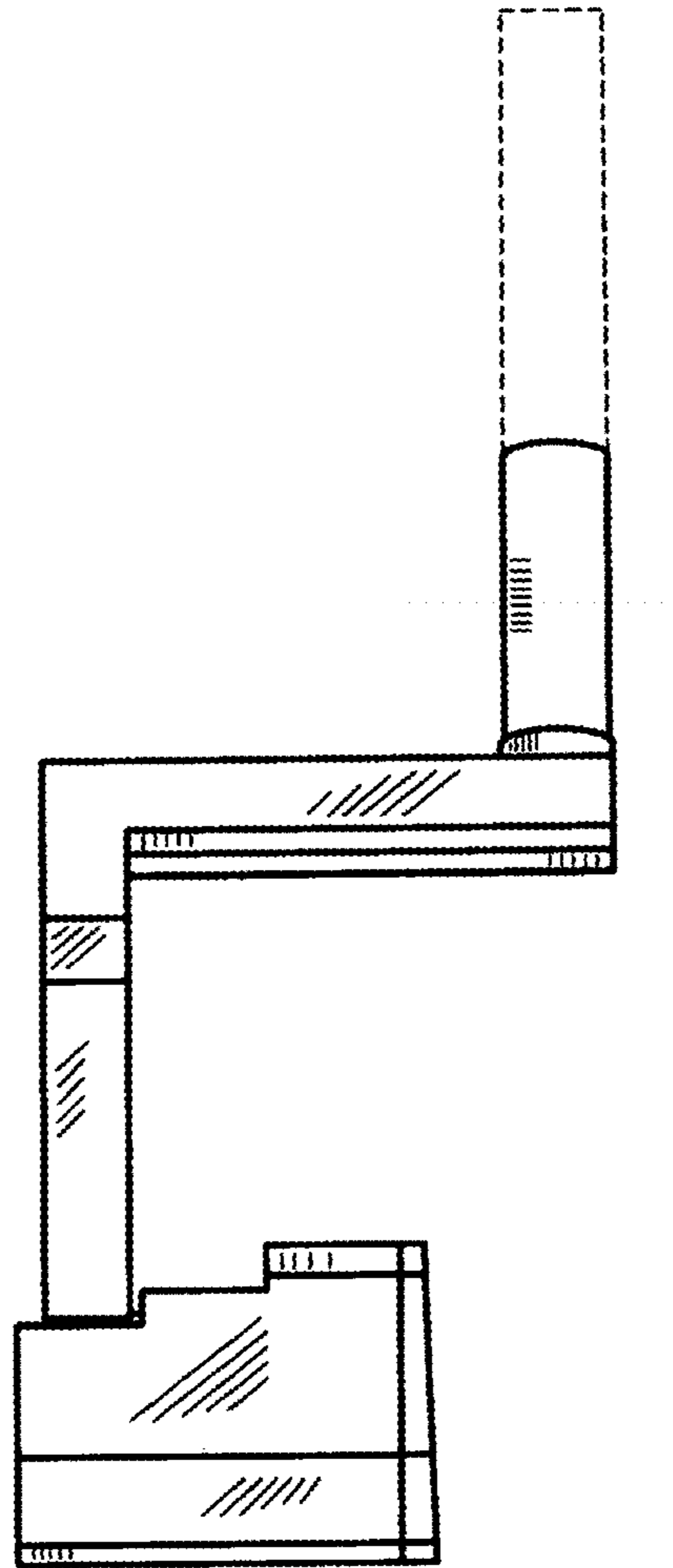


Fig. 5

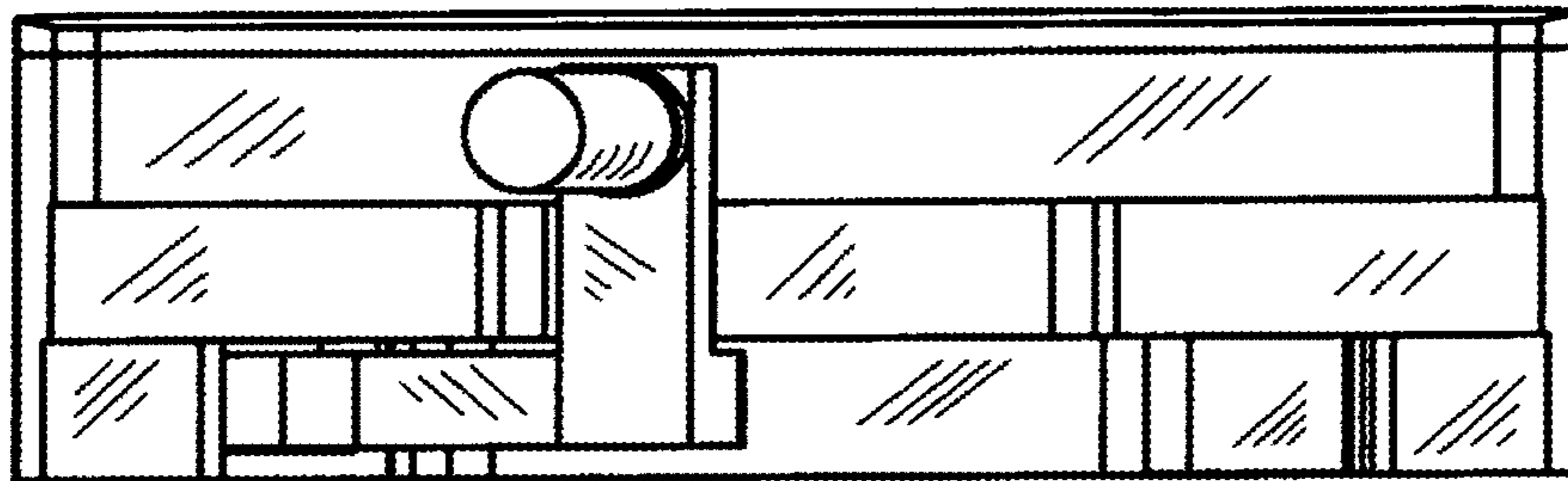


Fig. 6

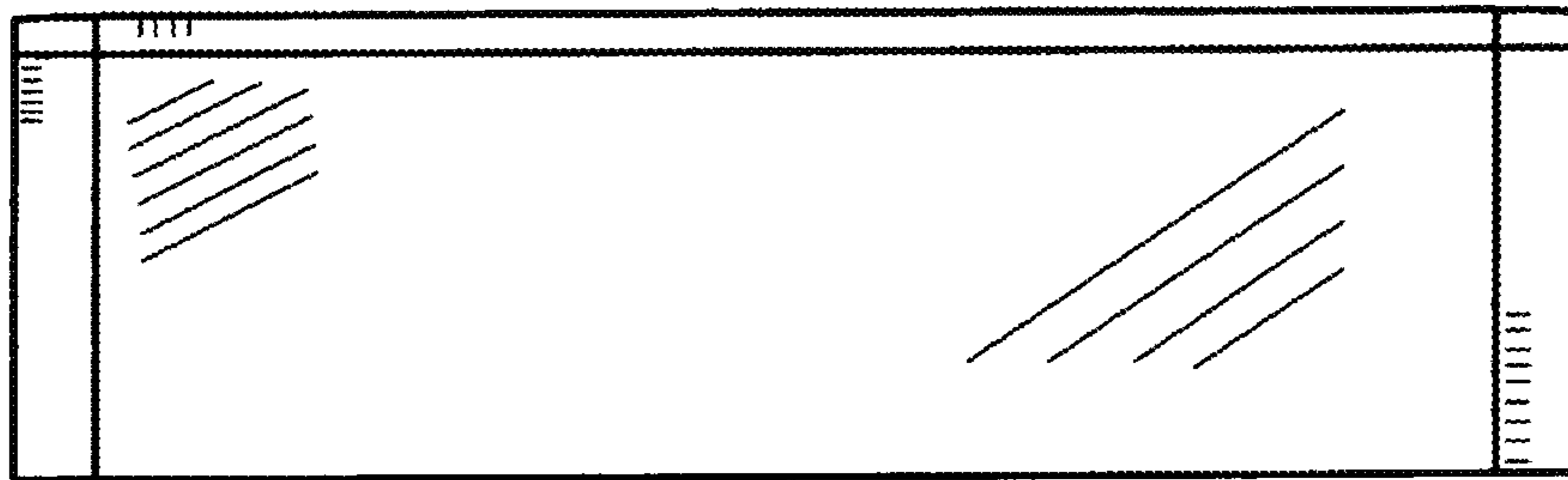


Fig. 7



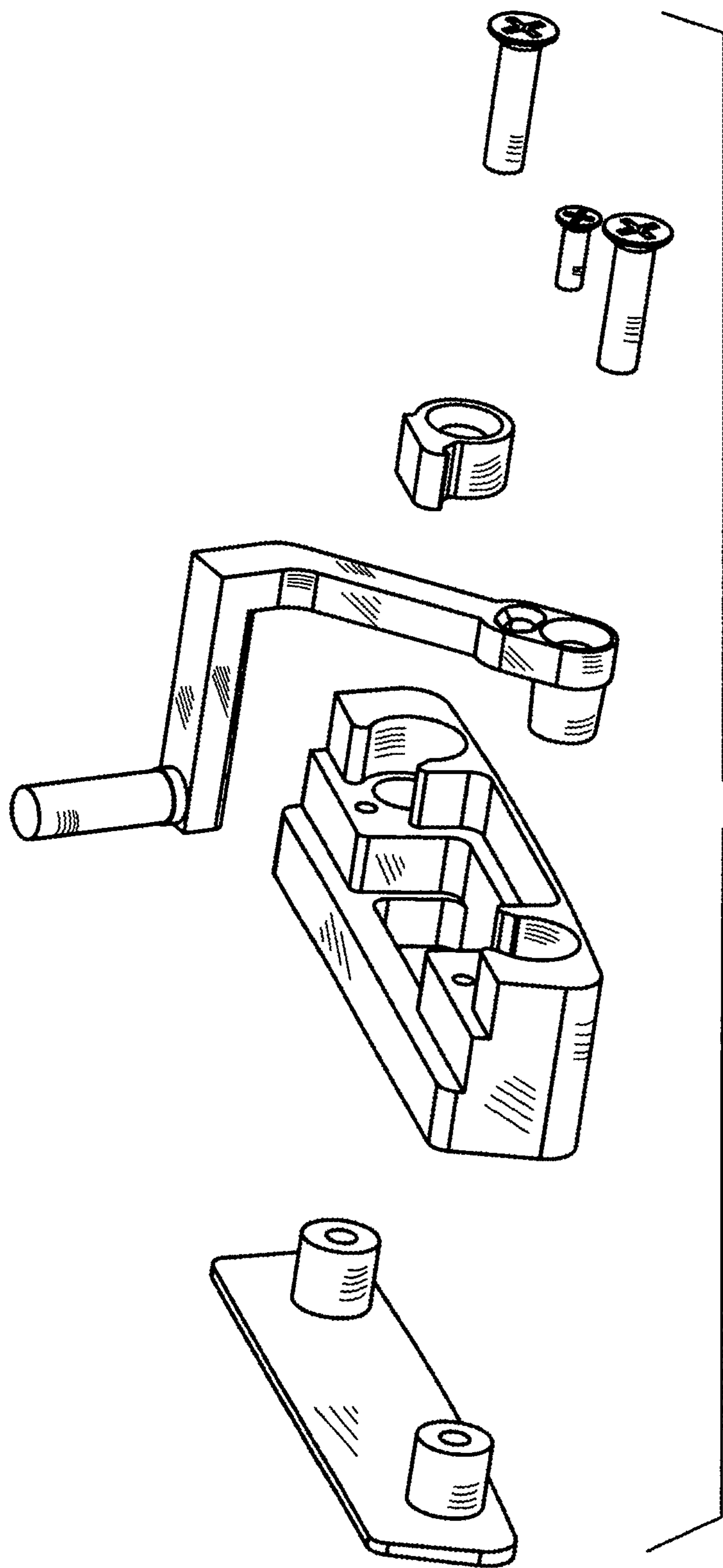


Fig. 8