



US00D752696S

(12) **United States Design Patent**  
**Foley**

(10) **Patent No.:** **US D752,696 S**  
(45) **Date of Patent:** **\*\* Mar. 29, 2016**

- (54) **BALL TEE**
  - (71) Applicant: **Scott Foley**, Fullerton, CA (US)
  - (72) Inventor: **Scott Foley**, Fullerton, CA (US)
  - (\*\*) Term: **14 Years**
  - (21) Appl. No.: **29/521,417**
  - (22) Filed: **Mar. 23, 2015**
  - (51) **LOC (10) Cl.** ..... **21-02**
  - (52) **U.S. Cl.**  
USPC ..... **D21/718**
  - (58) **Field of Classification Search**  
USPC ..... D21/715-719, 789-796  
CPC ..... A63B 57/0012; A63B 57/0032; A63B 57/0031; A63B 57/10; A63B 57/12; A63B 57/13; A63B 57/15; A63B 57/16; A63B 57/18; A63B 57/19; A63B 57/20; A63B 57/203; A63B 57/207
- See application file for complete search history.

- 5,759,119 A \* 6/1998 Ayoub ..... B65D 85/36 206/525
- D415,542 S \* 10/1999 Luther, Sr. .... D21/718
- 6,186,907 B1 \* 2/2001 Woodward ..... A63B 57/10 473/398
- 6,267,235 B1 \* 7/2001 Matias ..... A63B 57/10 206/315.1
- 6,679,793 B2 \* 1/2004 Joo ..... A63B 57/0031 224/918
- 6,692,383 B1 \* 2/2004 Heron ..... A63B 57/10 473/398
- D539,368 S \* 3/2007 Choo ..... D21/718
- D700,260 S \* 2/2014 Geiger ..... D21/718
- 2006/0100037 A1 \* 5/2006 Pels ..... A63B 57/10 473/387
- 2006/0217217 A1 \* 9/2006 Mundziakiewicz ... A63B 57/10 473/396
- 2007/0184919 A1 \* 8/2007 Costantini ..... A63B 57/10 473/387
- 2009/0023521 A1 \* 1/2009 MacDougall ..... A63B 57/505 473/405

\* cited by examiner

*Primary Examiner* — Catherine Tuttle  
(74) *Attorney, Agent, or Firm* — The Law Office of Austin Bonderer, PC; Austin Bonderer

(56) **References Cited**  
U.S. PATENT DOCUMENTS

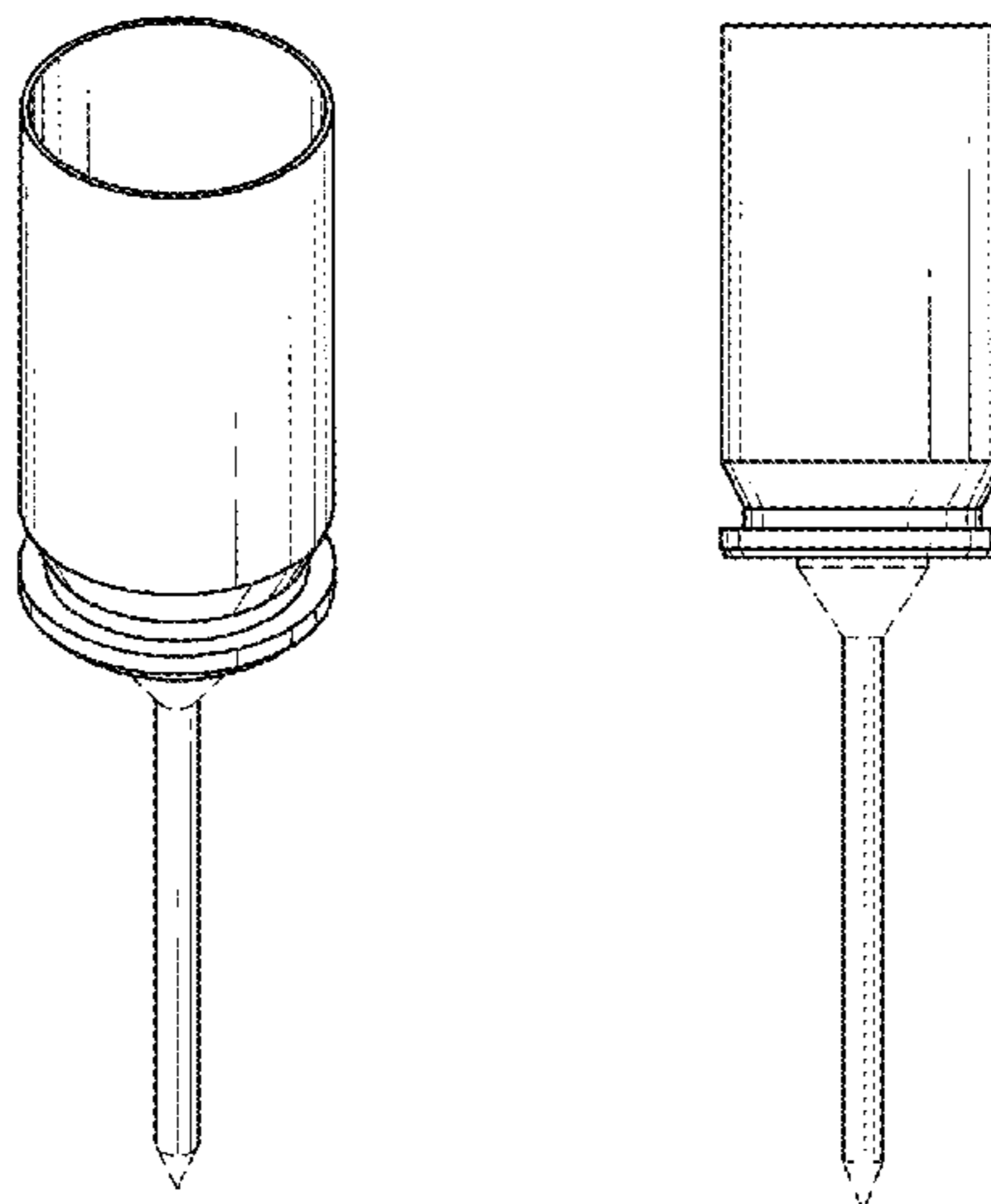
- 1,679,579 A \* 8/1928 Lundy ..... A63B 57/10 473/396
- D102,749 S \* 1/1937 Fay ..... D21/718
- D244,956 S \* 7/1977 Kristiansen ..... 473/176
- D258,227 S \* 2/1981 Coonen ..... D21/718
- 4,261,570 A \* 4/1981 Switzer ..... A63B 63/00 273/118 D
- 4,524,974 A \* 6/1985 Matsuura ..... A63B 57/10 473/396
- D285,103 S \* 8/1986 Kurtz ..... D21/718
- 5,413,330 A \* 5/1995 Disco ..... A63B 57/10 473/257
- 5,413,348 A \* 5/1995 Basso ..... A63B 57/10 473/393
- D367,092 S \* 2/1996 Gustine ..... D21/718
- D385,940 S \* 11/1997 Justice ..... D21/794
- D391,611 S \* 3/1998 Brayford ..... D21/718

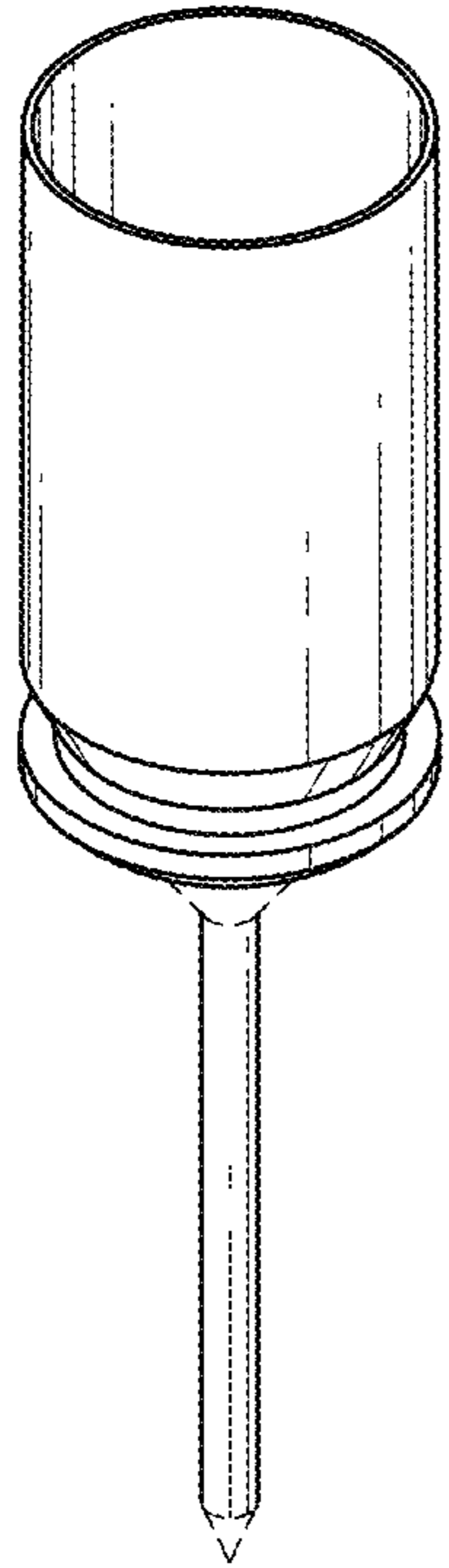
(57) **CLAIM**  
The ornamental design for a ball tee, as shown and described.

**DESCRIPTION**

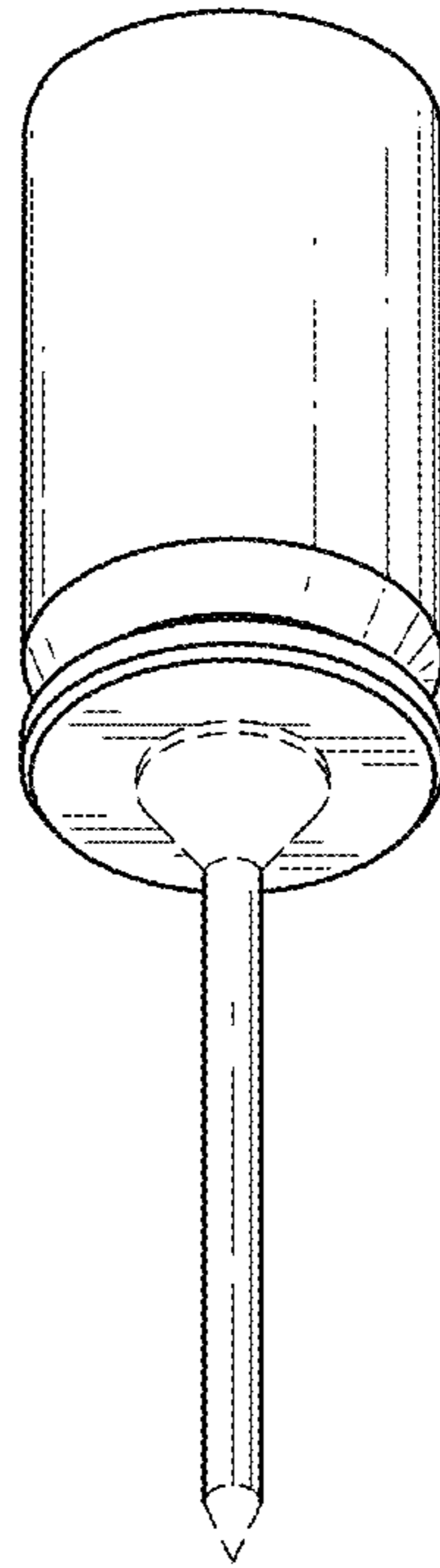
FIG. 1 is a top perspective view of the ball tee showing my new design;  
FIG. 2 is a bottom perspective view thereof;  
FIG. 3 is a side elevational view thereof;  
FIG. 4 is an elevational view of the opposing side of FIG. 3;  
FIG. 5 is a top plan view thereof; and,  
FIG. 6 is a bottom plan view thereof.  
The broken lines are included for the purpose of illustrating the portions of the ball tee that form no part of the claimed design.

**1 Claim, 2 Drawing Sheets**





*FIG. 1*



*FIG. 2*

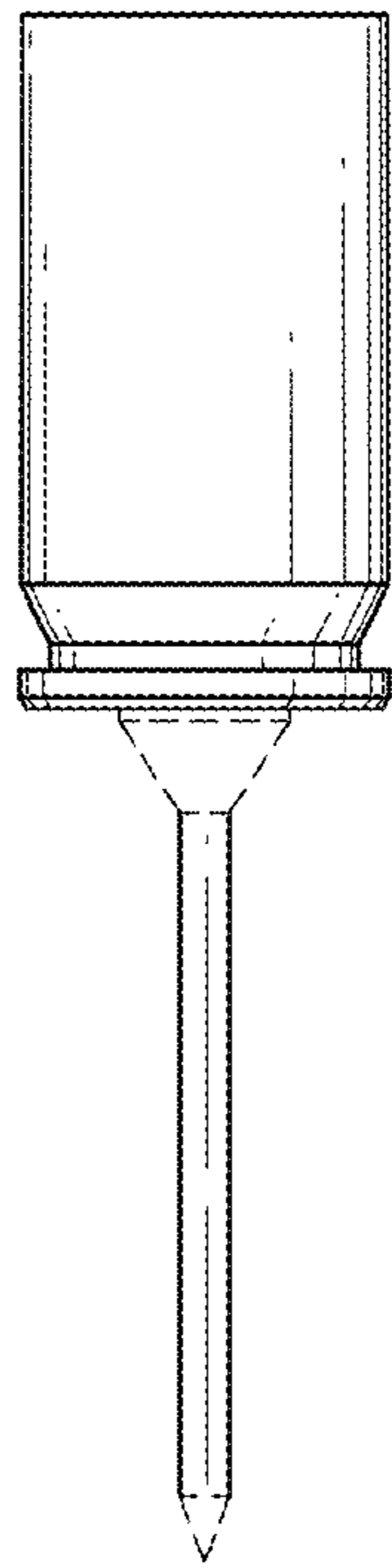


FIG. 3

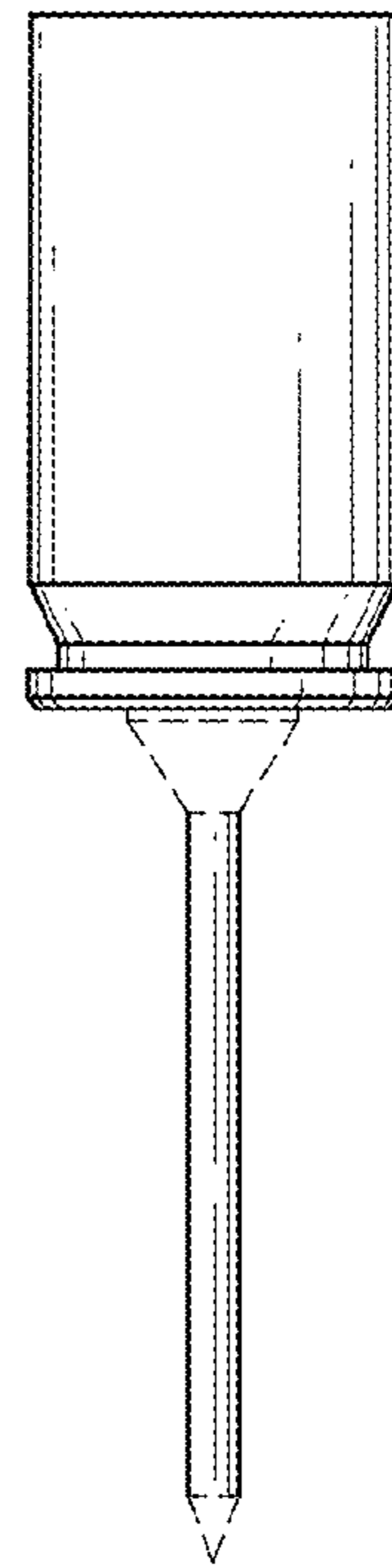


FIG. 4

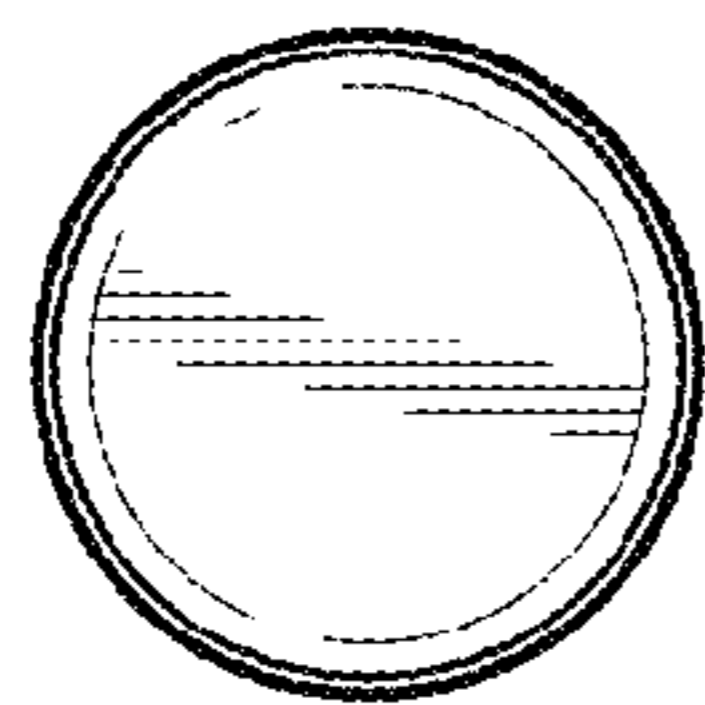


FIG. 5

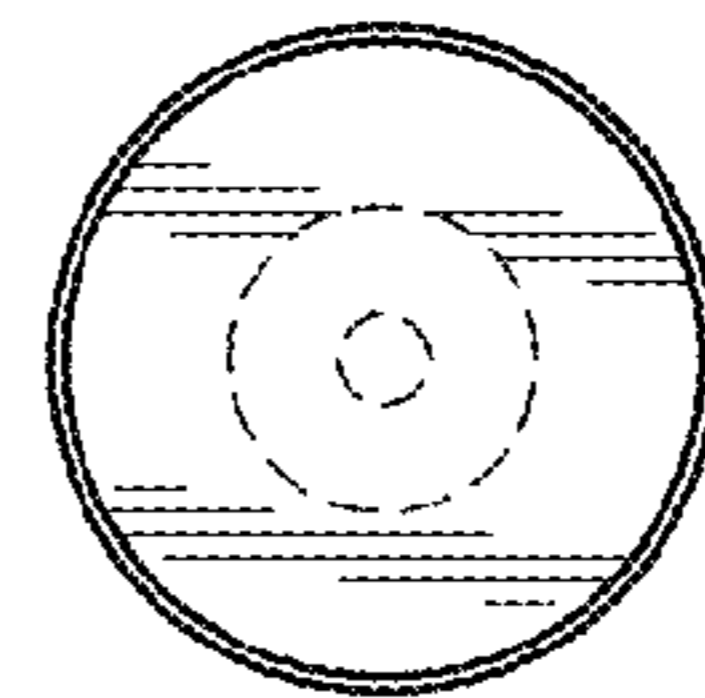


FIG. 6