



US00D752688S

(12) **United States Design Patent**
Jensen

(10) **Patent No.:** **US D752,688 S**
(45) **Date of Patent:** **** Mar. 29, 2016**

- (54) **LASER TAG TRANSCEIVER MODULE**
- (71) Applicant: **Universal Electronics, Inc.**, Whitewater, WI (US)
- (72) Inventor: **Rick Jensen**, North Prairie, WI (US)
- (73) Assignee: **Universal Electronics, Inc.**, Whitewater, WI (US)
- (**) Term: **14 Years**
- (21) Appl. No.: **29/507,445**
- (22) Filed: **Oct. 28, 2014**
- (51) **LOC (10) Cl.** **21-01**
- (52) **U.S. Cl.**
USPC **D21/333; D21/328**
- (58) **Field of Classification Search**
USPC D21/324, 328, 333; 273/148 B, 371; 463/46, 49-56; 607/88-94; 250/215, 250/216; 434/21-23; 446/215; 356/3, 4.01; 362/583, 558; D14/496, 203.1-203.7
CPC A63F 9/00; A63F 9/02; G06F 17/00; G06F 19/00
See application file for complete search history.

- D524,869 S * 7/2006 Breslow D21/312
- 7,244,183 B1 * 7/2007 England A63F 9/02 446/175
- D610,625 S * 2/2010 Guinchard D21/333
- D624,600 S * 9/2010 Fowler D21/333
- D632,340 S * 2/2011 Guinchard D21/324
- 8,378,279 B2 * 2/2013 Mourar F41G 3/02 250/203.2
- D678,954 S * 3/2013 Young D21/328
- 8,463,364 B2 * 6/2013 Wood A61B 5/0064 600/407
- 8,469,824 B1 * 6/2013 Farley F41J 5/02 434/11
- D717,877 S * 11/2014 Cerone D21/333

* cited by examiner

Primary Examiner — Prabhakar Deshmukh
(74) *Attorney, Agent, or Firm* — Boyle Fredrickson, S.C.

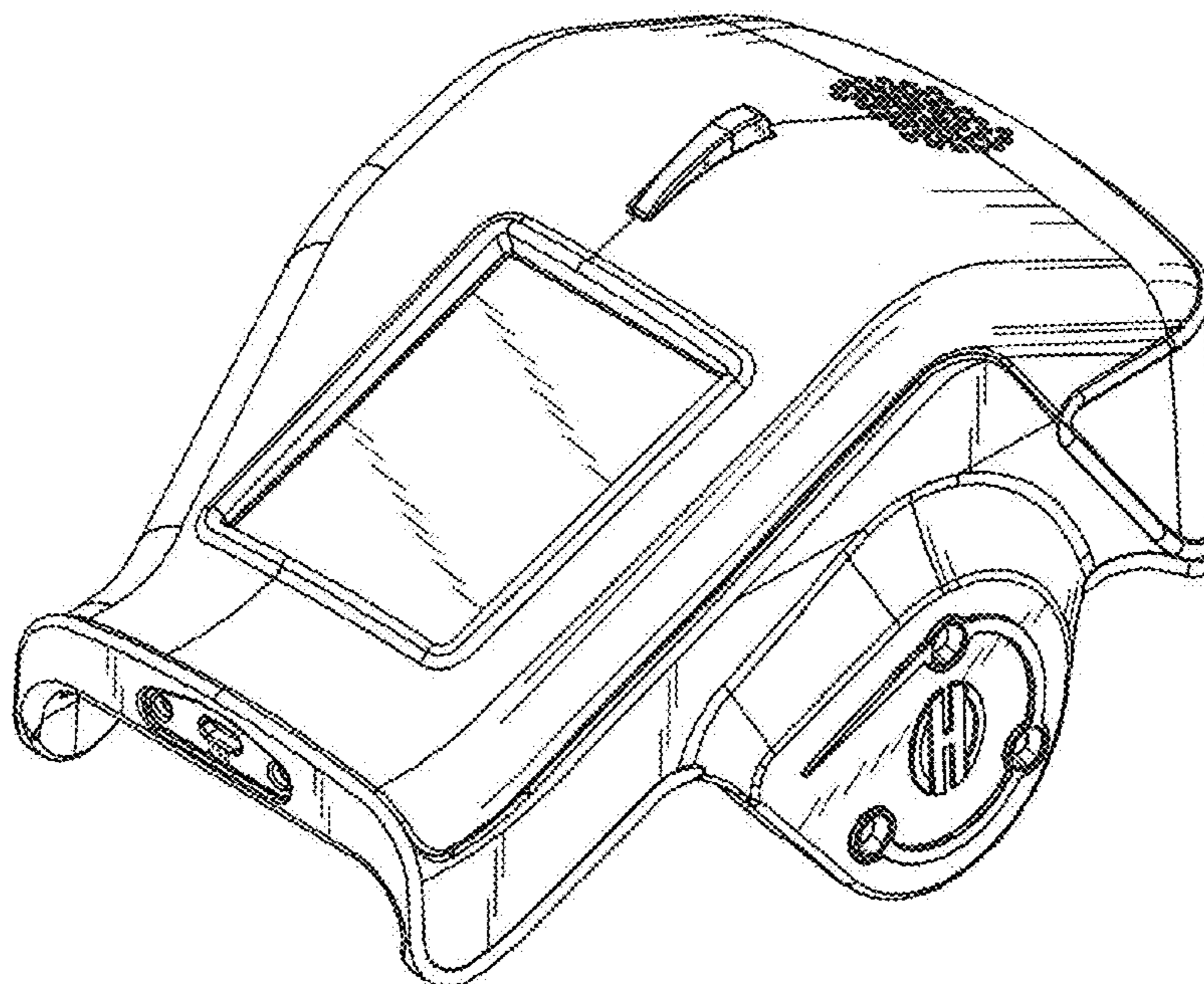
(57) **CLAIM**
The ornamental design of a laser tag transceiver module, as shown and described.

DESCRIPTION

FIG. 1 is a perspective view of a laser tag transceiver module showing our new design;
FIG. 2 is a top plan front elevation view thereof;
FIG. 3 is a bottom plan view thereof;
FIG. 4 is a right side elevation view thereof;
FIG. 5 is a left side elevation, view thereof;
FIG. 6 is a front elevation view thereof; and,
FIG. 7 is a rear elevation view thereof.
The broken lines indicate unclaimed portions and form no part of the claimed design.

1 Claim, 4 Drawing Sheets

- (56) **References Cited**
U.S. PATENT DOCUMENTS
5,741,185 A * 4/1998 Kwan A63F 9/0291 434/22
D398,030 S * 9/1998 Wong D21/324
6,488,696 B1 * 12/2002 Cho A61B 18/203 606/10



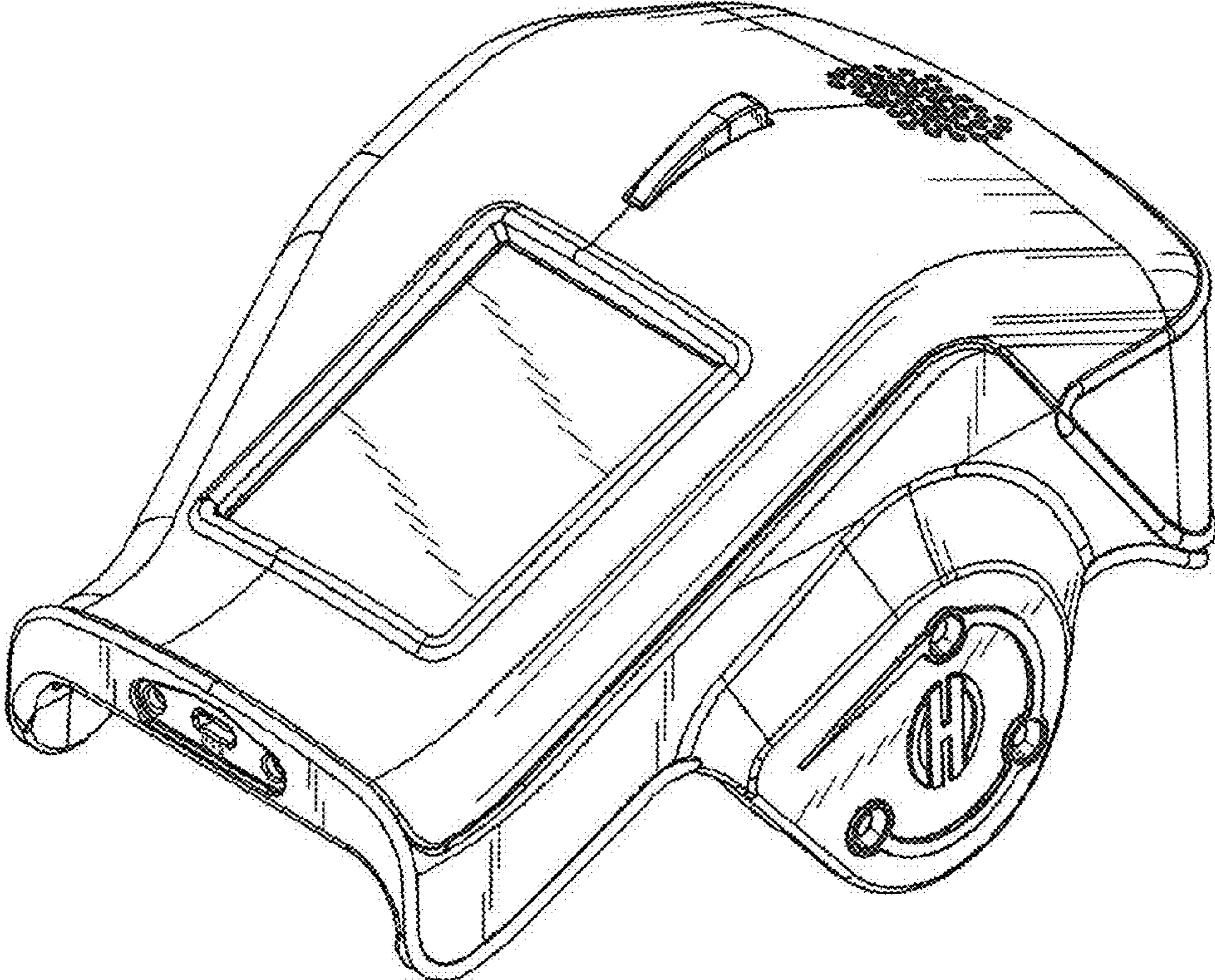


FIG. 1

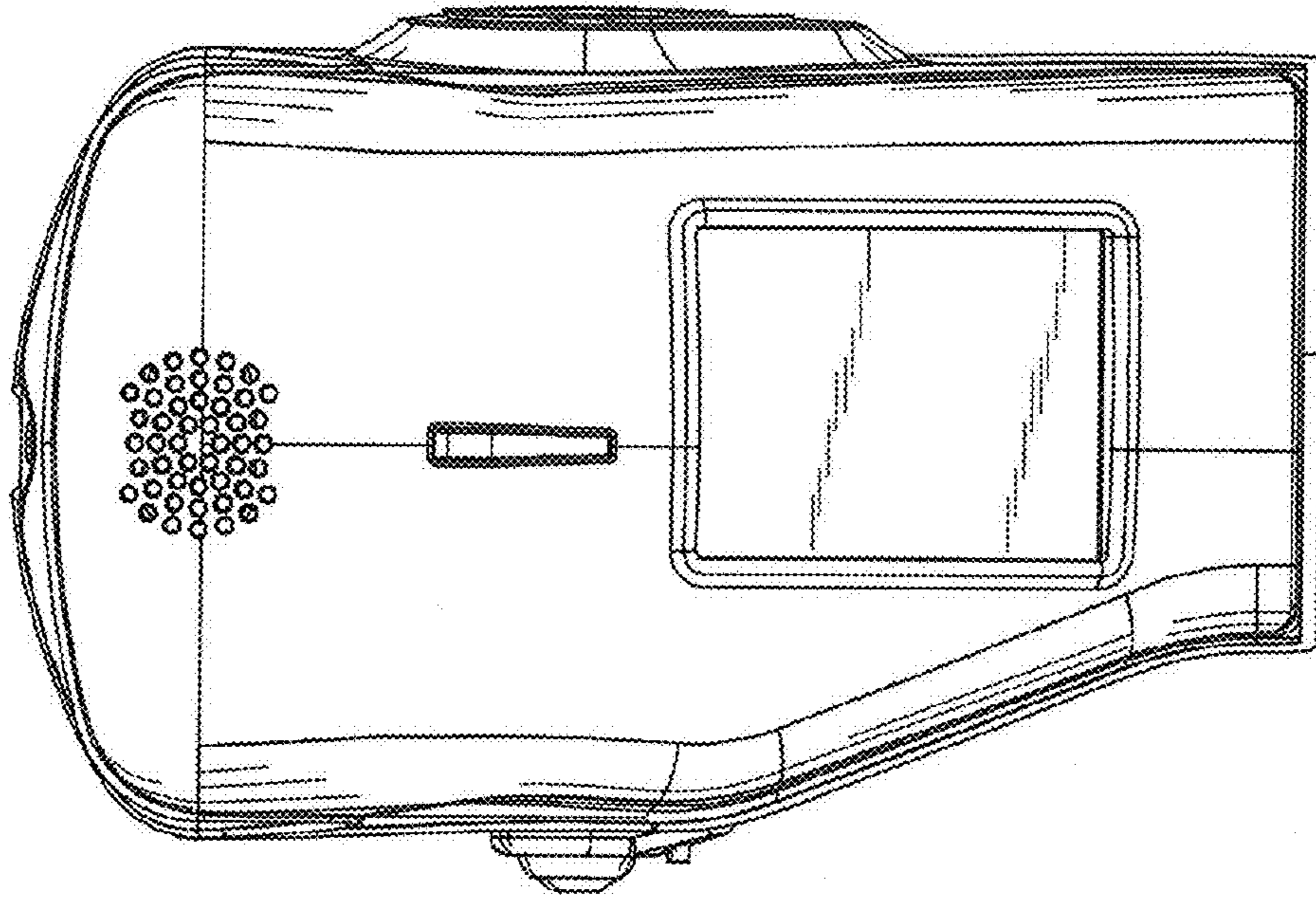


FIG. 2

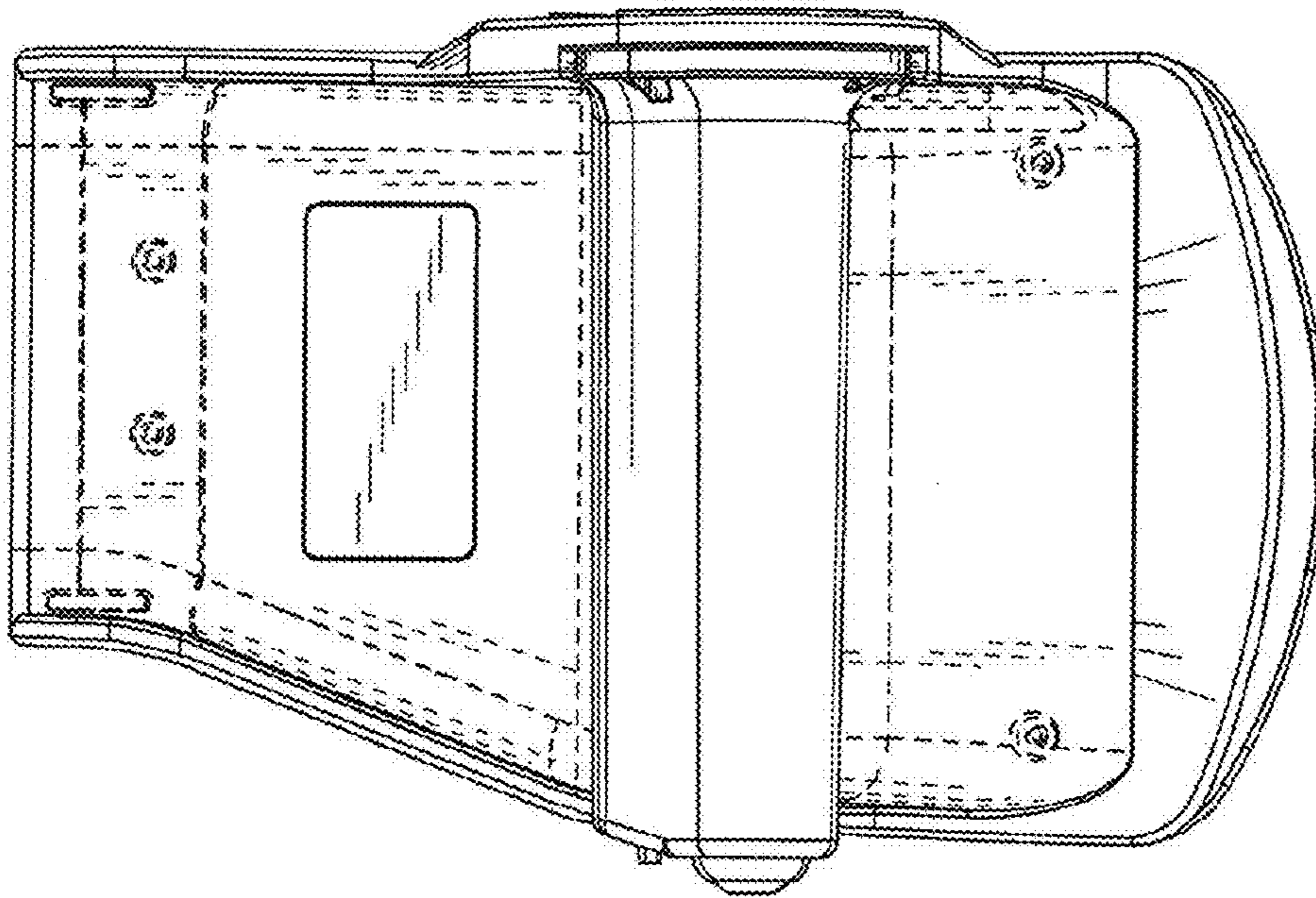


FIG. 3

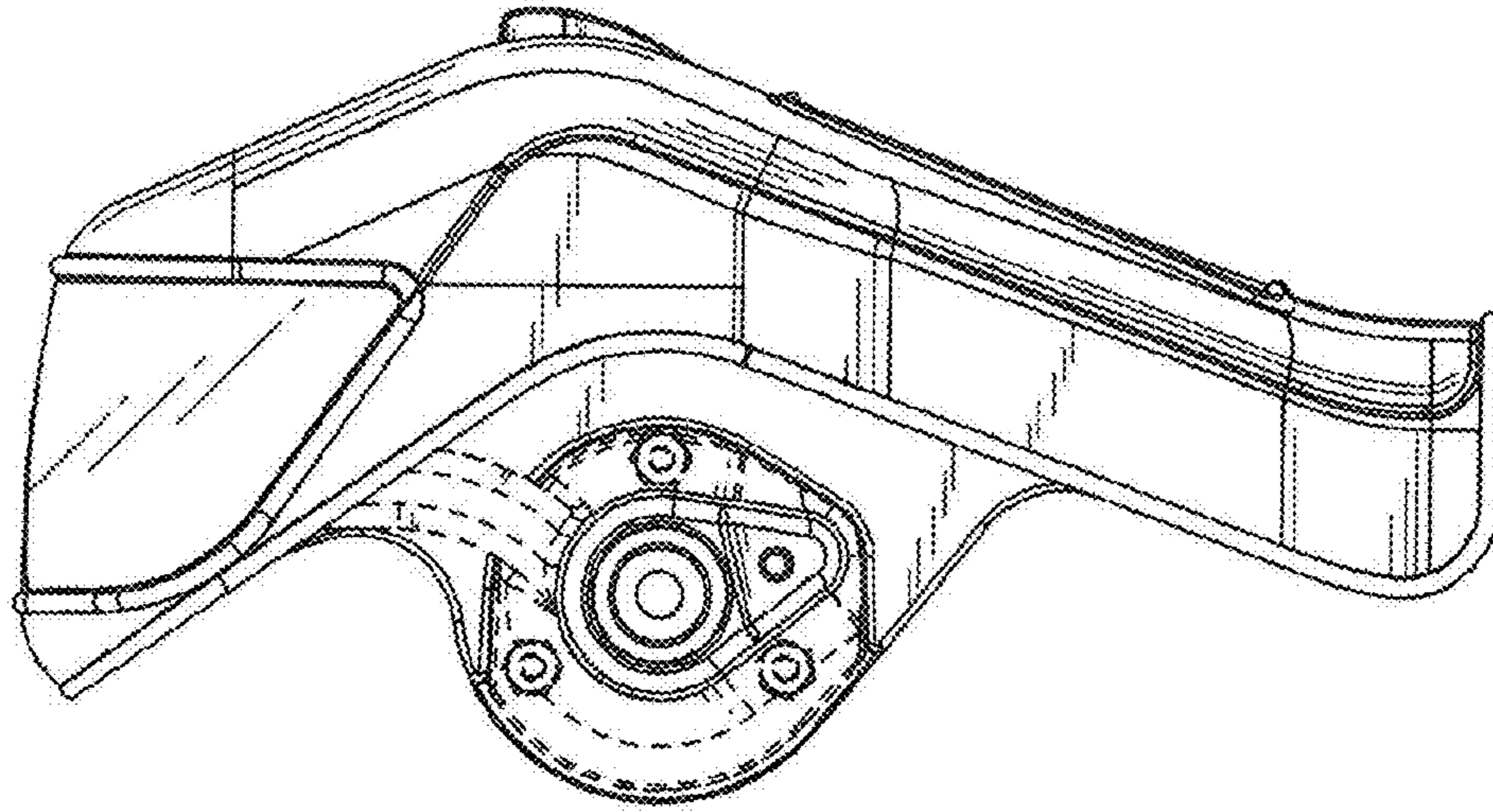


FIG. 4

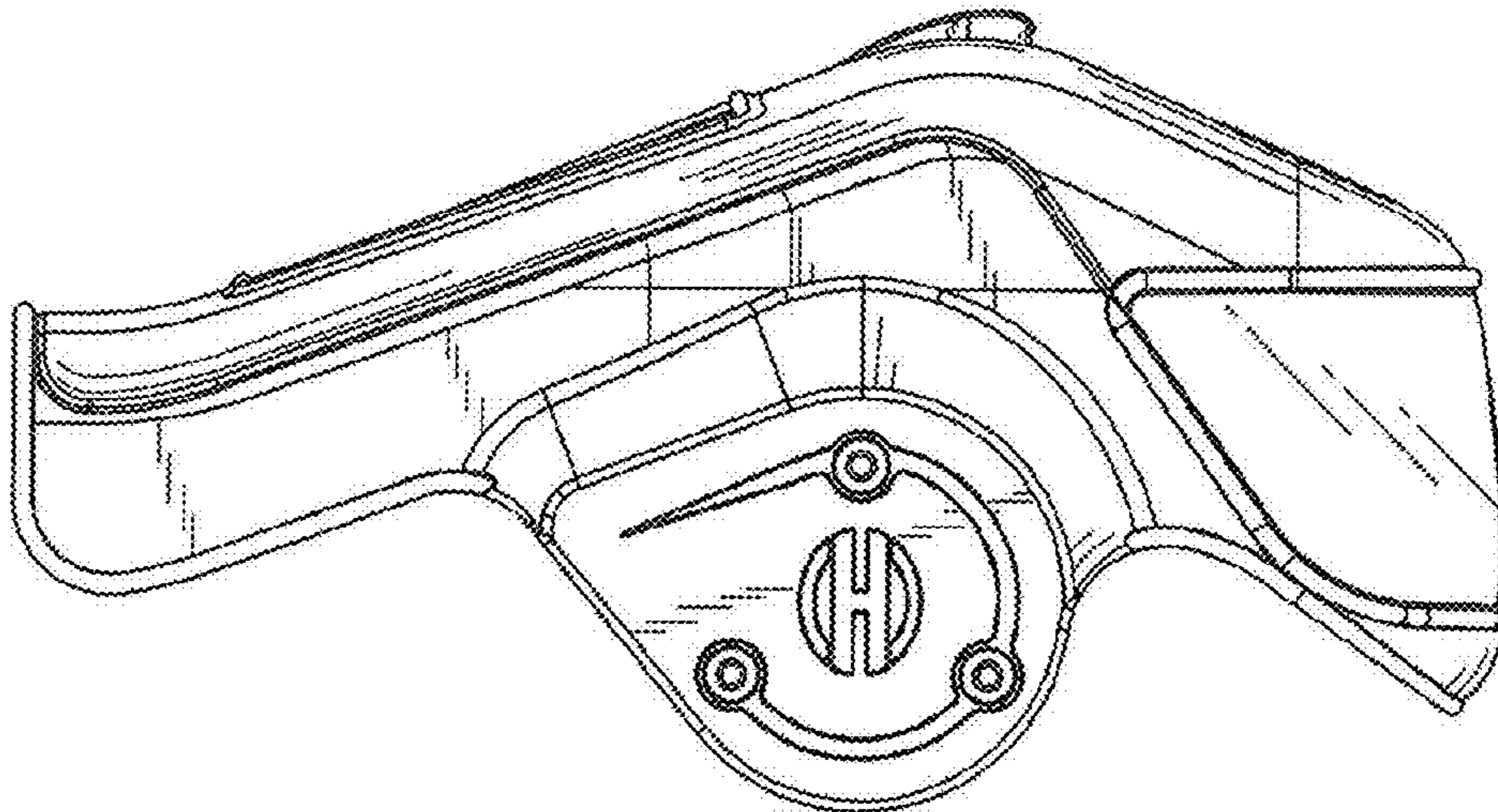


FIG. 5

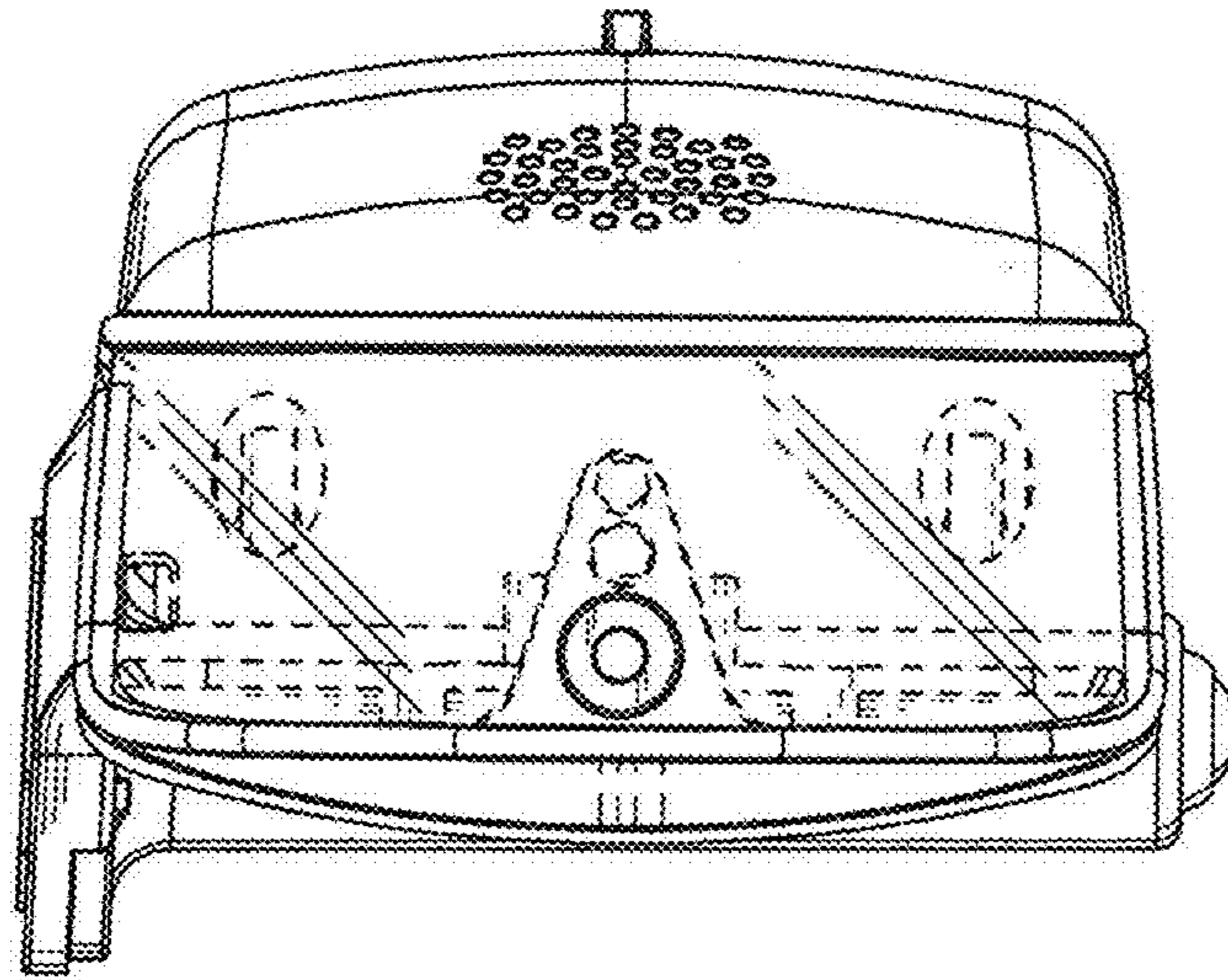


FIG. 6

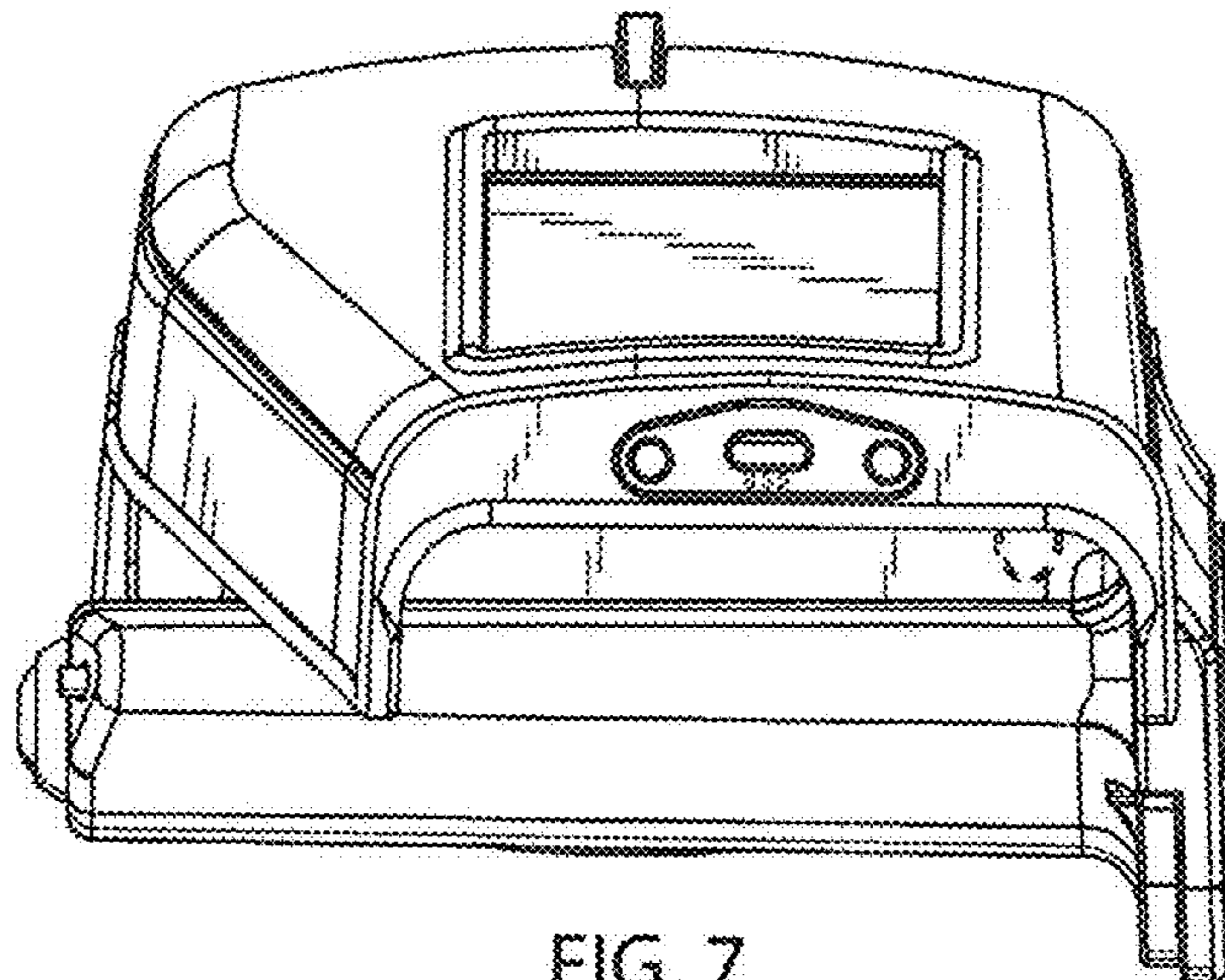


FIG. 7