



US00D752682S

(12) **United States Design Patent**
Sato et al.

(10) **Patent No.:** **US D752,682 S**
(45) **Date of Patent:** **** Mar. 29, 2016**

(54) **NOTE SHEETS AND RELATED PADS OF NOTE SHEETS**

- (71) Applicant: **CCL Label, Inc.**, Framingham, MA (US)
- (72) Inventors: **Jay K. Sato**, Mission Viejo, CA (US); **Eric Kim**, Mission Viejo, CA (US); **Susan L. Broyles**, Sierra Madre, CA (US); **Darren S. Ferris**, La Habra Heights, CA (US); **Cheng-Chung Chang**, Kaohsiung (TW); **Tsun-Rung Hsu**, Kaohsiung (TW)
- (73) Assignee: **Avery Dennison Corporation**, Pasadena, CA (US)
- (**) Term: **14 Years**
- (21) Appl. No.: **29/465,917**
- (22) Filed: **Sep. 3, 2013**

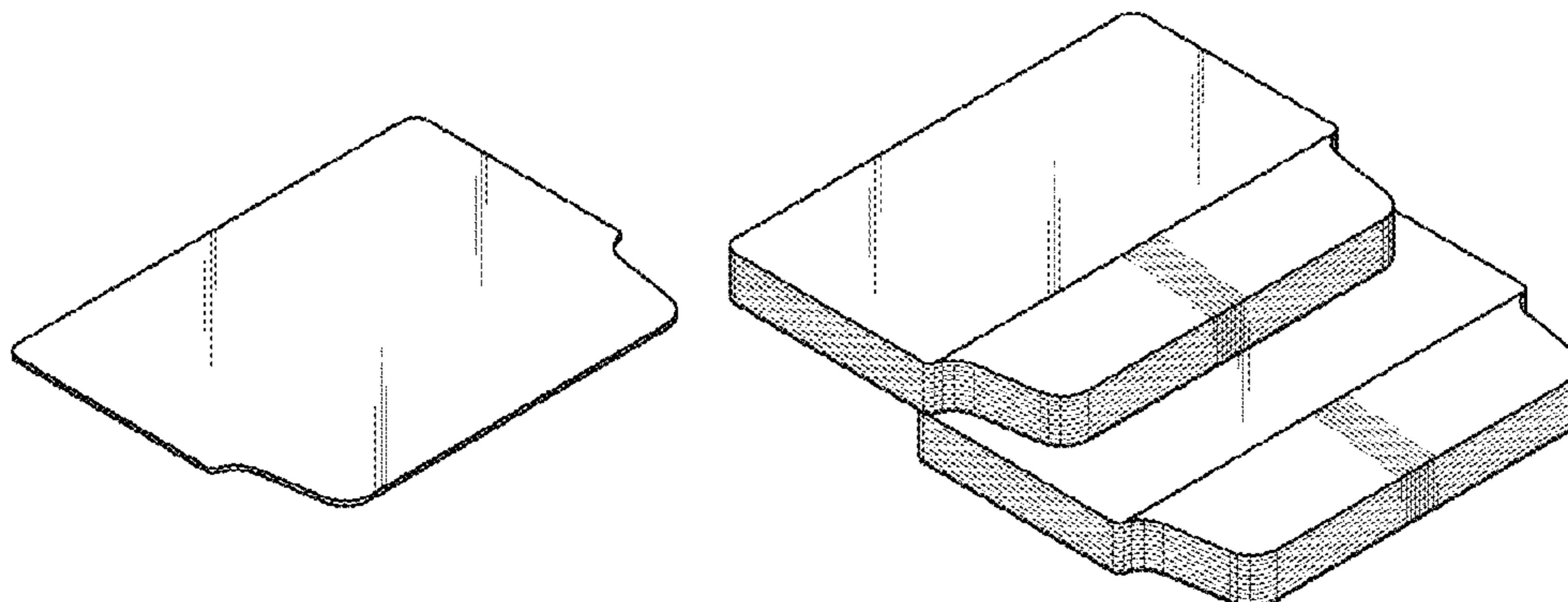
Related U.S. Application Data

- (63) Continuation of application No. 29/412,791, filed on Feb. 7, 2012, now Pat. No. Des. 690,351.
- (51) **LOC (10) Cl.** **19-01**
- (52) **U.S. Cl.**
USPC **D19/1**
- (58) **Field of Classification Search**
USPC D19/1-12, 20-34, 78, 87, 91, 100; 428/77, 43, 40.1, 42.2, 40.3, 192, 194; 156/182, 60; 206/425, 449; 281/3.1, 281/38, 21.1, 15.1, 16; 283/63.1, 64.1, 117, 283/61, 62, 60.2, 40, 101, 81; D6/582-594, D6/596; 462/901, 72, 61; 412/1-8, 10; 211/11, 45, 50; 40/124.01-124.15, 40/121, 119
CPC .. B42D 15/022; B42D 15/042; B42D 15/045; B42D 15/027; B42D 25/007; B42D 25/00; B42D 25/20; B42D 25/30; B42D 2033/20
See application file for complete search history.

(56) **References Cited**

U.S. PATENT DOCUMENTS

237,223 A	2/1881	Wight
524,856 A	8/1894	Mitchell
586,391 A	7/1897	Pinney et al.
2,248,317 A	7/1941	Van Cleef
3,691,140 A	9/1972	Silver
3,857,731 A	12/1974	Merrill, Jr. et al.
4,019,759 A	4/1977	Stanton
4,166,152 A	8/1979	Baker et al.
4,389,060 A	6/1983	Cline
4,422,672 A	12/1983	Levi
4,424,244 A	1/1984	Puskadi
4,516,871 A	5/1985	Leitman
4,590,109 A	5/1986	Holmberg
4,650,706 A	3/1987	Emmel
4,786,696 A	11/1988	Bohnel
4,798,401 A	1/1989	Greig
4,810,763 A	3/1989	Mallya et al.
4,837,062 A	6/1989	Dunshee et al.
4,884,826 A	12/1989	Slagsvol
4,895,746 A	1/1990	Mertens
4,907,825 A	3/1990	Miles et al.
4,944,888 A	7/1990	Mallya et al.
4,970,984 A	11/1990	Vazquez
4,985,302 A	1/1991	Sala et al.
4,988,567 A	1/1991	Delgado
4,994,322 A	2/1991	Delgado et al.
5,011,189 A	4/1991	Olson
5,045,569 A	9/1991	Delgado
5,050,909 A	9/1991	Mertens et al.
5,056,824 A	10/1991	Olson
5,056,825 A	10/1991	Templet
5,153,041 A	10/1992	Clements et al.
5,249,827 A	10/1993	Olson
5,283,091 A	2/1994	Darvell et al.
5,299,833 A	4/1994	Modole, Jr.
5,342,688 A	8/1994	Kitchin et al.
5,366,776 A	11/1994	Mertens
5,388,861 A	2/1995	Reiter
5,390,819 A	2/1995	Kaye
5,401,547 A	3/1995	Blackwell et al.
5,432,688 A	7/1995	Tobias et al.
5,462,783 A	10/1995	Esselmann
5,518,273 A	5/1996	Olson
5,639,240 A	6/1997	Werzberger
5,641,182 A	6/1997	Schwandt
5,641,550 A	6/1997	Berman et al.
5,656,705 A	8/1997	Mallya et al.
5,670,226 A	9/1997	Yoshizawa et al.
5,705,244 A	1/1998	Lee



5,707,482 A	1/1998	Fusselman
5,755,355 A	5/1998	Timmerman et al.
5,795,636 A	8/1998	Keller et al.
5,874,144 A	2/1999	Kumar et al.
5,876,067 A	3/1999	Kaplan
5,911,442 A	6/1999	Olson
5,948,494 A	9/1999	Levin
5,967,561 A	10/1999	Glenn
5,989,667 A	11/1999	Tayebi
6,001,209 A	12/1999	Popat et al.
6,013,154 A	1/2000	Thomas-Cote
6,074,747 A	6/2000	Scholz et al.
6,149,202 A	11/2000	Anzai
6,150,035 A	11/2000	DeFife et al.
6,217,443 B1	4/2001	Green, Jr.
6,220,504 B1	4/2001	Flynn et al.
6,220,505 B1	4/2001	Flynn et al.
6,254,955 B1	7/2001	Kuo et al.
6,265,043 B1	7/2001	Vinyard et al.
6,279,817 B1	8/2001	Flynn et al.
6,286,871 B1	9/2001	Spector et al.
6,352,198 B1	3/2002	Flynn et al.
6,357,651 B1	3/2002	Flynn et al.
6,364,198 B1	4/2002	Flynn et al.
6,364,366 B1	4/2002	Schwartz
6,367,689 B1	4/2002	Flynn et al.
6,375,065 B1	4/2002	Flynn et al.
6,415,976 B1	7/2002	Flynn et al.
6,425,519 B1	7/2002	Flynn et al.
6,427,905 B1	8/2002	Flynn et al.
6,435,967 B1	8/2002	Michlin
6,471,817 B1	10/2002	Emmert
D467,273 S	12/2002	Brooks et al.
6,488,999 B1	12/2002	Flynn et al.
6,499,652 B1	12/2002	Flynn et al.
6,503,591 B2	1/2003	Kuo et al.
6,523,737 B1	2/2003	Flynn et al.
6,543,379 B2	4/2003	Schwartz
6,576,315 B2	6/2003	Treleaven et al.
6,582,546 B1	6/2003	Micek
D477,360 S	7/2003	Larkins et al.
6,617,000 B1	9/2003	Denny et al.
6,627,285 B2	9/2003	Kuo et al.
6,896,294 B2	5/2005	Bidanset et al.
7,040,051 B2	5/2006	Windorski
D524,856 S	7/2006	Pascale et al.
7,094,454 B2	8/2006	Kuo et al.
7,128,957 B2	10/2006	Bratter
7,140,135 B2	11/2006	Irvine et al.
7,225,570 B2	6/2007	Windorski
7,309,731 B2	12/2007	Shih et al.
7,467,487 B2	12/2008	Sato et al.
D586,391 S	2/2009	Pascale
D591,341 S	4/2009	Fagan
7,678,443 B2	3/2010	Schulz et al.
D631,507 S	1/2011	Harrell
D667,494 S	9/2012	Sato et al.
D679,753 S	4/2013	Sato et al.
D680,166 S	4/2013	Sato et al.
D681,110 S	4/2013	Sato et al.
D681,111 S	4/2013	Sato et al.
D690,351 S	9/2013	Sato et al.
2001/0031331 A1	10/2001	Kuo et al.
2002/0071926 A1	6/2002	Yuh
2002/0192415 A1	12/2002	Vogler et al.
2003/0020274 A1	1/2003	Milliorn
2003/0039786 A1	2/2003	Milliorn et al.
2003/0071703 A1	4/2003	Machesky
2003/0077413 A1	4/2003	Shah
2003/0232190 A1	12/2003	O'Leary et al.
2004/0228996 A1	11/2004	Franzo
2004/0247812 A1	12/2004	Milliorn et al.
2005/0058812 A1	3/2005	Seidl et al.
2005/0194090 A1	9/2005	Milliorn
2005/0233101 A1	10/2005	Wittmeyer, Jr.
2005/0274272 A1	12/2005	Machesky
2006/0057324 A1	3/2006	Phillips et al.
2006/0062956 A1	3/2006	Chandaria et al.
2006/0068145 A1	3/2006	Chandaria

2006/0097510 A1	5/2006	Sharpe
2006/0124237 A1	6/2006	Nordin et al.
2006/0204700 A1	9/2006	Kiraly
2007/0071971 A1	3/2007	Drogan
2007/0148392 A1	6/2007	Keravec et al.
2007/0212507 A1	9/2007	Arst et al.
2009/0091117 A1	4/2009	Shoffstall-Ridley
2009/0110863 A1	4/2009	Dangami
2009/0142531 A1	6/2009	Killey
2009/0208686 A1	8/2009	Ho
2011/0156381 A1	6/2011	Kuo et al.
2011/0244201 A1	10/2011	Sato et al.

FOREIGN PATENT DOCUMENTS

DE	3836795	5/1990
EP	885752	12/1998
EP	928701	7/1999
WO	95/32097	11/1995
WO	00/52080	9/2000
WO	2009/046203	4/2009

OTHER PUBLICATIONS

http://www.theofficedealer.com/mm5/merchant.mvc?Screen=PROD&Product_Code=MMM686FSMB&Category_Code=&fe1=bg1 (which shows Post-it Brand Durable Filing Tabs having model No. 686F-SMB).
http://www.3m.com/US/office/postit/products/prod_ft_dur.html (which shows Post-it Brand Durable Tabs).
http://www.3m.com/us/office/postit/products/prod_ft_ort.html (which shows Post-it Brand Portable Flags and Notes).
http://www.3m.com/us/office/postit/products/prod_ft_ss.html (which shows Post-it Brand Flags).
<http://milo.com/post-it-info-tabs-3-38-x-2-34-greenblue-25-flags-per-pad-pack-of-2-pads> (which shows Post-it Brand Note Tabs).
 Written Opinion of the International Searching Authority, PCT/US2012/031033, Avery Dennison Corporation, Aug. 9, 2012.
 International Preliminary Report on Patentability, PCT/US2012/031033, Avery Dennison Corporation, Oct. 8, 2013.

Primary Examiner — Caron D Veynar
Assistant Examiner — Abraham Bahta
 (74) *Attorney, Agent, or Firm* — McDonald Hopkins LLC

(57) **CLAIM**

We claim the ornamental designs for note sheets and related pads of note sheets, as shown and described.

DESCRIPTION

FIG. 1 is a top perspective view of a note sheet embodying our new design with the note sheet configured to receive indicia and having a rectangular body portion and a rectangular tab portion with rounded shoulders.
 FIG. 2 is a bottom perspective view of the note sheet of FIG. 1, the bottom surface having a region of adhesive on the rectangular body portion.
 FIG. 3 is a top plan view of the note sheet of FIG. 1.
 FIG. 4 is a bottom plan view of the note sheet of FIG. 1.
 FIG. 5 is a front-edge elevational view of the note sheet of FIG. 1.
 FIG. 6 is a back-edge elevational view of the note sheet of FIG. 1.
 FIG. 7 is a left-side elevational view of the note sheet of FIG. 1.
 FIG. 8 is a right-side elevational view of the note sheet of FIG. 1.

FIG. 9 is a top perspective view of another note sheet embodying our new design with the note sheet configured to receive indicia and having a rectangular body portion and a rectangular tab portion with rounded shoulders and an overlay.

FIG. 10 is a bottom perspective view of the note sheet of FIG. 9, the bottom surface having a region of adhesive on the rectangular body portion.

FIG. 11 is a top plan view of the note sheet of FIG. 9.

FIG. 12 is a bottom plan view of the note sheet of FIG. 9.

FIG. 13 is a front-edge elevational view of the note sheet of FIG. 9.

FIG. 14 is a back-edge elevational view of the note sheet of FIG. 9.

FIG. 15 is a left-side elevational view of the note sheet of FIG. 9.

FIG. 16 is a right-side elevational view of the note sheet of FIG. 9.

FIG. 17 is a top perspective view of a pad of note sheets including the note sheet of FIG. 9 and a bottom pad carrier sheet.

FIG. 18 is a bottom perspective view of the pad of note sheets of FIG. 17.

FIG. 19 is a top plan view of the pad of note sheets of FIG. 17.

FIG. 20 is a bottom plan view of the pad of note sheets of FIG. 17.

FIG. 21 is a front-edge elevational view of the pad of note sheets of FIG. 17.

FIG. 22 is a back-edge elevational view of the pad of note sheets of FIG. 17.

FIG. 23 is a left-side elevational view of the pad of note sheets of FIG. 17.

FIG. 24 is a right-side elevational view of the pad of note sheets of FIG. 17.

FIG. 25 is a top perspective view of two stacked pads of note sheets wherein each of the two stacked pads of note sheets is the pad of note sheets of FIG. 17 and the pads of note sheets are coupled together with a piece of tape that contacts the bottom surface of each pad of note sheets.

FIG. 26 is a bottom perspective view of the two stacked pads of note sheets of FIG. 25.

FIG. 27 is a top plan view of the two stacked pads of note sheets of FIG. 25.

FIG. 28 is a bottom plan view of the two stacked pads of note sheets of FIG. 25.

FIG. 29 is a front-edge elevational view of the two stacked pads of note sheets of FIG. 25.

FIG. 30 is a back-edge elevational view of the two stacked pads of note sheets of FIG. 25.

FIG. 31 is a left-side elevational view of the two stacked pads of note sheets of FIG. 25.

FIG. 32 is a right-side elevational view of the two stacked pads of note sheets of FIG. 25.

FIG. 33 is a top perspective view of three stacked pads of note sheets wherein each of the three stacked pads of note sheets is the pad of note sheets of FIG. 17 and the pads of note sheets are coupled together with a piece of tape that contacts the bottom surface of each pad of note sheets.

FIG. 34 is a bottom perspective view of the three stacked pads of note sheets of FIG. 33.

FIG. 35 is a top plan view of the three stacked pads of note sheets of FIG. 33.

FIG. 36 is a bottom plan view of the three stacked pads of note sheets of FIG. 33.

FIG. 37 is a front-edge elevational view of the three stacked pads of note sheets of FIG. 33.

FIG. 38 is a back-edge elevational view of the three stacked pads of note sheets of FIG. 33.

FIG. 39 is a left-side elevational view of the three stacked pads of note sheets of FIG. 33.

FIG. 40 is a right-side elevational view of the three stacked pads of note sheets of FIG. 33.

FIG. 41 is a top perspective view of four stacked pads of note sheets wherein each of the four stacked pads of note sheets is the pad of note sheets of FIG. 17 and the pads of note sheets are coupled together with a piece of tape that contacts the bottom surface of each pad of note sheets.

FIG. 42 is a bottom perspective view of the four stacked pads of note sheets of FIG. 41.

FIG. 43 is a top plan view of the four stacked pads of note sheets of FIG. 41.

FIG. 44 is a bottom plan view of the four stacked pads of note sheets of FIG. 41.

FIG. 45 is a front-edge elevational view of the four stacked pads of note sheets of FIG. 41.

FIG. 46 is a back-edge elevational view of the four stacked pads of note sheets of FIG. 41.

FIG. 47 is a left-side elevational view of the four stacked pads of note sheets of FIG. 41.

FIG. 48 is a right-side elevational view of the four stacked pads of note sheets of FIG. 41.

FIG. 49 is a top perspective view of another note sheet embodying our new design with the note sheet configured to receive indicia and having a rectangular body portion and a rectangular tab portion with rounded shoulders.

FIG. 50 is a bottom perspective view of the note sheet of FIG. 49, the bottom surface having a region of adhesive on the rectangular body portion.

FIG. 51 is a top plan view of the note sheet of FIG. 49.

FIG. 52 is a bottom plan view of the note sheet of FIG. 49.

FIG. 53 is a front-edge elevational view of the note sheet of FIG. 49.

FIG. 54 is a back-edge elevational view of the note sheet of FIG. 49.

FIG. 55 is a left-side elevational view of the note sheet of FIG. 49.

FIG. 56 is a right-side elevational view of the note sheet of FIG. 49.

FIG. 57 is a top perspective view of another note sheet embodying our new design with the note sheet configured to receive indicia and having a rectangular body portion and a rectangular tab portion with rounded shoulders and an overlay.

FIG. 58 is a bottom perspective view of the note sheet of FIG. 57, the bottom surface having a region of adhesive on the rectangular body portion.

FIG. 59 is a top plan view of the note sheet of FIG. 57.

FIG. 60 is a bottom plan view of the note sheet of FIG. 57.

FIG. 61 is a front-edge elevational view of the note sheet of FIG. 57.

FIG. 62 is a back-edge elevational view of the note sheet of FIG. 57.

FIG. 63 is a left-side elevational view of the note sheet of FIG. 57.

FIG. 64 is a right-side elevational view of the note sheet of FIG. 57.

FIG. 65 is a top perspective view a pad of note sheets including the note sheet of FIG. 57 and a bottom pad carrier sheet.

FIG. 66 is a bottom perspective view a pad of note sheets of FIG. 65.

FIG. 67 is a top plan view of the pad of note sheets of FIG. 65.

FIG. 68 is a bottom plan view of the pad of note sheets of FIG. 65.

FIG. 69 is a front-edge elevational view of the pad of note sheets of FIG. 65.

FIG. 70 is a back-edge elevational view of the pad of note sheets of FIG. 65.

FIG. 71 is a left-side elevational view of the pad of note sheets of FIG. 65.

FIG. 72 is a right-side elevational view of the pad of note sheets of FIG. 65.

FIG. 73 is a top perspective view of two stacked pads of note sheets wherein each of the two stacked pads of note sheets is the pad of note sheets of FIG. 65 and the pads of note sheets are coupled together with a piece of tape that contacts the bottom surface of each pad of note sheets.

FIG. 74 is a bottom perspective view of the two stacked pads of note sheets of FIG. 73.

FIG. 75 is a top plan view of the two stacked pads of note sheets of FIG. 73.

FIG. 76 is a bottom plan view of the two stacked pads of note sheets of FIG. 73.

FIG. 77 is a front-edge elevational view of the two stacked pads of note sheets of FIG. 73.

FIG. 78 is a back-edge elevational view of the two stacked pads of note sheets of FIG. 73.

FIG. 79 is a left-side elevational view of the two stacked pads of note sheets of FIG. 73.

FIG. 80 is a right-side elevational view of the two stacked pads of note sheets of FIG. 73.

FIG. 81 is a top perspective view of three stacked pads of note sheets wherein each of the three stacked pads of note sheets is the pad of note sheets of FIG. 65 and the pads of note sheets are coupled together with a piece of tape that contacts the bottom surface of each pad of note sheets.

FIG. 82 is a bottom perspective view of the three stacked pads of note sheets of FIG. 81.

FIG. 83 is a top plan view of the three stacked pads of note sheets of FIG. 81.

FIG. 84 is a bottom plan view of the three stacked pads of note sheets of FIG. 81.

FIG. 85 is a front-edge elevational view of the three stacked pads of note sheets of FIG. 81.

FIG. 86 is a back-edge elevational view of the three stacked pads of note sheets of FIG. 81.

FIG. 87 is a left-side elevational view of the three stacked pads of note sheets of FIG. 81; and,

FIG. 88 is a right-side elevational view of the three stacked pads of note sheets of FIG. 81.

1 Claim, 21 Drawing Sheets

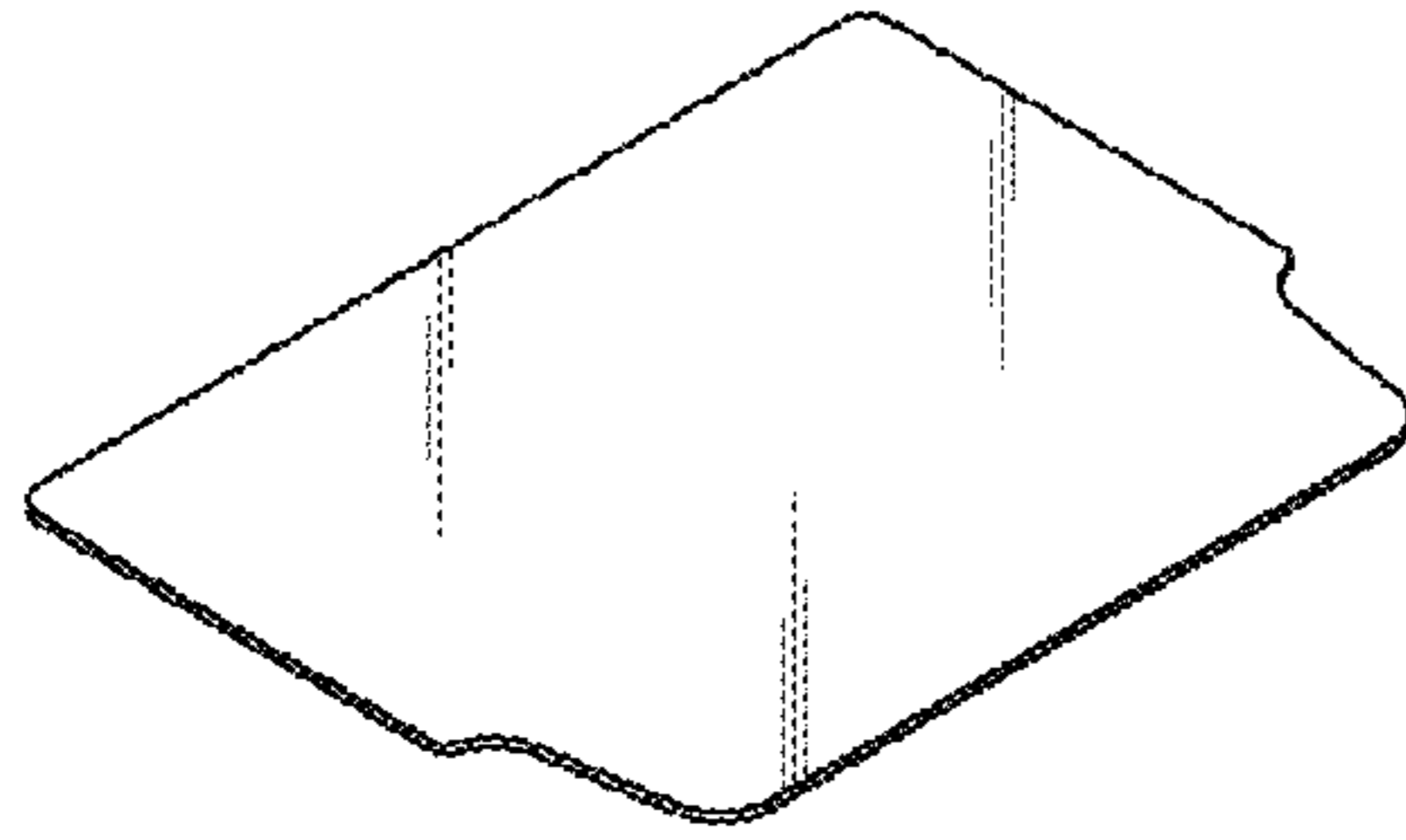


FIG. 1

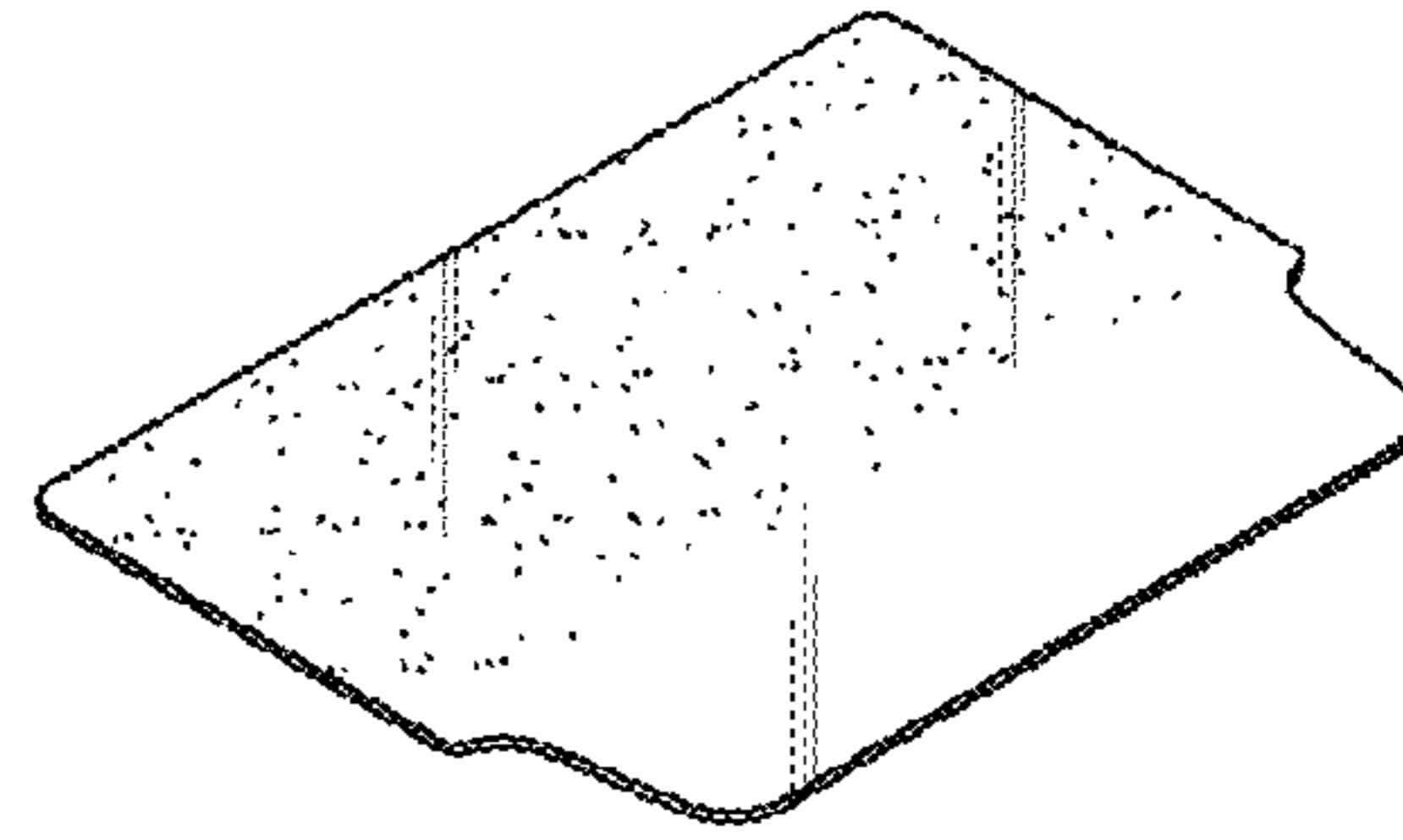


FIG. 2

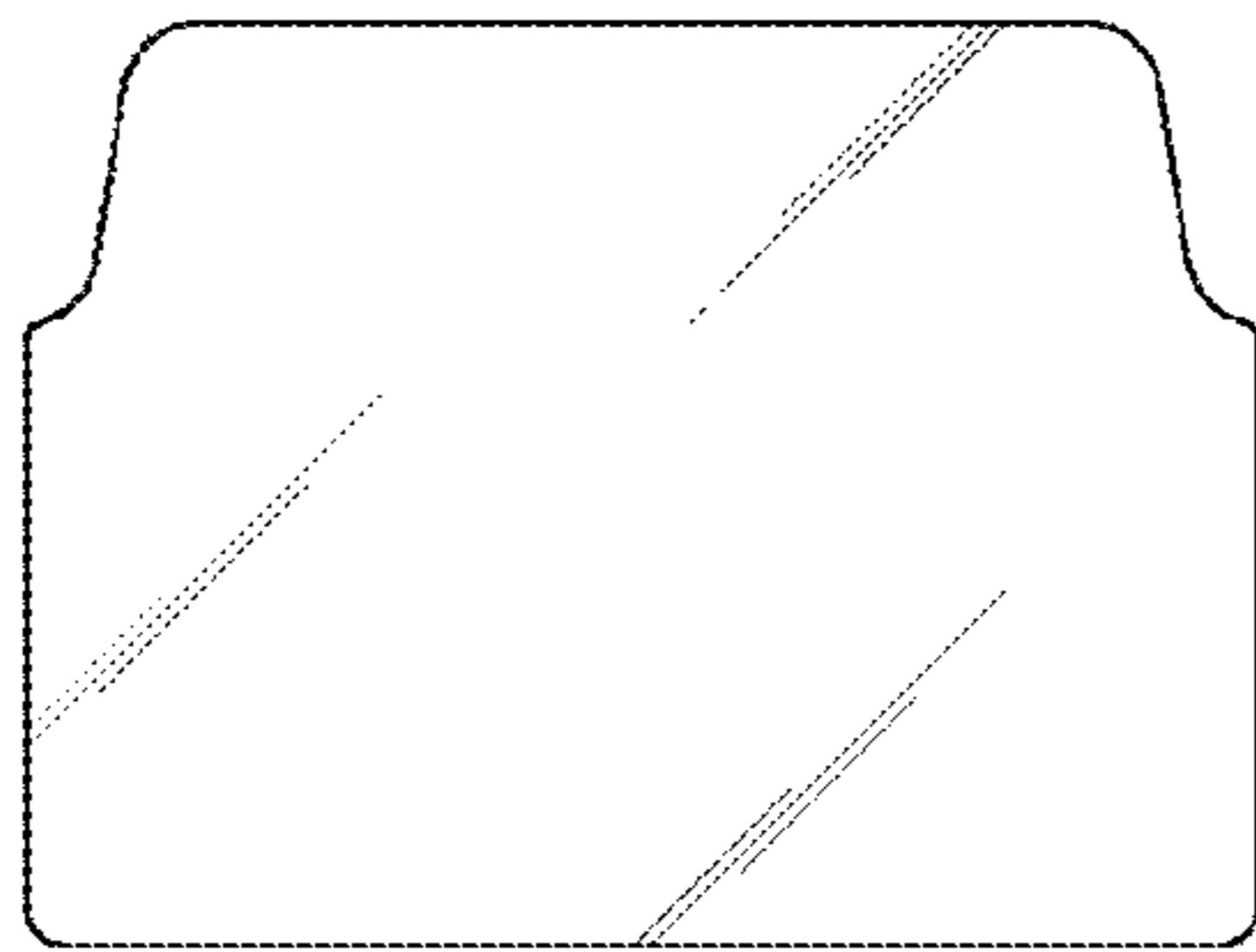


FIG. 3

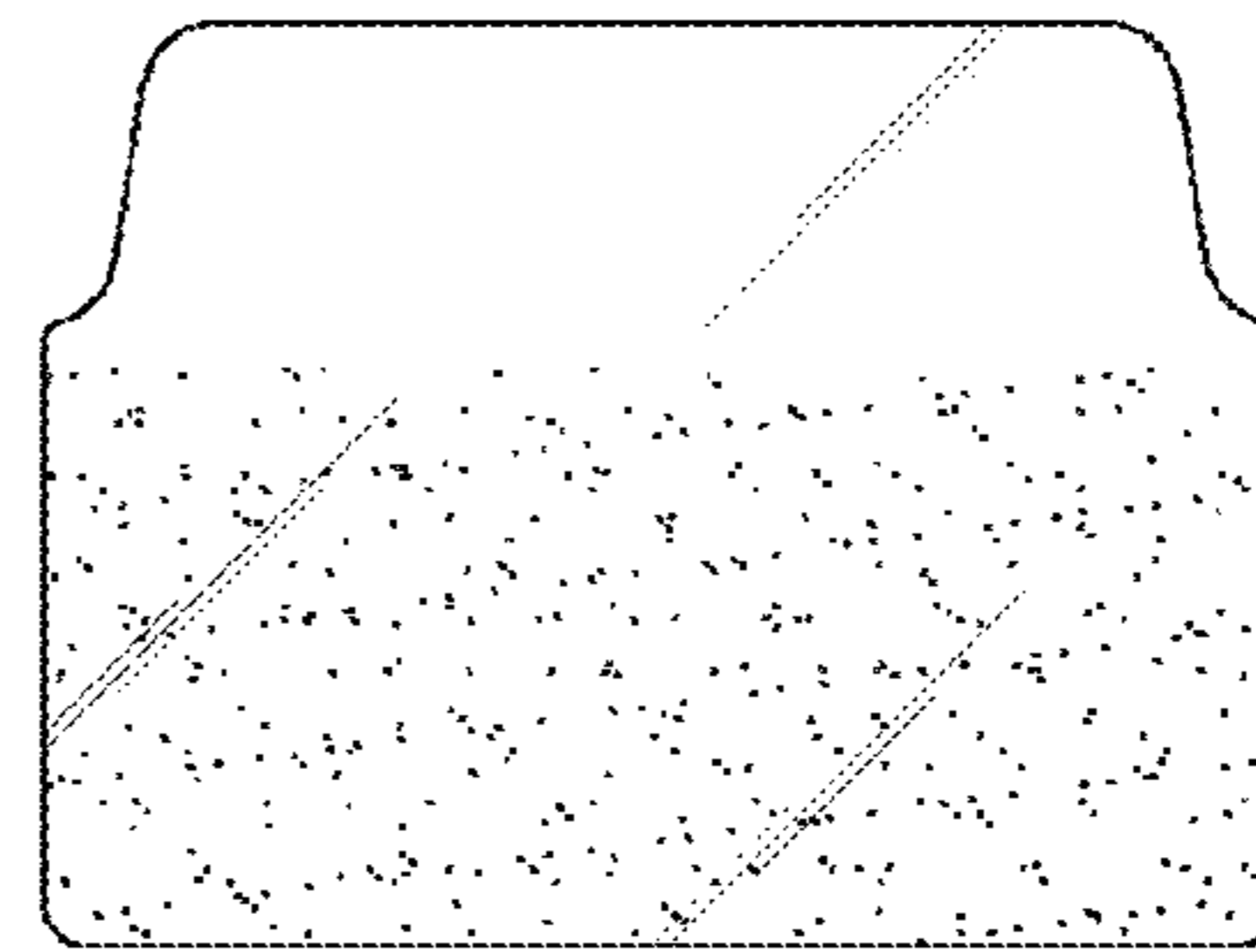


FIG. 4

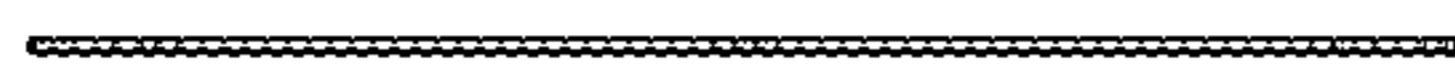


FIG. 5

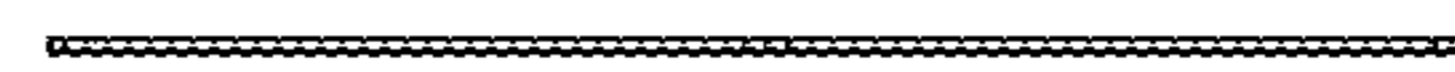


FIG. 6



FIG. 7

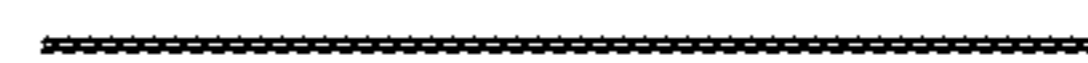


FIG. 8

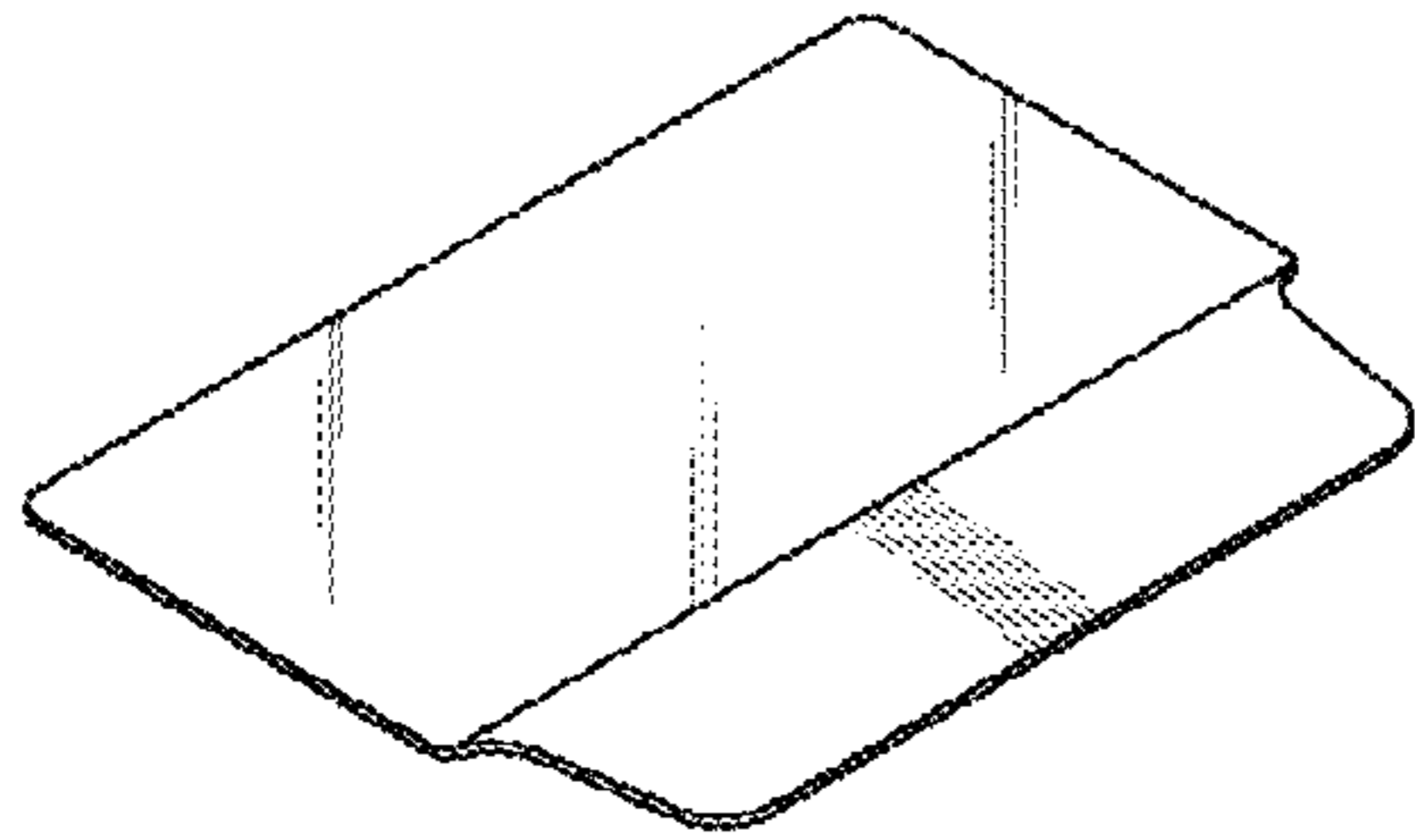


FIG. 9

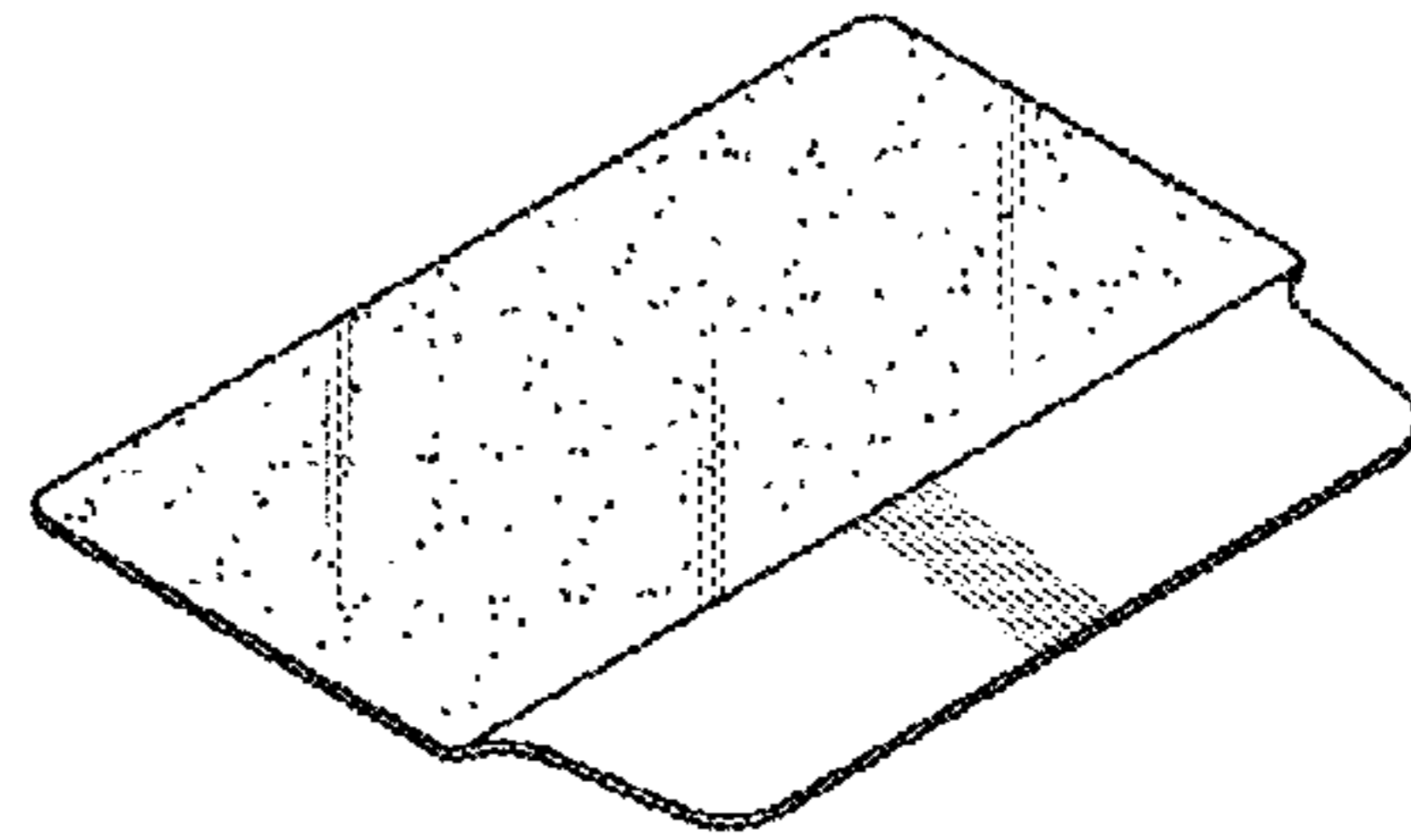


FIG. 10

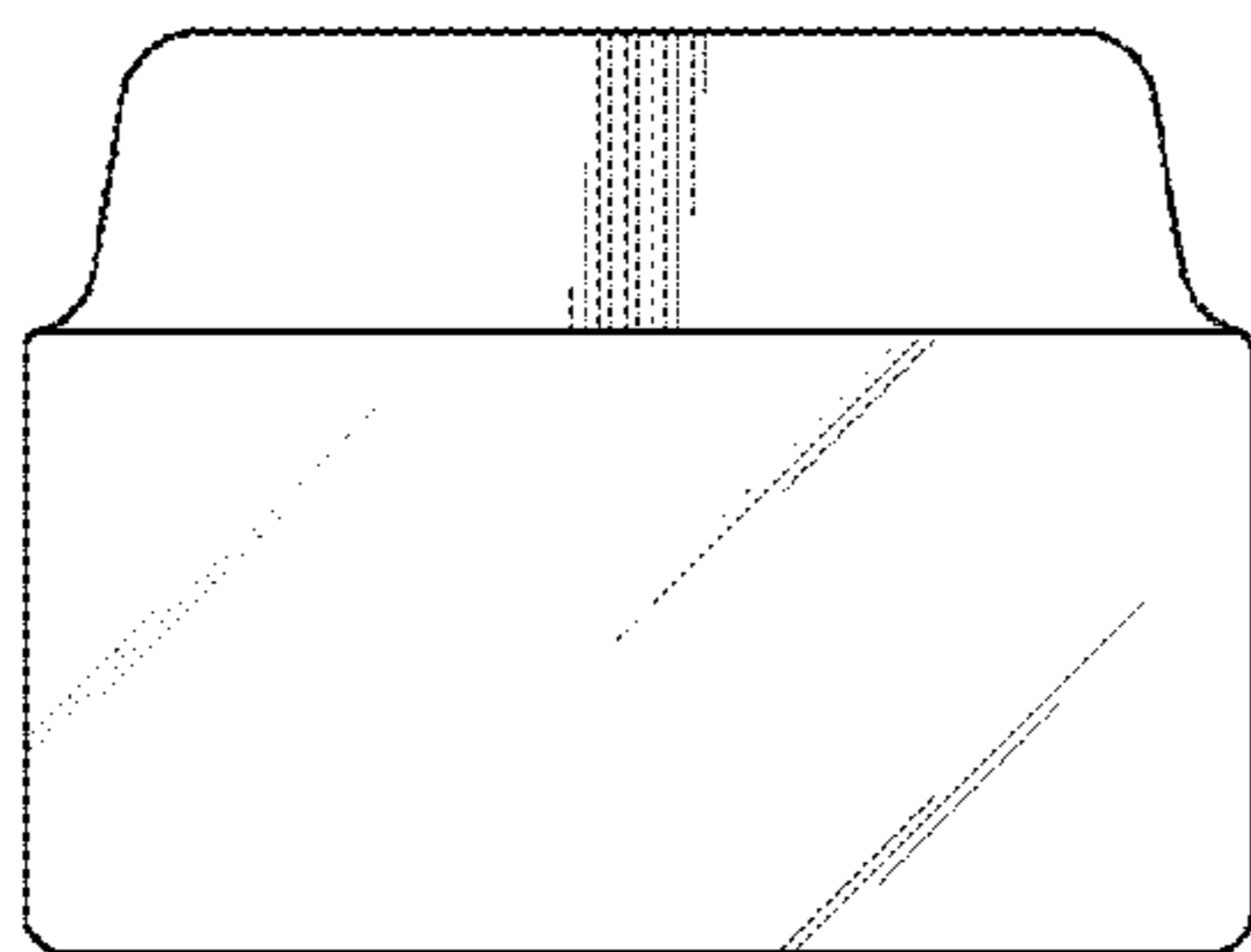


FIG. 11

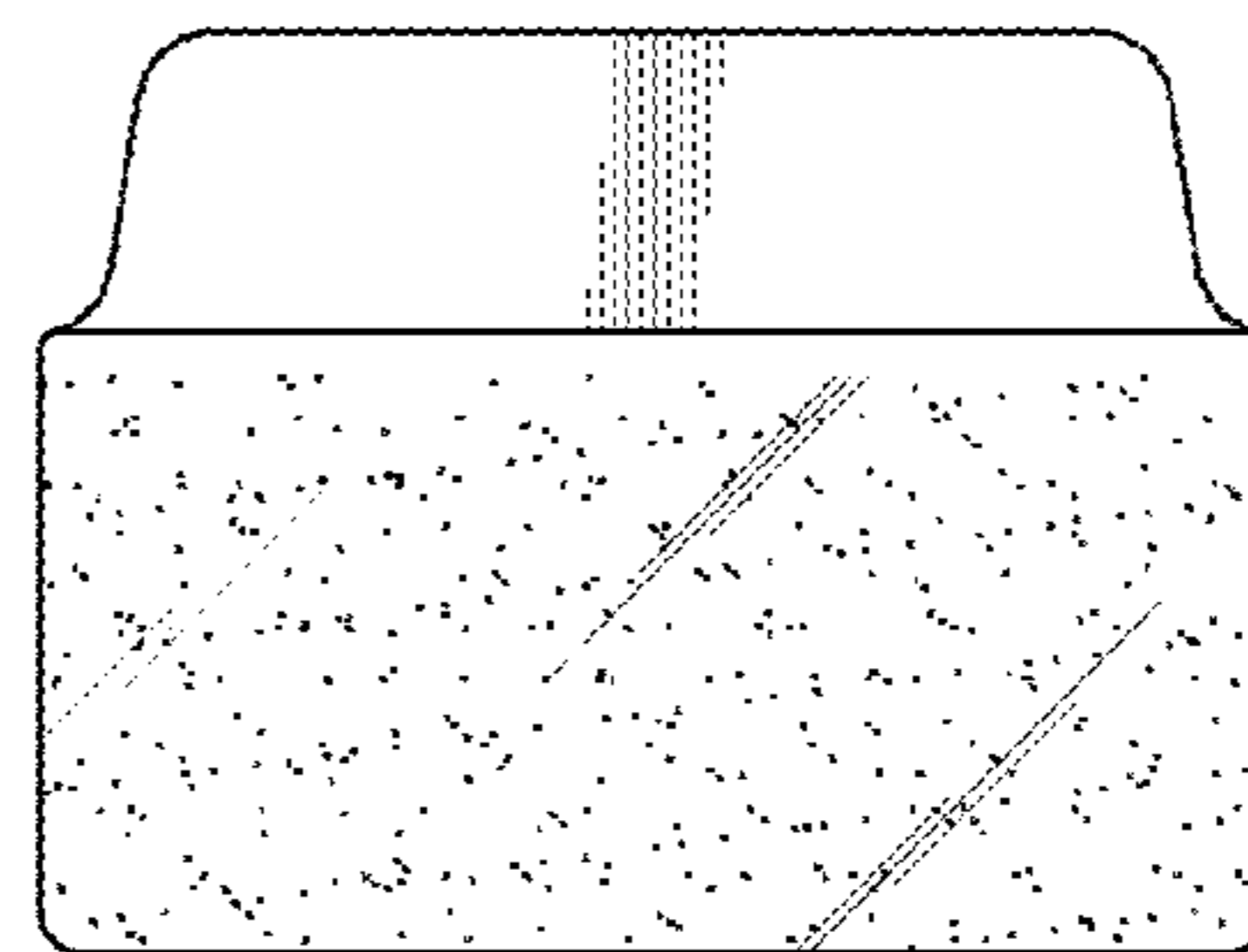


FIG. 12



FIG. 13



FIG. 14

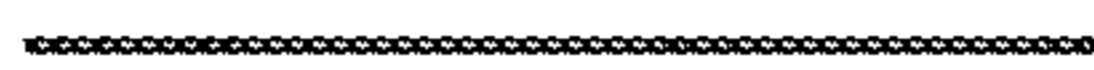


FIG. 15

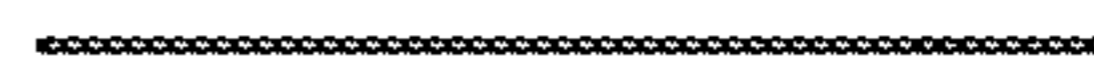


FIG. 16

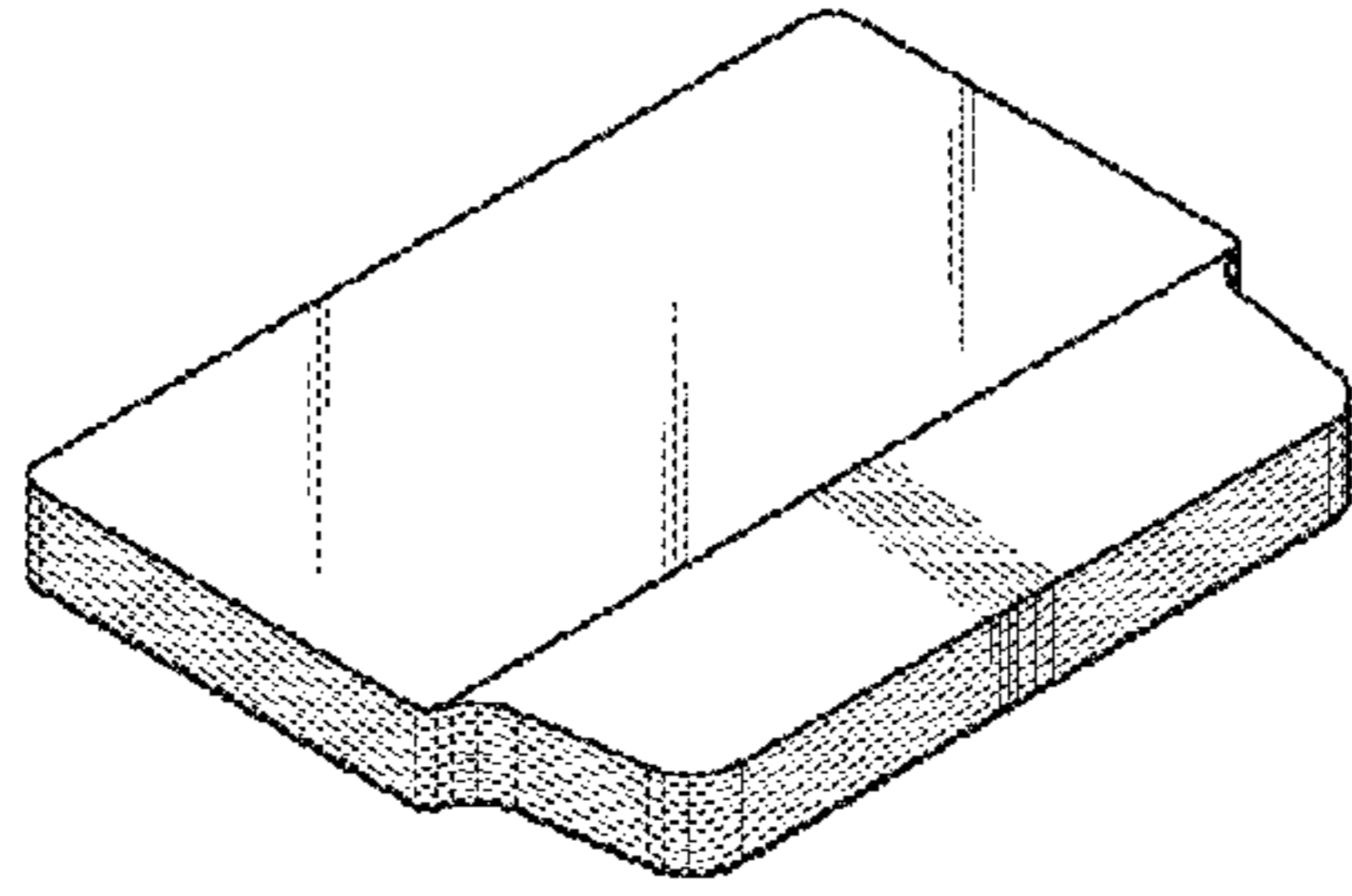


FIG. 17

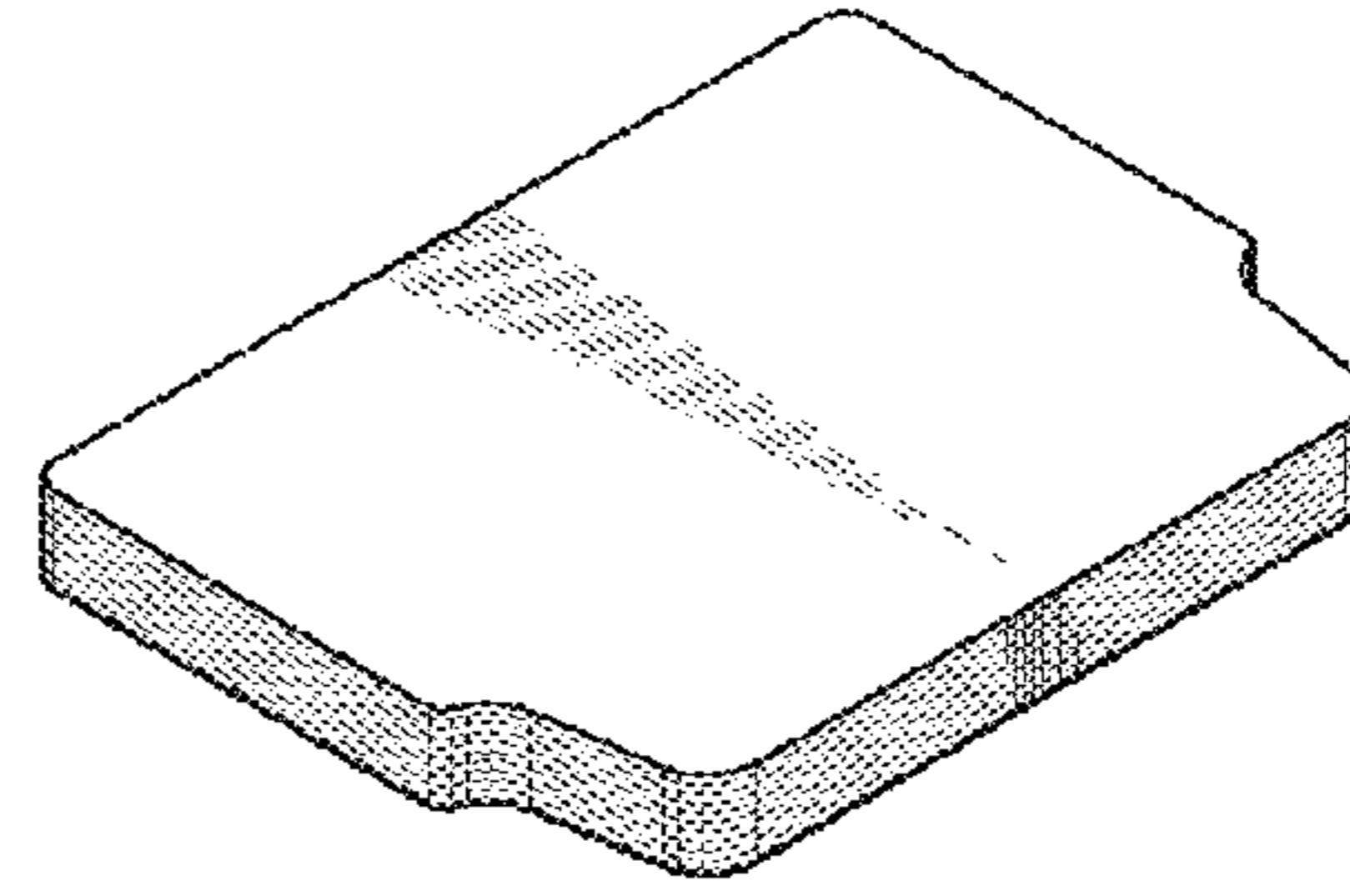


FIG. 18

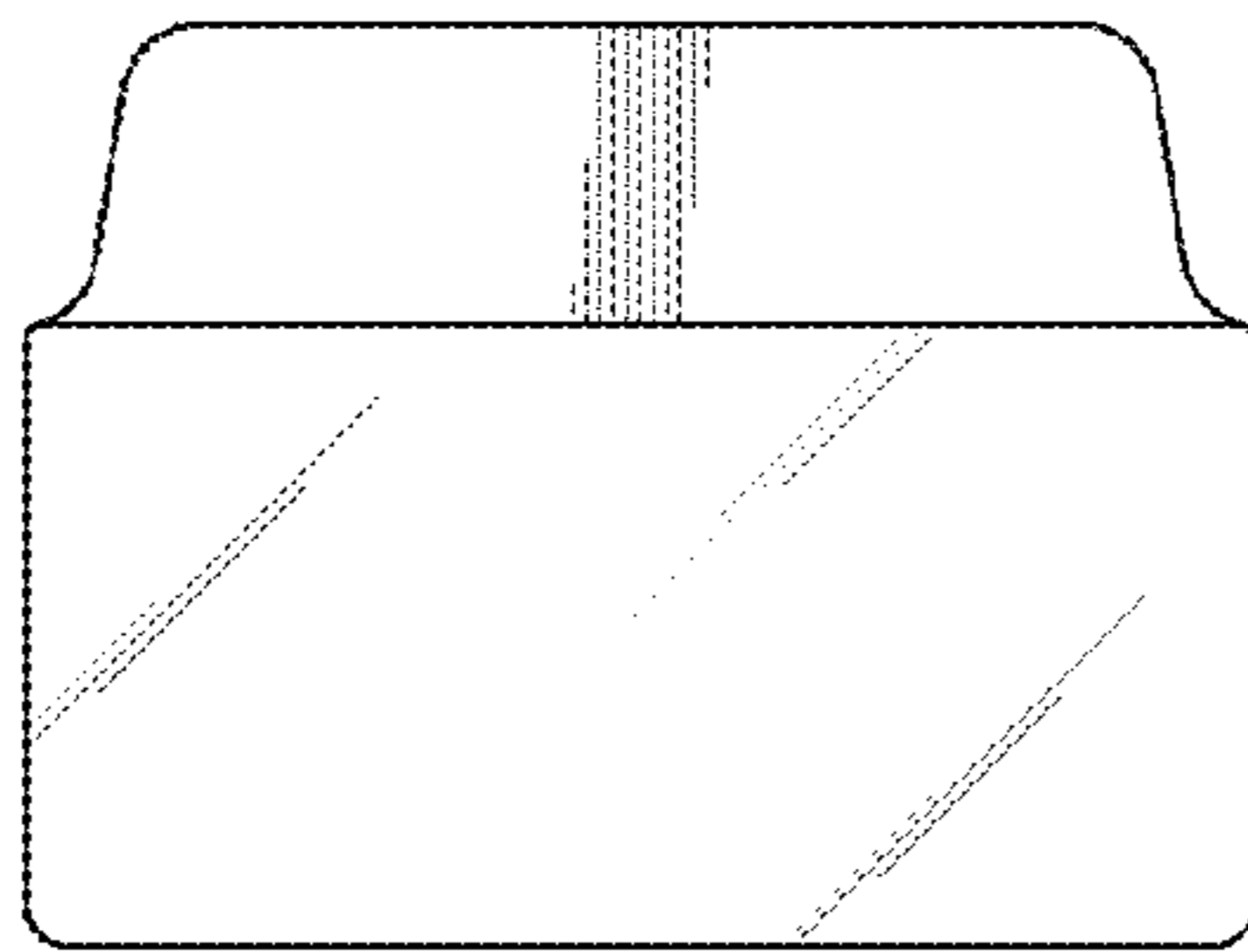


FIG. 19

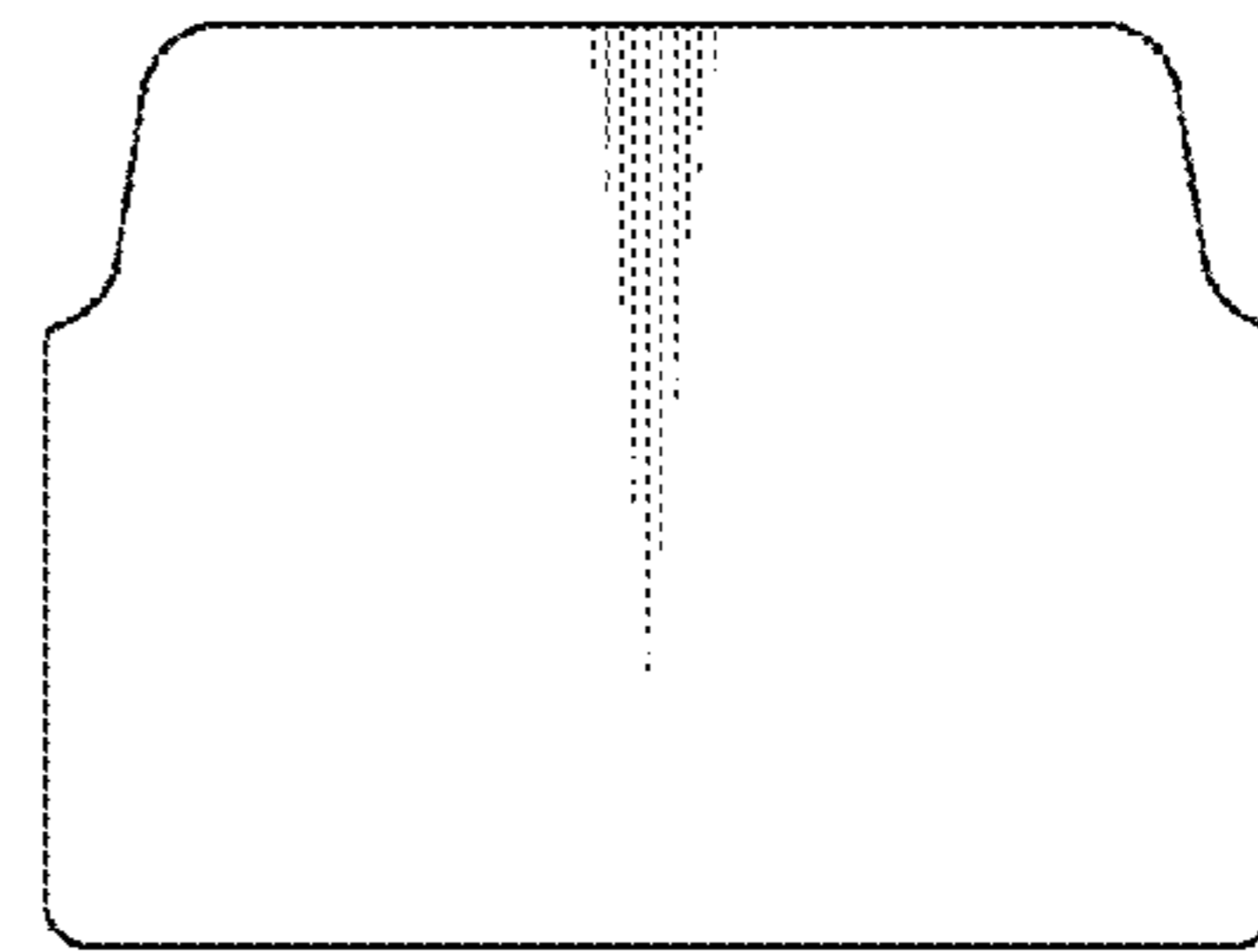


FIG. 20



FIG. 21

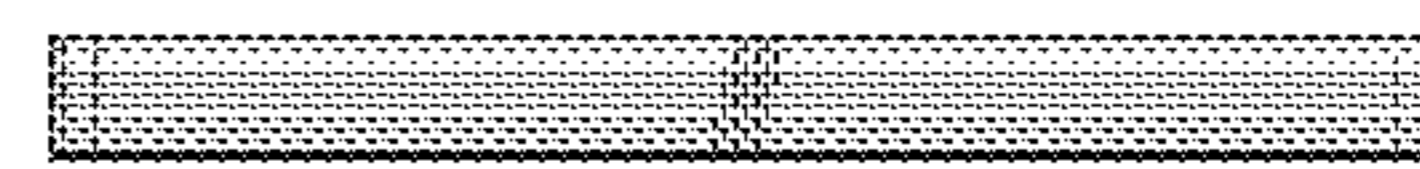


FIG. 22

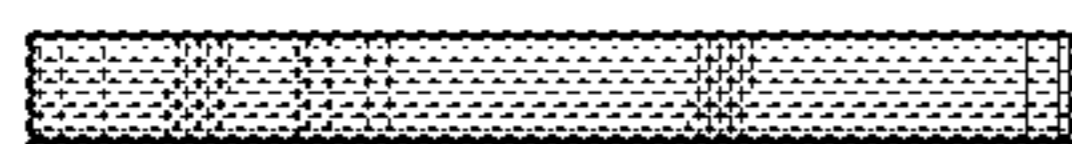


FIG. 23



FIG. 24

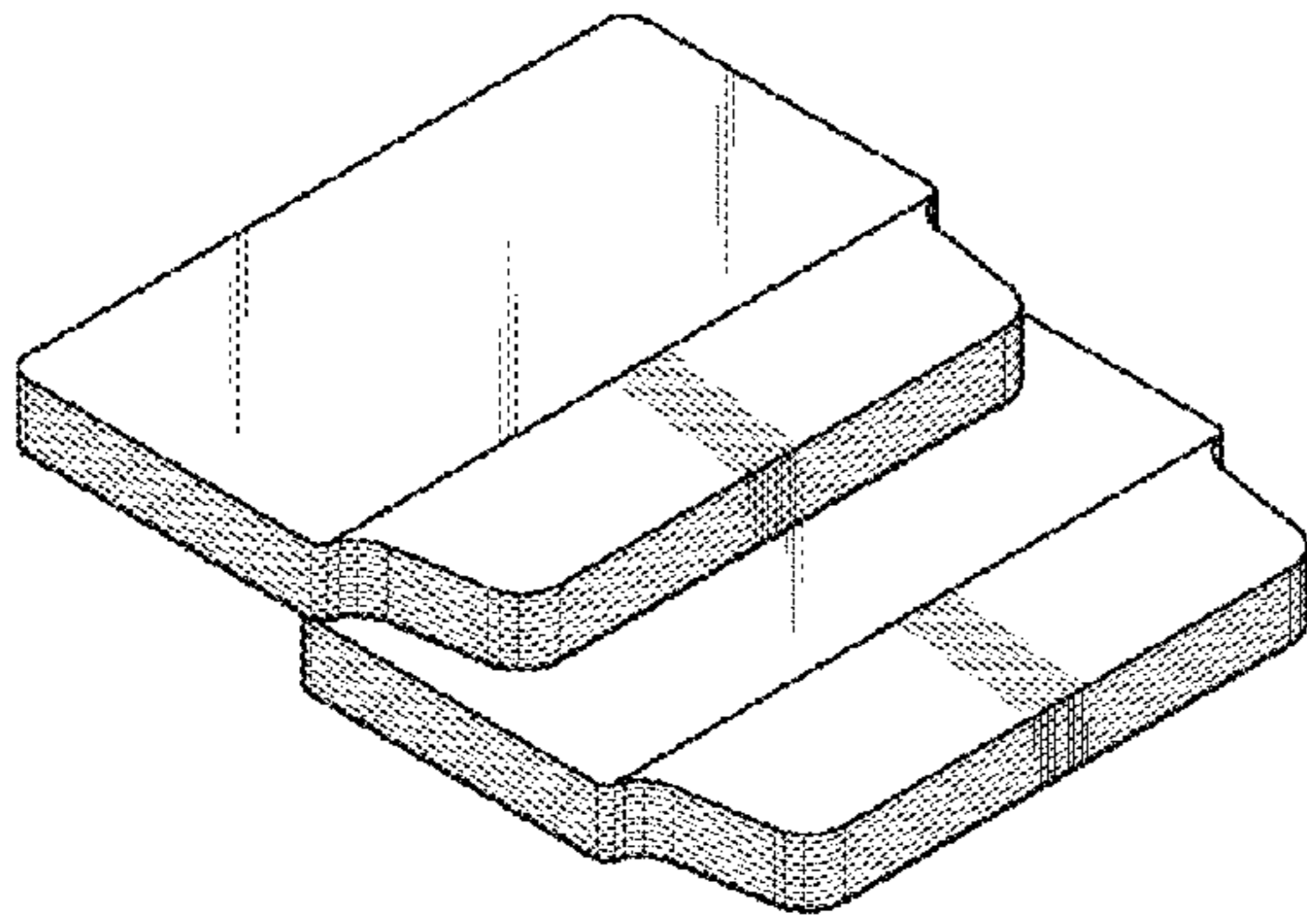


FIG. 25

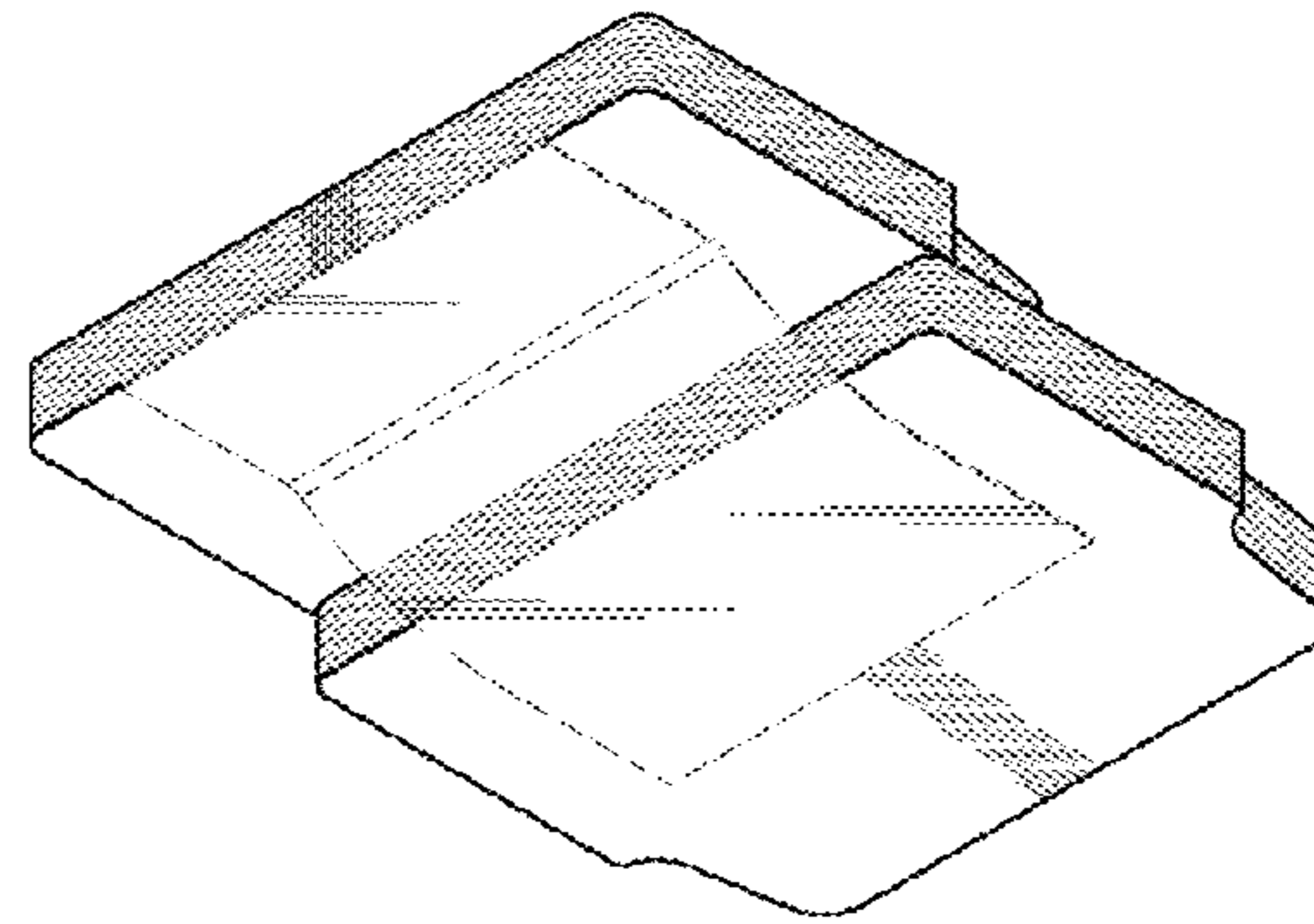


FIG. 26

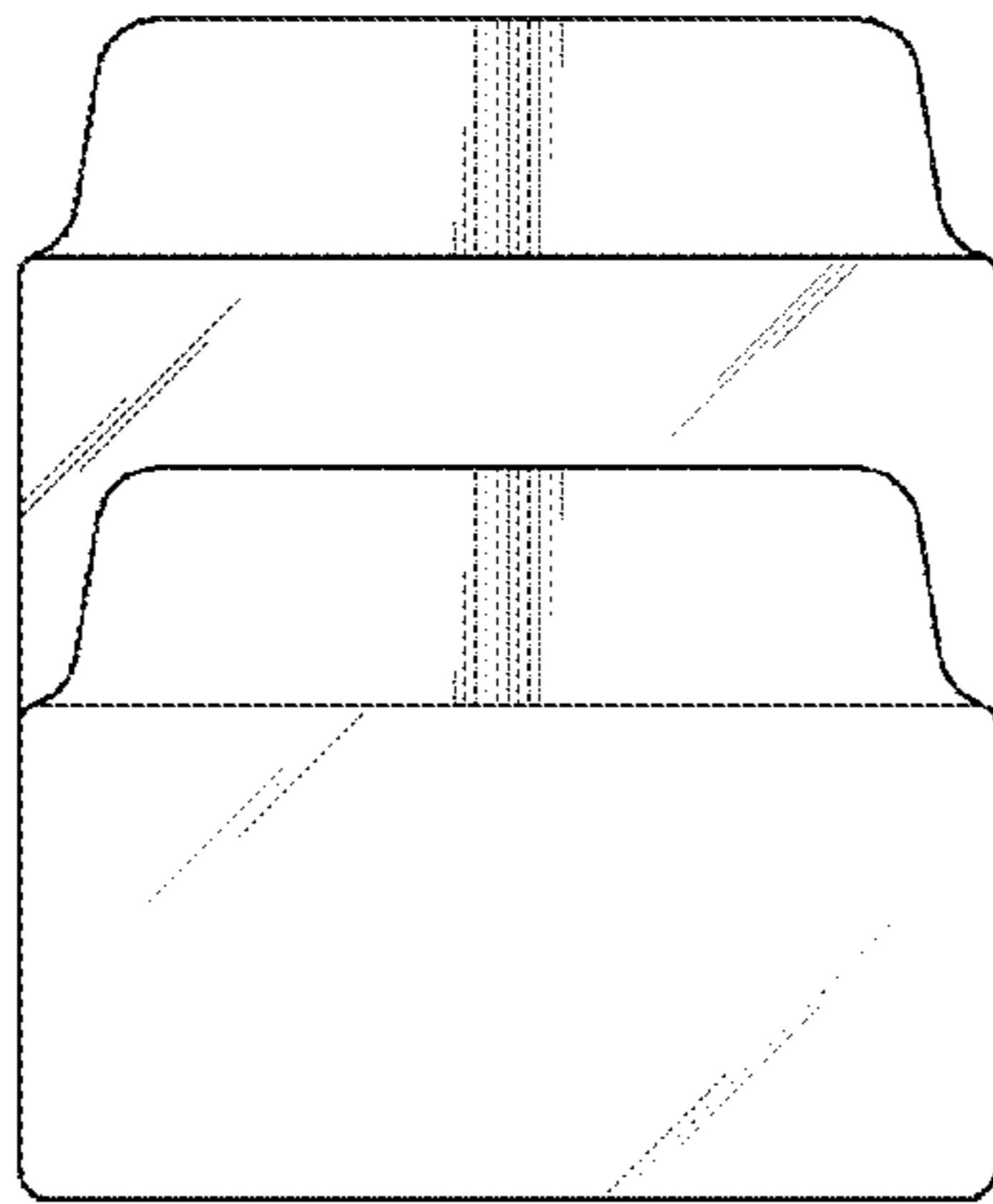


FIG. 27

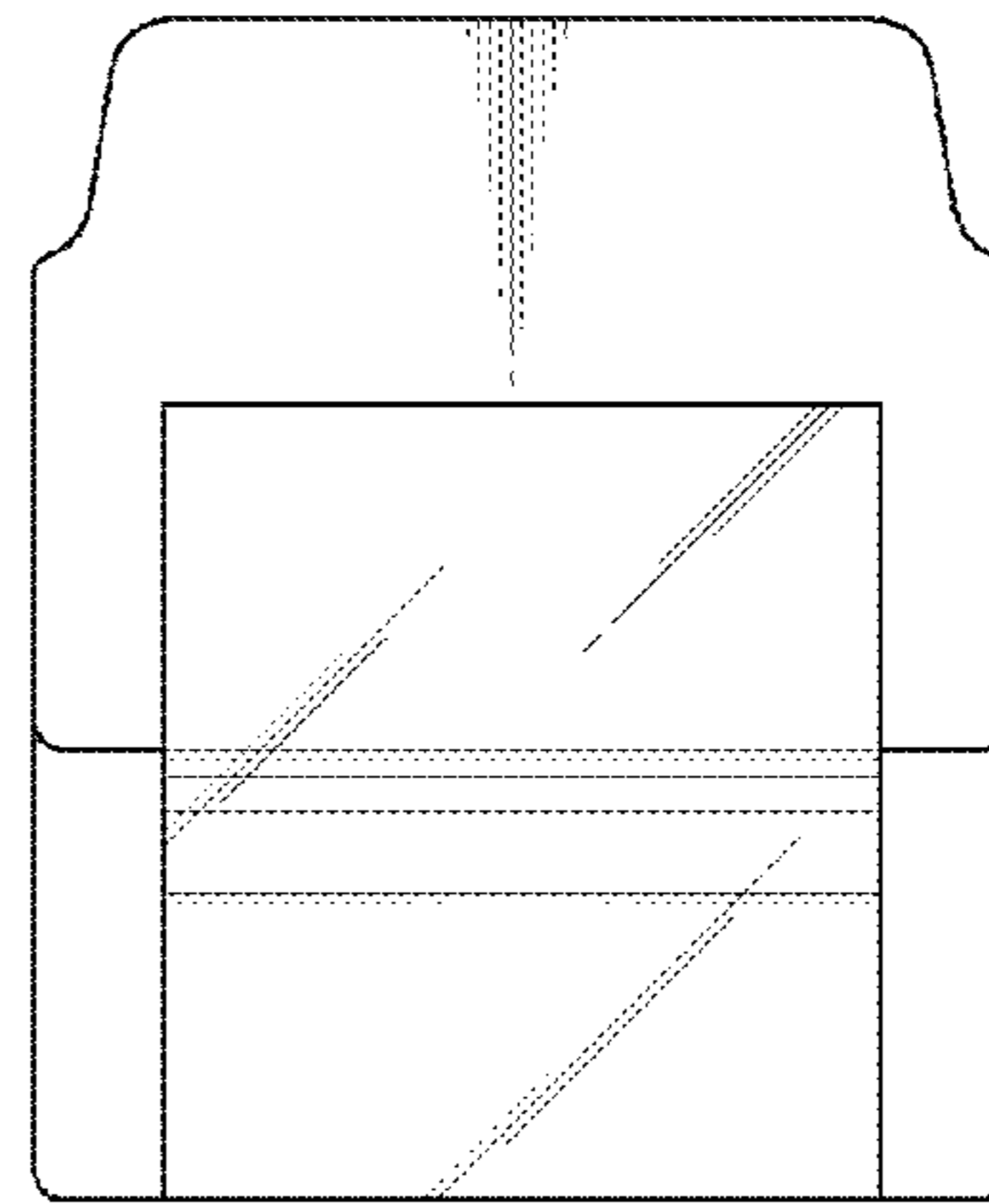


FIG. 28

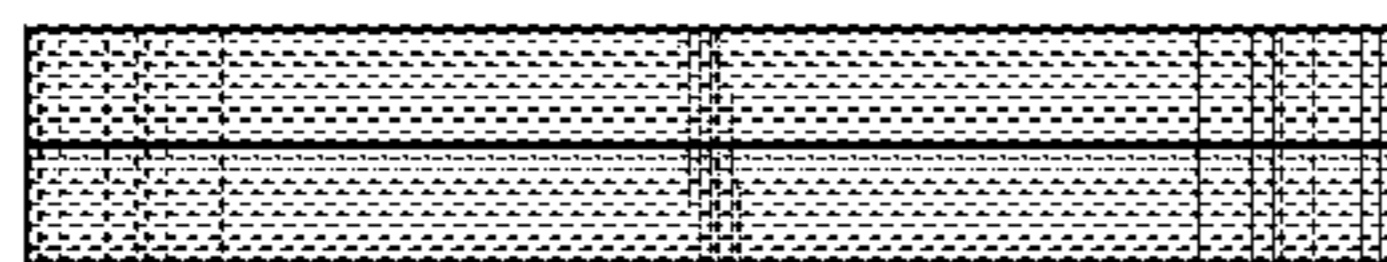


FIG. 29

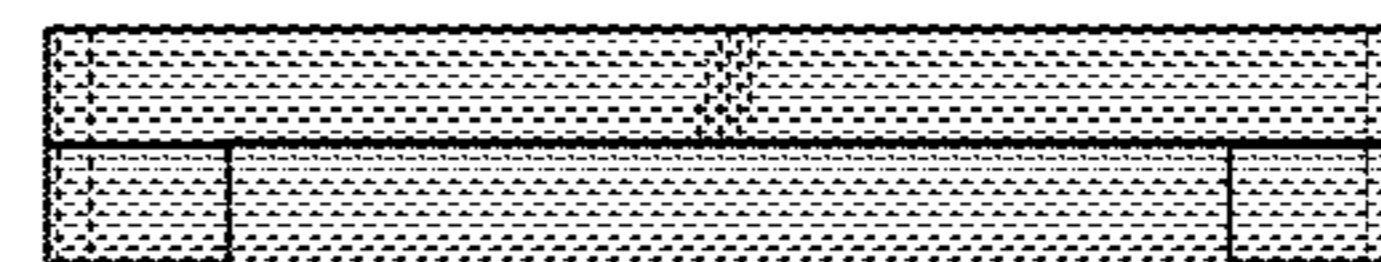


FIG. 30

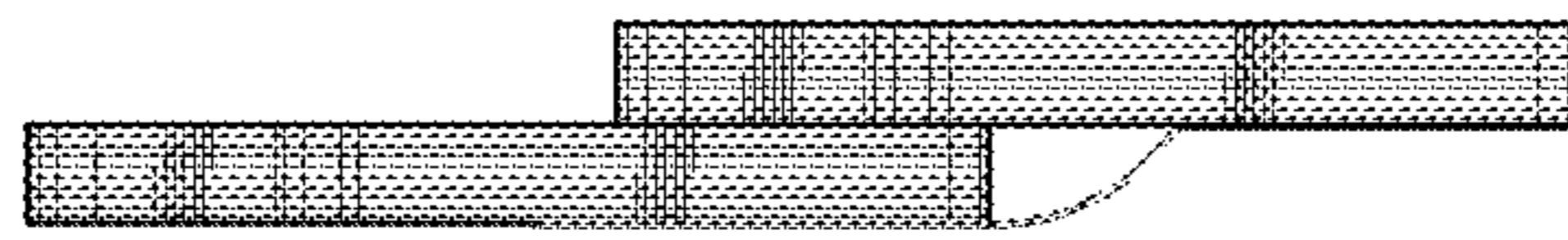


FIG. 31



FIG. 32

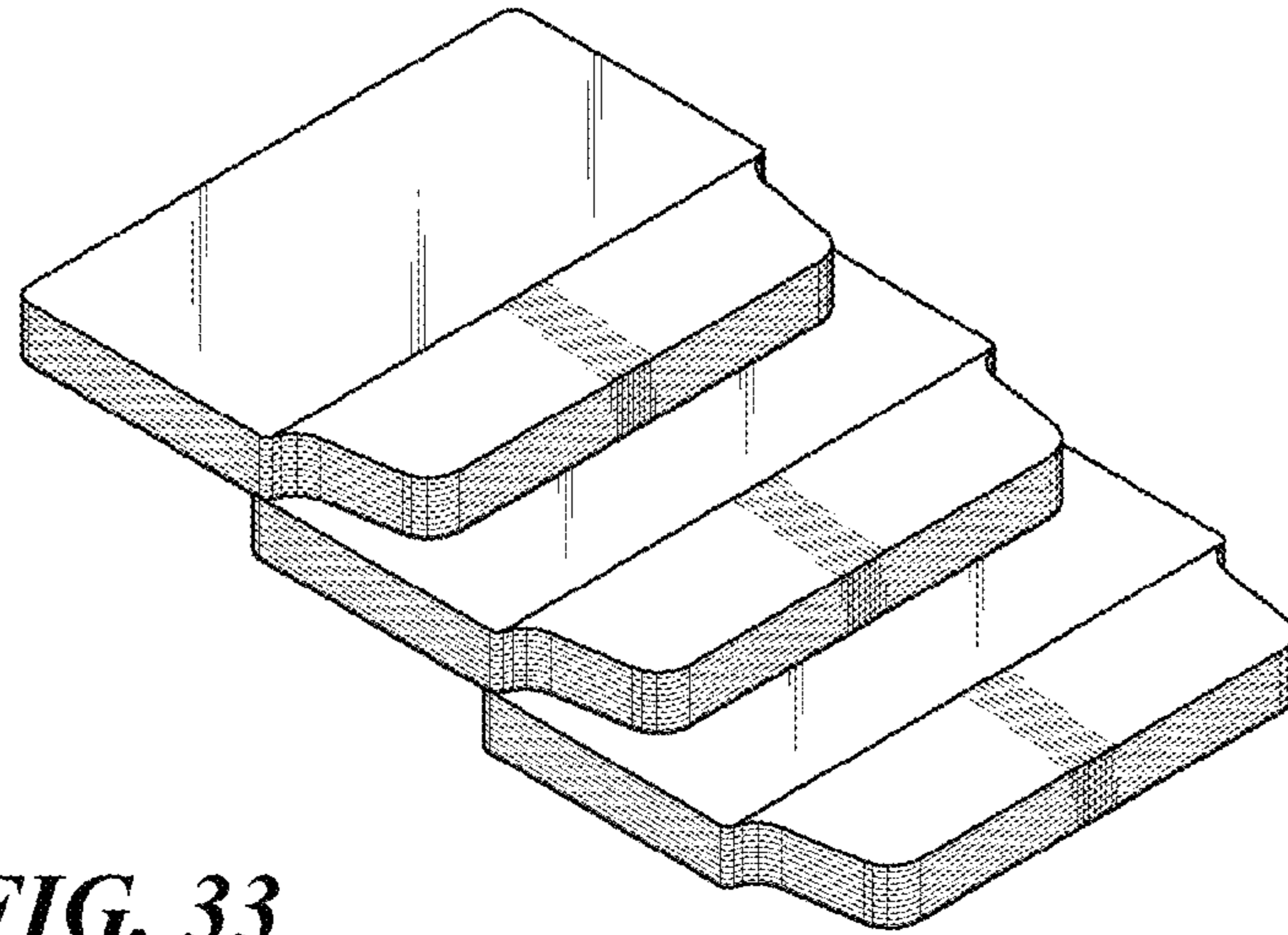


FIG. 33

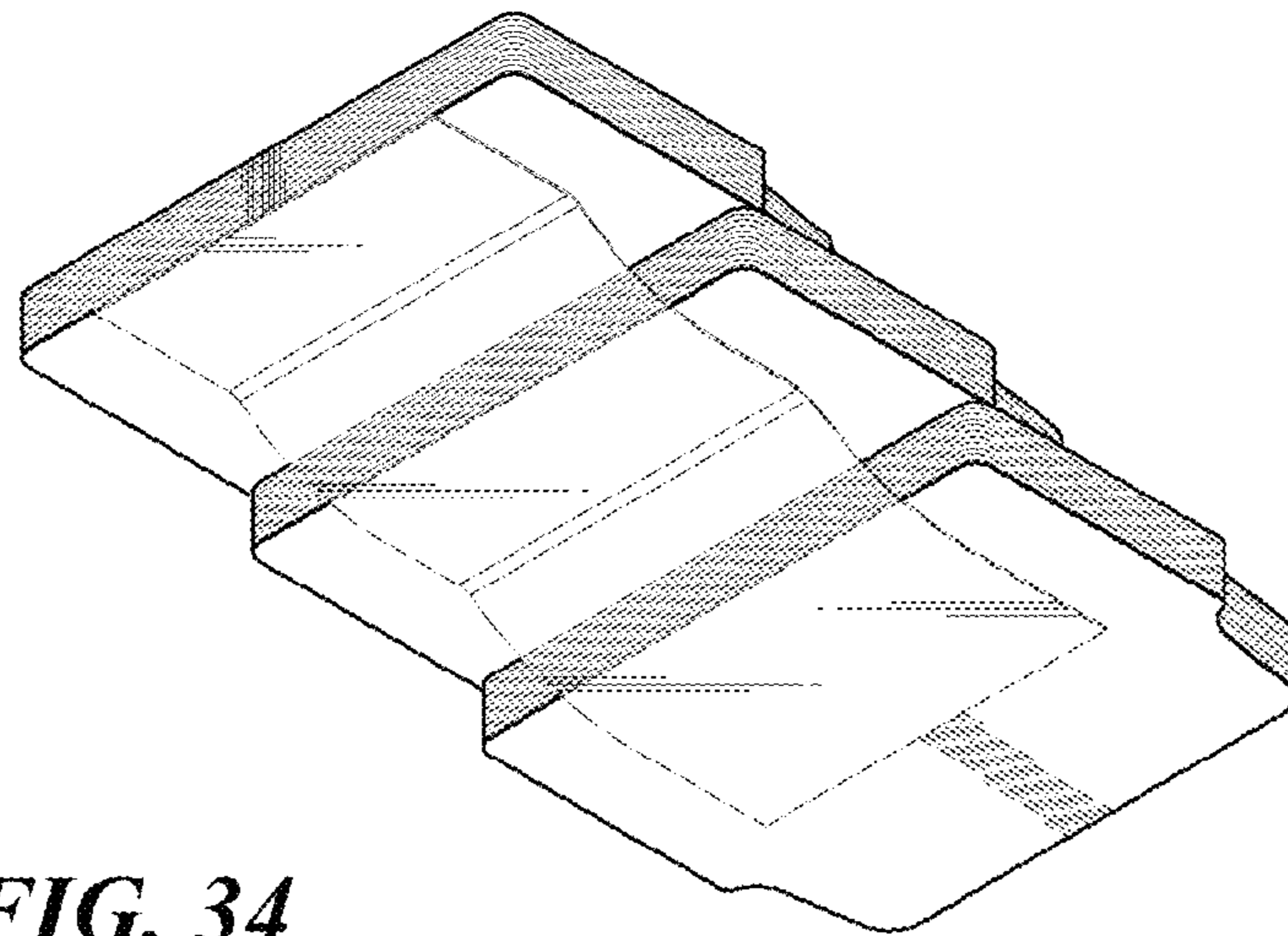


FIG. 34

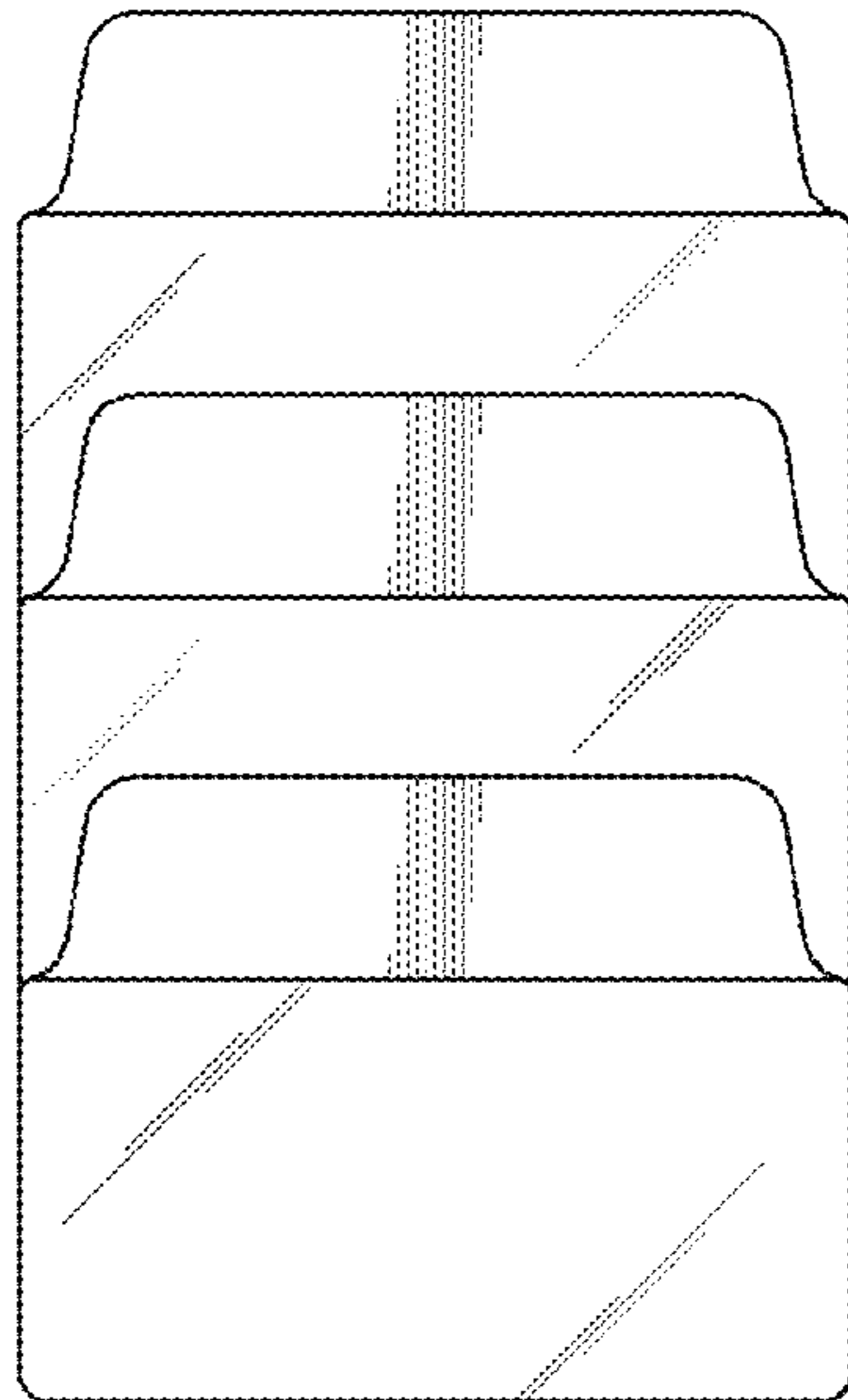


FIG. 35

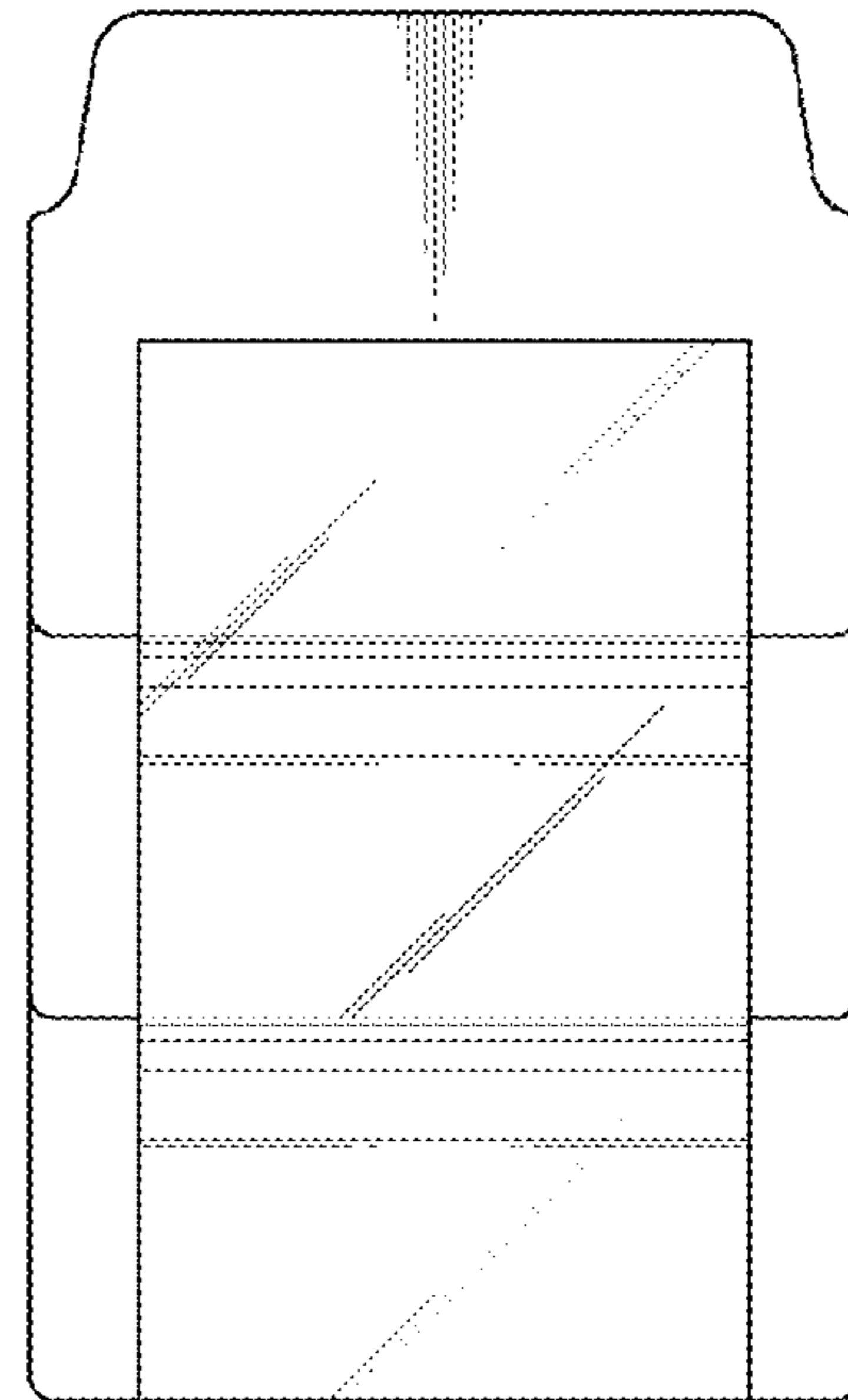


FIG. 36

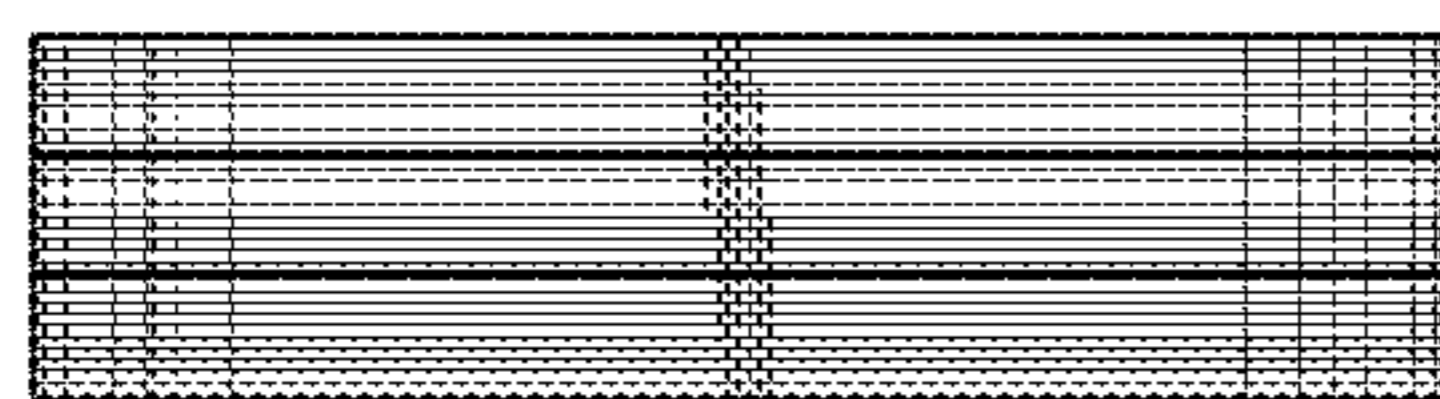


FIG. 37

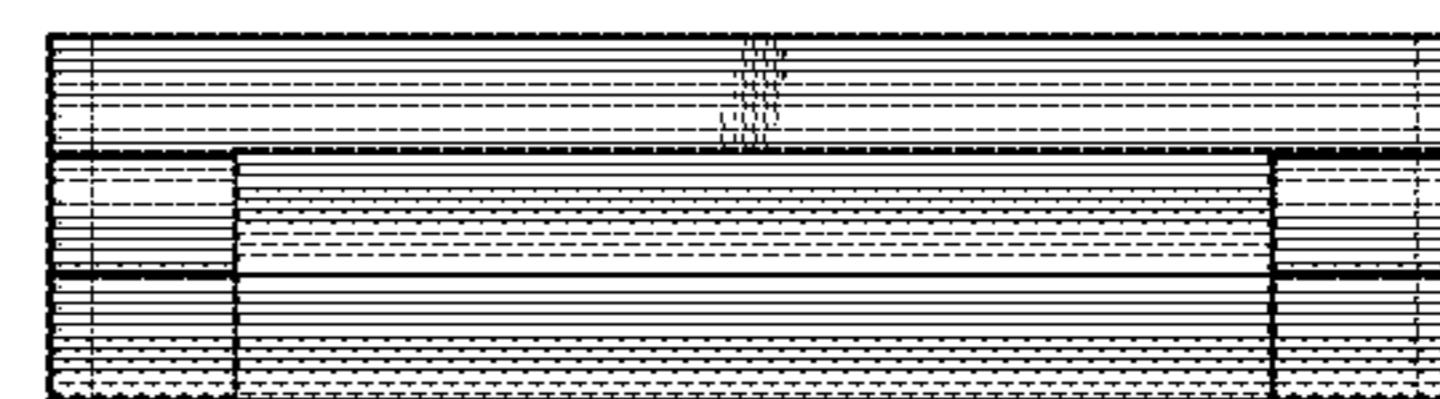


FIG. 38

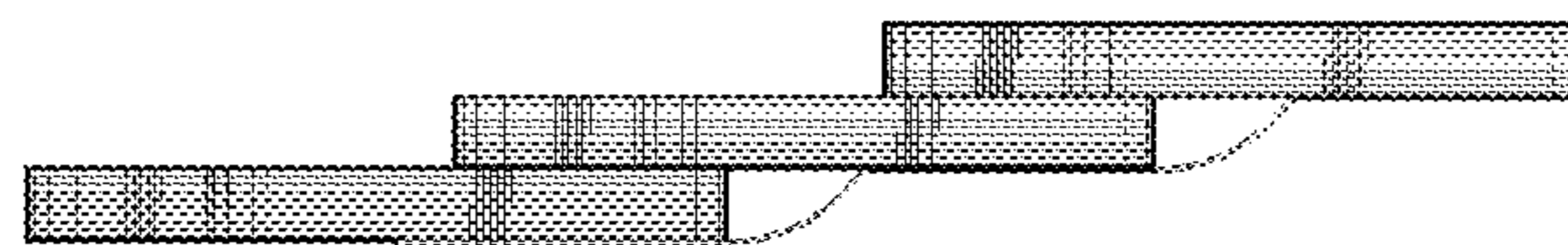


FIG. 39

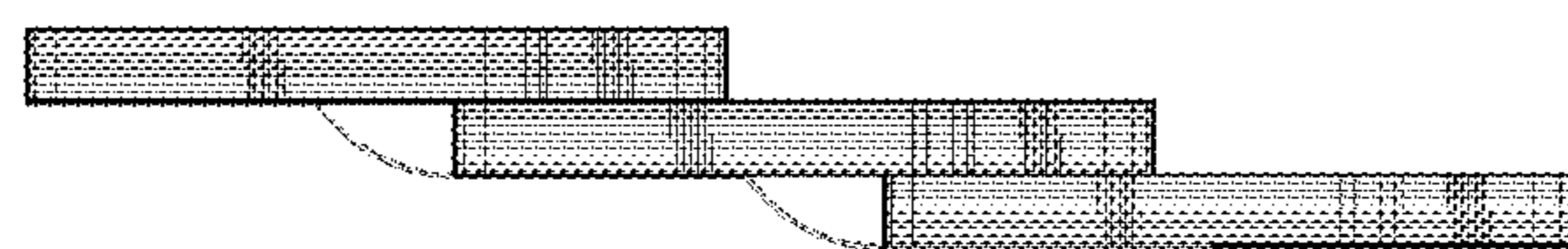


FIG. 40

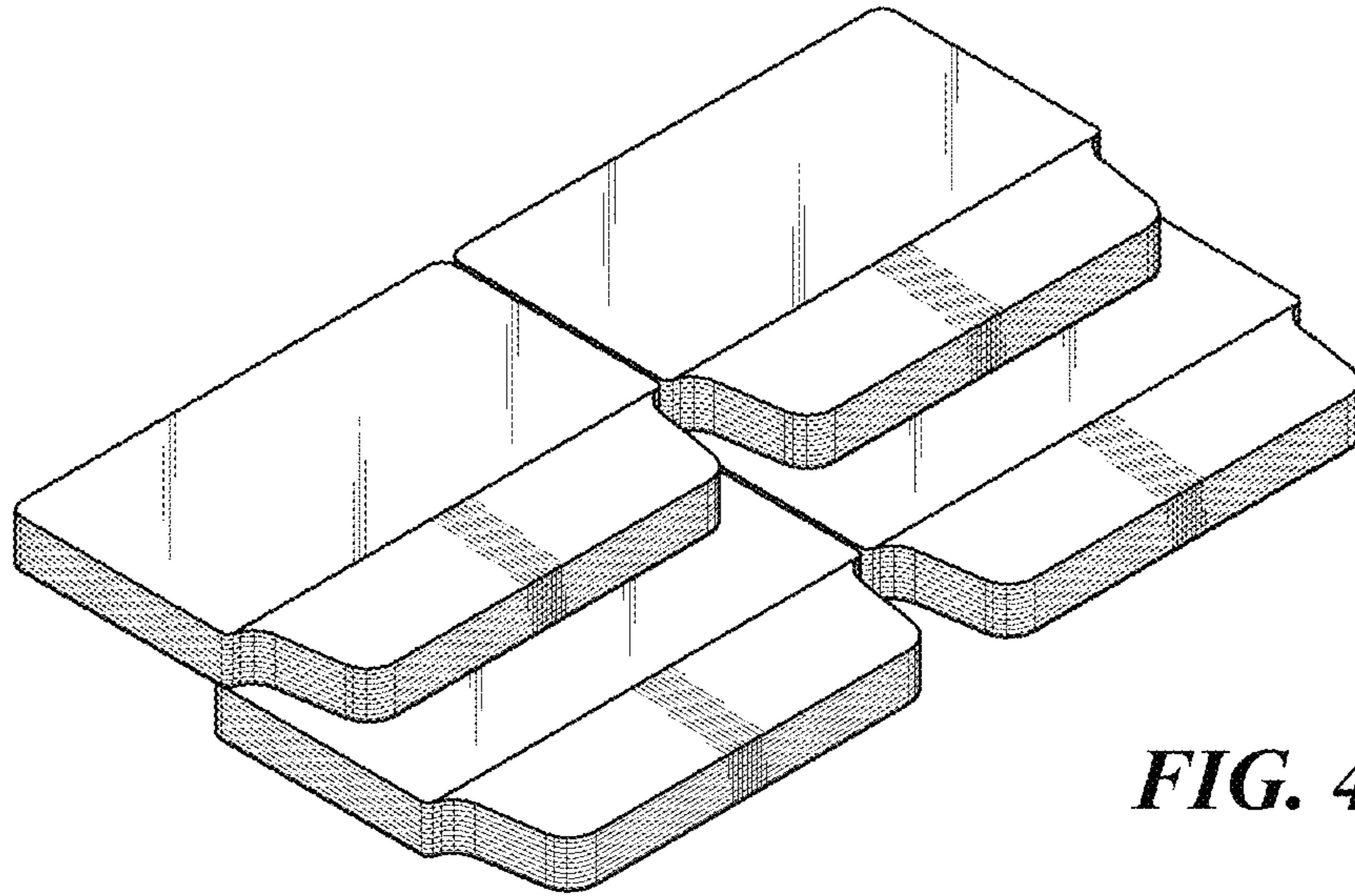


FIG. 41

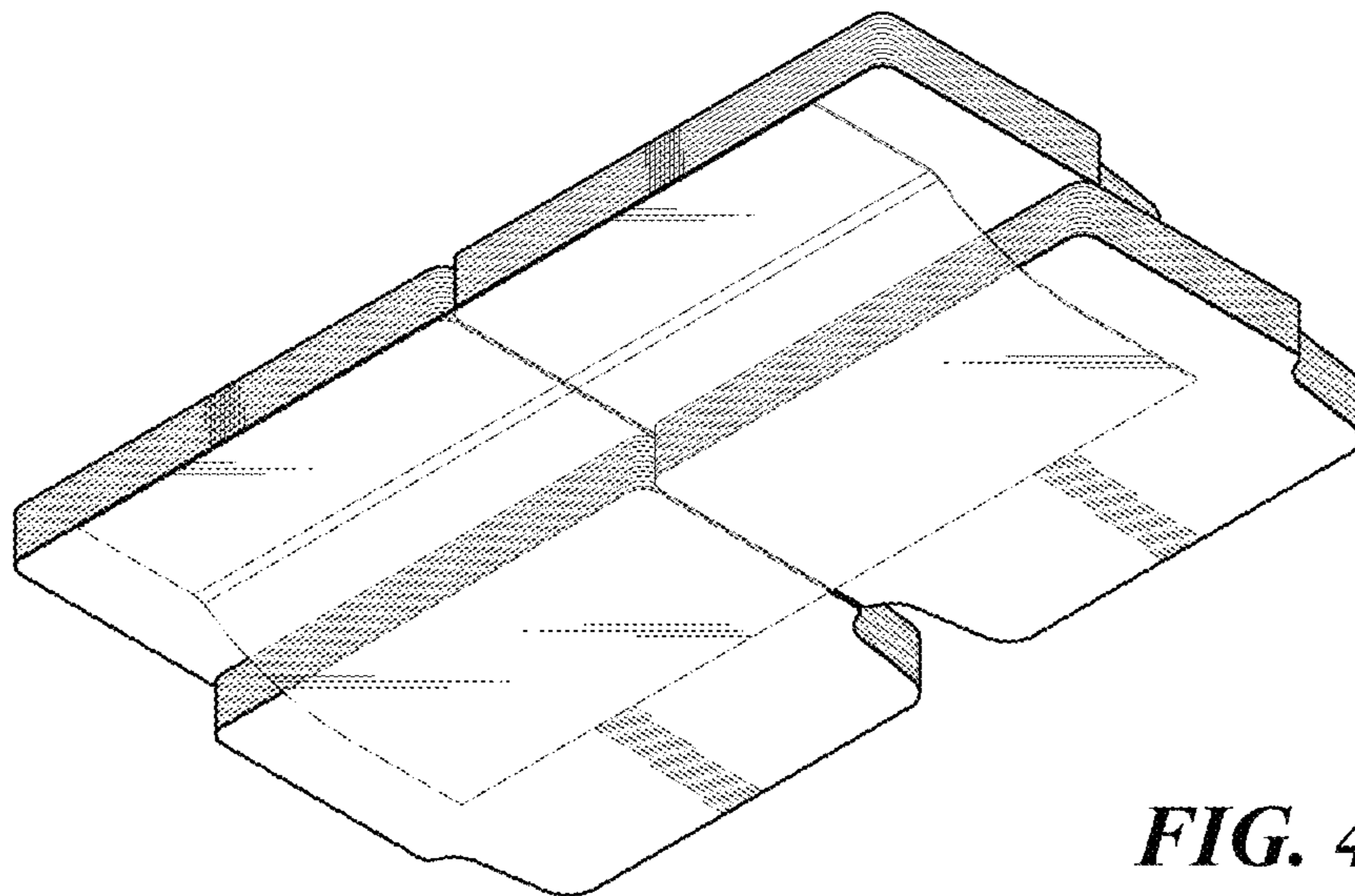


FIG. 42

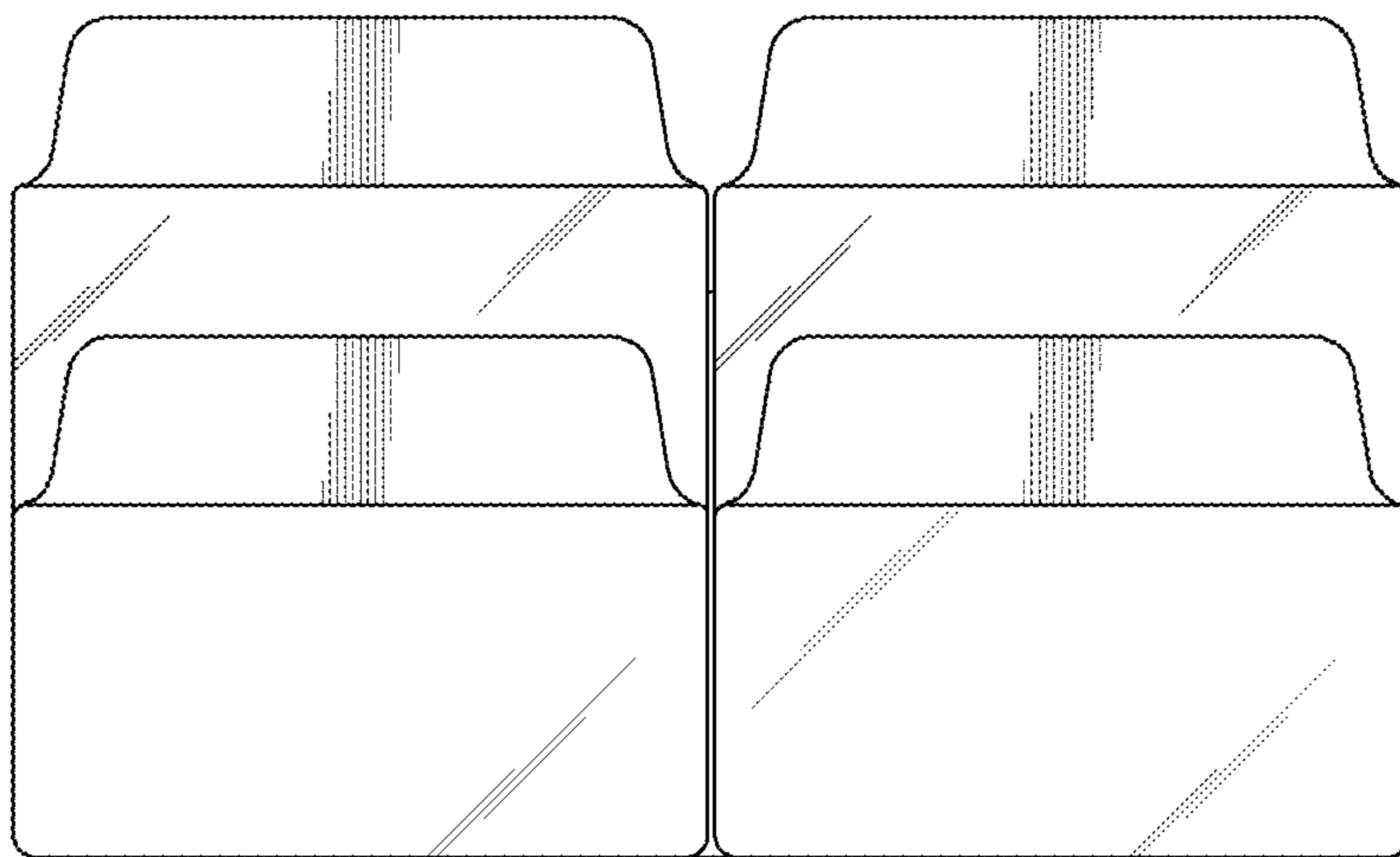


FIG. 43

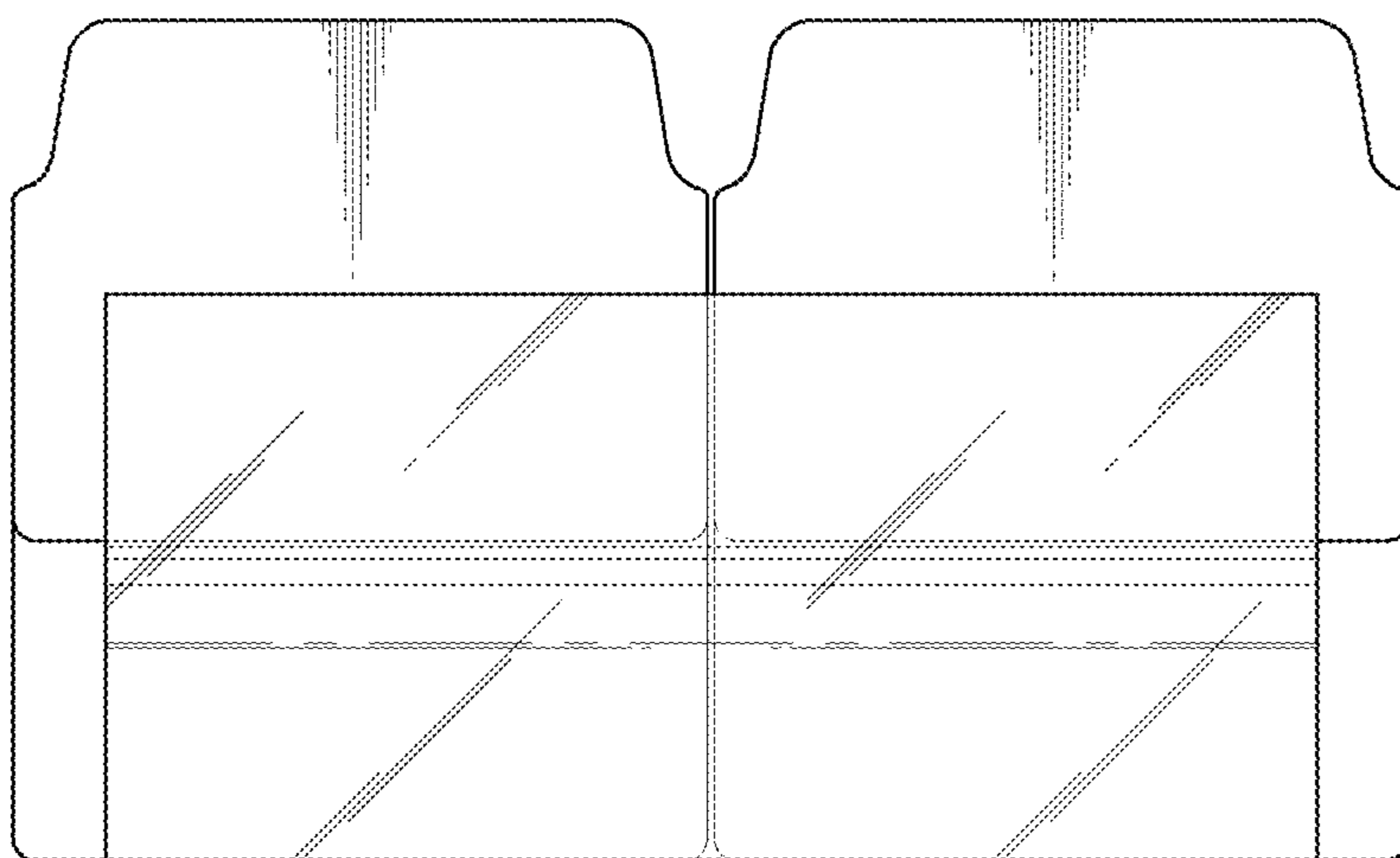


FIG. 44

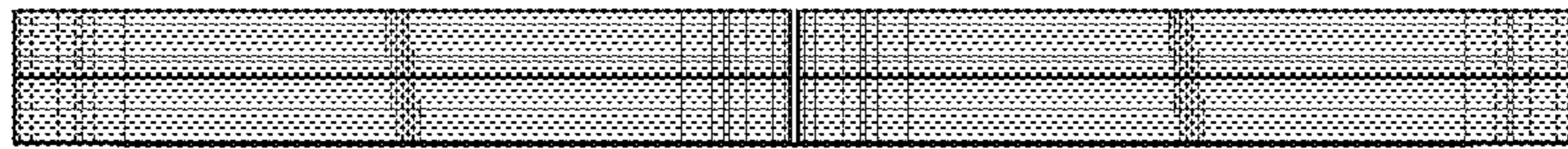


FIG. 45

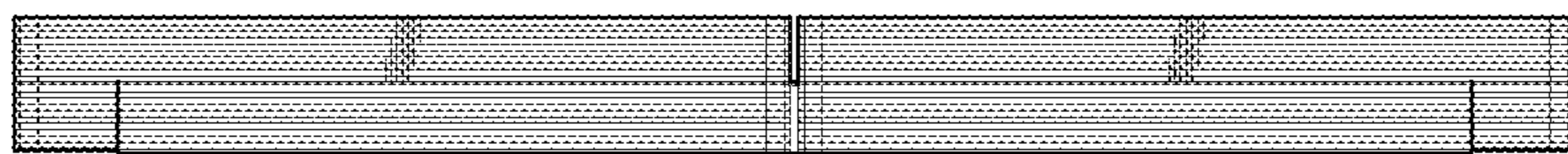


FIG. 46

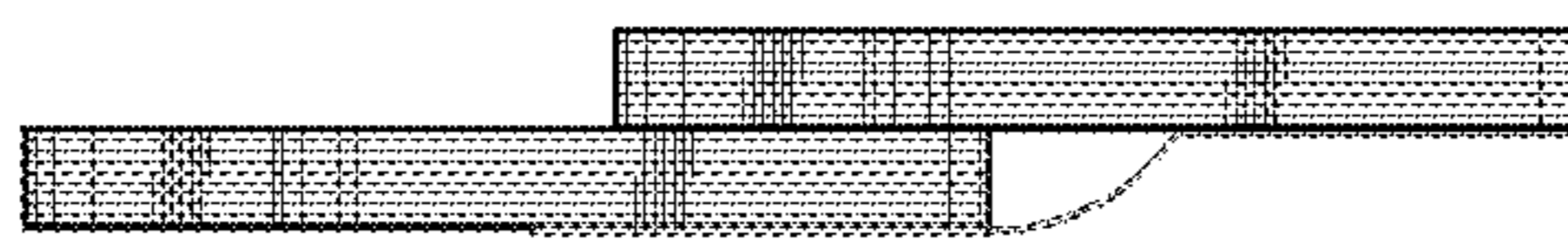


FIG. 47



FIG. 48

FIG. 49

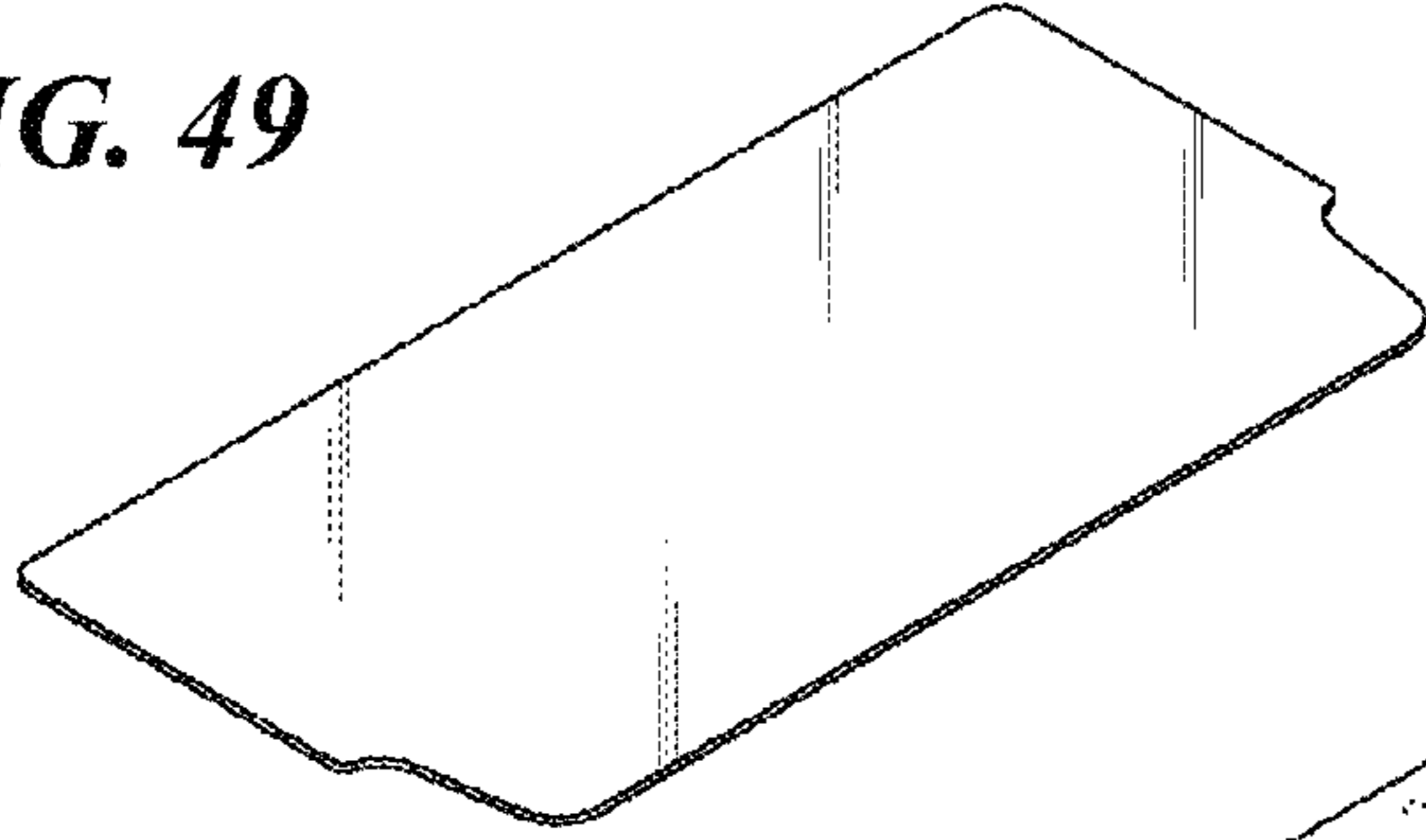


FIG. 50

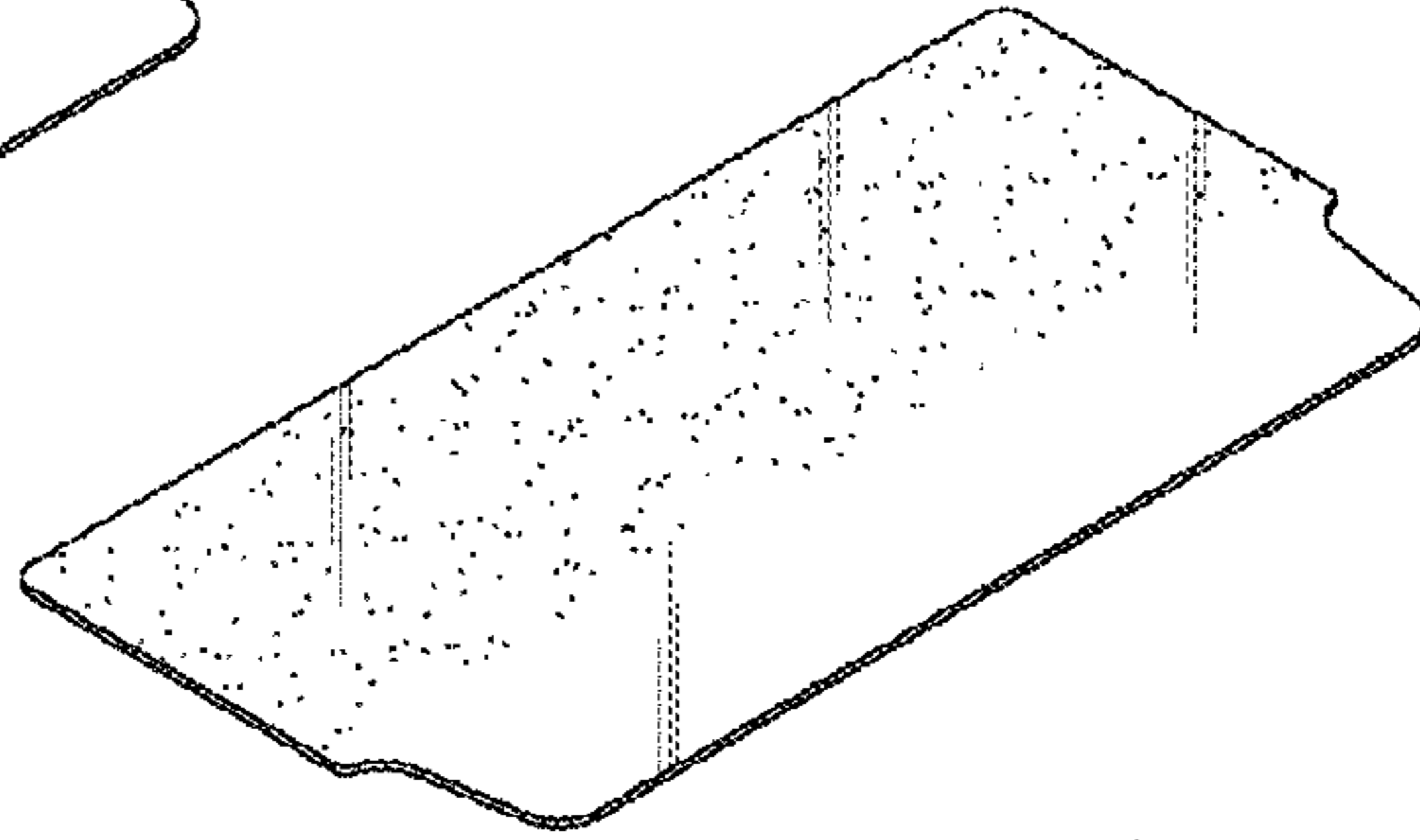


FIG. 51

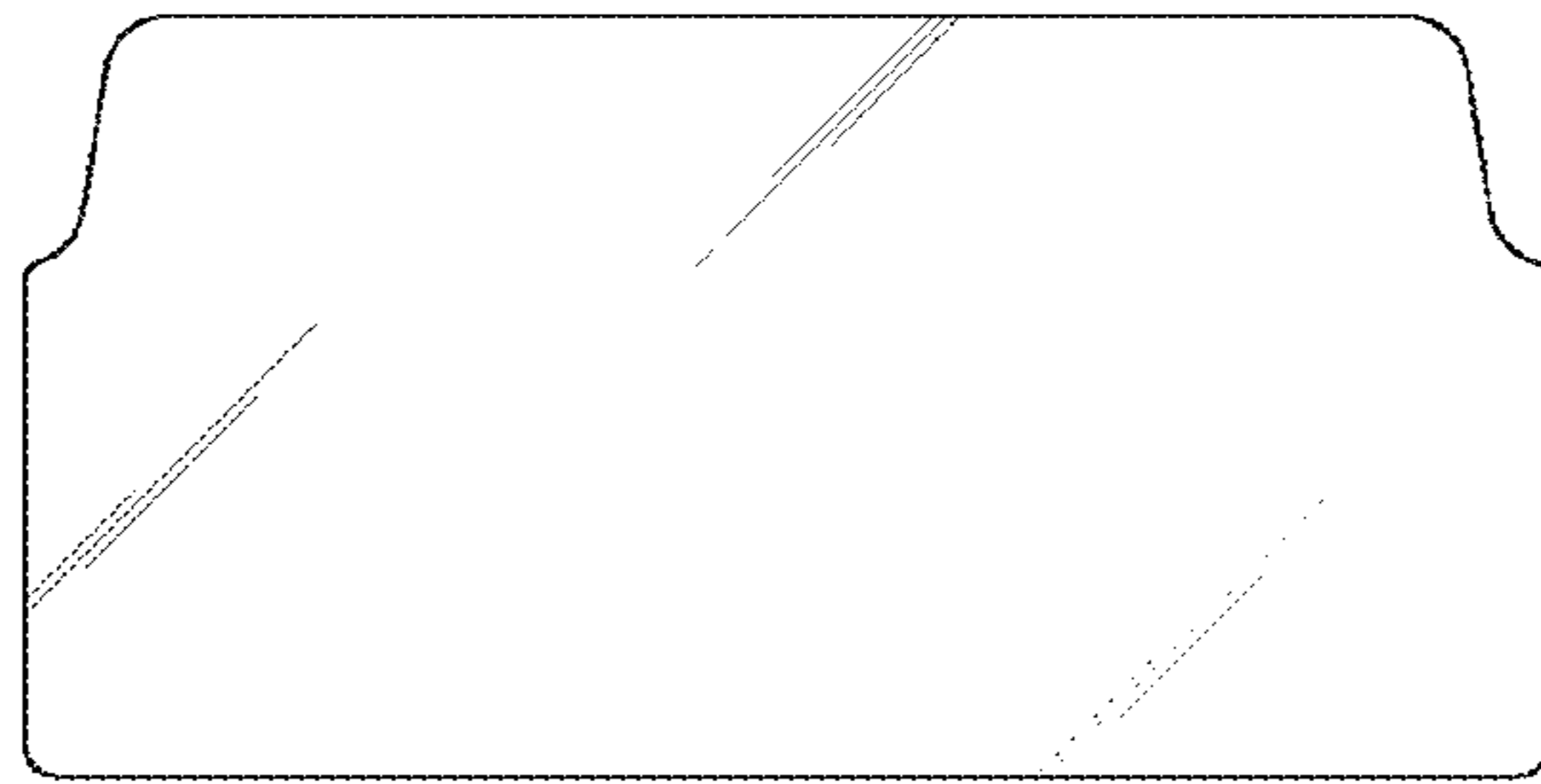


FIG. 52

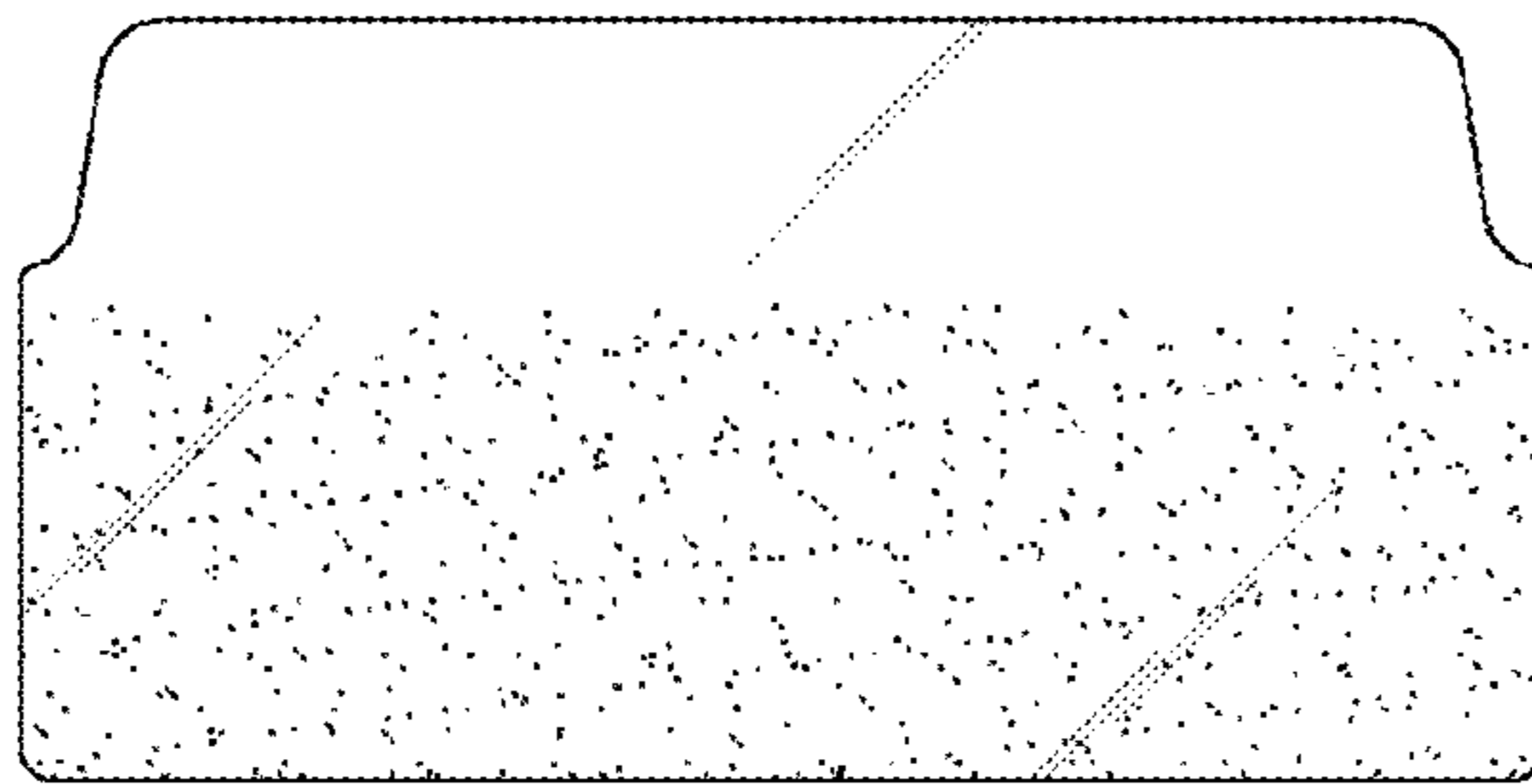


FIG. 53

FIG. 54

FIG. 55

FIG. 56

FIG. 57

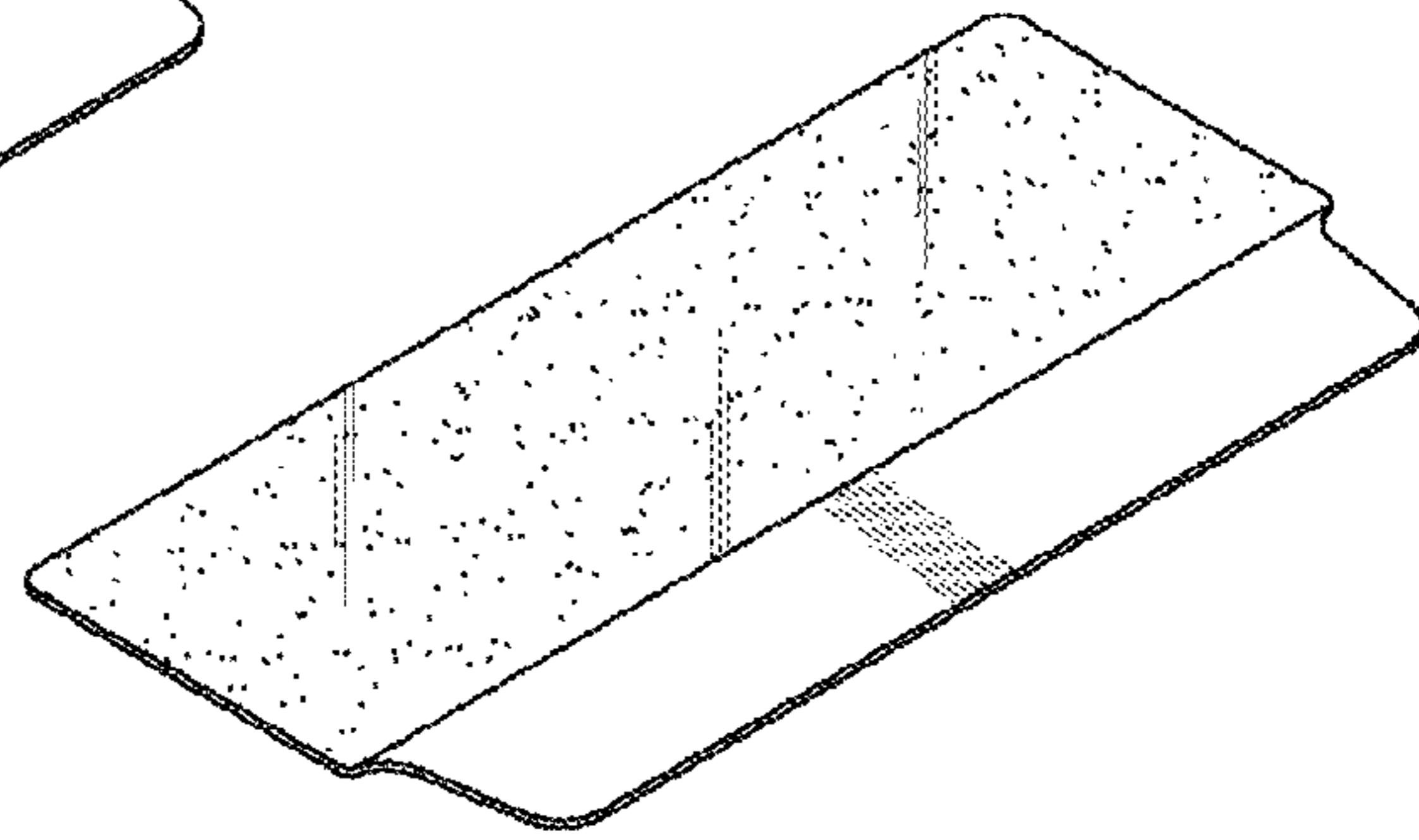
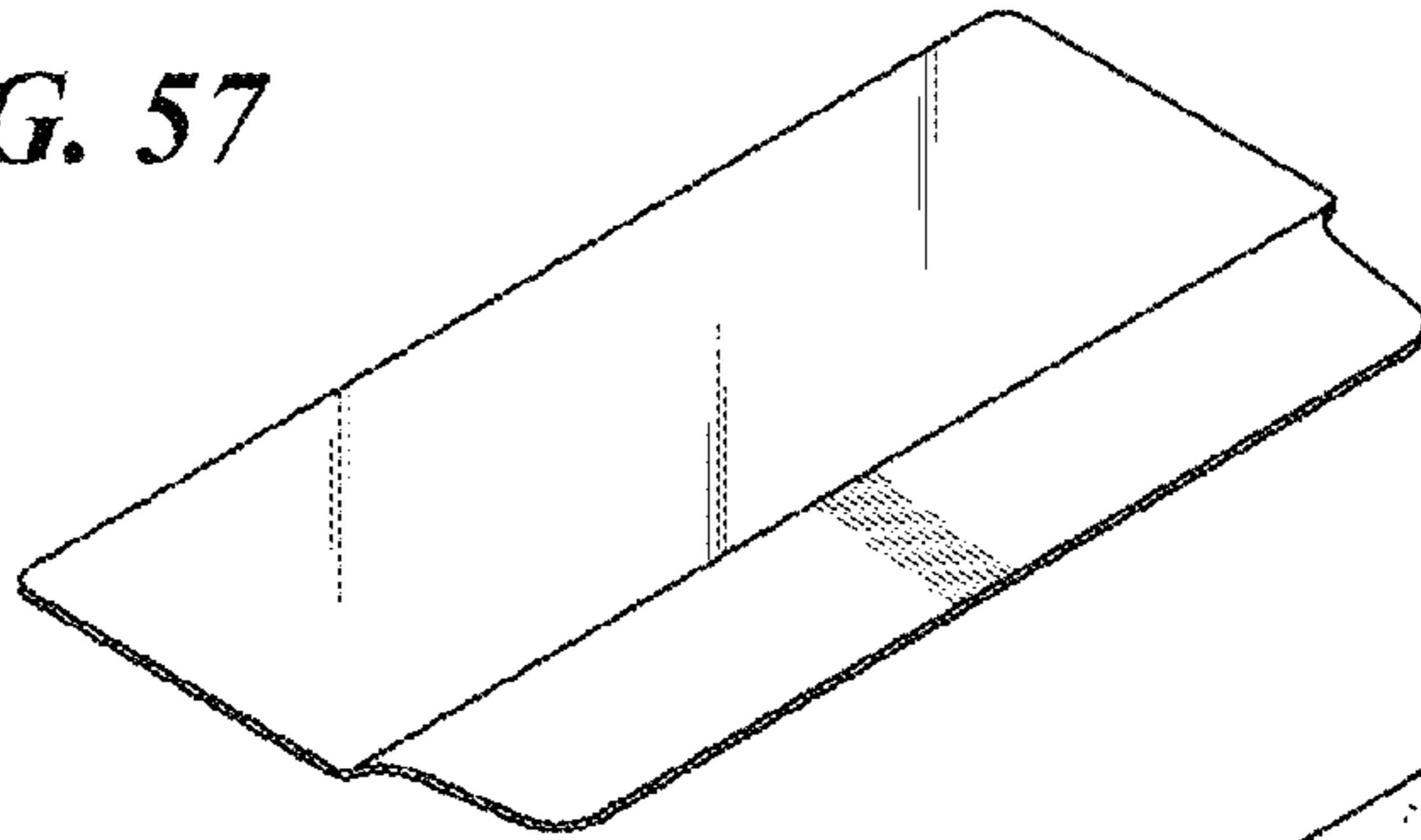


FIG. 58

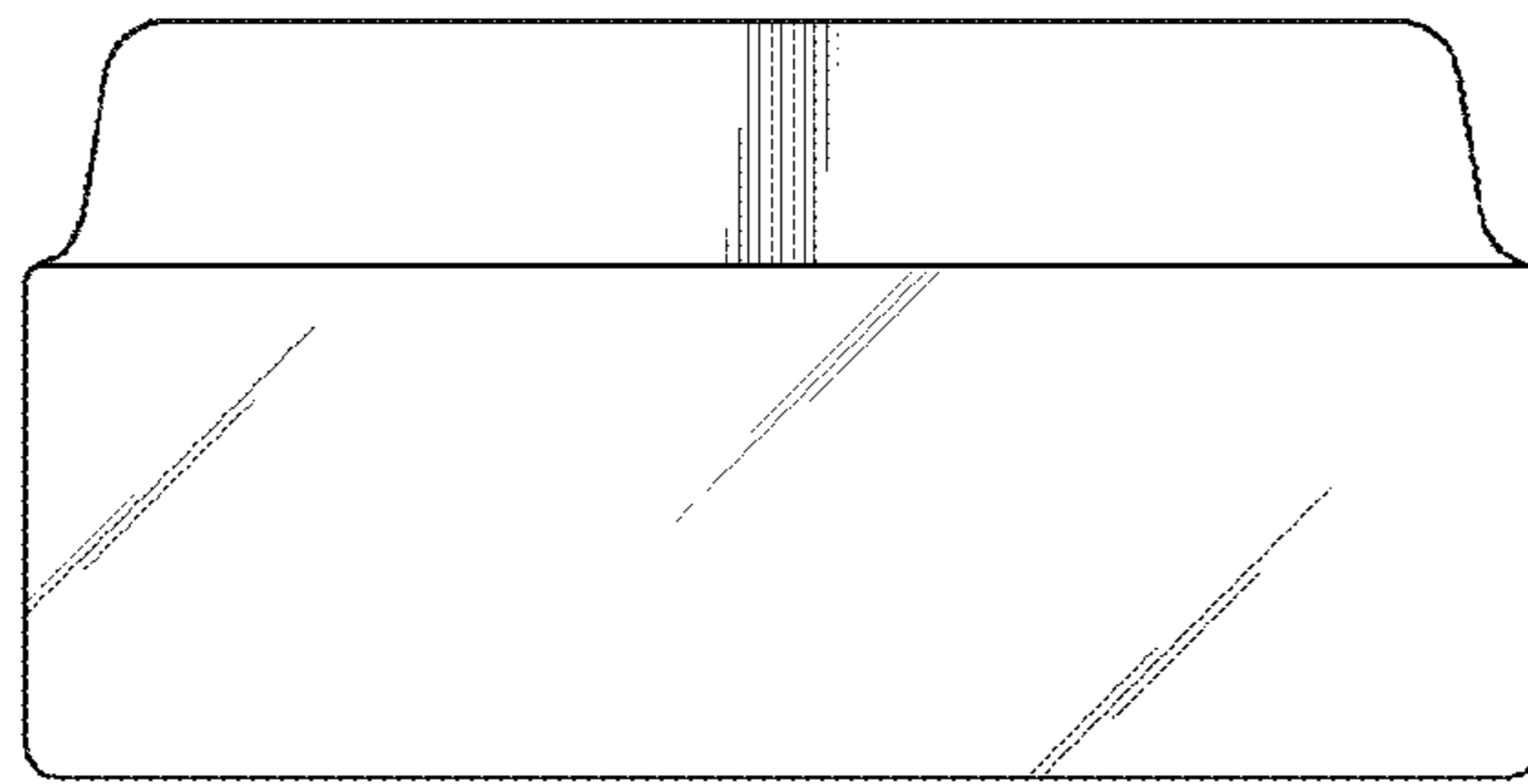


FIG. 59

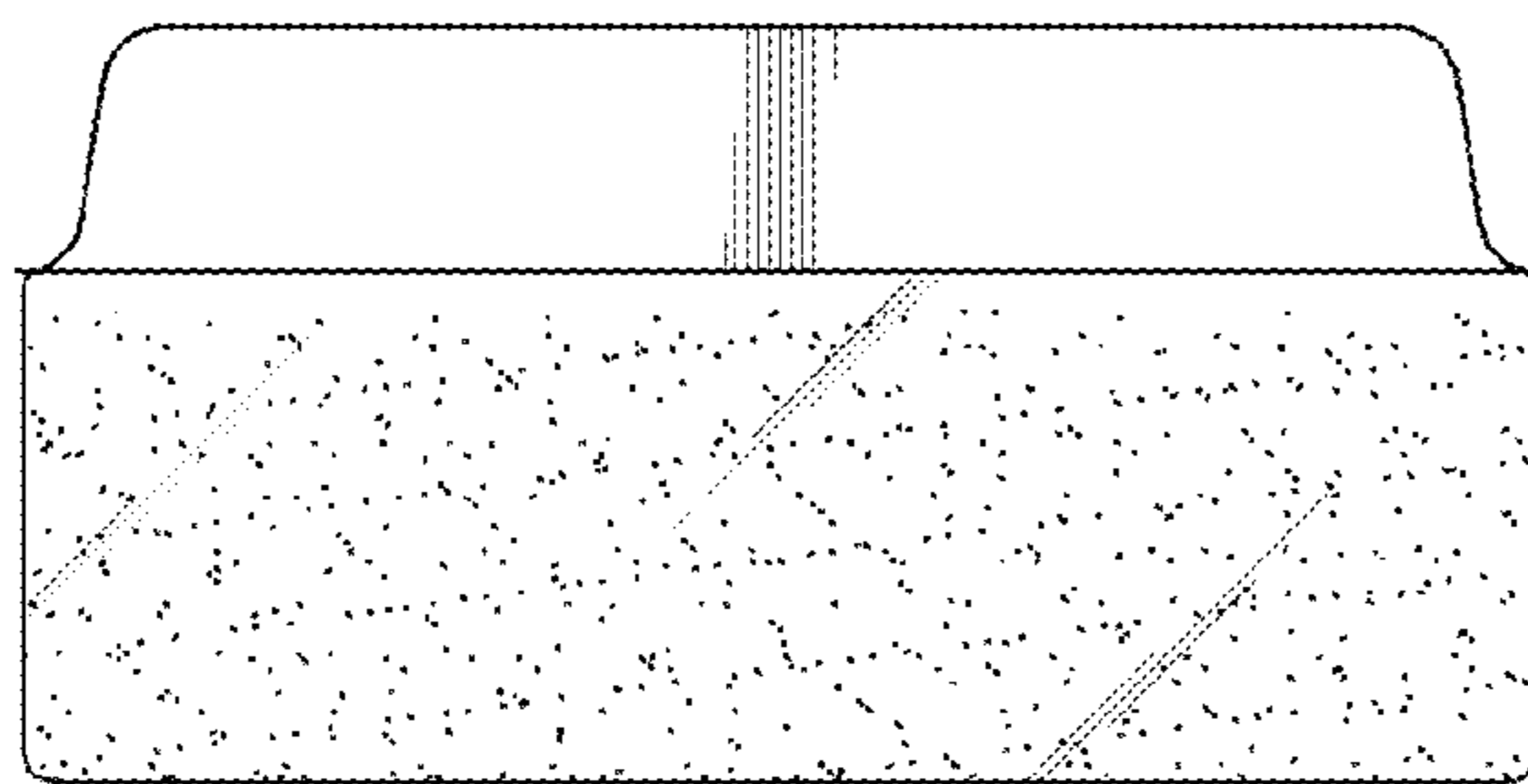


FIG. 60

FIG. 61

FIG. 62

FIG. 63

FIG. 64

FIG. 65

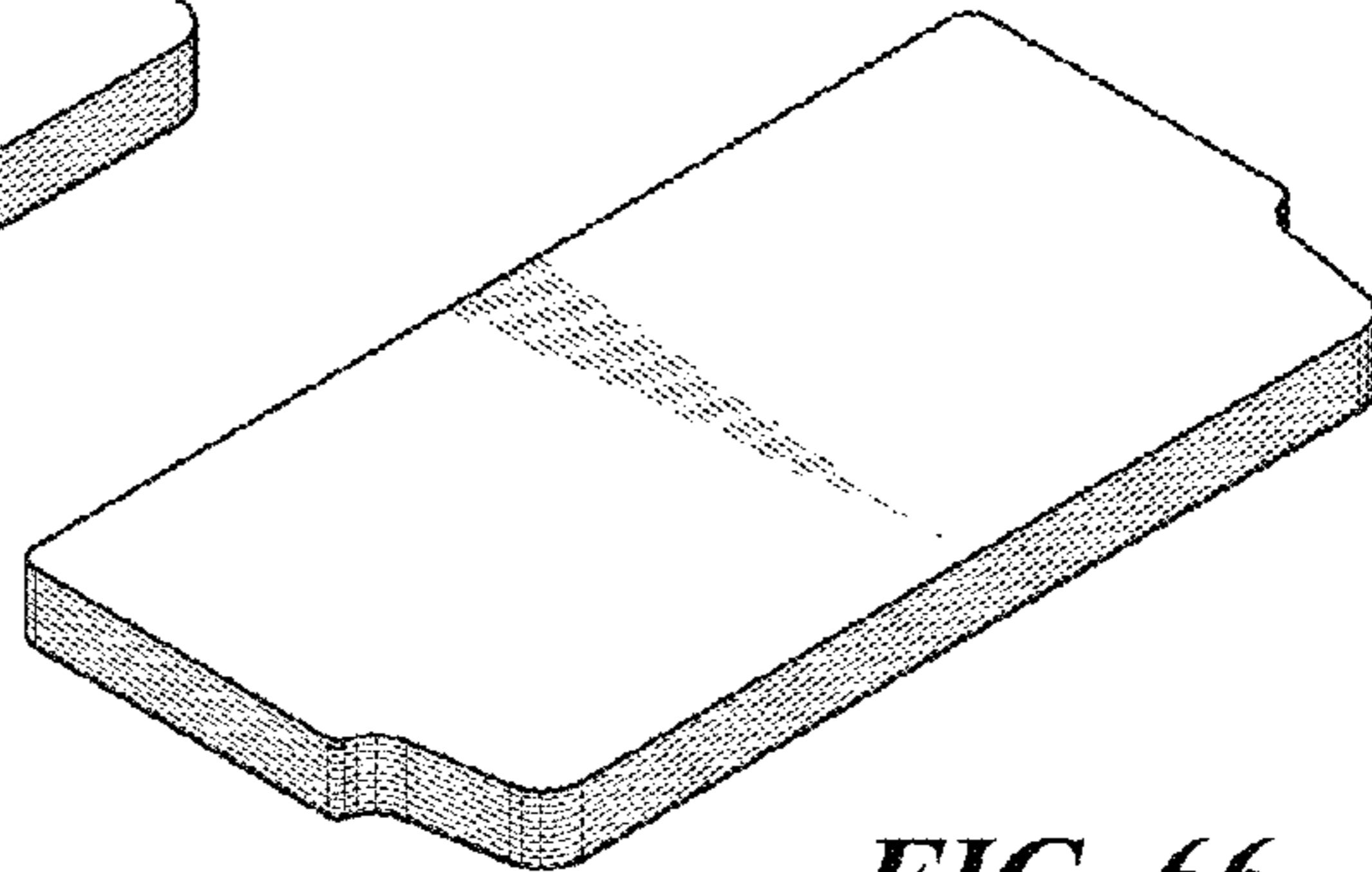
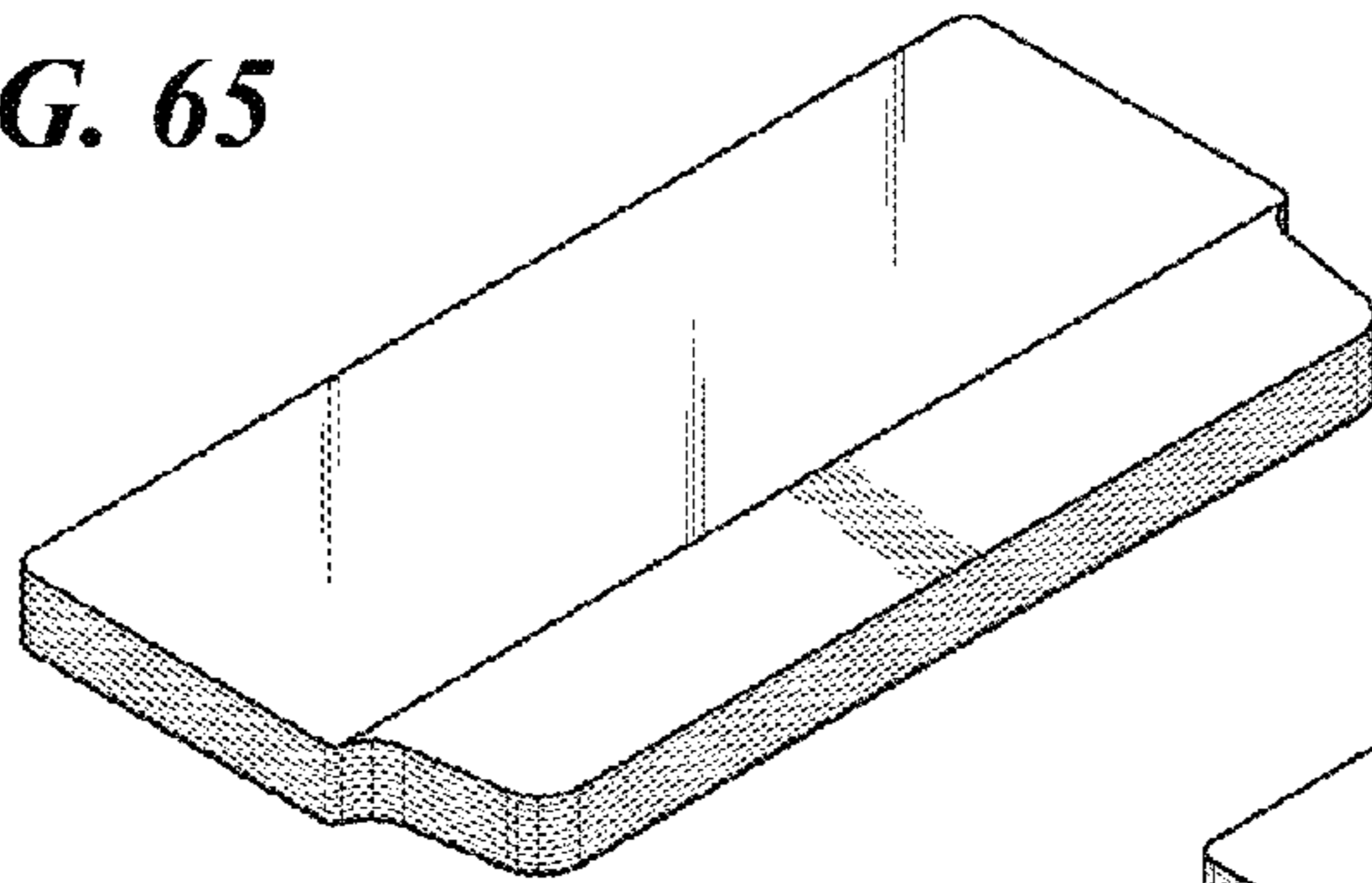


FIG. 66

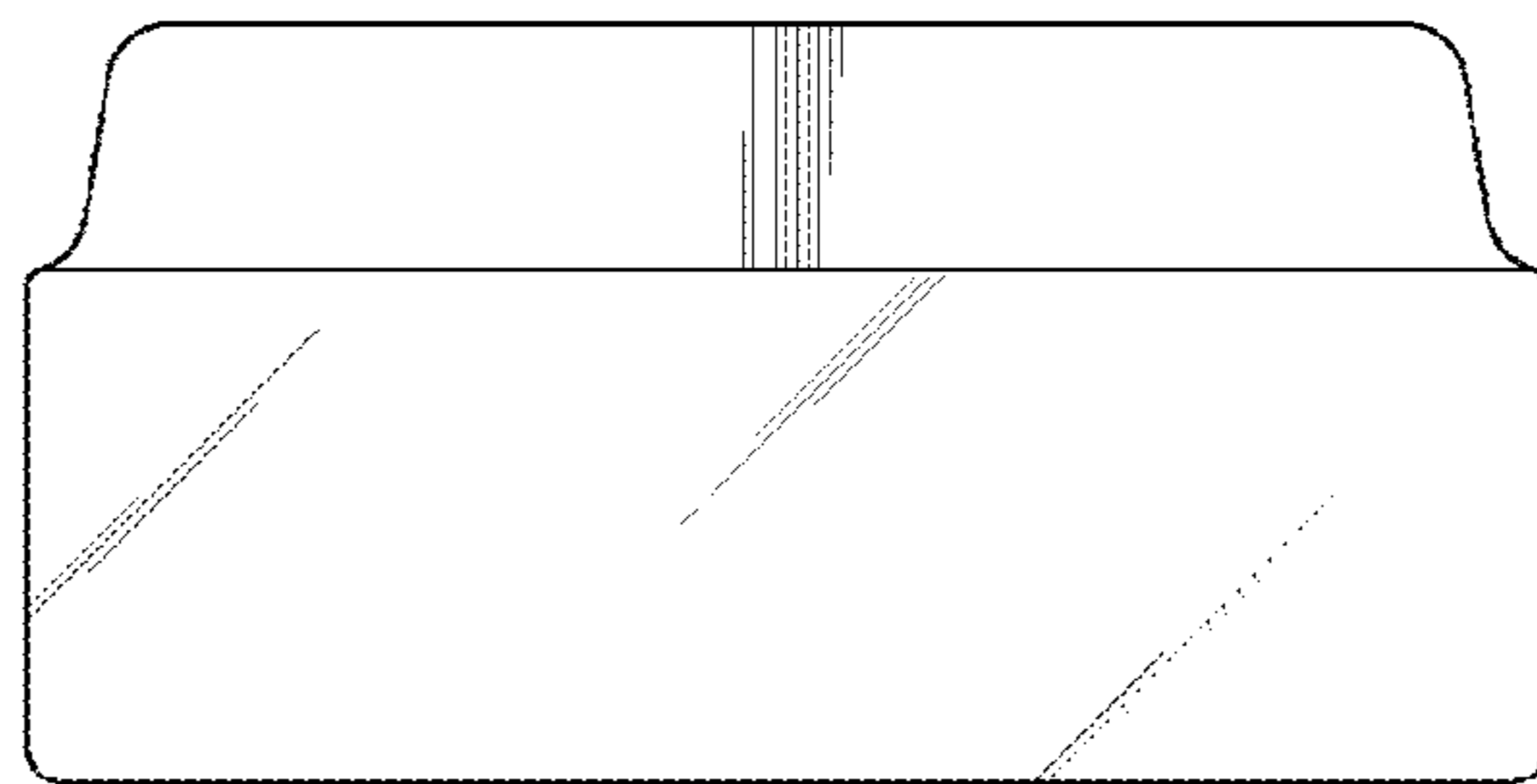


FIG. 67

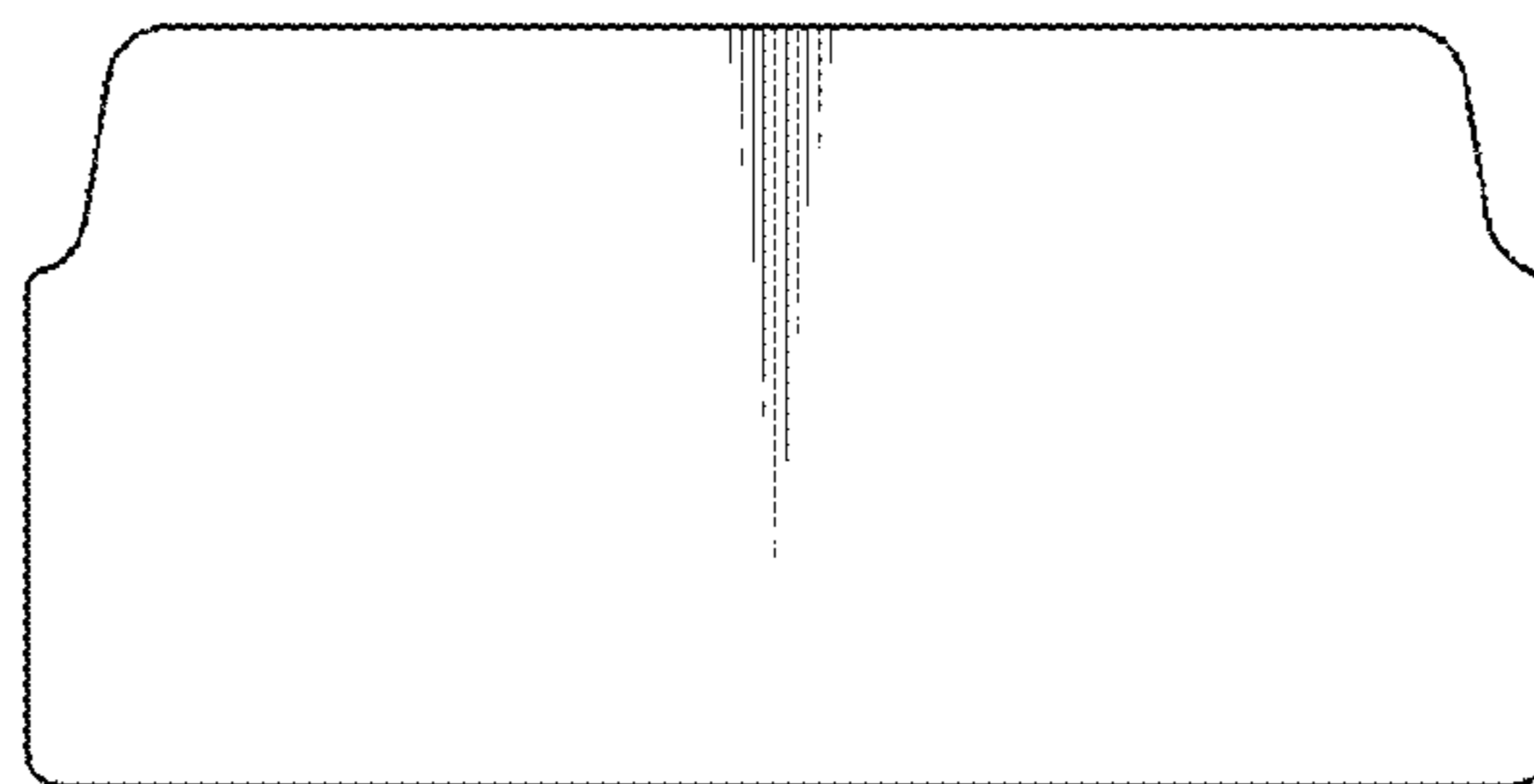


FIG. 68

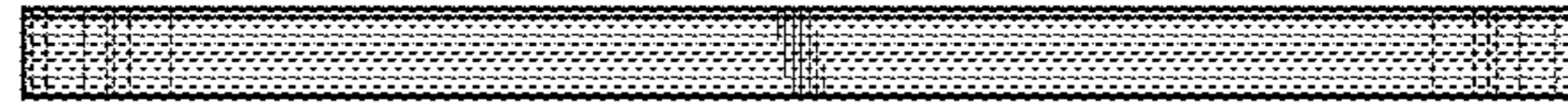


FIG. 69



FIG. 70

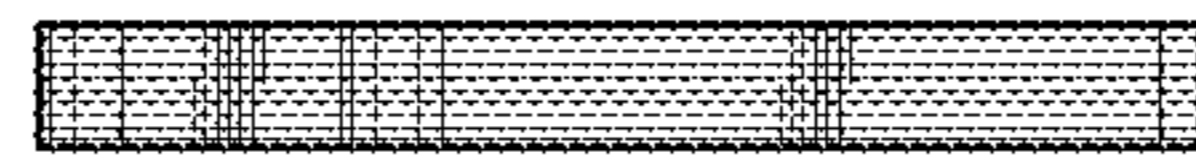


FIG. 71



FIG. 72

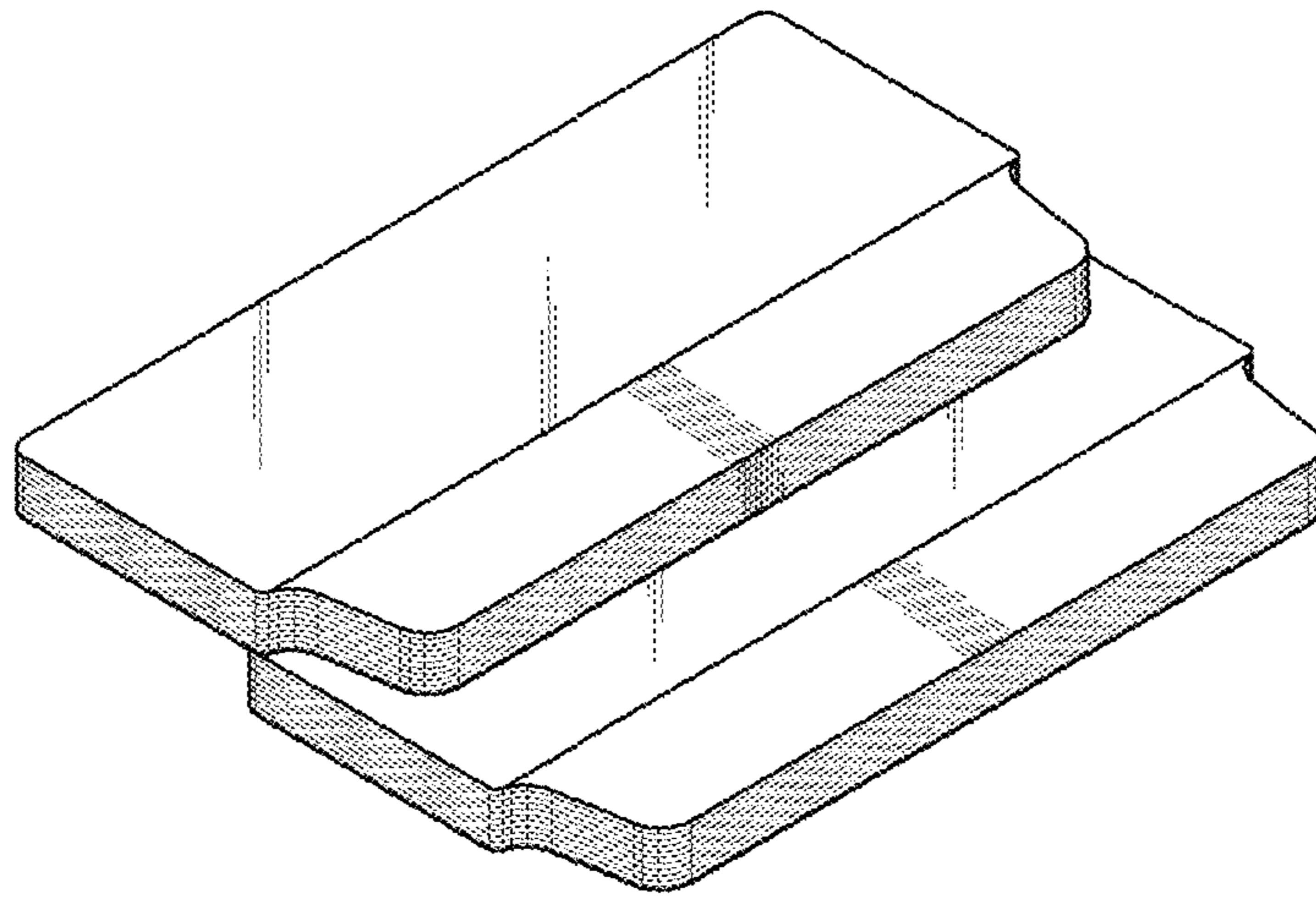


FIG. 73

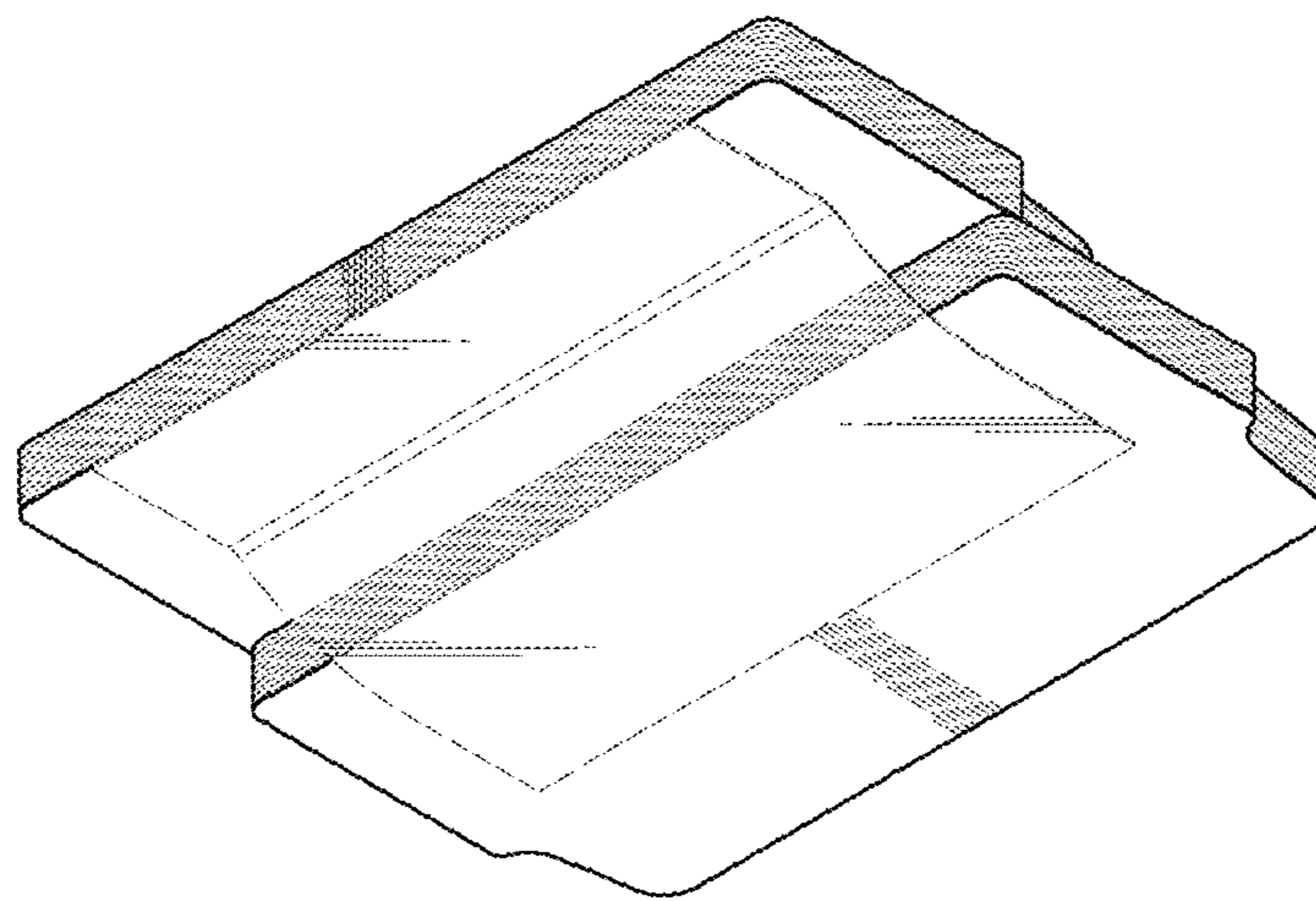


FIG. 74

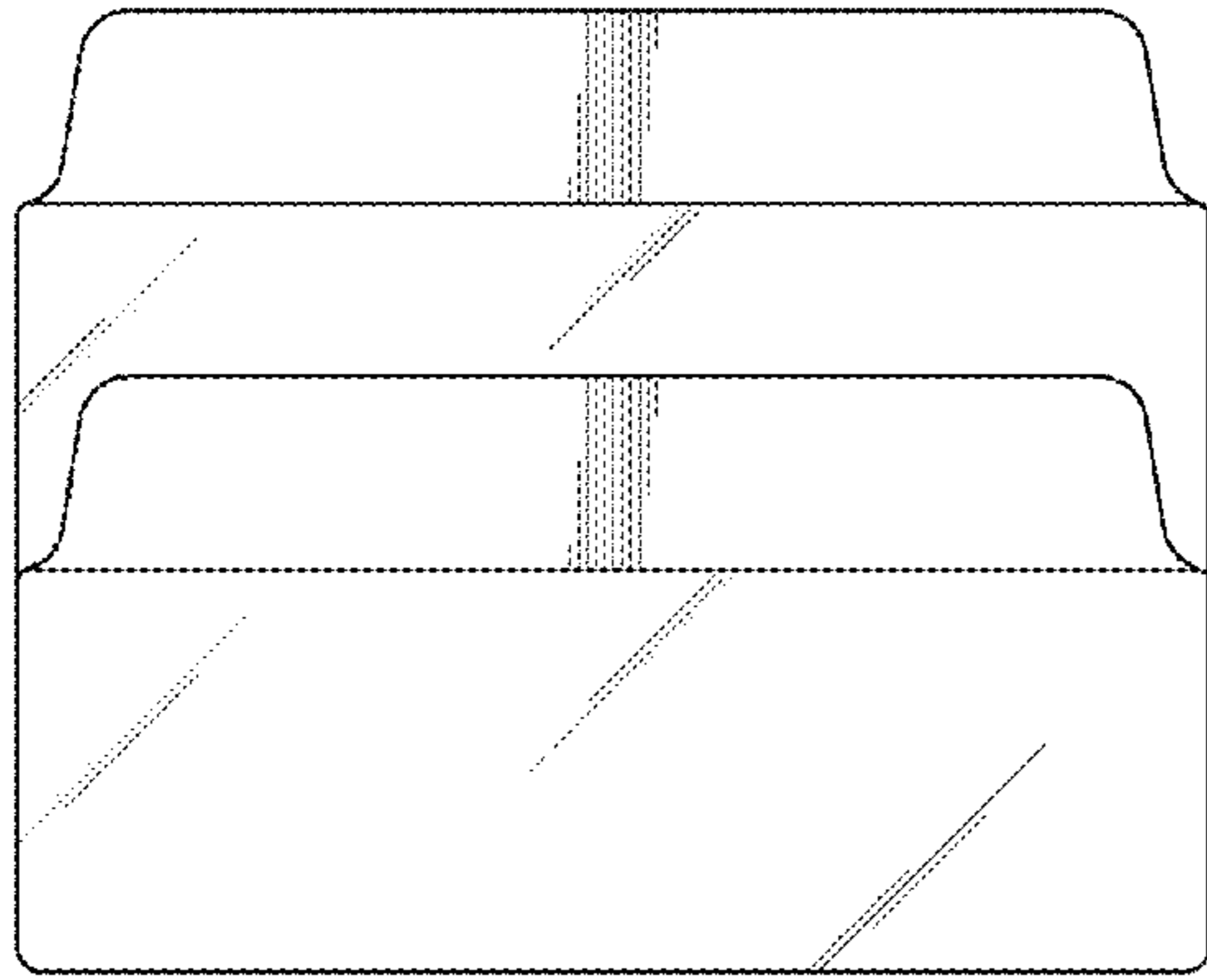


FIG. 75

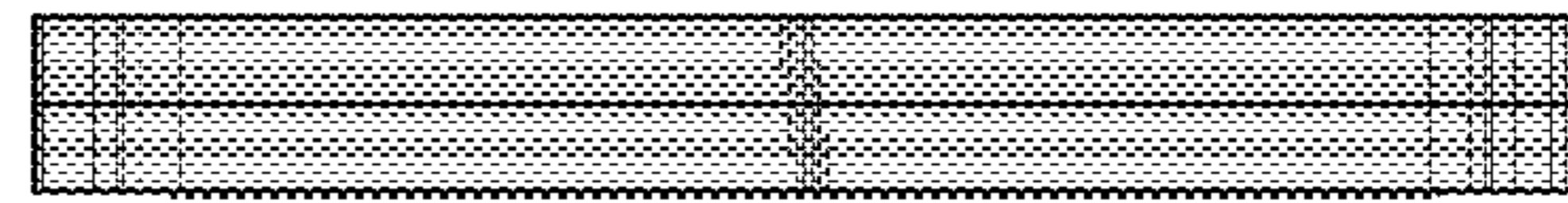


FIG. 77

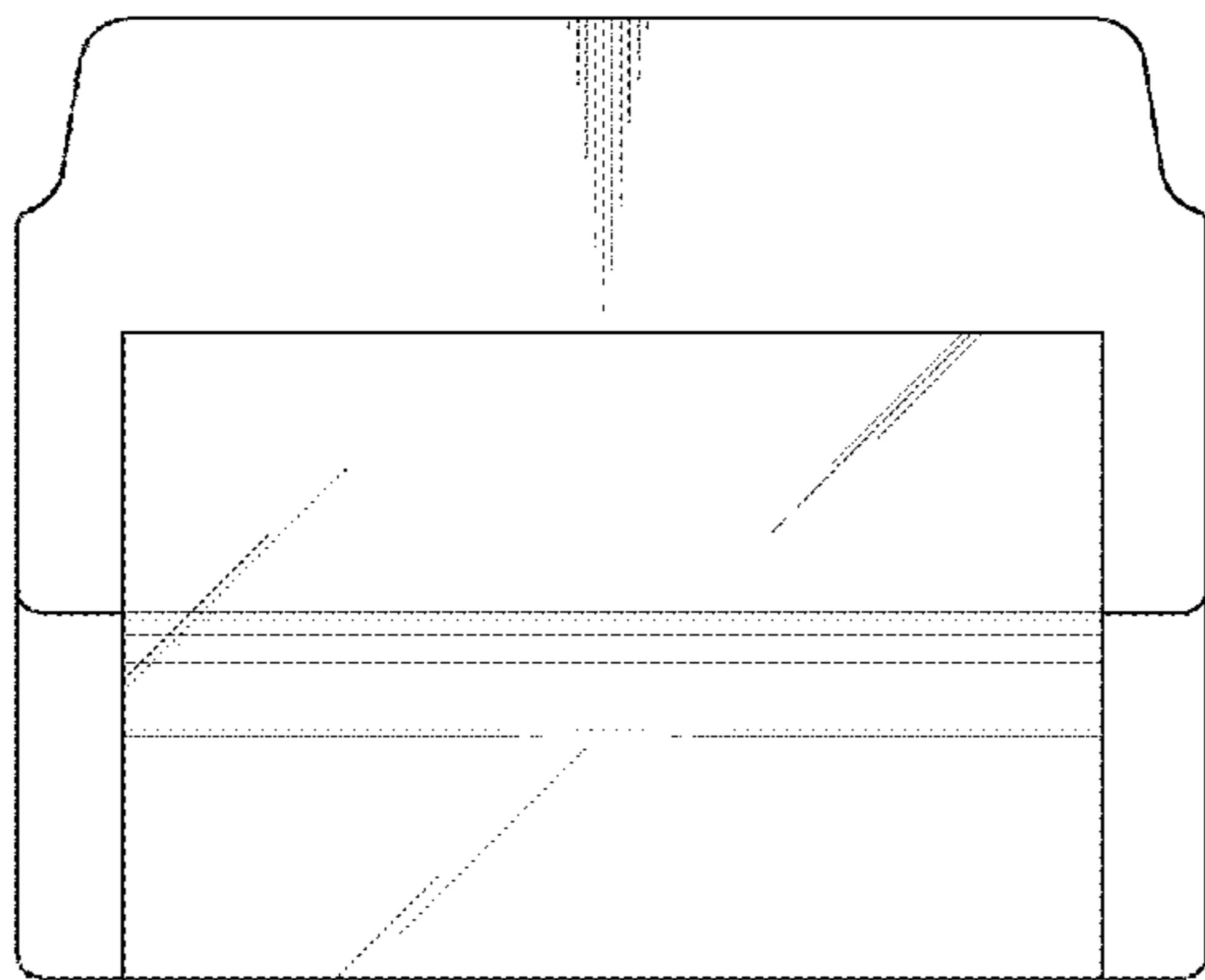


FIG. 76

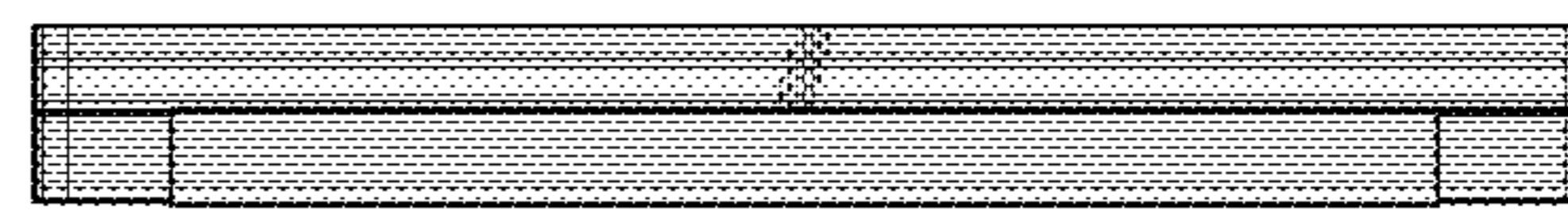


FIG. 78



FIG. 79

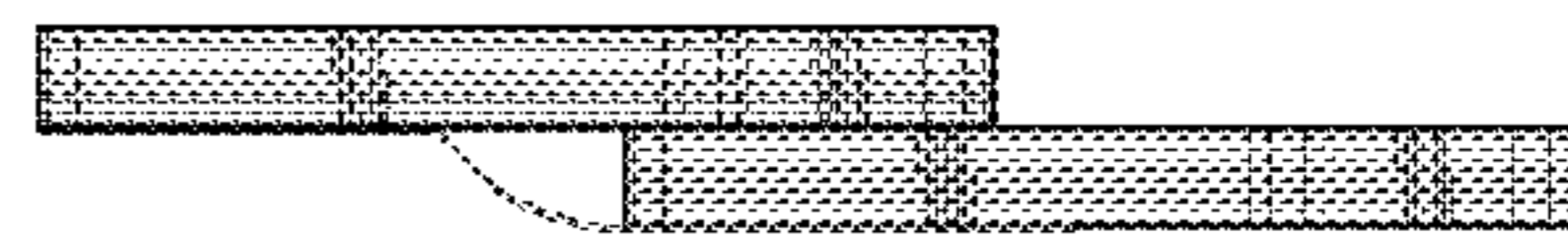


FIG. 80

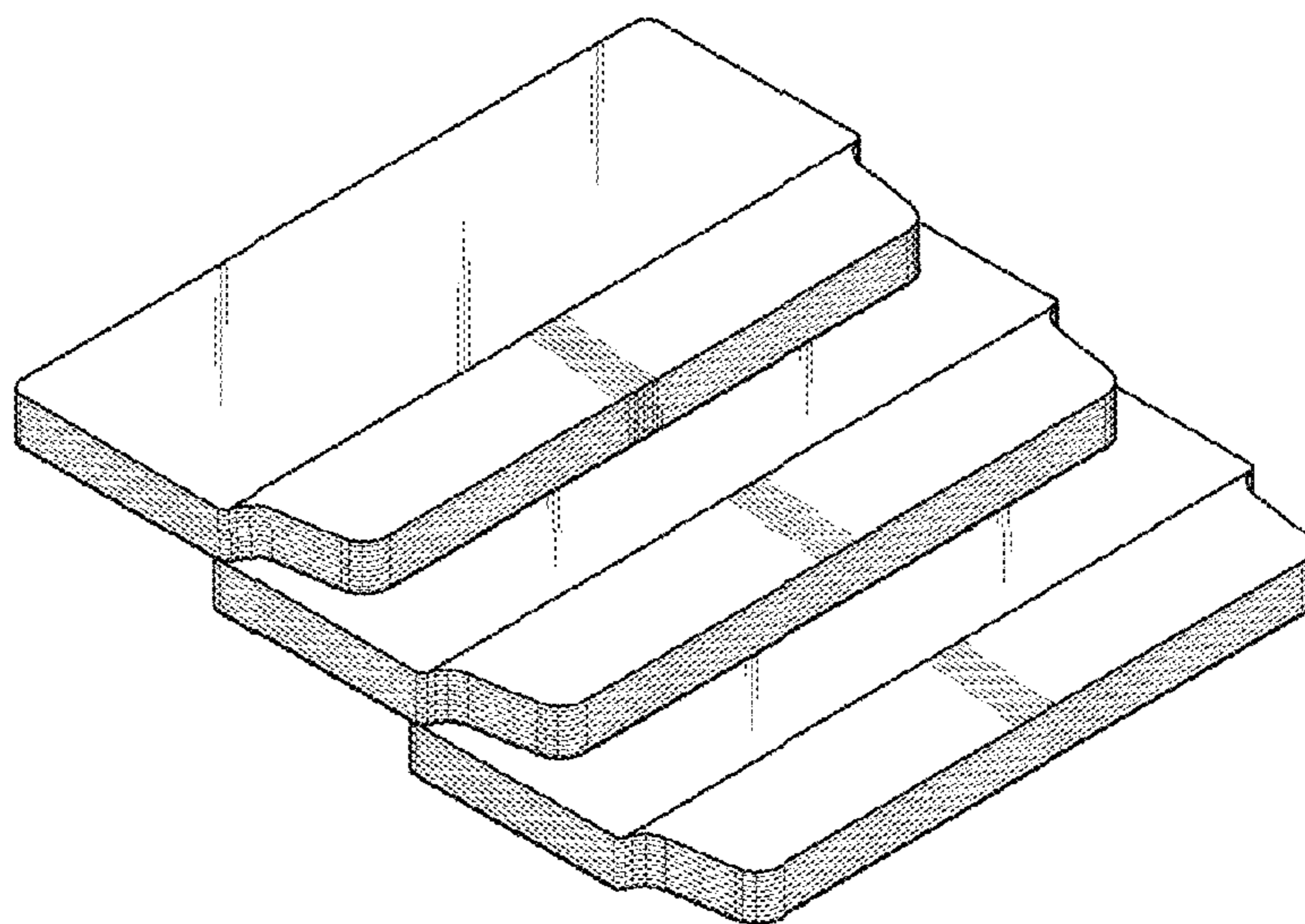


FIG. 81

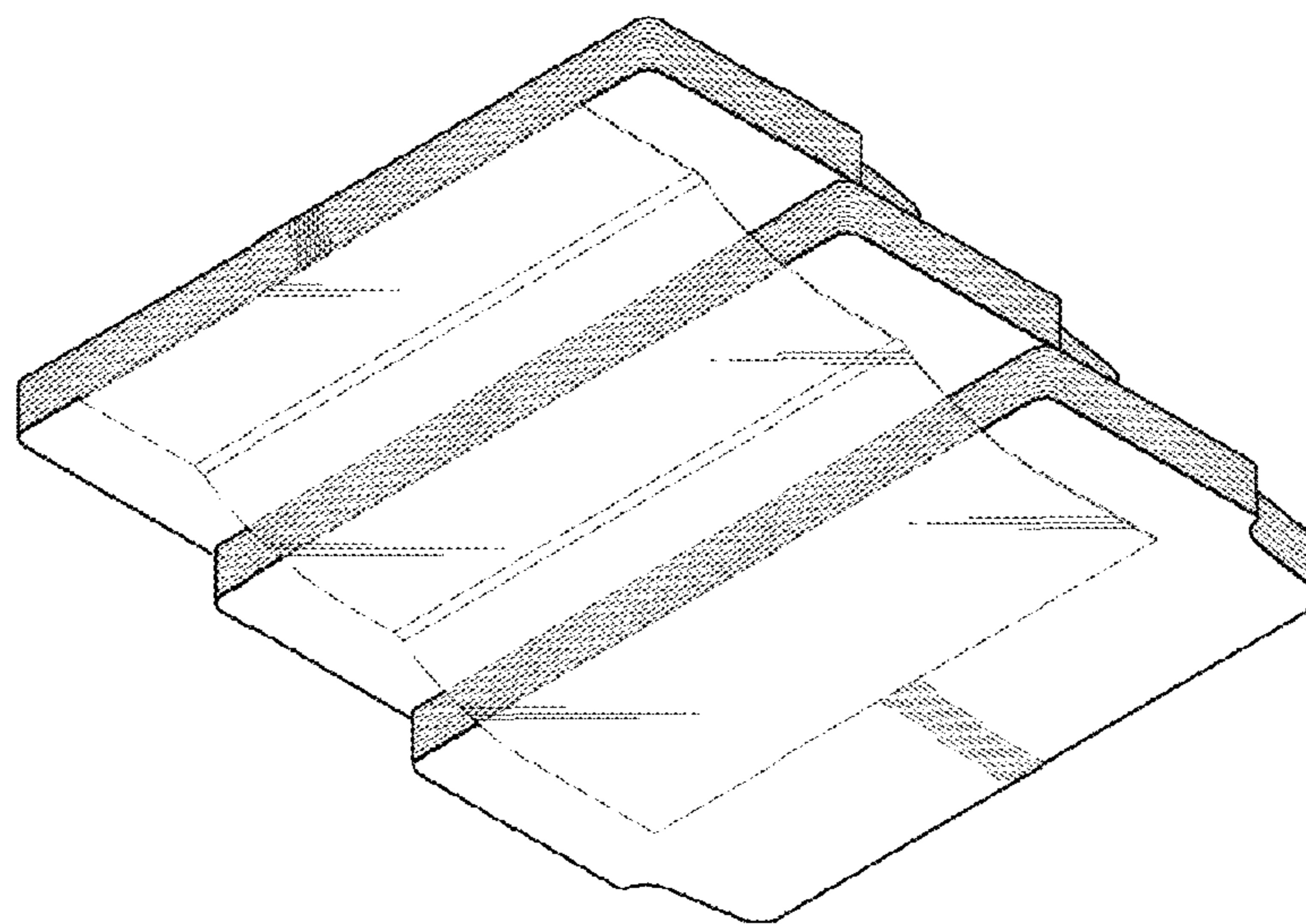


FIG. 82

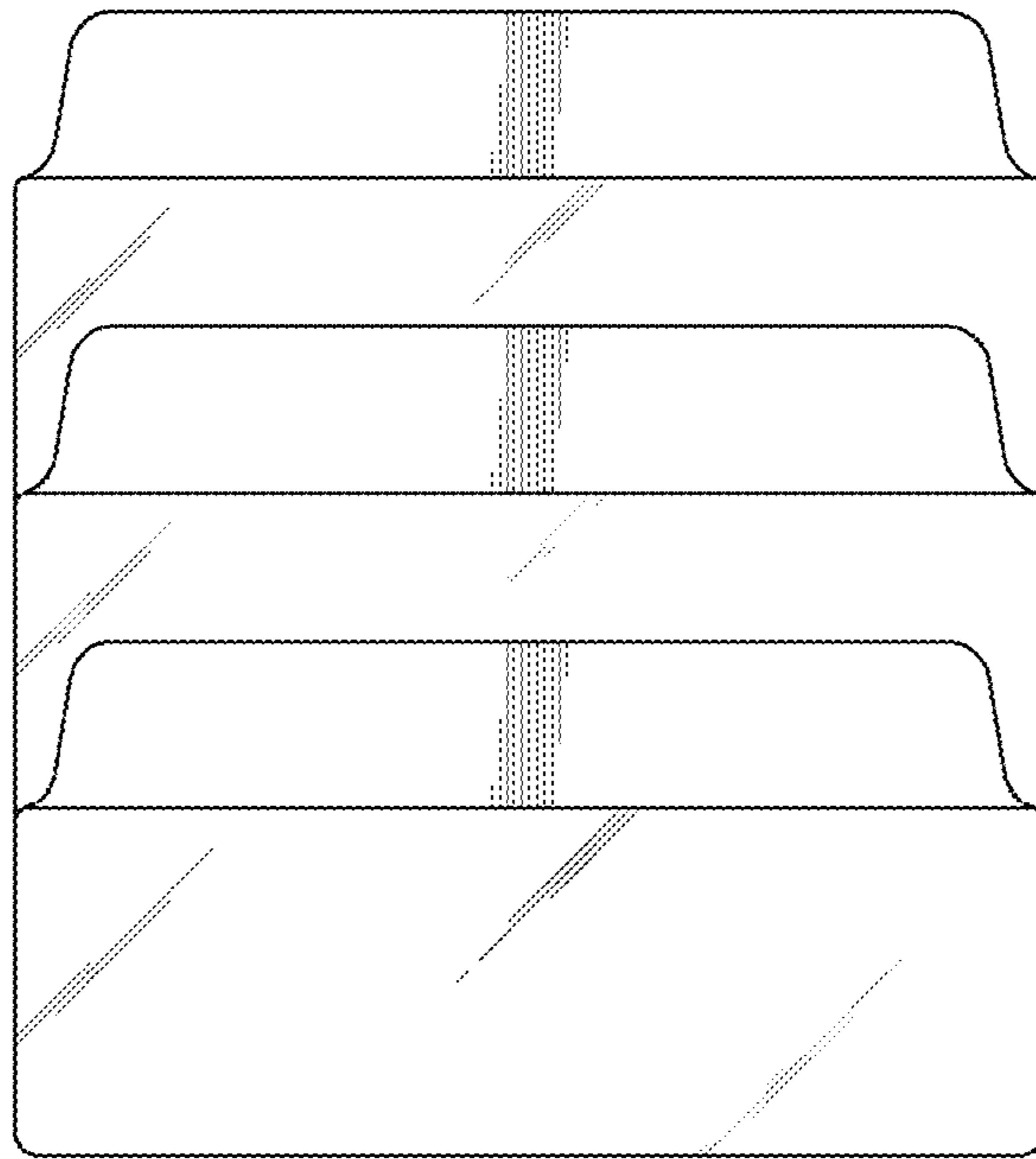


FIG. 83

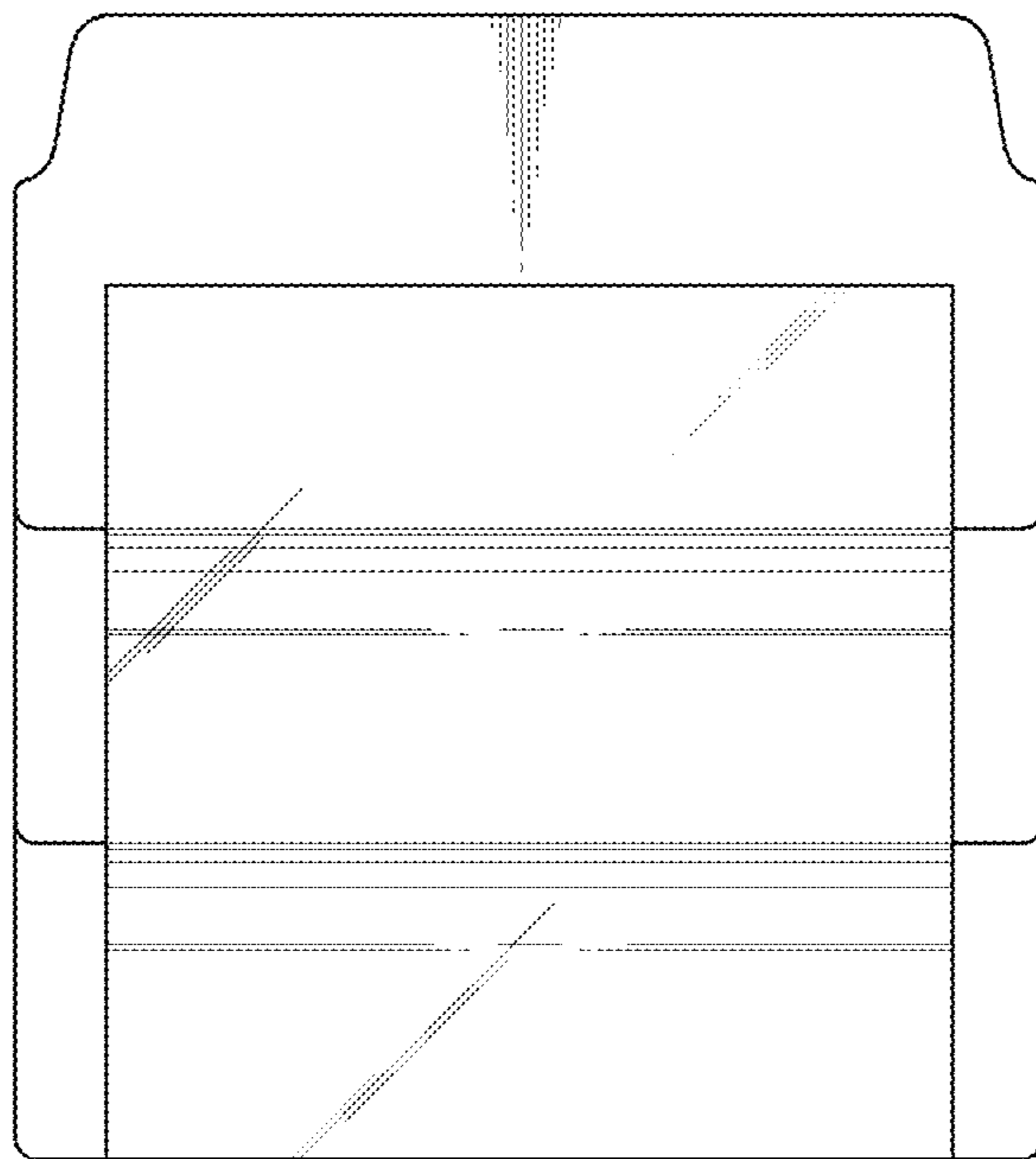


FIG. 84

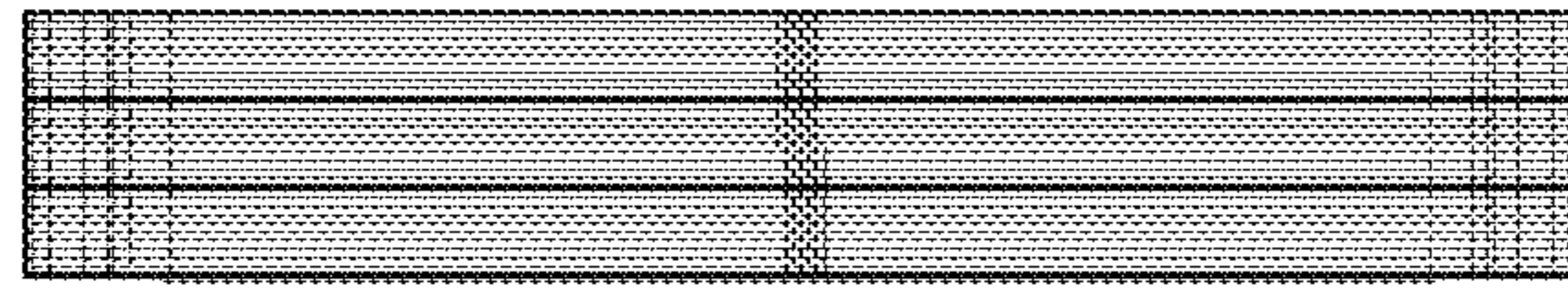


FIG. 85

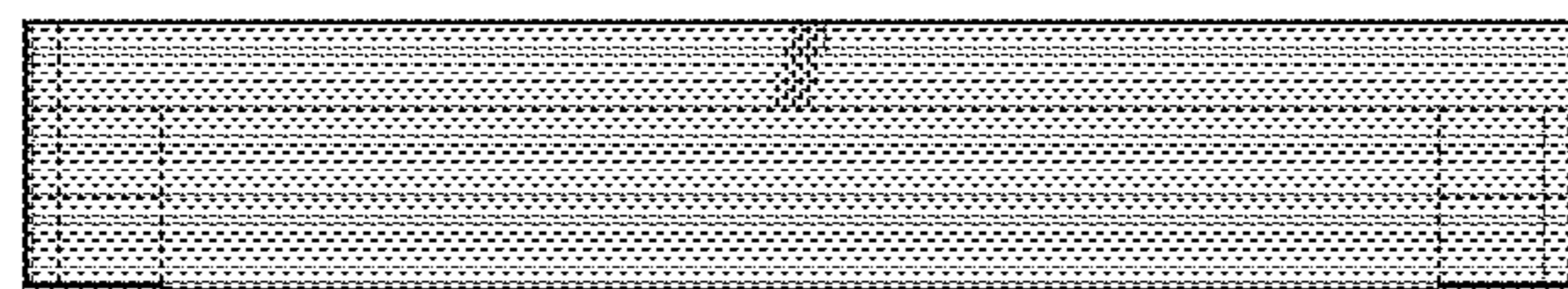


FIG. 86

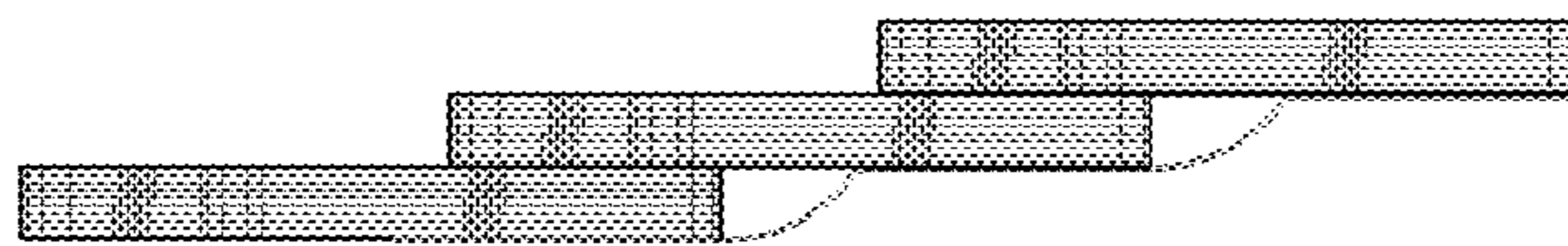


FIG. 87

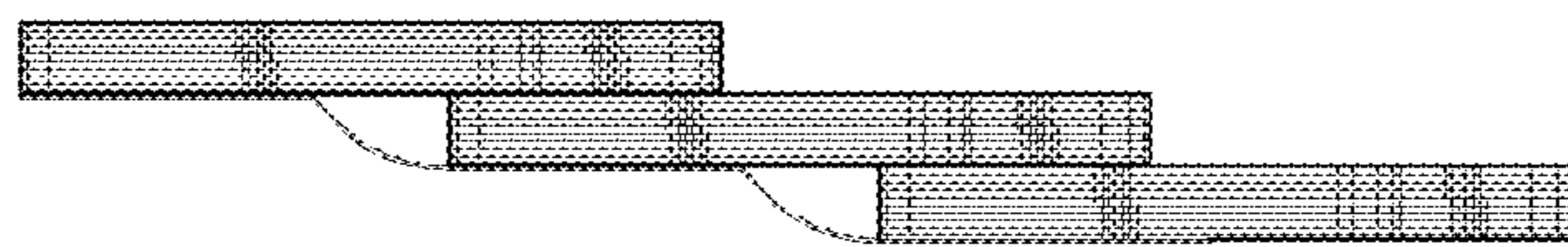


FIG. 88