



US00D752681S

(12) **United States Design Patent**
Chung et al.

(10) **Patent No.:** **US D752,681 S**
(45) **Date of Patent:** **** Mar. 29, 2016**

(54) **PRINTER**

- (71) Applicant: **Samsung Electronics Co., Ltd.**,
Suwon-si (KR)
- (72) Inventors: **Won-Suk Chung**, Seoul (KR);
Jue-Hyun Jung, Seoul (KR); **Yulie Cho**,
Seoul (KR); **Fritz Frenkler**, Munich
(DE); **Noriyuki Fujimura**, Seoul (KR);
Eun-Joo Mo, Seongnam-si (KR);
Eung-Yul Lee, Seoul (KR); **Sean**
Suckling, Munich (DE); **Anette**
Ponholzer, Munich (DE)
- (73) Assignee: **Samsung Electronics Co., Ltd.**,
Suwon-si (KR)
- (**) Term: **14 Years**
- (21) Appl. No.: **29/511,376**
- (22) Filed: **Dec. 10, 2014**
- (30) **Foreign Application Priority Data**

Jun. 13, 2014 (KR) 30-2014-0029019

(51) **LOC (10) Cl.** **18-02**

(52) **U.S. Cl.**
USPC **D18/53**

(58) **Field of Classification Search**
USPC D18/50, 53, 56, 59, 36, 38, 39, 40, 41,
D18/45, 54, 34.4, 34.5, 34.6; D14/301, 307,
D14/129, 130; 399/16, 75, 81, 131, 151,
399/361, 365, 367, 381-385, 388; D99/28;
D20/1, 10; D34/5-9
CPC ... G06K 15/12; G06K 15/14; H04N 1/00204;
H04N 1/00249; H04N 1/00278; B41J 3/00;
B41J 3/28; B41J 3/445; B41J 3/46
See application file for complete search history.

(56) **References Cited**

U.S. PATENT DOCUMENTS

- D174,904 S * 6/1955 Haseloff D18/53
- D179,434 S * 12/1956 Wycoski D6/661.2

(Continued)

FOREIGN PATENT DOCUMENTS

- CN 3334255 * 11/2003
- CN 3480788 * 10/2005

(Continued)

OTHER PUBLICATIONS

Yanko Design. <URL:http://www.yankodesign.com/2010/11/15/
bus-station-navigation-system/>. Nov. 15, 2010. Kiosk with upper
screen and curved transition.*

(Continued)

Primary Examiner — Bridget L Eland
Assistant Examiner — Lauren McVey
(74) *Attorney, Agent, or Firm* — NSIP Law

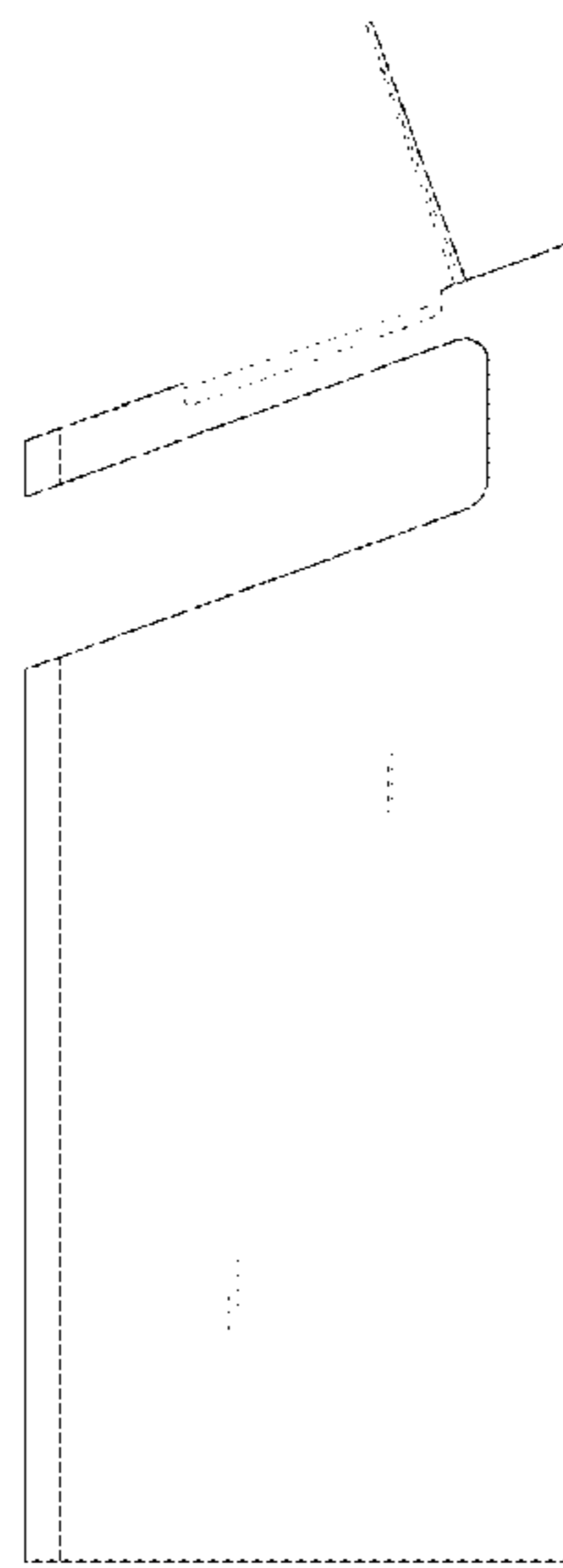
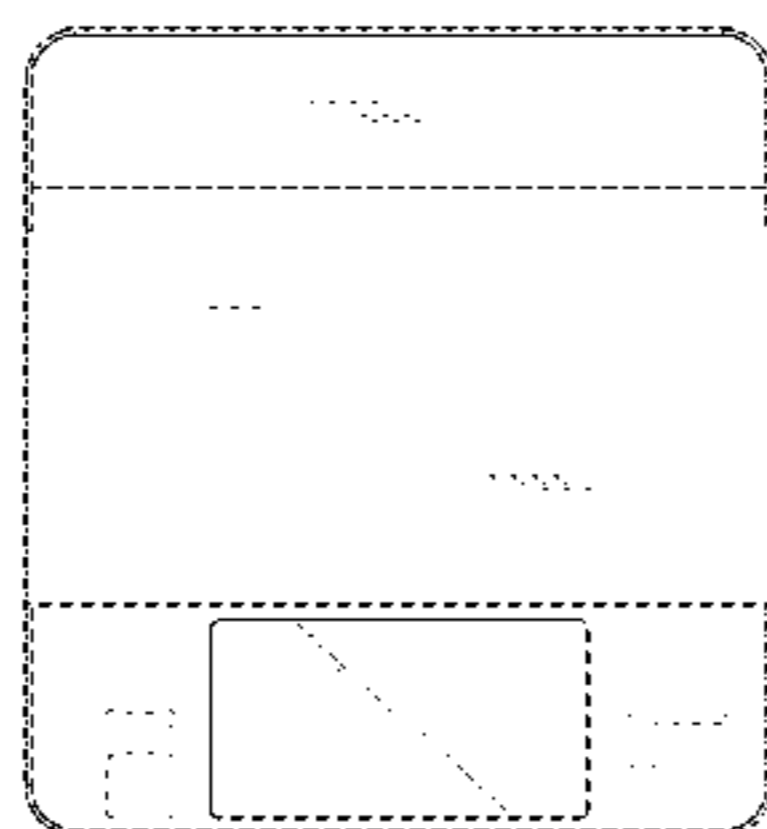
(57) **CLAIM**

We claim the ornamental design for a printer, as shown and described.

DESCRIPTION

FIG. 1 is a front perspective view of a printer showing our new design;
FIG. 2 is a front view thereof;
FIG. 3 is a rear view thereof;
FIG. 4 is a left-side view thereof;
FIG. 5 is a right-side view thereof;
FIG. 6 is a top view thereof;
FIG. 7 is a bottom view thereof; and,
FIG. 8 is another right-side view of the printer in which the door feature is shown in the open position.
The broken lines in the figures show portions of the printer which form no part of the claimed design.
The front side of the printer coincides with the bottom side of the drawing and the rear side of the printer coincides with the top side of the drawing in FIG. 7.

1 Claim, 5 Drawing Sheets



(56)

References Cited

U.S. PATENT DOCUMENTS

D201,361 S * 6/1965 Weiner D14/303
 D232,866 S * 9/1974 Mann D18/53
 D283,323 S * 4/1986 Cervero D14/451
 D286,051 S * 10/1986 Nakano D18/53
 4,752,803 A * 6/1988 Sakurai G03G 15/221
 399/1
 D304,207 S * 10/1989 Wistrand D20/2
 D313,051 S * 12/1990 Haker D14/302
 D377,170 S * 1/1997 Wilson D14/130
 6,163,668 A * 12/2000 Takahashi G03G 15/221
 345/156
 D447,768 S * 9/2001 Shiozaki D18/53
 D478,117 S * 8/2003 Funato D18/39
 D578,154 S * 10/2008 Isogai D18/40
 D605,221 S * 12/2009 Stenzel D18/53
 D639,800 S * 6/2011 Magruder D14/307
 D646,269 S * 10/2011 Crick, Jr. D14/307
 D684,793 S * 6/2013 Kikkert D6/674
 D693,407 S * 11/2013 d'Amore D20/8
 D702,237 S * 4/2014 Oberpriller D14/420

D707,674 S * 6/2014 Daniel D14/307
 D724,658 S * 3/2015 Sakai D18/53
 D732,109 S * 6/2015 Chung D18/50
 D732,521 S * 6/2015 Chadbourne D14/307
 D732,606 S * 6/2015 Chung D18/50
 2008/0003010 A1 * 1/2008 Isogai H04N 1/00477
 399/81

FOREIGN PATENT DOCUMENTS

CN 300908818 * 4/2009
 CN 301199983 * 5/2010
 CN 302010956 * 7/2012
 EM 000329982-0012 * 6/2005
 EM 001378517-0001 * 8/2013

OTHER PUBLICATIONS

Coroflot of Stanislav Tsybulsky. <URL: <http://www.coroflot.com/stanislavtsybulsky/POSM-Sketches>>. Oct. 3, 2012. Interactive Display CAD.*

* cited by examiner

FIG. 1

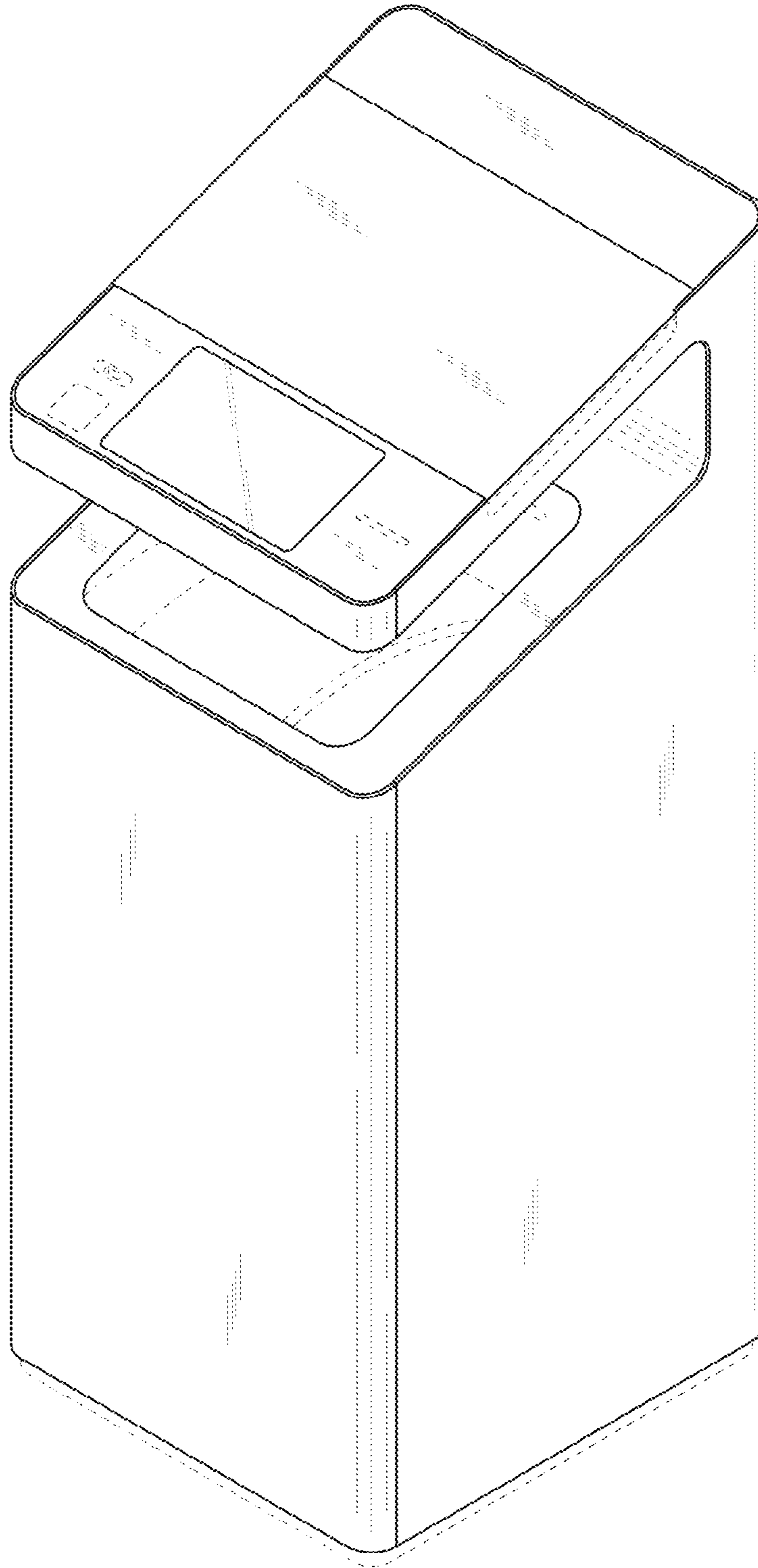


FIG.2

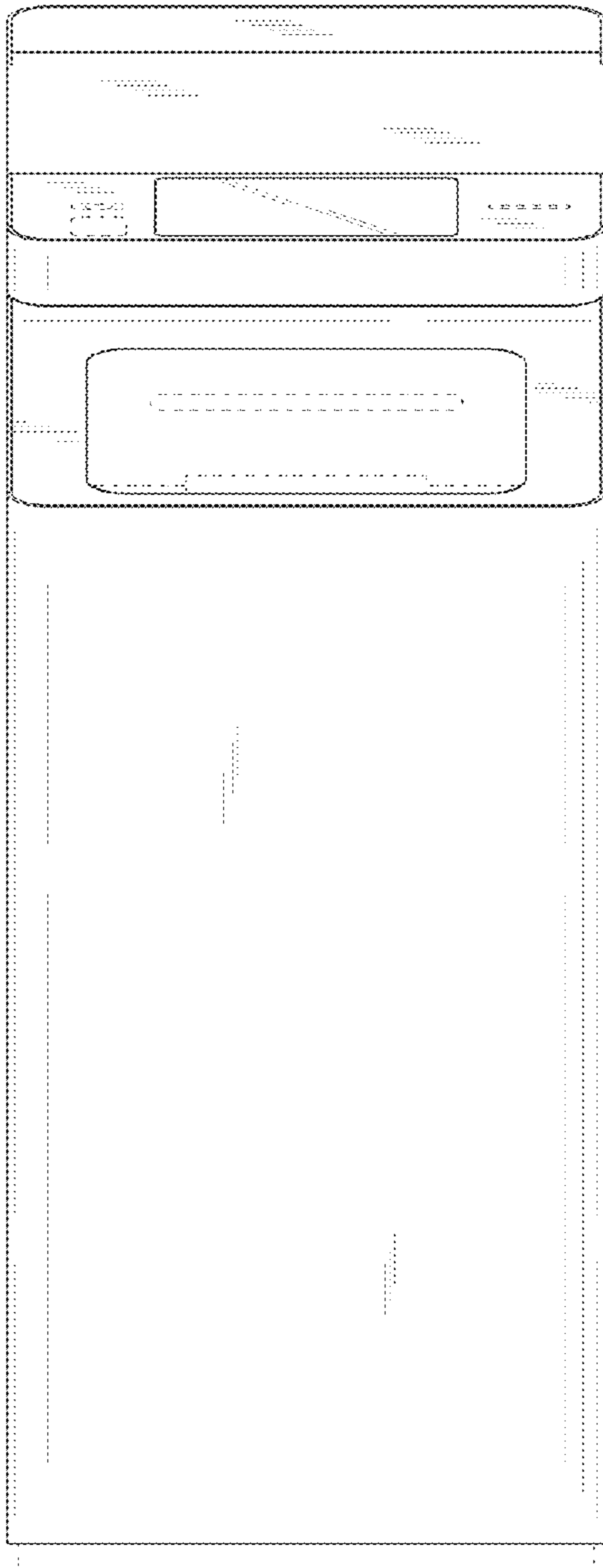


FIG.3

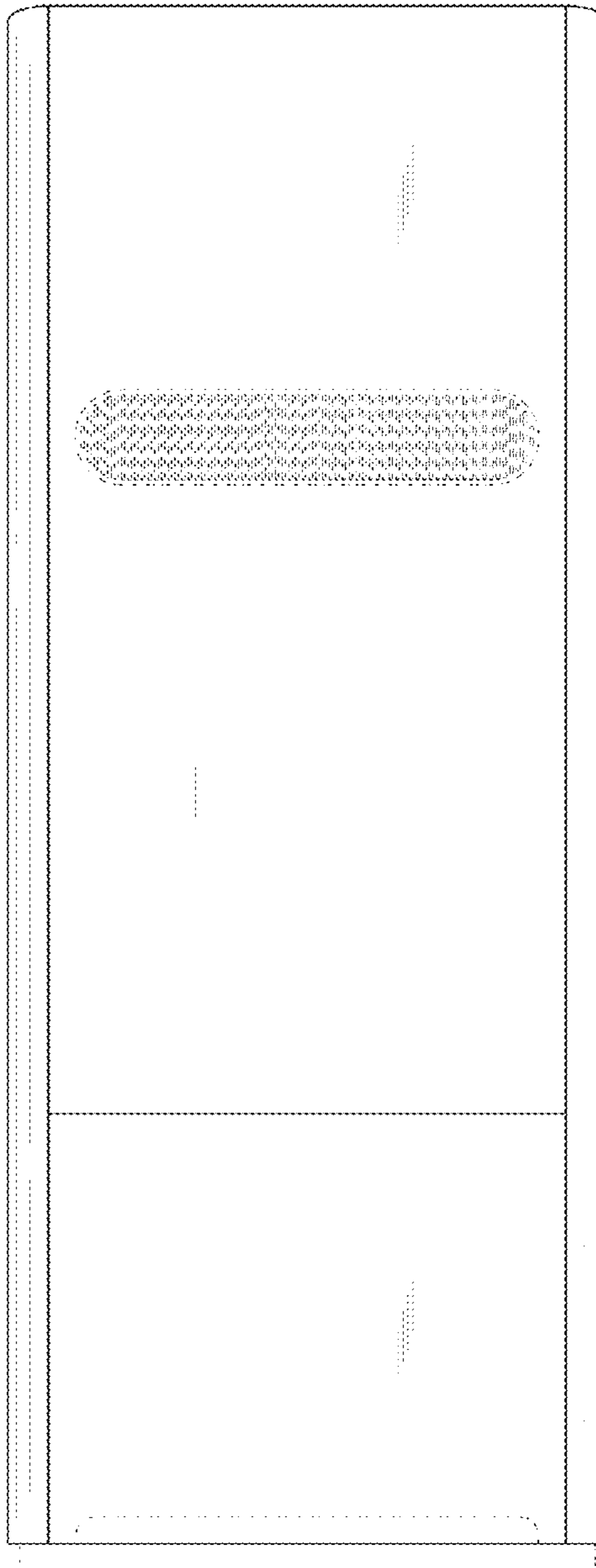


FIG.4

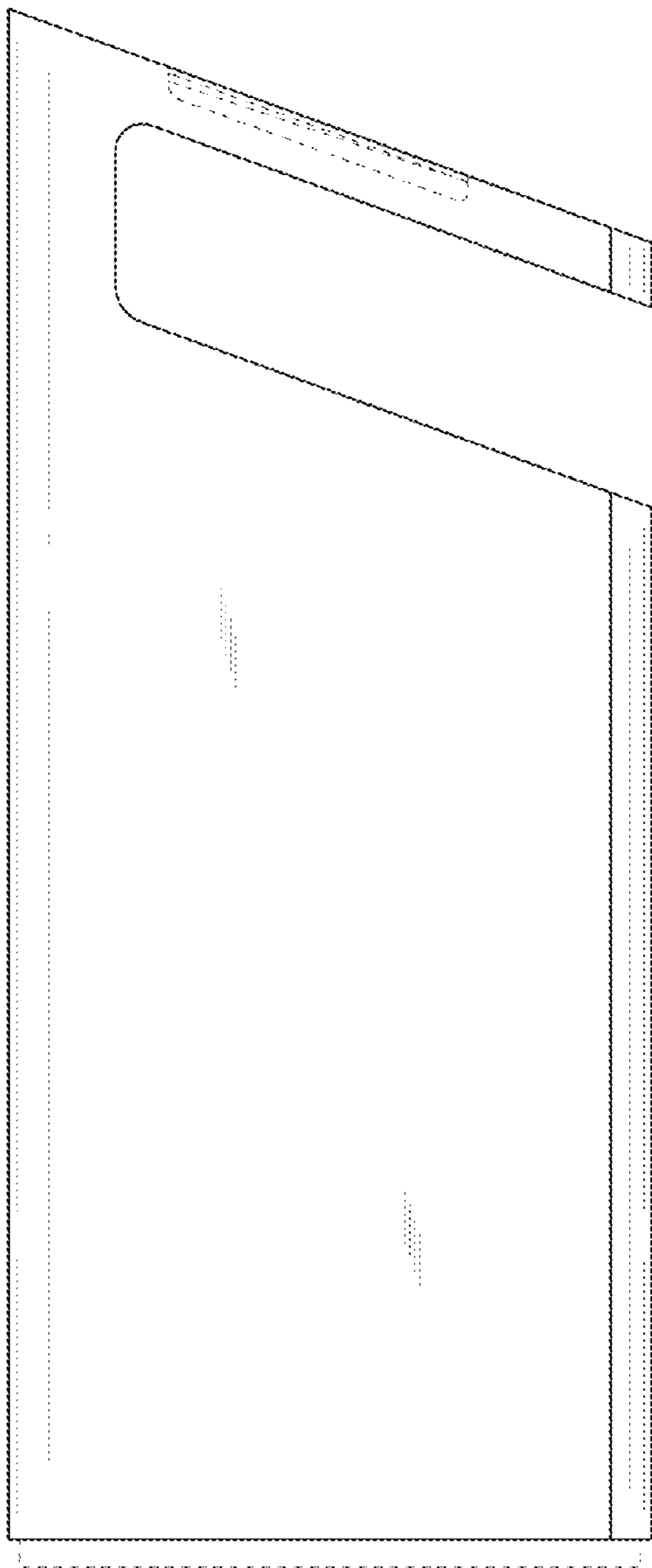


FIG.5

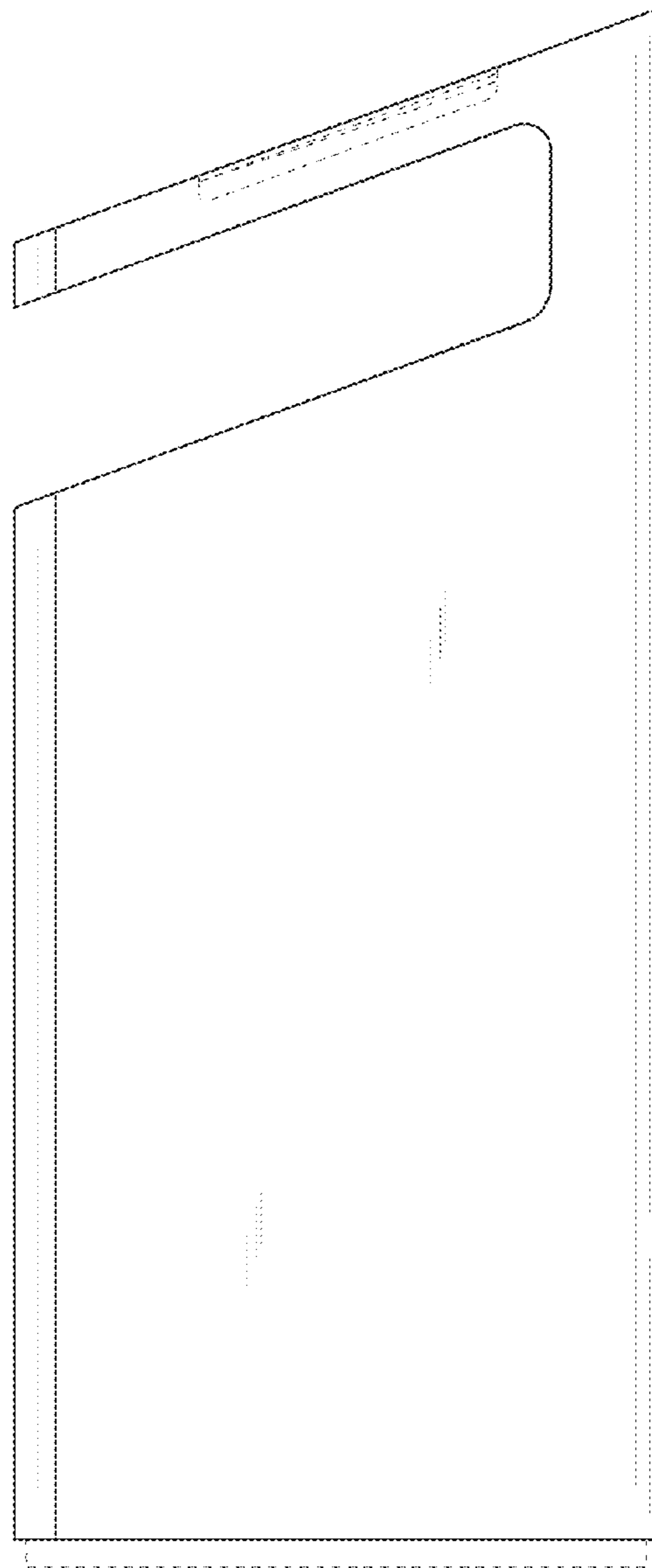


FIG.6

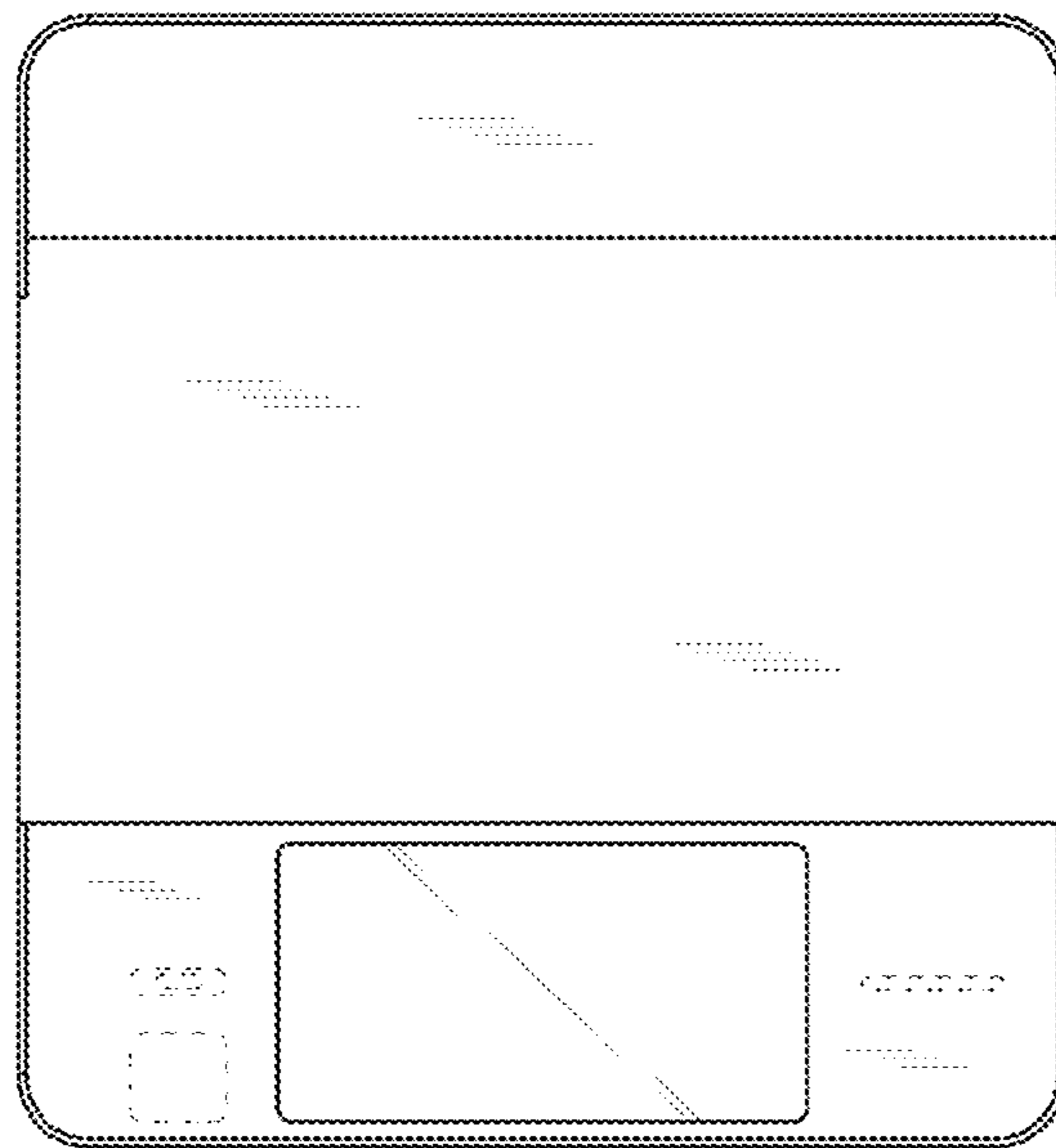


FIG.7

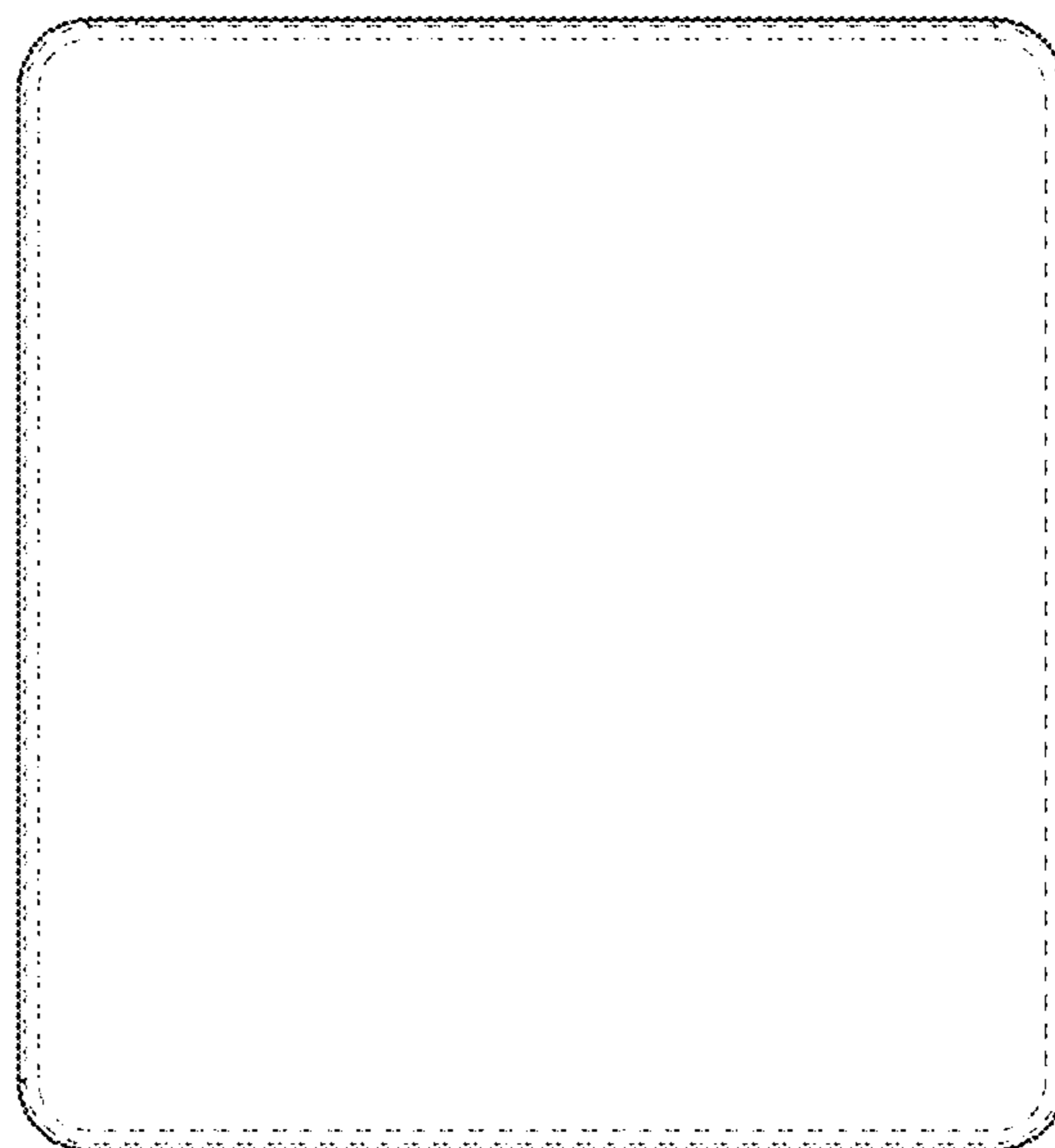


FIG.8

