



US00D752680S

(12) **United States Design Patent**
Kim et al.

(10) **Patent No.:** **US D752,680 S**
(45) **Date of Patent:** **** Mar. 29, 2016**

(54) **COVER FOR HEAD-MOUNTED DISPLAY DEVICE**

7/102-7/12; G02C 7/16; G02C 9/04; G02C 11/00; G02C 11/10; G02B 27/017; G02B 27/0158; G02B 27/0161; G02B 27/0181; G02B 27/0185; G02B 27/0189

(71) Applicant: **Samsung Electronics Co., Ltd.**, Suwon-si (KR)

See application file for complete search history.

(72) Inventors: **Minsoo Kim**, Seoul (KR); **Yongseok Bang**, Yongin-si (KR); **Jinsoo Kim**, Yongin-si (KR)

(56) **References Cited**

U.S. PATENT DOCUMENTS

(73) Assignee: **SAMSUNG ELECTRONICS CO., LTD.**, Suwon-Si (KR)

2,907,041 A * 10/1959 Finn A61F 9/025
2/432
3,016,542 A * 1/1962 Lindblom A61F 9/061
2/432
3,016,543 A * 1/1962 Lindblom A61F 9/061
2/432

(**) Term: **14 Years**

(Continued)

(21) Appl. No.: **29/511,257**

Primary Examiner — Susan Moon Lee

(22) Filed: **Dec. 9, 2014**

(74) *Attorney, Agent, or Firm* — McAndrews Held & Malloy, Ltd.

(30) **Foreign Application Priority Data**

Aug. 25, 2014 (KR) 30-2014-0041205

(51) **LOC (10) Cl.** **16-06**

(52) **U.S. Cl.**
USPC **D16/340**; D16/330; D16/336; D16/309;
D16/312; D14/449; D14/372

(57) **CLAIM**

The ornamental design for a cover for head-mounted display device, as shown and described.

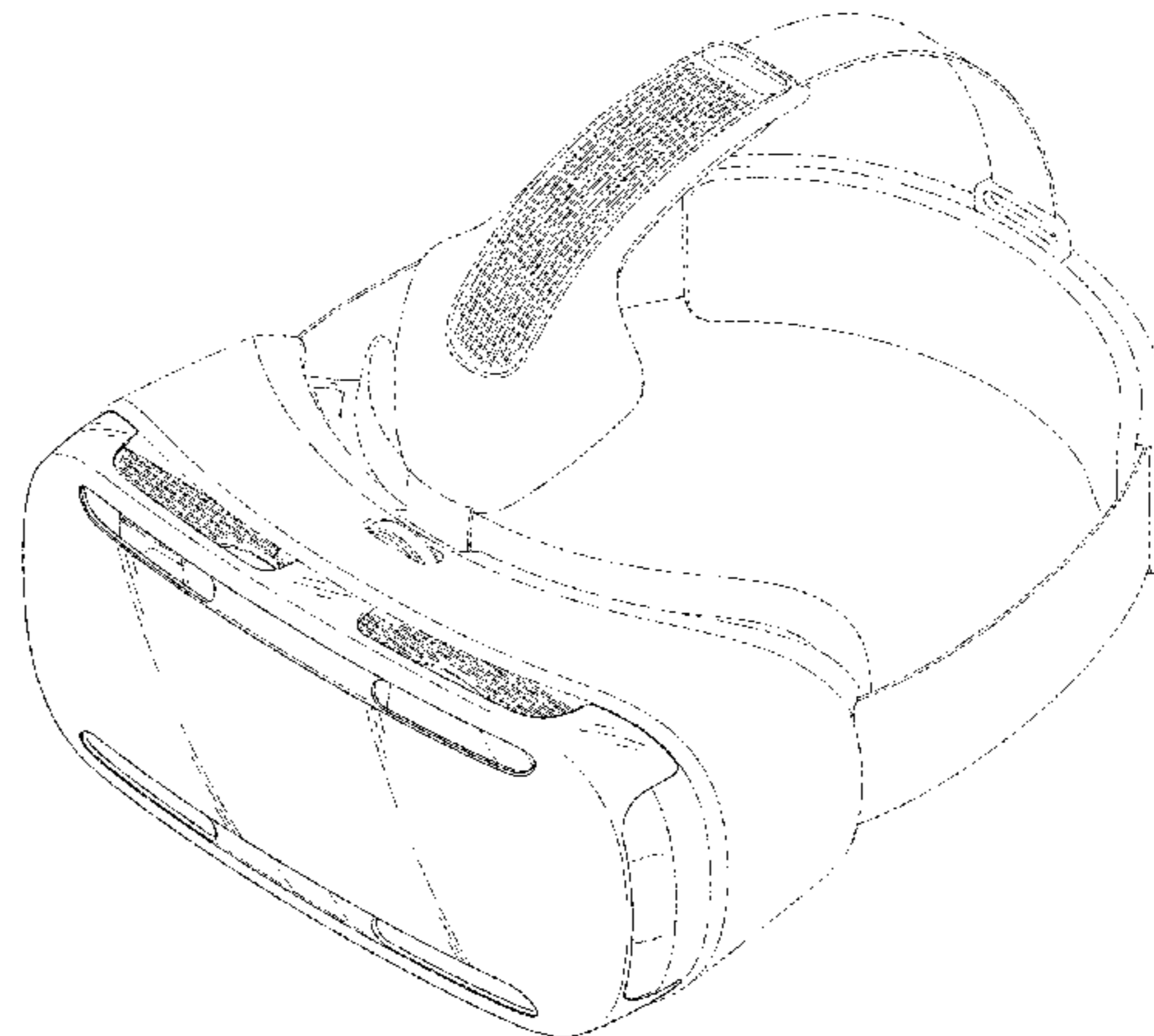
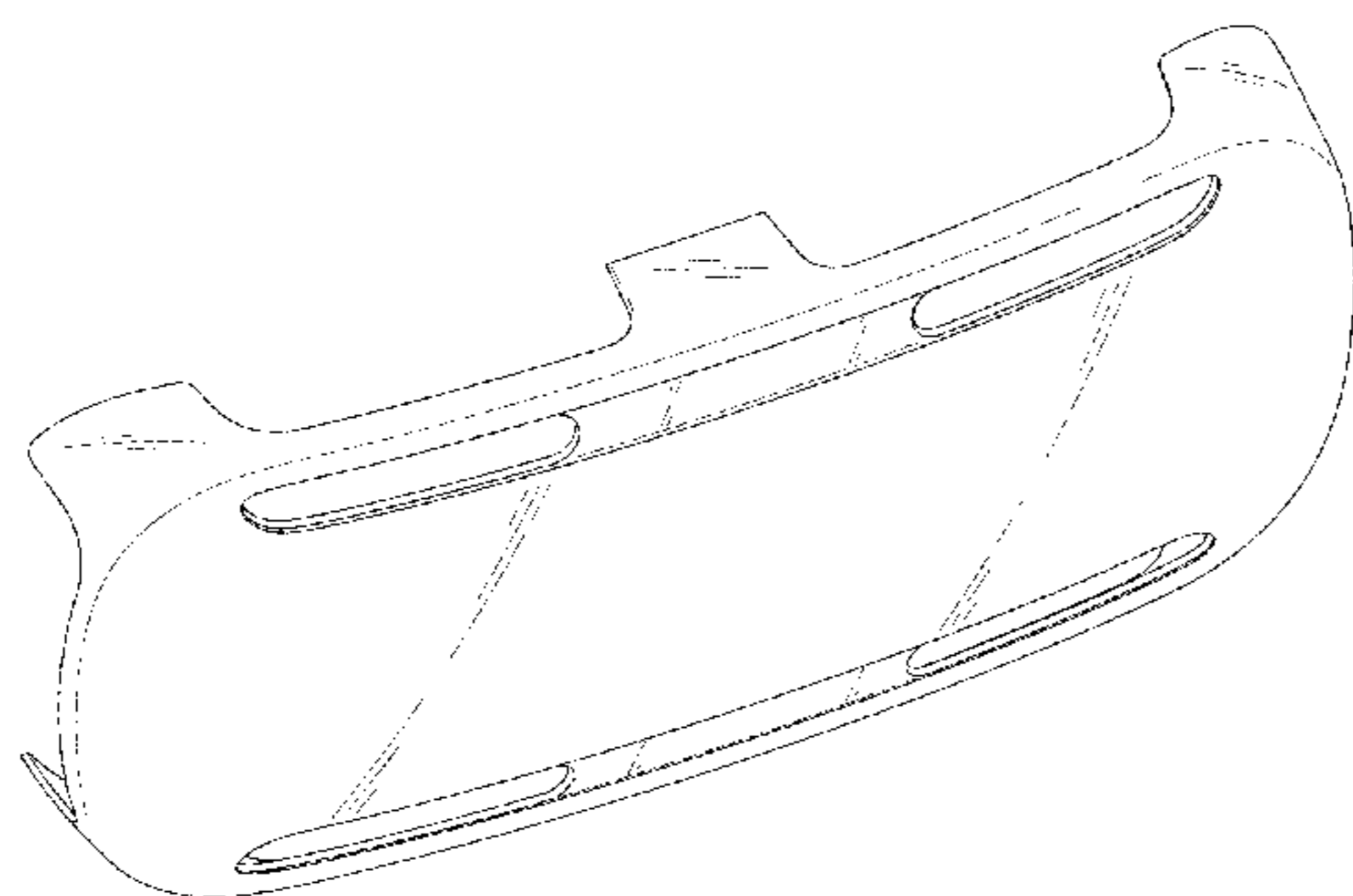
(58) **Field of Classification Search**

USPC D16/101, 300-342, 900; D29/109, 110; D21/483, 659-661, 324-329, 333, 385, D21/419, 420, 421, 468, 678, 683, 694, 771, D21/811; 2/13, 15, 426-444, 447-449, 441, 2/434-437, 12; 351/41, 44-46, 51, 52, 351/59, 62, 63, 92, 103-123, 140-153, 351/158; D14/449, 372, 432, 448, 450, D14/496, 371, 125-129, 299; 150/154; 206/315.1, 316.1; D24/110.2; 345/7-9, 345/905; 455/344; 348/115, 53, 121, 739
CPC A61F 9/00; A61F 9/02; A61F 9/022; A61F 9/023-9/029; A61F 9/045; A61F 2009/021; A61F 9/04; A61F 9/06-9/065; A61F 9/08; A45F 2200/05-2200/0541; A45C 2011/003; A45C 11/04; A45C 11/06; A45C 11/08; A45C 13/002; G02C 7/10; G02C

DESCRIPTION

FIG. 1 is a top left front perspective view of a cover for head-mounted display device showing our new design; FIG. 2 is a front elevation view thereof; FIG. 3 is a rear elevation view thereof; FIG. 4 is a left side elevation view thereof; FIG. 5 is a right side elevation view thereof; FIG. 6 is a top plan view thereof; FIG. 7 is a bottom plan view thereof; and, FIG. 8 is another perspective reference view, in which a head-mounted display device in dot-dot-dash broken lines is provided to illustrate an example environment. The dot-dot-dash broken lines showing a head-mounted display device in FIG. 8 are for the purpose of illustrating environmental structure and form no part of the claimed design.

1 Claim, 8 Drawing Sheets



(56)

References Cited

U.S. PATENT DOCUMENTS

3,056,140	A *	10/1962	Lindblom	A61F 9/025 2/434	D427,982	S *	7/2000	Ishii	D14/372
D194,221	S *	12/1962	Zbikowski	D16/312	D433,411	S *	11/2000	Kawashima	D14/372
D194,556	S *	2/1963	Ranck	D16/309	D436,086	S *	1/2001	Ishii	D14/126
3,225,357	A *	12/1965	Johnson	A61F 9/025 2/434	D439,265	S *	3/2001	Hayashi	D14/372
3,325,825	A *	6/1967	Christianson	A42B 3/185 174/382	D440,967	S *	4/2001	Jung	D14/372
3,414,347	A *	12/1968	Stoltze	G02B 25/004 351/59	D443,864	S *	6/2001	Obata	D14/126
4,021,878	A *	5/1977	Peillex	G02C 11/08 15/250.28	D444,155	S *	6/2001	Morooka	D14/496
4,878,749	A *	11/1989	McGee	G02C 11/02 351/116	D461,486	S *	8/2002	Katagiri	D16/300
4,919,258	A *	4/1990	Perretta	A45C 11/04 206/315.1	D503,188	S *	3/2005	Lin	D16/300
4,971,429	A *	11/1990	Ishido	G02B 23/18 359/409	D505,969	S *	6/2005	Yeung	D16/309
5,042,910	A *	8/1991	Dolezal	G02C 7/14 2/428	D513,031	S *	12/2005	Travers	D16/300
5,106,179	A *	4/1992	Kamaya	A61F 9/08 351/158	D513,032	S *	12/2005	Diamantidis	D16/300
D338,514	S *	8/1993	Holmes	D14/372	D525,666	S *	7/2006	Yeung	D16/312
5,276,471	A *	1/1994	Yamauchi	G02B 27/0176 345/8	D566,744	S *	4/2008	Travers	D16/300
5,347,400	A *	9/1994	Hunter	G02B 3/08 345/7	D579,014	S *	10/2008	Travers	D14/372
D351,622	S *	10/1994	Holmes	D14/372	D590,003	S *	4/2009	Knecht	D16/311
D352,046	S *	11/1994	Kataoka	D16/130	D591,334	S *	4/2009	Hsu	D16/330
5,371,556	A *	12/1994	Suwa	G02B 27/0172 348/51	D601,641	S *	10/2009	Yeung	D16/306
D359,502	S *	6/1995	Hicks	D16/311	D645,862	S *	9/2011	Paul	D14/372
D363,482	S *	10/1995	Robinson	D14/372	D704,706	S *	5/2014	Serota	D14/372
5,501,321	A *	3/1996	Liu	A45C 11/04 206/5	D709,880	S *	7/2014	Kim	D14/372
D369,595	S *	5/1996	Kober	D14/372	D719,953	S *	12/2014	Nokuo	D14/372
D370,909	S *	6/1996	Oikawa	D14/372	D727,318	S *	4/2015	Garcia Marin	D14/372
D374,002	S *	9/1996	Bassett	D14/372	D729,307	S *	5/2015	Noordzij	D16/340
D375,495	S *	11/1996	MacIness	D14/372	D732,028	S *	6/2015	Kim	D14/372
D383,455	S *	9/1997	MacInnes	D14/372	D736,771	S *	8/2015	West	D14/372
5,682,172	A *	10/1997	Travers	A42B 3/042 345/8	D738,374	S *	9/2015	Luckey	D14/372
D388,426	S *	12/1997	Pombo	D14/372	D739,855	S *	9/2015	Bosveld	D14/372
D394,649	S *	5/1998	Pombo	D14/372	D740,283	S *	10/2015	Bosveld	D14/372
5,844,530	A *	12/1998	Tosaki	G02B 27/017 345/7	D740,810	S *	10/2015	Bosveld	D14/372
5,880,773	A *	3/1999	Suzuki	G02B 7/12 345/8	D740,811	S *	10/2015	Bosveld	D14/372
6,049,917	A *	4/2000	Ryden	A61F 9/028 2/171.3	D740,814	S *	10/2015	Bosveld	D14/372
6,050,717	A *	4/2000	Kosugi	G05B 19/409 345/214	D740,815	S *	10/2015	Bosveld	D14/372
						D740,816	S *	10/2015	Bosveld	D14/372
						D741,323	S *	10/2015	Bosveld	D14/372
						D741,324	S *	10/2015	Bosveld	D14/372
						D741,326	S *	10/2015	Bosveld	D14/372
						2003/0145368	A1 *	8/2003	Johnson	A61F 9/029 2/434
						2004/0019948	A1 *	2/2004	Patire	A61F 9/029 2/15
						2007/0093685	A1 *	4/2007	Bighetty	A61F 9/04 600/26
						2010/0287676	A1 *	11/2010	Seo	A61F 9/064 2/8.2
						2011/0146858	A1 *	6/2011	Parks	A45C 11/04 150/154
						2012/0005811	A1 *	1/2012	McCrory	A61F 9/029 2/439
						2014/0182754	A1 *	7/2014	Young	A45F 5/02 150/154
						2014/0336565	A1 *	11/2014	Nichols	A61M 11/005 604/24

* cited by examiner

FIG. 1

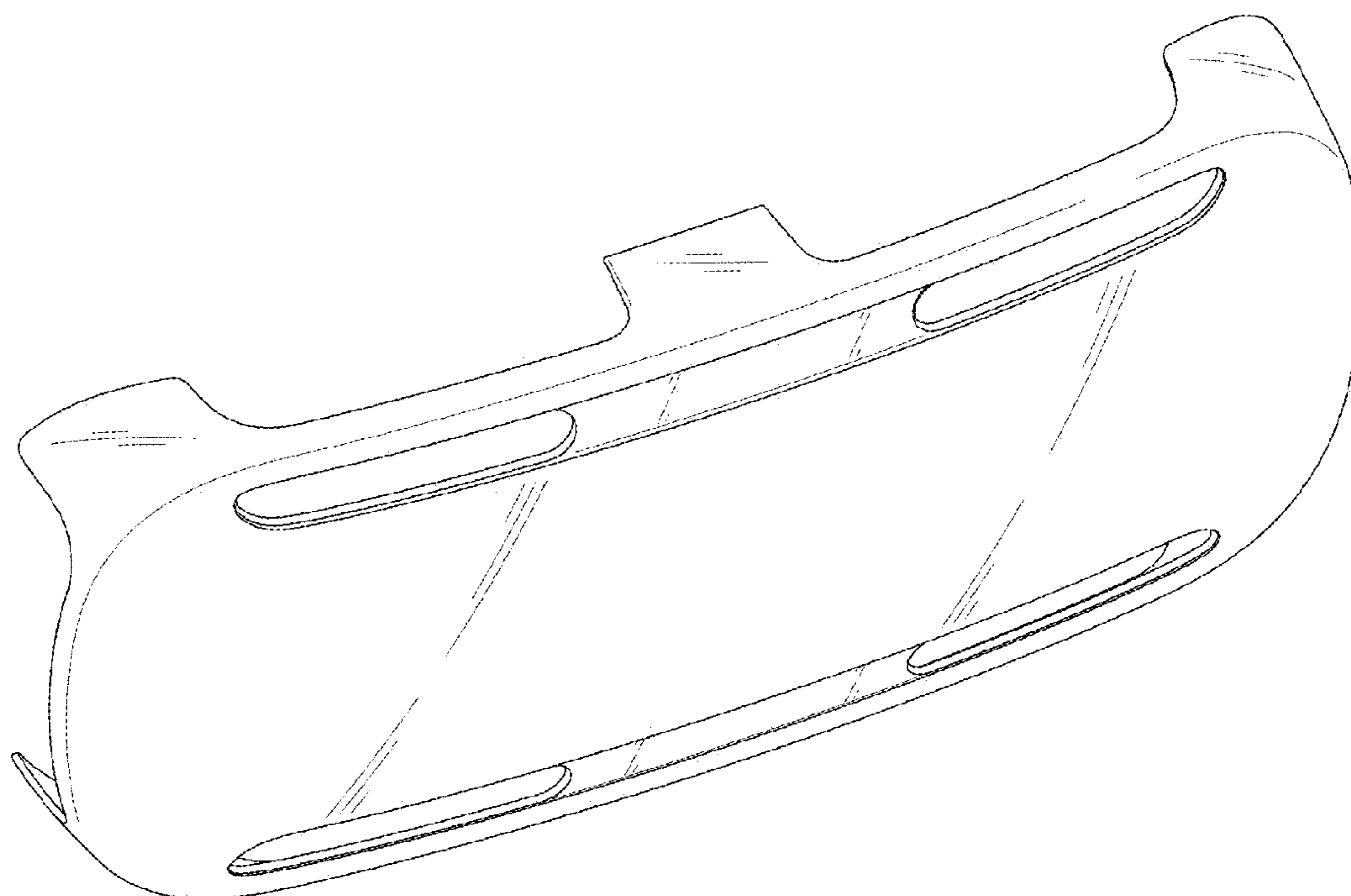


FIG. 2

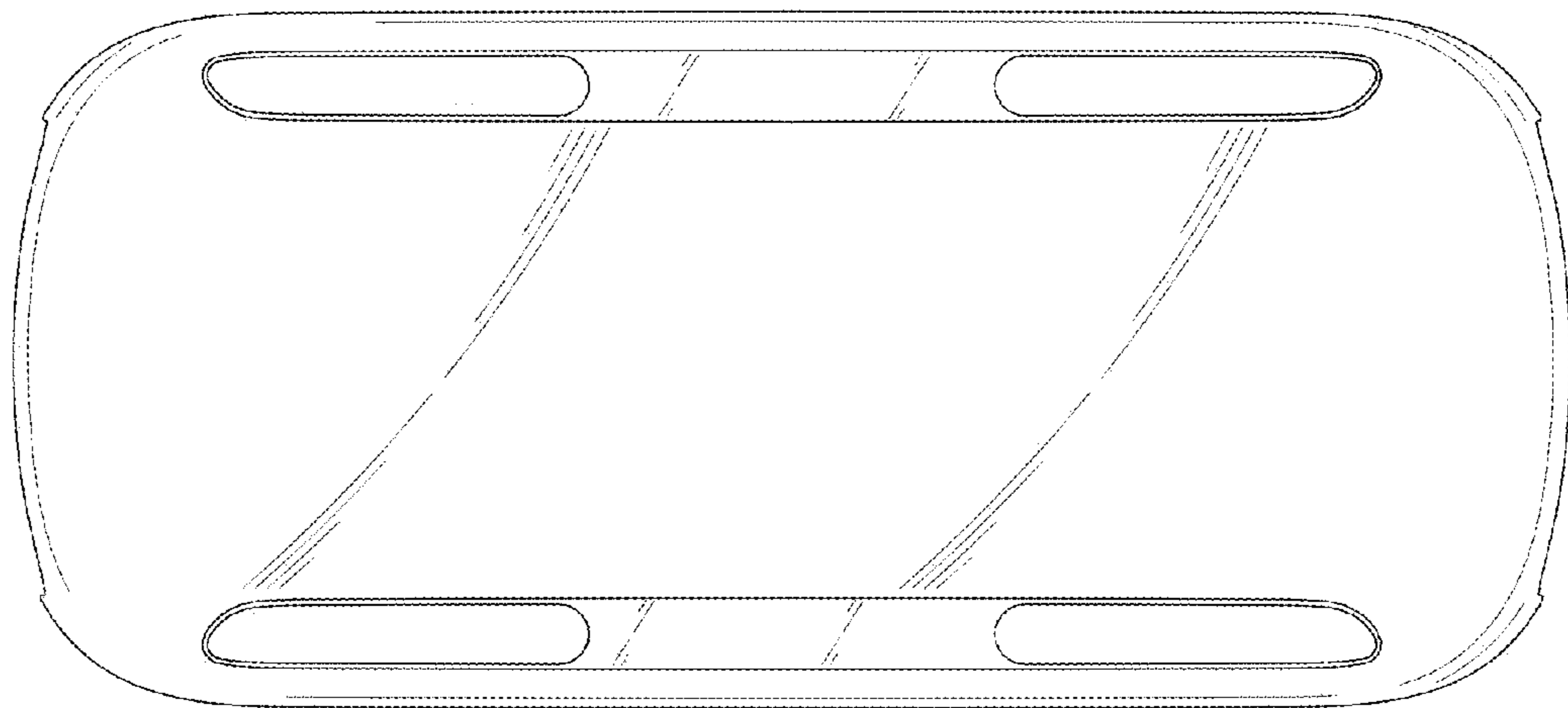


FIG. 3

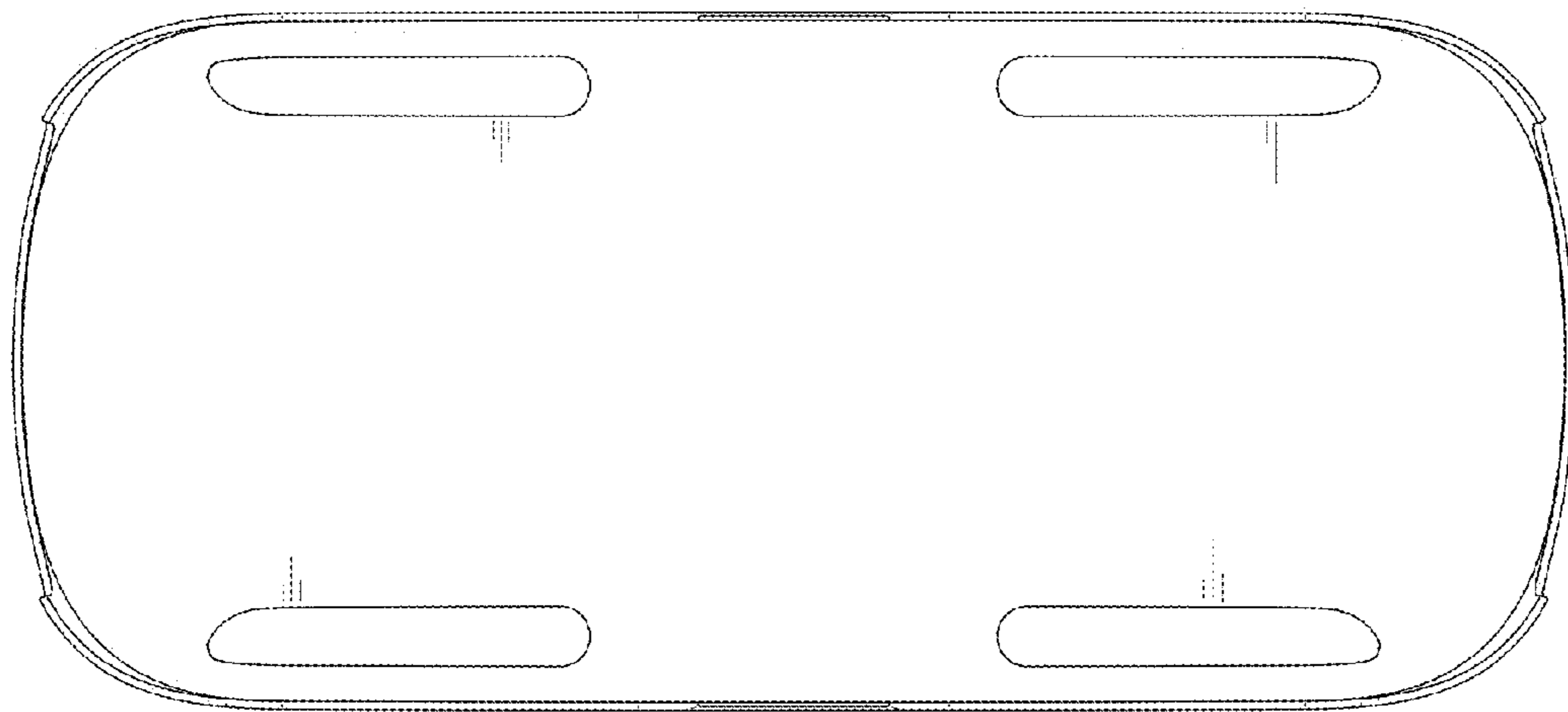


FIG. 4

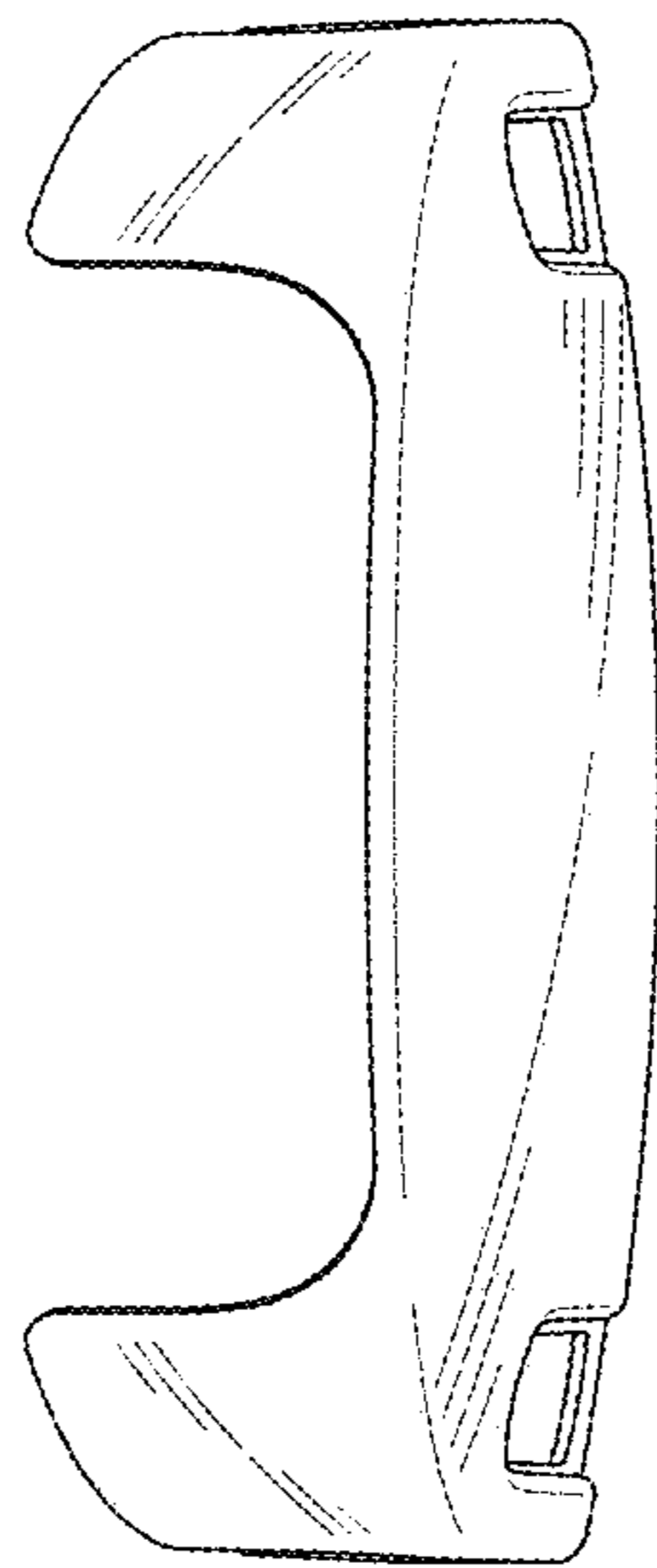


FIG. 5

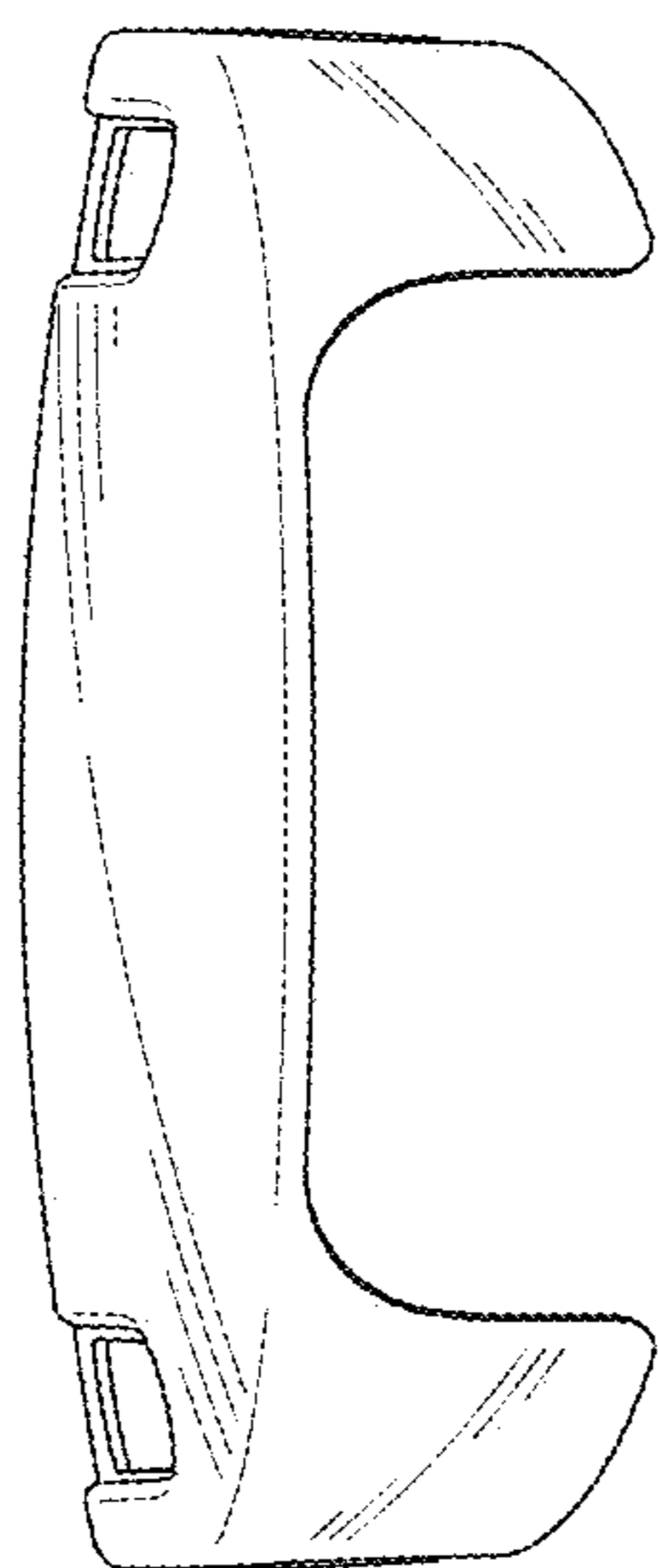


FIG. 6

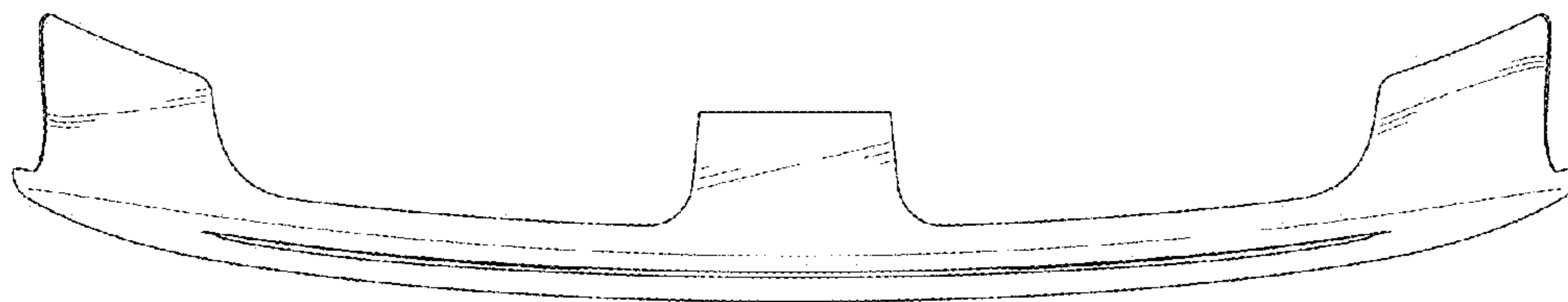


FIG. 7

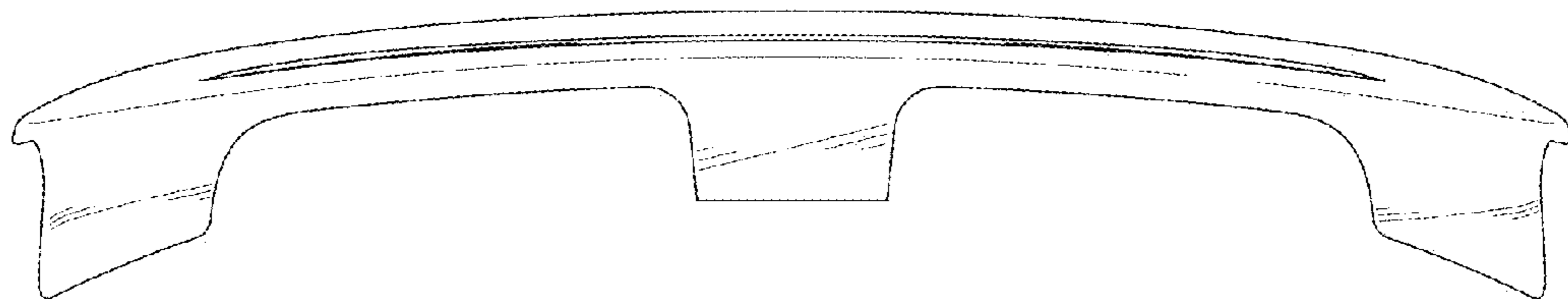


FIG. 8

