



US00D752679S

(12) **United States Design Patent**
Smith et al.

(10) **Patent No.:** **US D752,679 S**
(45) **Date of Patent:** **** Mar. 29, 2016**

- (54) **EYEGLASSES**
- (71) Applicants: **Michele W. Smith**, Mercer Island, WA (US); **Tanner H. Smith**, Mercer Island, WA (US)
- (72) Inventors: **Michele W. Smith**, Mercer Island, WA (US); **Tanner H. Smith**, Mercer Island, WA (US)
- (**) Term: **14 Years**
- (21) Appl. No.: **29/502,323**
- (22) Filed: **Sep. 15, 2014**
- (51) **LOC (10) Cl.** **16-06**
- (52) **U.S. Cl.**
USPC **D16/326**; D16/311
- (58) **Field of Classification Search**
USPC D16/101, 300-342, 900; D29/109, 110; 351/44-63, 92-123, 140-158, 66; 2/13, 15, 426-437, 441-449; D21/483, D21/659-661; D14/372
CPC A63B 33/00; A63B 33/002; A63B 2033/004; A63B 2033/006; A63B 2033/008; G02C 5/006; G02C 5/008; G02C 5/20; G02C 5/08; G02C 5/16; G02C 5/143; G02C 9/04; G02C 3/003; G02C 3/04; G02C 2200/02
See application file for complete search history.

- (56) **References Cited**
U.S. PATENT DOCUMENTS
1,159,751 A * 11/1915 Day G02C 5/006
2/454
2,975,426 A * 3/1961 Rabb G02C 5/006
2/13
D190,971 S * 7/1961 Rabb D16/303
3,361,514 A * 1/1968 Davis G02C 5/006
351/113
3,614,216 A * 10/1971 Rosenthal A61F 9/027
2/454
3,774,998 A * 11/1973 Kise G02C 3/003
351/113

- 3,796,482 A * 3/1974 Blumenthal G02C 5/16
351/114
- 4,037,946 A * 7/1977 Blumenthal G02C 5/16
351/114
- 4,129,362 A * 12/1978 Lorenzo G02C 3/003
351/120
- 4,681,410 A * 7/1987 Paulsen G02C 5/006
351/119
- 5,208,616 A * 5/1993 Chang G02C 5/08
351/158
- 5,532,766 A * 7/1996 Mateer G02C 5/006
351/149
- 5,555,038 A * 9/1996 Conway A61F 9/02
351/159.02
- D381,673 S * 7/1997 Flanagan D16/326
- D409,219 S * 5/1999 Huang D16/303
- 5,956,117 A * 9/1999 Suh G02C 3/003
351/119

(Continued)

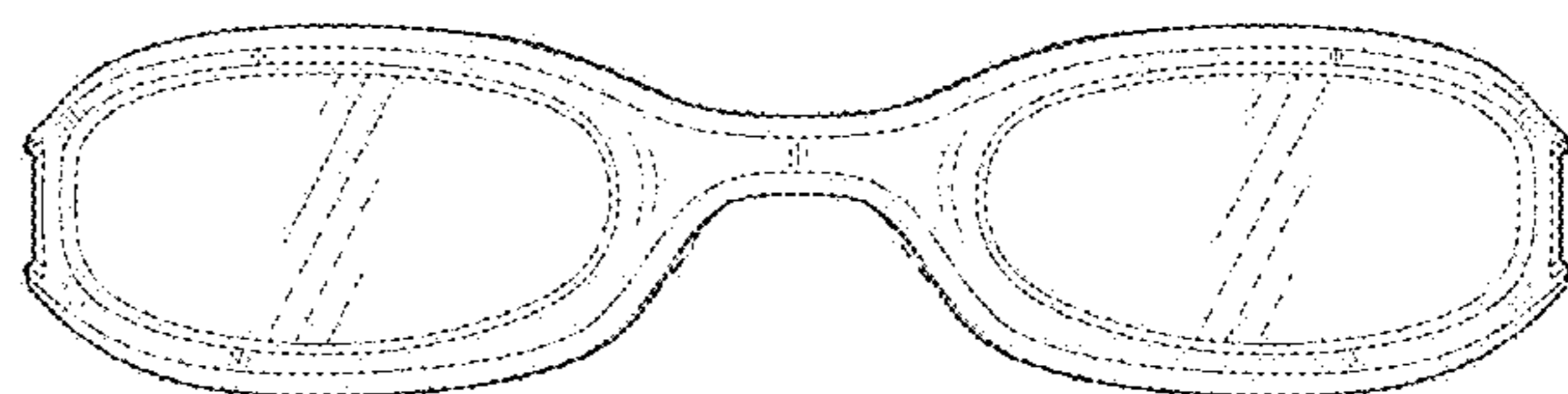
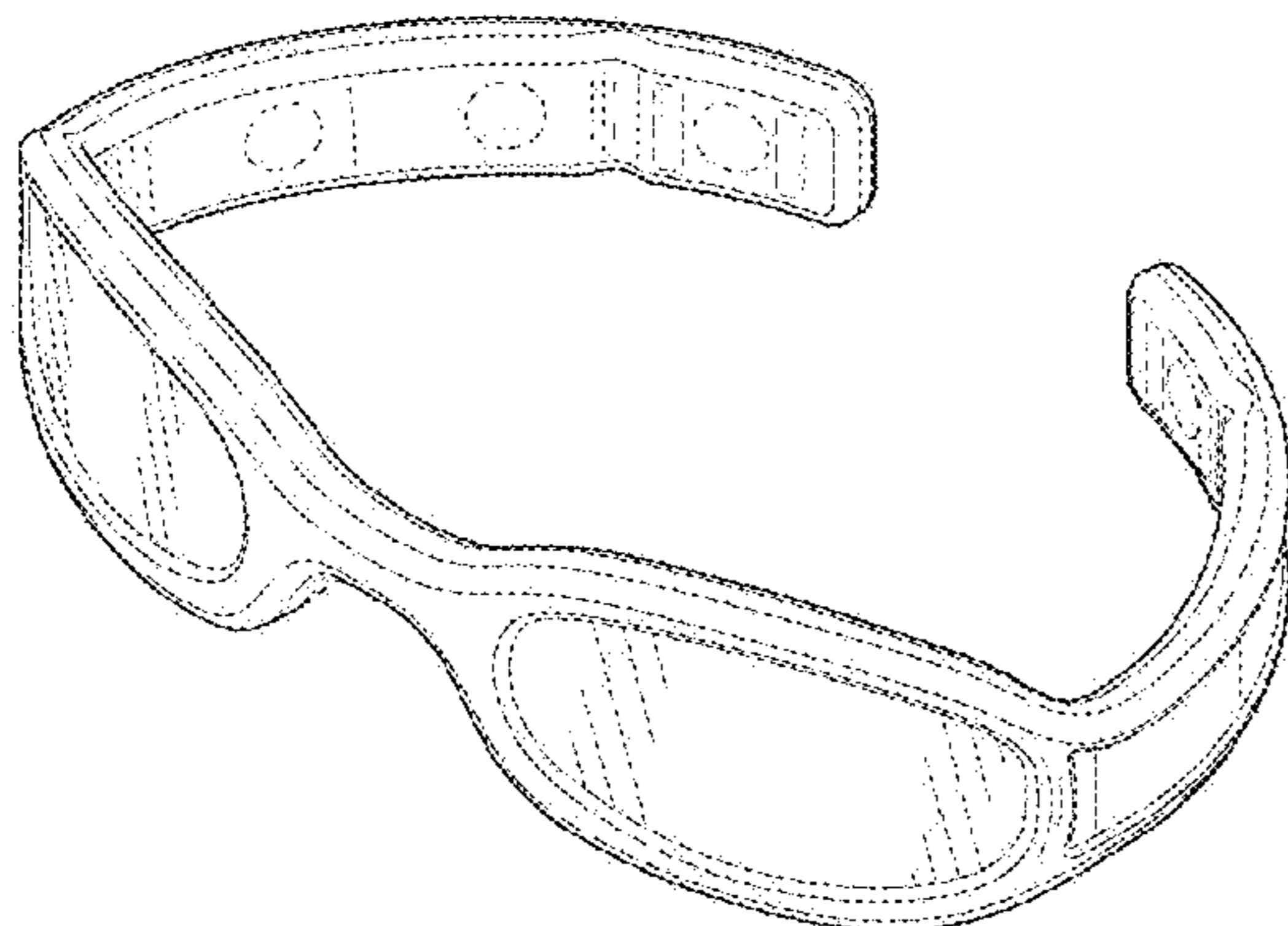
Primary Examiner — Susan Moon Lee
(74) *Attorney, Agent, or Firm* — DWC Law Firm, P.S.; David Chen

(57) **CLAIM**
The ornamental design for eyeglasses, as shown and described.

DESCRIPTION

FIG. 1 is a top perspective view of eyeglasses of the claimed invention.
FIG. 2 is a bottom perspective view of the eyeglasses of FIG. 1.
FIG. 3 is a front side elevation view of the eyeglasses of FIG. 1.
FIG. 4 is a back side elevation view of the eyeglasses of FIG. 1.
FIG. 5 is a left side elevation view of the eyeglasses of FIG. 1.
FIG. 6 is a right side elevation view of the eyeglasses of FIG. 1.
FIG. 7 is a top plan view of the eyeglasses of FIG. 1; and, FIG. 8 is a bottom plan view of the eyeglasses of FIG. 1.
The broken lines in the drawings illustrate portions of the eyeglasses which form no part of the claimed design.

1 Claim, 6 Drawing Sheets



(56)

References Cited

U.S. PATENT DOCUMENTS

D417,882 S * 12/1999 Merhazion D16/303
 D438,885 S * 3/2001 Haslbeck D16/303
 6,375,324 B2 * 4/2002 Schleger A61N 2/06
 351/111
 6,379,003 B1 * 4/2002 Seong G02C 3/003
 351/156
 6,540,349 B1 * 4/2003 Liesegang G02C 3/00
 351/126
 7,172,283 B1 * 2/2007 Asta G02C 3/04
 24/3.3
 D590,002 S * 4/2009 Chiang D16/303
 7,651,217 B2 * 1/2010 Welchel G02C 3/003
 351/110
 D613,785 S * 4/2010 Chiang D16/303
 D613,787 S * 4/2010 Chiang D16/303
 2003/0020868 A1 * 1/2003 Woford G02C 3/003
 351/156
 2004/0032652 A1 * 2/2004 Holmes G02B 25/004
 359/408

2004/0141148 A1 * 7/2004 Chou G02C 5/006
 351/63
 2005/0237624 A1 * 10/2005 Foldes G02C 3/003
 359/638
 2005/0270478 A1 * 12/2005 Curci G02C 5/04
 351/109
 2009/0190088 A1 * 7/2009 Strobel G02C 5/006
 351/63
 2009/0257019 A1 * 10/2009 DiChiara G02C 1/04
 351/106
 2010/0283960 A1 * 11/2010 Berdou G02C 5/006
 351/156
 2012/0216374 A1 * 8/2012 Manuello A41F 1/002
 24/303
 2012/0224136 A1 * 9/2012 Wang G02C 5/06
 351/63
 2013/0321759 A1 * 12/2013 Allen G02C 3/04
 351/114
 2014/0063440 A1 * 3/2014 Butler G02C 5/008
 351/114
 2015/0226979 A1 * 8/2015 Lundh G02C 5/006
 351/63

* cited by examiner

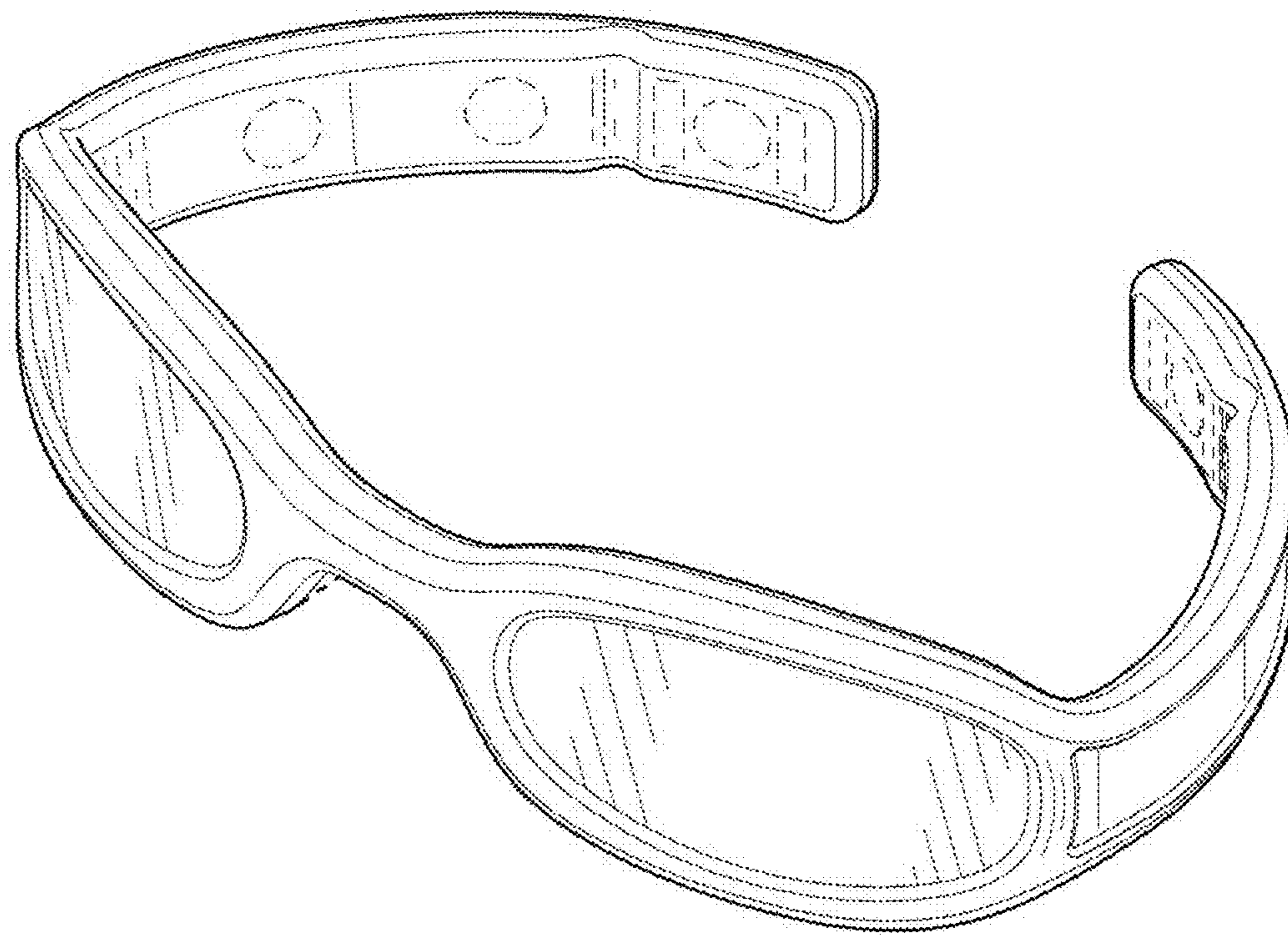


FIG. 1

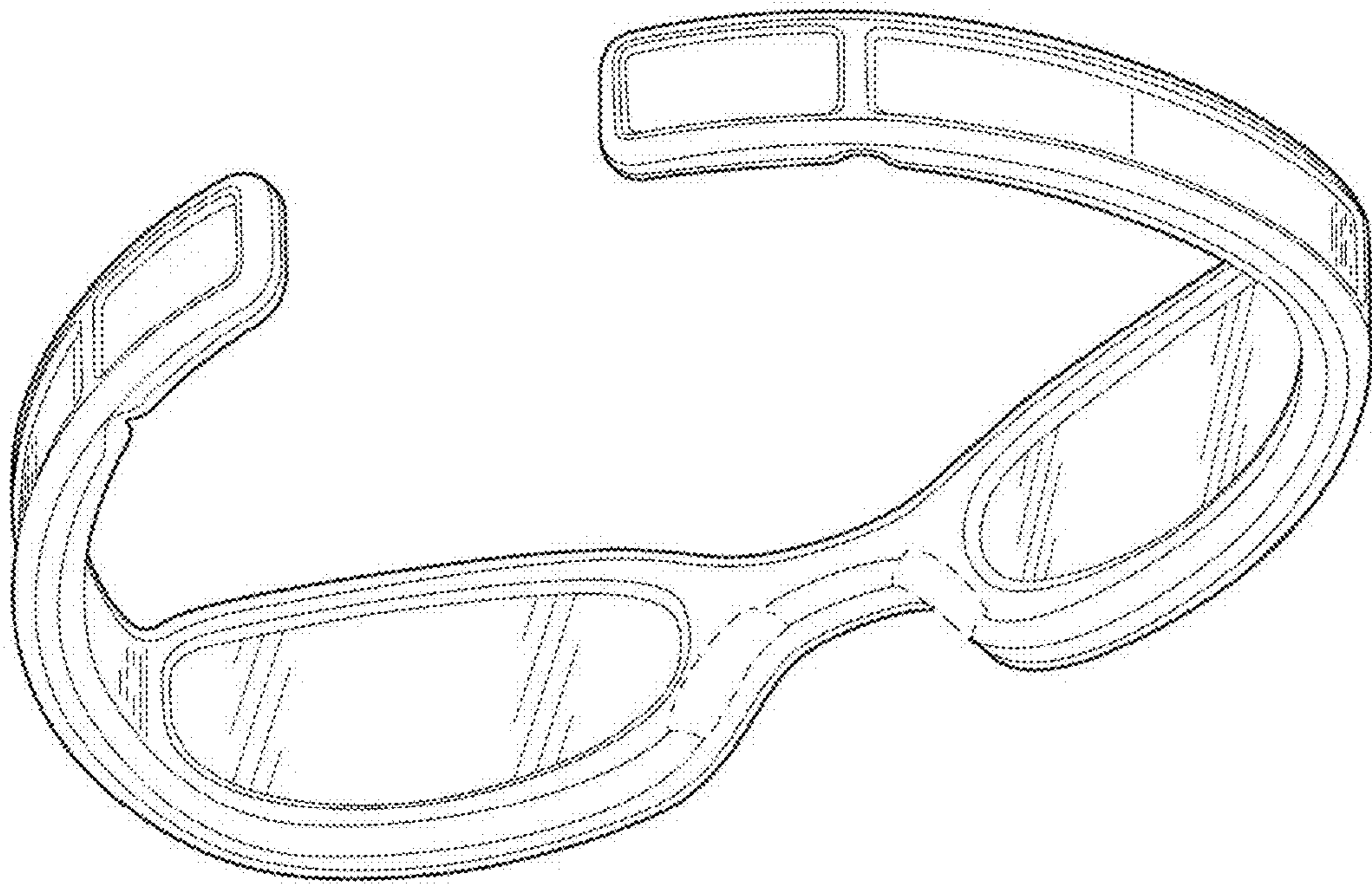


FIG. 2

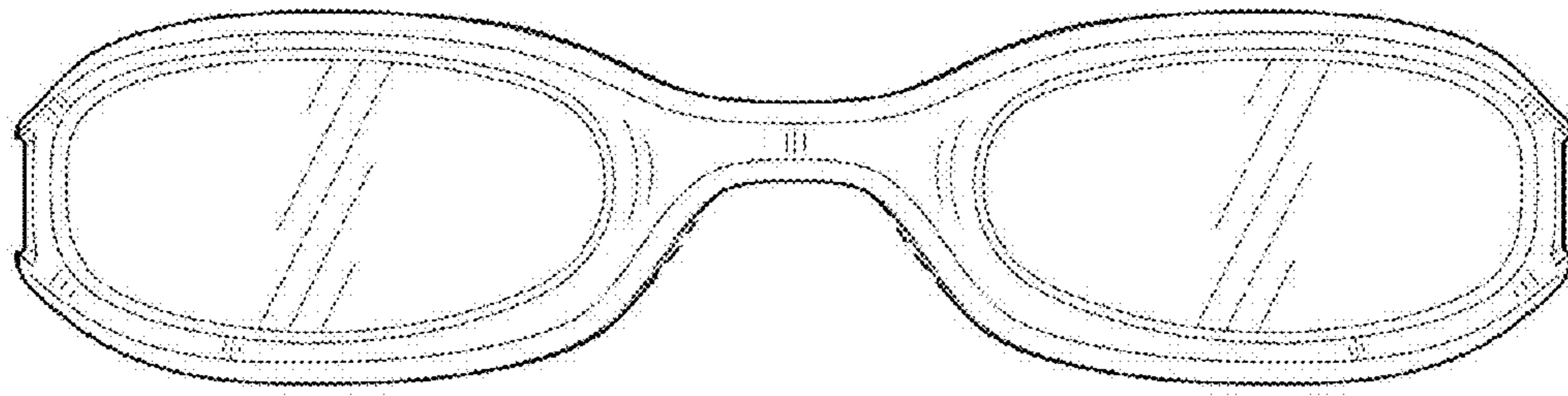


FIG. 3

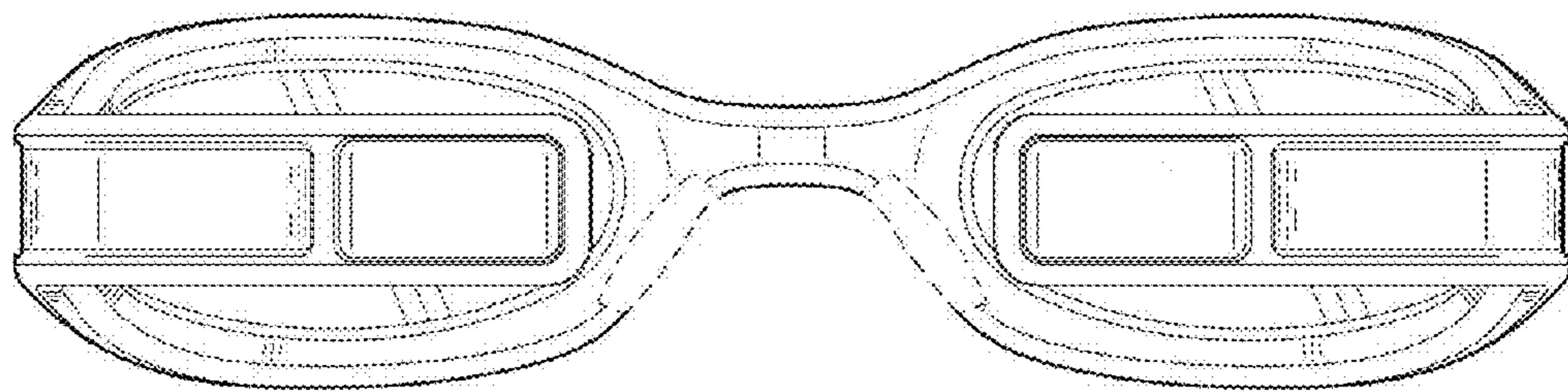


FIG. 4

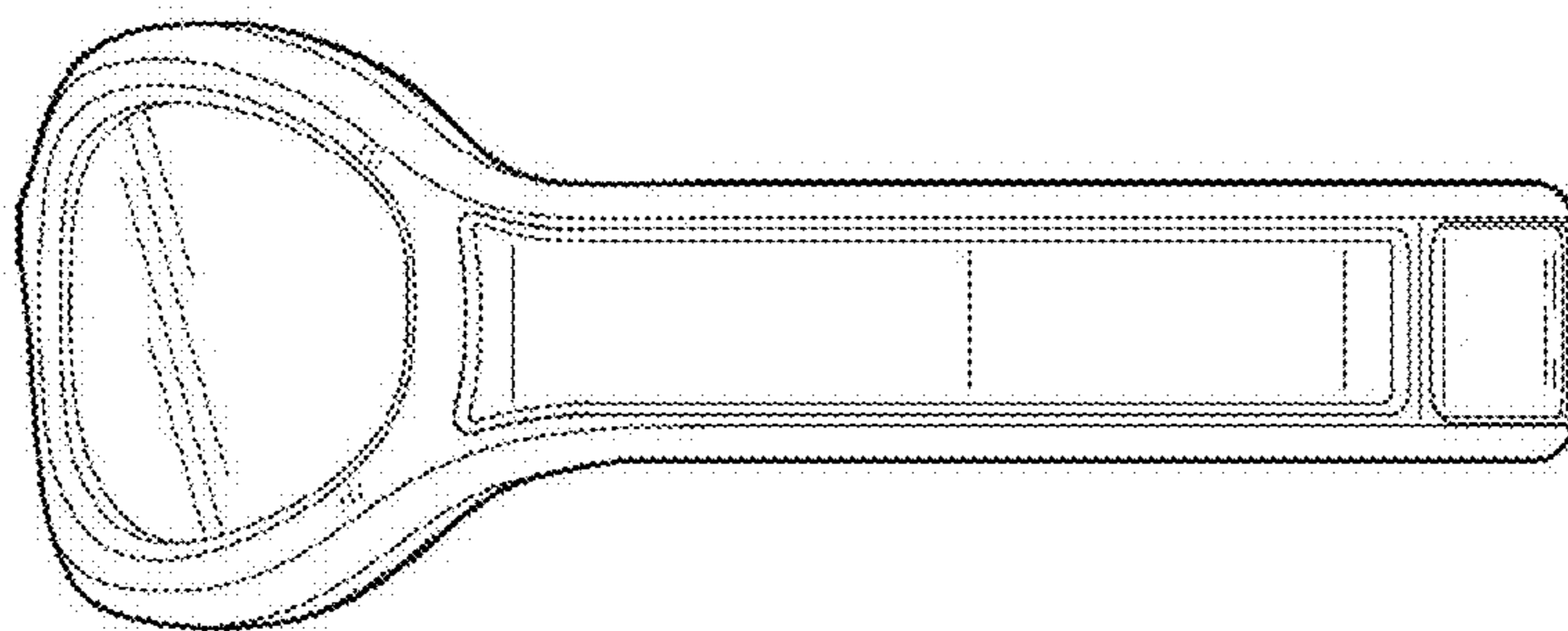


FIG. 5

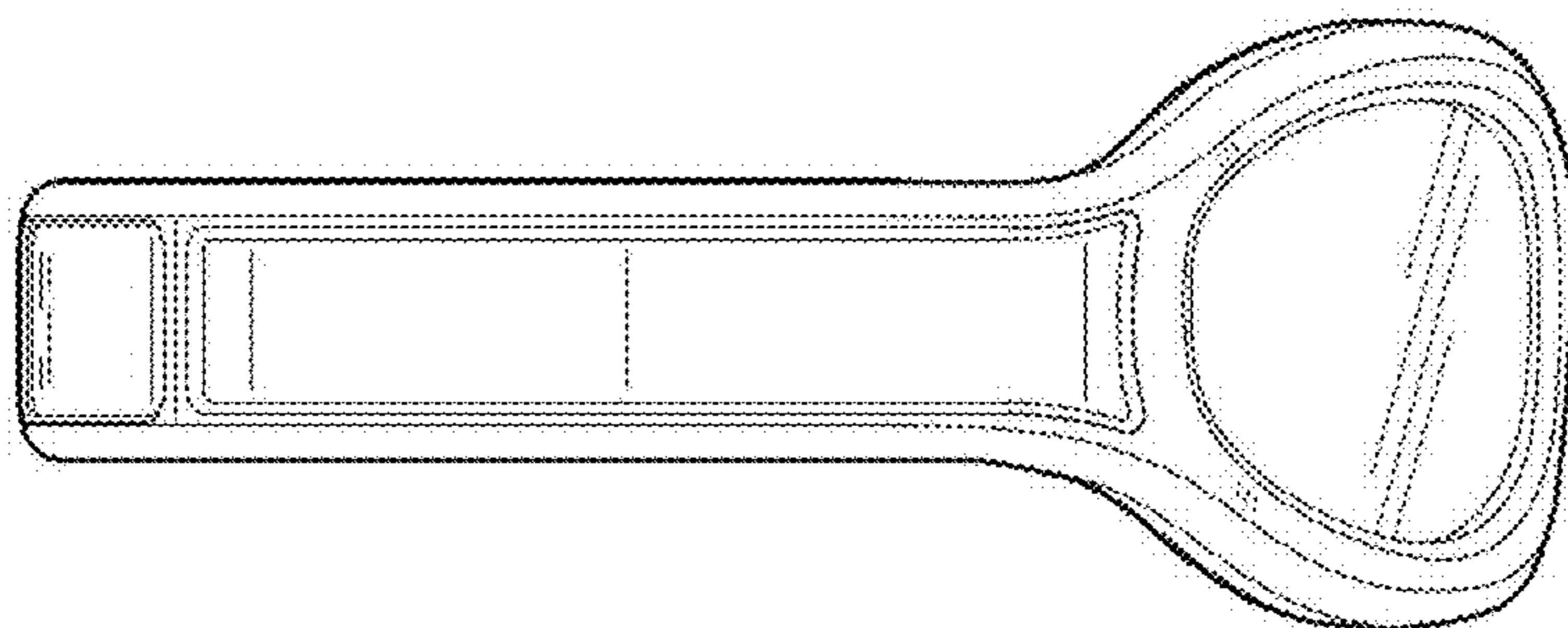


FIG. 6

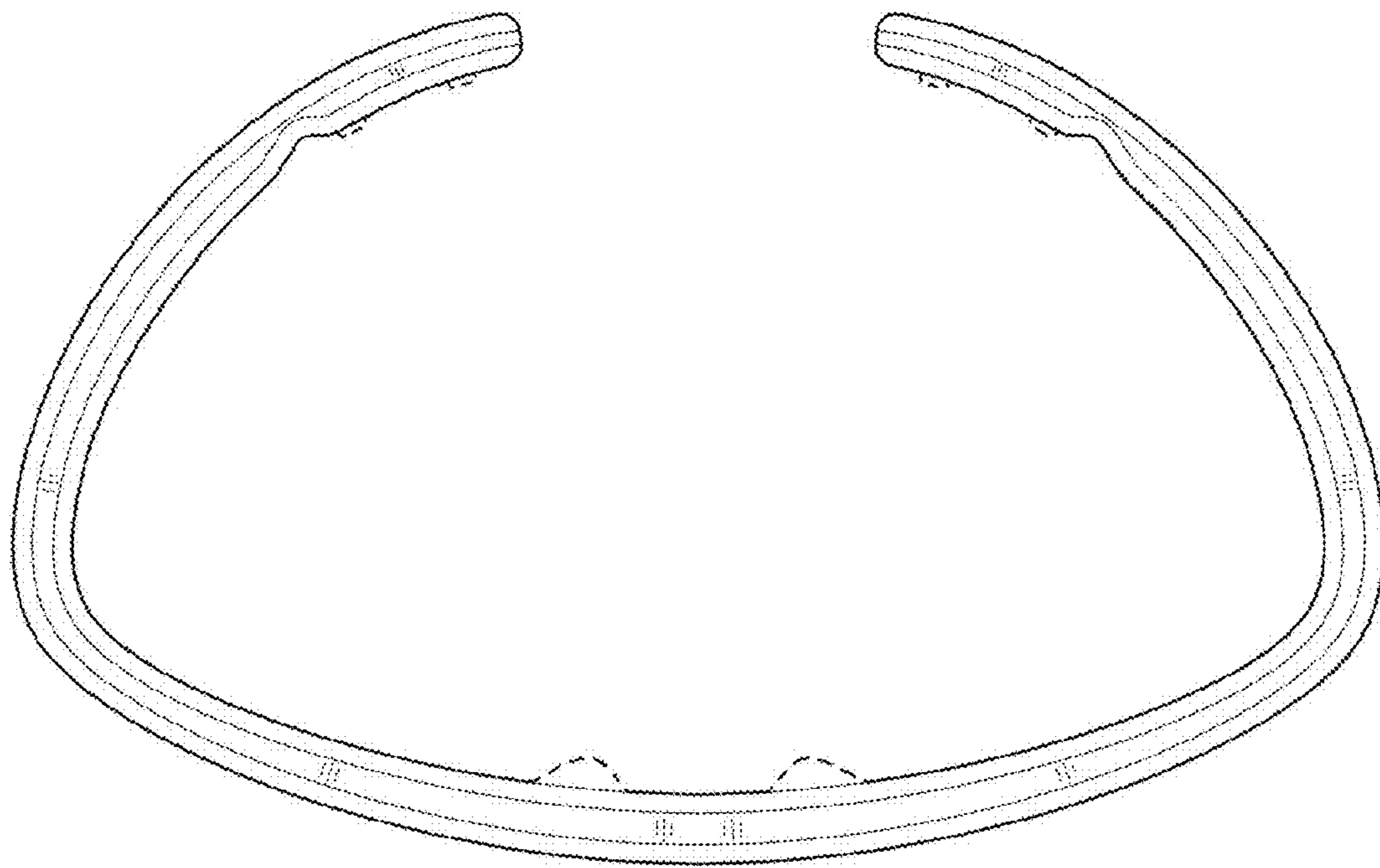


FIG. 7

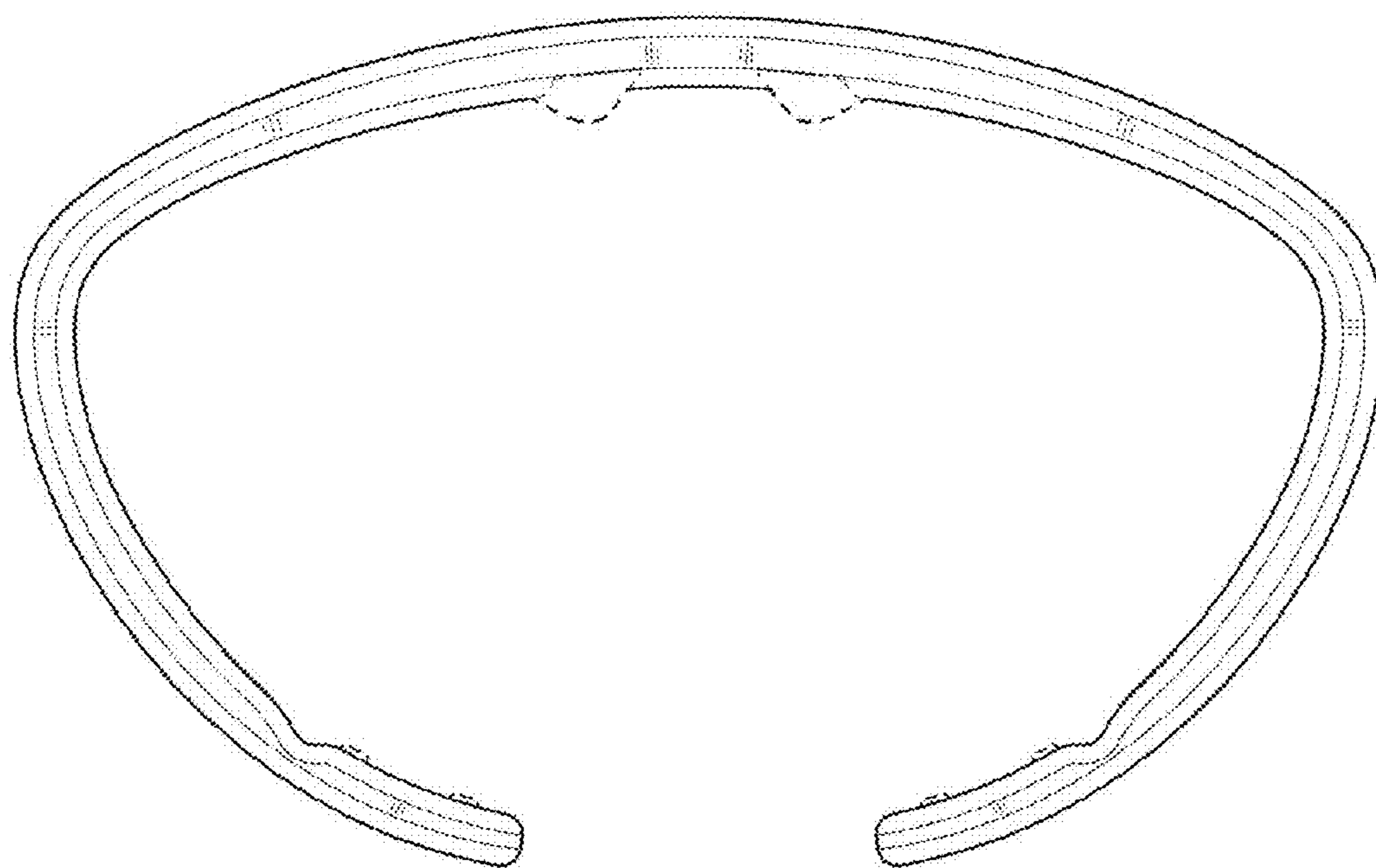


FIG. 8