



US00D752677S

(12) **United States Design Patent**
Fliger

(10) **Patent No.:** **US D752,677 S**

(45) **Date of Patent:** **** Mar. 29, 2016**

(54) **CAMERA MOUNTING PLATE WITH
DEPLOYABLE ATTACHMENT POINT**

(71) Applicant: **Lynn Fliger**, Minneapolis, MN (US)

(72) Inventor: **Lynn Fliger**, Minneapolis, MN (US)

(**) Term: **14 Years**

(21) Appl. No.: **29/464,274**

(22) Filed: **Aug. 14, 2013**

(51) **LOC (10) Cl.** **16-05**

(52) **U.S. Cl.**
USPC **D16/242**

(58) **Field of Classification Search**

USPC D16/205, 208, 211, 214, 218-220, 235,
D16/237-250, 302, 303; D8/354, 363, 394,
D8/395; D14/217, 251, 253, 447, 452
CPC G03B 17/14; G03B 17/26; G03B 17/30;
G03B 17/56; G03B 17/561-17/568; G03B
21/54; F16M 11/14; F16M 11/26; F16M
13/04; H04N 5/2254

See application file for complete search history.

(56) **References Cited**

U.S. PATENT DOCUMENTS

D367,284 S *	2/1996	Hoerter	D16/242
D470,522 S *	2/2003	Friedricks et al.	D16/211
D626,165 S *	10/2010	Raken et al.	D16/242
D627,813 S *	11/2010	Chen et al.	D16/202
D659,178 S *	5/2012	Huang et al.	D16/242
8,328,440 B2 *	12/2012	Piltz	396/428
D682,332 S *	5/2013	Wang et al.	D16/202
D682,814 S *	5/2013	Kadivar et al.	D14/239
D701,260 S *	3/2014	Burton	D16/242
2014/0158845 A1 *	6/2014	Fliger et al.	248/309.1

* cited by examiner

Primary Examiner — Susan Bennett Hattan

Assistant Examiner — Vy Koenig

(74) *Attorney, Agent, or Firm* — Geiser Law, PLLC; Greg N. Geiser

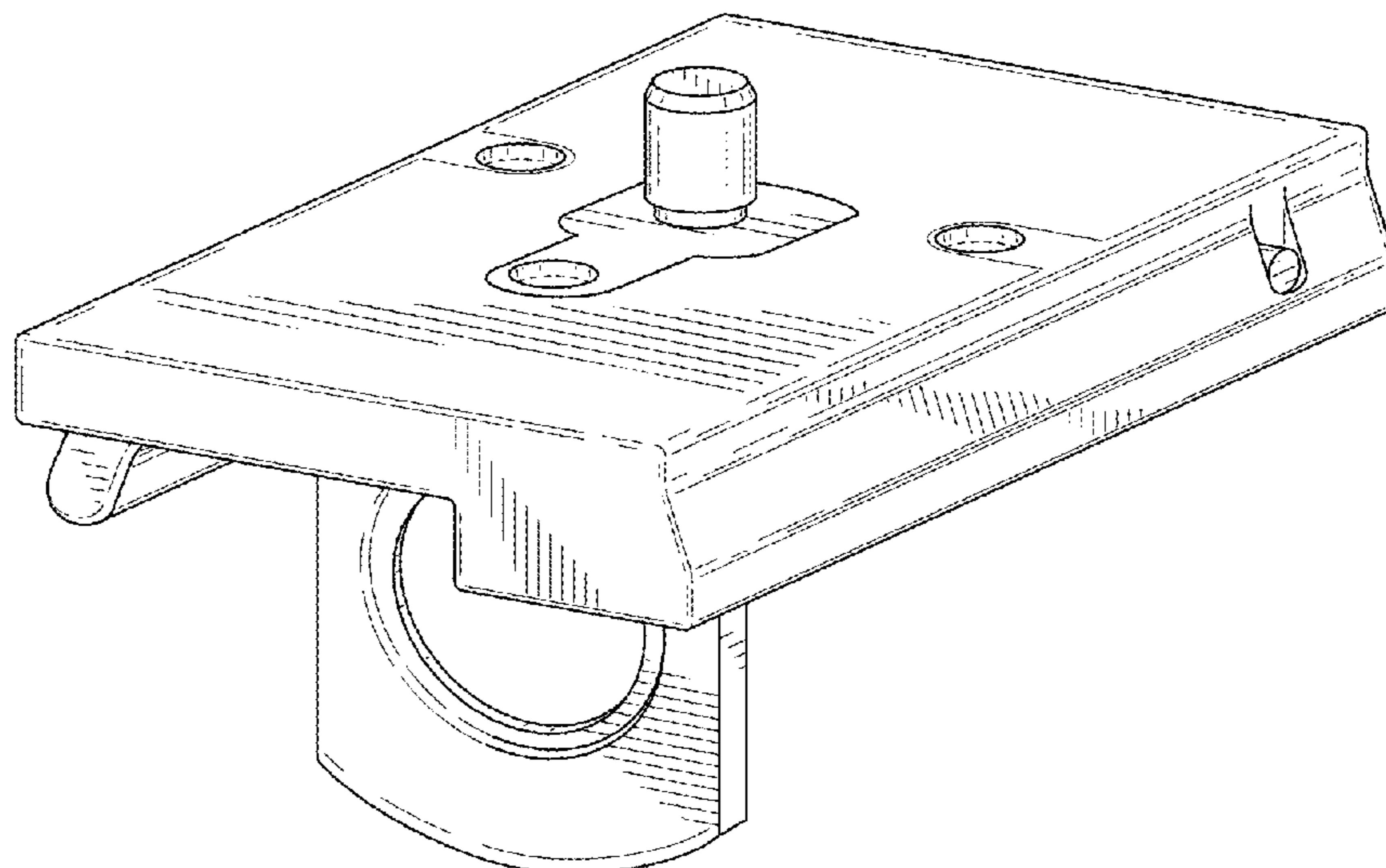
(57) **CLAIM**

The ornamental design for a camera mounting plate with deployable attachment point, as shown and described.

DESCRIPTION

FIG. 1 is an isometric view of a new design for a camera mounting plate with deployable attachment point; FIG. 2 is a top plan view thereof; FIG. 3 is a bottom view thereof; FIG. 4 is a rear side view thereof; FIG. 5 is a front side view thereof; FIG. 6 is a right side view thereof; FIG. 7 is a left side view thereof; FIG. 8 is an isometric view thereof, with the attachment point deployed; FIG. 9 is a bottom plan view thereof, with the attachment point deployed; FIG. 10 is a rear view thereof, with the attachment point deployed; FIG. 11 is a left front side view thereof, with the attachment point deployed; FIG. 12 is a right side view thereof, with the attachment point deployed; and, FIG. 13 is a left side view thereof, with the attachment point deployed. The broken lines shown depict portions of the camera mounting plate that form no part of the claimed design.

1 Claim, 8 Drawing Sheets



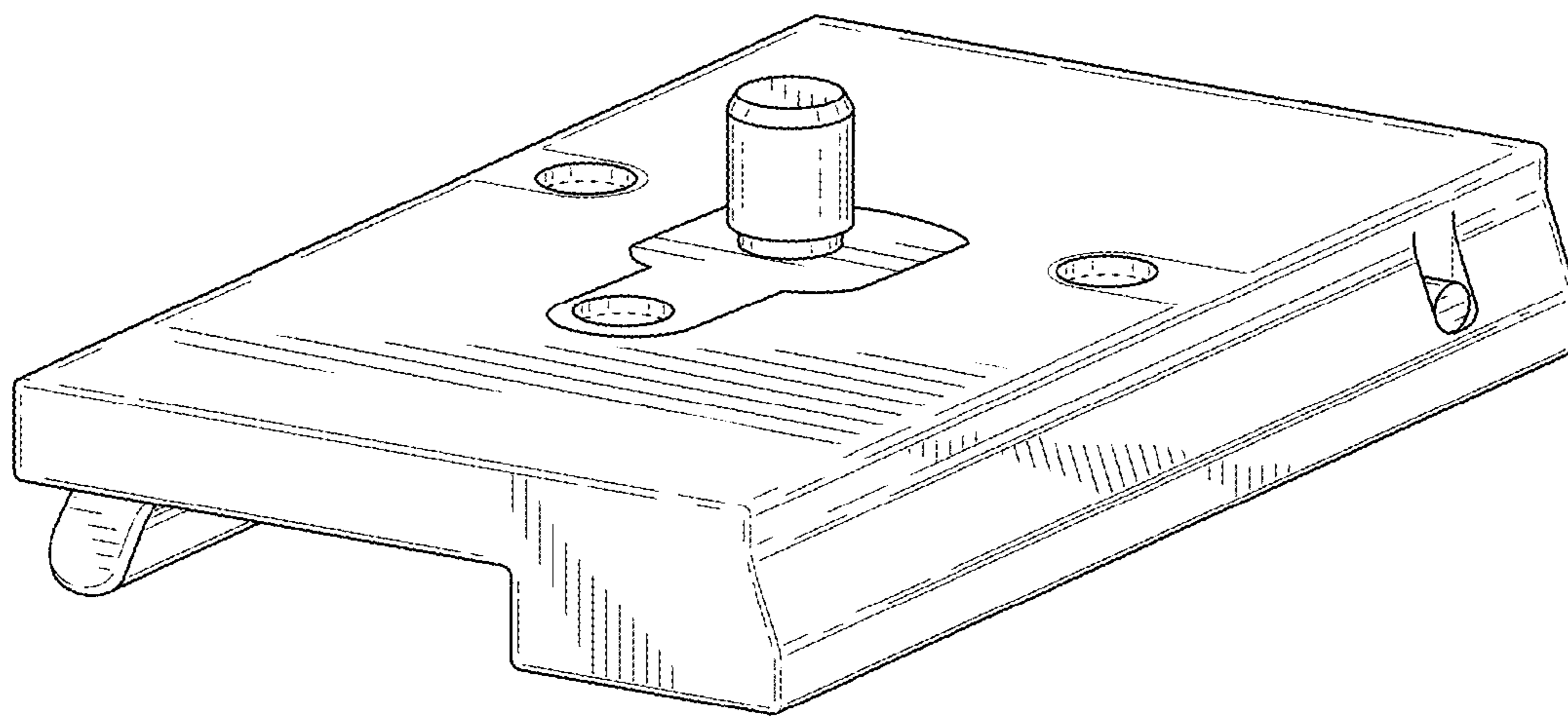


FIG. 1

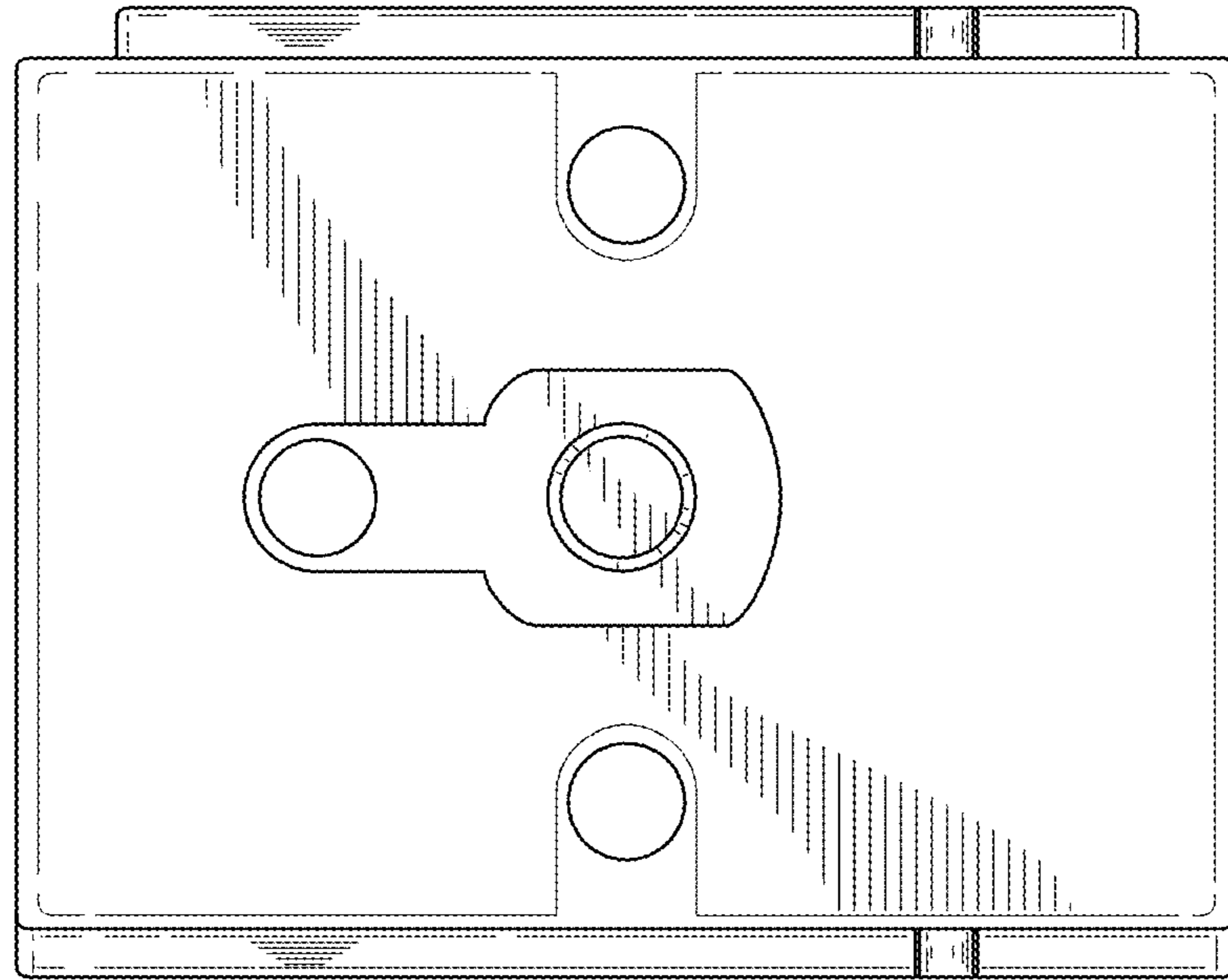


FIG. 2

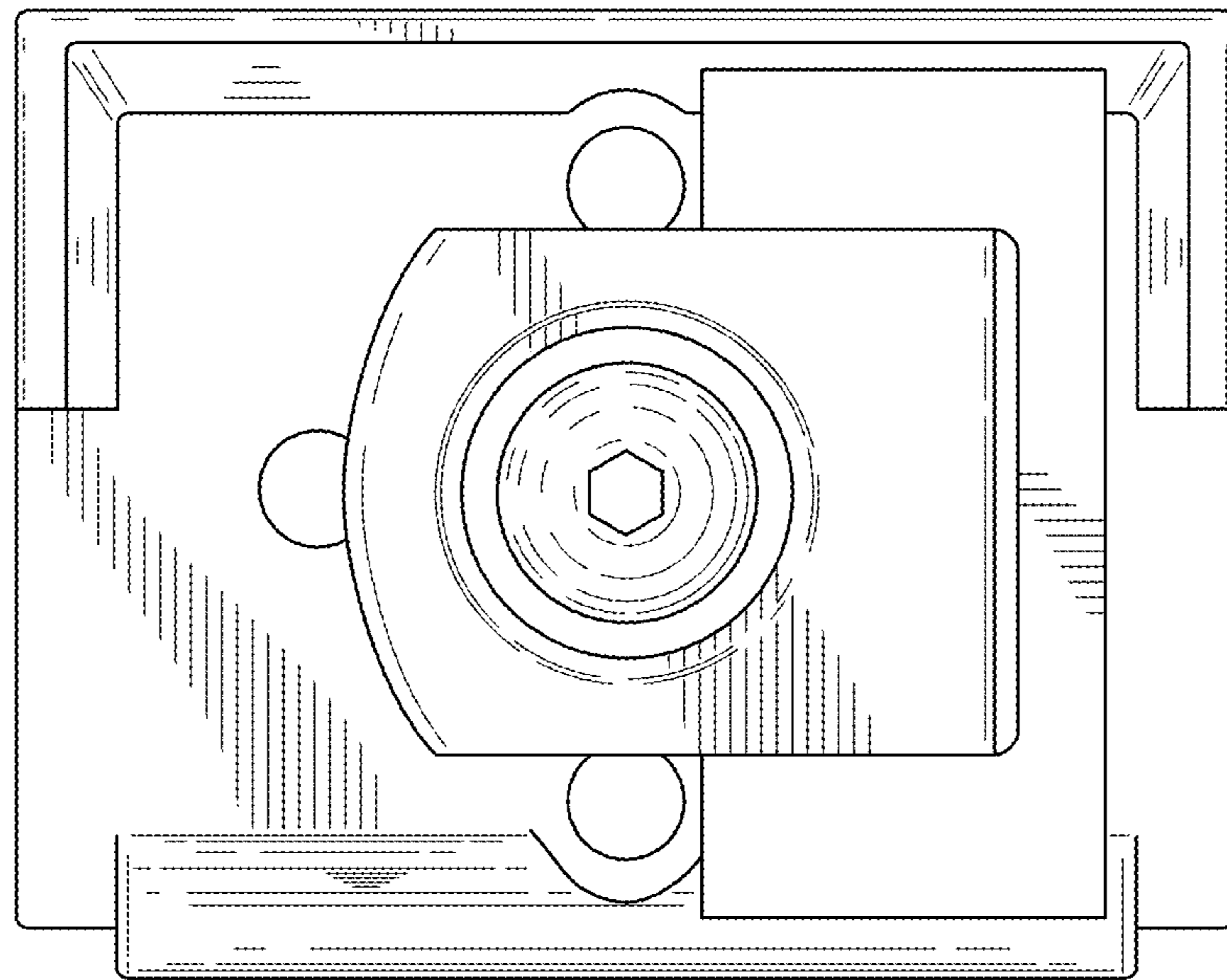


FIG. 3

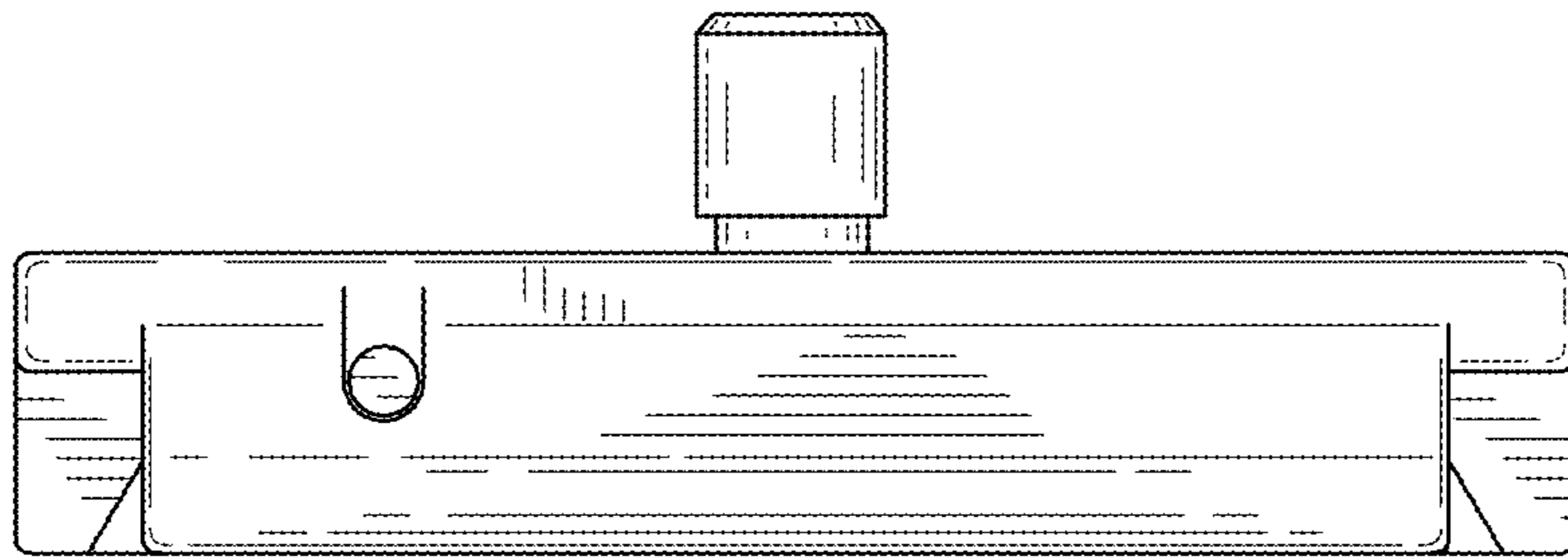


FIG. 4

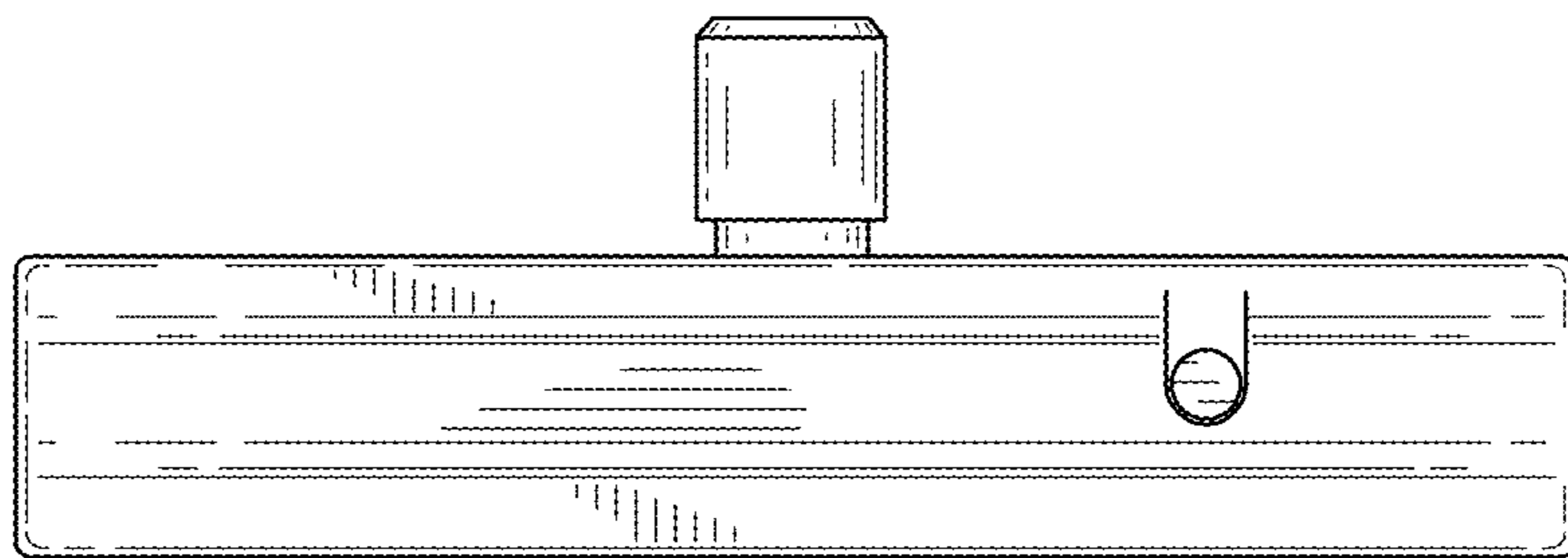


FIG. 5

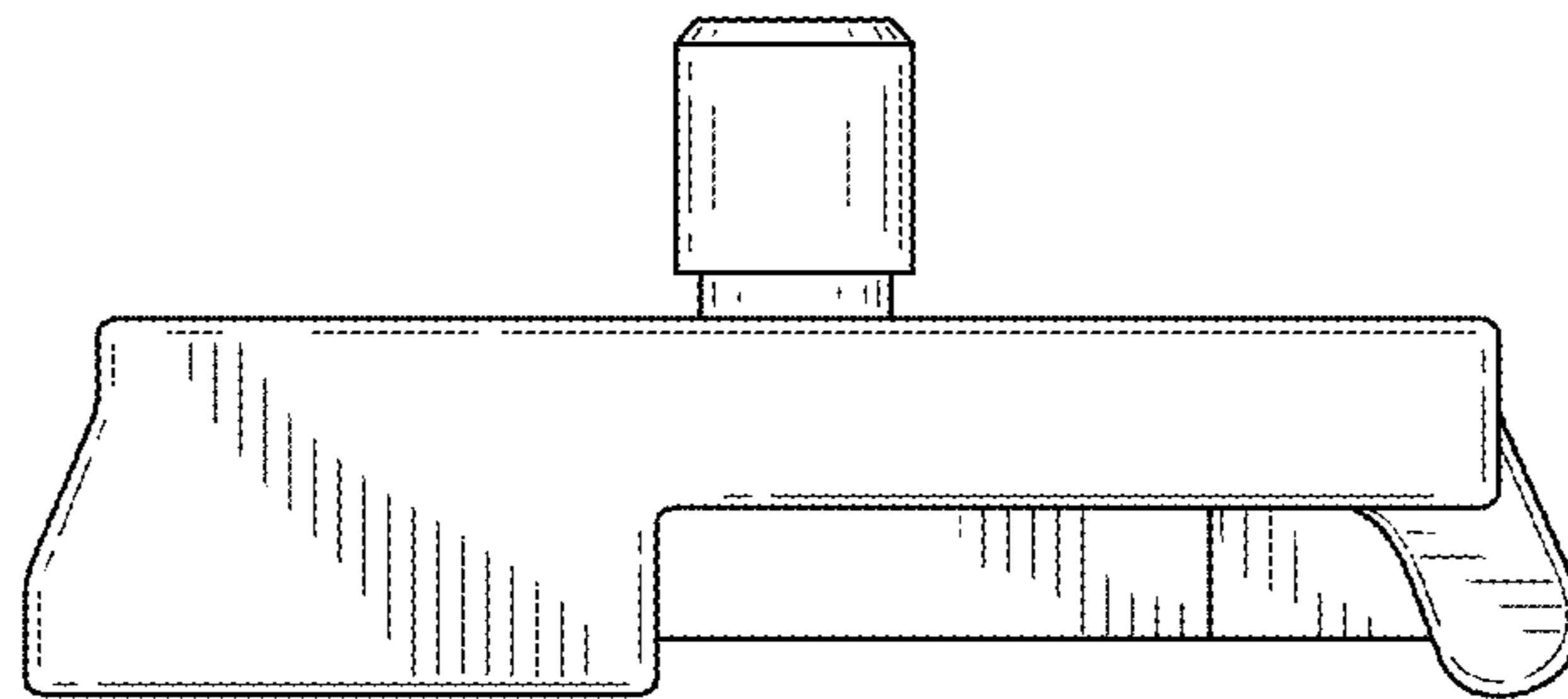


FIG. 6

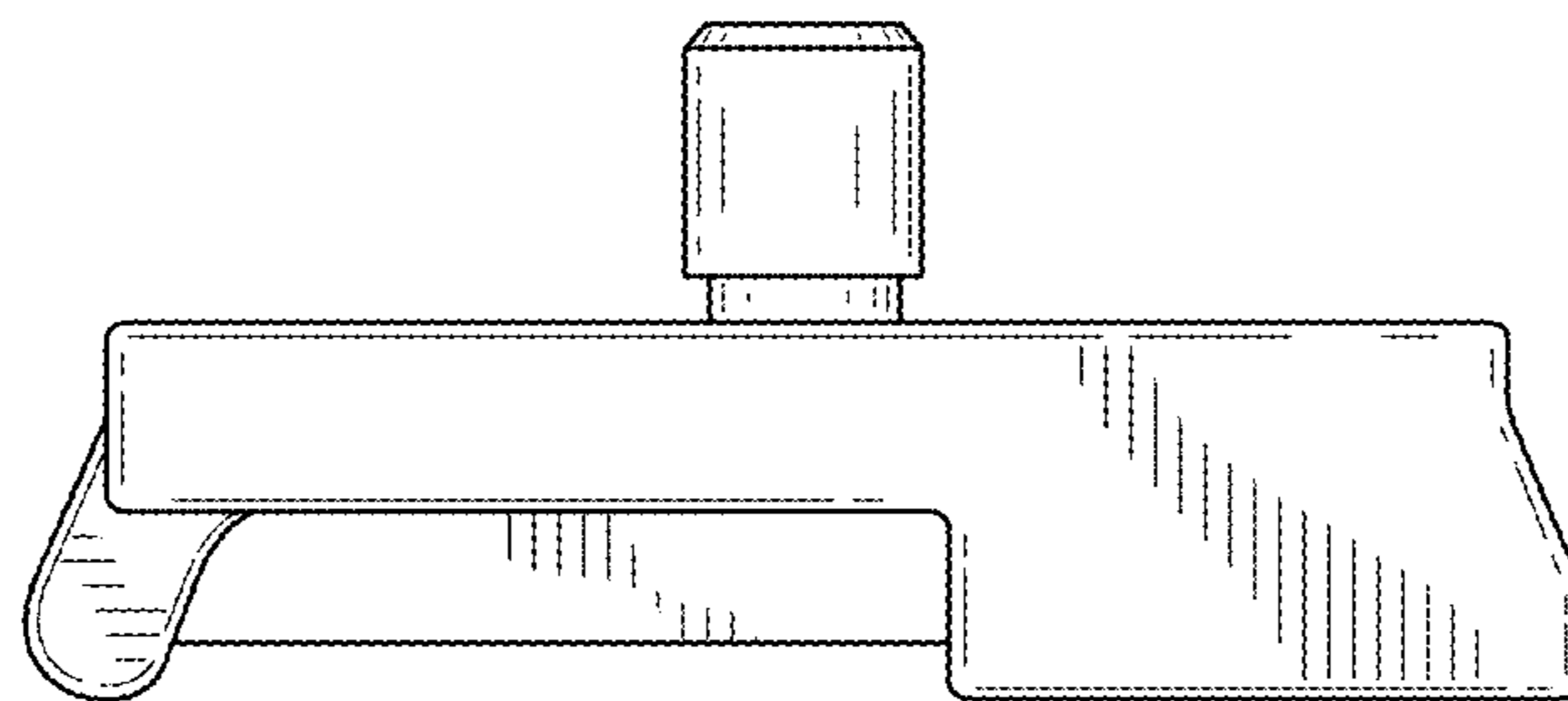


FIG. 7

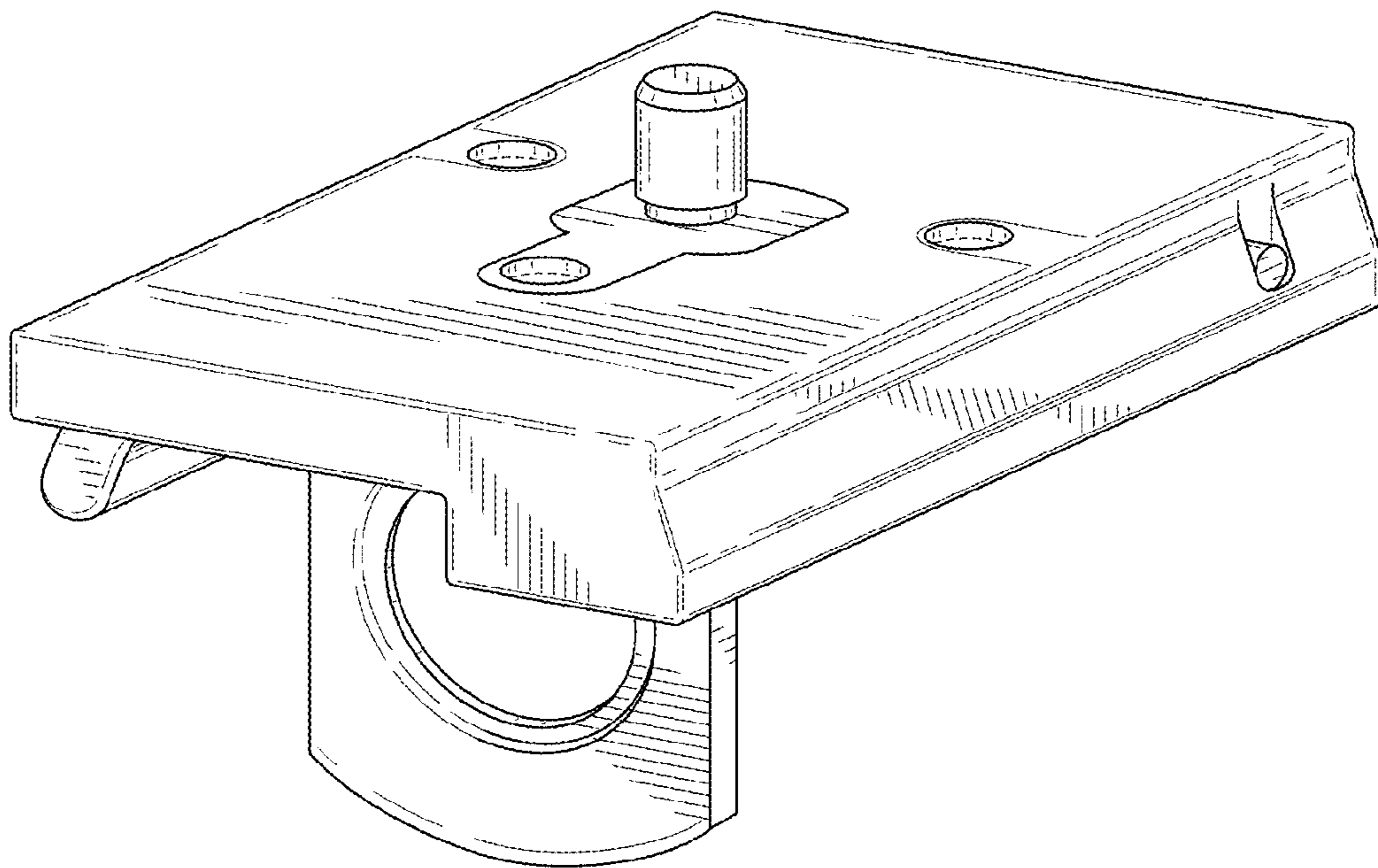


FIG. 8

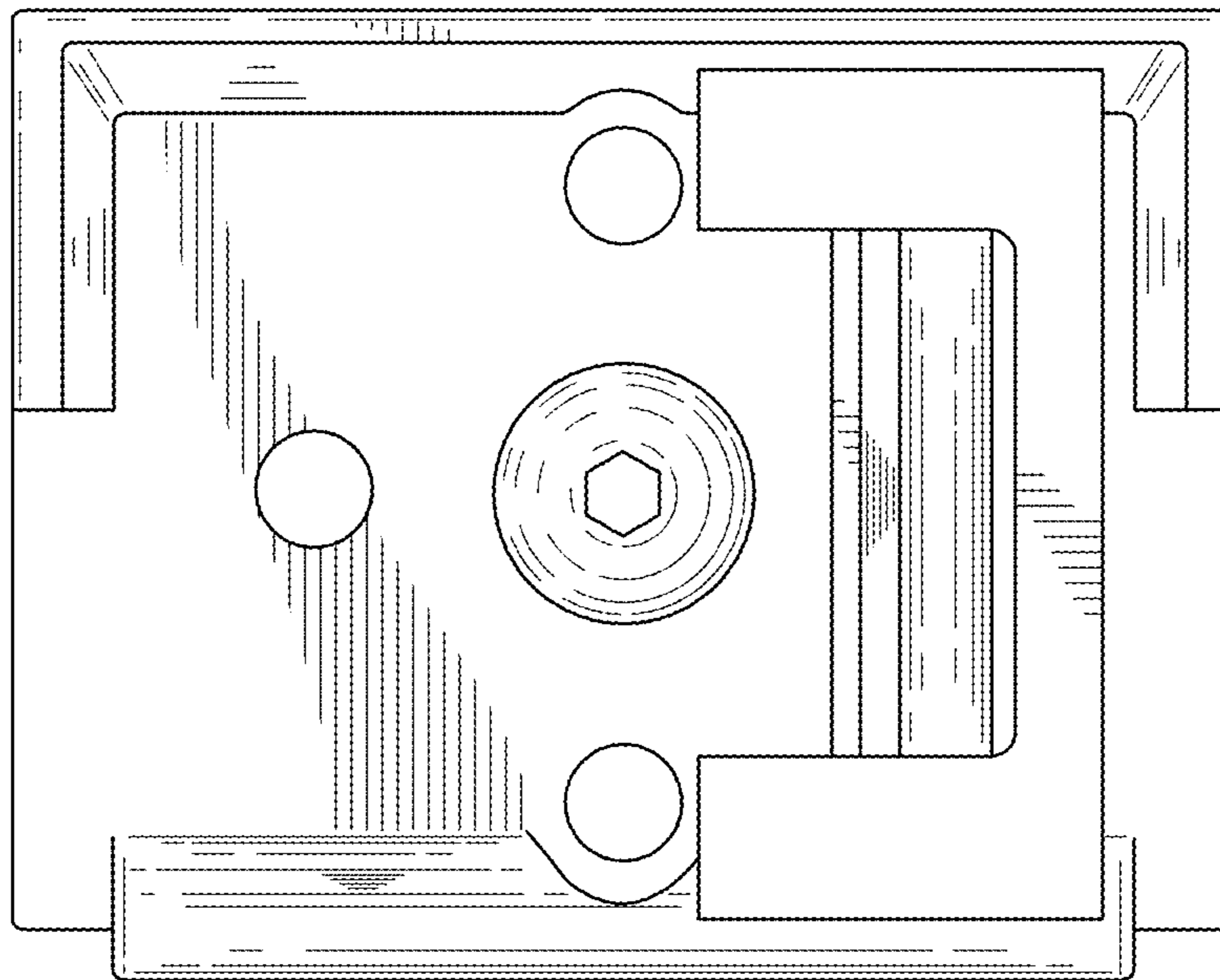
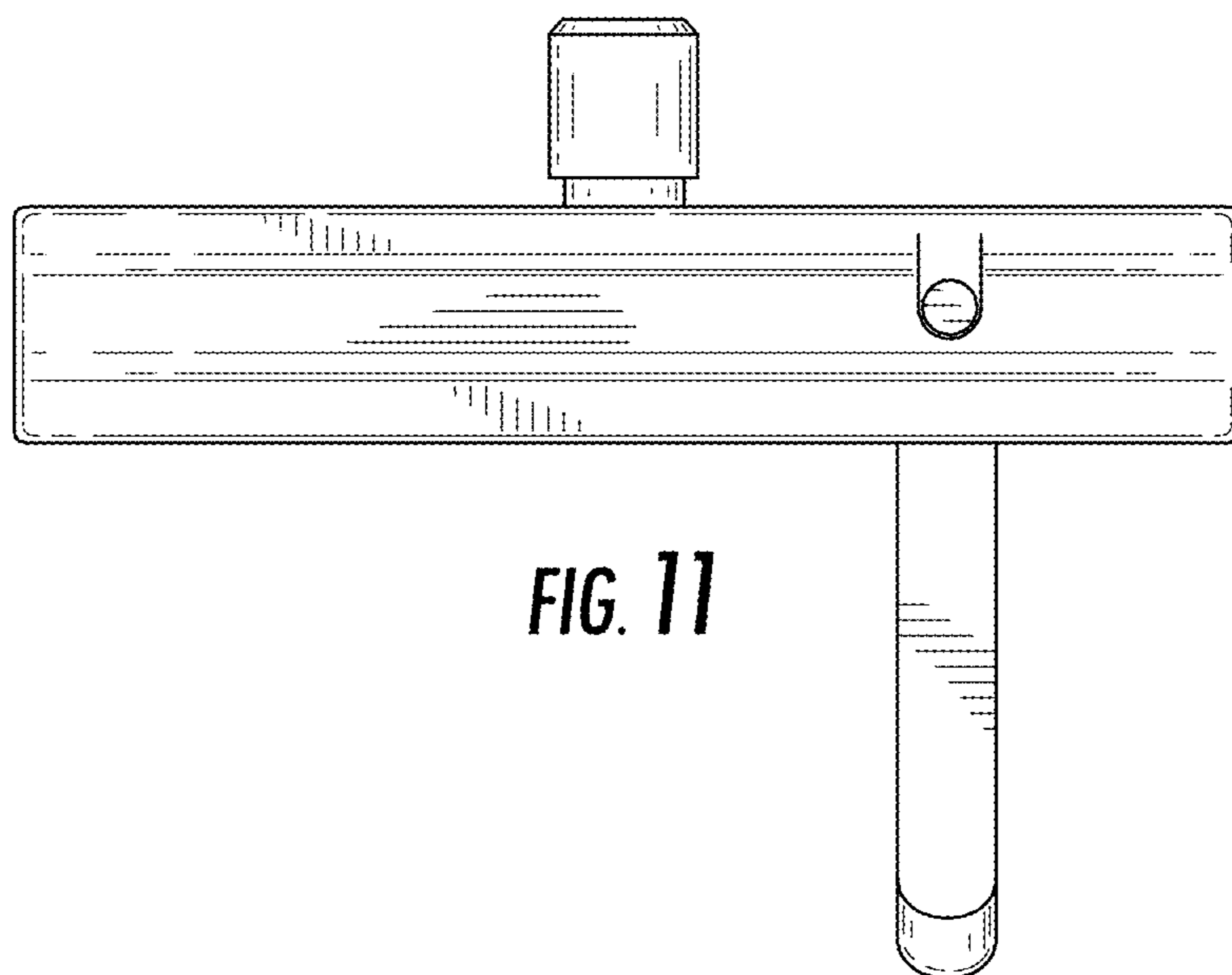
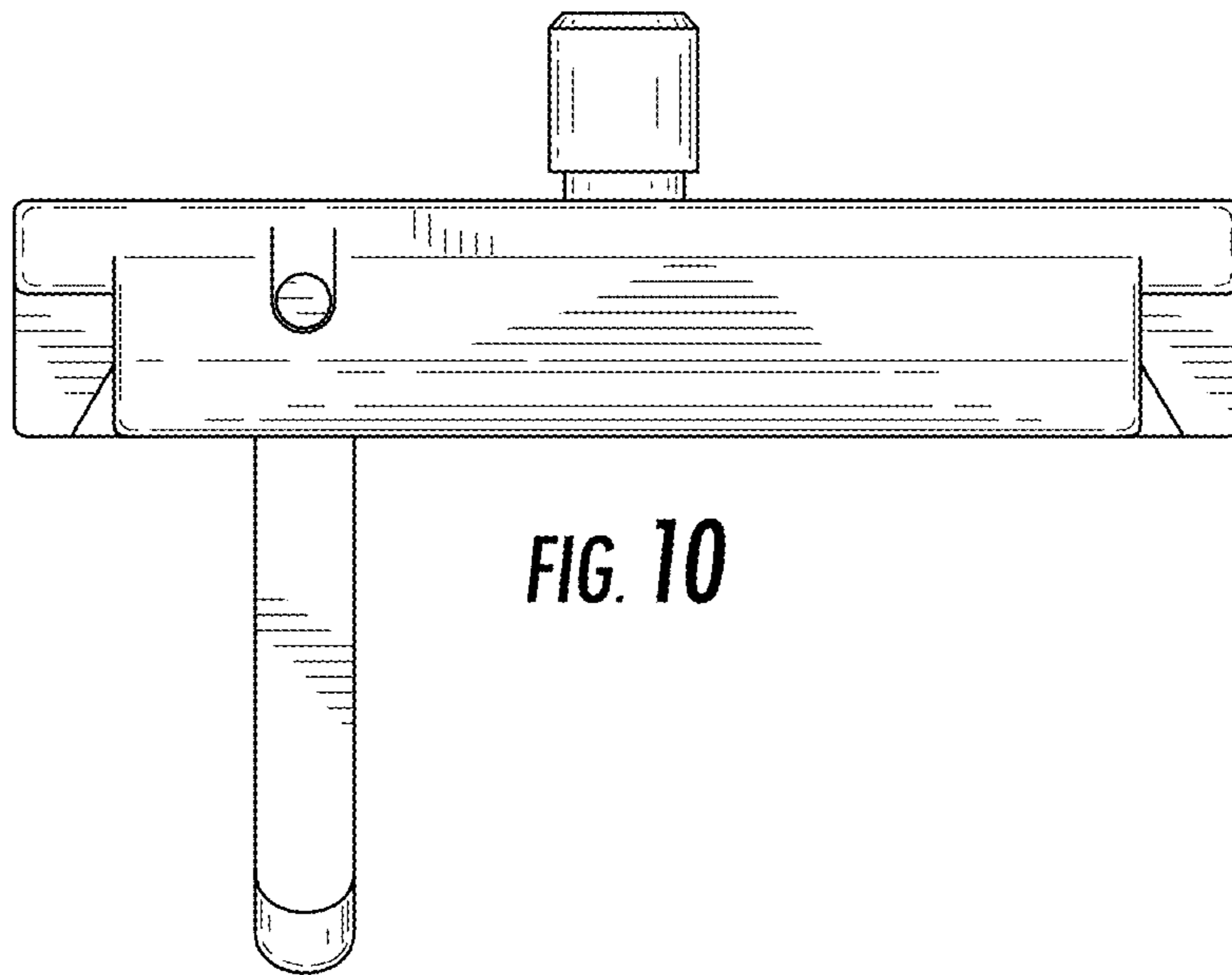


FIG. 9



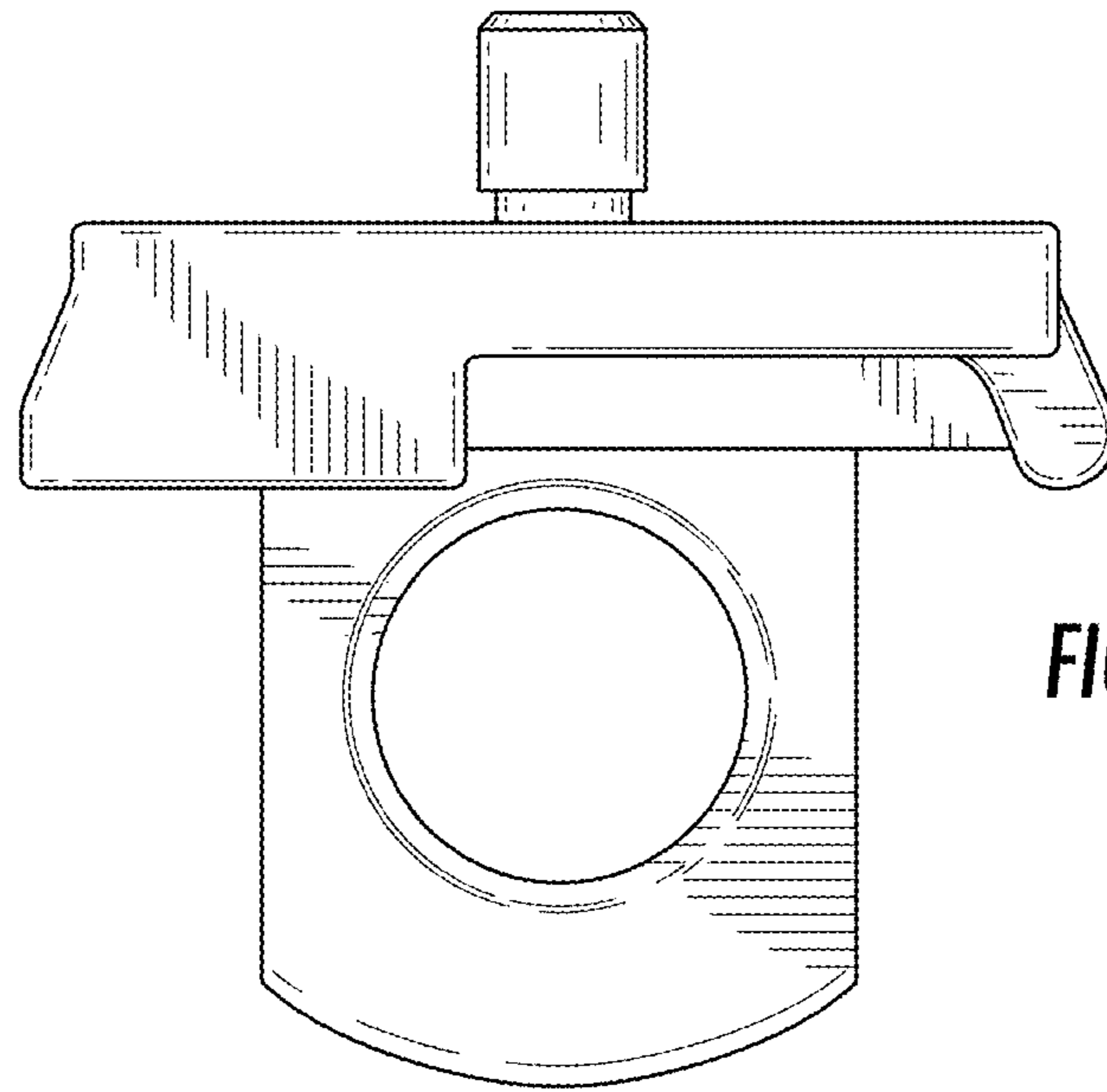


FIG. 12

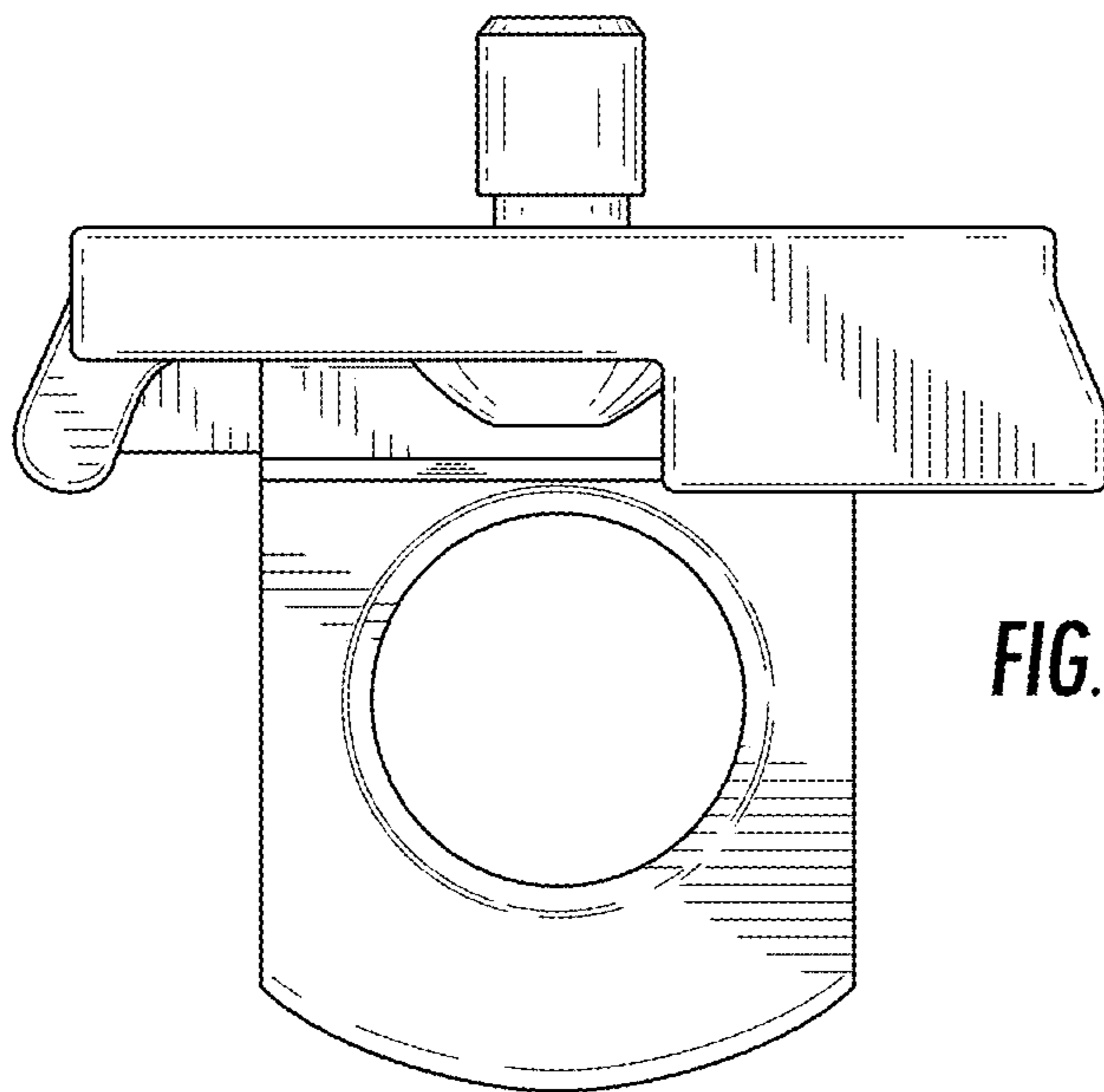


FIG. 13