



US00D752676S

(12) **United States Design Patent**
Cho et al.

(10) **Patent No.:** **US D752,676 S**
(45) **Date of Patent:** **** Mar. 29, 2016**

(54) **BEAM PROJECTOR**

(71) Applicant: **LG Electronics Inc.**, Seoul (KR)
(72) Inventors: **Yoon Young Cho**, Seoul (KR); **Young Won Jeong**, Seoul (KR)
(73) Assignee: **LG Electronics Inc.**, Seoul (KR)

(**) Term: **14 Years**
(21) Appl. No.: **29/494,042**
(22) Filed: **Jun. 17, 2014**

(30) **Foreign Application Priority Data**

Dec. 17, 2013 (KR) 30-2013-0063846

(51) **LOC (10) Cl.** **16-02**

(52) **U.S. Cl.**
USPC **D16/225**

(58) **Field of Classification Search**
USPC D16/205, 221, 225, 229, 230–231, 234,
D16/214, 232; D21/514; D26/68; D25/126,
D25/133; 353/115, 119, 122; D27/107
CPC G03B 21/145; G03B 21/132; G03B 21/30;
G03B 21/58; G03B 21/001

See application file for complete search history.

(56) **References Cited**

U.S. PATENT DOCUMENTS

D225,769	S	*	1/1973	Harris, Jr.	D25/133
D508,571	S	*	8/2005	Weiser et al.	D25/133
D518,081	S	*	3/2006	Peard et al.	D16/225
D554,685	S	*	11/2007	Ishikawa	D16/221
2012/0262682	A1	*	10/2012	Chuang et al.	353/119

* cited by examiner

Primary Examiner — Wan Laymon

(74) *Attorney, Agent, or Firm* — Morgan, Lewis & Bockius LLP

(57) **CLAIM**

We claim the ornamental design for a beam projector, as shown and described.

DESCRIPTION

FIG. 1 is a perspective view of a beam projector showing the new design:

FIG. 2 is a front elevation view thereof;

FIG. 3 is a rear elevation view thereof;

FIG. 4 is a left-side elevation view thereof;

FIG. 5 is a right-side elevation view thereof;

FIG. 6 is a top plan view thereof;

FIG. 7 is a bottom plan view thereof; and,

FIG. 8 is a perspective view showing a main body of the beam projector being bent towards.

The broken lines shown in FIG. 7 are included for the purpose of illustrating portions of the beam projector that form no part of the claimed design.

1 Claim, 6 Drawing Sheets

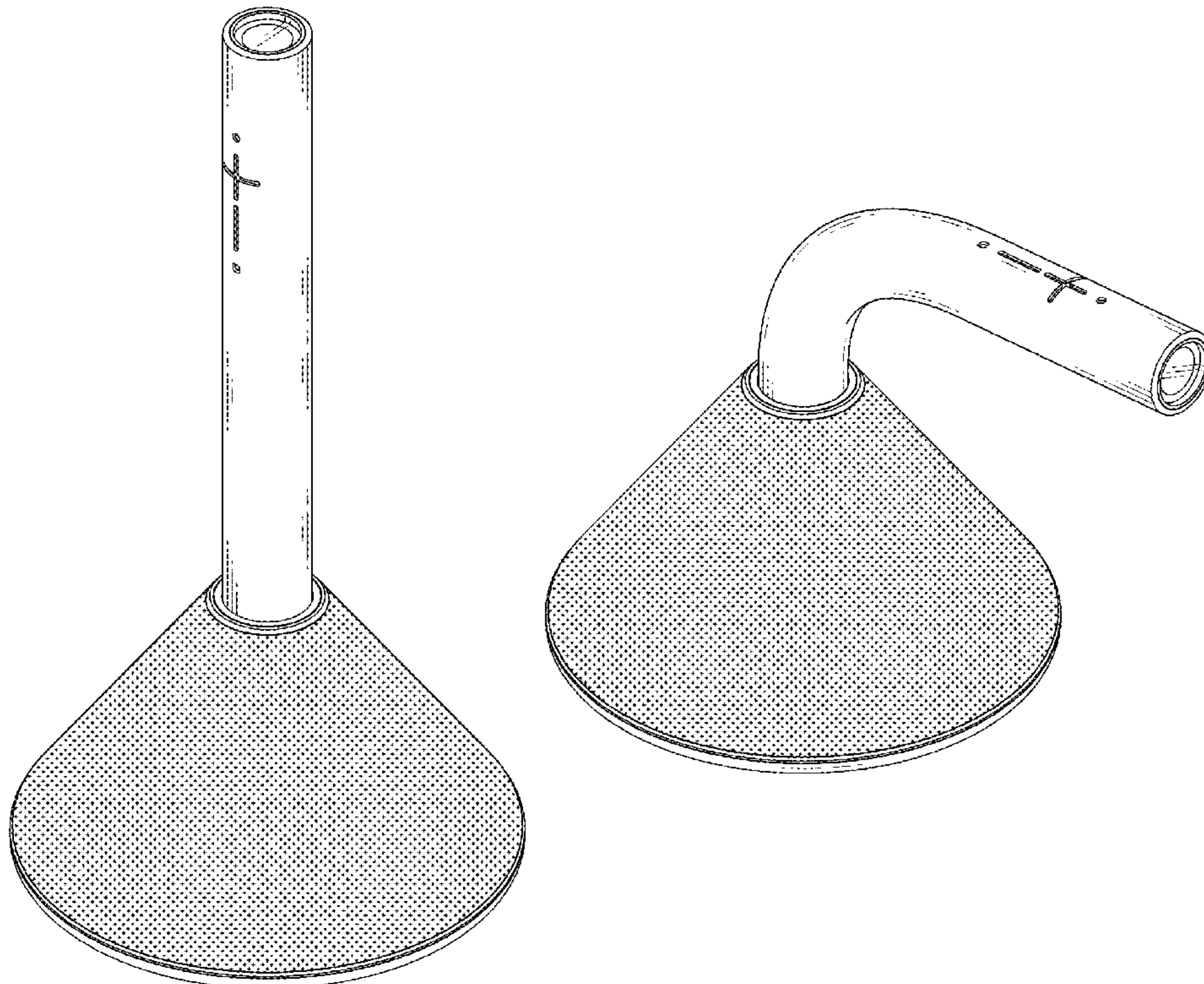


FIG. 1

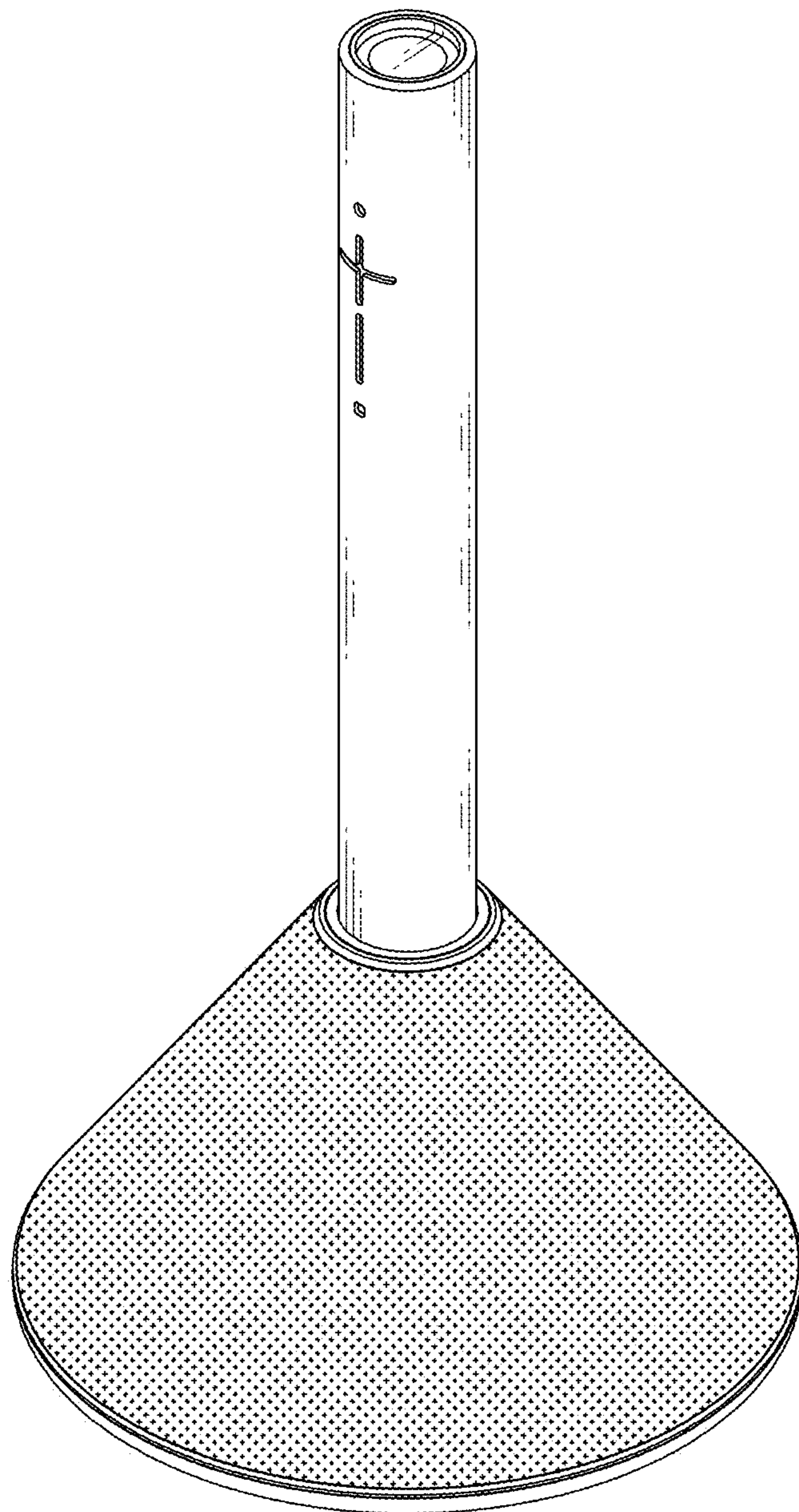


FIG. 2

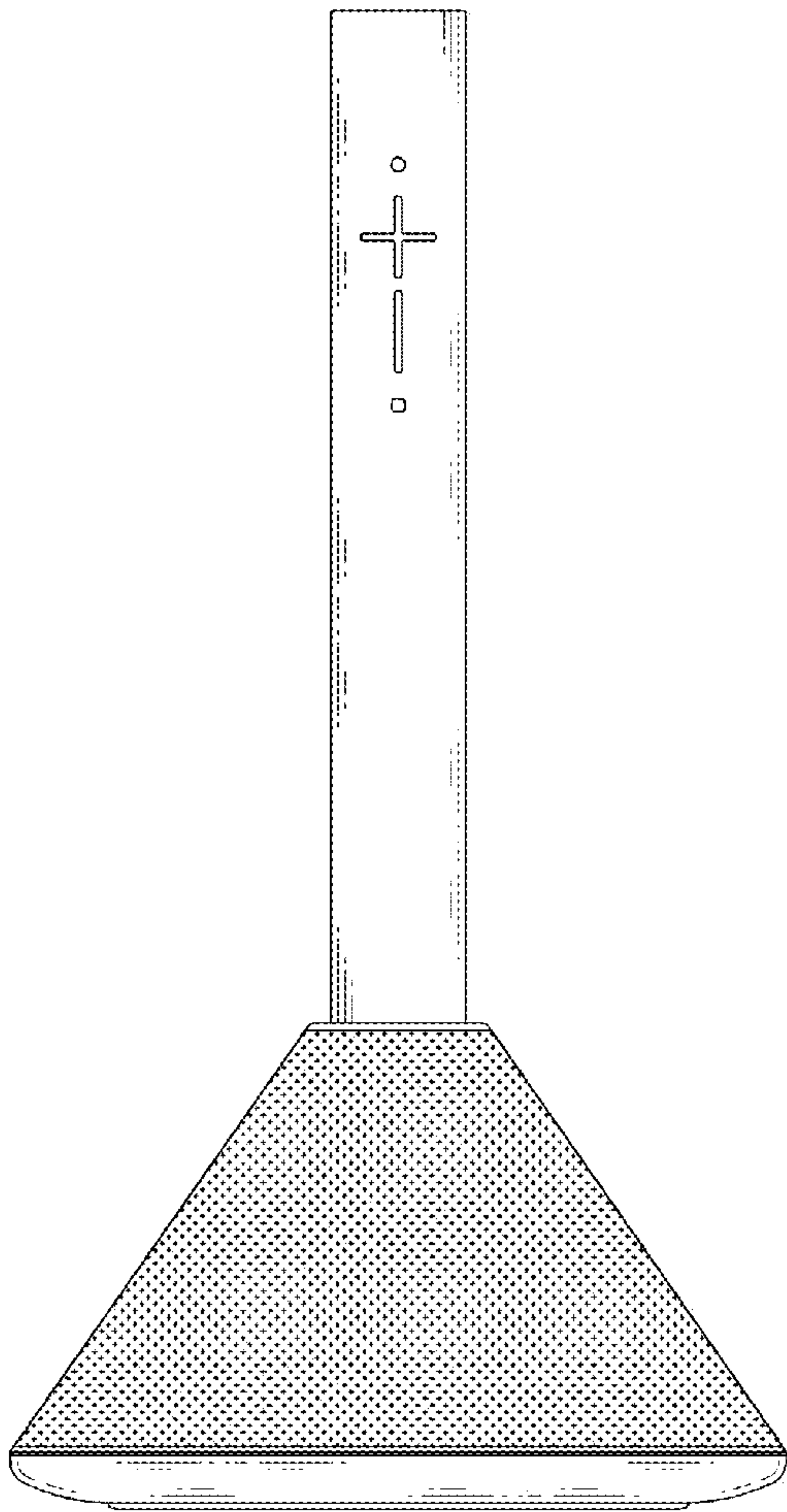


FIG. 3

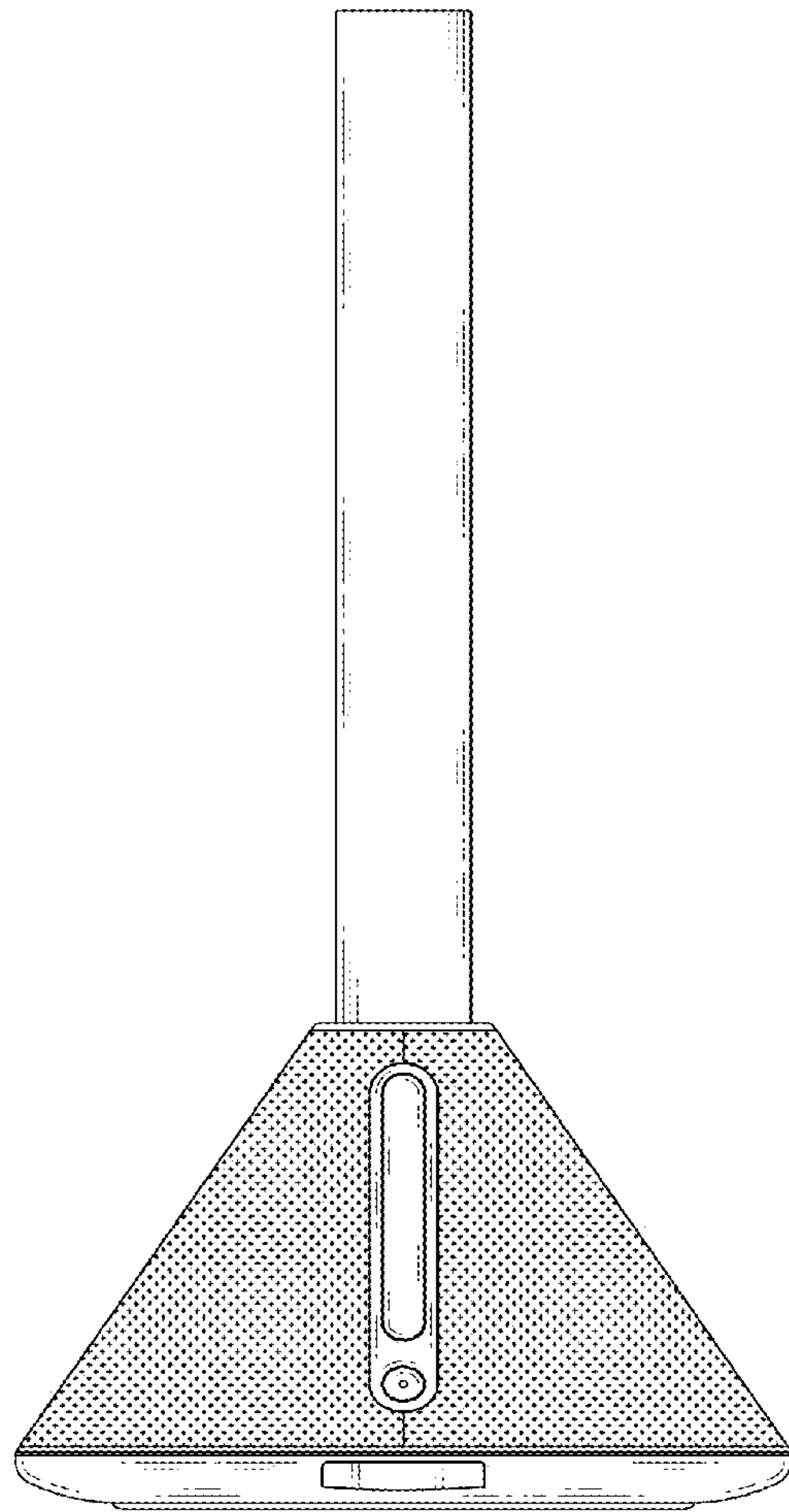


FIG. 4

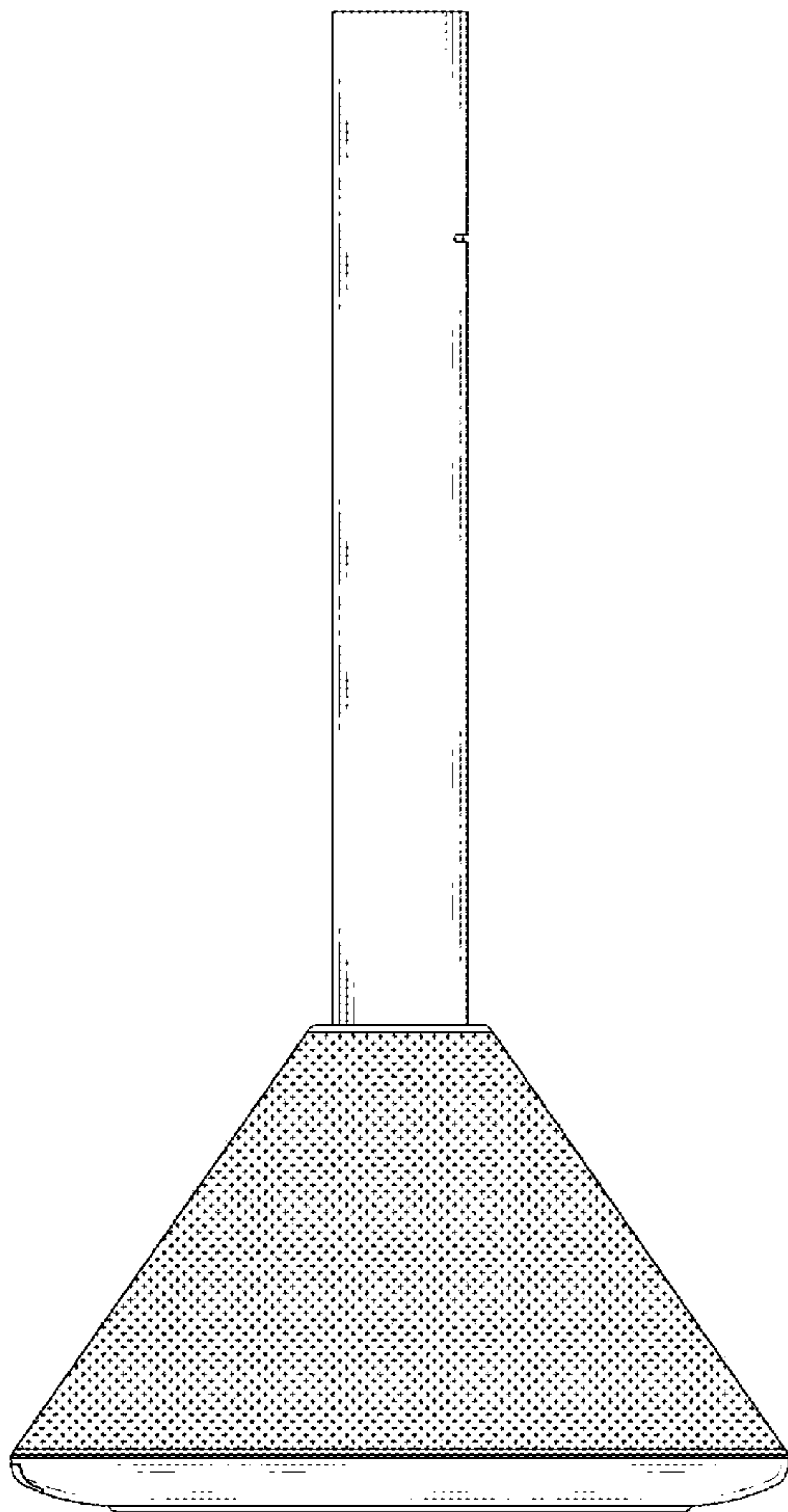


FIG. 5

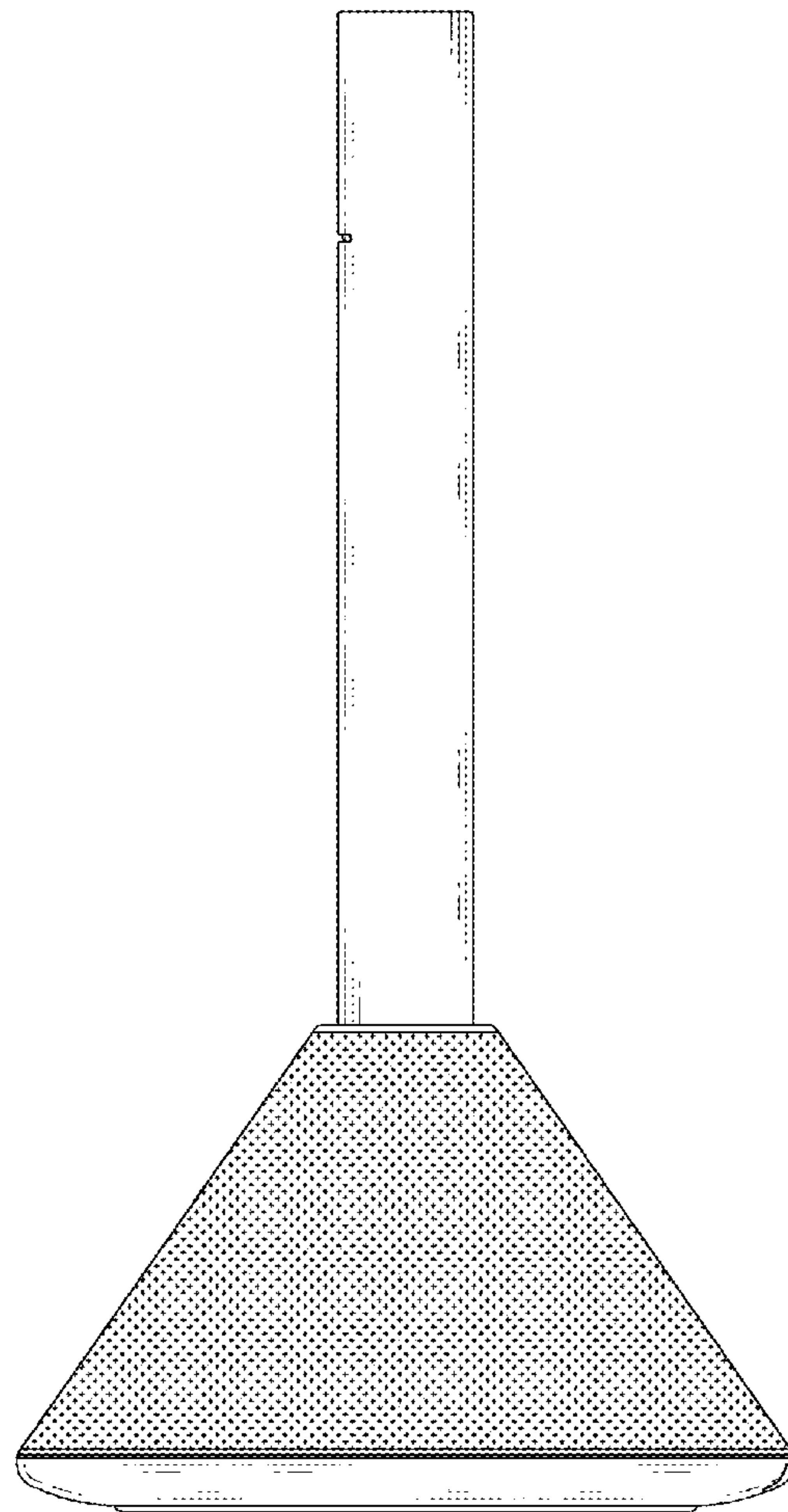


FIG. 6

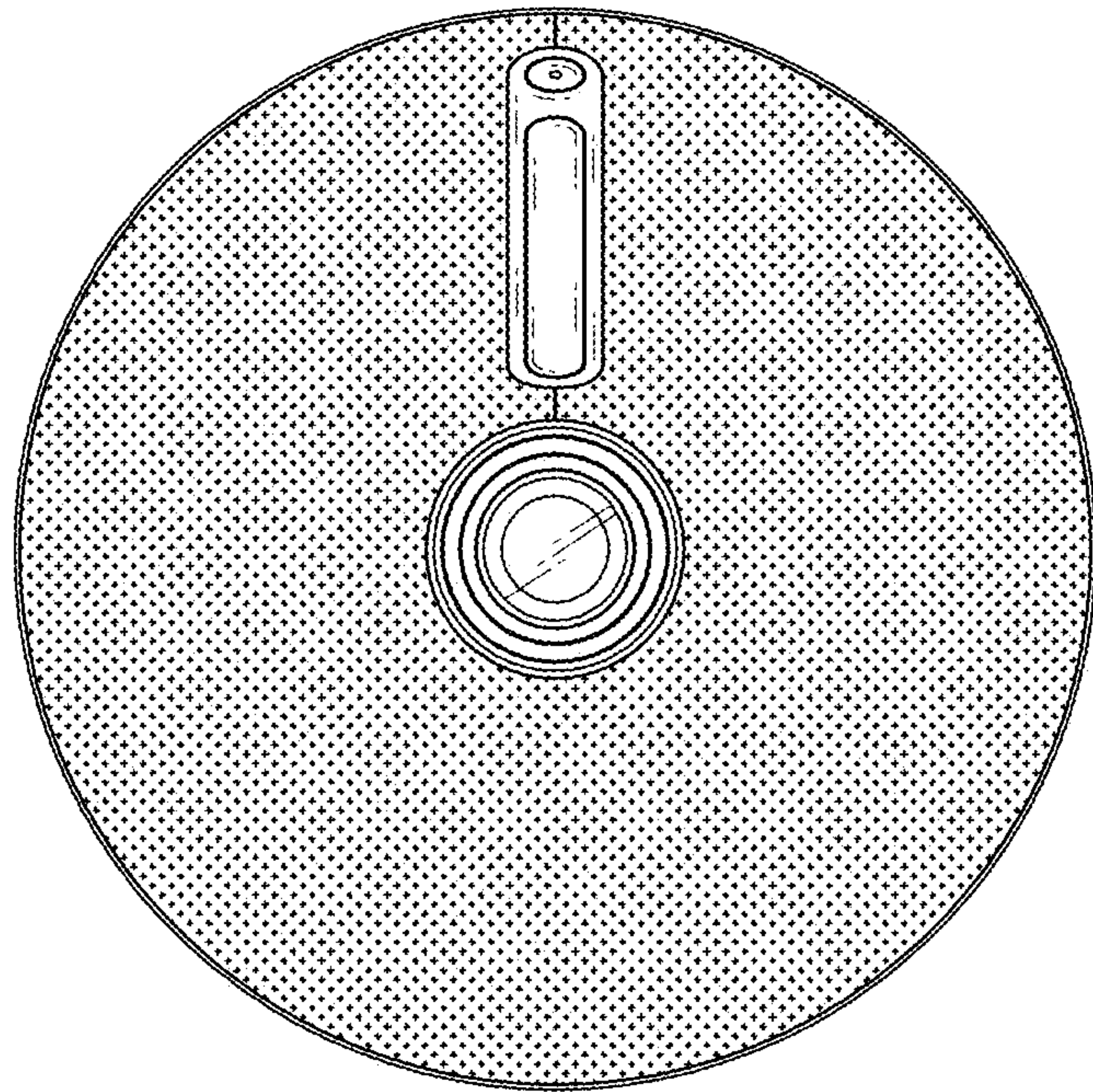


FIG. 7

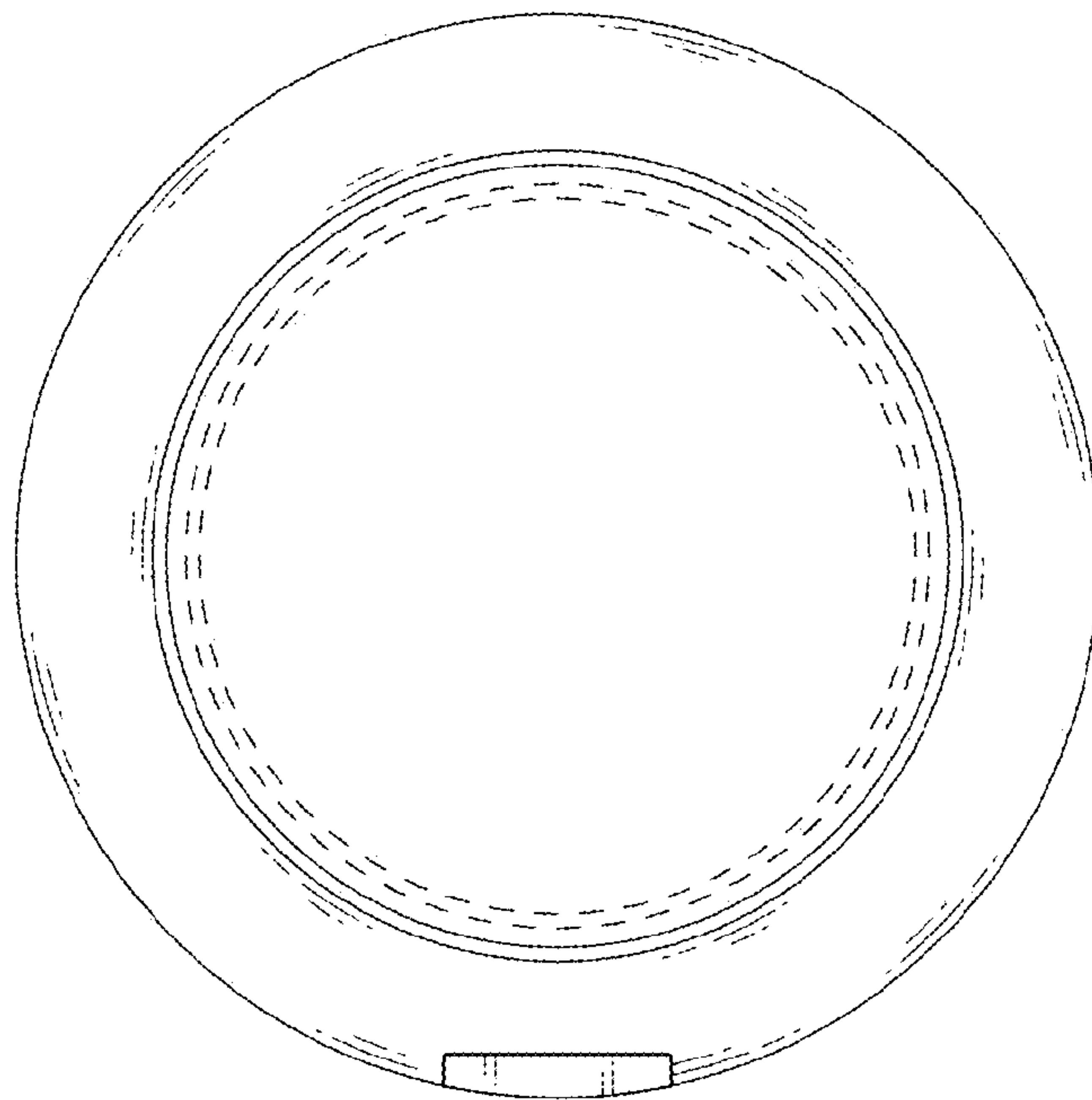


FIG. 8

