



US00D752675S

(12) **United States Design Patent**
Ravat

(10) **Patent No.:** **US D752,675 S**
(45) **Date of Patent:** **** Mar. 29, 2016**

(54) **CAMERA**

(71) Applicant: **Amcrest Global Holdings Limited,**
Dublin (IE)

(72) Inventor: **Abdurahman Ravat,** Houston, TX (US)

(73) Assignee: **Amcrest Global Holdings Limited,**
Dublin (IE)

(**) Term: **14 Years**

(21) Appl. No.: **29/518,387**

(22) Filed: **Feb. 23, 2015**

(51) **LOC (10) Cl.** **16-01**

(52) **U.S. Cl.**
USPC **D16/203**

(58) **Field of Classification Search**
USPC D16/200, 202, 203, 208, 218; 348/143,
348/373-376; 396/427, 535, 539-541
CPC G03B 13/196; G03B 13/19632; H04N
5/2251; H04N 5/2252; H04N 5/2253; H04N
5/2254

See application file for complete search history.

(56) **References Cited**

U.S. PATENT DOCUMENTS

D517,585 S * 3/2006 Iino D16/203
7,202,904 B2 * 4/2007 Wei F16M 11/10
348/373

D550,738 S * 9/2007 Hsia D16/203
D555,692 S * 11/2007 Liu D16/202
D558,249 S * 12/2007 Hsia D16/203
D583,845 S * 12/2008 Hayashi D16/203
D637,173 S * 5/2011 Elkerbout D14/159
D719,202 S * 12/2014 Lee D16/202
D728,654 S * 5/2015 Lee D16/202
D730,966 S * 6/2015 Liu D16/202

OTHER PUBLICATIONS

Design U.S. Appl. No. 29/527,050, filed May 15, 2015, 16 pages.

* cited by examiner

Primary Examiner — Adir Aronovich

(74) *Attorney, Agent, or Firm* — The Juhasz Law Firm PC

(57) **CLAIM**

The ornamental design for a camera, as shown and described.

DESCRIPTION

FIG. 1 is a front perspective view of a camera showing my new design;

FIG. 2 is a front elevational view thereof;

FIG. 3 is a rear elevational view thereof;

FIG. 4 is a left side elevational view;

FIG. 5 is a right side elevational view;

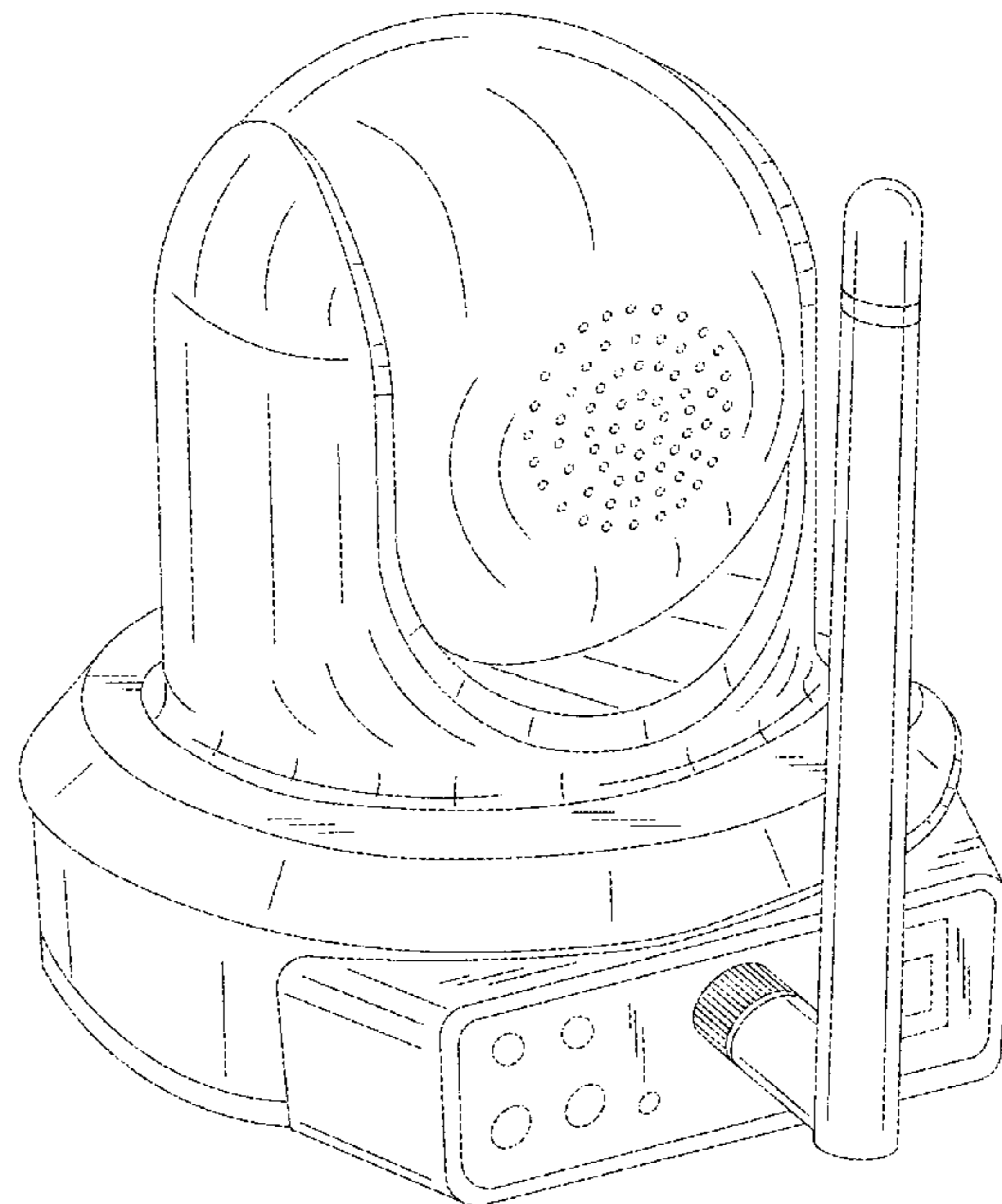
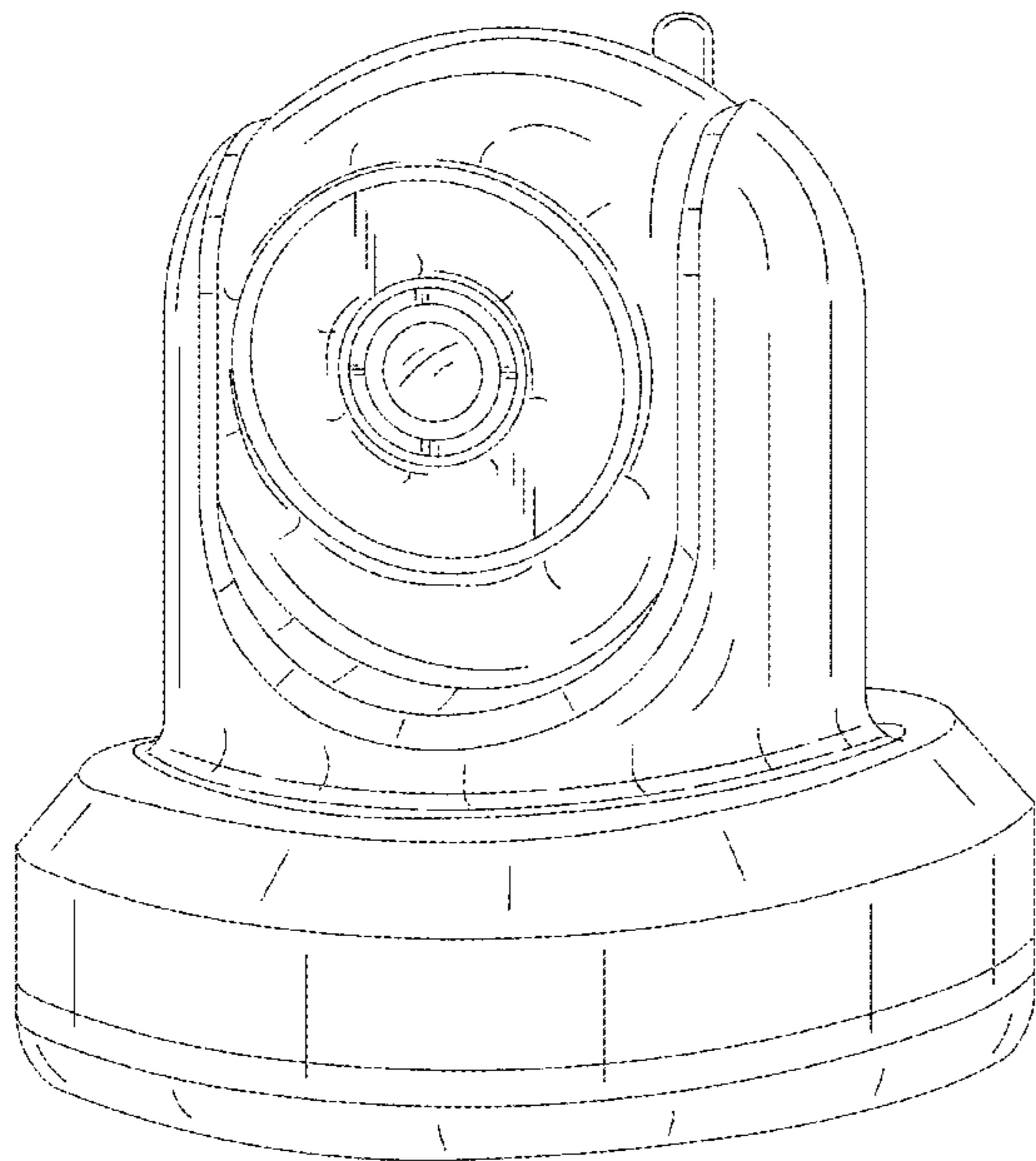
FIG. 6 is a top plan view thereof;

FIG. 7 is a bottom plan view thereof; and,

FIG. 8 is a rear perspective view thereof.

The broken lines are included for the purpose of illustrating portions of the camera and form no part of the claimed design.

1 Claim, 5 Drawing Sheets



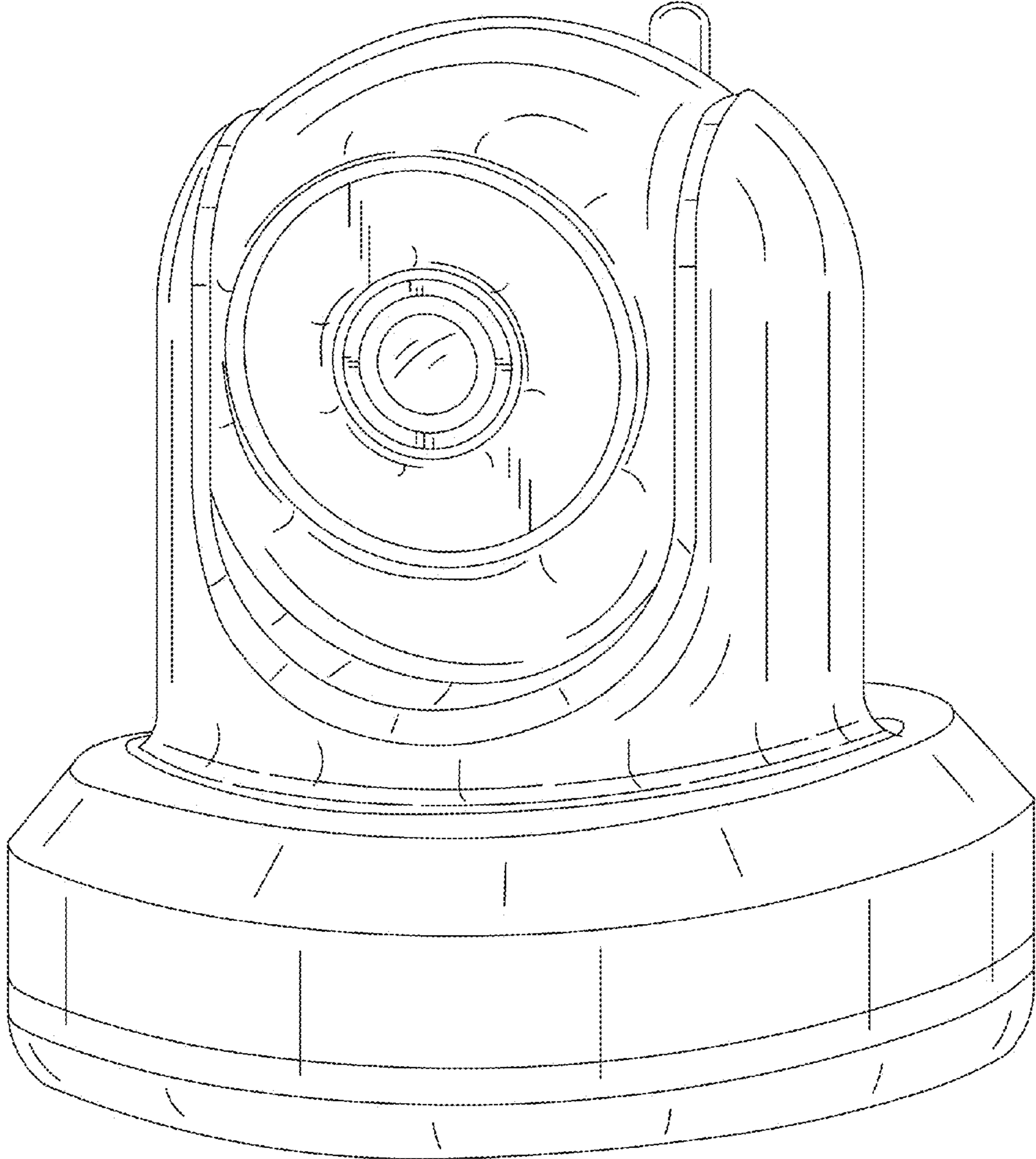


FIG. 1

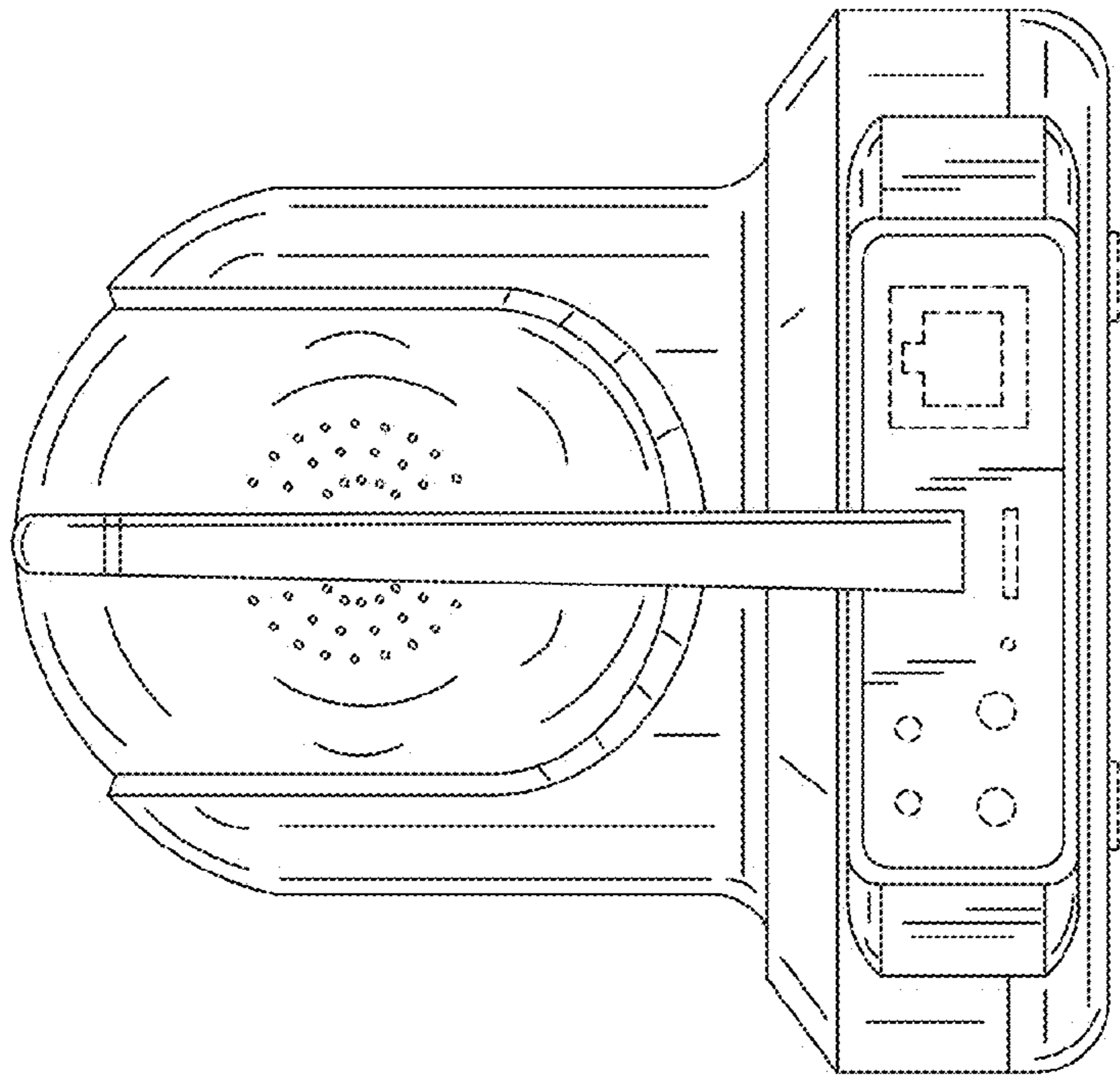


FIG. 3

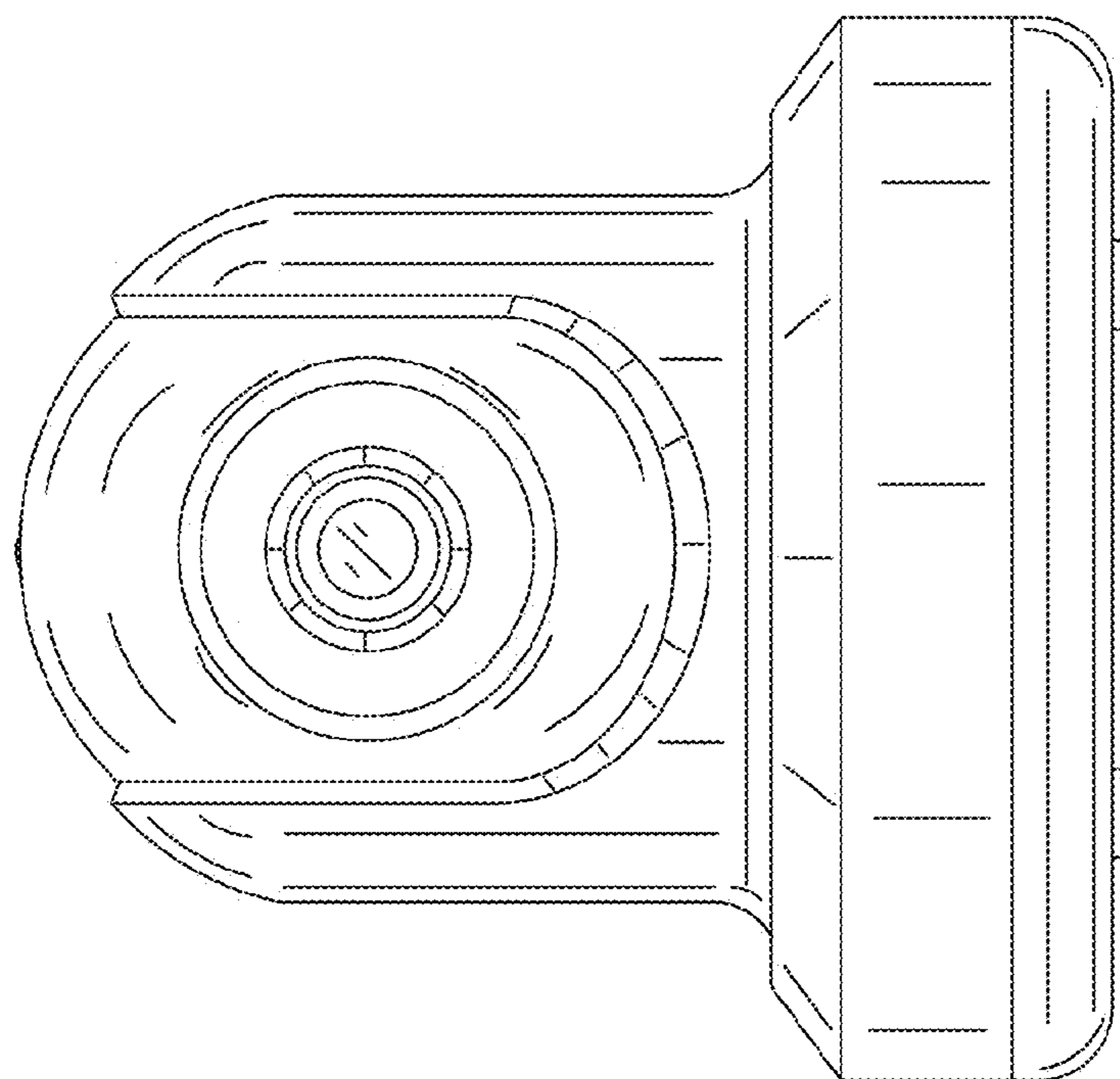


FIG. 2

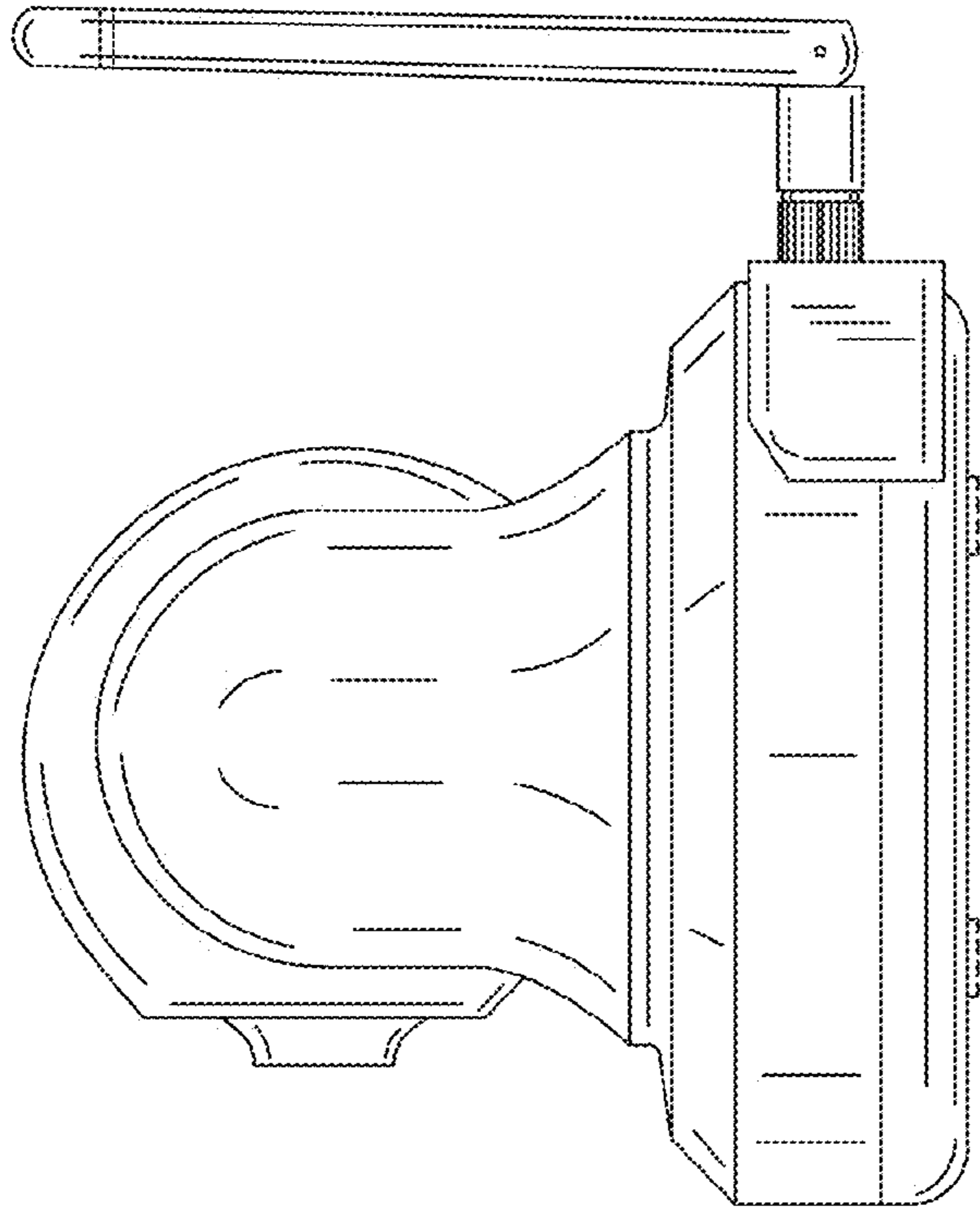


FIG. 5

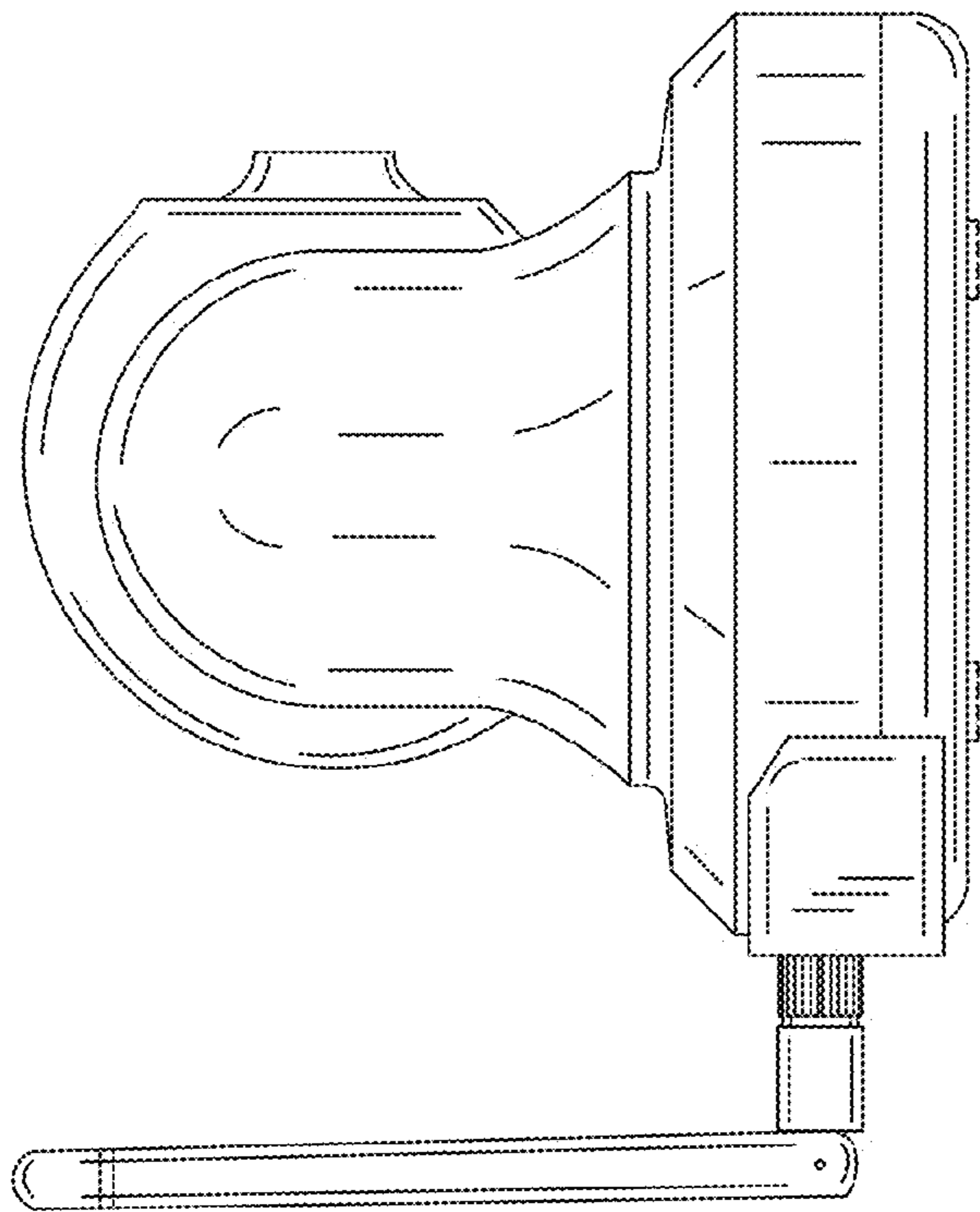


FIG. 4

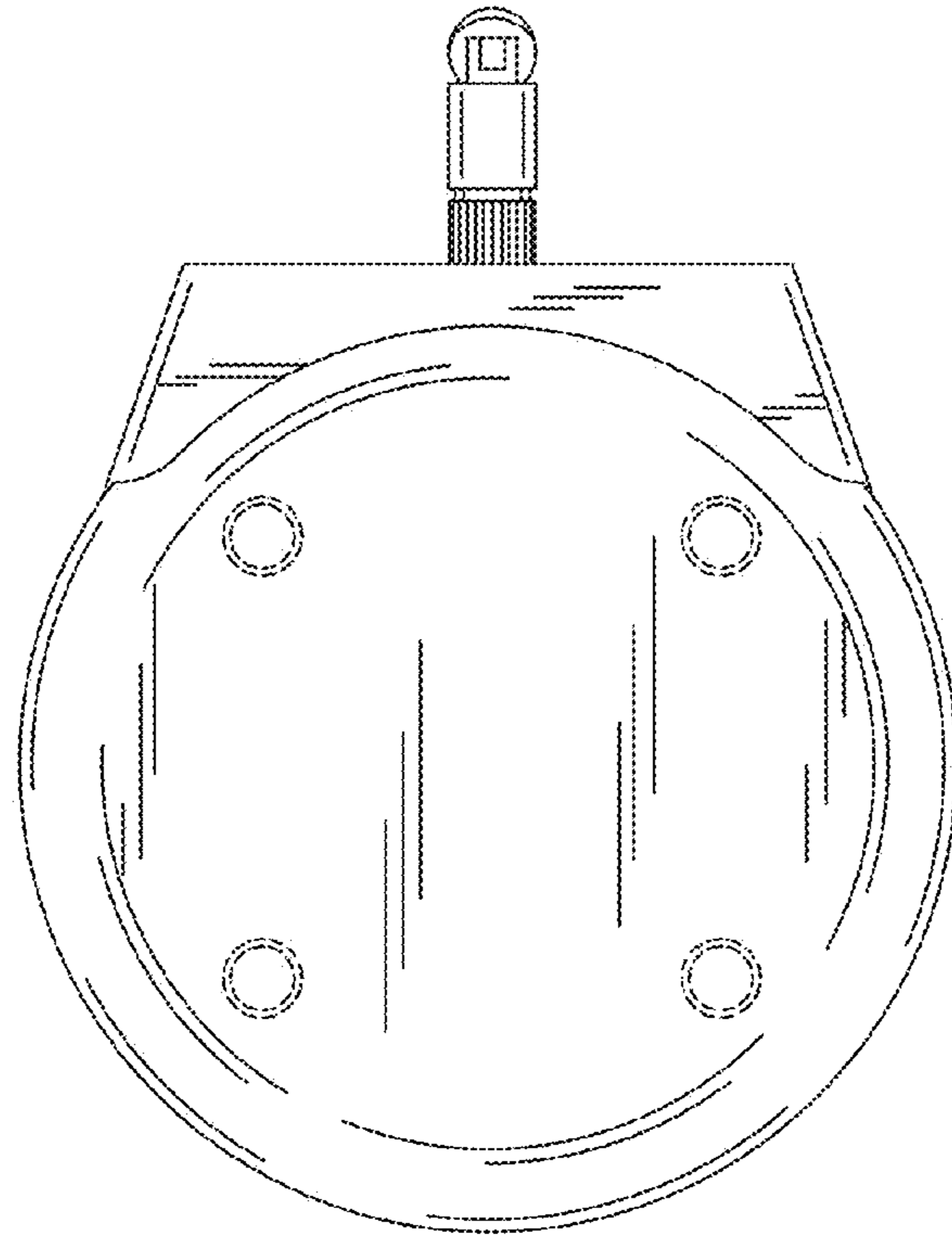


FIG. 6

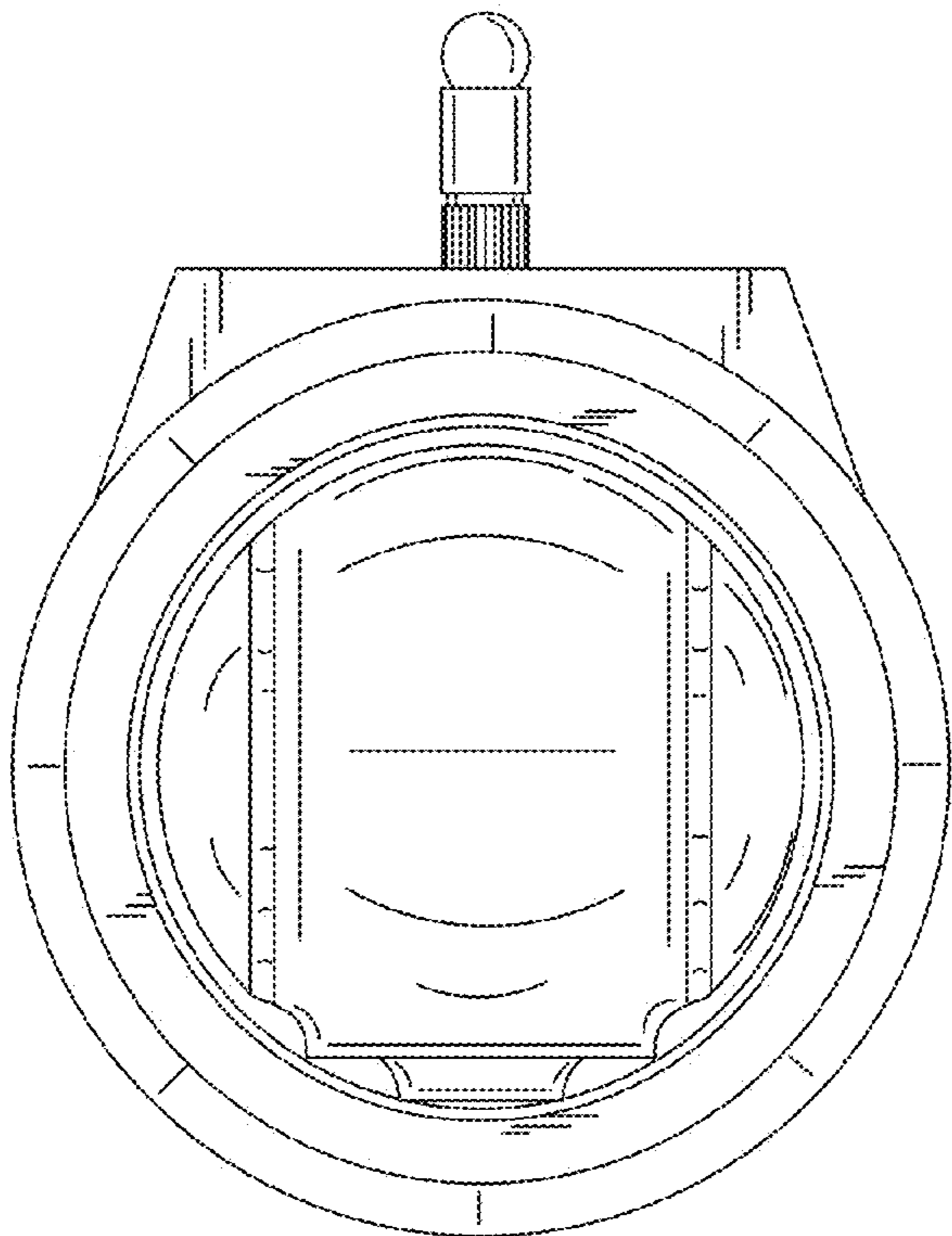


FIG. 7

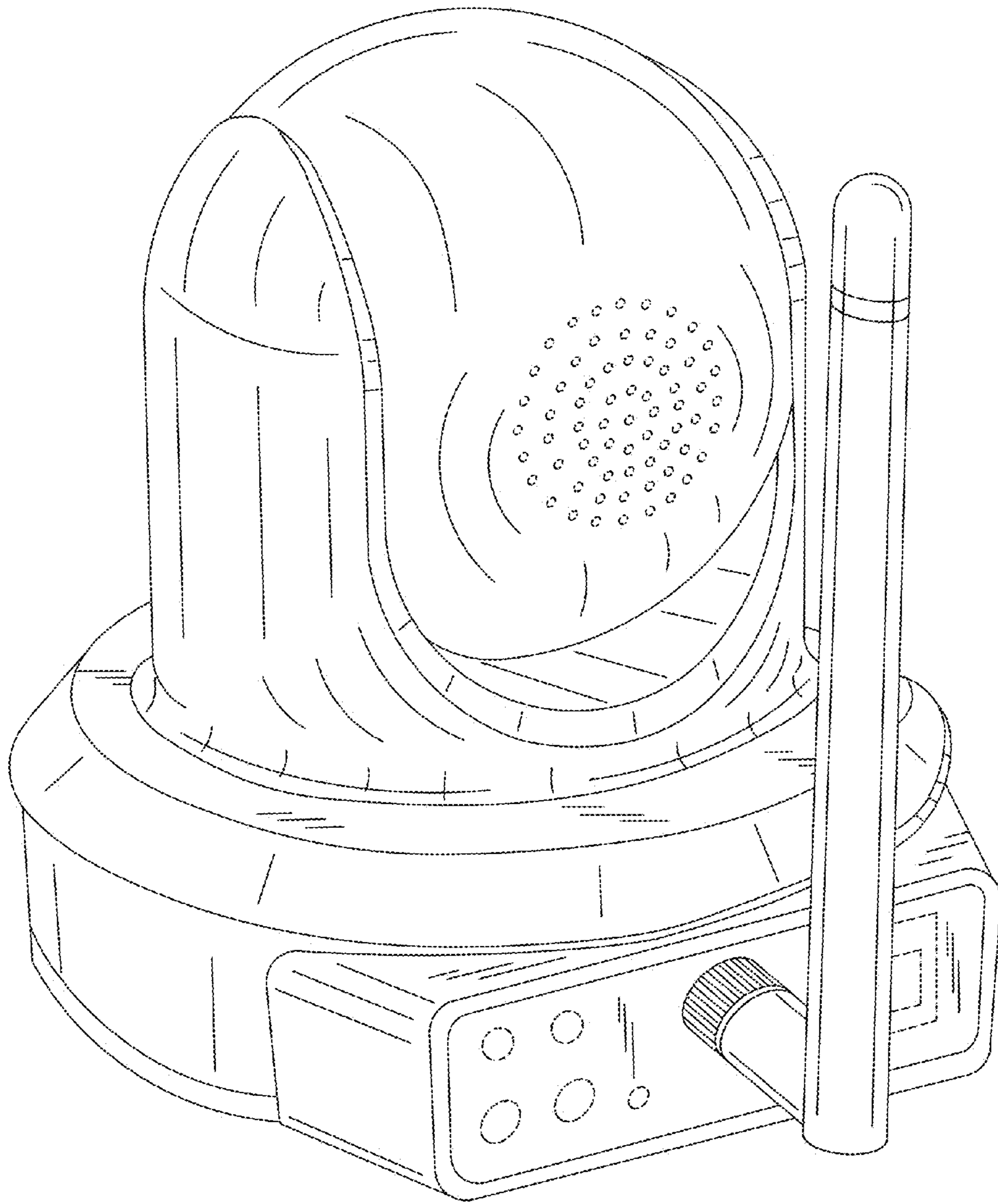


FIG. 8

UNITED STATES PATENT AND TRADEMARK OFFICE
CERTIFICATE OF CORRECTION

PATENT NO. : D752,675 S
APPLICATION NO. : 29/518387
DATED : March 29, 2016
INVENTOR(S) : Ravat et al.

Page 1 of 1

It is certified that error appears in the above-identified patent and that said Letters Patent is hereby corrected as shown below:

On the Title Page

Item (12) delete "Ravat" and insert --Ravat et al.--.

Item (72) Inventor, should read:

--(72) Inventors: Abdurahman Ravat, Houston, TX (US); Tahir Ravat, Dublin (IE); Raheel Nusratullah, Houston, TX (US); Ti Liang Hou, Shenzhen (CN); Wu Bin Hou, Shenzhen (CN)--.

Signed and Sealed this
Eighteenth Day of April, 2017



Michelle K. Lee
Director of the United States Patent and Trademark Office