



US00D752674S

(12) **United States Design Patent**
Katori

(10) **Patent No.:** **US D752,674 S**
(45) **Date of Patent:** **** Mar. 29, 2016**

- (54) **SURVEILLANCE CAMERA**
- (71) Applicant: **Panasonic Intellectual Property Management Co., Ltd., Osaka (JP)**
- (72) Inventor: **Takehito Katori, Kyoto (JP)**
- (73) Assignee: **Panasonic Intellectual Property Management Co., Ltd., Osaka (JP)**
- (**) Term: **14 Years**
- (21) Appl. No.: **29/510,622**
- (22) Filed: **Dec. 1, 2014**
- (30) **Foreign Application Priority Data**
Jun. 6, 2014 (JP) 2014-012268
- (51) **LOC (10) Cl.** **16-01**
- (52) **U.S. Cl.**
USPC **D16/203**
- (58) **Field of Classification Search**
USPC D16/200, 202, 203, 218, 219; 348/143, 348/151, 373-376; 396/427, 535-541
CPC H04N 5/2252
See application file for complete search history.
- (56) **References Cited**
U.S. PATENT DOCUMENTS
D225,379 S * 12/1972 Gallagher D10/106.5
D416,273 S 11/1999 Yamakawa et al.
D426,250 S 6/2000 Lefkowitz
D452,696 S 1/2002 Fenton

D499,125 S	11/2004	Adachi et al.	
D639,842 S	6/2011	Zeinoun et al.	
D645,071 S *	9/2011	Hinkel	D16/203
D657,410 S	4/2012	Helaoui et al.	
D664,178 S *	7/2012	Hinkel	D16/203
D677,297 S	3/2013	Bart et al.	
D688,720 S	8/2013	Yilin	
D694,305 S	11/2013	Katori et al.	
D694,306 S	11/2013	Katori et al.	
D719,994 S *	12/2014	Wang	D16/203
D729,859 S *	5/2015	Shin	D16/203

* cited by examiner

Primary Examiner — Adir Aronovich

(74) *Attorney, Agent, or Firm* — Panasonic Patent Center

(57) **CLAIM**

I claim the ornamental design for a surveillance camera, as shown and described.

DESCRIPTION

FIG. 1 is a perspective view of a surveillance camera of the present invention;
 FIG. 2 is a front view thereof;
 FIG. 3 is a rear view thereof;
 FIG. 4 is a left side view thereof;
 FIG. 5 is a right side view thereof;
 FIG. 6 is a top view thereof; and,
 FIG. 7 is a bottom view thereof.
 The broken line showing of surveillance camera is included for the purpose of illustrating environment and forms no part of the claimed design.

1 Claim, 7 Drawing Sheets

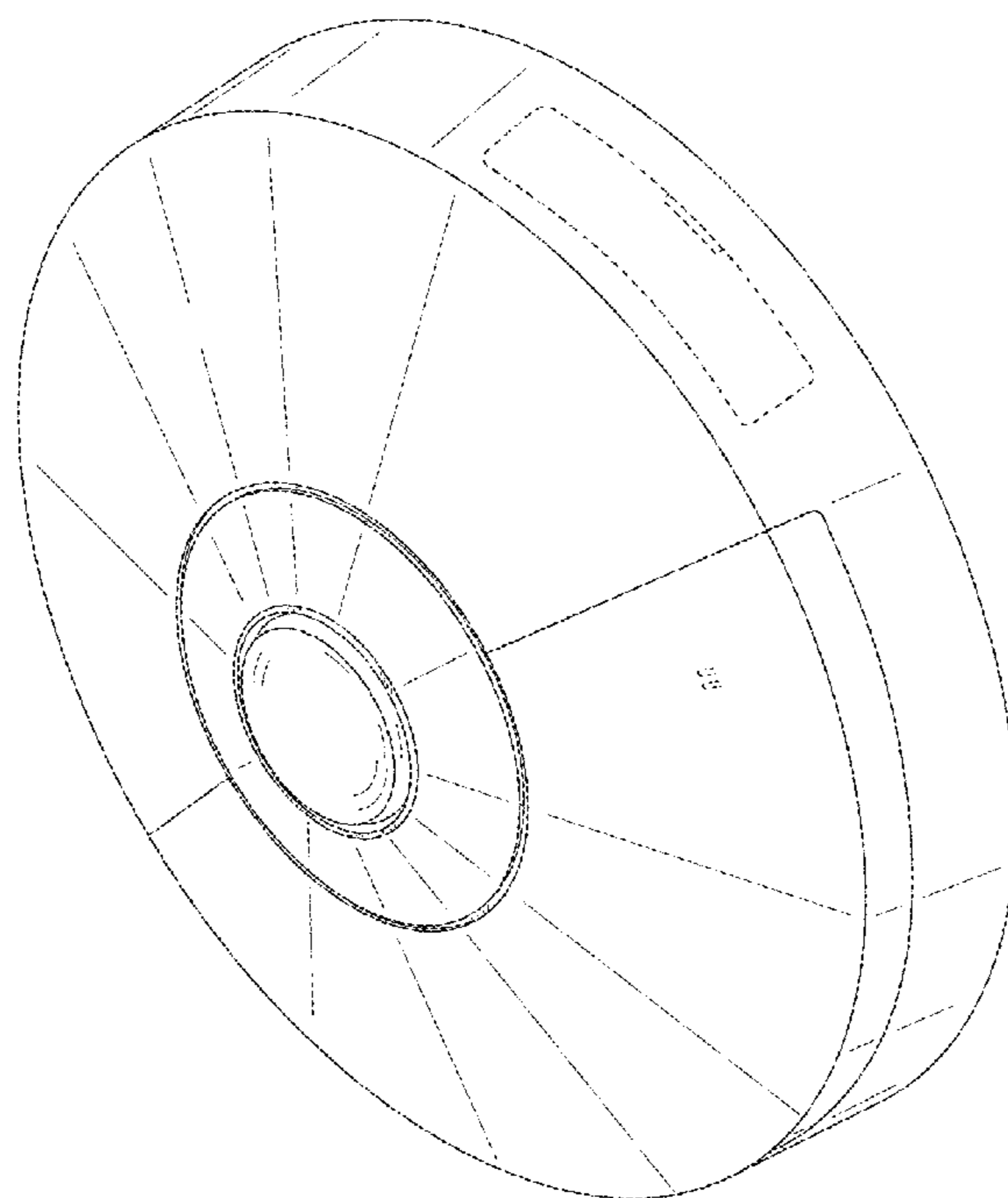


FIG. 1

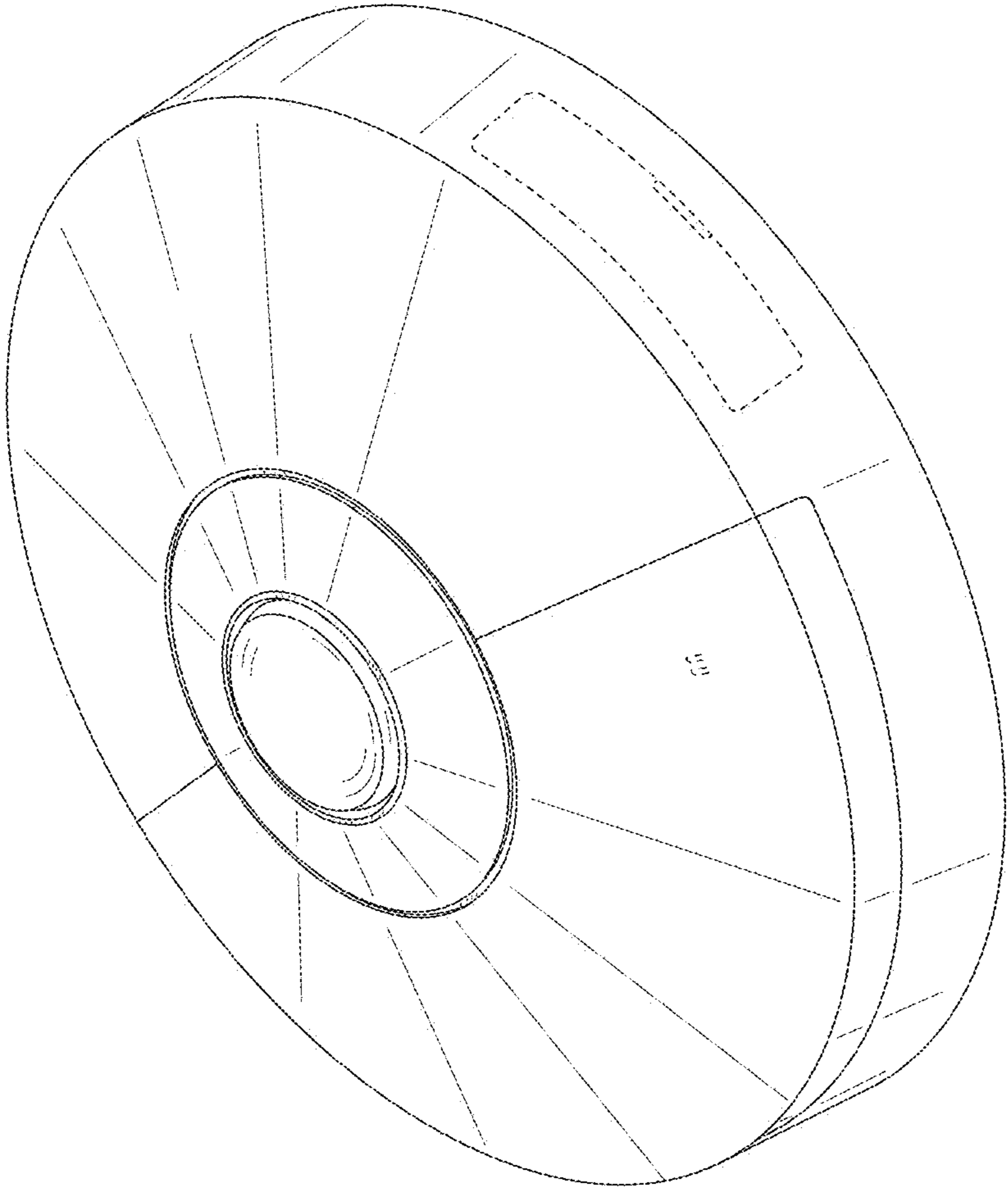


FIG. 2

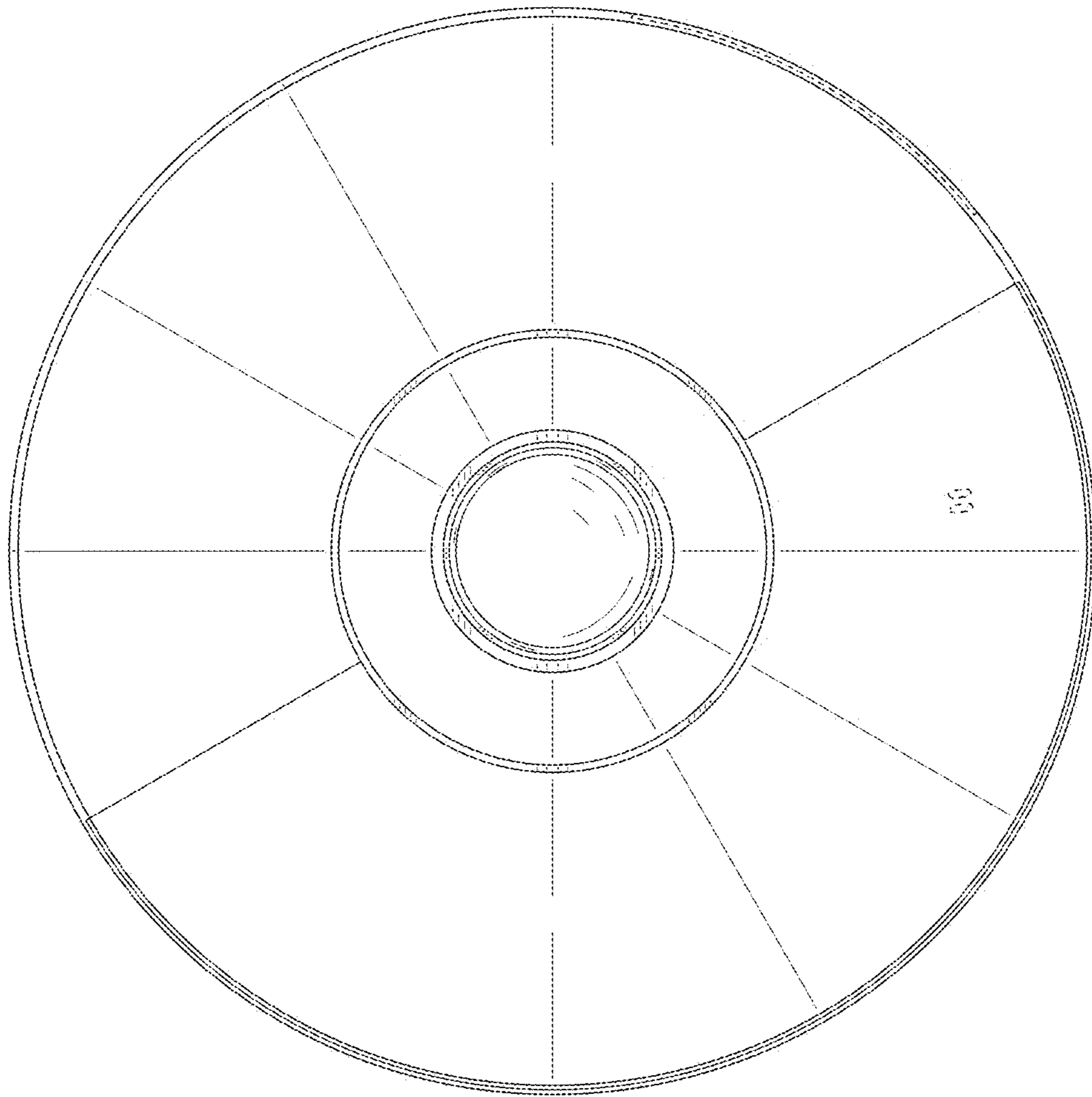


FIG. 3

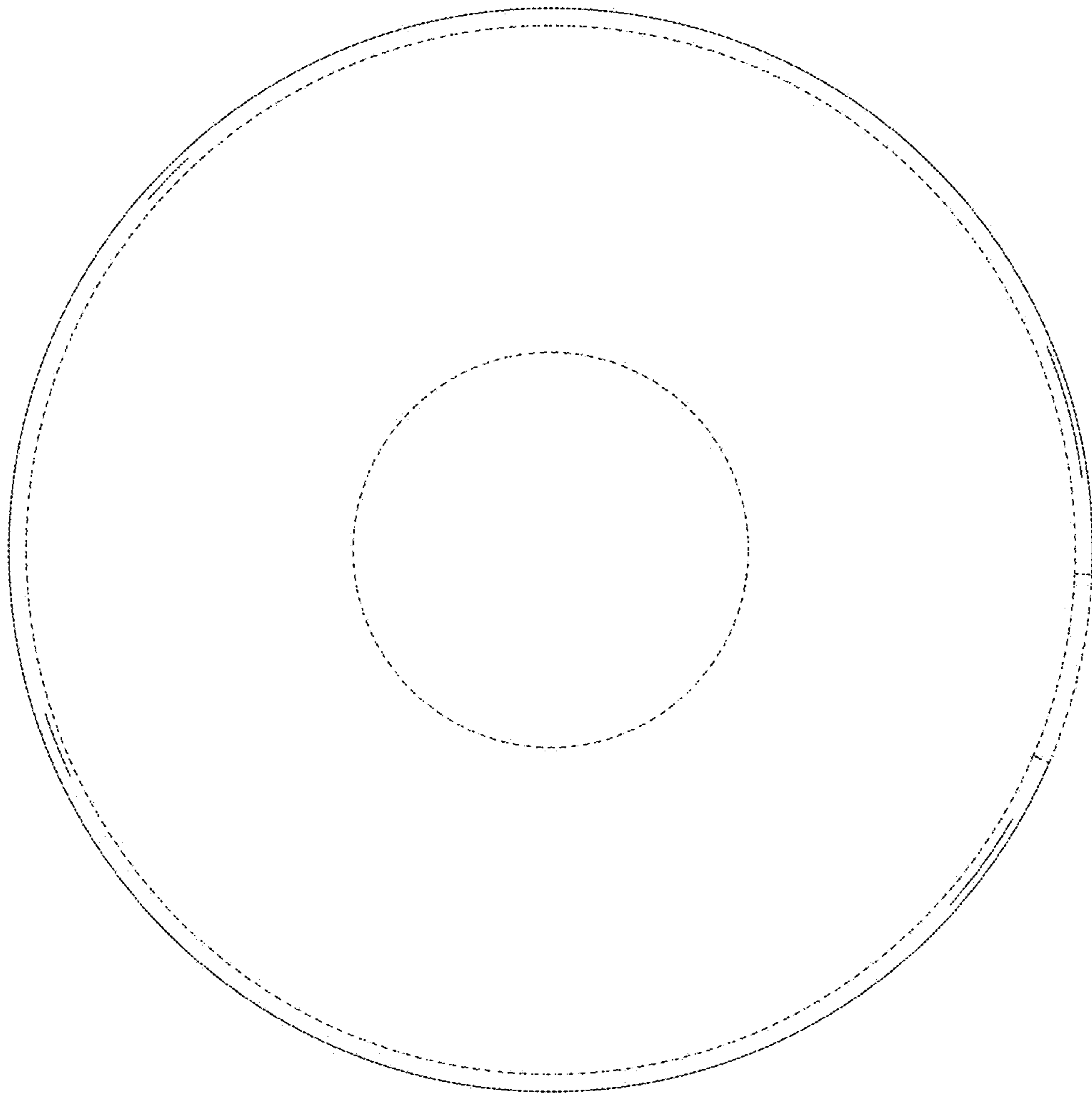


FIG. 4

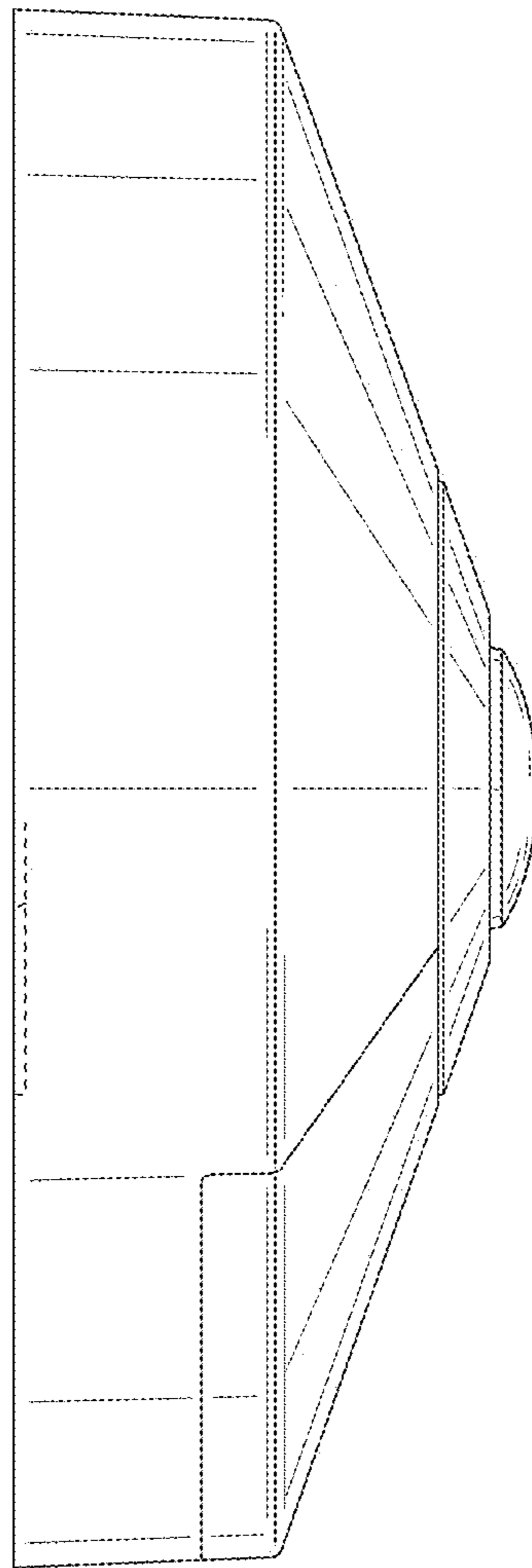


FIG. 5

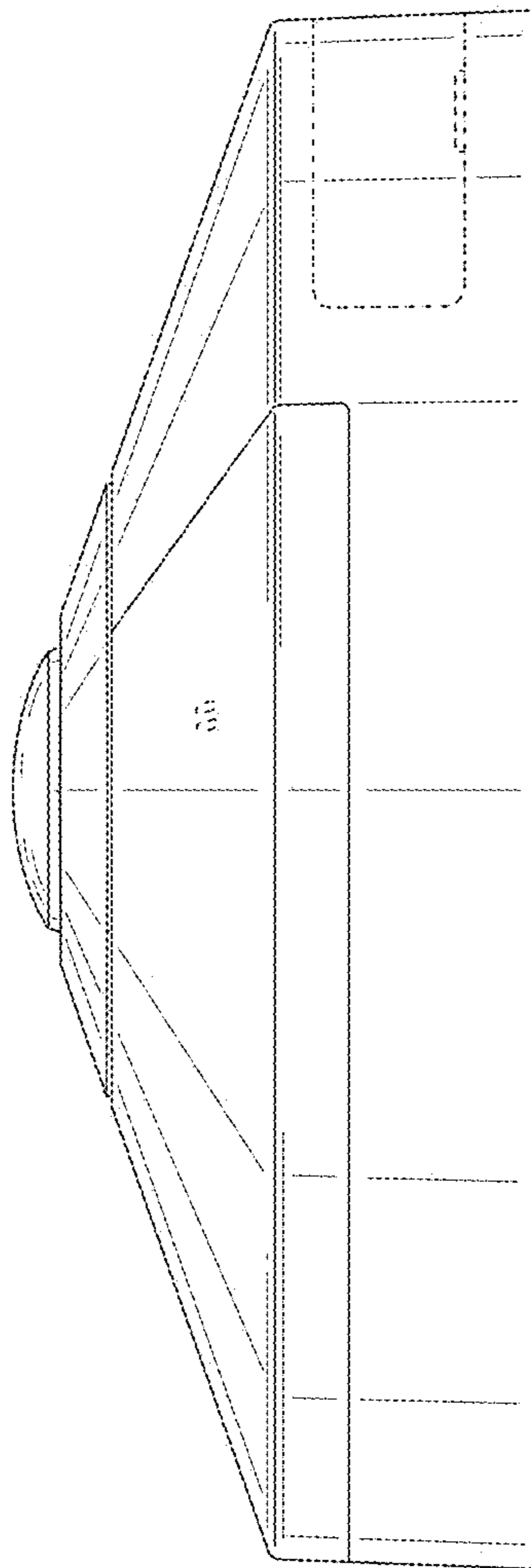


FIG. 6

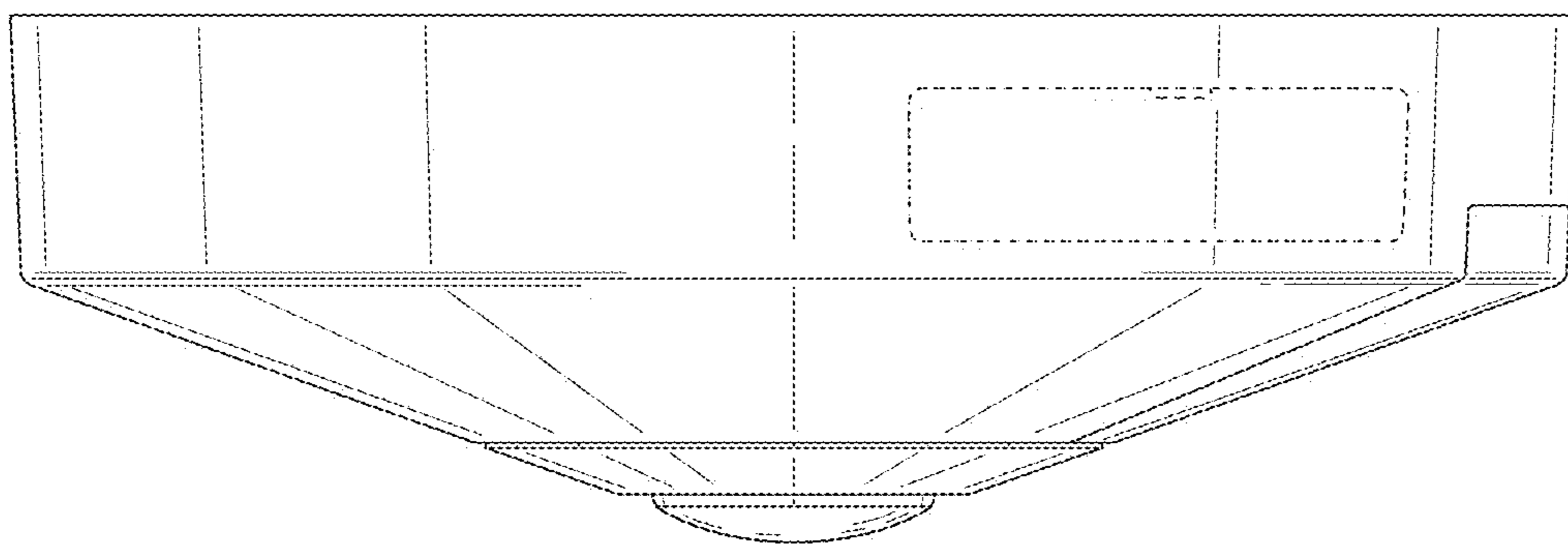


FIG. 7

