



US00D752673S

(12) **United States Design Patent**  
**Petty et al.**

(10) **Patent No.:** **US D752,673 S**

(45) **Date of Patent:** **\*\* Mar. 29, 2016**

(54) **CAMERA**

(71) Applicant: **Blackmagic Design Pty. Ltd.**, Port Melbourne, Victoria (AU)

(72) Inventors: **Grant Petty**, Melbourne (AU); **Simon Kidd**, Prahran (AU); **Stuart Elford**, Newport (AU); **Michael Cornish**, Black Rock (AU); **Chee Yau Lye**, Elwood (AU); **Ryan Harper**, Balwyn (AU); **Kristian Lam**, Point Cook (AU)

(73) Assignee: **Blackmagic Design Pty. Ltd.** (AU)

(\*\*) Term: **14 Years**

(21) Appl. No.: **29/451,625**

(22) Filed: **Apr. 5, 2013**

(51) **LOC (10) Cl.** ..... **16-01**

(52) **U.S. Cl.**  
USPC ..... **D16/202**

(58) **Field of Classification Search**

USPC ..... D16/200, 202–206, 208, 209, 218, 219;  
348/373–376; 396/175, 535, 539–541

CPC ..... G03B 15/03; G03B 17/02; G03B 17/04;  
G03B 17/56; G03B 19/04; H04N 5/2251;  
H04N 5/2252; H04N 5/2253; H04N 5/2254;  
H04N 2101/00

See application file for complete search history.

(56) **References Cited**

**U.S. PATENT DOCUMENTS**

5,253,003 A \* 10/1993 Fujii et al. .... 396/175  
D520,544 S \* 5/2006 Senda ..... D16/202

D532,031 S \* 11/2006 Hayashi ..... D16/218  
D631,496 S \* 1/2011 Tainaka ..... D16/202  
D640,720 S \* 6/2011 Yoshii et al. .... D16/202  
D646,314 S \* 10/2011 Nohara ..... D16/202  
D653,275 S \* 1/2012 Sakai ..... D16/202  
D657,408 S \* 4/2012 Tainaka ..... D16/202  
D669,930 S \* 10/2012 Koyama et al. .... D16/219  
8,638,390 B2 \* 1/2014 Shinohara et al. .... 348/373  
D716,359 S \* 10/2014 Nohara ..... D16/202

\* cited by examiner

*Primary Examiner* — Susan E Krakower

*Assistant Examiner* — Ramzi Almatrahi

(74) *Attorney, Agent, or Firm* — Saidman DesignLaw Group, LLC

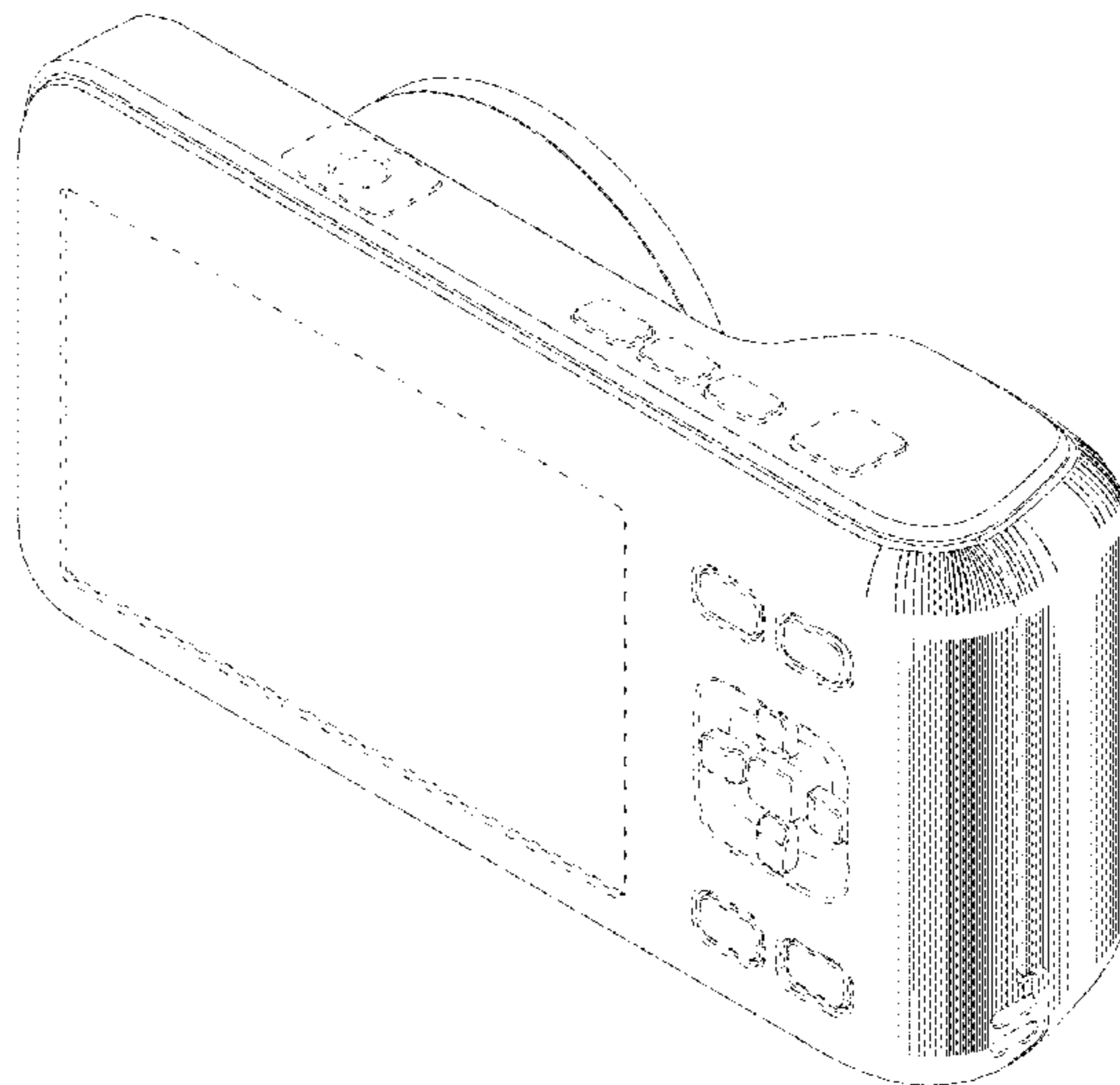
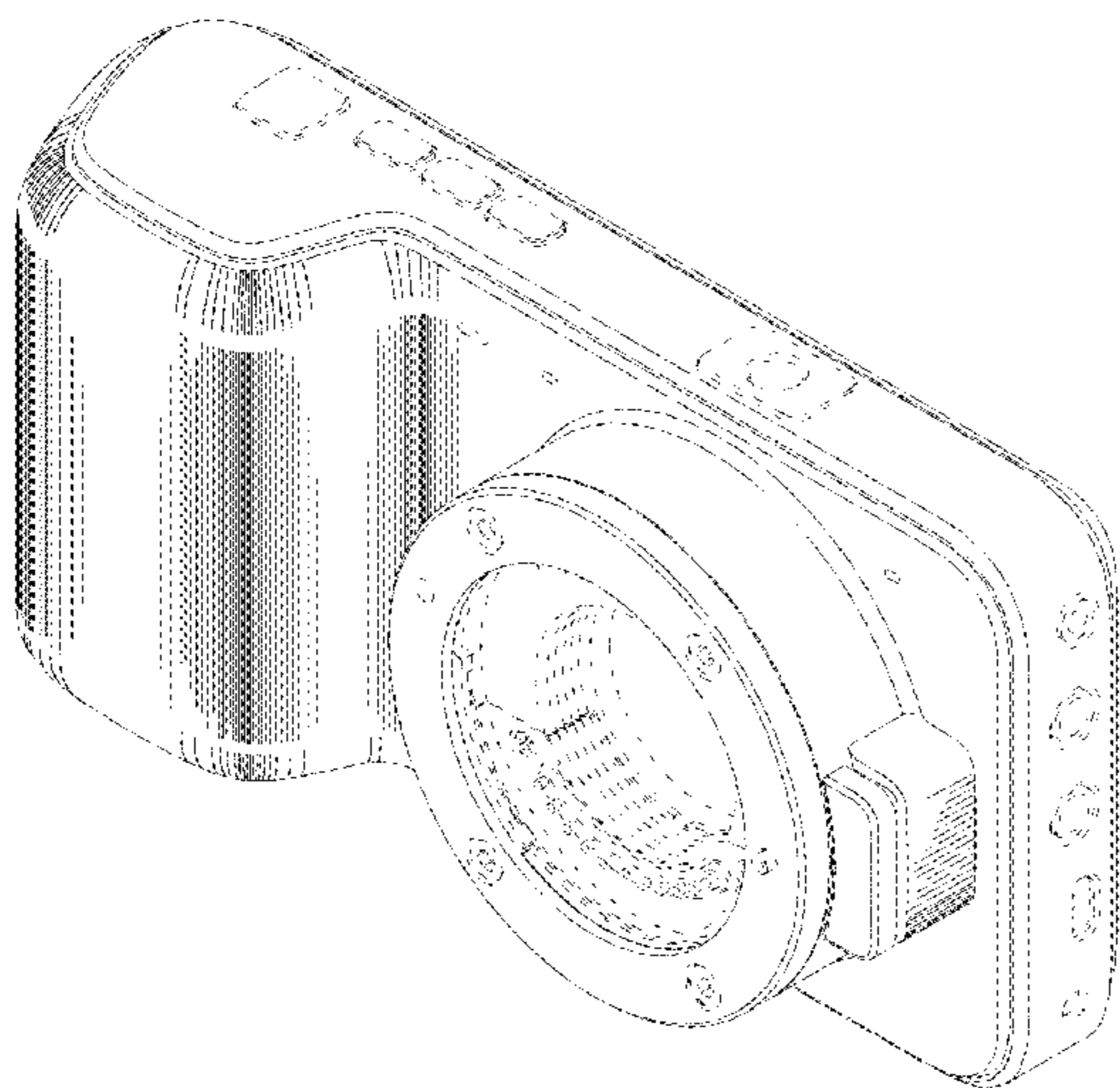
(57) **CLAIM**

The ornamental design for a camera, as shown and described.

**DESCRIPTION**

FIG. 1 is a front view of a camera showing our new design; FIG. 2 is a top view thereof; FIG. 3 is a rear view thereof; FIG. 4 is a bottom view thereof; FIG. 5 is a right side view thereof; FIG. 6 is a left side view thereof; FIG. 7 is a top, front perspective view thereof; FIG. 8 is a top, rear perspective view thereof; FIG. 9 is a bottom, front perspective view thereof; and, FIG. 10 is a bottom, rear perspective view thereof. The broken lines depict portions of a camera in which the design is embodied and form no part of the claimed design.

**1 Claim, 10 Drawing Sheets**



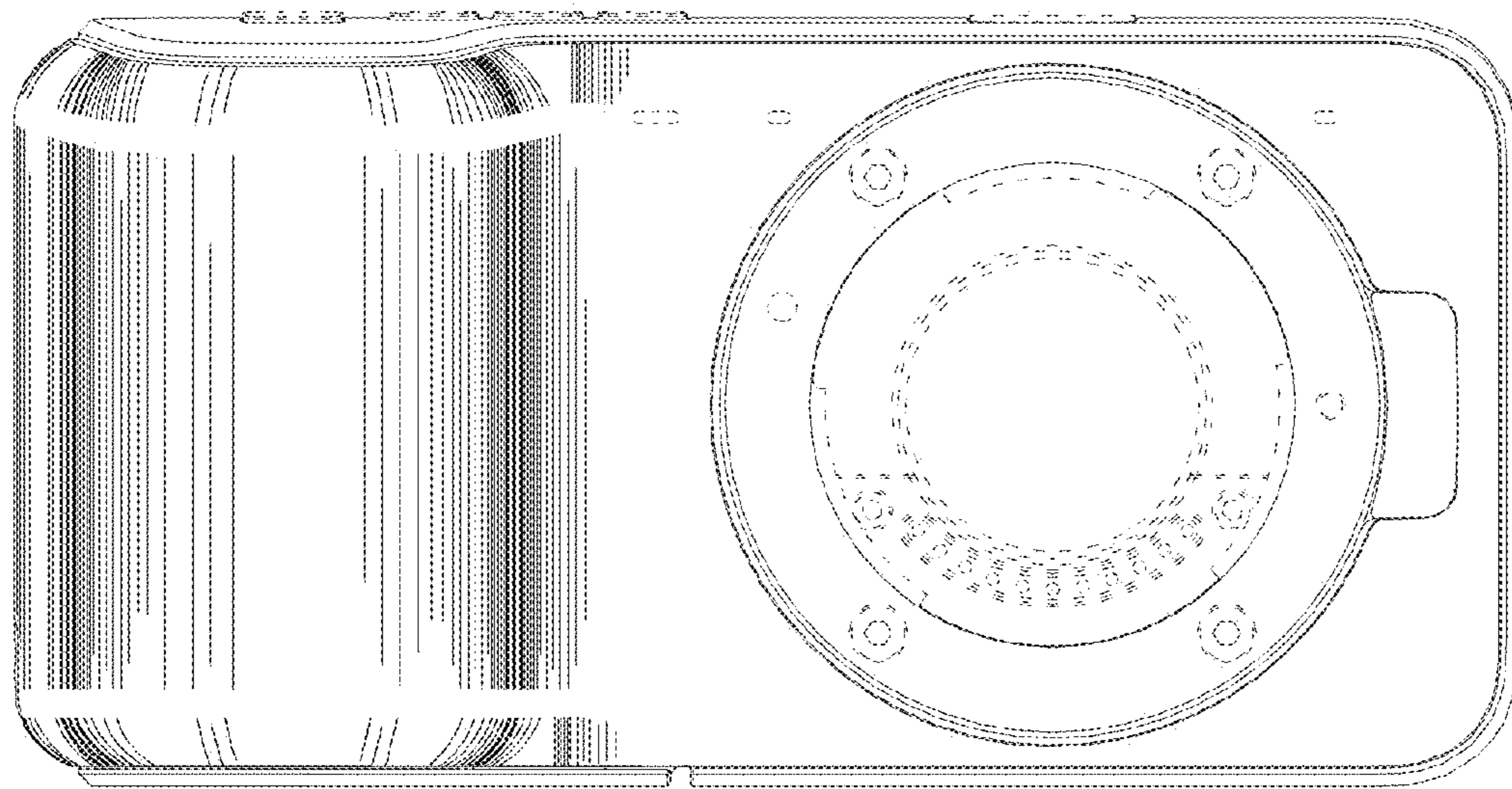


Figure 1

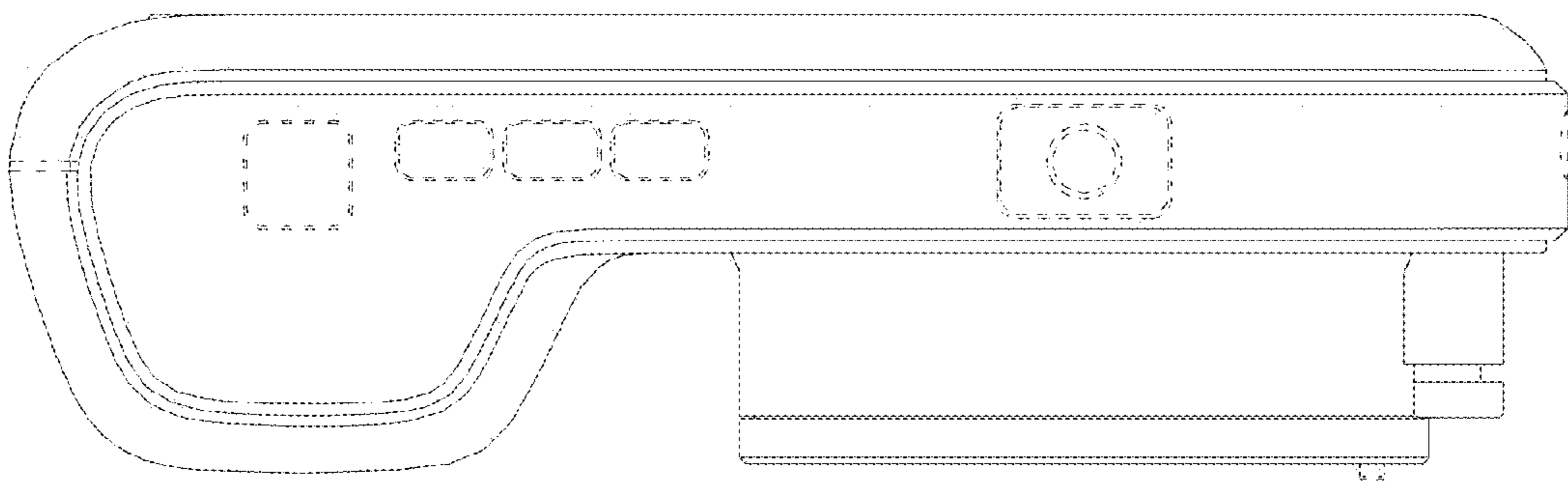


Figure 2

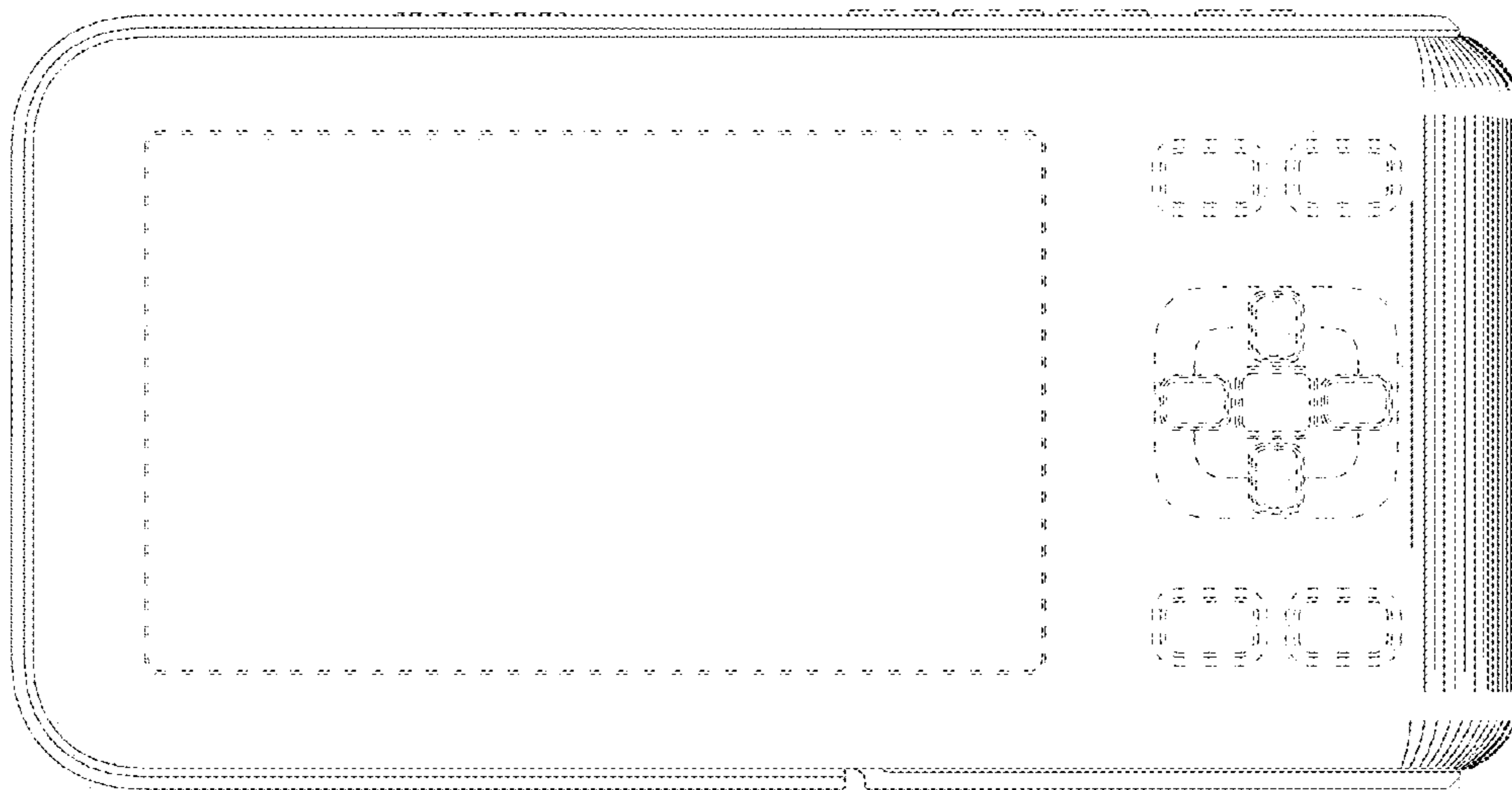


Figure 3

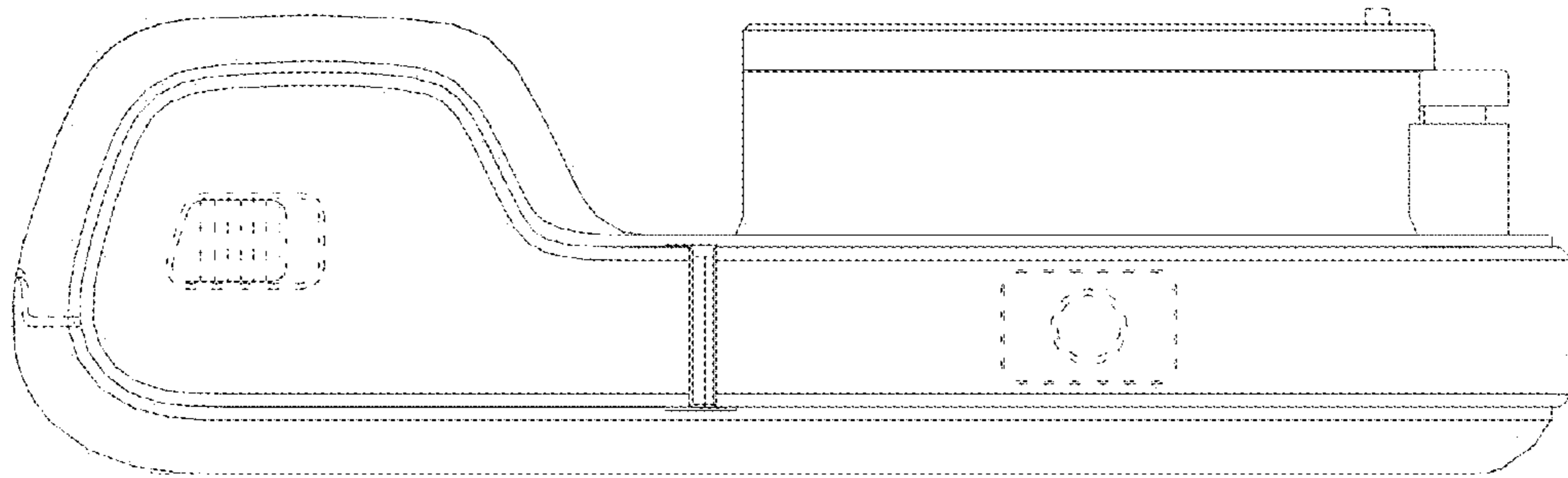


Figure 4

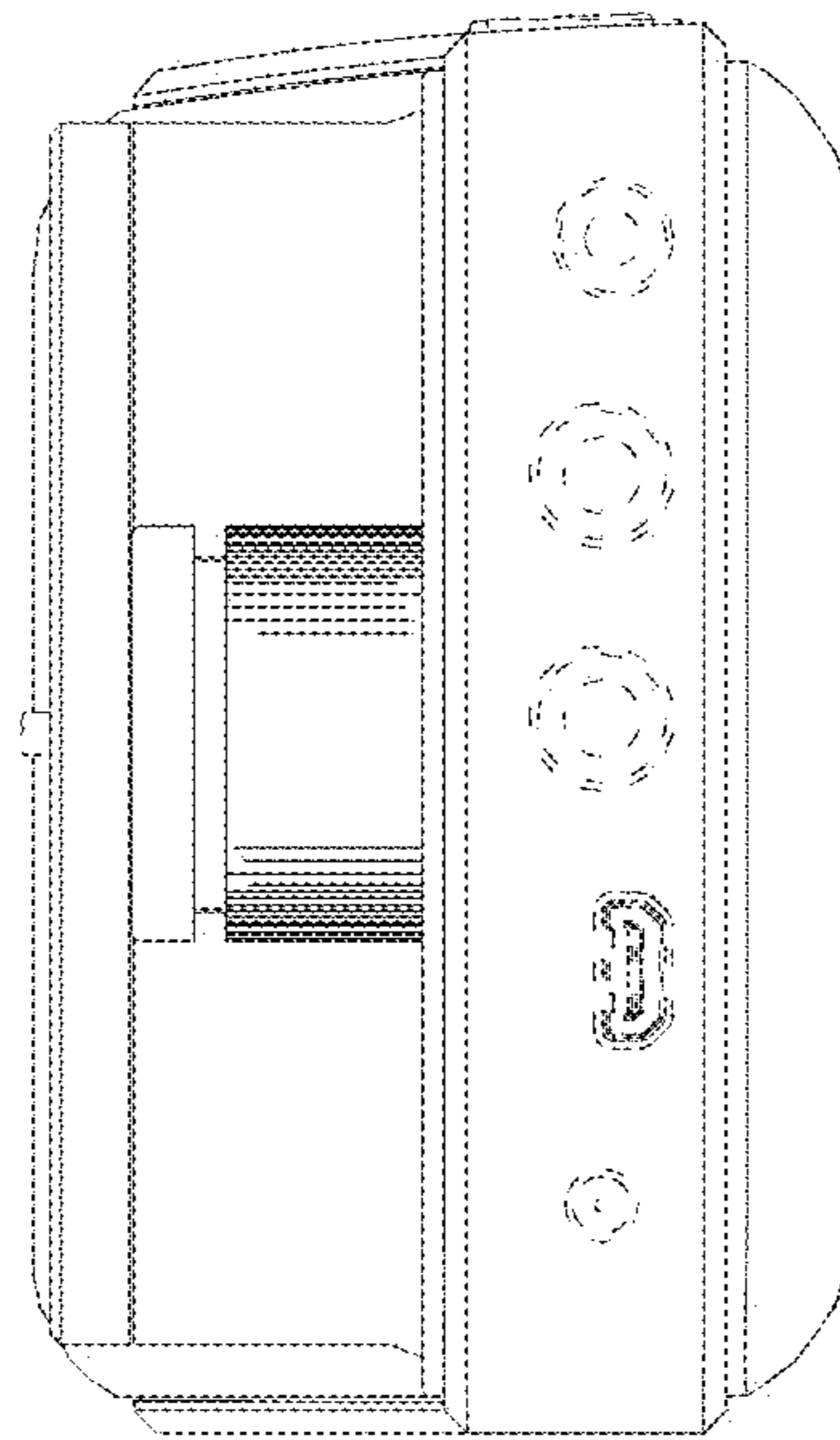


Figure 5

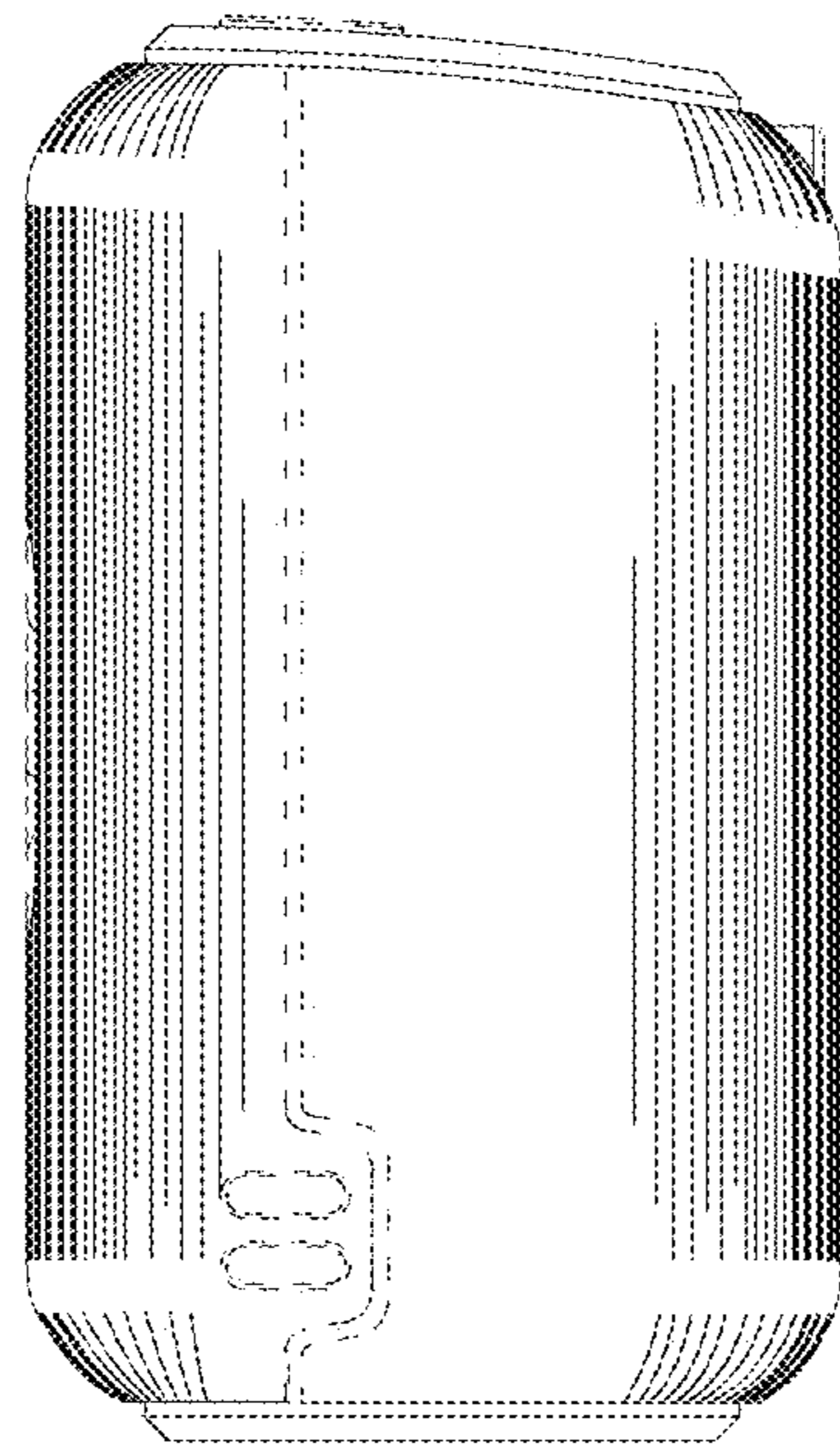


Figure 6

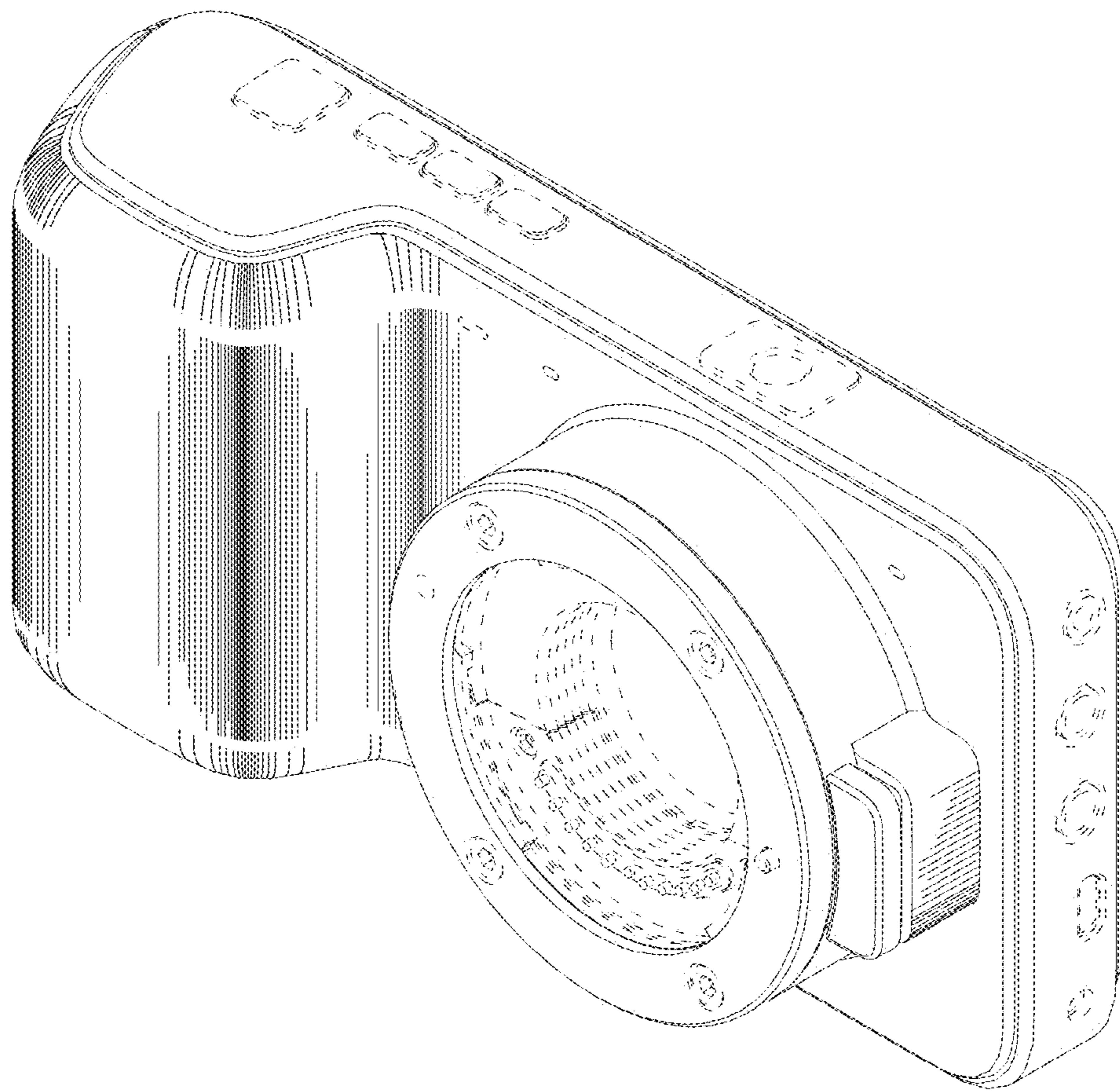


Figure 7



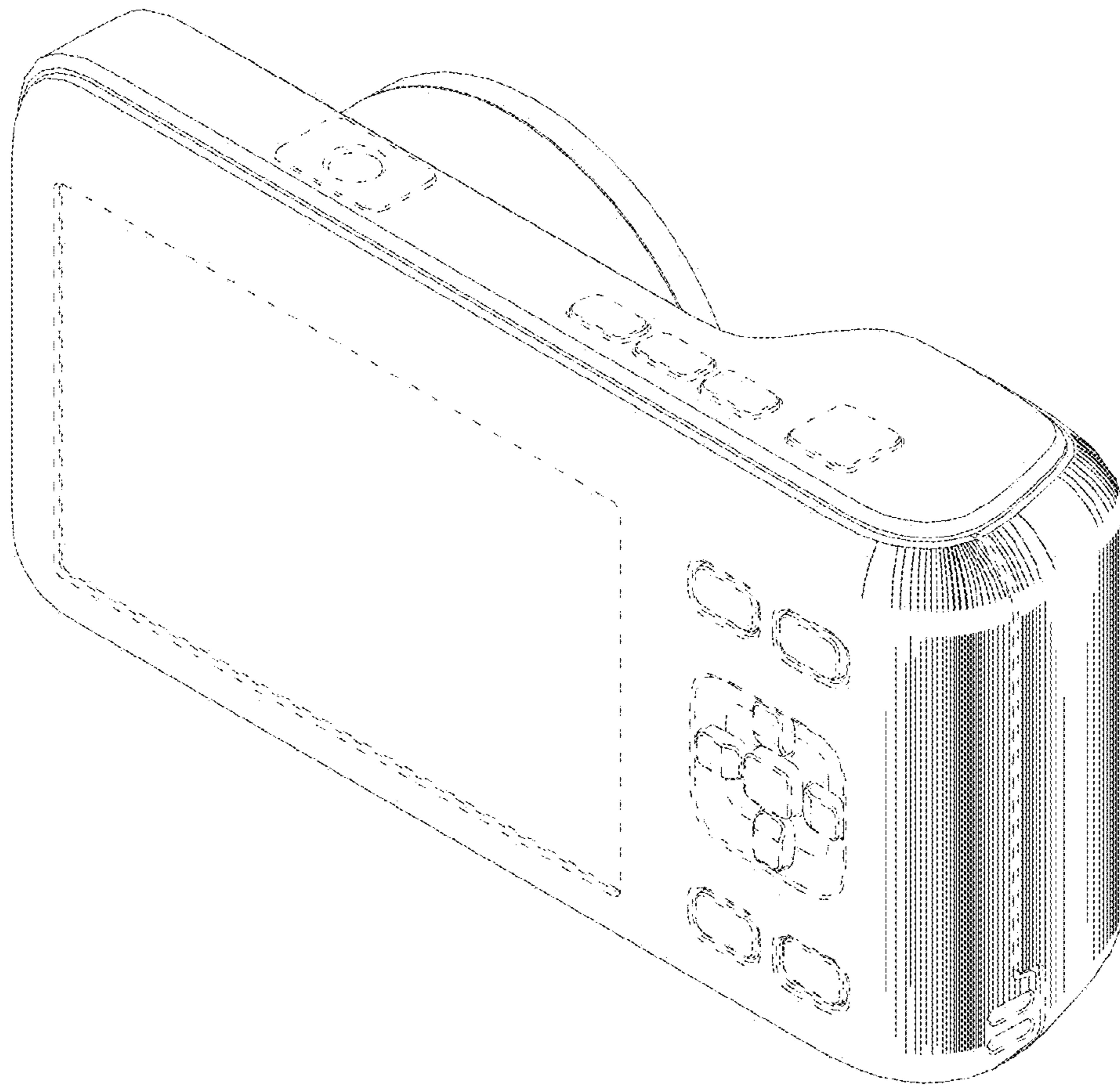


Figure 8

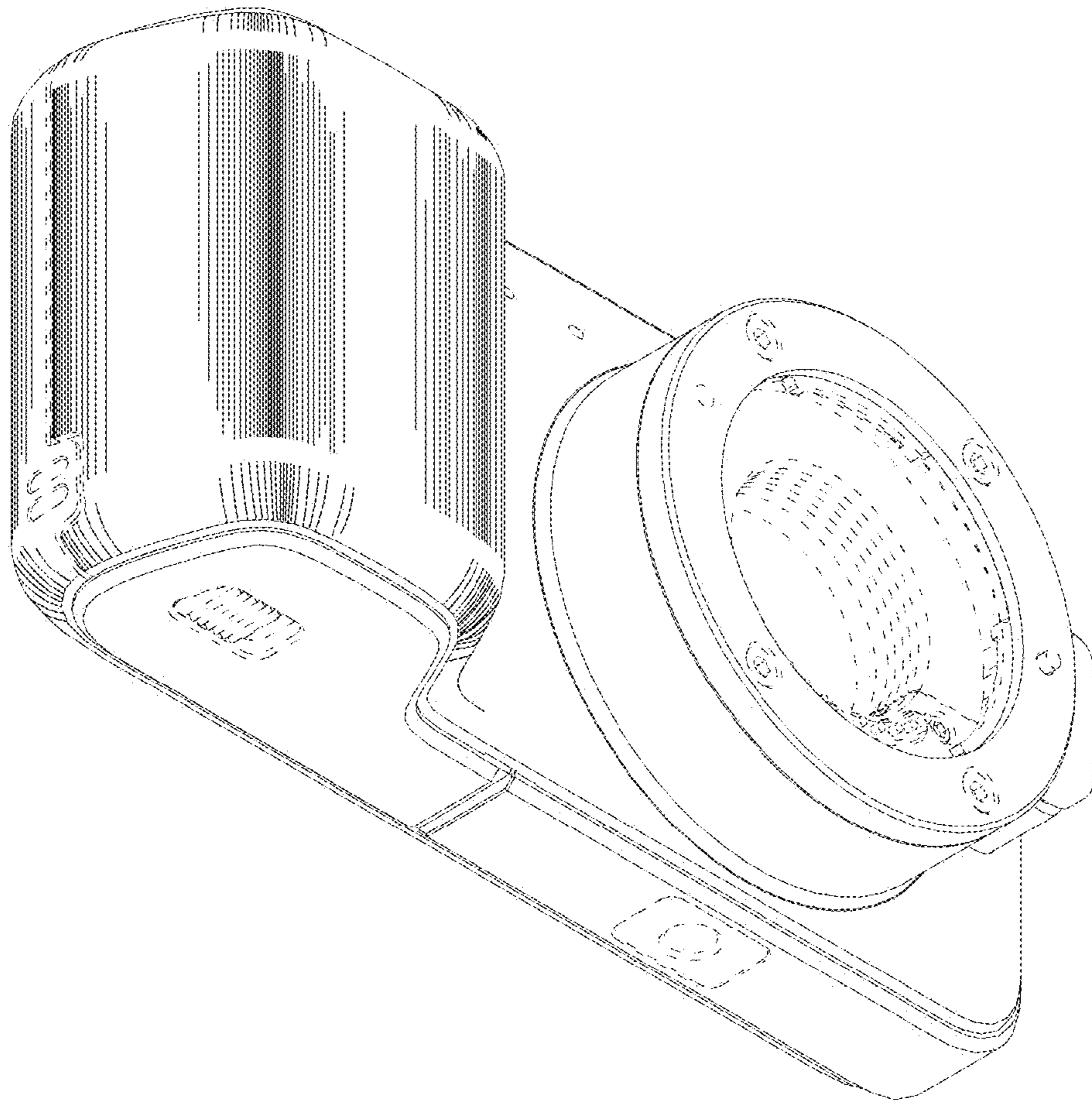


Figure 9

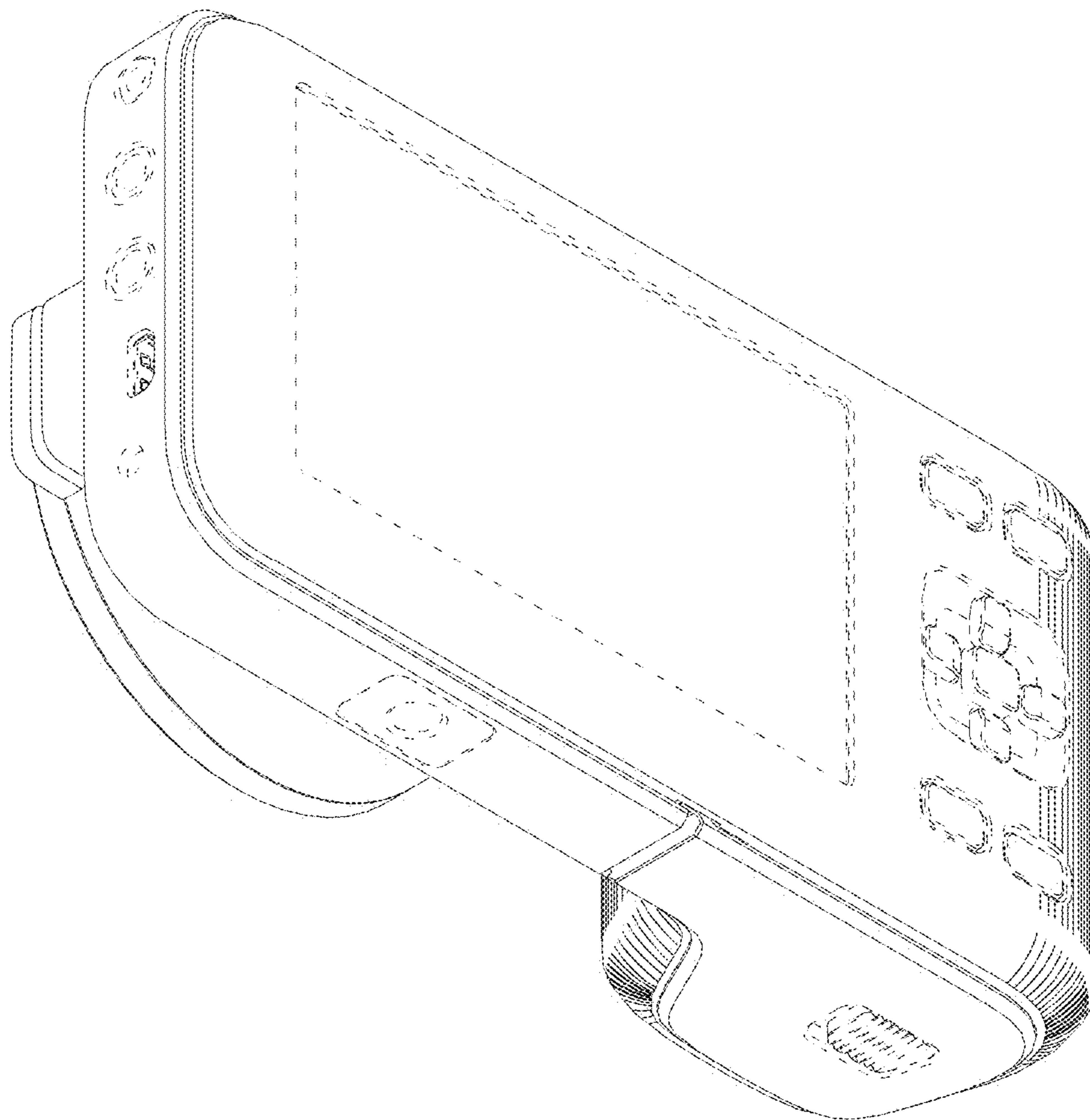


Figure 10