



US00D752672S

(12) **United States Design Patent**  
**Clearman et al.**

(10) **Patent No.:** **US D752,672 S**  
(45) **Date of Patent:** **\*\* Mar. 29, 2016**

(54) **CAMERA HOUSING**

(71) Applicant: **GoPro, Inc.**, San Mateo, CA (US)

(72) Inventors: **Christopher Aaron Clearman**, Half Moon Bay, CA (US); **Seungheon Lee**, Cupertino, CA (US); **Joseph Chun**, El Dorado Hills, CA (US)

(73) Assignee: **GoPro, Inc.**, San Mateo, CA (US)

(\*\*) Term: **14 Years**

(21) Appl. No.: **29/526,516**

(22) Filed: **May 11, 2015**

(51) **LOC (10) Cl.** ..... **16-01**

(52) **U.S. Cl.**  
USPC ..... **D16/200**

(58) **Field of Classification Search**  
USPC ..... D16/200, 202, 203, 208, 218, 219;  
348/373-374; 396/535, 540, 541  
CPC ..... G03B 15/00; G03B 15/03; G03B 15/06;  
G03B 17/02; G03B 17/04; G03B 17/045;  
H04N 5/2251; H04N 5/2252; H04N 2/2253;  
H04N 2/2254

See application file for complete search history.

(56) **References Cited**

U.S. PATENT DOCUMENTS

679,881	A *	8/1901	Timmermans	.....	G03B 17/045 396/535
4,646,141	A *	2/1987	Timmermans	.....	H01J 29/867 348/373
D441,386	S *	5/2001	Yamazaki	.....	D16/203
D515,121	S *	2/2006	Bleau	.....	D16/202
D550,741	S *	9/2007	Vernon	.....	D16/208
D646,313	S *	10/2011	Woodman	.....	D16/200
8,467,675	B2 *	6/2013	Chen	.....	G03B 17/02 348/374
D699,277	S *	2/2014	Samuels	.....	D16/200
D725,169	S *	3/2015	Gioscia	.....	D16/218
D727,387	S *	4/2015	Hasegawa	.....	D16/203

\* cited by examiner

*Primary Examiner* — Adir Aronovich

(74) *Attorney, Agent, or Firm* — Fenwick & West LLP

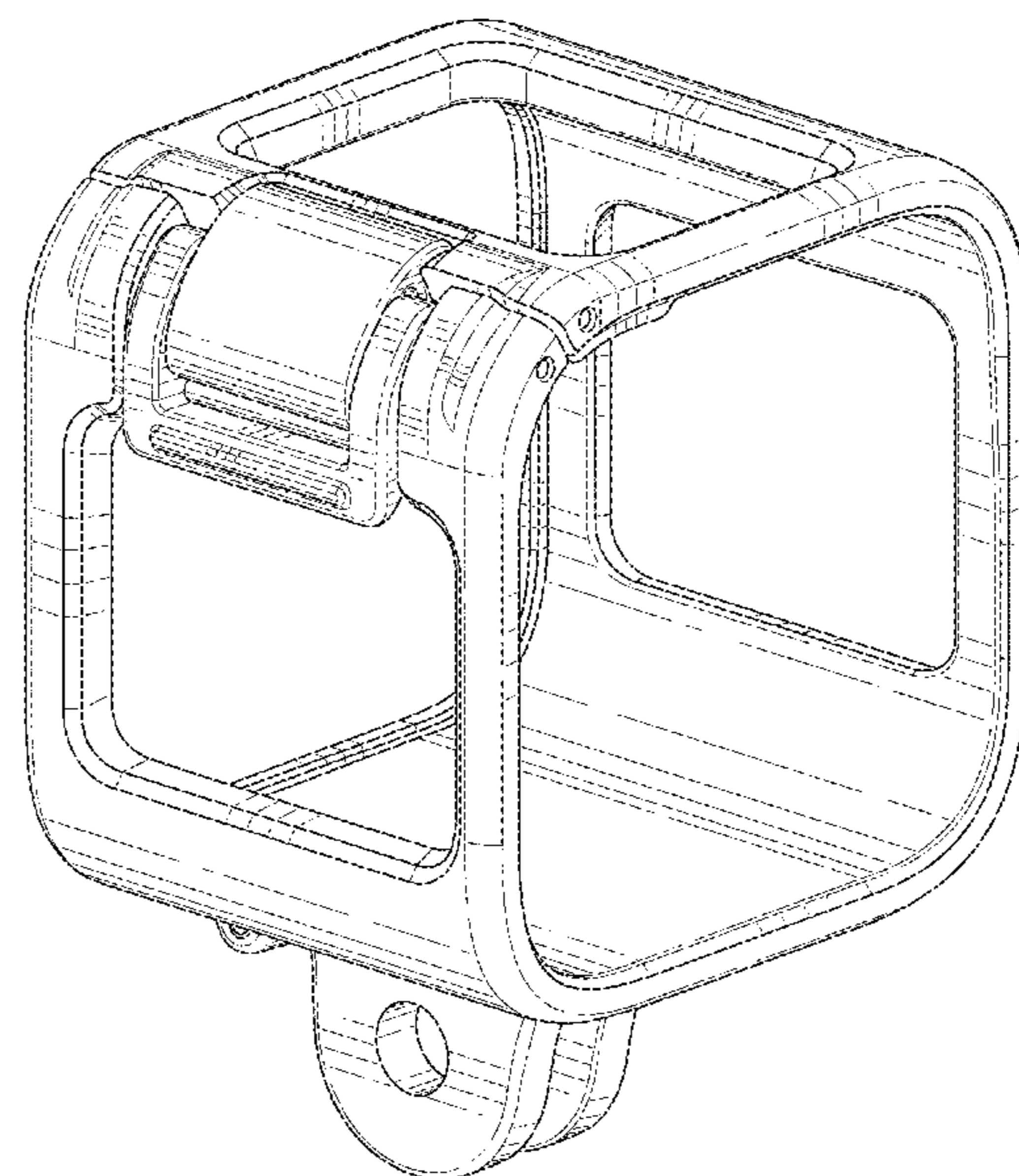
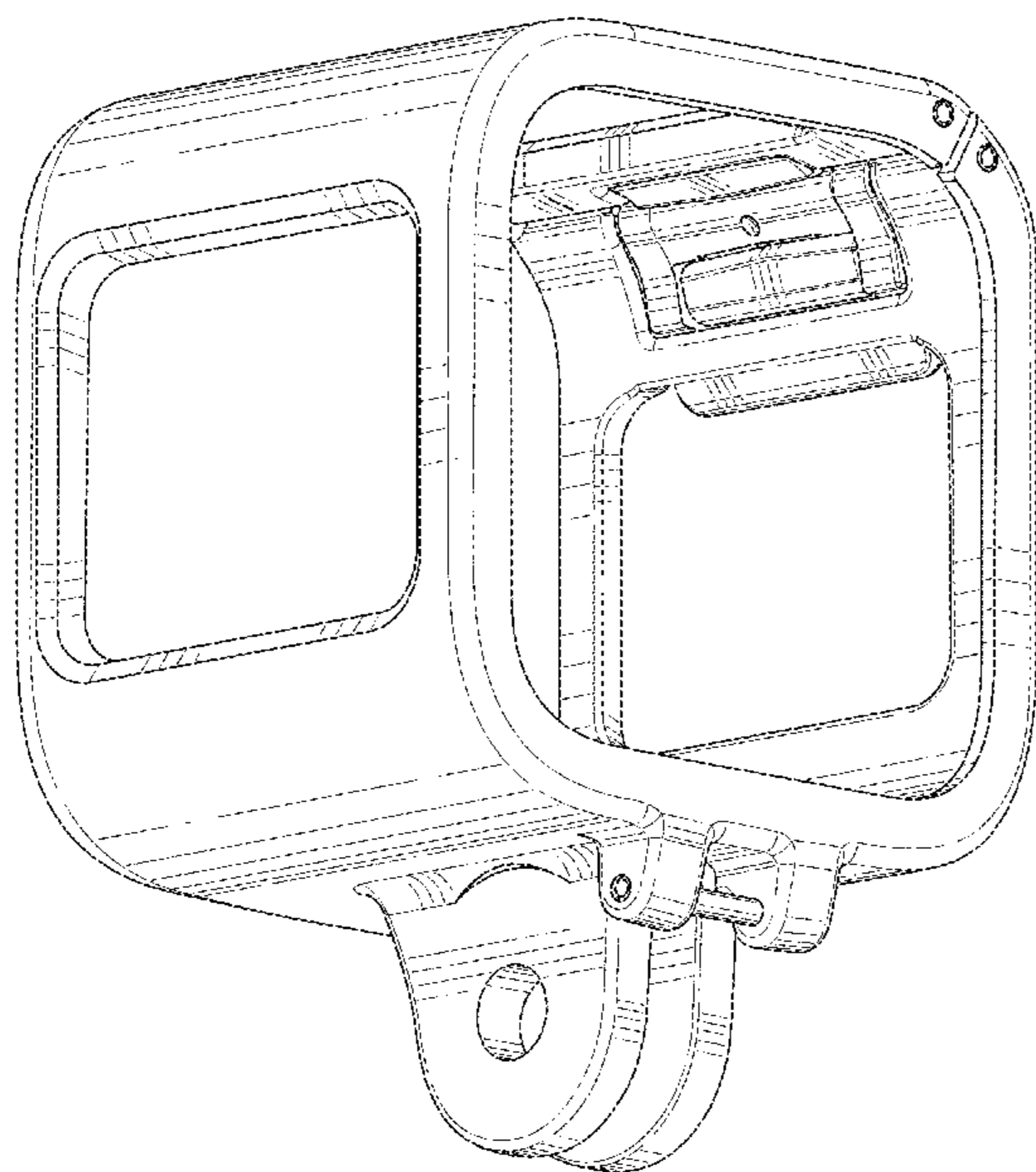
(57) **CLAIM**

The ornamental design for a camera housing, as shown and described.

**DESCRIPTION**

FIG. 1 is a rear, bottom and left side perspective view of a camera housing showing our new design. FIG. 2 is a front, top, and right side perspective view thereof; FIG. 3 is a front elevational view thereof; FIG. 4 is a rear elevational view thereof; FIG. 5 is a right side elevational view thereof; FIG. 6 is a left side elevational view thereof; FIG. 7 is a top plan view thereof; and, FIG. 8 is a bottom plan view thereof.

**1 Claim, 8 Drawing Sheets**



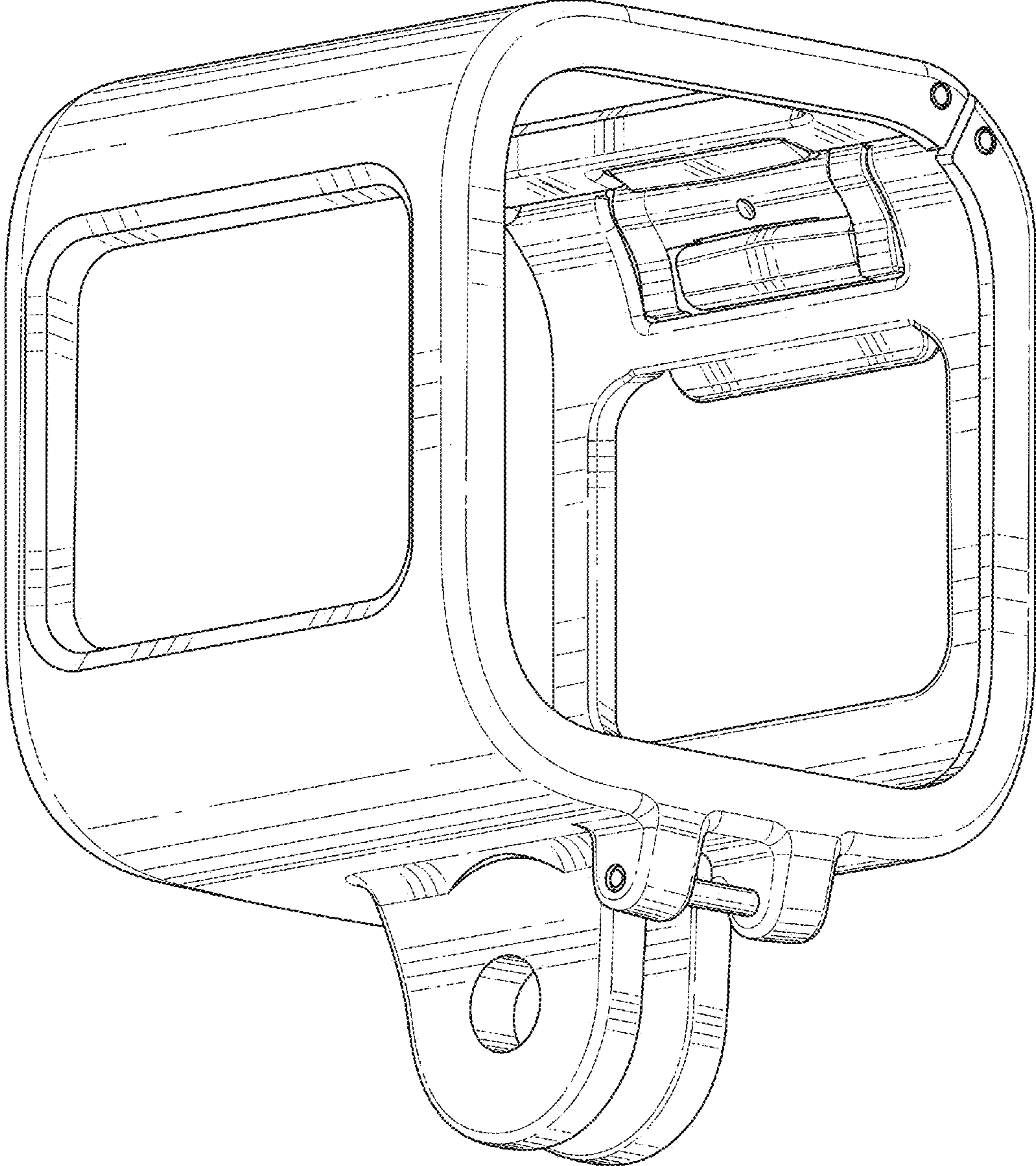


FIG. 1

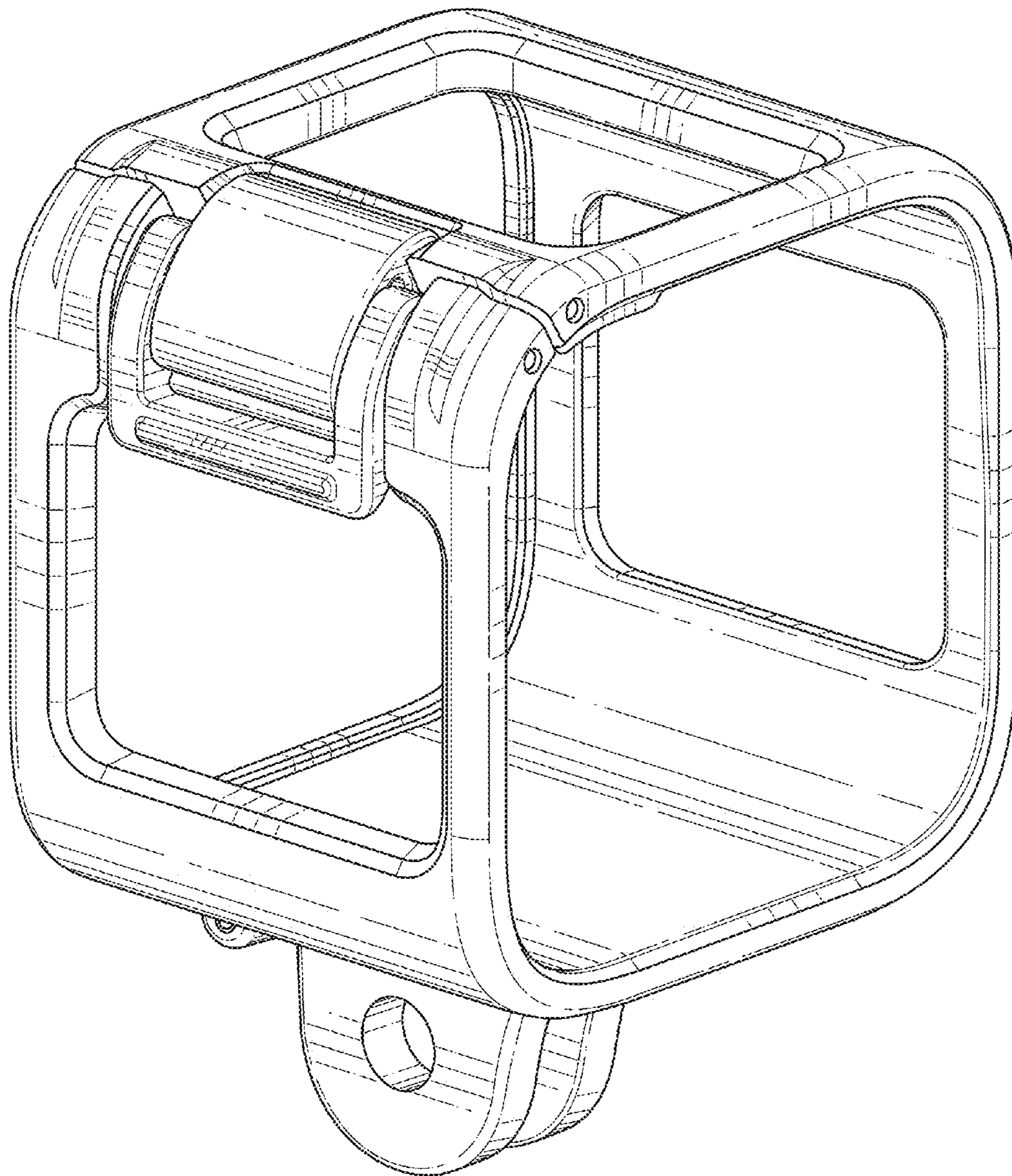


FIG. 2

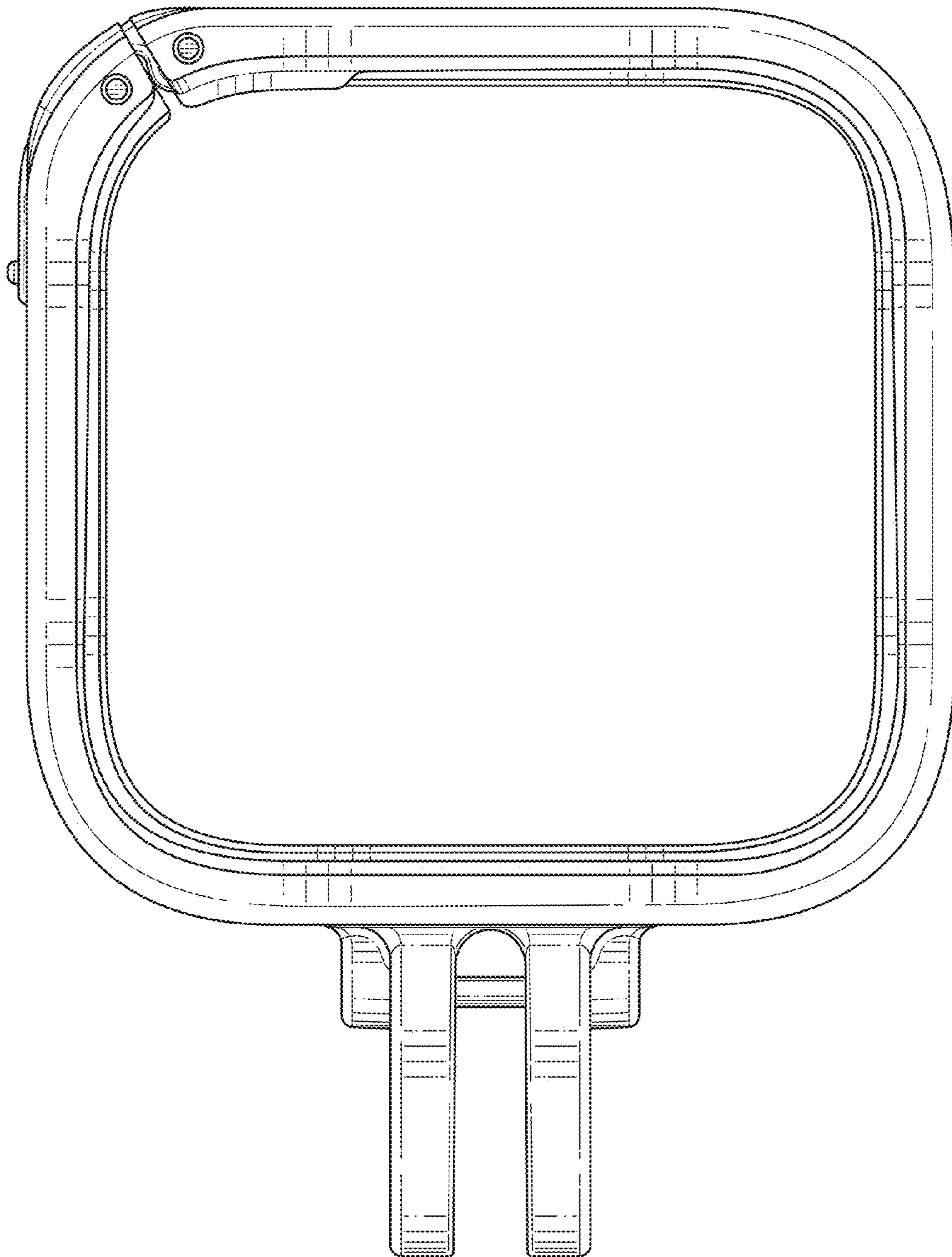


FIG. 3

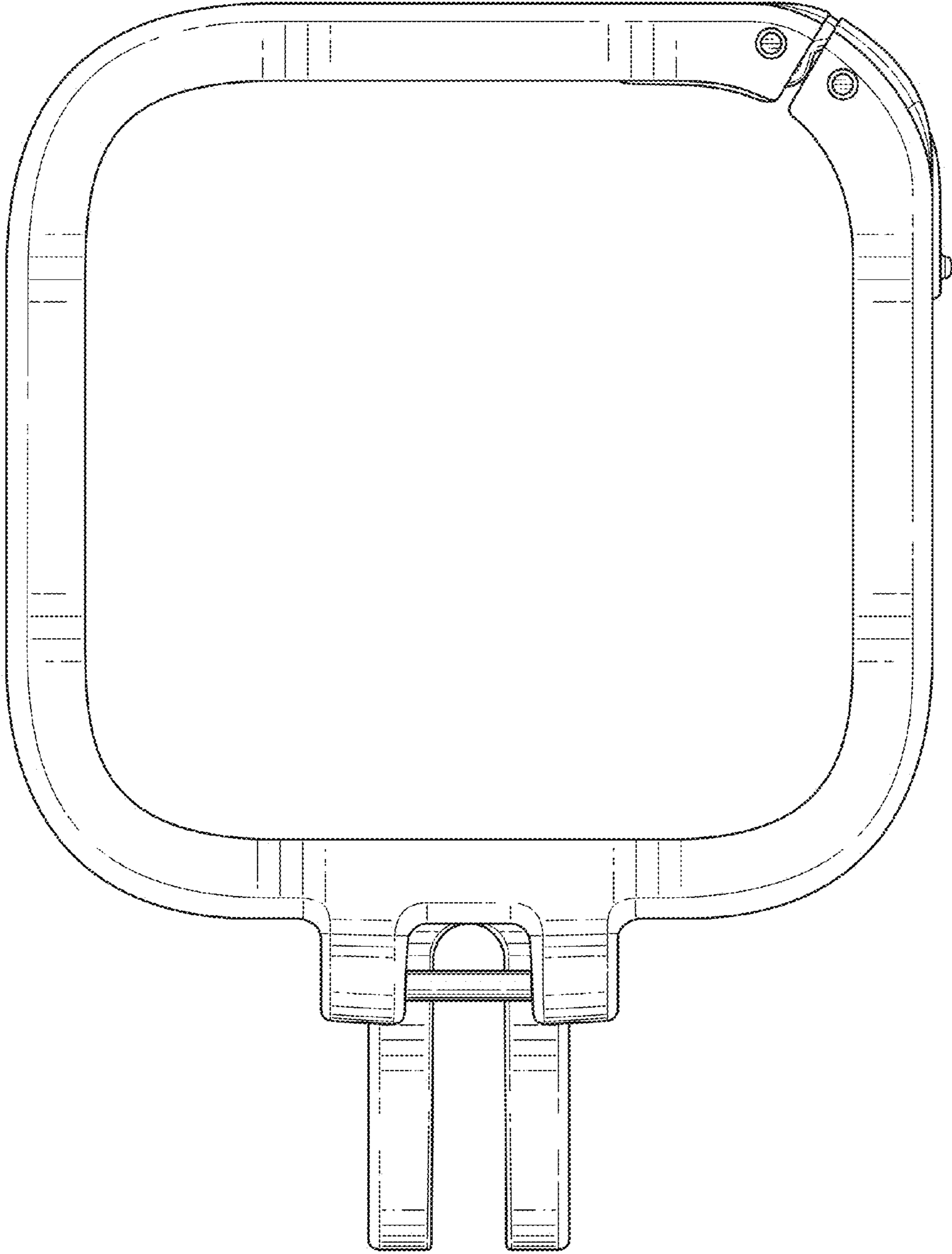


FIG. 4

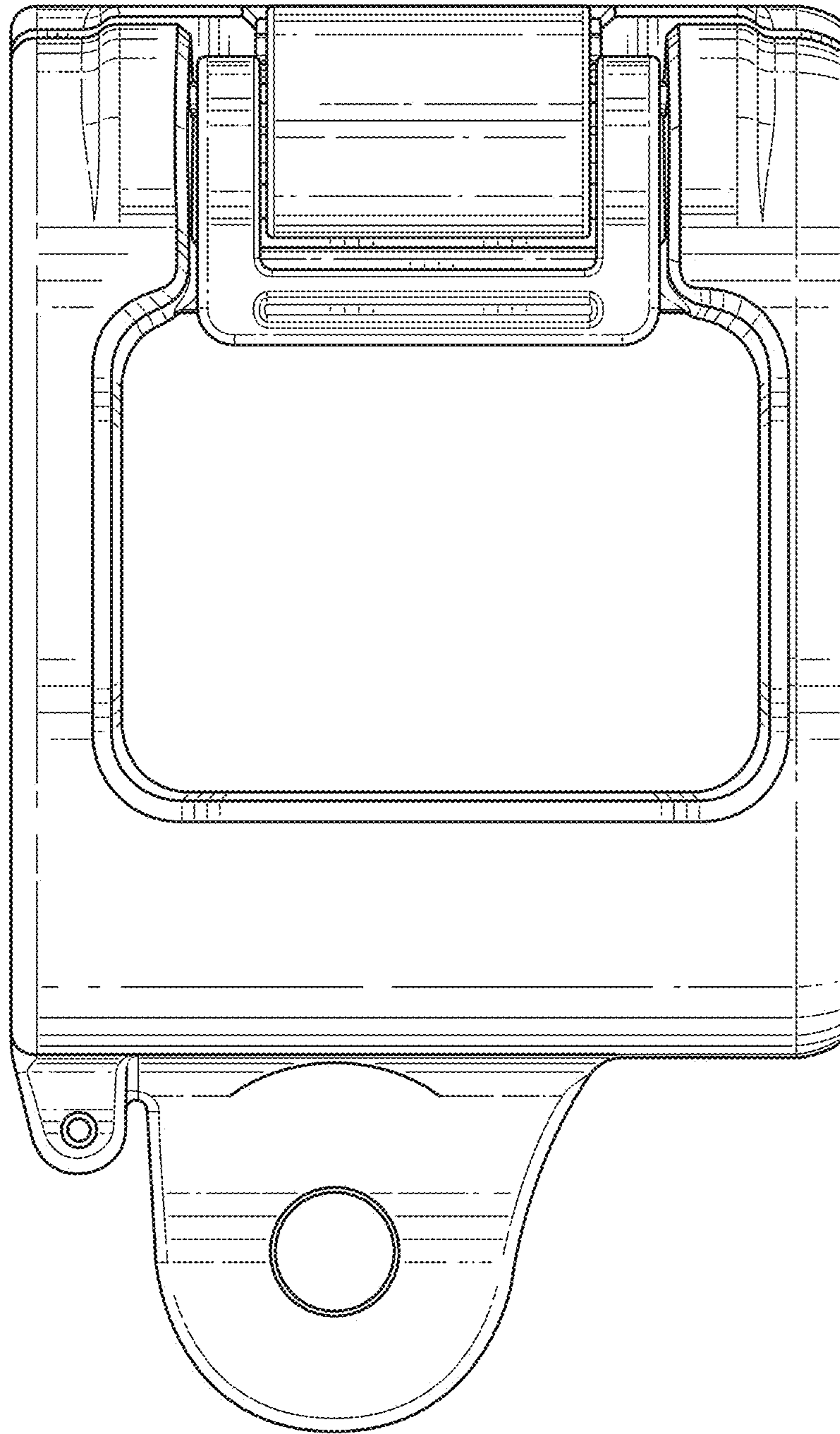


FIG. 5

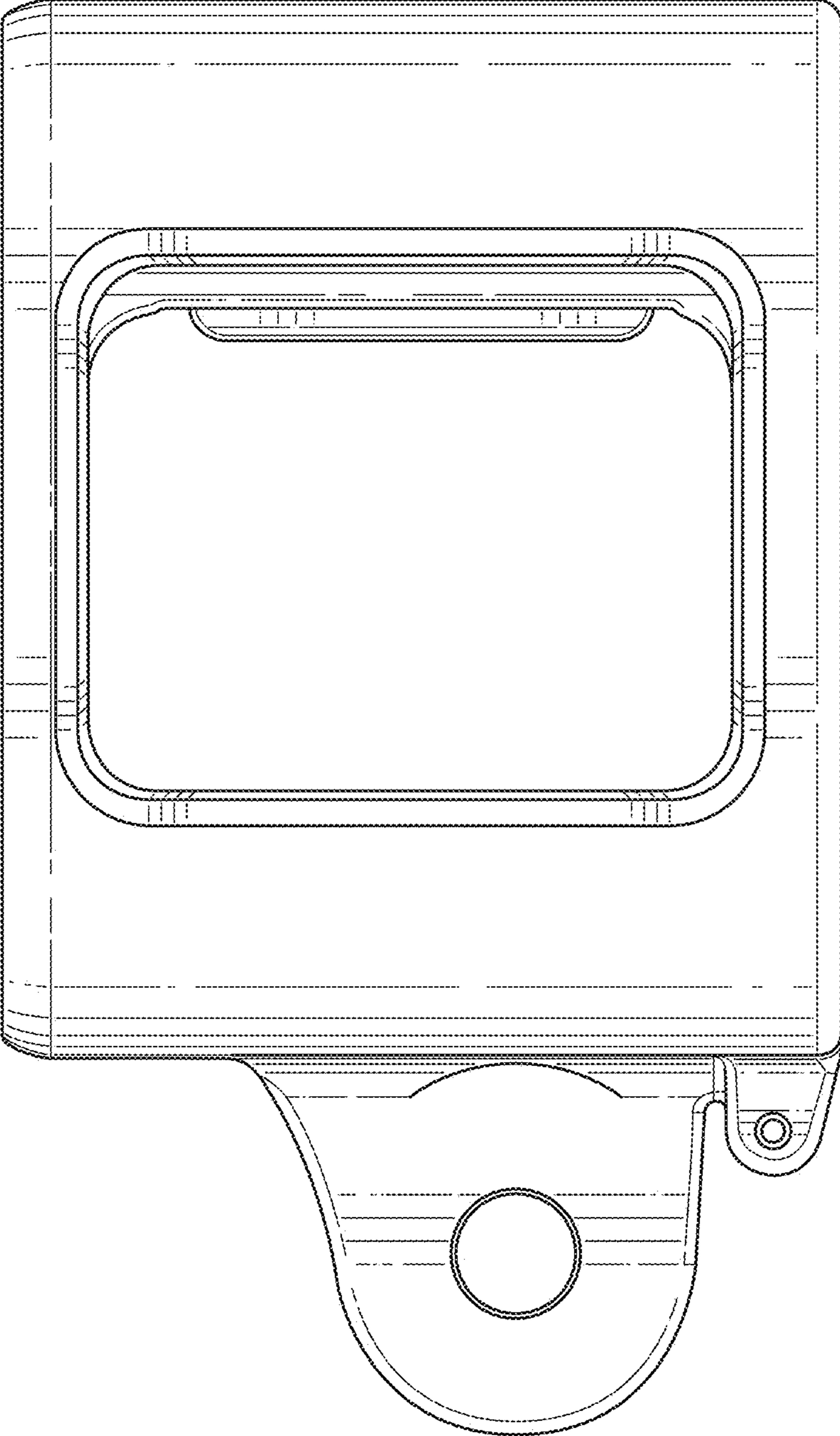


FIG. 6

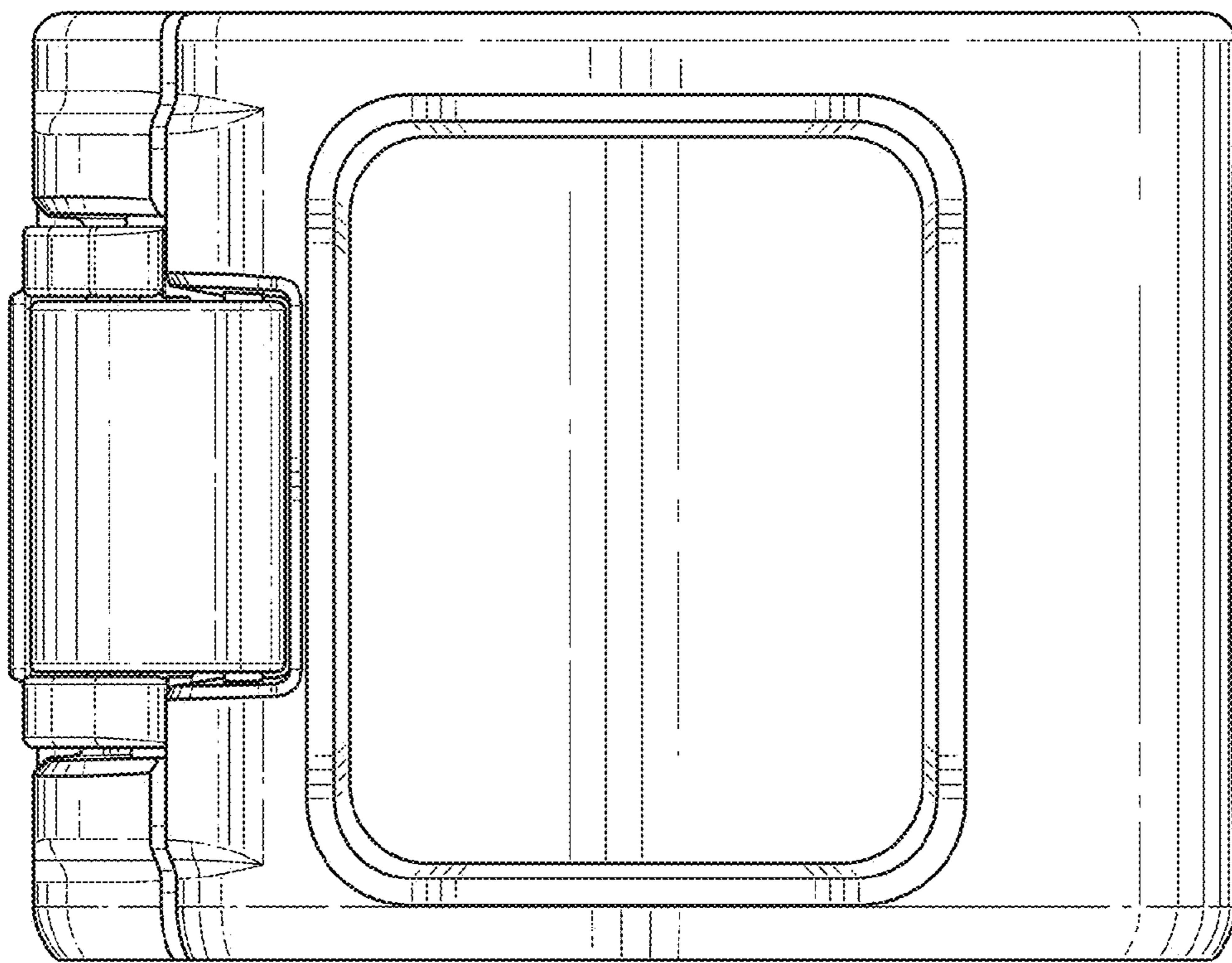


FIG. 7



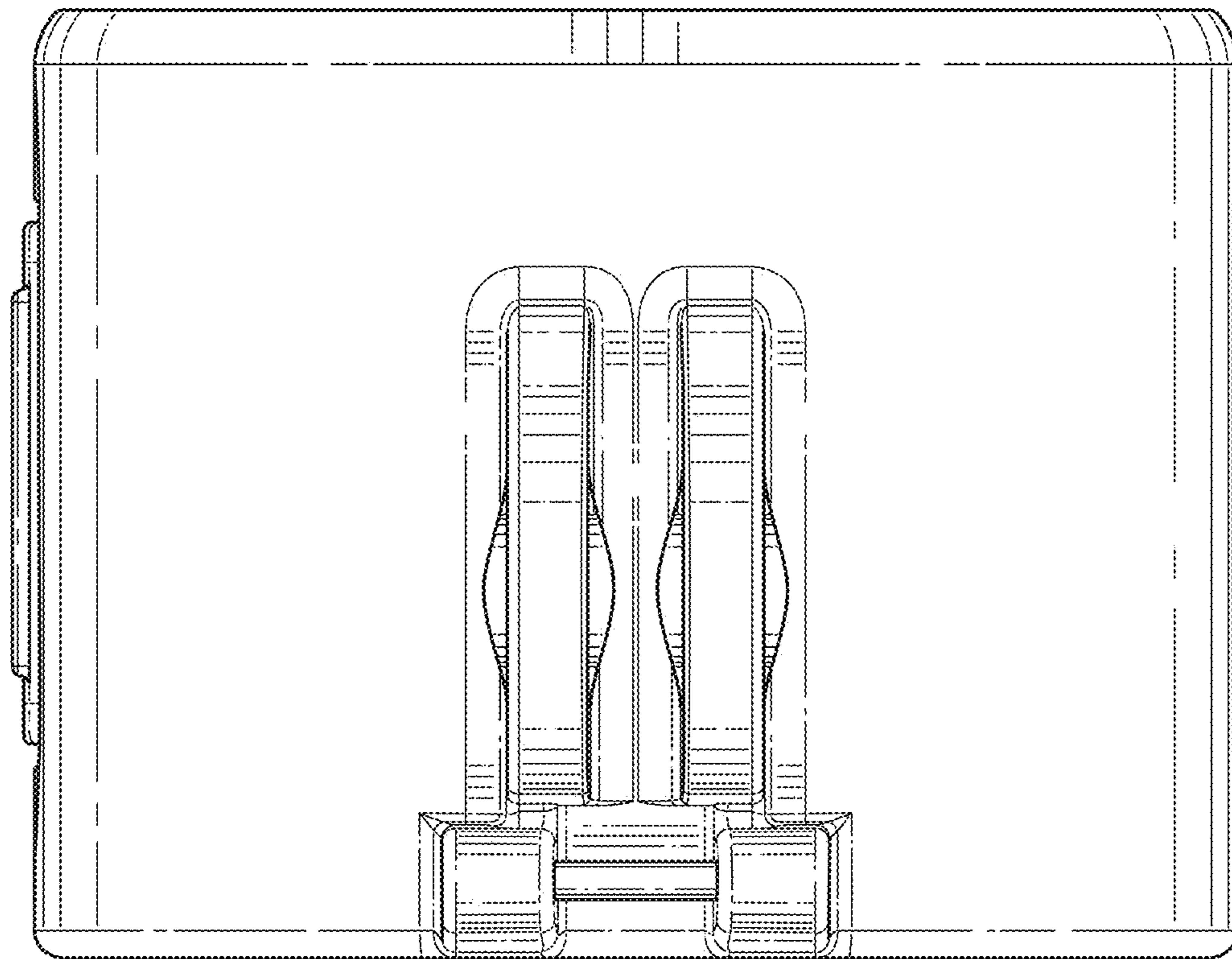


FIG. 8